

TICKER TAPE PARADE

MINI-MYSTERY - JELLY ROLL CHALLENGE BY MICHELLE RENEE HIATT

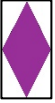
CLUE #5

OVERVIEW: HALF SQUARE TRIANGLES, RECTANGLES AND SQUARES

- Tools Needed -Diamond Rects
- Techniques - Diamond Rectangles

For this clue; you will use the Group 4 of your Jelly Roll Groups. For a pictorial on Diamond Rectangle triangles, check out this week's [Sew On the Go Blog post](#).

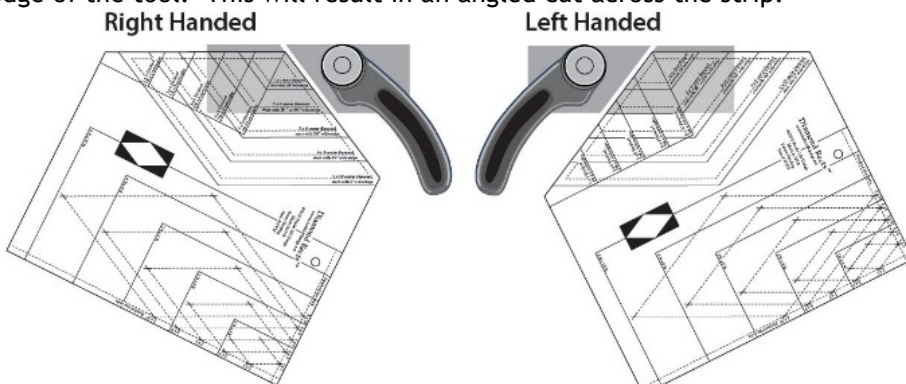
- Basic instructions are provided below. If you need additional information, refer to the instructions that came with the Diamond Rects

	UNIT	# OF UNITS	FABRIC	CUT
A	Diamond Rects 	44	Jelly Roll - Group 4 (Bright)	(8) 2 ½" x WOF Strips; <input type="checkbox"/> For Group 4, sub cut each strip into (2) HWOFF Strips (approximately 2½" x 20 ½"). <input type="checkbox"/> <i>Label & set aside one subset of Group 4 HWOFF Strips for a later Clue.</i> <input type="checkbox"/> The other subset of Group 4 HWOFF Strips will be used in Step 1
			Background	(5-6) 3" x WOF Strips - Depends on your width of fabric. <input type="checkbox"/> Sub cut into (88) 2 ¼" x 3" Rectangles

DIAMOND RECTS

CUTTING THE CENTER DIAMONDS

1. **Gather** the (8) HWOFF 2 ½" Strips, trim off the selvage. Place (1) strip at a time either right side up or right side down on your cutting mat. This will be a precision cut, it's very important that every diamond is the perfect size.
2. **Align** the 2" x 4" Center Diamond guidelines of the Diamond Rects tool with the raw edge of the strip as shown in the illustrations. Make sure the entire 2" x 4" Diamond has fabric beneath it. Cut along the side angled edge of the tool. This will result in an angled cut across the strip.



3. **Rotate** the first cut piece 180° to make the second diagonal cut near the trimmed selvage edge. Once again, aligning the 2" x 4" Center Diamond guidelines of the Diamond Rects tool with the just cut edge and the

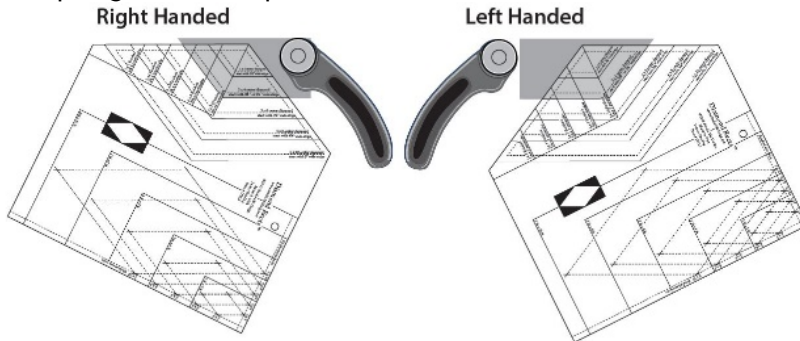
©Michelle Renee Hiatt and Sew on the Go (www.sewonthego.net)

All rights reserved. No part of this pattern may be photocopied or reproduced in any form without prior written consent from: Michelle Renee Hiatt and **Sew On the Go**.

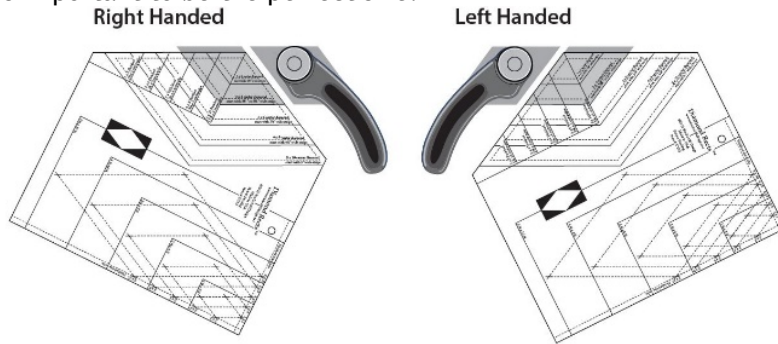
TICKER TAPE PARADE

MINI-MYSTERY - JELLY ROLL CHALLENGE BY MICHELLE RENEE HIATT

bottom of the Strip. You will need to cut along both angled edges of the tool, trimming just a few threads from the top edge of the strip.



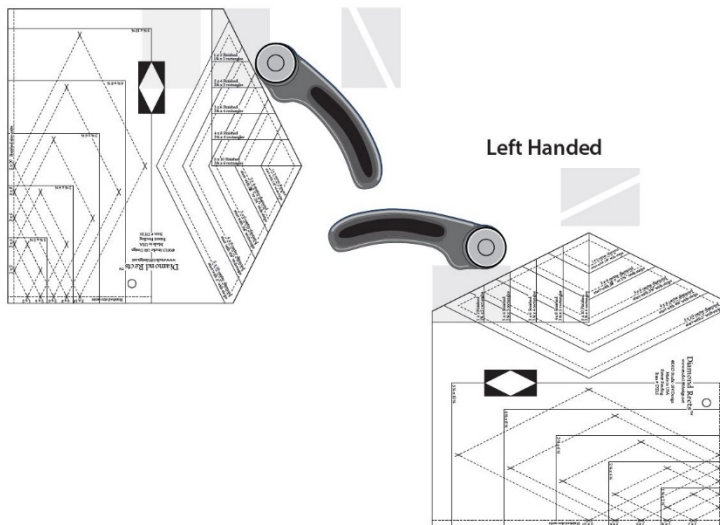
4. **Then continue** to make cuts along the remaining length of the strip. You will need to cut (6) Diamond Centers from (4) strips and (5) Diamonds Centers from (4) strips. Continue through additional strip(s) until you have (44) Center Diamonds. Don't forget to make that second cut along the top, it may just be a few threads, but it is important to be the perfect size.



CUTTING THE SIDE TRIANGLES

5. **Gather** the (88) Background Rectangles.
6. **Pair in groups of two (2)**, placing **wrong sides together for each pair**, which is required in order to create mirror image Side Triangles.
7. **Trim.** Using the side triangle cutting section, position the Diamond Rects tool for 2" x 4" finished guidelines against the raw edges of the stacked paired Rectangles and cut along the slanted edge of the tool.

Right Handed



Tip from Michelle – Consider opening the Side Triangles, as you go, placing them right sides up on a paper plate. This will help keep you organized and set up for success for the next few steps.

©Michelle Renee Hiatt and Sew on the Go (www.sewonthego.net)

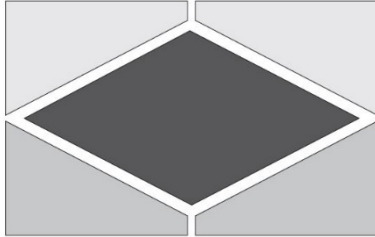
All rights reserved. No part of this pattern may be photocopied or reproduced in any form without prior written consent from: Michelle Renee Hiatt and **Sew On the Go.**

TICKER TAPE PARADE

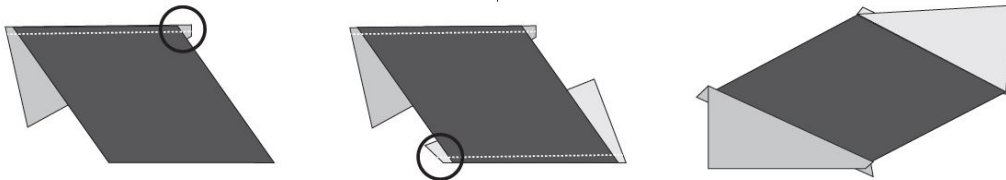
MINI-MYSTERY - JELLY ROLL CHALLENGE BY MICHELLE RENEE HIATT

CONSTRUCTION THE DIAMOND RECTS

8. **Lay out** all the pieces of the unit, as shown below, right sides up as they are going to be sewn. Make sure you double check that your Side Triangles are laid out so that the 90° angles of the side triangles are on the outside edge, forming a rectangle.

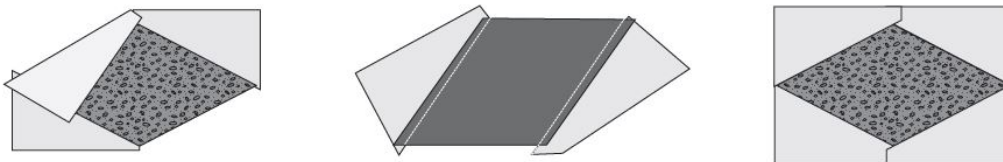


9. **Stitch** two opposite Side Triangles to opposite edges of the Center Diamond. Align the raw edges and basically center the Diamond over the Side Triangle edge, **give a little extra Side Triangle to the wide angle** of the Center Diamond. Sew with the Center Diamond on top and use your best 1/4" seam. Press away from the Center Diamond. Repeat for all Diamond Centers.



Tip from Michelle – Trim the dog ears from the first two Side Triangles prior to sewing on the last two side triangles. It lessens the bulk and creates a straighter seam.

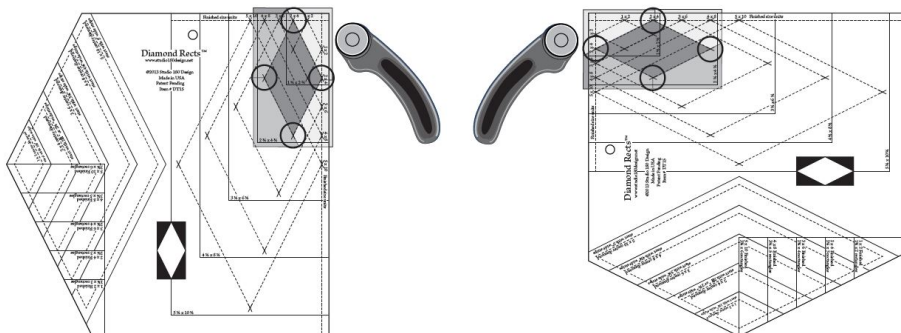
10. **Align** and stitch the remaining two Side Triangles to the raw edges of the Center Diamond, just like you did with the first two Side Triangles. Remember to stitch with the Center Diamond on top. Press away from the Center Diamond.



11. **Place** the unit face up on a cutting mat. Position the trim down side of the tool on the unit, aligning the Xs for the 2" x 4" finished size and the dashed lines with the seam intersections and the sewn seams.

Right Handed

Left Handed



©Michelle Renee Hiatt and Sew on the Go (www.sewonthego.net)

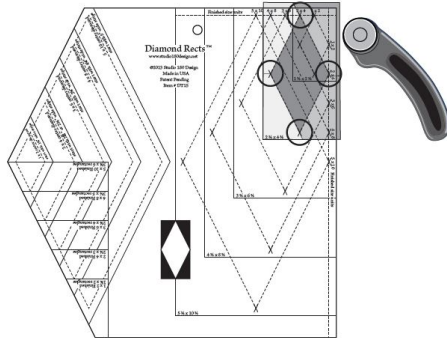
All rights reserved. No part of this pattern may be photocopied or reproduced in any form without prior written consent from: Michelle Renee Hiatt and **Sew On the Go.**

TICKER TAPE PARADE

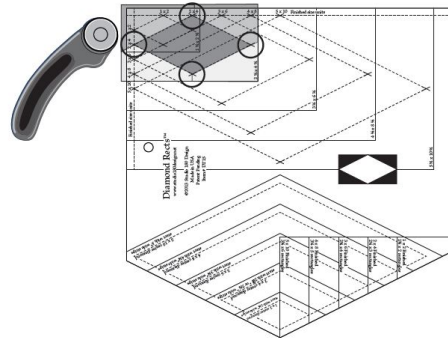
MINI-MYSTERY - JELLY ROLL CHALLENGE BY MICHELLE RENEE HIATT

- Trim 2 sides of the unit. Then lift the tool, rotate the unit 180 degrees, and reposition the tool. This time align the just cut edges with the 2 ½" x 4 ½" box along with the 2" x 4" Xs and the dashed lines. Trim the remaining two sides. Repeat for all (44) Diamond Rect units.

Right Handed



Left Handed



- You should have (44) Diamond Rectangles units (2 ½" x 4 ½" Cut).
- Label and set aside. You are now ready for the next Clue.**