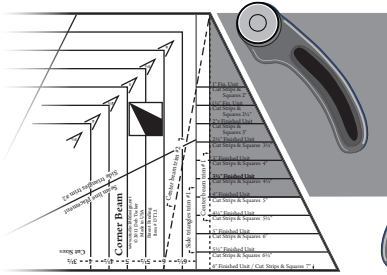


Corner Beam (Large) Unit Instructions

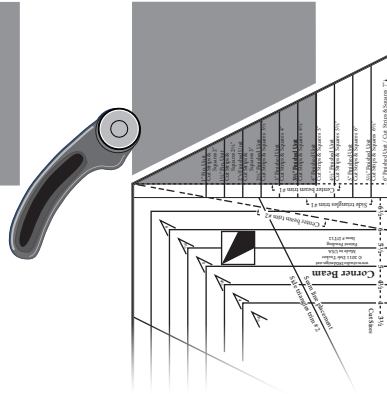
Cutting the Center Beams

54. **Gather** the (32, 48, 72, 128) Medium Blue 5" squares, you will use the Corner Beam tool to precision cut (32, 48, 72, 128) Center Beams.
55. **Cut** the Center Beam, by layering the Medium Blue Squares no more than two layers deep. Align the Center Beam Trim #1 line on your Corner Beam tool and the 4" finished unit line with the raw edge of your stack of Squares. Trim.

Right Handed

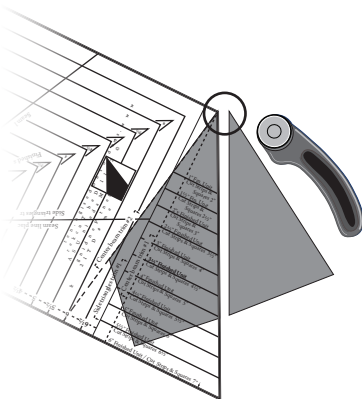


Left Handed

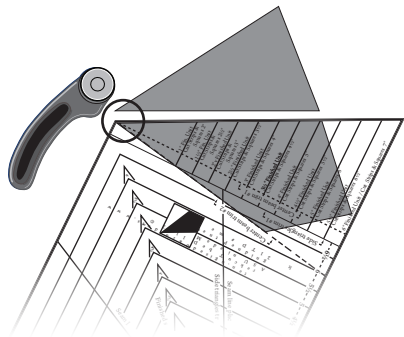


56. **Rotate** and trim again. Lift and reposition the Corner Beam tool, aligning the dashed line labeled Center Beam Trim #2 with the previously trimmed angled edge and take the time to align the corner tip. Trim again. Repeat steps 55 and 56 for all (32, 48, 72, 128) Center Beams.

Right Handed



Left Handed

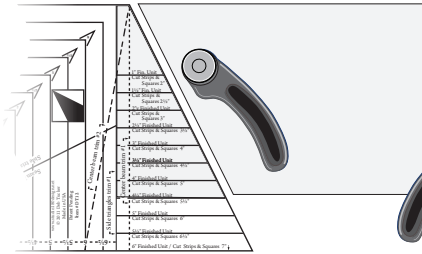


Tip from Michelle — Consider saving the fabric pieces you cut away to use as Side Triangles for smaller Corner Beam, V-Block, or Split Rects units at a later time.

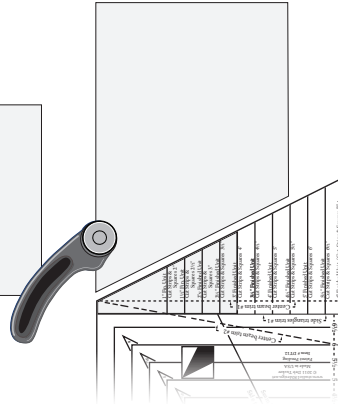
Cutting the Side Triangles

57. **Gather** the (3, 4, 6, 11) 5" Background strips. Fold each of the strips in half, placing wrong sides together on the cutting mat and trim off the selvage of each strip.
58. **Position** the Side Triangles Trim #1 line on your strips, lining up the 4" finished unit line on the tool with the bottom raw edge of the strip. Trim.

Right Handed

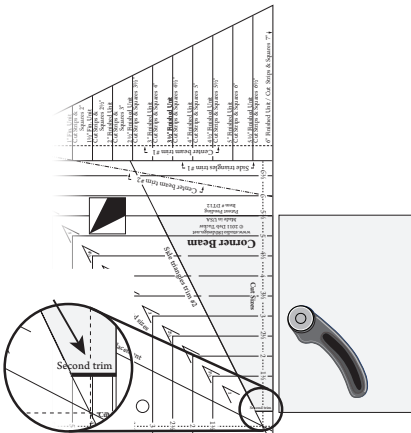


Left Handed

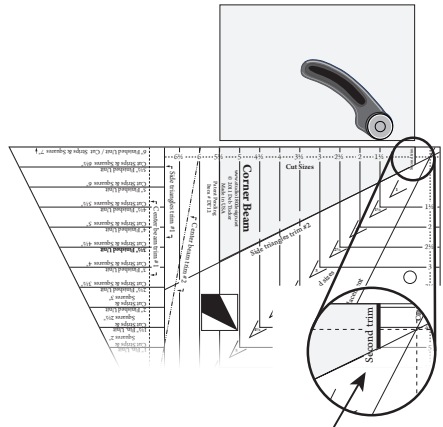


59. **Rotate** and trim again. Rotate the Corner Beam tool and position the Side Triangle Trim #2 line on the edge of the strip you just trimmed, making sure the bottom of your strip is lined up along the second trim line. Trim. Repeat until you have (32, 48, 72, 128) pairs of Side Triangles.

Right Handed



Left Handed

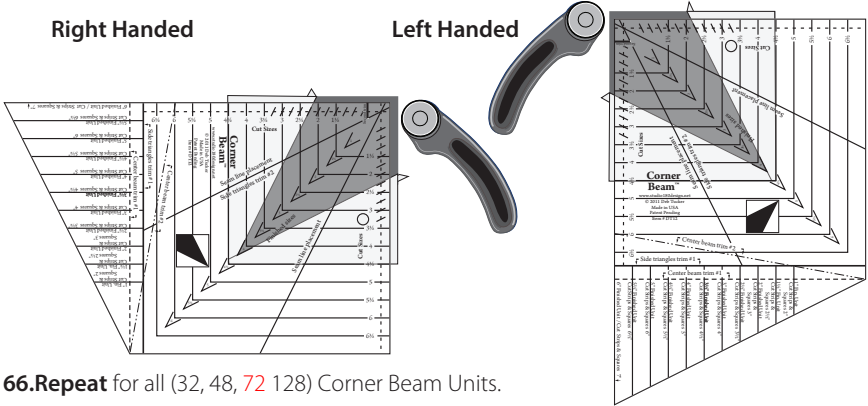


Tip from Michelle — Consider separating the Side Triangles, as you go, placing them right sides up on a paper plate. This will help keep you organized and set up for success for the next step.

65. **Rotate** your unit. Align the cleanup lines for the 4 1/2" cut size with the cut edge and the V shaped guideline with the seam intersection. Trim.

Right Handed

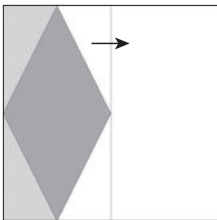
Left Handed



66. **Repeat** for all (32, 48, 72, 128) Corner Beam Units.

Assembling Small Diamond and Rectangle Sections

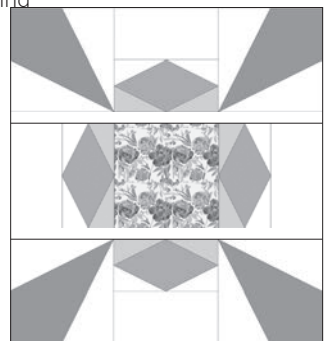
67. **Gather** the (24, 38, 60, 112) Small Diamond Rect units, and the (24, 38, 60, 112) Background Rectangles.
68. **Sew** the Small Diamond Rects units to the Background Rectangles and press towards the Background Rectangles.



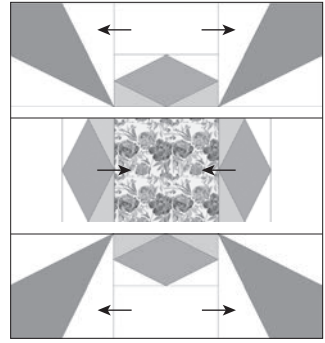
Constructing the Swirl Block

69. **Gather** (16, 28, 48, 96) of the Small Diamond Rects and Rectangle Sections, along with (16, 28, 48, 96) Large Corner Beams, and (4, 7, 12, 24) Center Squares. You will make (4, 7, 12, 24) Swirl blocks. Save the remaining Small Diamond Rects and Rectangle Sections and Large Corner Beam units for the Pieced Border.

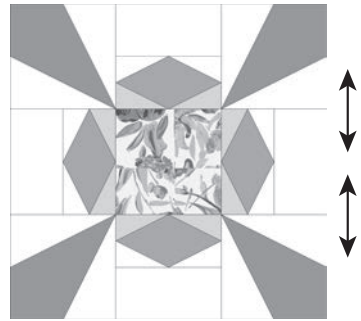
70. **Layout** units to match the diagram.



71. **Stitch** units into rows, pressing the seams towards the Corner Beams on rows 1 and 3 (or **open to alleviate bulk**) and press towards the Center Square in Row 2.



72. **Next**, sew the rows into the Swirl Blocks, pressing the seams **open to alleviate bulk**. You will make (4, 7, 12, 24) Swirl Blocks. **Your blocks should be 12 1/2" at this point.**



Quilt Assembly

Assembling Quilt Center

73. **Time to Organize**, gather the (5, 8, 13, 25) Periwinkle Blocks and the (4, 7, 12, 24) Swirl Blocks.
74. **Arrange** Periwinkle and Swirl Blocks following the diagrams on the next three pages.

Wall Center Diagram

