



FINIUM

# WALL PANELS



finium.ca

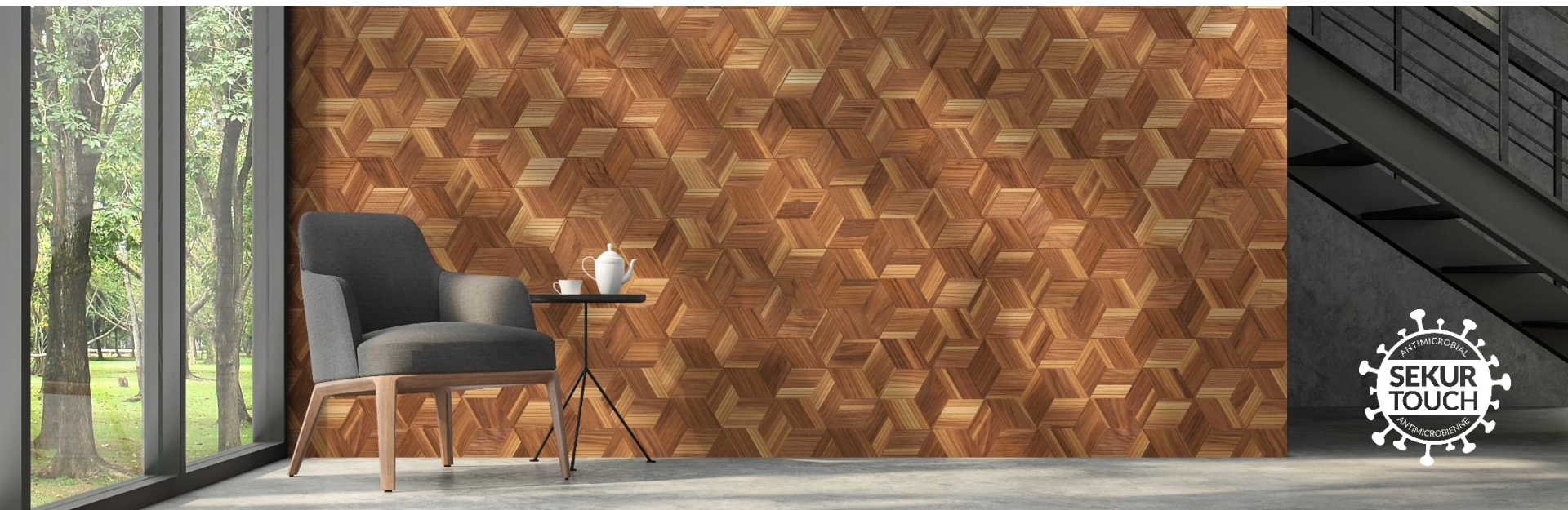


# INTERLOCKING WALL PANELS



Easy installation with glue and nails





**ANTIMICROBIAL PROTECTION**



SILEKT



KYOOB



SKWAIR



VOHG

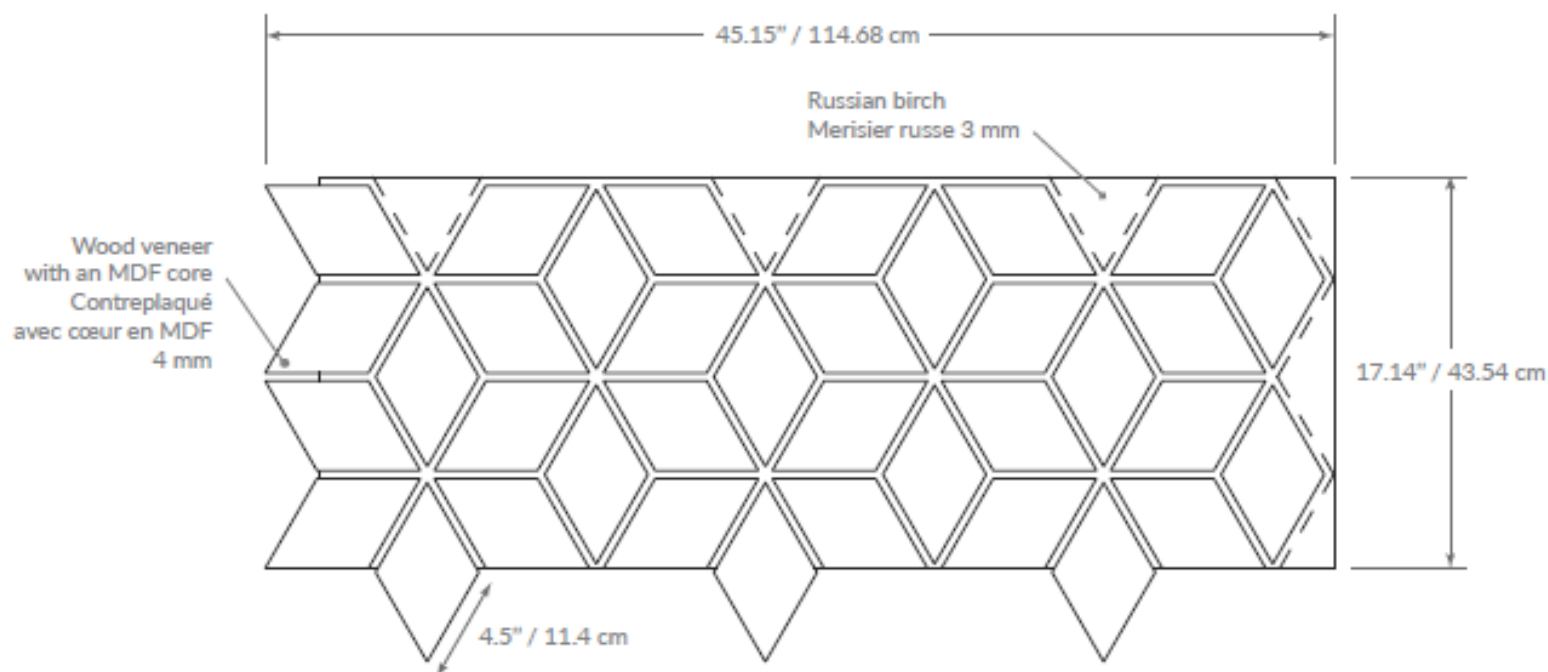


SHEEK

# KONSEPT

KYOOB

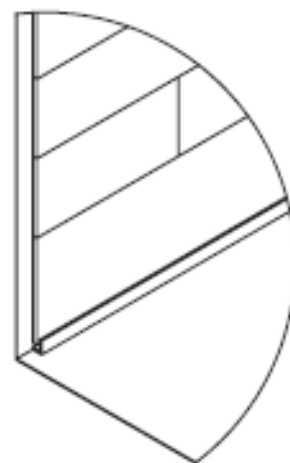
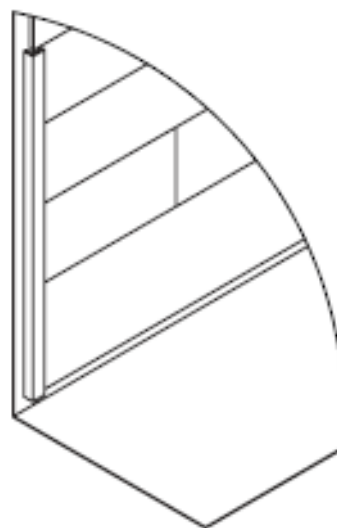
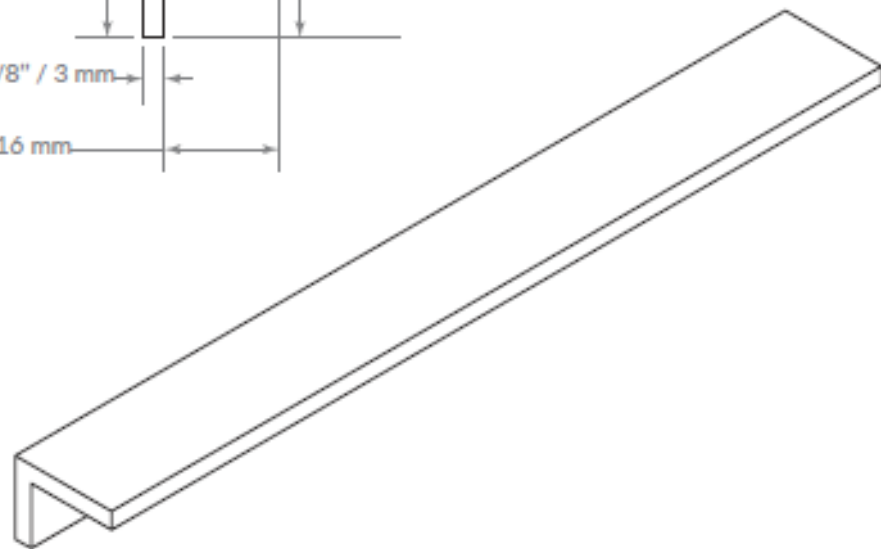
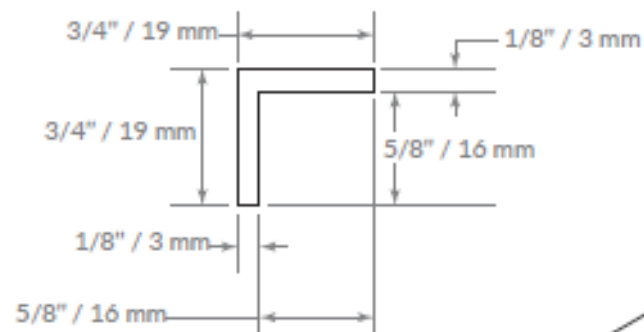
4 panels / box - 21.48 ft<sup>2</sup> / box  
4 panneaux / boîte - 21.48 pi<sup>2</sup> / boîte



# KONSEPT

KYOOB

3/4" X 3/4" X 90"





White oak veneer with a MDF core, 10% U.V. varnish

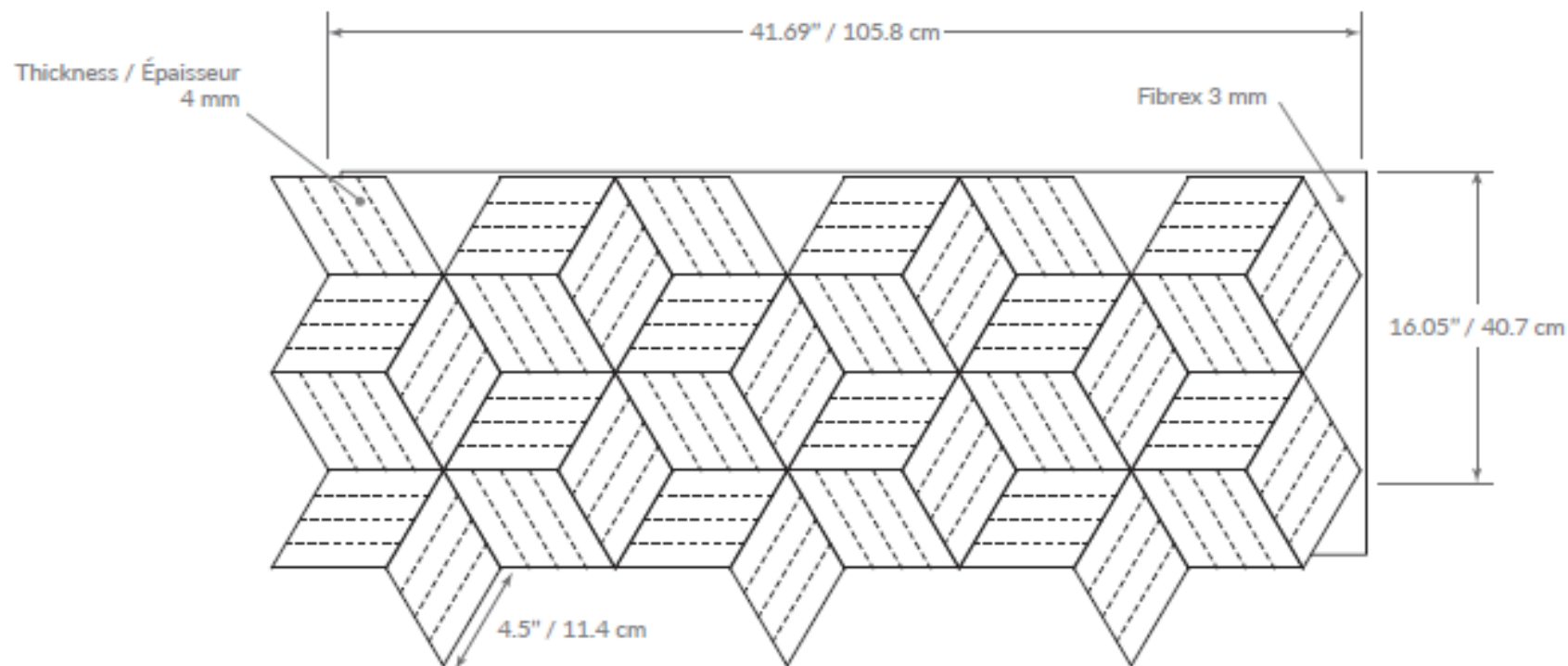
3D photo



# KONSEPT

SKWAIR

4 panels / box - 18.6 ft<sup>2</sup> / box  
4 panneaux / boîte - 18,6 pi<sup>2</sup> / boîte

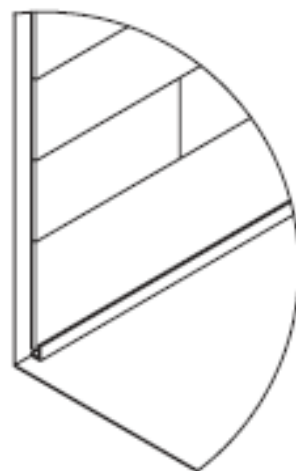
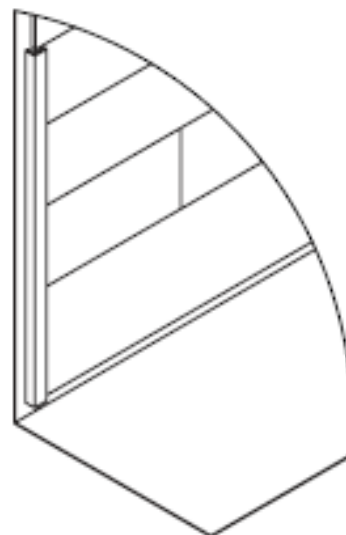
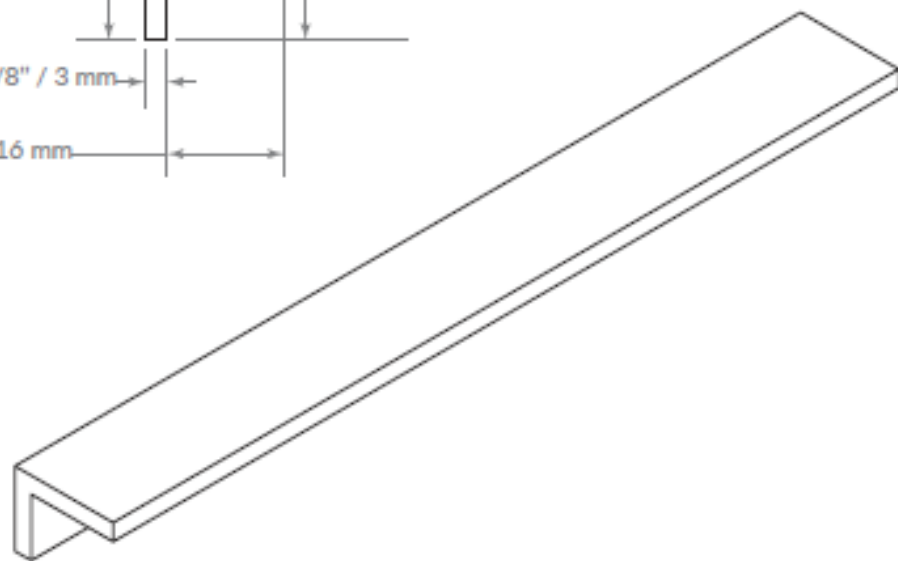
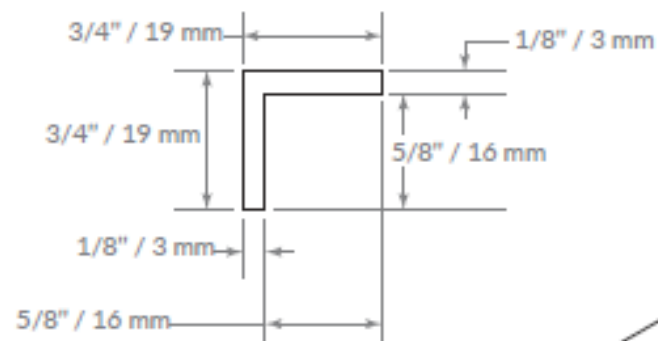




# KONSEPT

SKWAIR

3/4" X 3/4" X 90"





Walnut veneer with a MDF core, 10% U.V. varnish



**FINIUM**

KONSEPT Skwair

ANTIMICROBIAL PROTECTION



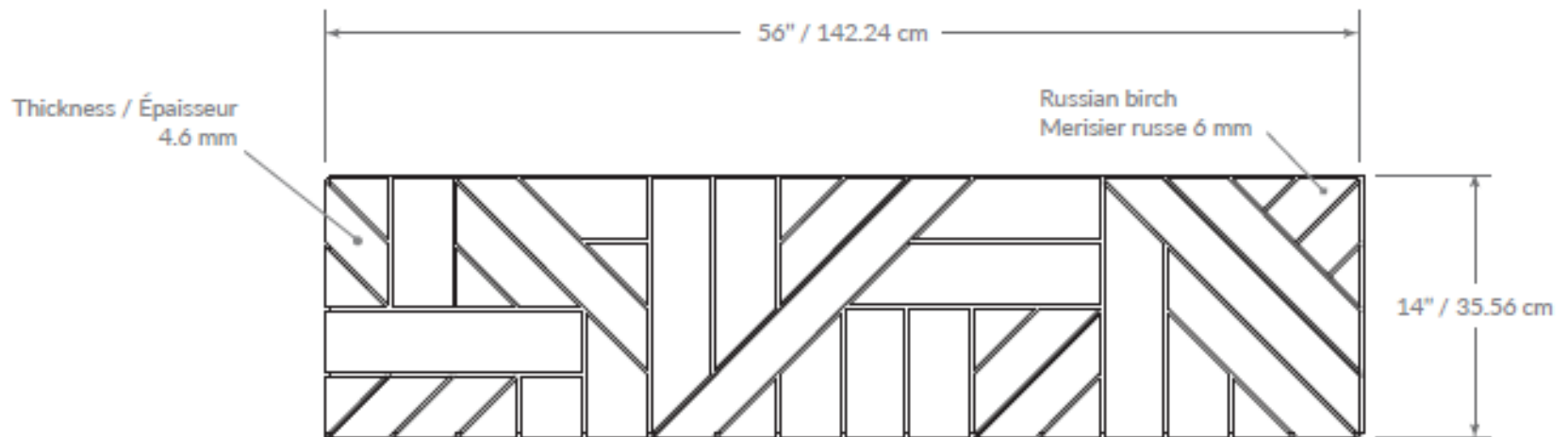
Walnut veneer with a MDF core, 10% U.V. varnish

3D photo

# KONSEPT

SILEKT

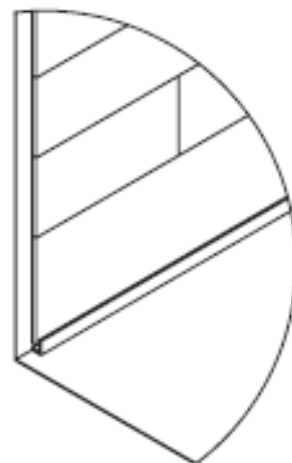
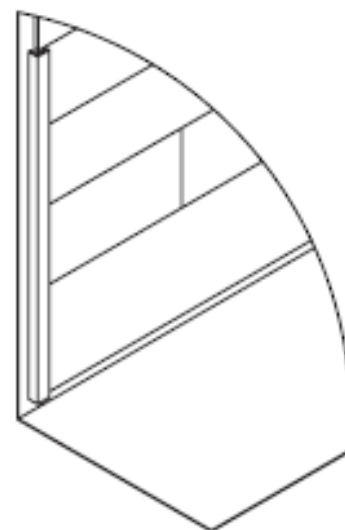
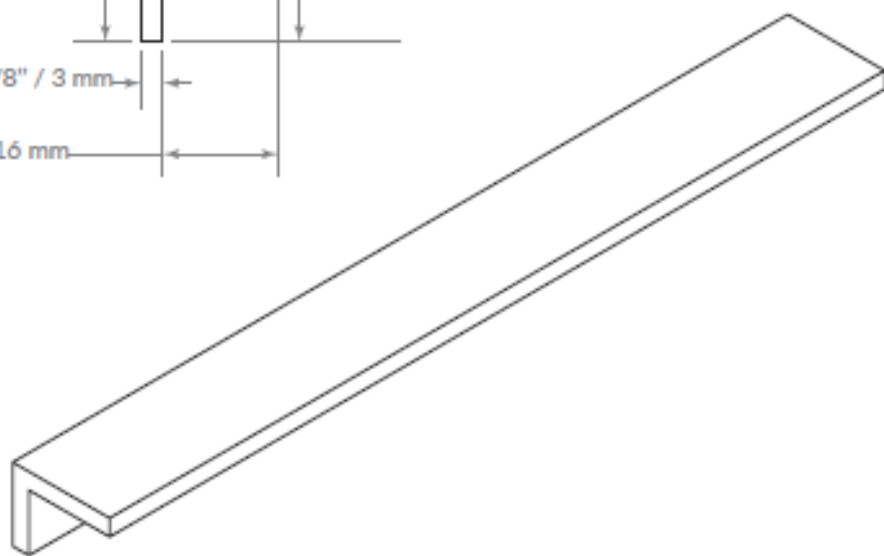
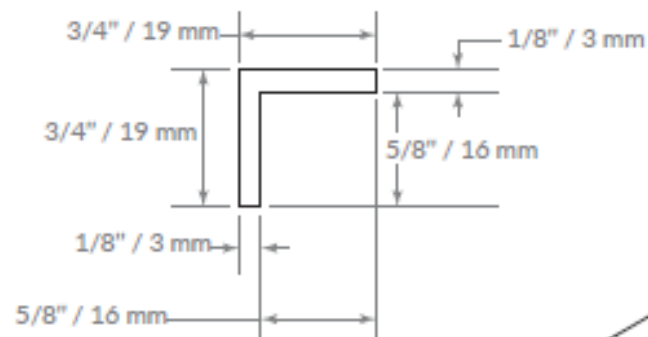
4 panels / box - 21.7 ft<sup>2</sup> / box  
4 panneaux / boîte - 21,7 pi<sup>2</sup> / boîte



# KONSEPT

SILEKT

3/4" X 3/4" X 90"





White oak veneer with a MDF core, 10% U.V. varnish

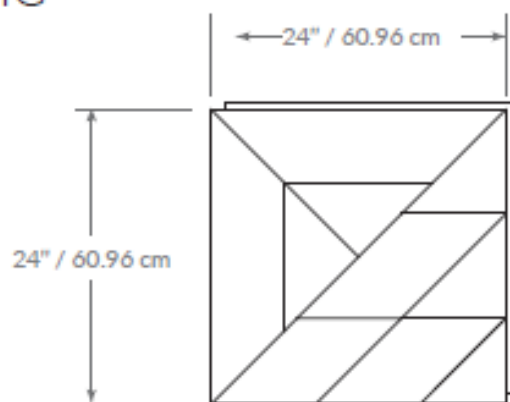


White oak veneer with a MDF core, 10% U.V. varnish

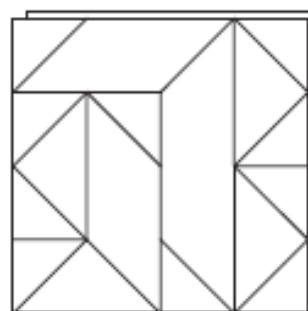
# KONSEPT

VOHG

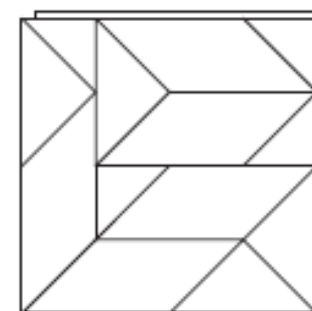
6 panels / box - 24 ft<sup>2</sup> / box  
 6 panneaux / boîte - 24 pi<sup>2</sup> / boîte



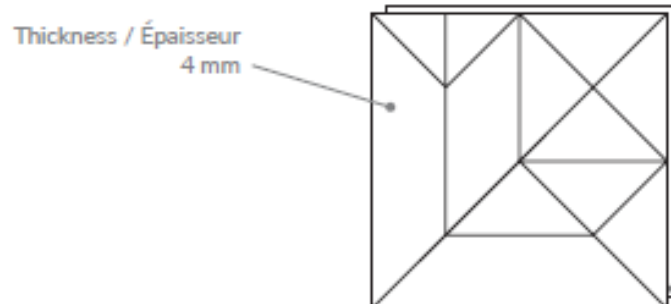
Piece / Morceau 1



Piece / Morceau 2

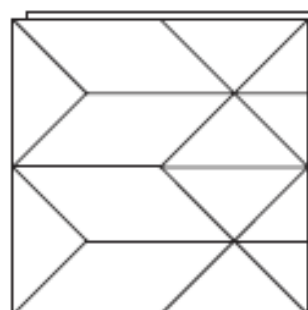


Piece / Morceau 3

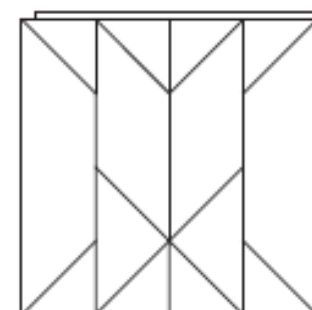


Piece / Morceau 4

Fibrex 3 mm



Piece / Morceau 5



Piece / Morceau 6

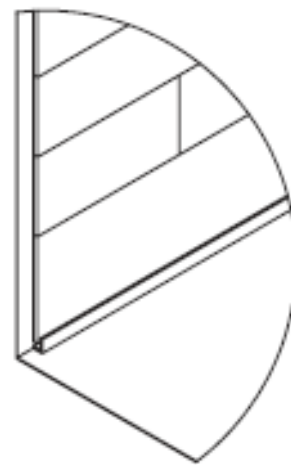
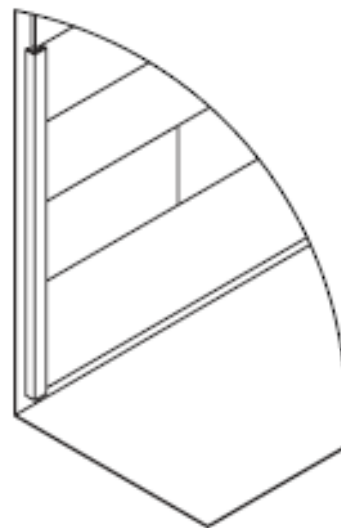
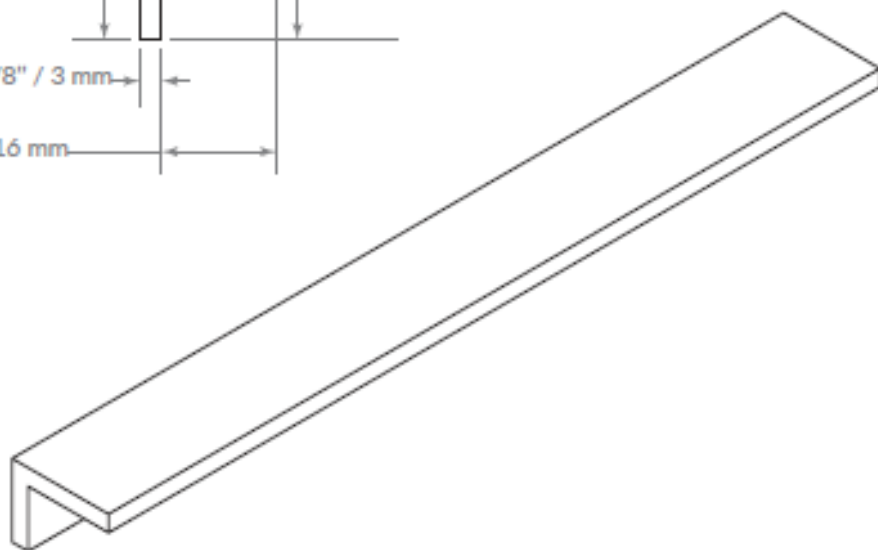
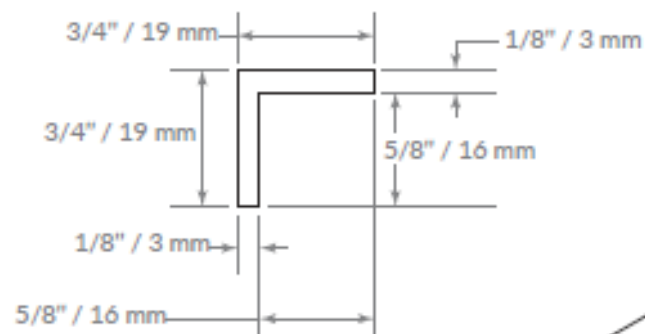




# KONSEPT

VOHG

3/4" X 3/4" X 90"





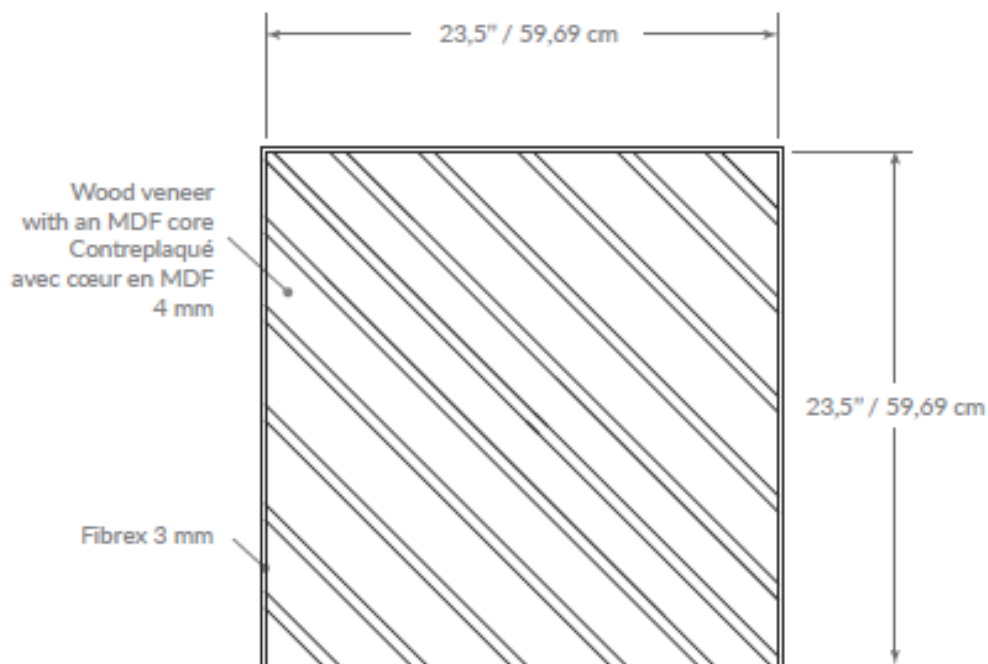


White oak veneer with a MDF core, 10% U.V. varnish

# KONSEPT

SHEEK

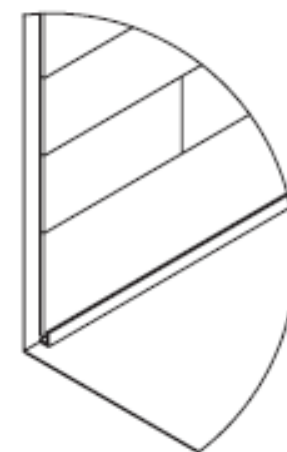
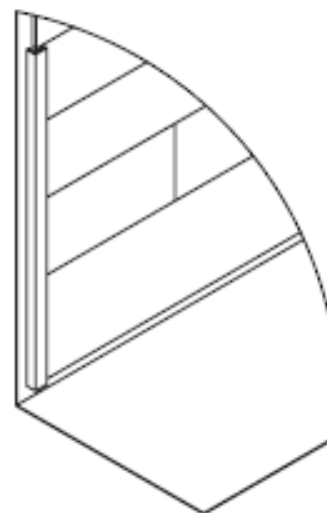
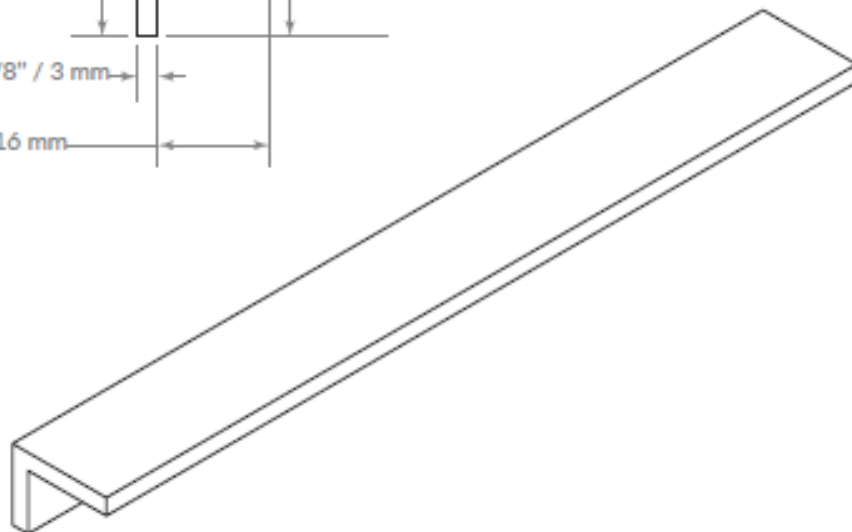
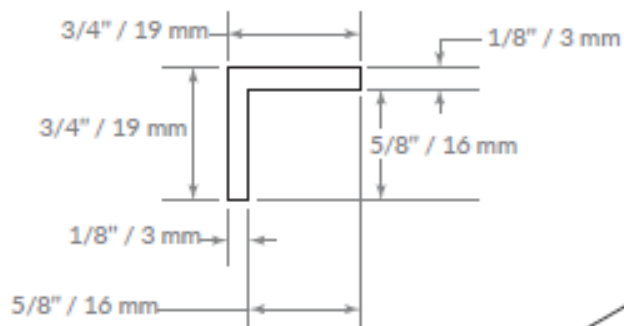
4 panels / box - 15.3 ft<sup>2</sup> / box  
4 panneaux / boîte - 15,3 pi<sup>2</sup> / boîte



# KONSEPT

SHEEK

3/4" X 3/4" X 90"





White oak veneer with a MDF core, 10% U.V. varnish

3D photo



White oak veneer with a MDF core, 10% U.V. varnish

3D photo



**BAY**



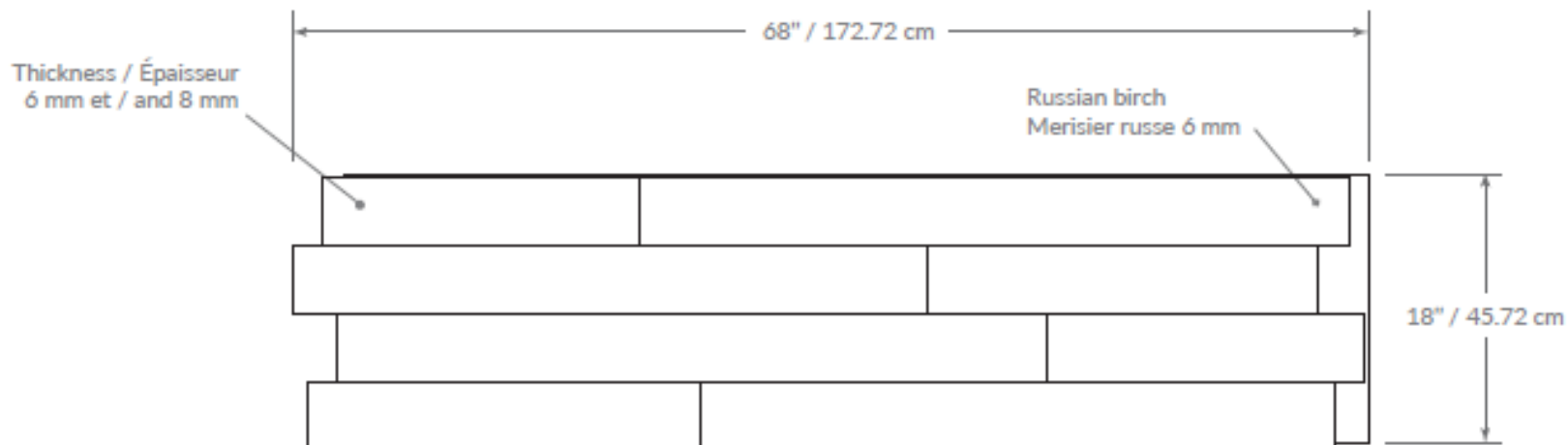
**HERITAGE**



# NOBLE

HERITAGE

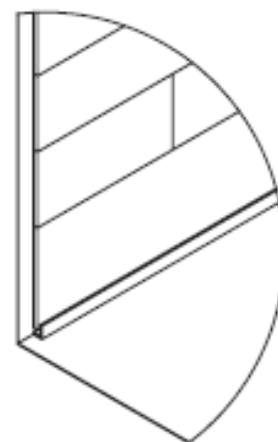
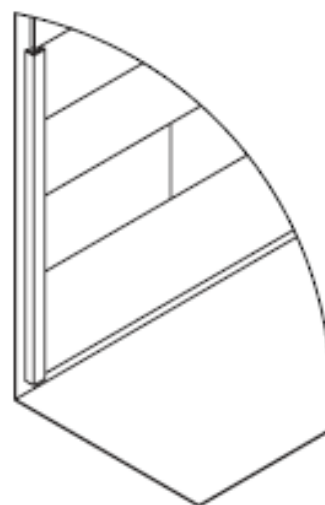
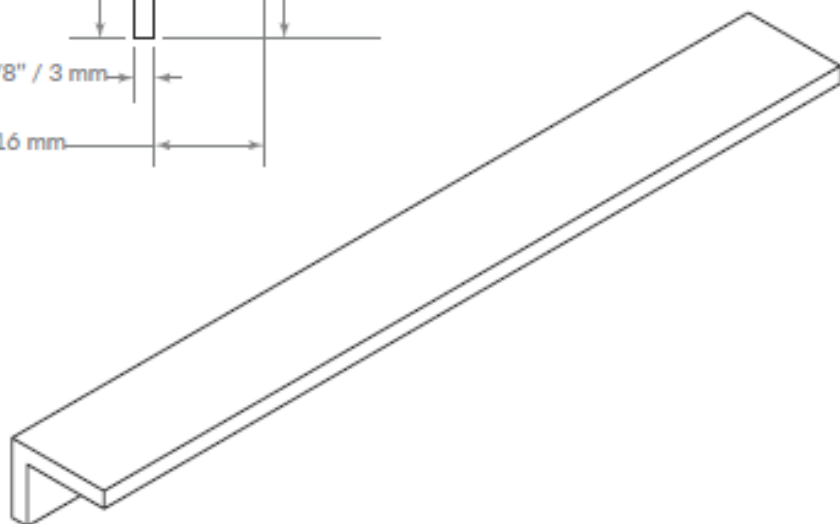
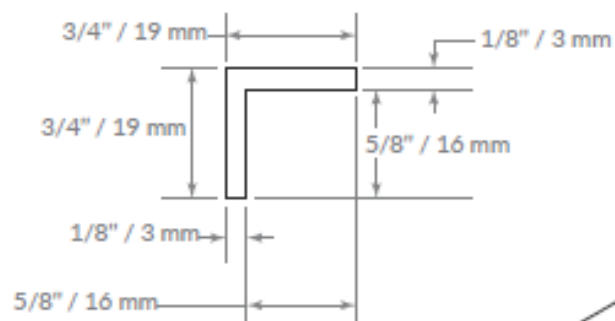
3 panels / box - 25.5 ft<sup>2</sup> / box  
3 panneaux / boîte - 25.5 pi<sup>2</sup> / boîte



# NOBLE

HERITAGE

3/4" X 3/4" X 90"



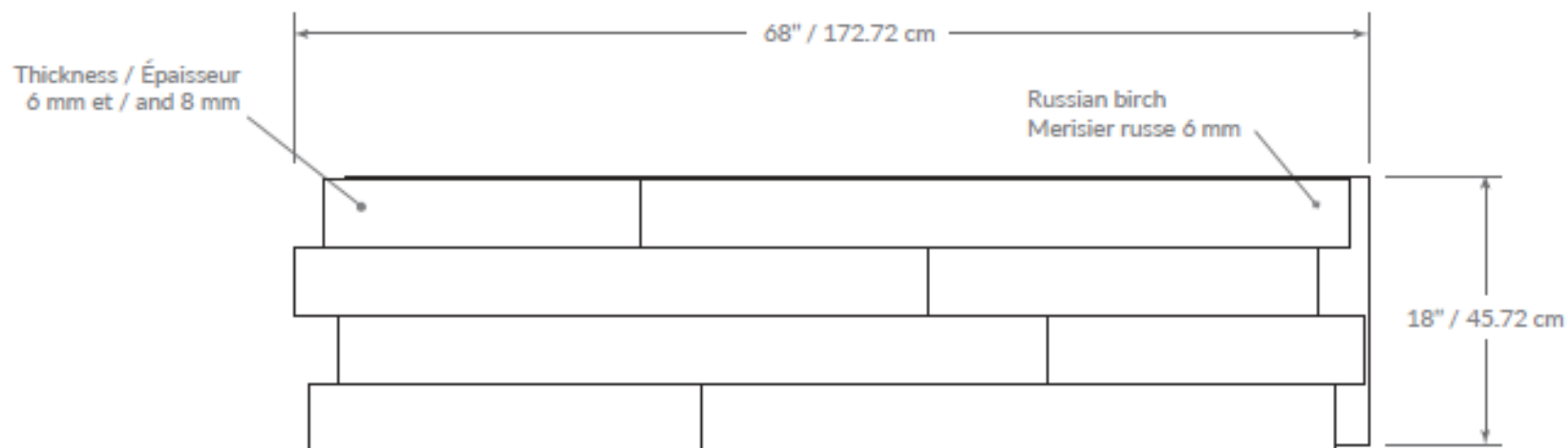


Barn wood, wire brushed, no added finish

# NOBLE

BAY

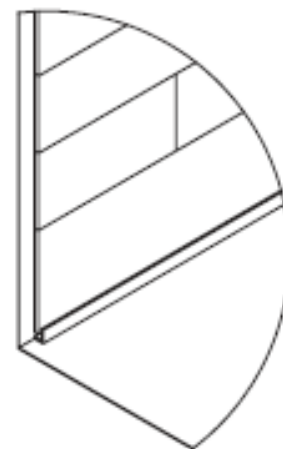
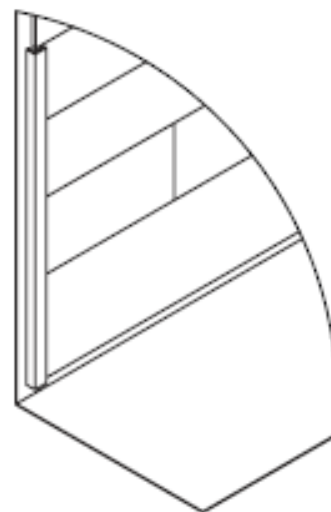
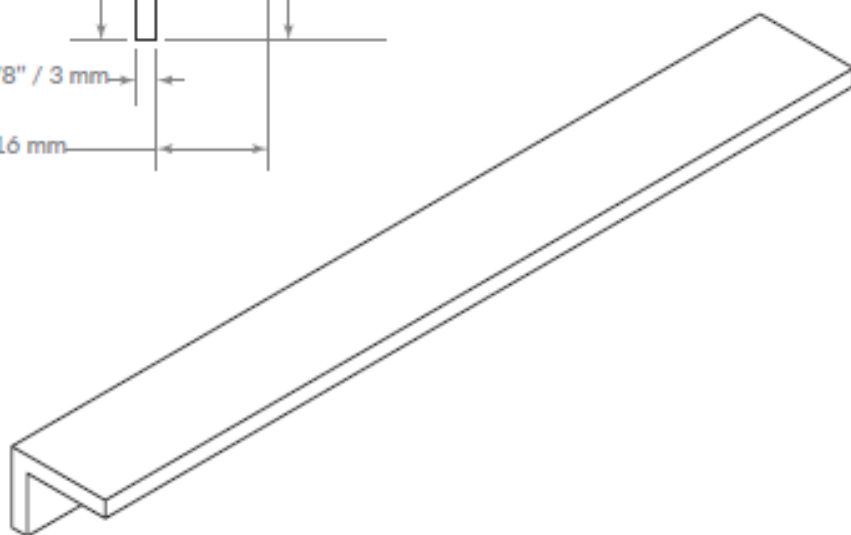
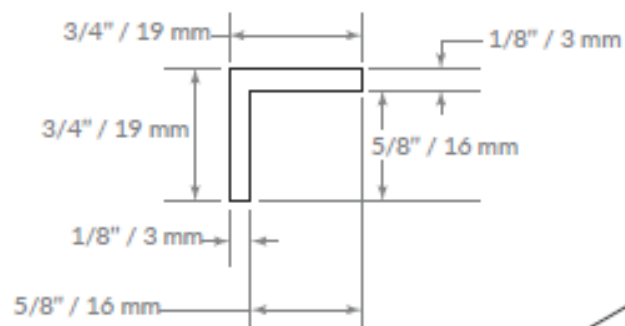
3 panels / box - 25.5 ft<sup>2</sup> / box  
3 panneaux / boîte - 25.5 pi<sup>2</sup> / boîte



# NOBLE

BAY

3/4" X 3/4" X 90"





Barn wood, stained, U.V. varnish and wire brushed



We bring your ideas to life  
Can be personalized or fully customized.

# CUSTOM WALLCOVERING



**STANDARD**

**CUSTOMIZED**

**BREEZEWAY**

species  
BARN WOOD  
color  
charcoal

**BREEZEWAY**

species  
BARN WOOD  
color  
natural



**STANDARD**

**CUSTOMIZED**

**BRACE**

species  
BARN WOOD

**BRACE**

species  
WHITE OAK



# MANUFACTURER CONTACT

## CUSTOMER SERVICE:

Mélanie Joly / 1-866-834-6486 #226 / [melanie.joly@finium.ca](mailto:melanie.joly@finium.ca)

## CUSTOM PROJECTS:

Simon Le Blanc / 1-866-834-6486 #230 / [simon.leblanc@finium.ca](mailto:simon.leblanc@finium.ca)

**Inventory:** stock in our plant / Quebec / Canada

**Ships within a day**

**Transit time for delivery:** 3 (East Coast) to 7 business days (West Coast)





