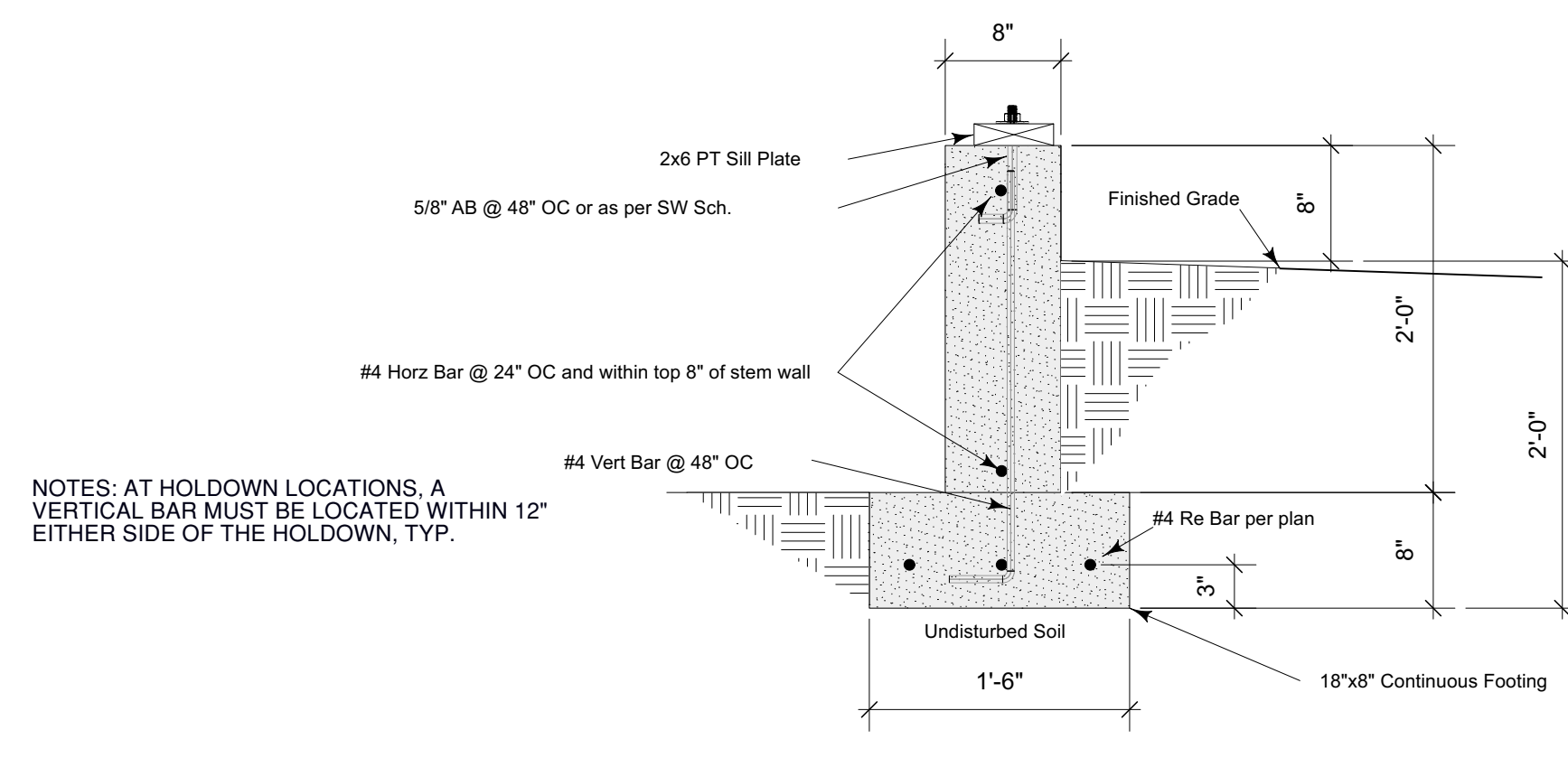
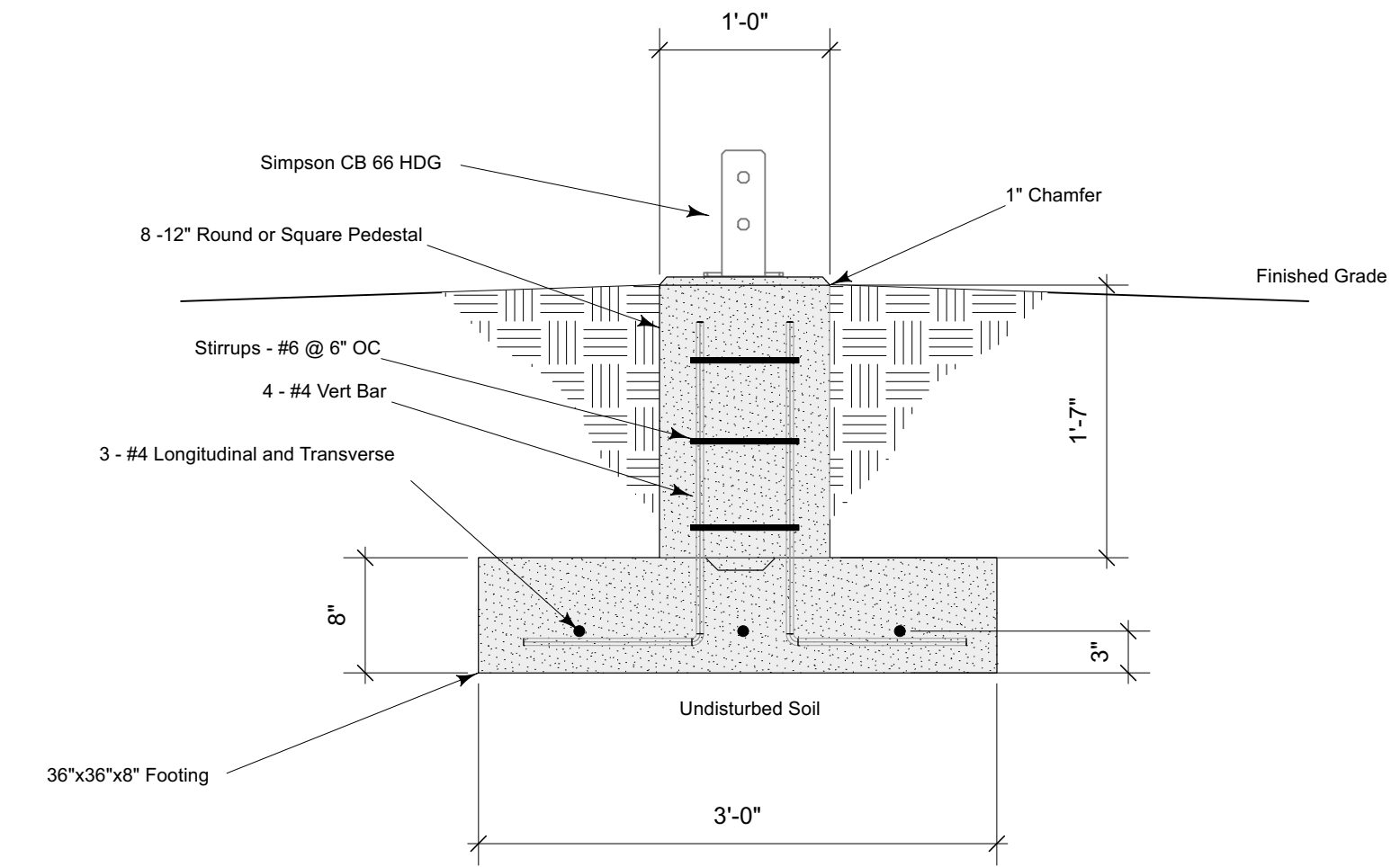


2 Pony Wall Section
Scale: 1" = 1'-0"

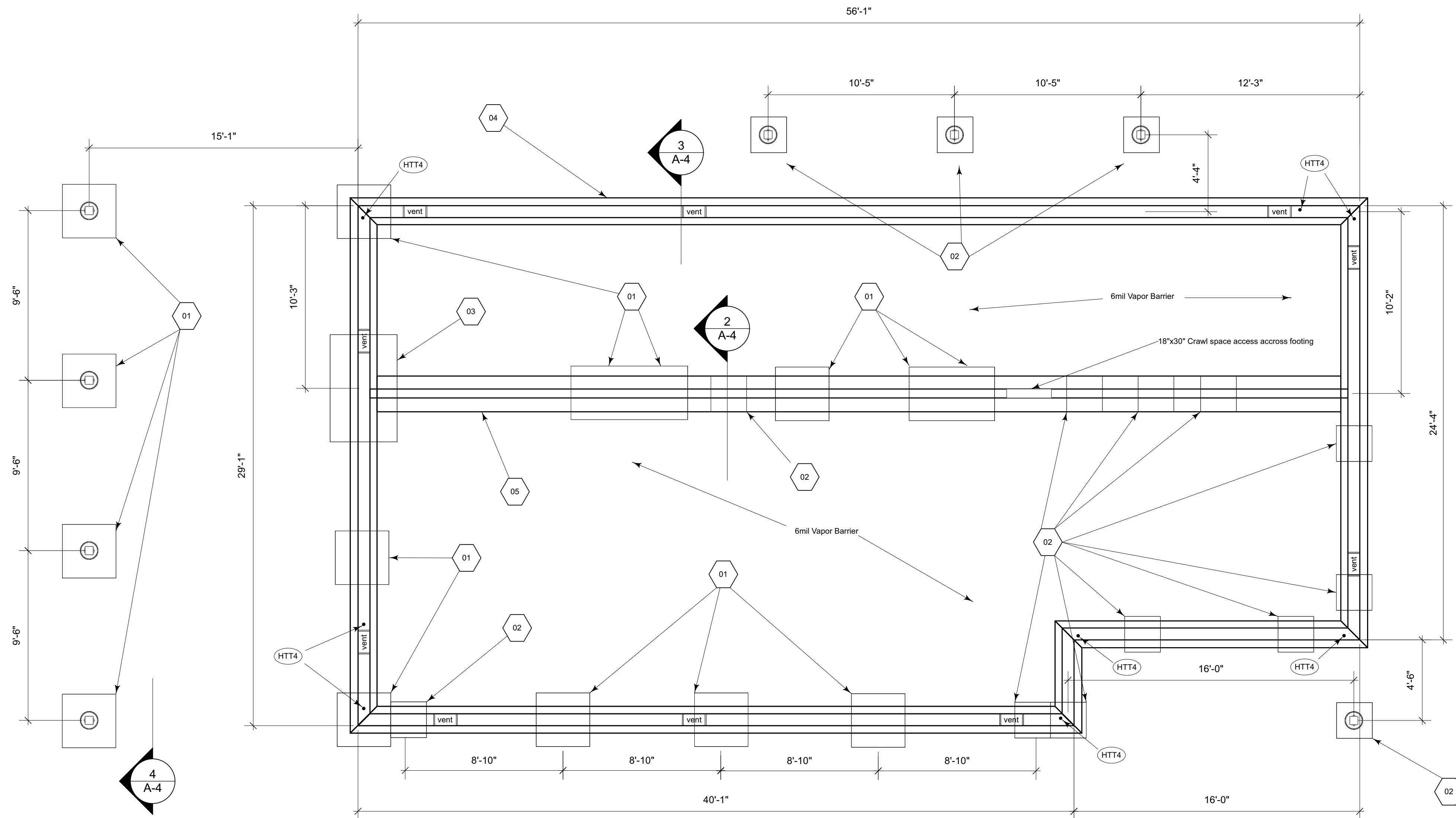


3 Footing StemWall Section
Scale: 1" = 1'-0"



4 Footing with Post Base
Scale: 1" = 1'-0"

- 01 36"x36"x8" Footing with 3 - #4 Longitudinal and Transverse
- 02 24"x24"x8" Footing with 3 - #4 Longitudinal and Transverse
- 03 45"x72"x8" Footing with 4 - #4 Longitudinal and (6) Transverse
- 04 18"x8" Continuous Footing with 3 - #4 Longitudinal
- 05 24"x8" Continuous Footing with 4 - #4 Longitudinal
- HTT4 Simpson "Heavy Tension Tie" Hold down locations
- ▭ Crawl Space Ventilation 1sqft per screened vent x10



1 Foundation Plan
Scale: 1/4" = 1'-0"

Sheet Number:	A-4	
Date:	7/10/21	Drawn by:
Sheet Title:	Foundation Plan	
Project Title:	Chartrand / DeBusk House Project	Scale:
Project Address:	44 Inclusivity Lane Glenwood WA 98619	