

MCP

MOROBE CONCRETE PIPES LIMITED

SPECIALIST IN PRE-CAST CONCRETE PRODUCTS

REINFORCED
CONCRETE BOX
CULVERT RANGE

REINFORCED
CONCRETE PIPE
RANGE

CUSTOM
PRECAST

BLOCK
RANGE

PRODUCT RANGE



**SPECIALIST IN
CONCRETE
PRODUCTS**

CONTACT US

+675 7117 6687

customerservice@morbeconcrete.com

www.mcpping.com

Morobe Concrete Pipes Limited is committed to making the best products in Papua New Guinea. Our products are produced in accordance with the relevant Australian standards and quality is independently checked through routine testing by laboratories.

MCP

MOROBE CONCRETE PIPES LIMITED

BLOCK RANGE

Over 50 different types of concrete blocks are available in either the 100mm, 150mm, 200mm or 300mm series.

200MM SERIES BLOCKS

CONCRETE BLOCKS 200 SERIES

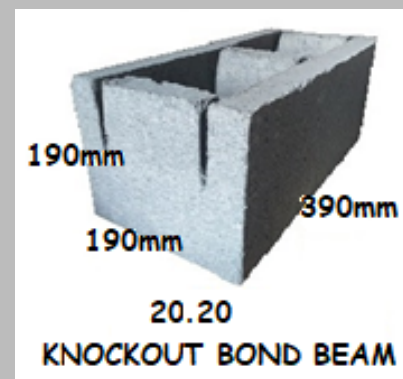
CODE	BLOCK DESCRIPTION	CODE	BLOCK DESCRIPTION
20.01	CONCRETE 200mm STANDARD BLOCKS	20.15	HALF LINTEL 200mm BLOCKS
20.01-20MPA	CON 200mm STAND BLOCKS 20MPA	20.18	DEEP LINTEL 200mm BLOCKS
20.02 Three Qtr 20MPA	200mm Series Three Qtr 20MPA	20.20	KNOCKOUT BOND BEAM 200mm BLOCK
20.03	CONC 200mm HALF BLOCKS	20.37	FULL HEIGHT SILL 200mm BLOCKS
20.03-20MPA	CONC 200mm HALF BLOCKS 20MPA	20.38	HALF HEIGHT SILL 200mm BLOCKS
20.04	CON 200mm 3/4 BLOCK	20.42	CHANNEL 200mm BLOCKS
20.07	200mm Series Capping Block	20.47	KNOCKOUT CLEANOUT 200mm block
20.12	LINTEL 200mm BLOCKS	20.51	SPLIT FACE (FULL BLOCK)

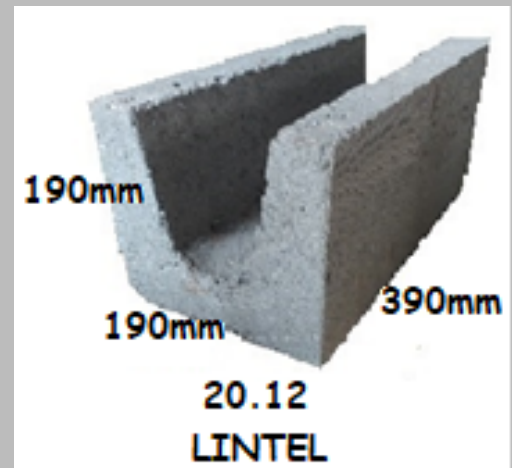
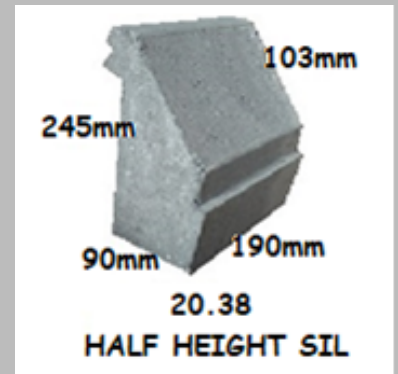
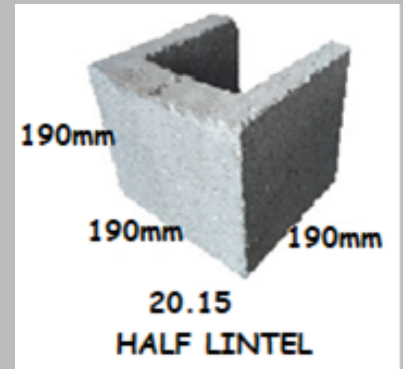
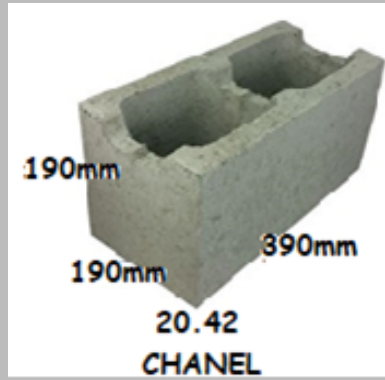
MCP

MOROBE CONCRETE PIPES LIMITED

SPECIALIST IN PRE-CAST CONCRETE PRODUCTS

200MM SERIES BLOCKS





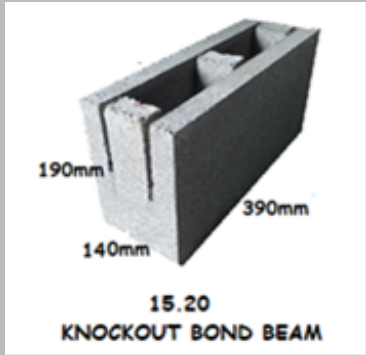
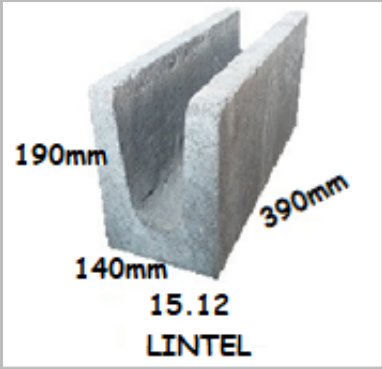
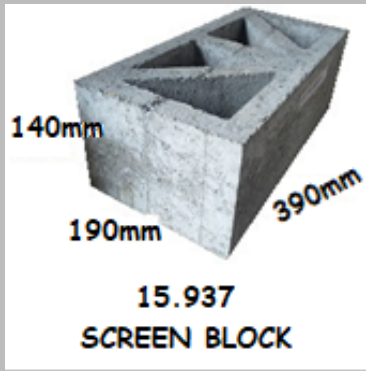
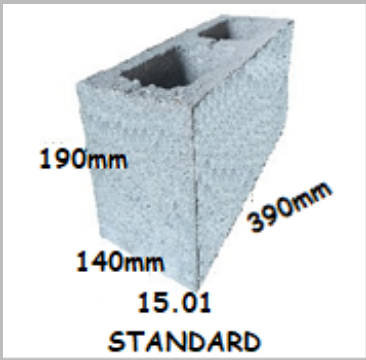
MCP

MOROBE CONCRETE PIPES LIMITED

SPECIALIST IN PRE-CAST CONCRETE PRODUCTS

150MM SERIES BLOCKS

CONCRETE BLOCK 150MM SERIES			
CODE	BLOCK DESCRIPTION	CODE	BLOCK DESCRIPTION
15.01	CONCRETE STANDARD 150MM BLOCKS	15.42	CONCRETE CHANNEL 150MM BLOCKS
15.01 (MPA20)	CON BLOCK 150mm 20MPA	15.45	CONCRETE 15.45 CLEAN OUT BLOCK
15.03	CONCRETE HALF 150MM BLOCKS	15.94	150SERIES BREEZE BLOCK
15.12	CONCRETE LINTEL 150MM BLOCK	15.94	150 Series Breeze Block 20mpa
15.20	CON KNOCK OUT BOND BEAM 150MM		



MCP

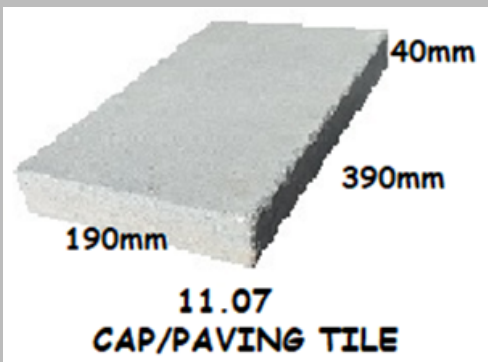
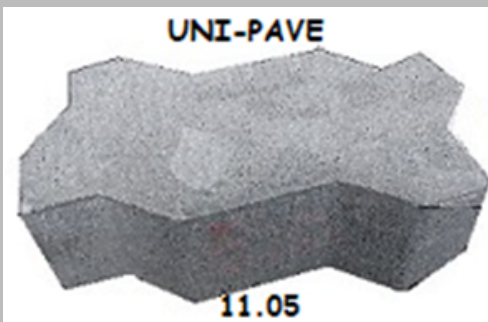
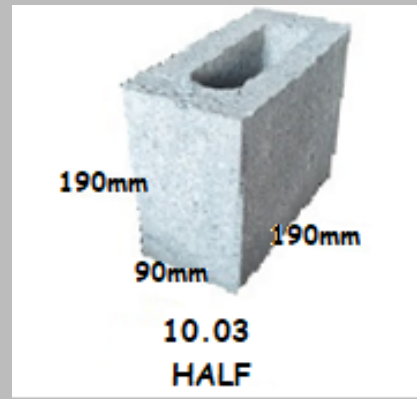
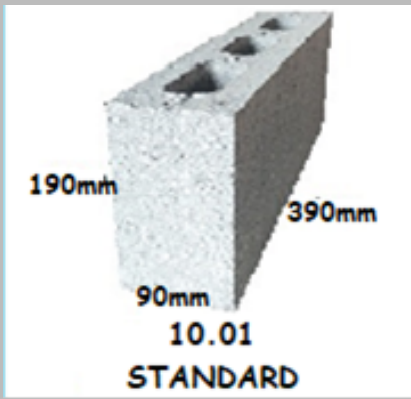
MOROBE CONCRETE PIPES LIMITED

SPECIALIST IN PRE-CAST CONCRETE PRODUCTS

100MM SERIES BLOCKS & PAVERS

CONCRETE PAVERS (OTHERS)

CODE	BLOCK DESCRIPTION	CODE	BLOCK DESCRIPTION
11.01	60mm COBBLESTONE GREY PAVERS	11.05	80mm UNIPAVE- GREY
11.02	60mm COBBLESTONE COLOURED PAV	11.06	80mm UNIPAVE - COLOURED
11.03	80mm unidecor-grey	11.07	40mm CAP/PAVING TILE
11.04	80mm UNIDECOR- COLOURED		



MCP

MOROBE CONCRETE PIPES LIMITED

SPECIALIST IN PRE-CAST CONCRETE PRODUCTS

300MM SERIES BLOCKS

CONCRETE BLOCK 300 SERIES

CONCRETE BLOCK 300 SERIES		
CODE	BLOCK DESCRIPTION	
30.01	CONCRETE 300mm STANDARD BLOCKS	
30.03	CONCRETE 300mm HALF BLOCKS	

MCP

MOROBE CONCRETE PIPES LIMITED

SPECIALIST IN PRE-CAST CONCRETE PRODUCTS

CUSTOM PRECAST

If you have any specific custom pre-cast requirements. We can assist with producing these to meet your design specification. For further information please contact our sales teams on the email below.

sales@mcppng.com

