

# LANDELA INVESTMENTS COMPANY PROFILE

Your trusted supplier of drifters, spare components,  
hydraulic & drive-train components.



# INDEX

- 1. Our Mission**
- 2. History**
- 3. What We Do**
- 4. Drive-Train Components**
- 5. Brands We Represent**
- 6. Our Guarantee**
- 7. Distributor Agreements**
- 8. BEE Certificate**
- 9. Contact Us**

# ABOUT OUR MISSION

LANDELA  
INVESTMENTS (PTY) LTD



To provide high quality  
products at an  
affordable  
price



To conduct  
ourselves with  
integrity, honesty &  
ethics



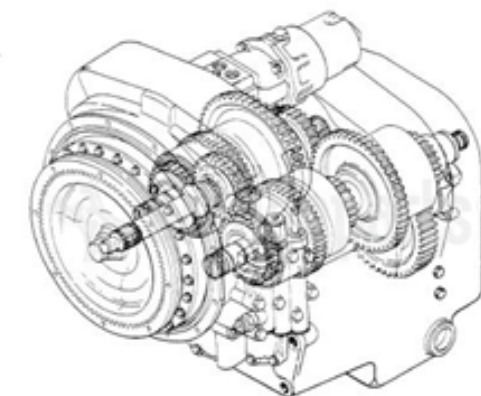
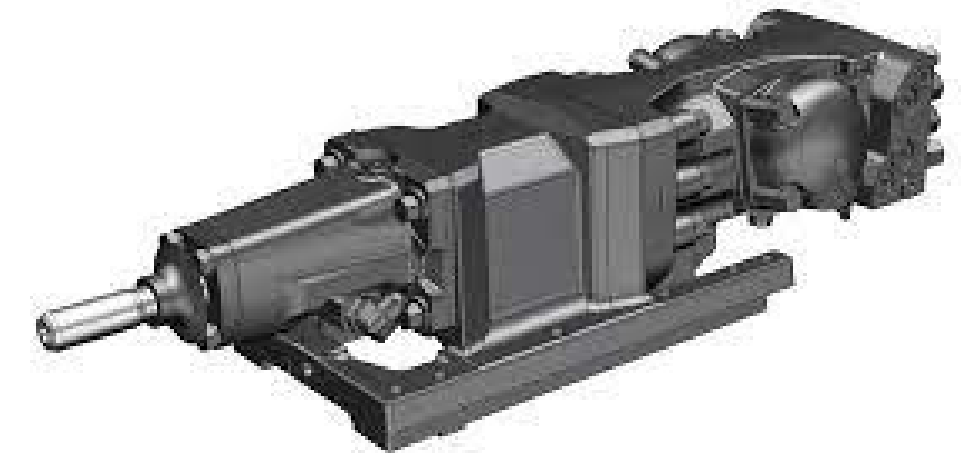
To provide excellent  
customer service

# WELCOME TO OUR COMPANY HISTORY

The company was established in 2020 under the name of Landela Investments PTY Ltd with the Director Sean Craig Murray having 30 years experience in Engineering and the mining field (Trackless , construction , plant and open cast)

After being involved with a lot of companies in the past years, he decided to venture on his own and supply a service to the mines , construction and customers he has dealt with in the past.

From hydraulics to drive-train being; axles, torque converters and transmissions, along with spares the vast knowledge of drifters / impact breakers and drifter repairs, power packs he has years worth of history on this equipment. Sean is so well known in the industry that the company does consulting and training as well.



**SPICER**  
DRIVETRAIN PRODUCTS

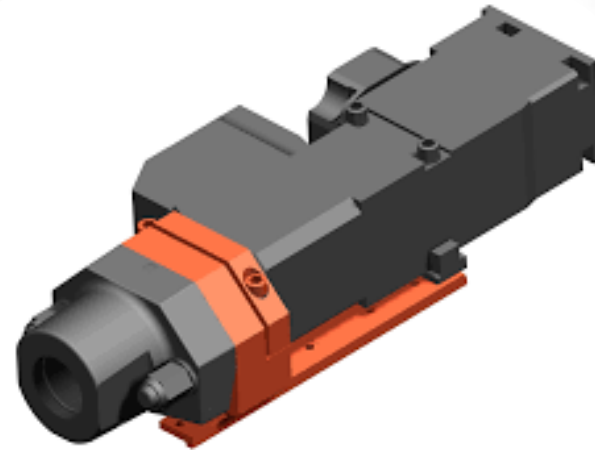




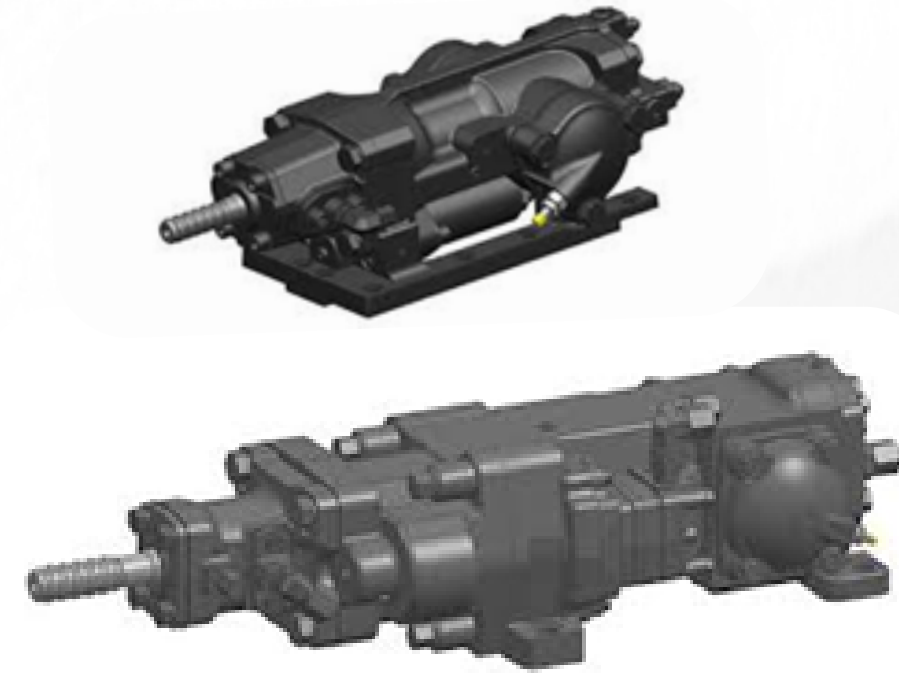
# ABOUT WHAT WE DO



**ATLAS COP CO 1838 DRIFTER**



**H200 DRIFTER**



**RD525 / RD 314 / RD106**



**SANDVIK HLX5 DRIFTER**

# ABOUT **WHAT WE DO**



**DRIFTER PARTS NEW**



**EXCHANGE UNITS**

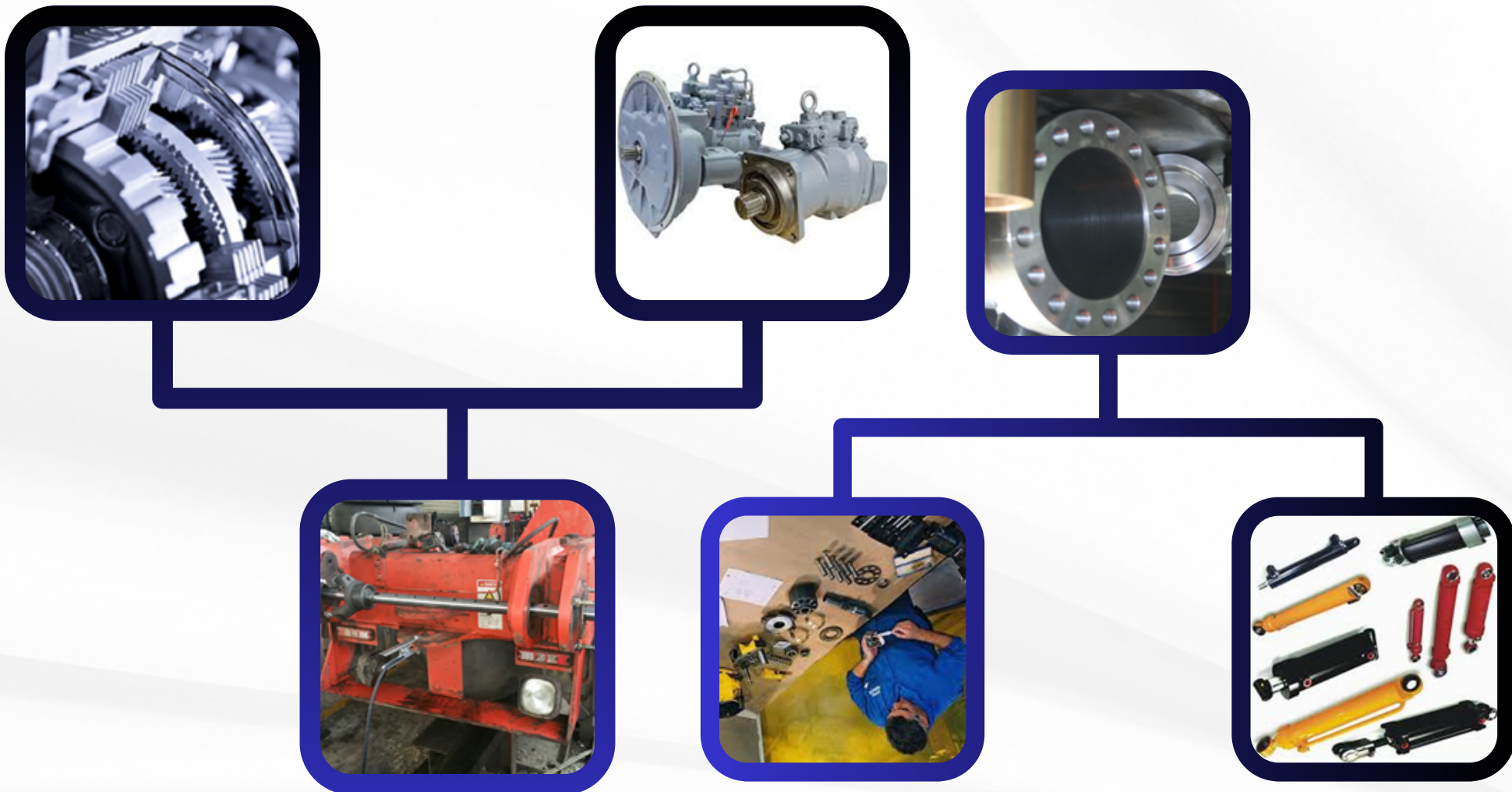


**SEAL KITS FOR  
MOST DRIFTERS**

**DRIFTER TEST BENCH WITH ROTATION & PERCUSSION**



# REPAIRS DRIVE-TRAIN HYDRAULICS & ENGINEERING



- 01** Supply of drive-train & drifter parts
- 02** Line boring & engineering
- 03** Import pumps (Rexroth , Parker, Vickers & more with power packs)
- 04** Manufacture and repair of Hydraulic Cylinders
- 05** Filtration (Donaldson, Fleet Guard, Filvent and OEM)
- 06** Training

# BRANDS

## WE REPRESENT

---



**Commercial  
Shearing (Pty) Ltd**



**OMCI** S.p.A. **EATON  
VICKERS**



**SPICER**  
DRIVETRAIN PRODUCTS

 **CARRARO**

**KESSLER+CO**



 **MERITOR** **AXLETECH**

**rexroth**  
A Bosch Company





## WARRANTIES

Hydraulic cylinders repaired or manufactured carry a warranty of 12 months or 3000 hours operation.

Drive Train Components carry a warranty of 6 months or 1000 hours.

Hydraulic pumps and valves 3 months 1000 hours.

Drifter repairs 3 months 300 hours

## OUR GUARANTEE

Landela offers total commitment to clients in terms of complete service as proven to many customers and OEM's. Thus, working hand in hand with clients is what leads to success.

Landela will supply quality products, assist with problem solving and assistance in order to support the customers' company objectives.

# AGREEMENT DISTRIBUTOR

Preferred and authorized agents to supply genuine Spicer products and all Types Drifters for OEM drifter spares



IOW Bulgaria Ltd  
Smrekata str 3  
Sofia 1186, German  
+359 2 9928443  
+359 2 9928447  
iow@iow.bg

- Sales -

Our Ref.  
Atanas Boykov  
Head of seals Service Department

phone:  
+35929928443

date:  
25.02.2022

Herewith we certify the LANDELA INVESTMENTS LTD, is one of our preferred agents and authorized to sell IOW Bulgaria Ltd. product range.

IOW Bulgaria Ltd. require our agents to sell only Genuine spare parts for which a certificate can be issued.

IOW Bulgaria Ltd. Is Authorized Service and Product Center of DANA Spicer Off Highway!



**Authorized Spicer® Off-Highway Product Center**  
Servicing: Spicer® • Clark™ • Kirkstall™ • Clark-Hurth™ • Sige™ • Comode™

IOW Bulgaria Ltd.

Atanas Boykov  
Head of sales – Service Department

IOW Bulgaria Ltd  
is part of  
Axel Johnson International



Sveavägen 151  
SE-113 46 Stockholm, Sweden  
+46 8 453 77 00  
axinter@axinter.com

# BEE CERTIFICATE

	<b>the dti</b> Department: Trade and Industry REPUBLIC OF SOUTH AFRICA	 Companies and Intellectual Property Commission <small>a member of the dti group</small>
<b>B-BBEE CERTIFICATE FOR EXEMPTED MICRO ENTERPRISES</b>		
Issued by the Companies & Intellectual Property Commission (CIPC) on behalf of the Department of Trade and Industry. Based on the Financial Statements/Management Accounts and other information available on the latest financial year-end, the annual Total Revenue was R10,000,000.00 (Ten Million Rands) or less.		
This Certificate serves as an Affidavit in terms of Code Series 000, Section 4.5 of the Amended Codes 2013.		
Tracking Number:  9381028857		Enterprise Number:  K2014086216
<b>B-BBEE LEVEL 4 CONTRIBUTOR: 100% PROCUREMENT RECOGNITION</b>		
<b>B-BBEE INFORMATION</b>		
Certificate Number	9381028857	
Total Number of Shareholders	ONE (1) SHAREHOLDER(S)	
Number of Black Shareholders	ZERO (0) BLACK SHAREHOLDER(S)	
Number of White Shareholders	ONE (1) WHITE SHAREHOLDER(S)	
Black Ownership Percentage	0% BLACK OWNERSHIP	
Black Female Percentage	0% BLACK FEMALE OWNERSHIP	
White Ownership Percentage	100% WHITE OWNERSHIP	
B-BBEE Status	<b>B-BBEE LEVEL 4 CONTRIBUTOR: 100% PROCUREMENT RECOGNITION</b>	
Date of Issue	23-February-2023	
Expiry Date	22-February-2024	
	<ul style="list-style-type: none"> <li>Unemployed black people not attending and not required by law to attend an educational institution and not awaiting admission to an educational institution: 0%</li> <li>Black people who are youth as defined in the National Youth Commission Act of 1996: 0%</li> <li>Black people who are persons with disabilities as defined in the Code of Good Practice on employment of people with disabilities issued under the Employment Equity Act: 0%</li> <li>Black people living in rural and under developed areas: 0%</li> <li>Black military veterans who qualify to be called a military veteran in terms of the Military Veterans Act 18 of 2011: 0%</li> </ul>	
<b>ENTERPRISE INFORMATION</b>		
Registration number	2014 / 086216 / 07	
Enterprise Name	LANDELA INVESTMENTS (PTY) LTD	
Registration Date	30-April-2014	
Enterprise Type	Private Company	
Enterprise Status	In Business	
Physical Address	Postal Address: Companies	Docex: 256
the dti Campus - Block F	P O Box 429	Web: www.cipc.co.za
77 Meirijies Street	Pretoria	Contact Centre: 086 100 3472(CIPC)
Sunnyside 0001	0001	Contact Centre (International): +27 12 394 9500
		



# CONTACT US



Unit 2 Compass Business Park  
5 Main Reef Road, Dunswart,  
Boksburg, 1459

Managing Director Tel: [Sean Murray](tel:0824478843)  
Email: [sean@landelainvestments.co.za](mailto:sean@landelainvestments.co.za)

082 447 8843

Marketing Director Tel: [Kyle Shepherd](tel:0824640775)  
Email: [kyle@landelainvestments.co.za](mailto:kyle@landelainvestments.co.za)

082 464 0775

Administrative Director Tel: [Charlene Roodt](tel:0663092234)  
Email: [charlene@landelainvestments.co.za](mailto:charlene@landelainvestments.co.za)

066 309 2234

Internal Sales Exec Tel: [Kassandra Smillie](tel:0663092238)  
Email: [sales@landelainvestments.co.za](mailto:sales@landelainvestments.co.za)

066 309 2238

Sales Engineer: [Ian Elske](tel:0743345366)  
Email: [landela.salesb@outlook.com](mailto:landela.salesb@outlook.com)

074 334 5366