



Power-Hub
POWER UP

PT-200

A New Remote Lighting Experience:
Illuminate Your Space at Will

Portable
Pan-tilt
Light





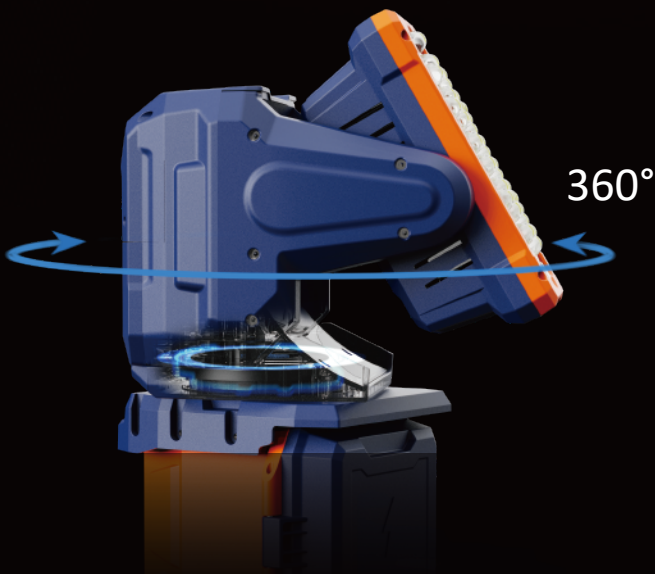
Bringing a Personal Lighting Technician to Your Work Stage

All directional, Precise project, Dimmable, and Remote-Controlled Lighting:

"Shape the Perfect Illumination for Your Workspace"

360-DEGREE HORIZONTAL ROTATION

Rotate freely in 360 degrees horizontal direction, instantly rotate/stop with remote commands.



180-DEGREE VERTICAL ROTATION

Rotates up to 180 degrees up and down, precisely pointing to any target position.



Any time Anywhere Control as you wish!

Up to 30m remote range, multiple light modes- effortless and efficient illumination.



30 Meters
Remote Range



Waterproof: IP66



Remote Controller
On/Off



Reset Button

Long press to reset light head
initial position

Light On/Off

Directional Control Joystick



Brightness Adjustment Button
3 levels of brightness adjustable

Mode Adjustment Button
3 lighting modes selectable



One more mount mode: magnetic attachment

The strong magnetic base can be attached to any iron surface, such as a car hood.



The magnetic base allows users to flexibly choose different adhesion angles according to their actual needs. Equipped with a safety cord, magnetic suction is more secure.

Attach And Work



Ultra-long working hours

Standard Mode Up To

8+ Hours (D24-100)

Control Board

USB Output

Brightness

Reset



Power

Mode



Three Lighting Modes

Distance Mode



Midrange Mode



Close-range Mode



Battery-powered
Up To **12,000** LM

Battery
(3 Mode)

Turbo 12,000LM

Standard 6,500LM

Eco 1,200LM

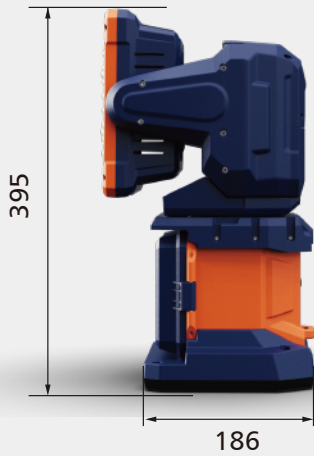


Specifications

PT-200

Weight	4.4KG (Fitting only)
Power Supply	Battery
Lumens	0 - 12,000Lm
Run Times	>4 hours (Standard mode, D24-100)
IP Grade	IP66
Battery System	D24 Series
Working Temp.	-10 C ~50 C
Working Humidity	1~98%

Size (mm)



Package

Modle	Size of Carton	Gross Weight of Carton	PCS/Carton
PT-200	330x275x460mm	7KG±5%	1



Power-Hub
POWER UP

