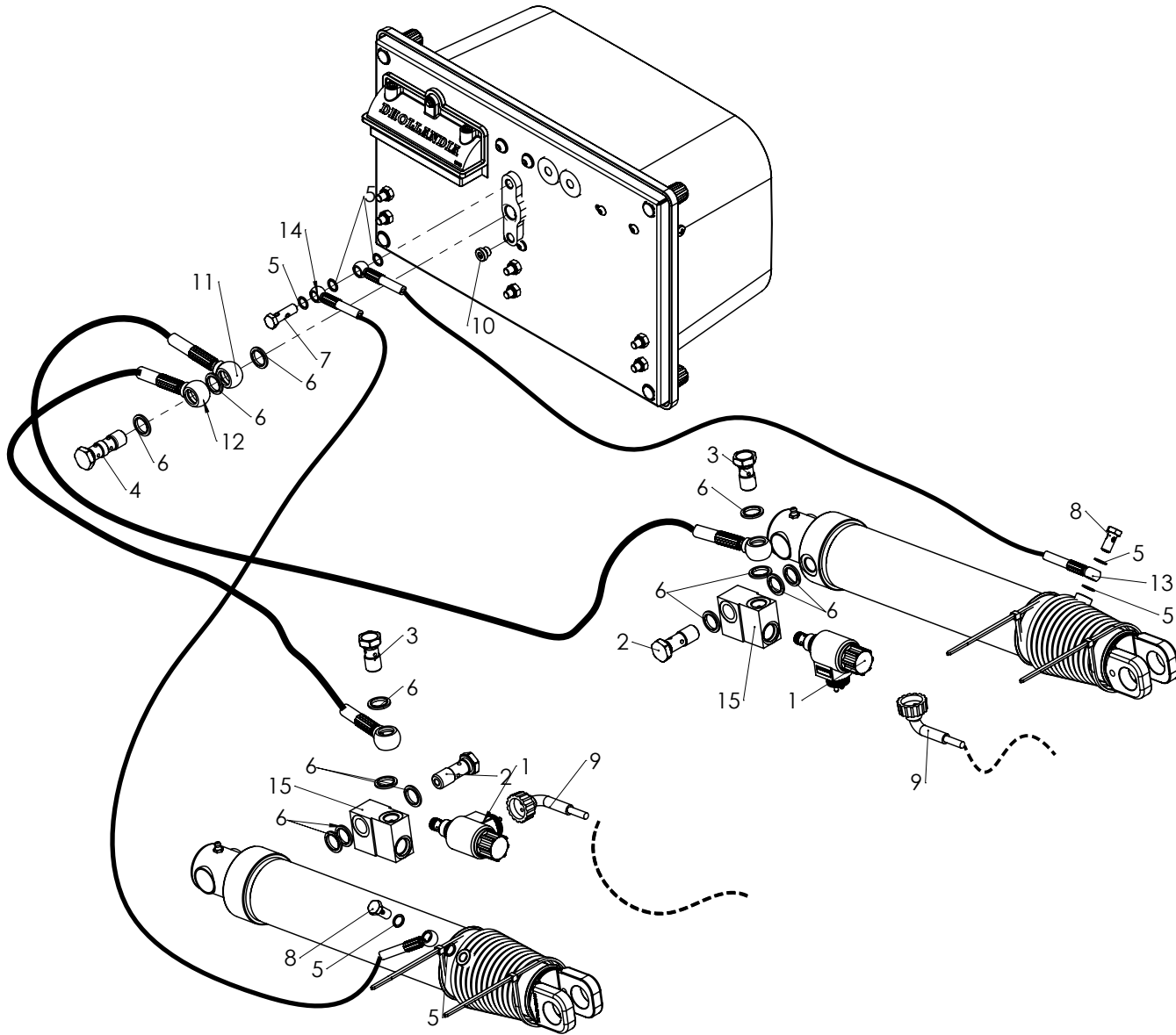
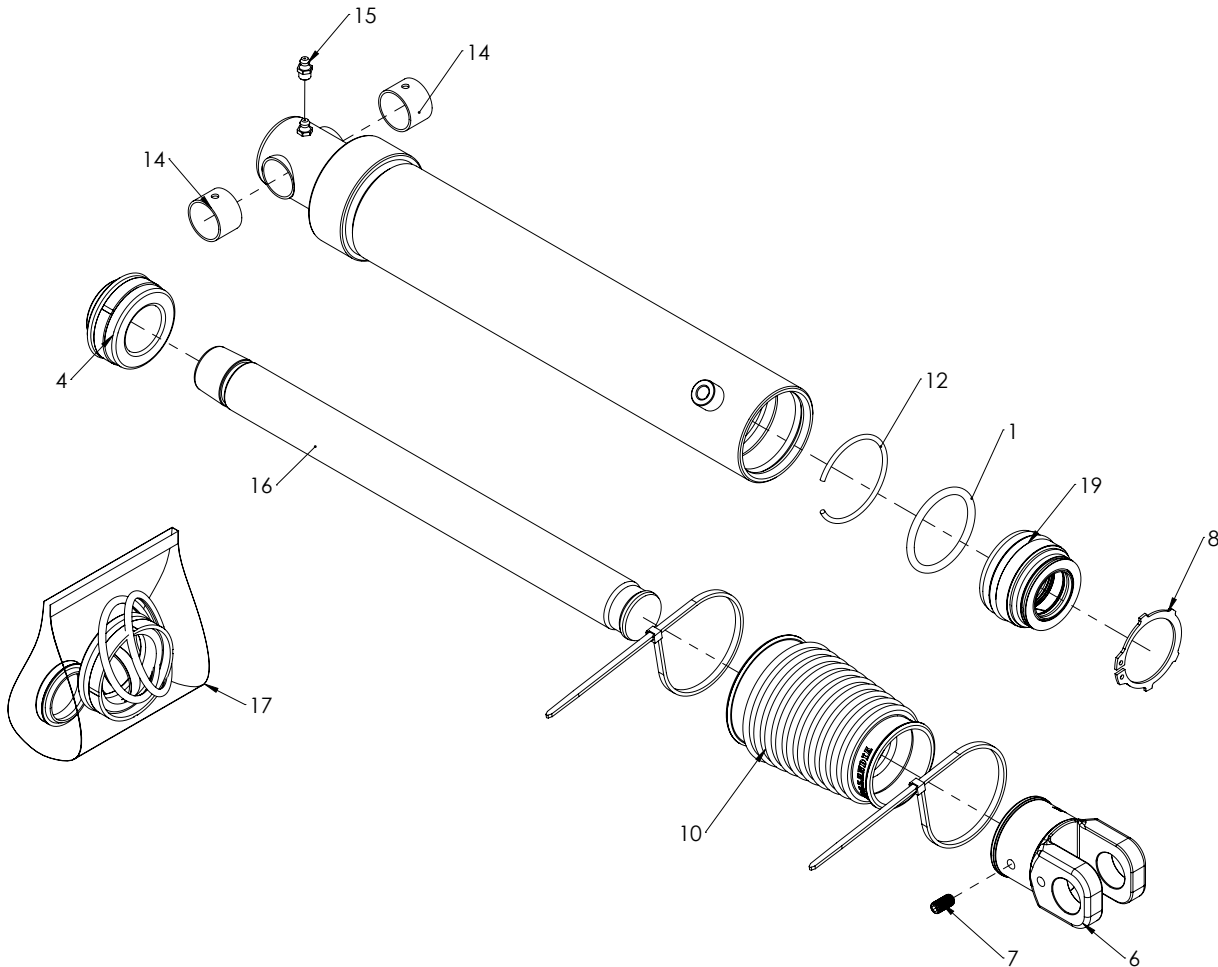


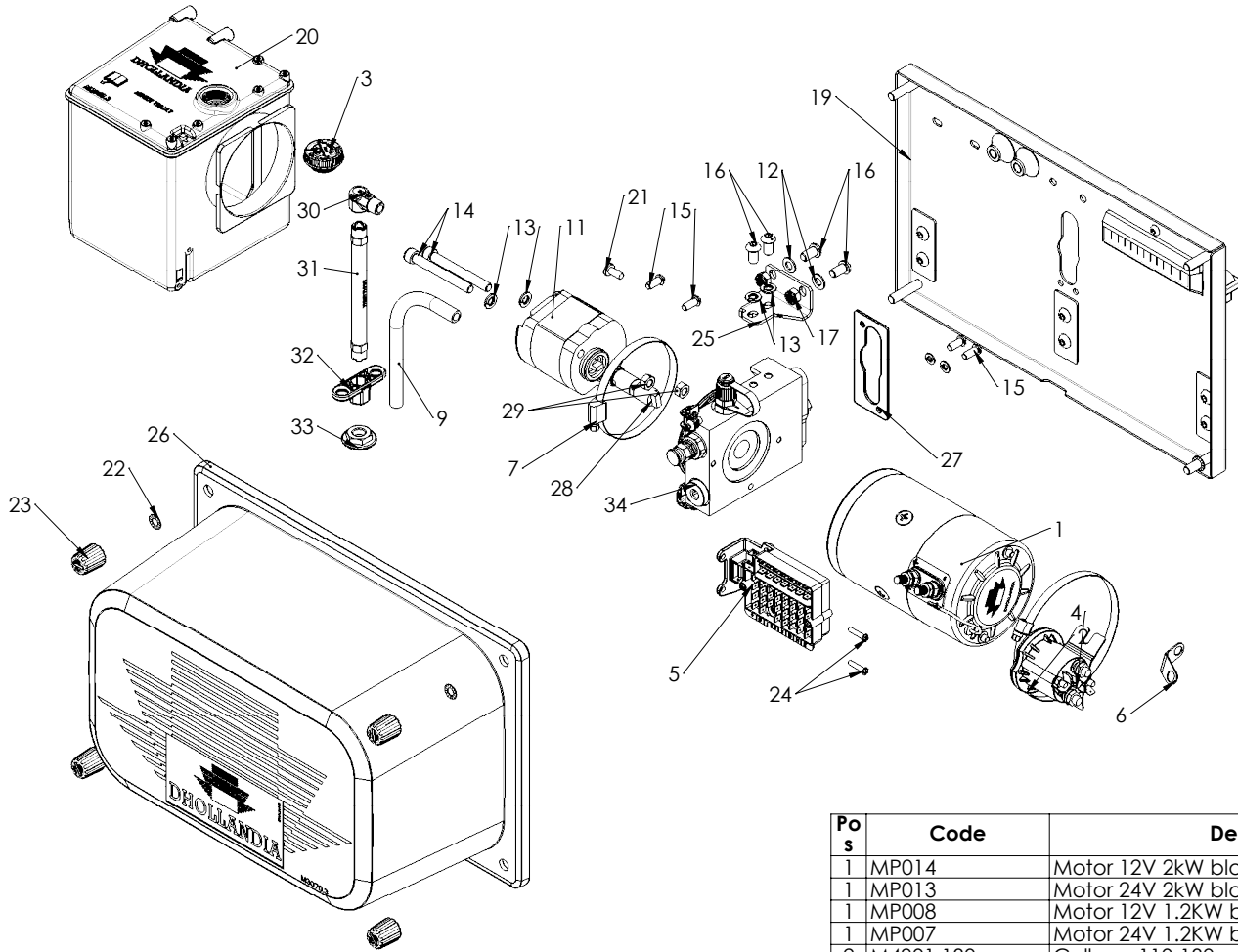
Pos	Code	Description
1	XF.RM.20.05.CA.O.VK	Frame RM.20.05 + Snr
2	XH.RM.20.05.CA.LE	Lift arm RM.20.05 + Snr
2	XH.RM.20.05.CA.LE.I	Lift arm RM.20.05 + Snr ISO
3	M1333.170.B	Swing bracket LM.20.03 - 170cc -B-
4	MM.3B.1510.485.S	Mounting plate set #150/100 - 485mm
5	CF.RM.20.05.LE.I	Fixed stabiliser RM.20.05 + Snr ISO
5	CF.RM.20.03.LE	Fixed stabiliser RM.20 + Snr
6	M2907.110	Side suspension bumper tube +PP RM 110mm
7	M2907.110.B	Side suspension bumper tube RM 110mm -B-
8	XB.S.OT.B.0813.W.L	Side bumper left RM.20.05 + Snr
9	XB.S.OT.B.0813.W.R	Side bumper right RM.20.05 + Snr
10	XB.S.MC.B.LE.W	Bumper construction centre -B- + Snr
11	M1835.50T	Bearing bush \varnothing 35x50mm
12	M1830.30T	Bearing bush \varnothing 30x30mm
13	M1825.20T	Bearing bush \varnothing 25x20mm
14	M1835.25T	Bearing bush \varnothing 35x25mm
15	M1730.153.F.D	Pin \varnothing 30x153mm
16	M1730.063.F.L	Pin \varnothing 30x63mm
17	M1705.30.35	Locking ring pin \varnothing 30/35 - 35cc
18	M1735.091.P50.L	Pin \varnothing 35x91mm - 50cc
19	M1705.25.50	Locking ring pin \varnothing 25/27 - 50cc
20	M1705.30.50	Locking ring pin \varnothing 30/35 - 50cc
21	M1725.075.BO08B.R	Pin \varnothing 25x75mm - BO08B
22	M1727.091.F.Z	Pin \varnothing 27x91mm
23	M1423	Rubber block 200x48x35
24	M0901	Roll PVC \varnothing 65/13x15mm
25	VRT044	Retraction spring BD=45 L=505 DD=9.5mm
26	M2911	Flange bumper bar RM.20
27	K0224	Bracket hose K0224
28	BO16.150.D	Eye bolt M16x150
29	CH58.C.L	Lift cylinder left CH58.C + Snr
30	CH58.C.R	Lift cylinder right CH58.C + Snr
31	GJA.300	Hydr.power pack + SNR



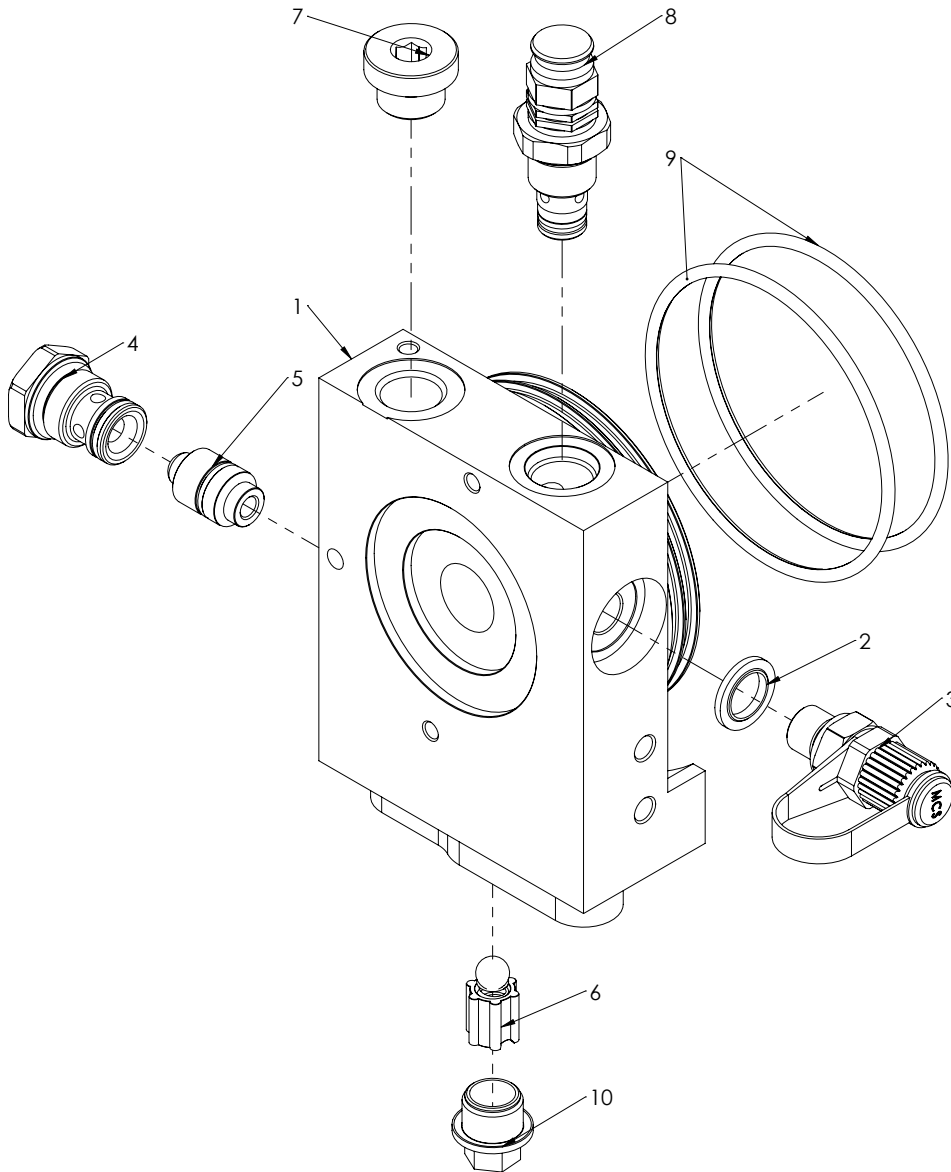
Pos	Code	Description
1	V133.24.H	Safety valve SA 24V - HYDAC
1	V133.12.H	Safety valve SA 12V - HYDAC
2	K0150	Banjo logical valve
3	K0172	Banjo simple 3/8"
4	K0188	Banjo double 3/8"
5	K0700.10X1	Sealing ring 10x1mm
6	K0700.3-8	Sealing ring 3/8"
7	K0112	Banjo double M10x1
8	K0110	Banjo simple M10x1
9	E0086	Cable safety valve Costal
10	K0702.10	Closing cap M10x1
11	KSH1500.OO	HP hose E-E 1500mm
12	KSH2050.OO	HP hose E-E 2050mm
13	KSLT.1700.O10O10	LP hose 3/16" E-E 1700mm
14	KSL2250.OO	LP hose E-E 2250mm
15	V132.B	Block safety valve cylinder voor V133



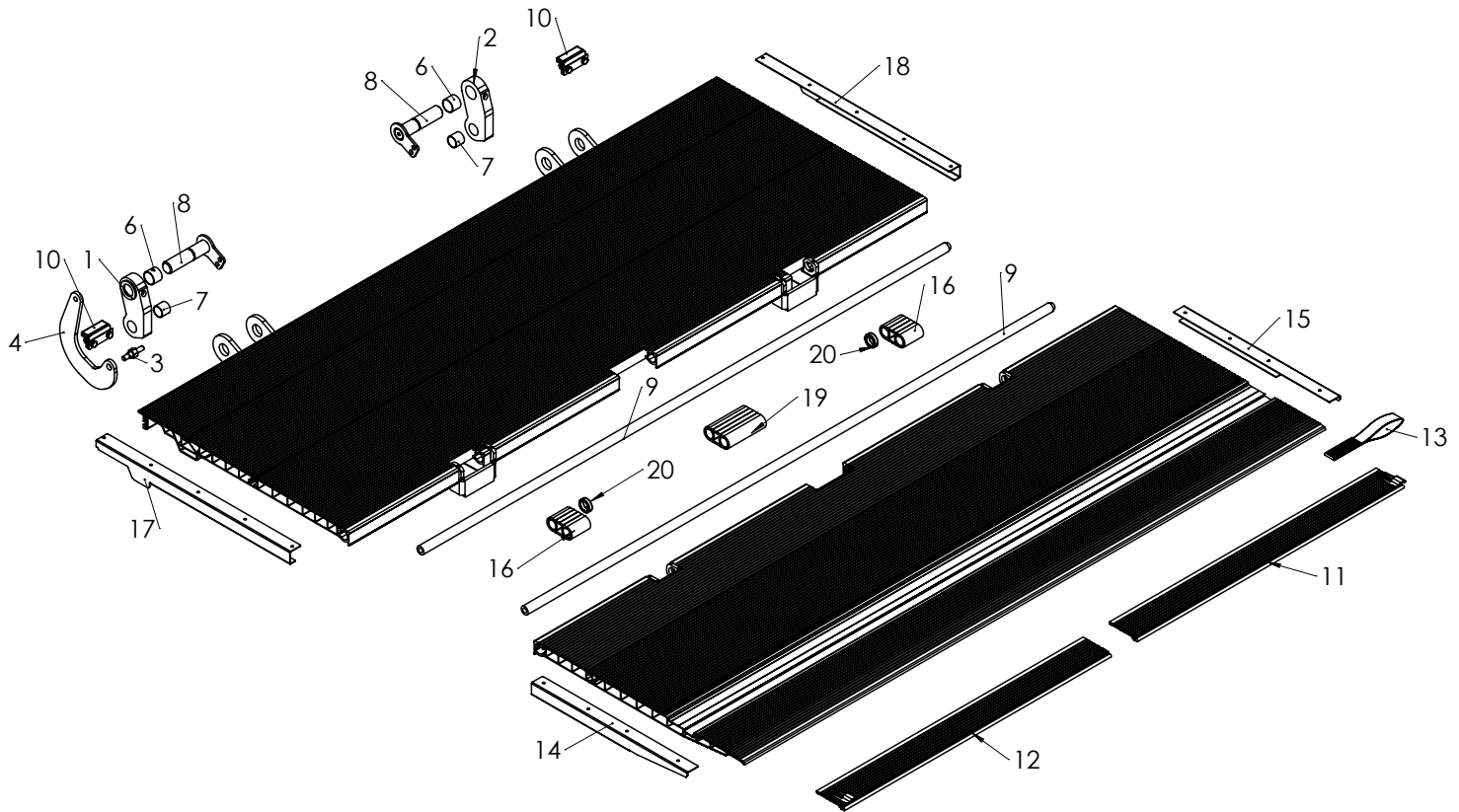
Pos	Code	Description
1	DO052.5	O-ring ø52x5
2	DO062.5	O-ring ø62x5
3	M4235.070.AC	Cylinder head with circlip ø70-35
4	M4435.060	Piston SA ø60-35
5	M4435.070	Piston SA ø70-35
6	M4107.070.25.35.25.F	Fork lift cylinder ø25 70cc Arm25
7	BB08.16	Allenbolt headless M8x16
8	BC52.983	Locking ring ø52
9	BC62.983	Locking ring ø62
10	M4970.54.10	Rubber sleeve ø70-54mm - 10
11	M4980.58	Rubber sleeve ø80x58
12	VRX085.60	Spring ring ø60mm
13	VRX085.70	Spring ring ø70mm
14	M1827.20T	Bearing bush ø27x20mm
15	M1701	Grease nipple M8
16	M4635.405.B	Rod ø35x405mm -B-
17	DSE070.35.C	Seal set SA ø70-35 -C-
18	DSE060.35.C	Seal set CIRCLIPS EW ø60-35
19	M4235.060.AC.D	Cylinder head locking ring ø60-35 -D-



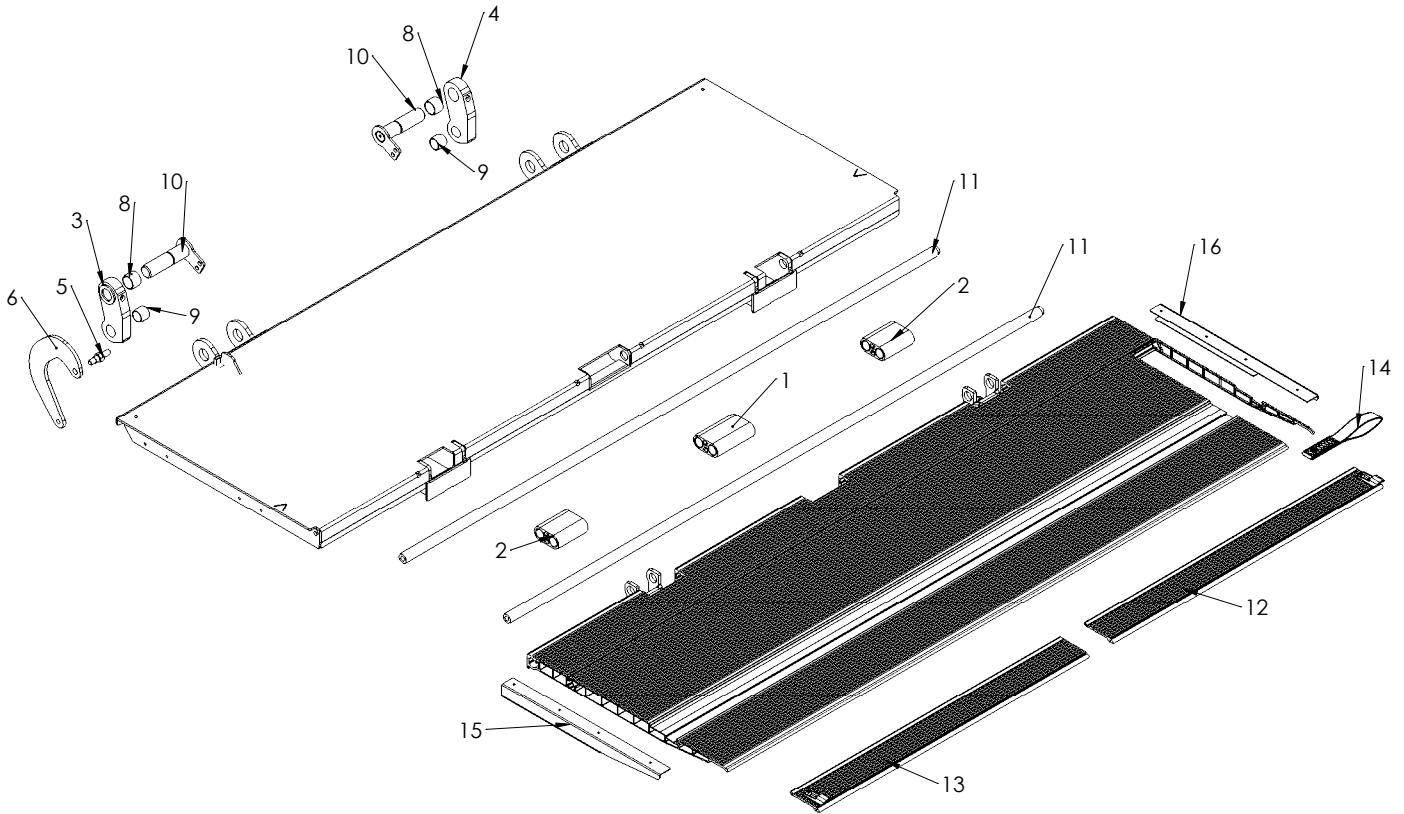
Pos	Code	Description
1	MP014	Motor 12V 2kW block
1	MP013	Motor 24V 2kW block
1	MP008	Motor 12V 1.2KW block
1	MP007	Motor 24V 1.2KW block
2	M4901.130	Collar \varnothing 110-130
3	F022.OG	Air release cap orange 3/4
4	E0634.24	Relay round TRBT 24V 150A
5	E2051	Connection block hydr.power pack >2010
6	E0064.R	Connection motor RIGHT
7	M4901.100	Collar \varnothing 100
8	M2999	Fixation bracket tank
9	K0234.200	LP hose \varnothing 8/12 L=200mm
10	BC06.2	Spring washer M6
11	P022.26	Pump 2.6cc
12	BC08.1	Washer flat M8
13	BC08.2	Spring washer M8
14	BI08.075	Allenbolt M8x75mm
15	BI06.016.7380	Allenbolt M6x16 DIN7380
16	BI08.016.7380	Bolt M8x16 DIN7380
17	BMB08	Locking nut M8
18	BI06.012.7380	Allenbolt met bolkop M6x12mm
19	M3146.3.V171	Case hydr.power pack 4l - V171
19	M3146.3.V191.B	Case hydr.power pack 3l - V191.B
19	M3146.3.V198	Case hydr.power pack 3l - V198
20	M3020.3	Tank 3l
21	BP06.16	Screw battery switch
22	BC08.4	Spring washer toothed M8
23	M3069	Screw cap cover M8
24	BP03.20	Screw wander lead \varnothing 3x20
25	V191.A3	Support valve V191.B -A3-
26	M3070.3	Cover power pack M3070.3
27	V198.GR	Shroud profile valve V198
28	P900.56	Connection motor P022 - 56mm
29	BMZ08	Nut M8
30	K0232	Coupling perpendicular 1/4"
31	K0360.155	Hydraulic pipe synthetic 1/4" - 155mm
32	K0233	Holder return hose
33	F025	Filter 1/4" - \varnothing 32mm
34	V221-INFO	Valve V221 - INFO
34	V220-INF	Valve V220 - INFO
34	V222-INF	Valve V222 - INFO



Pos	Code	Description
1	V221.23.A.Z	Logical valve empty V221.23
2	K0700.1-4	Sealing ring 1/4"
3	K0107	Coupling pressure gauge
4	K0271.A	Nut switch plunger M20x1.5
5	K0270.A	Switch plunger valve
6	K0153	No return valve
7	K0702.18	Closing cap M18x1.5 SW24 12mm
8	V139	Pressure relief valve DHO M18
9	DO085.3.5	O-ring ø85x3.5mm
10	M0647.3-8	Closing cap 3/8"



Pos	Code	Description
1	M1347.C.L	Swing bracket left RM.20 -C-
2	M1347.C.R	Swing bracket right RM.20 -C-
3	M0912.M12	Screw connection retraction spring RM - M12
4	M0912.164	Fixation retraction spring RM.20 - 164cc
4	M0912.204	Fixation retraction spring RM.20 - 204cc
5	M1815.10T	Bearing bush ω 15x10mm
6	M1835.30T	Bearing bush ϕ 35x30mm
7	M1830.30T	Bearing bush ϕ 30x30mm
8	M1735.156.P60.L	Pin ω 35x156mm - 60cc
8	M1735.152.P50.L	Pin platform RM ϕ 35x152mm - 50cc
9	M1727.2000	Pin platform point ϕ 27x2000mm
10	M1432.S	End stop fixed part ALU RC.10
11	M0973.M.LE.R	Pallet stop right MECH. ...mm
12	M0973.M.LE.L	Pallet stop left MECH. ...mm
13	M0897.B	Handle point -B-
14	M3527.LE.L	Point left ALU (LE)...mm
15	M3527.LE.R	Point right ALU (LE)...mm
16	M0544.55.070	Hinge platform point 55cc 70mm
17	M3549.LE.L	Side lip plt left RM + Snr
18	M3549.LE.R	Side lip plt right RM + Snr
19	M0544.55	Hinge platform point Special 55cc
20	M1927.11	Spacer bush ϕ 27.5-40x11 mm



Pos	Code	Description
1	M0544	Hinge platform point ALU 140mm
2	M0544.50.110	Hinge platform point ALU - 110mm 50cc
3	M1347.C.L	Swing bracket left RM.20 -C-
4	M1347.C.R	Swing bracket right RM.20 -C-
5	M0912.M12	Screw connection retraction spring RM - M12
6	M0912.164	Fixation retraction spring RM.20 - 164cc
6	M0912.204	Fixation retraction spring RM.20 - 204cc
7	M1815.10T	Bearing bush \sphericalangle 15x10mm
8	M1835.30T	Bearing bush \varnothing 35x30mm
9	M1830.30T	Bearing bush \varnothing 30x30mm
10	M1735.156.P60.L	Pin \sphericalangle 35x156mm - 60cc
10	M1735.152.P50.L	Pin platform RM \varnothing 35x152mm - 50cc
11	M1727.2000	Pin platform point \varnothing 27x2000mm
12	M0973.M.LE.R	Pallet stop right MECH. ...mm
13	M0973.M.LE.L	Pallet stop left MECH. ...mm
14	M0897.B	Handle point -B-
15	M3527.LE.L	Point left ALU (LE)...mm
16	M3527.LE.R	Point right ALU (LE)...mm