



8fUk]b['bf".

8YgWfdhjb.

FD'%'\$(!\$\$

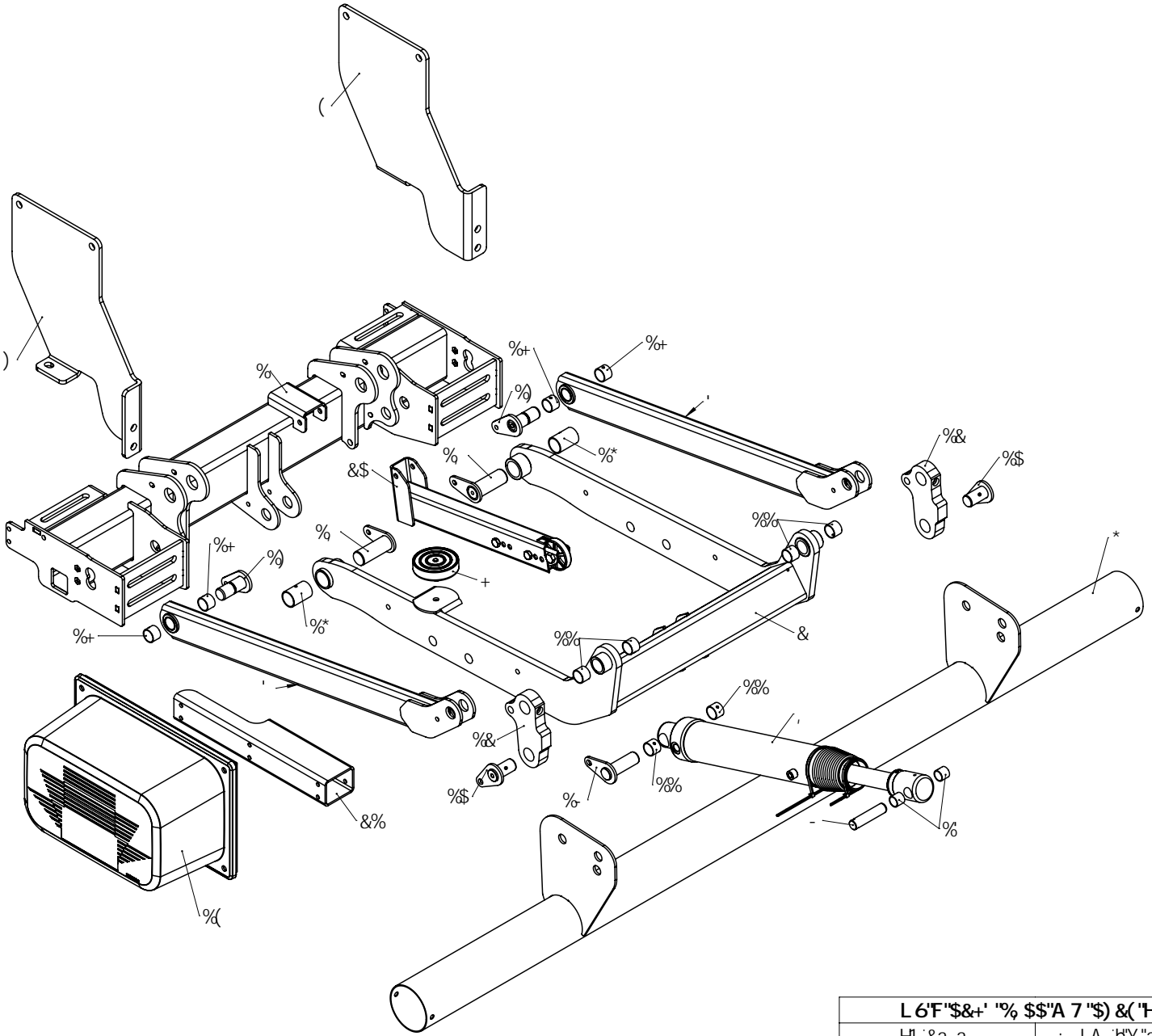
: fUa YWta d'"FD'%'\$(

A U]b[' fci d.

HU]`jZihndYg

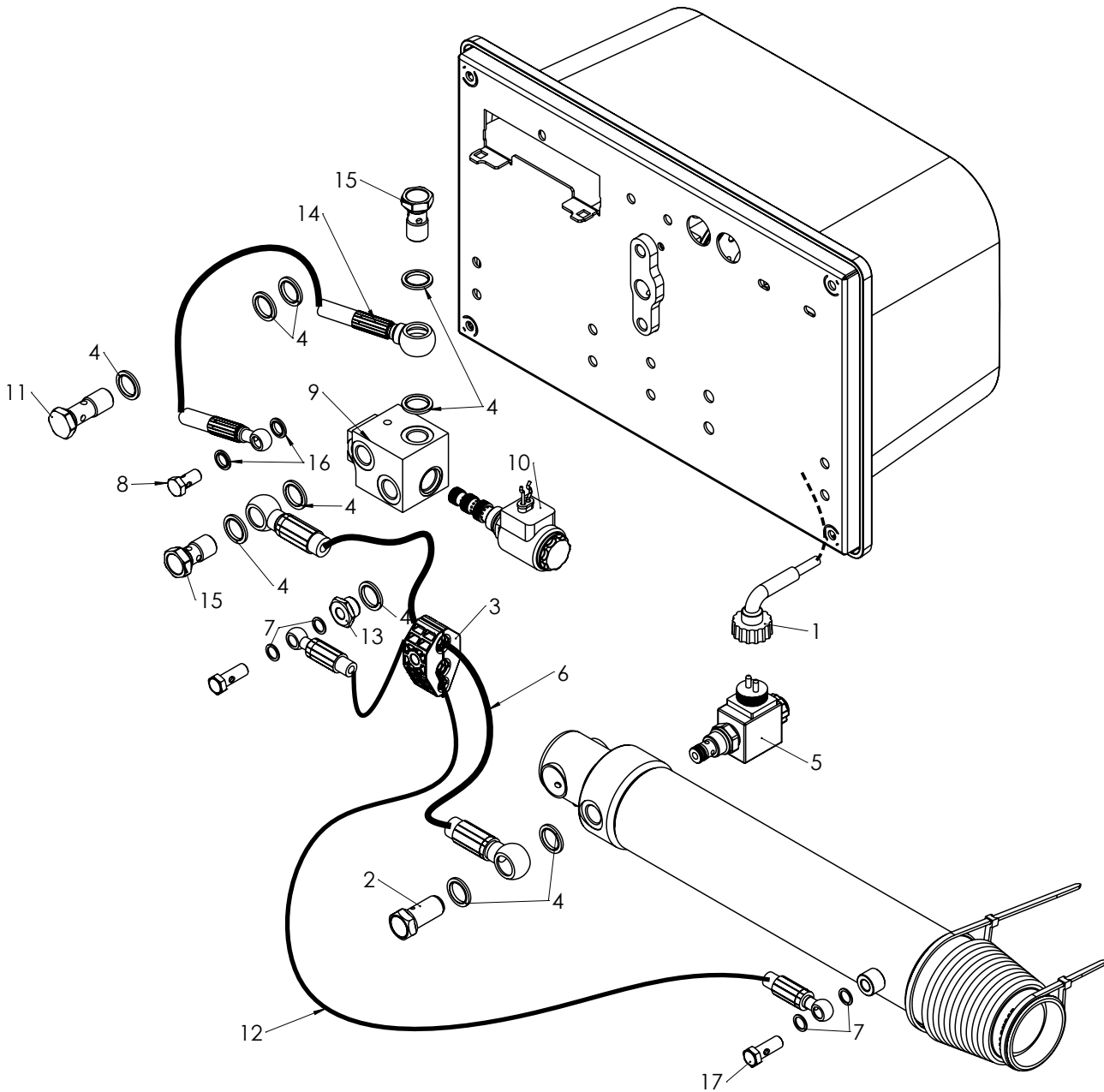
Gi V[' fci d.

: c`X!Uk Um`jZg



L 6'F'\$&+' '% \$\$'A 7 '\$) &('HI	
HI '&a a	; J A 'h'Y"a " ž) H
HI '(a a	' ž) HO; J A 'O1(H
HI '*a a	(HO; J A 'O'%&H

Dcg	7cXY	8YgWfdhjb	E HM
%	L: "FD'%'\$("7 5 "C "J ?	: fUa Y FD'%'\$(' Ž Gbf	%
&	L< "FD'%'\$("7 5 "@	@ZhuFa 'FD'%'\$(' Ž Gbf	%
'	7: "FD'%'\$((" \$, \$ \$":	:] YX: gUV]]dY fFD'%'\$(' ; \$ \$WV: 5@ 5	&
(A A " " 7 "%&\$, " ") \$"F	A ci bh]b[' d'UH' Y] [\h. %&\$!, \$ " ") \$a a	%
)	A A " " 7 "%&\$, " ") \$"@	A ci bh]b[' d'UH' YZi. %&\$!, \$ " ") \$a a	%
*	L 6'F'\$&+' "@A 7 "K "HI	6i a dYfWc: bgfri Wjcb Ž ' Gbf	%
+	A \$((%	9bX: gtd fi VVYf8< !GA Ž""	%
,	7 < 8 \$ % 6	@ZhuWmbXYf85 ' Ž Gbf	%
-	A % + &\$ \$, * "6C \$,	D]b » &\$!, * a a ! '6C \$,	%
%\$	A % + &)" \$) "D) \$"@	D]b » &!)) a a !) \$WV	&
%%	A % &)" &\$H	6YUf]b[' Vi g' » &!) I &\$a a	*
%&	A % &- "%\$," 7	Gk]b[' VfuWYhFD' %\$, VWV! 7!	&
%	A % &\$" &\$H	6YUf]b[' Vi g' » &\$! &\$a a	&
%	; > 5 " " \$ \$	<nX'Pdck YfdUW_ Ž ' GBF	%
%	A % + &)" \$* + "D) \$"@ 6	D]b » &!) * a a !) \$WV	&
%*	A % ' \$) " \$H	6YUf]b[' Vi g' » ' \$!) \$a a	&
%+	A % &)" &\$H	6YUf]b[' Vi g' » &!) I &\$a a	(
%	A % + ' \$ \$, '	D]b » ' \$!, ' a a !) \$WV	&
%	A % + &)" \$, &D) \$	D]b » &!) I, &a a !) \$WV	%
&\$	A \$ - &\$"(, +	I bZc X [i] XY 'FD(, + a a	%
&%	A, %&(\$ \$, \$:]hb[' g ddcfhdcck YfdUW_ 'FD', \$a a	%



Pos	Code	Description
1	E0086	Cable safety valve Costal
2	K0109.Z	Banjo empty K0109
3	K0224	Bracket hose K0224
4	K0700.3-8	Sealing ring 3/8"
5	V133.24	Safety valve SA 24V
5	V133.12	Safety valve SA 12V
6	KSHT.1400.O38O38	HP hose 1/4" E-E 1400mm
7	K0700.10X1	Sealing ring 10x1mm
8	K0110	Banjo simple M10x1
9	V197.B.Z	Logical valve empty V197.B
10	V178.12.HK	Valve 4/2 - 12V HYDAC
10	V178.24.HK	Valve 4/2 - 24V HYDAC
11	K0150	Banjo logical valve
12	KSPT.1600.O13O13	HP hose 3/16" E-E 1600mm
13	K0703.3-8.C	Closing cap 3/8"+ M10x1 L=17
14	KSHT.O300.O38Q10	HP hose 1/4" E-E 90° 300mm
15	K0172	Banjo simple 3/8"
16	K0700.B10	Sealing ring Bonded M10
17	K0256	Banjo simple M10 - PRESSURE (13.5mm)



8fUk]b['bf".

FD'%'\$(!: \$°/SG5

8YgWfjdhcb.

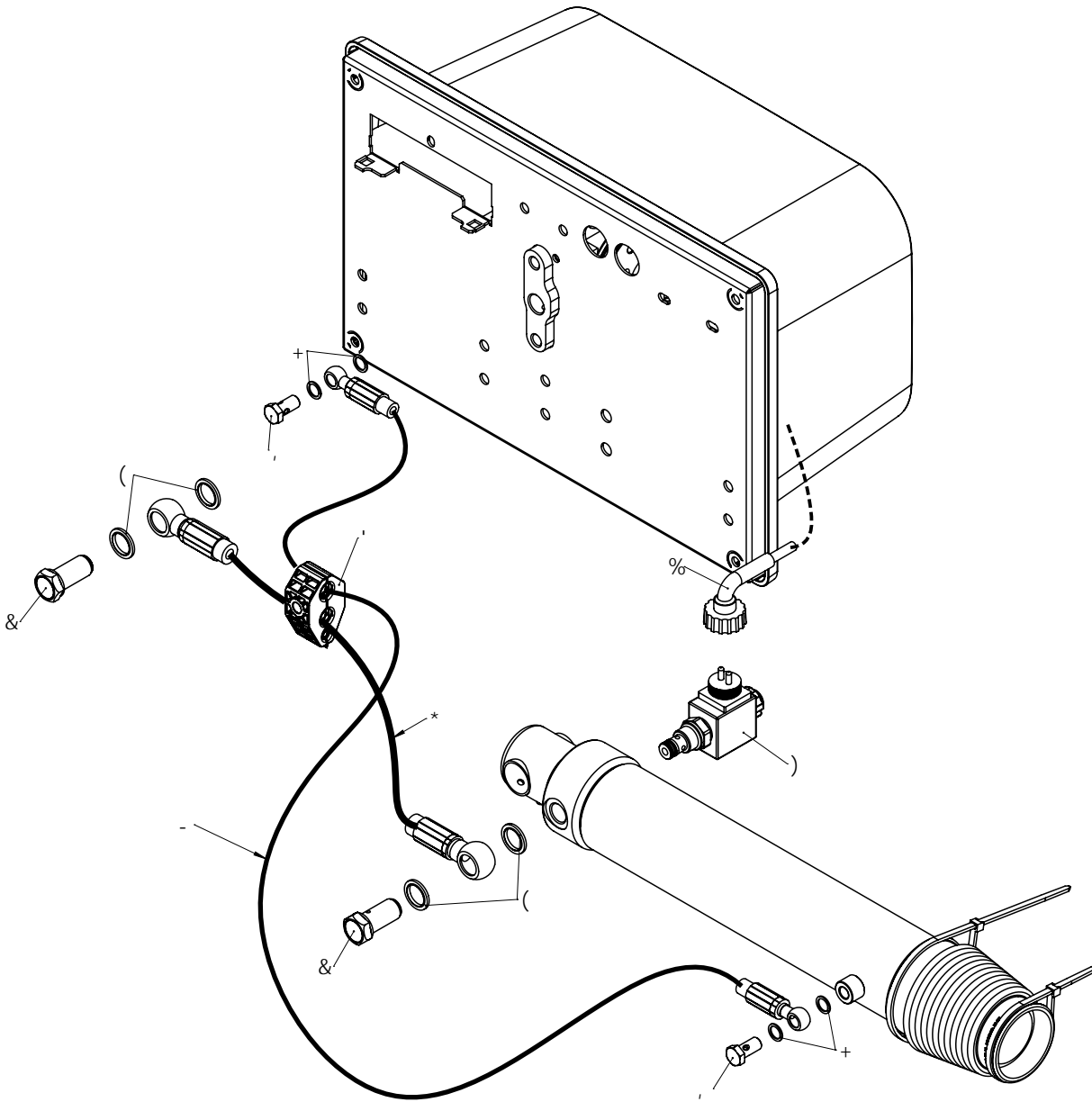
<mXfUi `jWUggYa V mFD'%'\$('Ž' Gbf

A U]b[fci d.

<mXfUi `jWgW Ya Yg

Gi V[fci d.

Hi W!Uk Um`jZg



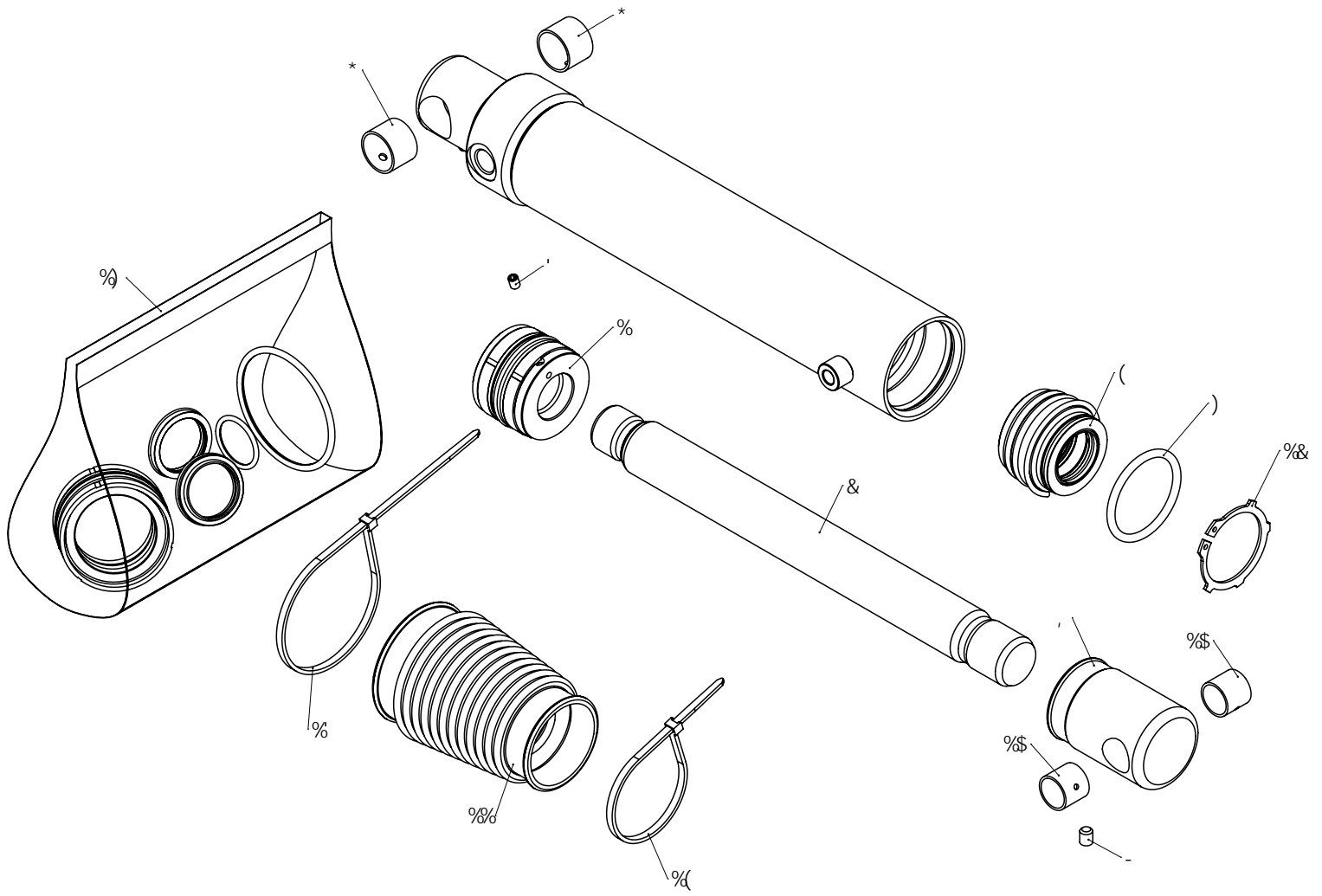
Dcg	7cXY	8YgWfjdhcb
% 9\$\$, *		7 UVY gJZYhmj Uj Y 7 cgtU`
& ?\$%\$- "N		6Ub`c Ya dhm? \$%\$-
' ?\$&&(&		6fUW_Yh\cgY' ?\$&&(&
(?\$+\$\$" !,		GYU]b[f]b[" #, fmi
) J % ' "&(&		GUZYhmj Uj Y G5 &(J
) J % ' "%&		GUZYhmj Uj Y G5 %&J
* ?G<\$) \$\$"C C		<D\`cgY' 9!9) \$\$a a
+ ?\$+\$\$"%\$L%		GYU]b[f]b["%\$! %a a
, ?\$%\$%		6Ub`c`gja d Y A %\$! %
- ?G@+%" \$ \$"C %\$C %\$		@\`cgY' "#% fmi 9!9%" \$ \$a a

A U]b[' fci d.

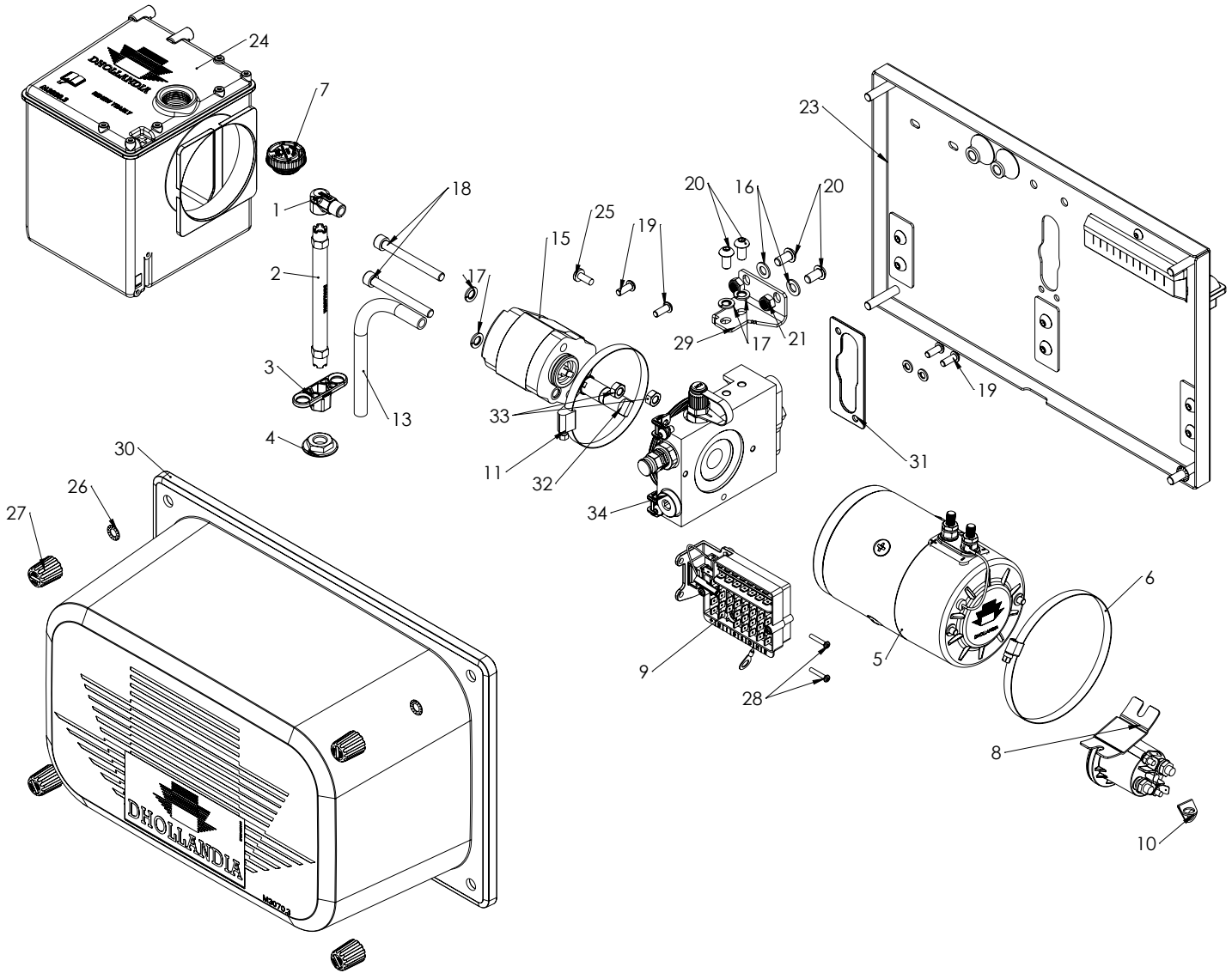
< mXfUi `]WWh]bXYfg

Gi V[fci d.

@ZiWh]bXYfg

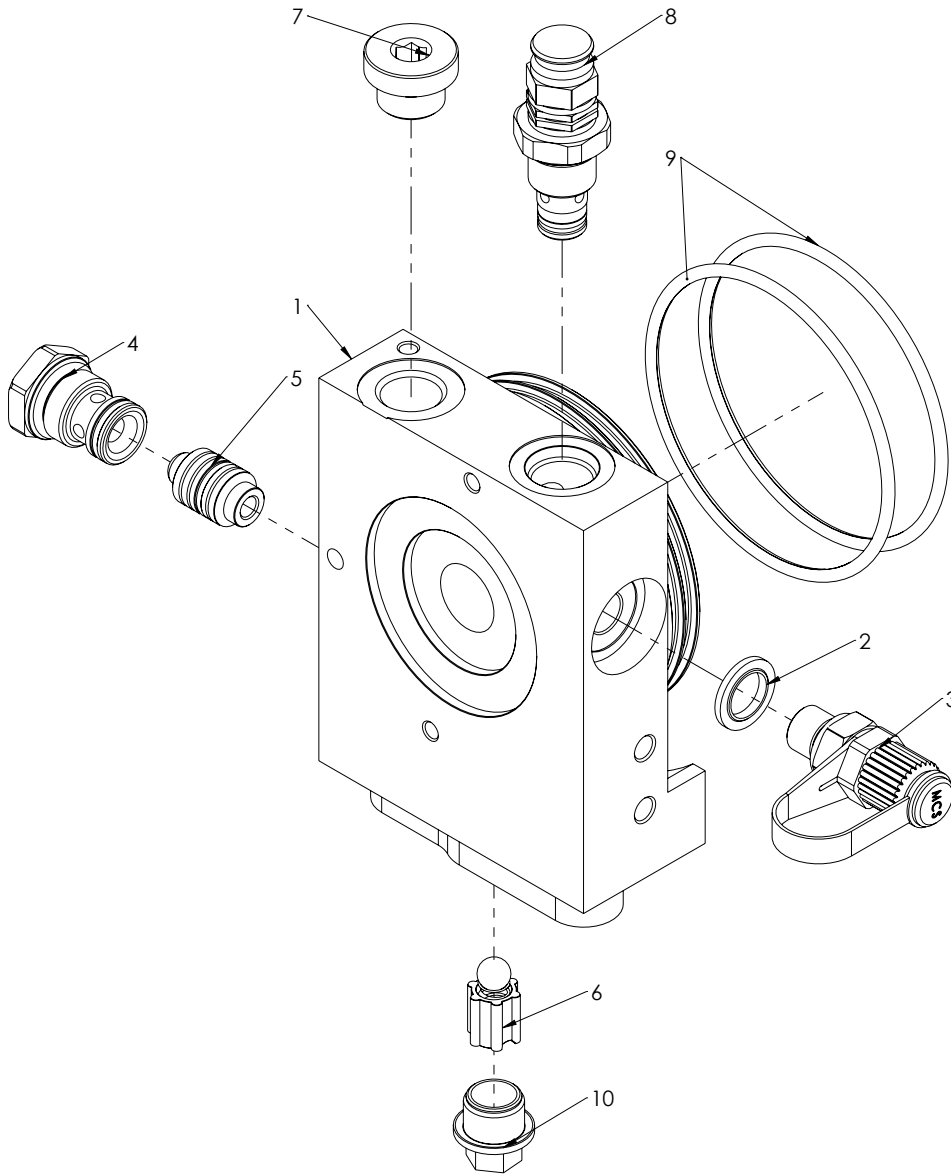


Dcg	7 cXY	8YgWfdh]c.b
% A () '\$' "\$*\$'6	D]gcb 85' *\$'!6!	
% A () '\$' "\$+\$'6	D]gcb 85' +\$'!6!	
& A (*') "' *'	FcX`]ZhWh]bXYf ')')')' *'	
& A (*') "(% "6	FcX`]ZhWh]bXYf ')')')' (% a a ' !6!	
' 66\$* "%\$	5`YbVc`h`YUX`YggA *!%\$	
(A (&)' "\$*\$'57	7 m]bXYf`YUX`k]h`W]W]d` » *\$!')' `57	
(A (&)' "\$+\$'57 "6	7 m]bXYf`YUX`k]h`W]W]d` » +\$!')' `!6!	
) 8C \$) &)	C !f]b[' ») &]	
* A % &)' "&\$H	6YUf]b['Vi g` » &)' l &\$a a	
+ A %+\$%	: fYUgY`b]dd`Y`A` ,	
, A (%&+"\$*\$	9l`h`b]g]c`b`]ZhWh]bXYf`* \$WV	
- 66\$, "%\$	5`YbVc`h`YUX`YggA , !%\$	
%\$ A % &\$"&\$H	6YUf]b['Vi g` » &\$l &\$a a	
%& A (- +\$)' (Fi VVYfgYY] Y +\$l) (a a	
%& 67) &' ,'	@W`b['f]b[' ») &	
% 9\$\$+, "' *\$	7 UV`Y`gfUd` " *\$l (" , a a	
% (9\$\$+, "&- \$	7 UV`Y`gfUd` &- \$a a	
% 8GB \$+\$'") H	GYU`gY`h85` +\$!') `HDA	
% 8GB \$*\$'") H	GYU`gY`h85` *\$!') `HDA	



Pos	Code	Description
1	K0232	Coupling perpendicular 1/4"
2	K0360.155	Hydraulic pipe synthetic 1/4" - 155mm
3	K0233	Holder return hose
4	F025	Filter 1/4" - ø32mm
5	MP013	Motor 24V 2kW block
5	MP008	Motor 12V 1.2KW block
5	MP007	Motor 24V 1.2KW block
5	MP014	Motor 12V 2kW block
5	MP029	Motor HE 12V 2kW
6	M4901.130	Collar w110-130
7	F022.OG	Air release cap orange 3/4
8	E0634.24	Relay round TRBT 24V 150A
8	E0634.12	Relay round TRBT 12V 150A
9	E2051	Connection block hydr.power pack >2010
10	E0064.R	Connection motor RIGHT
11	M4901.100	Collar w100
12	M2999	Fixation bracket tank
13	K0234.200	LP hose ø8/12 L=200mm
14	BC06.2	Spring washer M6
15	P022.17	Pump 1.7cc
15	P022.12	Pump 1.2cc
15	P022.20	Pump 2.0cc
15	P022.22	Pump 2.2cc
15	P022.26	Pump 2.6cc

Pos	Code	Description
16	BC08.1	Washer flat M8
17	BC08.2	Spring washer M8
18	BI08.075	Allenbolt M8x75mm
19	BI06.016.7380	Allenbolt M6x16 DIN7380
20	BI08.016.7380	Bolt M8x16 DIN7380
21	BMB08	Locking nut M8
22	BI06.012.7380	Allenbolt met bolkop M6x12mm
23	M3146.3.V198	Case hydr.power pack 3l - V198
23	M3146.3.V171	Case hydr.power pack 4l - V171
23	M3146.3.V191.B	Case hydr.power pack 3l - V191.B
24	M3020.3	Tank 3l
25	BP06.16	Screw battery switch
26	BC08.4	Spring washer toothed M8
27	M3069	Screw cap cover M8
28	BP03.20	Screw wander lead w3x20
29	V191.A3	Support valve V191.B -A3-
30	M3070.3	Cover power pack M3070.3
31	V198.GR	Shroud profile valve V198
32	P900.56	Connection motor P022 - 56mm
33	BMZ08	Nut M8
34	V221-INFO	Valve V221 - INFO
34	V222-INF	Valve V222 - INFO
34	V220-INF	Valve V220 - INFO



Pos	Code	Description
1	V221.23.A.Z	Logical valve empty V221.23
2	K0700.1-4	Sealing ring 1/4"
3	K0107	Coupling pressure gauge
4	K0271.A	Nut switch plunger M20x1.5
5	K0270.A	Switch plunger valve
6	K0153	No return valve
7	K0702.18	Closing cap M18x1.5 SW24 12mm
8	V139	Pressure relief valve DHO M18
9	DO085.3.5	O-ring ø85x3.5mm
10	M0647.3-8	Closing cap 3/8"



8fUk]b['bF".

LDG5' \$('6

8YgWfdhjb.

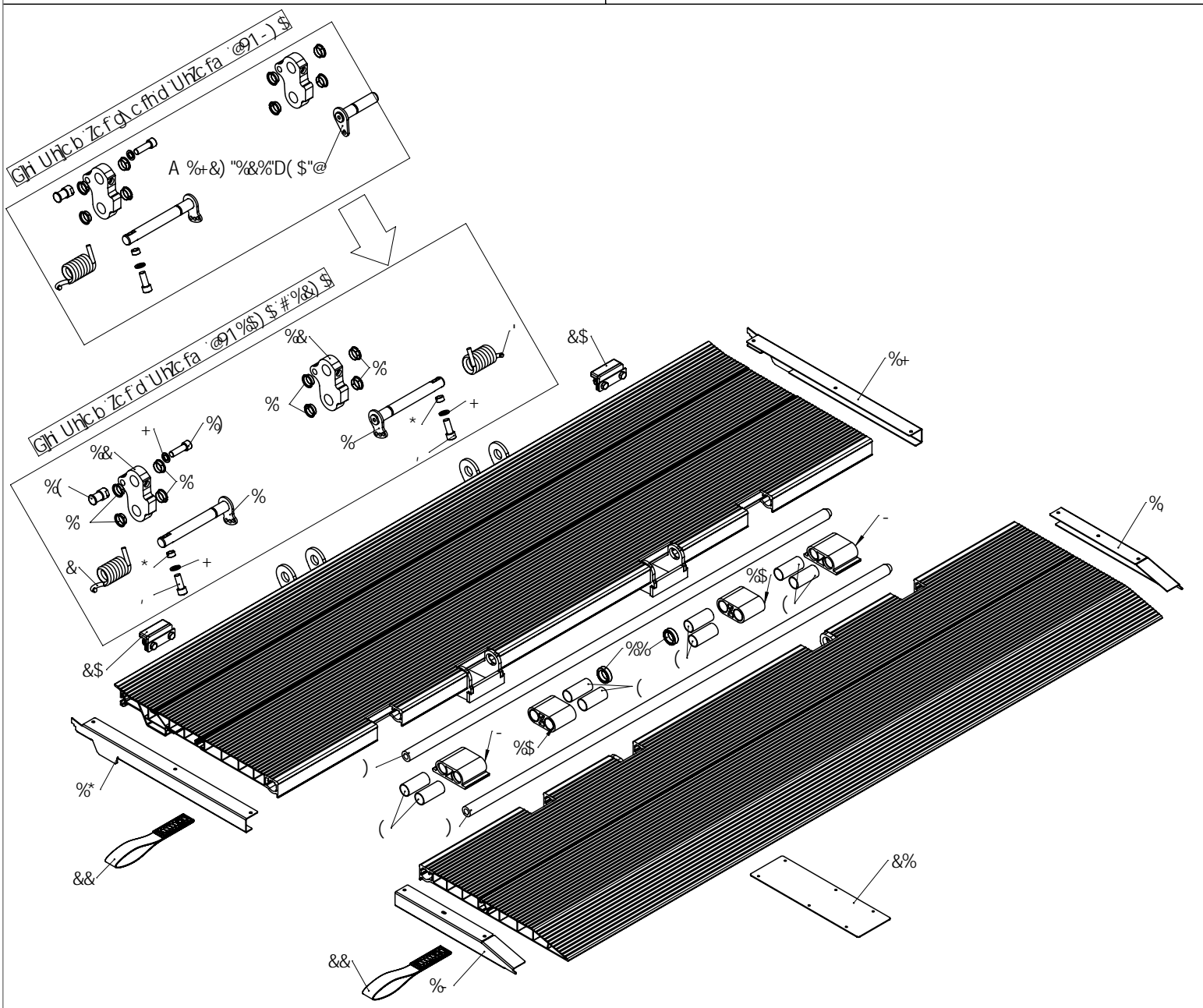
D'Uhzfa 'Wta d' "FD'%'\$('#FD'%'&'\$(

A U]b[' fci d.

D'Uhzfa g

G V [fci d.

: c`XUV`Y`U`i a]bi a `d`Uhzfa g



Dcg	7 cXY	8YgWfdhjb
% A %&)"&&"D(\$@D]b' &) &&a a '!(\$VWV	& J FK %&%"\$- "@	Ht fgjc b gd f]b['Yzh -") +K
' J FK %&%"\$- "F	Ht fgjc b gd f]b['f[\h -") +K	
(A \$)	6YUf]b['Vi g\]b[Y DJ 7	
) A %&+"%(&\$	D]b' > &+I %(&\$	
* A % %("%"%"\$	Gd UWfVi g\ 'gk]b['dc]bh> %(#% I %\$a a	
+ 67 %("&	Gd f]b['k Ug YfA %	
, 6%("\$(5`YbVc`h`k]h \YUX`A`%(I`)`a`a	
- A \$)(' "\$, \$	<]b[Y ZUb[Y ; \$a a	
%\$ A \$) ((") "\$+\$	<]b[Y d`Uhzfa`dc]bh5@`+ \$a a	
%% A % &+"%&	Gd UWfVi g\ ' > &+)"!(\$I %&a a	
%& A % &- "\$, "7	Gk]b['VfUW`Yhd`Uhzfa`FD'%"\$\$('17!	
%& A % &- "%\$, "7	Gk]b['VfUW`YhFD`%\$, WV!7!	
% A % &)"%\$H	6YUf]b['Vi g\ ZUb[Y > &) I %\$ a a	
%(A %&)"\$()"A %	D]b`YbX`g`rc`d`FD` &) I () a a `!`A`%(
% 6%("\$(5`YbVc`h`A`%(I`)`a`a	
%` A `)) \$`@`@	GXY`jd`d`h`YzhA`)) \$`Z`Gb`f	
%+ A `)) \$`@`F	GXY`jd`d`hf[\hA`)) \$`Z`Gb`f	
% A `)) %`@`F	GXY`jd`d`hf[\hA`)) %`Z`Gb`f	
% A `)) %`@`@	GXY`jd`d`h`YzhA`)) %`Z`Gb`f	
&\$ A %`' &'G	9bX`g`rc`d`Z]`YX`d`Ufh5@`F7`%\$	
&% A ` (\$+"(\$\$6	Dfch`W]h`c`b`d`Uhzfa`FD`!(\$ \$a a`!6!	
&% A ` (\$+" *)	Dfch`W]h`c`b`d`Uhzfa`FD`' *) a a	
&& A \$, - +`6	<UbXY`dc]bh`!6!	