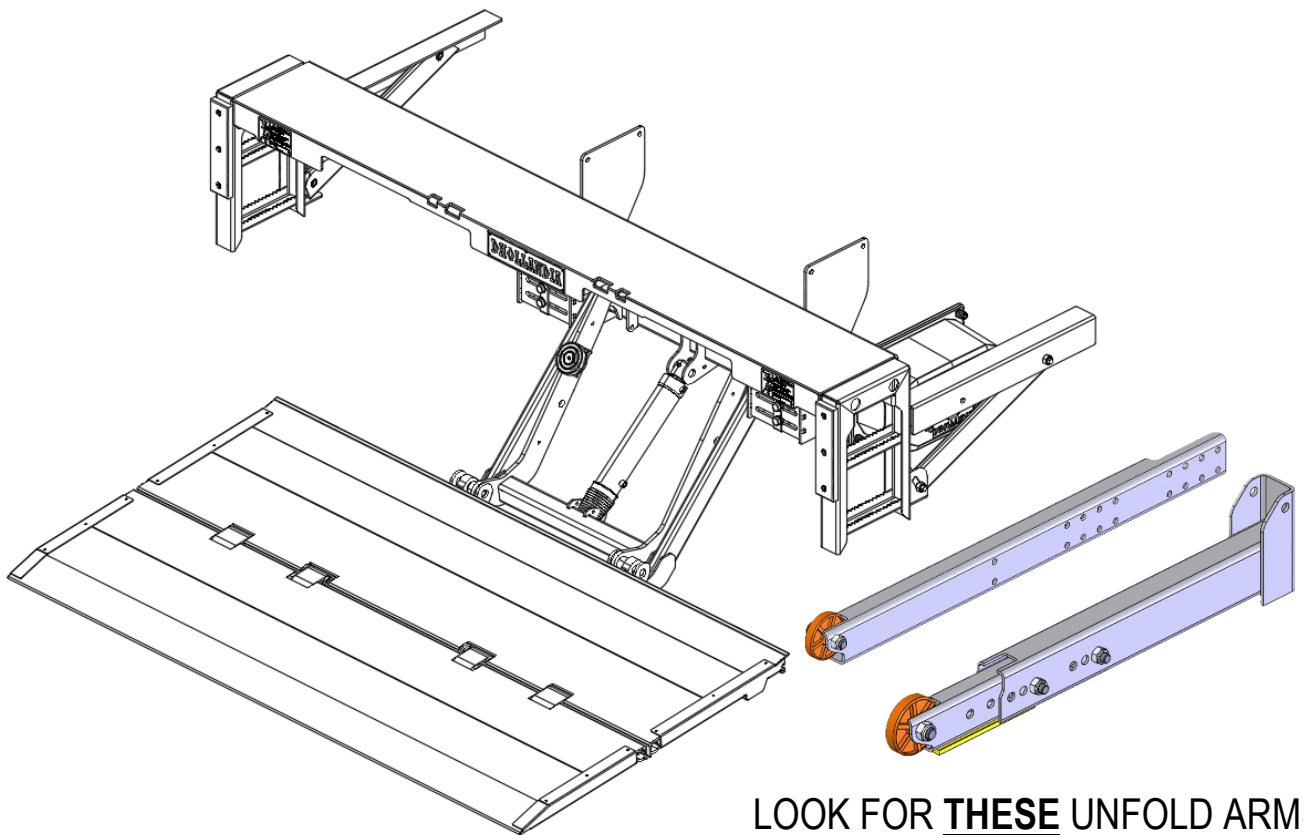




DHOLLANDIA

DH-RPH*

PARTS BREAKDOWN



Manufacturer:
DHOLLANDIA US, L.L.C.
E-mail : Parts.US.US@dhollandia.com
270 Southridge Parkway
Bessemer City North Carolina, 28016
website : www.dhollandia.com/US/en-us

Always provide your liftgate Serial Number with any parts orders

Keep this manual in your records, as reference for the vehicle owner and liftgate operator





Drawing nr.:

RP.15.04-01

Description:

Frame compl. RP.15.04 - (> 2023)

two springs




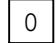
Main group:

Taillift types

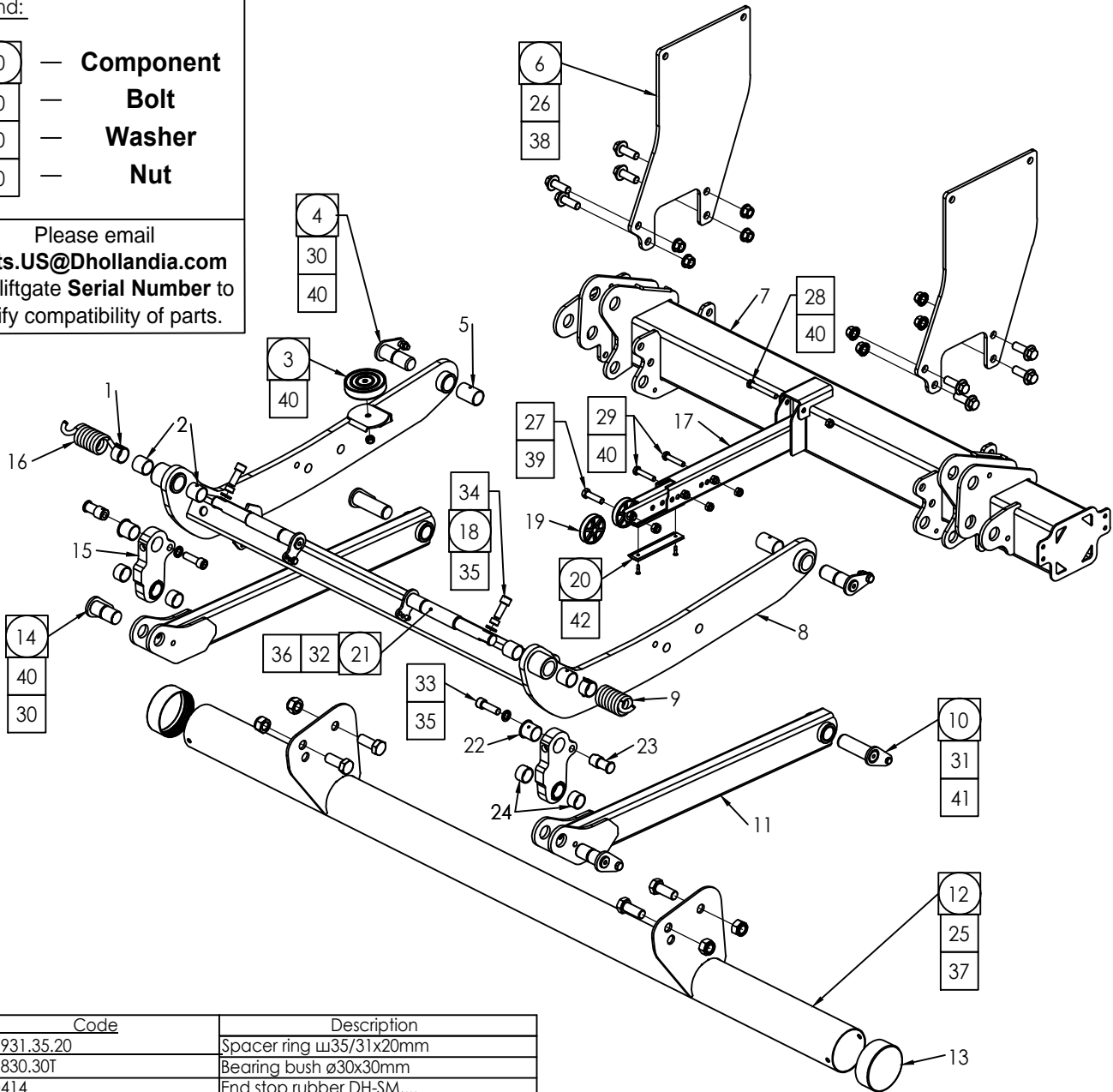
Subgroup:

Fold-away lifts

Legend:

-  — **Component**
-  — **Bolt**
-  — **Washer**
-  — **Nut**

Please email
Parts.US@Dhollandia.com
with liftgate **Serial Number**
to verify compatibility of parts.



Nr.	Code	Description
1	M1931.35.20	Spacer ring ω 35/31x20mm
2	M1830.30T	Bearing bush ϕ 30x30mm
3	M0414	End stop rubber DH-SM,...
4	M1730.093.P50.L	Pin ϕ 30x93mm - 50cc
5	M1830.50T	Bearing bush ϕ 30x50mm
6	MM.3C.1212.400	Suspension plate #120 - 400mm
7	XF.RP.15.04.1100.095*	Frame RP.15.04
8	XH.RP.15.04.1504.1100.0820*	Lift arm RP.15.04
9	VRW110.09.R	Torsion spring right ω 9.5 7W
10	M1730.097	Pin ϕ 30x97mm - 50cc
11	CF.RP.15.04.0820.G	Fixed stabiliser RP.15.04 820cc
12	XB.R.0273.2200.MC.1122.2.G	Bumper RP.15.04 273-2200mm
13	M0600	Closing cap bumper tube ϕ 100
14	M1730.077.P50.L	Pin ω 30x77mm - 50cc
15	M1338.108.B	Swing bracket RP.15.04 - 108cc -B-
16	VRW110.09.L	Torsion spring left ω 9.5 7W
17	M0920.487.B	Unfold guide adjustable RP.15
18	M1914.19.10	Spacer bush ϕ 14/19x10mm
19	M0901	Roll PVC ϕ 65/13x15mm
20	MV1006.0140	Profile yellow PVC ϕ 60x6mm - 140mm
21	M1730.259.P40.L	Pin ω 30x259mm
22	M1830.30F	Bearing bush flange ϕ 30x30mm BR
23	M1725.054.M14	Pin end stop RP ω 25/20x54mm - M14
24	M1830.20T	Bearing bush ϕ 30x20mm

Nr.	Code	Description
25	BT20.050	Bolt M20x50
26	BTFF16.045	Bolt flange M16x1.5x45 Metric Fine
27	BT12.045	Bolt M12x45
28	BT10.075	Bolt M10x75
29	BT10.050	Hexagon bolt M10x50mm
30	BT10.030	Bolt M10x30
31	BT08.025	Bolt M8x25
32	BT08.016	Bolt M8x16
33	BI14.045	Allenbolt M14x45mm
34	BI14.035	Allenbolt with head M14x35mm
35	BC14.2	Spring washer M14
36	BC08.2	Spring washer M8
37	BMB20	Locking nut M20
38	BMFF16	Nut flange M16x1.5
39	BMB12	Locking nut M12
40	BMB10	Locking nut M10
41	BMB08	Locking nut M8
42	BRB48.9.C	Rivet conical ϕ 4.8x9mm



Drawing nr.:

RP.15.04-02

Description:

Frame compl. RP.15.04 - (> 2024)

one spring

Main group:

Taillift types

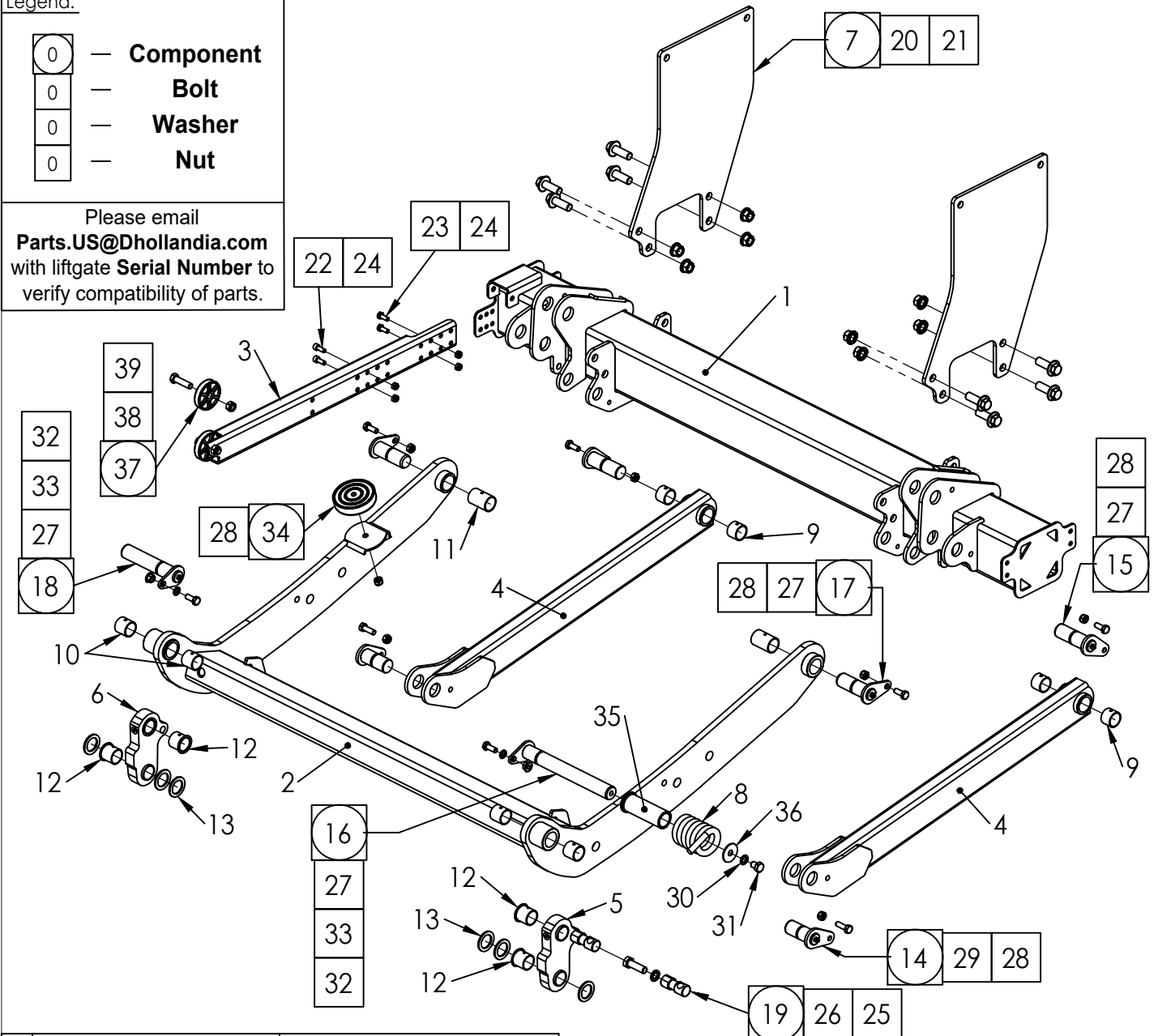
Subgroup:

Fold-away lifts

Legend:

- 0 — **Component**
- 0 — **Bolt**
- 0 — **Washer**
- 0 — **Nut**

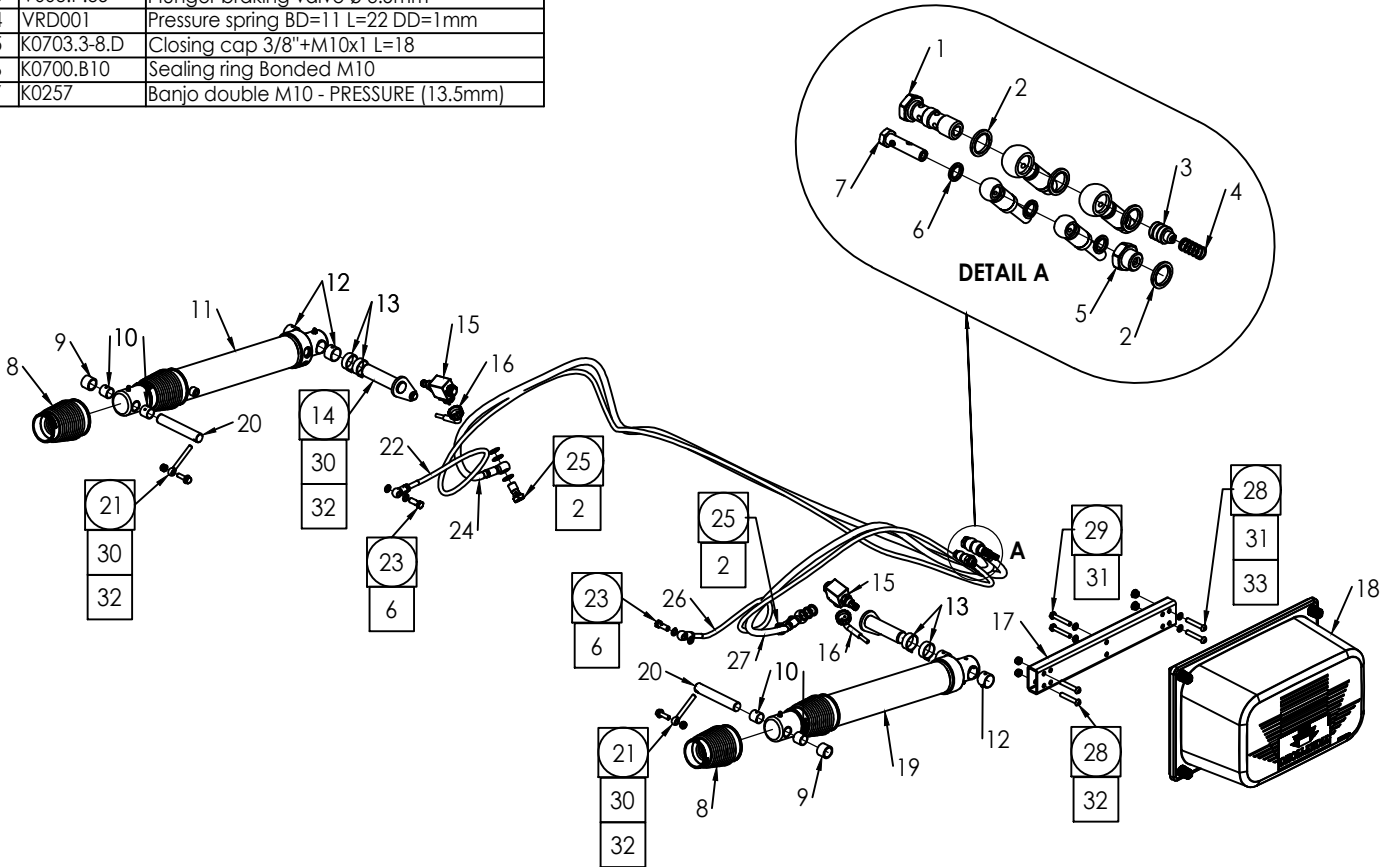
Please email
Parts.US@Dhollandia.com
with liftgate **Serial Number**
to verify compatibility of parts.



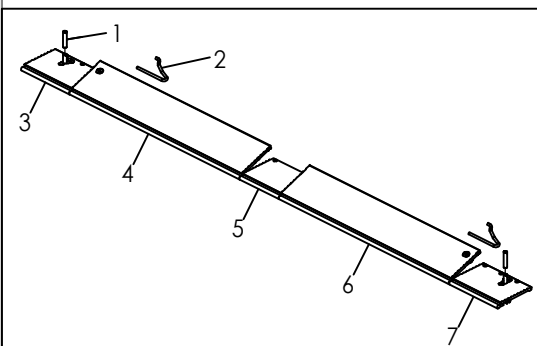
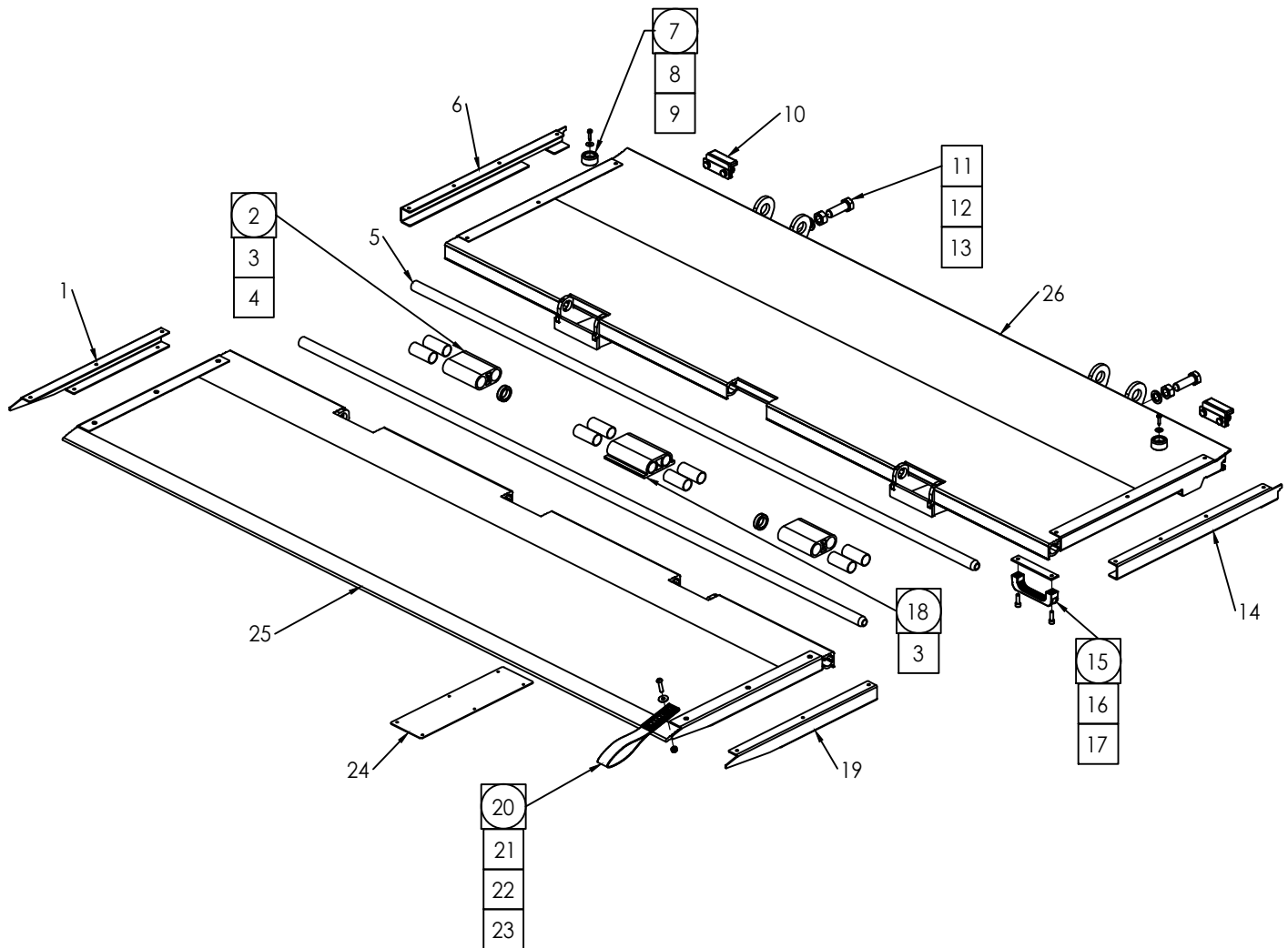
Nr.	Code	Description
1	XF.RP.15.04.1100.095.1556.G	Frame RP.15.04
2	XH.RP.15.04.1100.0820.G	Lift arm RP.15.04
3	XUG.RP.15.0740	Unfold guide fixed RP.15.04
4	CF.RP.15.04.0820.G	Fixed stabilizer RP.15.04
5	M1338.108.C.SR	Swing bracket RP.15.04 - 108cc (right)
6	M1338.108.C.SX	Swing bracket RP.15.04 - 108cc (left)
7	MM.3C.1212.400	Suspension plate #120 - 400mm
8	VRW103.13.R	Torsion spring right RP.15 ø13
9	M1830.25T	Bearing bush ø30x25mm
10	M1830.30T	Bearing bush ø30x30mm
11	M1830.50T	Bearing bush ø30x50mm
12	M1830.30.F	Bearing bush flange ø30x30mm BR
13	M0875.3	Ring roller DHSM ø30/45x3mm
14	M1730.077.P50.L	Pin ø30x77mm - 50cc
15	M1730.097.P50.L	Pin ø30x97mm - 50cc
16	M1730.262.P40.L	Pin ø30x262mm - 40cc
17	M1730.093.P50.L	Pin ø30x93mm - 50cc
18	M1730.157.P40.L	Pin ø30x157mm - 40cc
19	M1725.065.052.15	Pin torsion spring
20	BTFF16.045	Bolt flange M16x1.5x45 Metric Fine

Nr.	Code	Description
21	BMFF16	Nut flange M16x1.5
22	BI08.020	Allenbolt with head M8x20
23	BT08.020	Bolt M8x20
24	BMB08	Locking nut M8
25	BC14.2	Spring washer M14
26	BT14.045	Bolt M14x45
27	BT10.025	Bolt M10x25
28	BMB10	Locking nut M10
29	BT10.030	Bolt M10x30
30	BC12.2	Spring washer M12
31	BT12.016	Hexagon bolt M12x16
32	BMF10	Nut flange M10
33	BC10.2	Spring washer M10
34	M0414	End stop rubber DH-SM,...
35	m1930.39.110	Spacer bush torsion spring ø30/39x110mm
36	M1912.42.2	Washer ø42/12.5 x 2mm
37	M0901	Roll PVC ø65/13x15mm
38	BT12.045	Bolt M12x45
39	BMB12	Locking nut M12

Nr.	Code	Description
1	K0188	Banjo double 3/8"
2	K0700.3-8	Sealing ring 3/8"
3	V003.P.35	Plunger braking valve ø 3.5mm
4	VRD001	Pressure spring BD=11 L=22 DD=1mm
5	K0703.3-8.D	Closing cap 3/8"+M10x1 L=18
6	K0700.B10	Sealing ring Bonded M10
7	K0257	Banjo double M10 - PRESSURE (13.5mm)

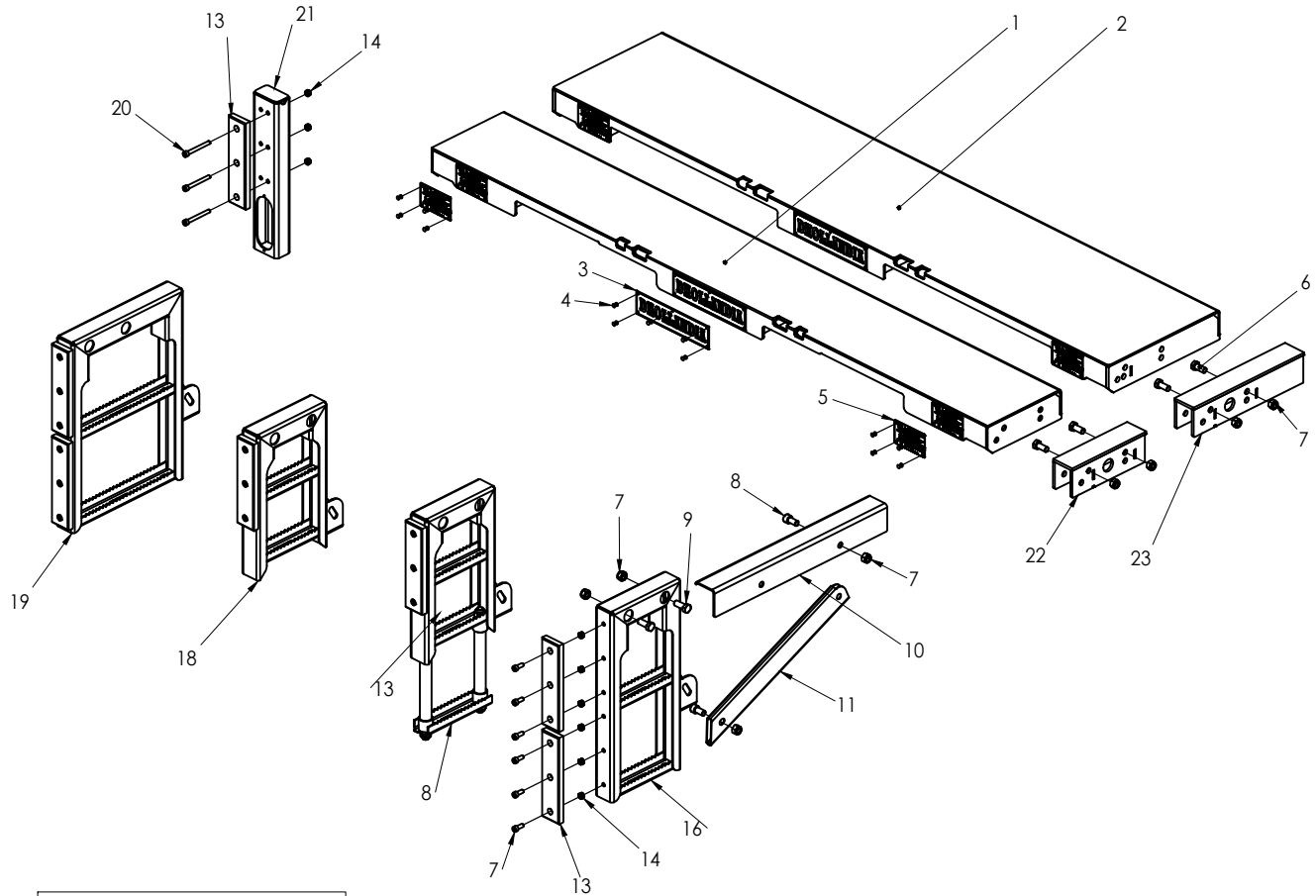


Nr.	Code	Description
8	M4970.54	Rubber sleeve 70x54mm
9	M1921.27.20	Spacer bush steel ø21/27x20mm
10	M1820.20T	Bearing bush ø20x20mm
11	CHD15.060.35.0260.L	Lift cylinder left DA ø60/35 K=260
12	M1827.20T	Bearing bush ø27x20mm
13	M1931.35.13	Spacer ring w35/31x13mm
14	M1727.110.P50	Pin w27x110mm - 50cc
15	V133.12	Safety valve SA 12V
16	E0086	Cable safety valve Costal
17	M1140.030	Fitting support reinforced
18	GJA.RMD.292226.35.301.S01	Hydr. power pack 12V 2kW 2.6cc
19	CHD15.060.35.0260.R	Lift cylinder right DA ø60/35 K=260
20	M1720.121.B008B.Z	Pin w20x121 - B008B
21	BO08.070	Eye bolt w8x70mm
22	KSPT.2600.O13O13	HP hose 3/16" E-E 2600mm
23	K0256	Banjo simple M10 - PRESSURE (13.5mm)
24	KSHT.2300.O38O38	HP hose 1/4" E-E 2300mm
25	K0172	Banjo simple 3/8"
26	KSPT.1500.O13O13	HP hose 3/16" E-E 1500mm
27	KSHT.1200.O38O38	HP hose 1/4" E-E 1200mm
28	BI08.055.7380	Allenbolt with rounded head M8x55
29	BT08.050	Bolt M8x50
30	BTf08.025	Bolt flange M8x25
31	BC08.2	Spring washer M8
32	BMB08	Locking nut M8
33	BMF08	Nut flange M8



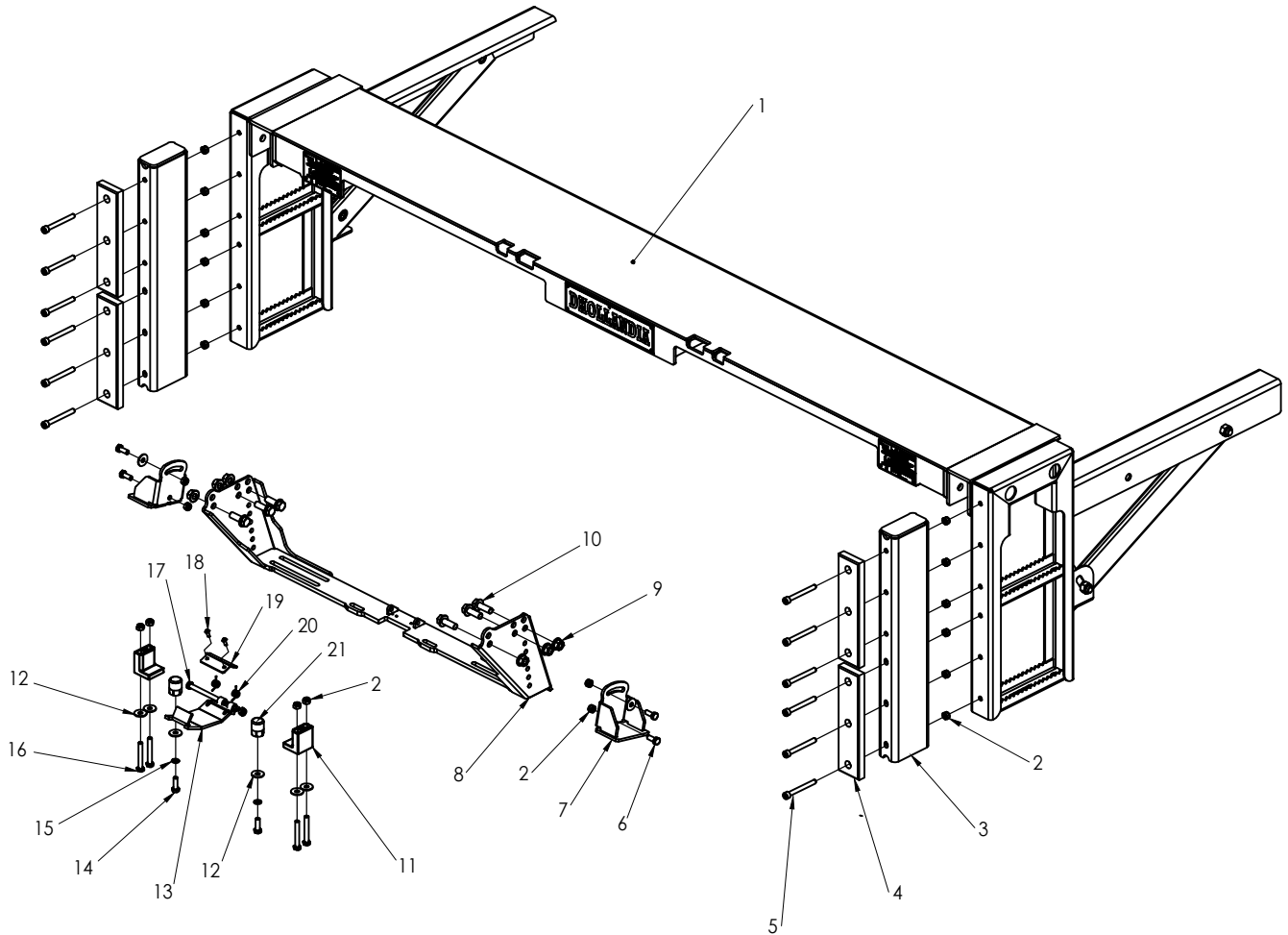
Nr.	Code	Description
1	BP08.40.I	Lever pallet stop
2	VRX059	Spring pallet stops
3	M0972.210.L	Pallet stop assembly left 210mm
4	M0973.A.0825.L	Pallet stop left Automatic 825mm
5	M0977.A.60	Intermediary profile pallet stop 60mm
6	M0973.A.0825.R	Pallet stop right Automatic 825mm
7	M0972.210.R	Pallet stop assembly right 210mm

Nr.	Code	Description
1	M3635.0600.L*	Side lip plt Alu point left - 600mm
2	M0544.50.117	Hinge platform point ALU - 50cc 117mm
3	M0545	Bearing bush hinge PVC
4	M1927.11	Spacer bush ø27.5-40x11 mm
5	M1727.2000	Pin platform point ø27x2000mm
6	M3642.0650.B.L*	Side lip plt left ALU - 650mm
7	M0868.20	Rubber ring ø40x20mm
8	BP05.25.7504K	Screw platform lights 5x25mm
9	BC06.3	Washer body M6
10	M1432.S	End stop fixed part ALU RC.10
11	BT20.060	Bolt M20x60
12	BMZ20	Nut M20
13	BC20.2	Spring washer M20
14	M3642.0650.B.R*	Side lip plt right ALU - 650mm
15	M1406	Handle platform PVC
16	BI08.025	Allenbolt with head M8x25
17	M1406.A	Fixation bar handle M1406
18	M0543.140	Hinge flange 140mm
19	M3635.0600.R	Side lip plt Alu point right - 600mm
20	M0897.B	Handle point -B-
21	BI08.035.7380	Allenbolt with rounded head M8x35mm
22	BC08.3	Washer body M8 - ø24
23	BMB08	Locking nut M8
24	M3407.400.B	Protection platform RP - 400mm -B-
25	XP.P.0600*	Platform point 600mm
26	XP.K.0650*	Platform fixed part 650mm



NOTE:
Only passenger side (right side) configurations shown. Please see details in table for driver's side (left side) configurations.

Ref	Part / (Right)	Part (Left)	Description
1	M0803.RP.1X.2289		standard bed extension
2	M0803.RPRM.2289.D		18" deep bed extension
3	M0854		plate mark DHOLLANDIA
4	BR48.16		Rivet ø4.8x16mm
5	EF0598.US		safety plate - CRUSH HAZARD
6	BT16.035		Bolt M16x35
7	BMB16		Locking nut M16
8	BI16.030		Allenbolt with head M16x30
9	BT16.040		Bolt M16x40
10	M0942.06		step floor brace
11	M0954.R	M0954.L	step angle brace
12	BI10.025		Allenbolt with head M10x25
13	M0945.0290		synthetic bumper pad
14	BMB10		Locking nut M10
15	M0953.0638.SR	M0953.0638.SL	standard dual step set
16	M0953.0486.B.SR*	M0953.0486.B.SL*	standard flex step set
17	M0943.C		flex step piece set (1x)
18	M0953.0486.SR	M0953.0486.SL	standard single step set
19	M0953.0638.C.SR	M0953.0638.C.SL	18" dual step set
20	BI10.090		Allenbolt with head M10x90
21	I1140.S*		step single light adapter tube
22	M0803.RPRM.0079.C.S		standard 102" widening block set (1x)
23	M0803.RPRM.0079.D.S		18" deep 102" widening block set (1x)



Ref	Part	Description	QTY
1	M0803....	Bed extension assembly	1
2	BMB10	Locking nut M10	21
3	M0803.RPRM.B.625	Walk ramp spacer tube double	2
4	M2020.300	Rubber bumper block 300x60x52 mm	4
5	BI10.160	Allenbolt with head M10x160	12
6	BT10.025	Bolt M10x25	4
7	MO946.B	Platform upstop bracket	2
8	9548.B.S*	Walk ramp hanger frame	1
9	BMFF14	Locking nut flange M14x1.5	6
10	BTFF14.040	Bolt flange M14x1.5 x40 10.9	6
11	GK1440*	Block synthetic M1440	2
12	BC10.3	Washer CARROSS M10	8
13	9550.S*	Lock walk ramp kit	1
14	BT10.030	Bolt M10x30	2
15	BC10.2	Spring washer M10	2
16	BT10.070	Bolt M10x70	4
17	BT10.110	Bolt M10x110	1
18	BI06.016.7380	Allenbolt with rounded head M6x16	2
19	9553*	protection lock walk-ramp kit	1
20	VRT105	Lock walk ramp kit spring	2
21	9555*	end stop bolt walk-ramp kit	2