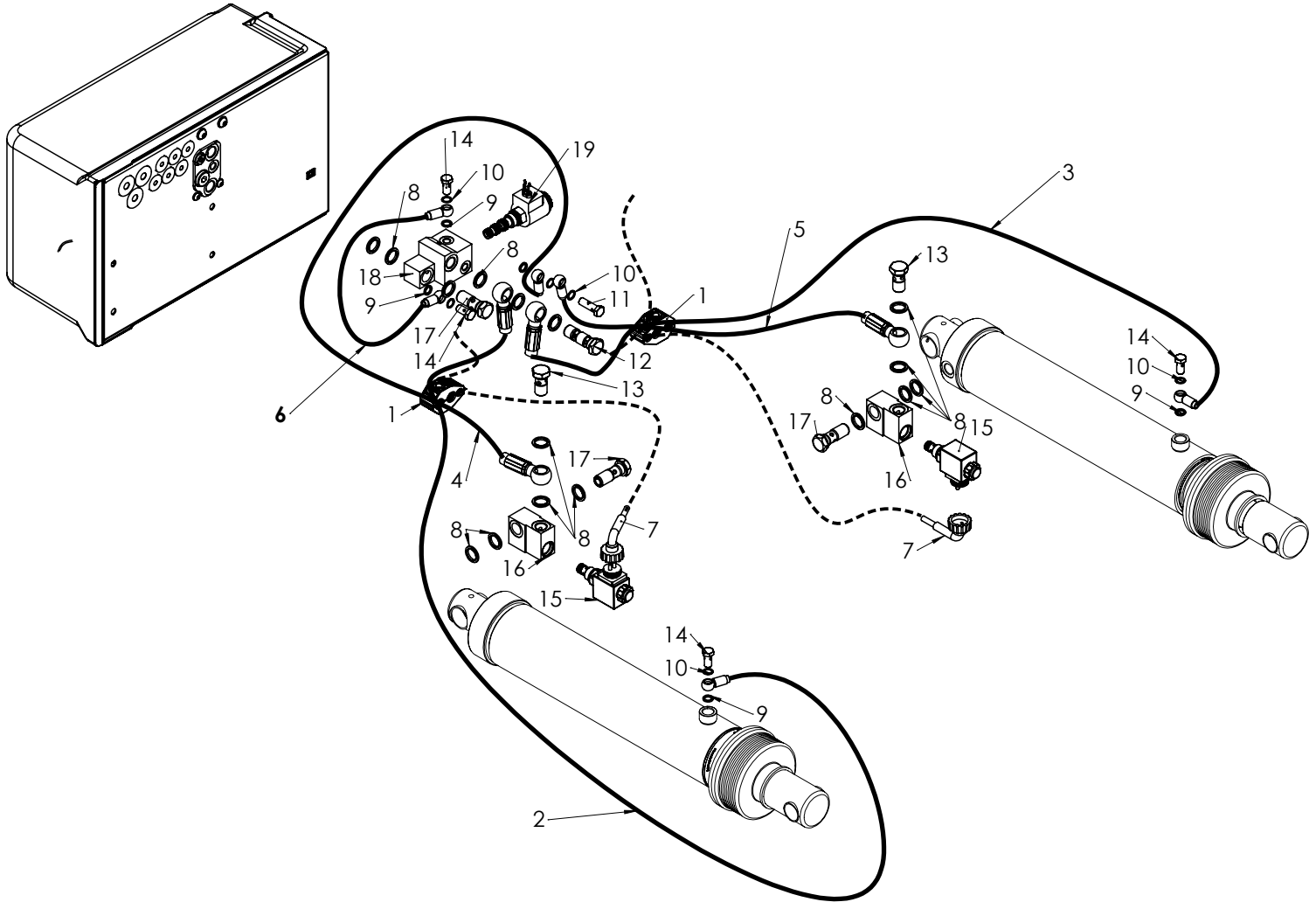
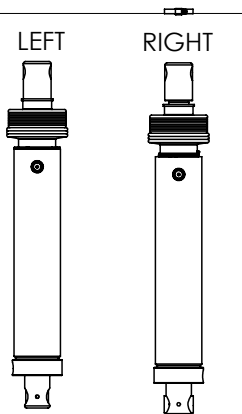
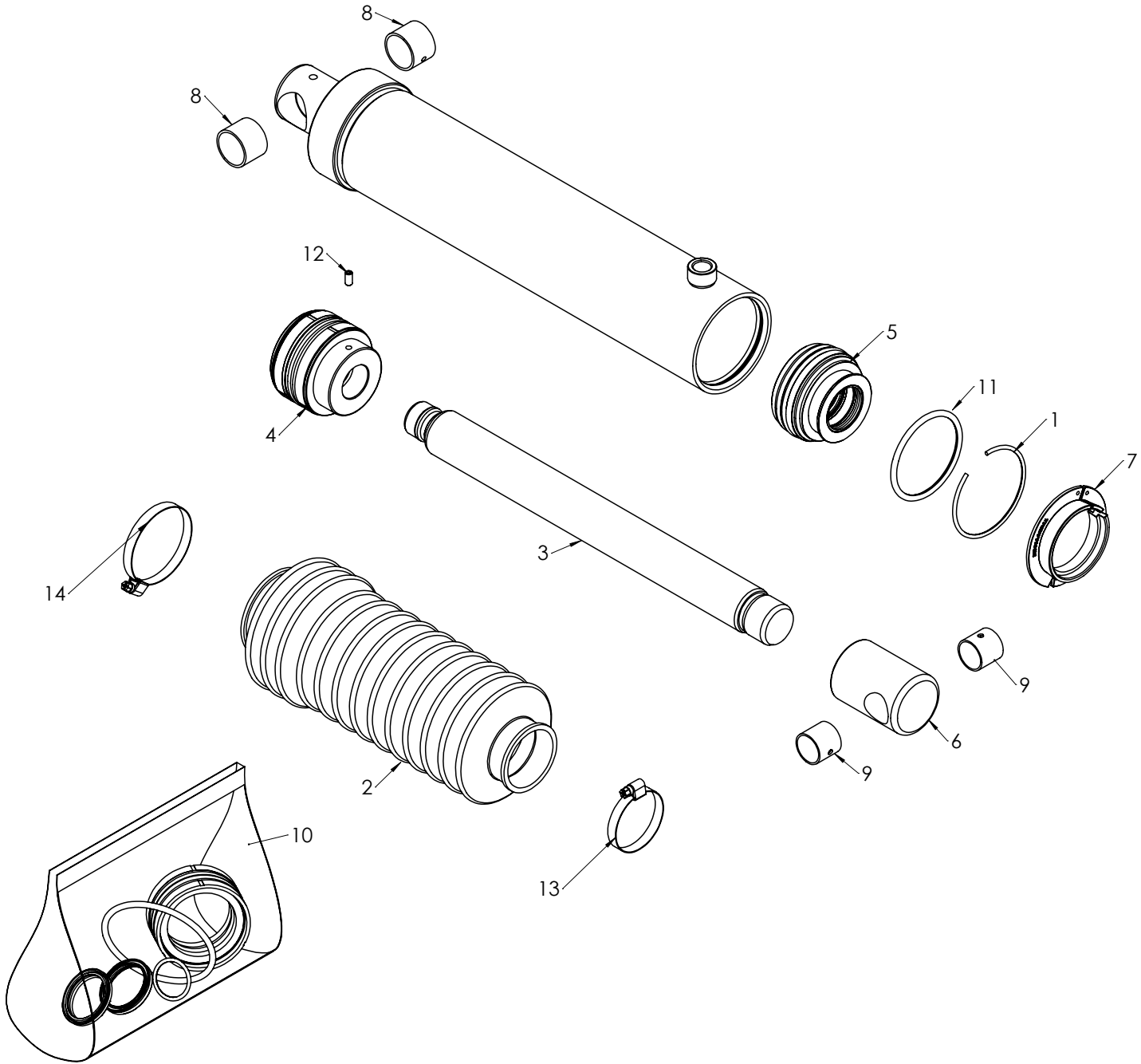


Pos	Code	Description	QTY
1	XF.RM.25.01.CA.O.VK	Frame RM.25.01 + Snr	1
2	XH.RM.25.01.CA.LE	Lift arm RM.25.01 + Snr	1
3	M2905.L	Bumper suspension left RM.25	1
4	CF.RM.25.01.0922	Fixed stabiliser RM.25 922cc	2
5	M1334.B.L	Swing bracket left RM.25 -B-	1
6	M1334.B.R	Swing bracket right RM.25 -B-	1
7	M3138.B.R	Mounting plate power pack right RM.25 -B-	1
8	MM.4.1515.443.L	Mounting plate left #150 - 445mm	1
9	MM.4.1515.443.R	Mounting plate right #150 - 443mm	1
10	XB.S.0265.0580.MB.A.O	Bumper tube centre RM.25 265-580	1
11	XB.S.0627.0199.ML.A.L	Bumper suspension centre-L RM.25 627-199	1
12	XB.S.0627.0199.ML.A.R	Bumper suspension centre RM.25 627-199	1
13	XB.S.0627.0263.OL.A.L	Side bumper left 627-263mm	1
14	XB.S.0627.0263.OL.A.R	Side bumper right 627-263mm	1
15	M1735.238.P50.D	Pin ø35x238mm 50cc	2
16	M1740.166.P50.L	Pin ø40x166mm - 50cc	2
17	M1735.088.P50.L	Pin ø35x88mm 50cc	4
18	VRT104.7	Retraction spring BD=45 L=300 DD=7	2

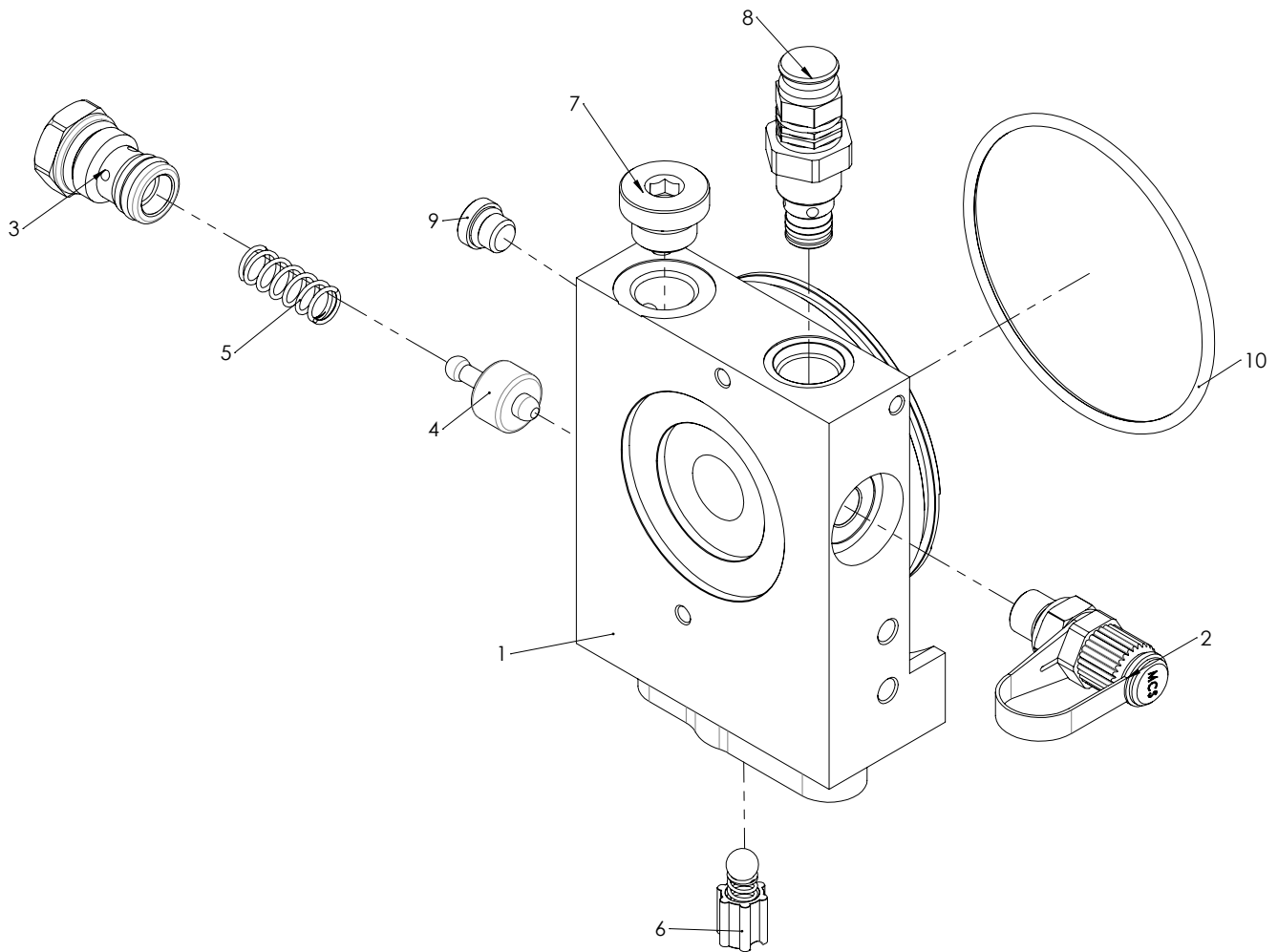
Pos	Code	Description	QTY
19	M2904.L	Support platform LEFT	1
20	M2904.R	Support platform RIGHT	1
21	M2901	Fixation bracket bumper bar - M1975.31.30	2
22	M1975.31.30	Platform roller ø75/31x30mm	2
23	M0379	Roll platform SO/RC (50mm)	2
24	M2903	Hydraulic assembly RM.25	1
25	M1730.093.P50.L	Pin ø30x93mm - 50cc	2
26	M1725.092	Pin ø25x92mm - 50cc	2
27	M1835.30T	Bearing bush ø35x30mm	4
28	M1840.30T	Bearing bush ø40x30mm	8
29	M1835.50T	Bearing bush ø35x50mm	2
30	GFH.600	Hydr.power pack horizontal	1
31	M1720.092	Pin spring ø20x92mm - M12/S27	2
32	M2902.L	Support left VRT104.7	1
33	M2902.R	Support right VRT104.7	1
34	BO12.070.D	Eye bolt M12x70mm	2
35	M1830.20T	Bearing bush ø30x20mm	4
36	CHD05.L	Lift cylinder left CHD05 + Snr	1
37	CHD05.R	Lift cylinder right CHD05 + Snr	1
38	M1830.25T	Bearing bush ø30x25mm	4
39	M1825.25T	Bearing bush ø25x25mm	4



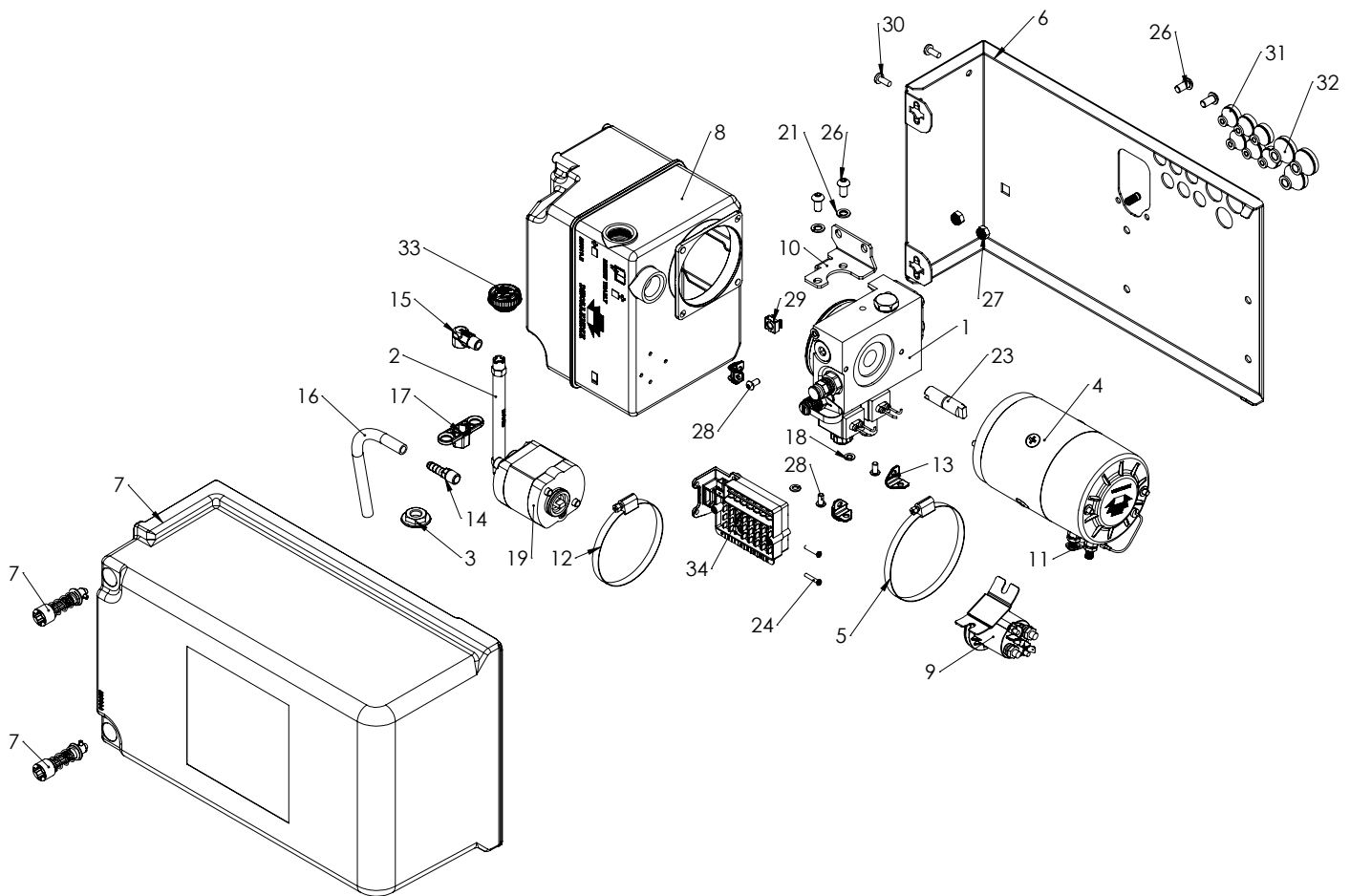
Pos	Code	Description	QTY
1	K0224	Bracket hose K0224	2
2	KSL2300.OO	LP hose E-E 2300mm	1
3	KSH2150.OO	HP hose E-E 2150 mm	1
4	KSL1400.OO	LP hose E-E 1400mm	1
5	KSH1200.OO	HP hose E-E 1200 mm	1
6	KSL0300.OOQ	LP hose E-E 90° 300MM	1
7	E0086	Cable safety valve Costal	2
8	K0700.3-8	Sealing ring 3/8"	16
9	K0700.10X2	Sealing ring 10x2mm	6
10	K0700.10X1	Sealing ring 10x1mm	6
11	K0112	Banjo double M10x1	1
12	K0188	Banjo double 3/8"	1
13	K0172	Banjo simple 3/8"	2
14	K0110	Banjo simple M10x1	4
15	V133.24	Safety valve SA 24V	1
15	V133.12	Safety valve SA 12V	2
16	V132.B	Block safety valve cylinder voor V133	2
17	K0150	Banjo logical valve	3
18	V197.Z	Logical valve empty V197	1
19	V178.24	Valve 4/2 - 24V	1
19	V178.12	Valve 4/2 - 12V	1



Pos	Code	Description
1	VRX085.80	Spring ring ø80mm
2	M4917	Rubber sleeve 70x50mm
3	M4640.426	Rod lift cylinder ø40x426mm
4	M4503.080	Piston DA ø80 2008-..
5	M4240.080.AP	Cylinder head ø80-40 -AP-
6	M4033.054	Extension 54cc - M37
7	M1991.57	Ring cylinder dia 80
8	M1830.25T	Bearing bush ø30x25mm
9	M1825.25T	Bearing bush ø25x25mm
10	DSD080.40	Seal set DA 40-80
11	DO072.5	O-ring 72x5 mm
12	BB06.12.PC	Allenbolt headless M6x12 PC
13	M4901.055	Collar ø55
14	M4901.070	Collar ø70

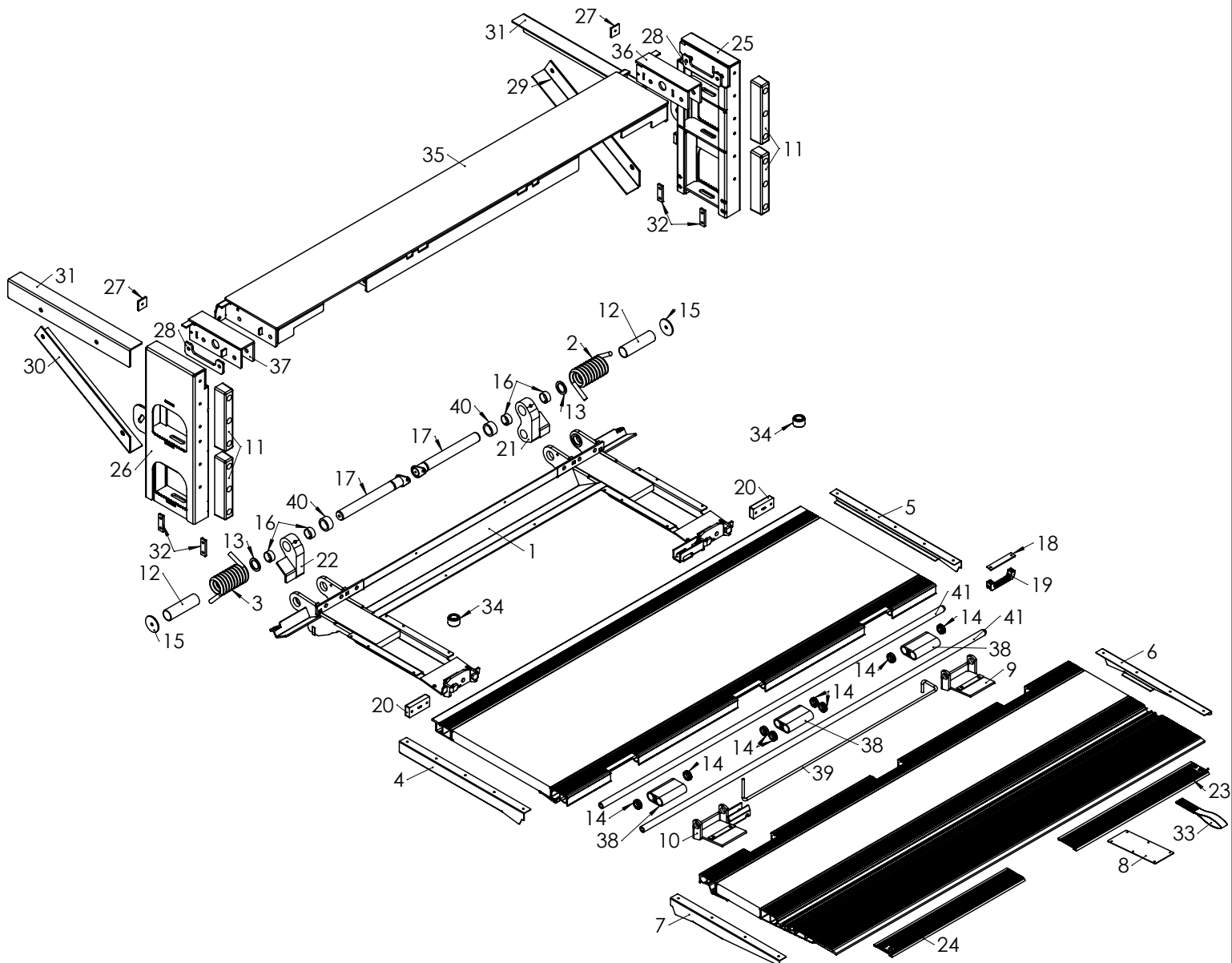


Pos	Code	Description	QTY.
1	V191.B.Z	Valve empty V191.B	1
2	K0107	Coupling pressure gauge	1
3	K0157	Nut switch plunger 1/2"	1
4	K0168.D	Switch plunger K0168 -D-	1
5	VRD117.125	Pressure spring stainless steel $\varnothing$ 1.25	1
6	K0153.B	No return valve .B (VRD002.100)	1
7	K0702.18	Closing cap M18x1.5 SW24 12mm	1
8	V139	Pressure relief valve DHO M18	1
9	K0702.10	Closing cap M10x1	1
10	DO090.35	O-ring $\varnothing$ 90x3.5	1



Pos	Code	Description	QTY
1	V171.17.D.12.25	Logical valve DA V171 P17 12V ø2.5	1
1	V171.17.D.24.25	Logical valve DA V171 P17 24V ø2.5	1
1	V171.17.X.12.25	Logical valve V171 P17 12V ø2.5	1
1	V171.17.X.24.25	Logical valve V171 P17 24V ø2.5	1
1	V171.22.D.12.25	Logical valve DA V171 P22 12V ø2.5	1
1	V171.22.D.24.25	Logical valve DA V171 P22 24V ø2.5	1
1	V171.22.X.12.25	Logical valve V171 P22 12V ø2.5	1
1	V171.22.X.24.25	Logical valve V171 P22 24V ø2.5	2
1	V191.B.25	Logical valve V191.B - ø2.5	1
1	V191.B.35	Logical valve V191.B - ø3.5	1
1	V191.B.45	Logical valve V191.B - ø4.5	1
2	K0360.155	Hydraulic pipe synthetic 1/4" - 155mm	1
3	F025	Filter 1/4" - ø32mm	1
4	MP013	Motor 24V 2kW block	1
5	M4901.130	Collar ø130	1
6	M3143.V191.B	Mounting plate power pack V191.B	1
6	M3143.V171.HP	Mounting plate power pack V171 HP	1
6	M3143.V171.CH2	Mounting plate power pack V171 CH2	1
6	M3143.V171.CH	Mounting plate power pack V171 CH	1
6	M3143.A	Mounting plate power pack 5l -A-	1
7	M3066	Cover hydr.power pack 5l	1
8	M3019.H	Tank horizontal 5l	1
9	E0634.24	Relay round TRBT 24V 150A	1
10	V171.A	Fixation bracket valve V171	1

Pos	Code	Description	QTY
11	E0064.35.T8	Connection motor Twisted 35cc ø8	1
12	M4901.100	Collar ø100	1
13	M2999	Fixation bracket tank	3
14	K0228	Coupling return hose 1/4"	1
15	K0232	Coupling perpendicular 1/4"	1
16	K0234.200	LP hose ø8/12 L=200mm	1
17	K0233	Holder return hose	1
18	BC06.2	Spring washer M6	5
19	P022.20	Pump 2.0cc	1
20	BC08.1	Washer flat M8	4
21	BC08.2	Spring washer M8	4
22	BI08.075	Allenbolt M8x75mm	2
23	P900.56	Connection motor P022 - 56mm	1
24	BP03.20	Screw wander lead ø3x20	2
25	BI06.016.7380	Allenbolt M6x16 DIN7380	2
26	BI08.016.7380	Bolt M8x16 DIN7380	4
27	BMB08	Locking nut M8	2
28	BI06.012.7380	Allenbolt met bolkop M6x12mm	3
29	BMK08.2-3	Nut M8 KOOI 2/3mm	1
30	BP06.16	Screw battery switch	2
31	E0793	Lead through rubber E0793	6
32	E0793.M25	Lead through rubber E0793.M25	3
33	F022.OG	Air release cap orange 3/4	1
34	E2051	Connection block hydr.power pack >2010	1



Pos	Code	Description
1	XDK.RM.25.01.CA.O.LE	Platformhand set RM.25.01 + Snr
2	VRW105.16.R	Torsion spring right ø16
3	VRW105.16.L	Torsion spring left ø16
4	M3575.R	Side lip plf right RM.25
5	M3575.L	Side lip plf left RM.25
6	M3574.R	Side lip plf right RM.25 - 800mm
7	M3574.L	Side lip plf left RM.25 - 800mm
8	M3407.280	Protection platform RP 365mm
9	M2906.R	Fixation bar right RM.25 - POINT
10	M2906.L	Fixation bar left RM.25 - POINT
11	M2020	Rubber closing cap 300x60x52 mm
12	M1942.48.165	Bush ø42/48x165mm
13	M1941.57.5	Washer ø41/57 x 5mm
14	M1927.11	Spacer bush ø27.5-40x11 mm
15	M1913.73.5	Washer ø13/73 x 5mm
16	M1840.20T	Bearing bush ø40x20mm
17	M1740.359.P50.L	Pin ø40x359mm 50cc
18	M1406.A	Fixation bar handle M1406
19	M1406	Handle platform PVC
20	M1404.F	End stop rubber 118x50

Pos	Code	Description
21	M1335.R	Swing bracket platform RM.25 RIGHT
22	M1335.L	Swing bracket platform RM.25 LEFT
23	M0973.M.LE.R	Pallet stop right MECH. ...mm
24	M0973.M.LE.L	Pallet stop left MECH. ...mm
25	M0942.R	Side profile rear floor beam RM.25 RIGHT
26	M0942.L	Side profile rear floor beam RM.25 LEFT
27	M0942.05	Fixation bar RM.25
28	M0942.04	Fixation bar RM.25
29	M0942.03.R	Fixation profile right RM.25
30	M0942.03.L	Fixation profile left RM.25
31	M0942.02	Fixation profile rear floor beam RM.25
32	M0942.01	Fixation bar M12
33	M0897.B	Handle point
34	M0868.30	Rubber ring ø50x30mm
35	M0803.RM25.2368	Rear floor beam cargo floor RM25 - 2368mm
36	M0803.RM25.0079.R	Side support right M0803.RM25 - 79mm
37	M0803.RM25.0079.L	Side support left M0803.RM25 - 79mm
38	M0544.140	Hinge platform point ALU 140mm
39	VRX098.10	Torsion spring L=1138 DD=10
40	M1941.55.26	Spacer bush ø41/55 x 26.5mm
41	M1727.2000	Pin platform point ø27x2000mm