



8fuk]b['bf".

FD'%' '\$' !'\$%

8YgWfdhcb.

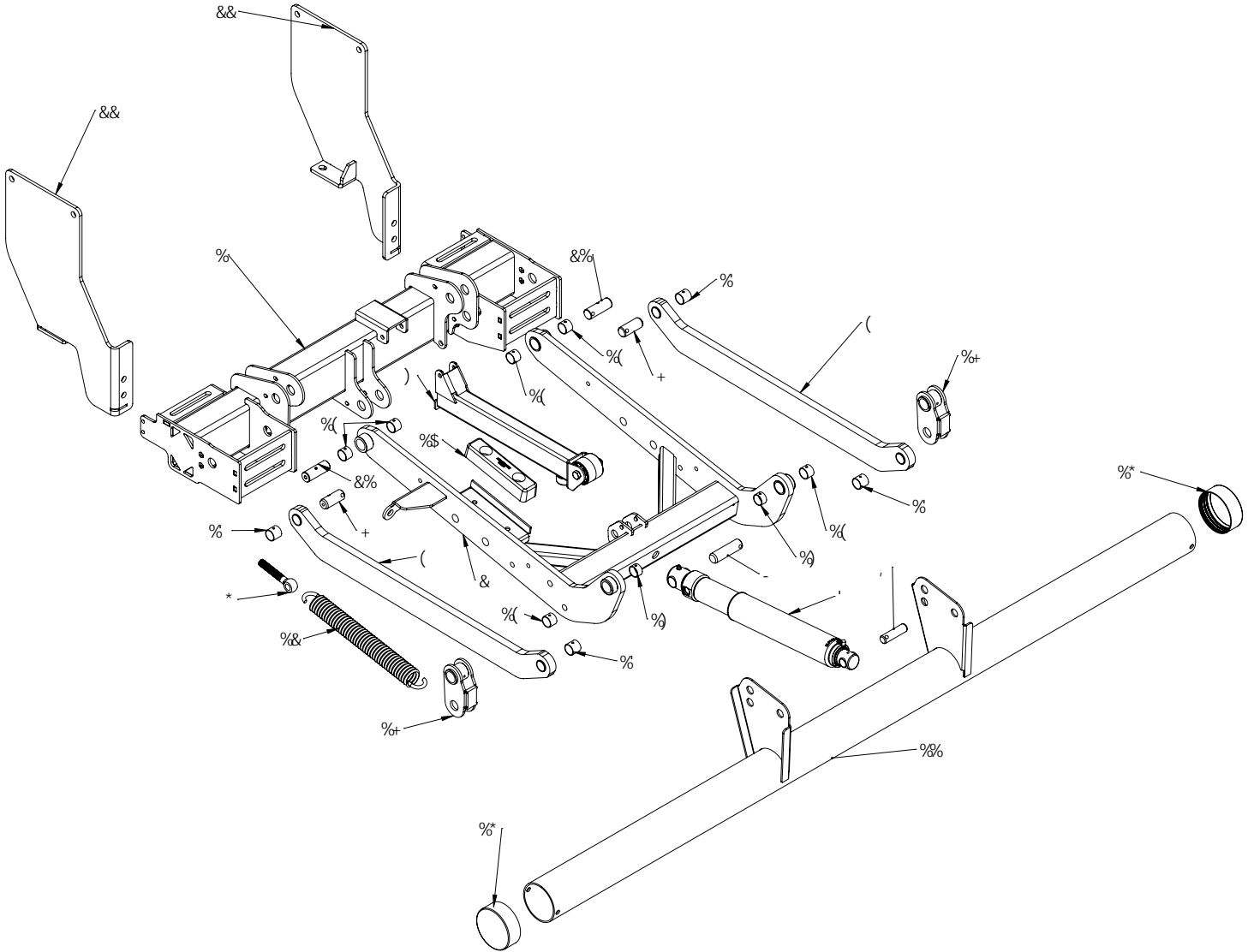
: fUa YWta d' "FD'%' '\$' 'Ž' Gbf

A U]b[' fci d.

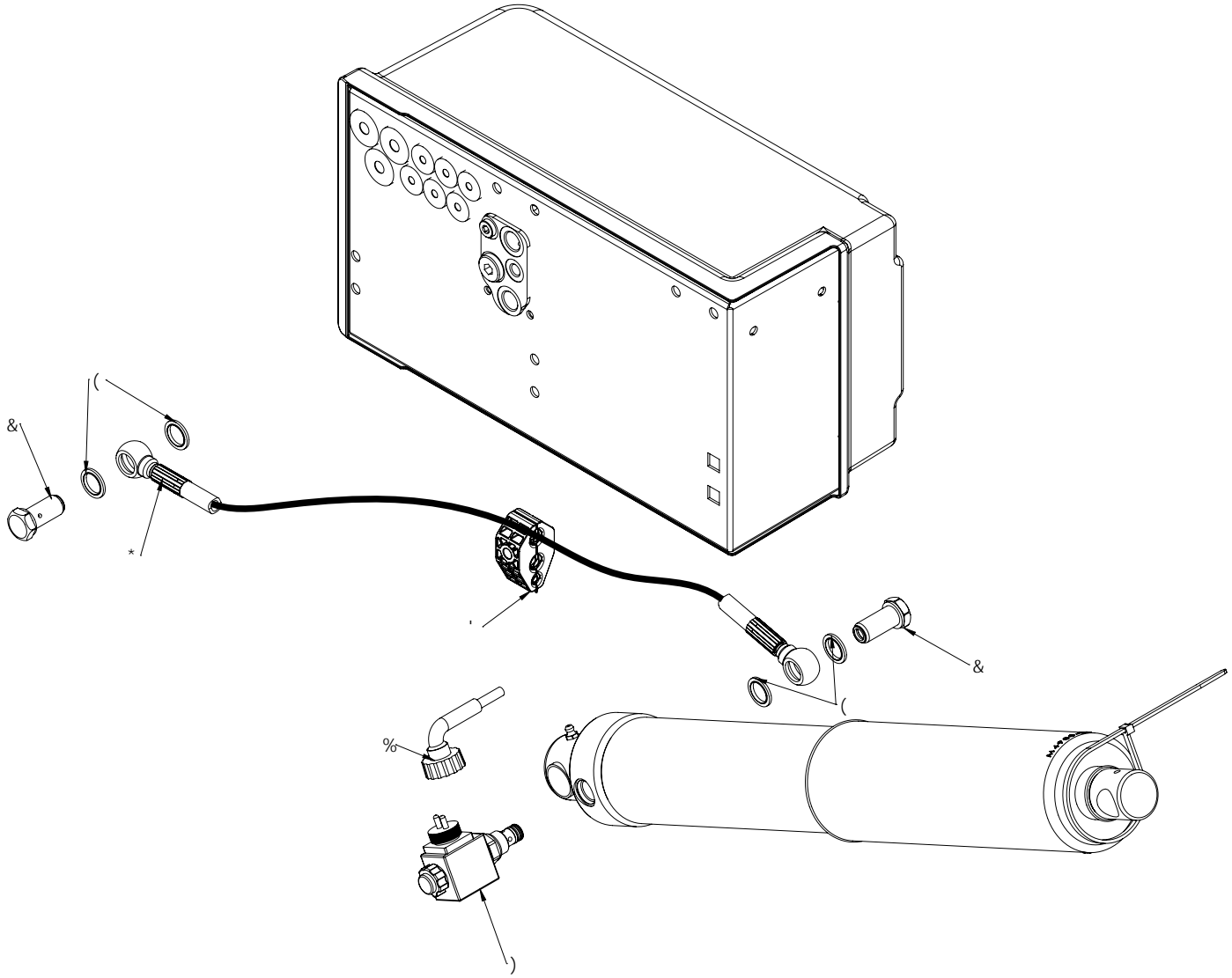
HUJ`jZihndYg

Gi V[' fci d.

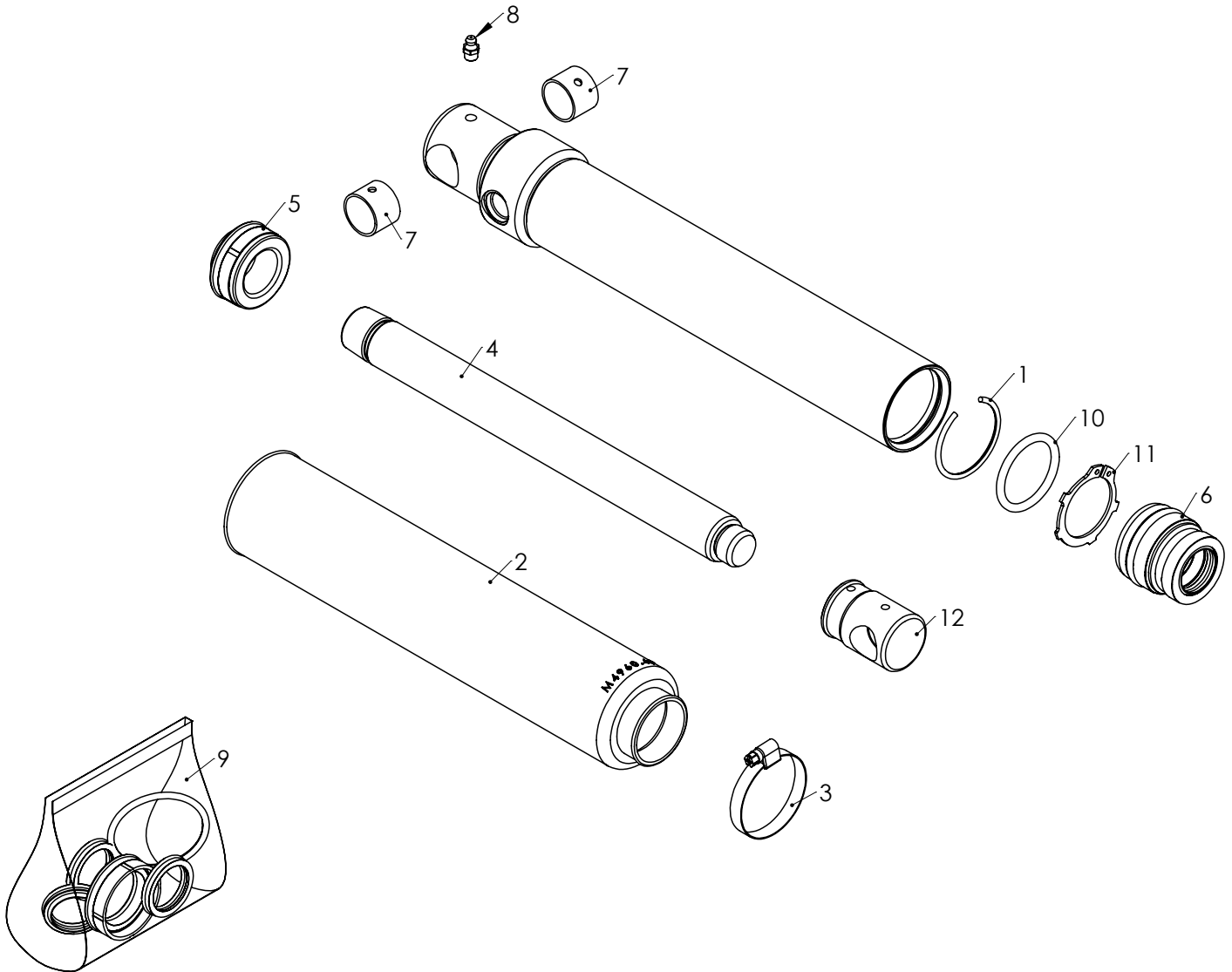
: c`X!Uk Um`jZg



| Dcg | 7cXY | 8YgWfdhcb |
|------|---|--|
| % | L: "FD'%' '\$' " "\$' *) "\$+ ' "%\$(' "; | : fUa Y FD'%' '\$' ' 751) *) ' C1+ ' ' ; 5@ 5 |
| & | L < "FD'%' '\$' "\$' *) "\$, \$\$ | @ZnUfa ' FD'%' '\$' %7 51) *) ' 5fa 1, \$\$ |
| ' | 7 <)' | @ZnWm]bXYf 7 <)' ' Ž' Gbf |
| (| 7: "FD'%' '\$' "\$' , \$\$ | :] YX ' gUV]] gY fFD'%' '\$' , \$\$WW |
|) | A \$- &\$' (- * | I bZ- X [i] XY FD (- * a a |
| * | 6C %* "%\$\$"8 | 9mY ' Vc hfyfUW]cb ' gd f]b[' A %' ! %\$\$ |
| + | A %+&) "\$* "\$6C \$, "6 | D]b » &) I * \$a a ! '6C \$, ' !6! |
| , | A %+&\$ "\$+ ' "6C \$, | D]b » &\$! + ' a a ! '6C \$, |
| - | A %+&) "\$, + "6C \$, | D]b » &) I, + a a ! '6C \$, |
| \$\$ | A %& '& | Fi VVYfV'cW_ &\$! (, ! ') |
| %% | L6'F "\$&) % @7A 7 "7 5 | 6i a dYfWc b gfi W]cb Wb hfy ' FD Ž' Gbf |
| %& | J F H "\$' " | FYfUW]cb ' gd f]b[' 681 () @' , \$ 881, |
| % | A % &) "%&) H | 6YUf]b[' Vi g' » &) I &) a a |
| %(| A % &) "%&\$ H | 6YUf]b[' Vi g' » &) I &\$a a |
| %) | A % &) "%&) H | 6YUf]b[' Vi g' » &) I %&) a a |
| %* | A \$* "\$ | 7 ' c g]b[' Wud Vi a dYf h VY » %\$\$ |
| %+ | A % &- "\$, \$ | Gk]b[' VfUWYhd ' UhZcfa ' FD' , \$WW |
| % | A % &- "\$, \$ "6"@ | Gk]b[' VfUWYhd ' UhZcfa ' FD' "\$, \$WW @. H |
| % | A % &- "\$, \$ "6"F | Gk]b[' VfUWYhd ' UhZcfa ' FD' "\$, \$WW F ≠ < H |
| &\$ | L < "FD'%' '\$' "\$' *) "\$, \$\$"6 | @ZnUfa ' FD'%' '\$' %7 51) *) ' 5fa 1, \$\$' !6! |
| &% | A %+&) "\$* "\$6C \$, 6"F | D]b » &) I * - a a ! '6C \$, 6 |
| && | A A " " 7 "%&\$, "((\$\$ "G | A ci bh]b[' d' UH' ' gY h %&\$! , \$! (\$ \$a a |



| Dcg | 7cXY | 8YgWfdhcb |
|-----|----------------|---------------------------|
| % | 9\$\$, * | 7 UV`Y`gJYhmj Uj Y`7 cgU` |
| & | ? \$%- "N | 6Ub`c`Ya dhm? \$%- |
| ' | ? \$&&(& | 6fUW`Yh`cgY` ? \$&&(& |
| (| ? \$+\$\$" !, | GYU`]b[' f]b[' #, fii |
|) | J % ' "%& | GUZY`hmj Uj Y`G5`%&J |
|) | J % ' "&(& | GUZY`hmj Uj Y`G5`&(&J |
| * | ? G-&(\$\$`C C | <D`cgY`9!9%(\$\$a a |



| Pos | Code | Description |
|-----|--------------|---|
| 1 | VRX085.70 | Spring ring $\varnothing 70$ |
| 1 | VRX085.50 | Spring ring $\varnothing 50\text{mm}$ |
| 2 | M4960.40 | Rubber sleeve $\varnothing 60\text{-}\varnothing 40$ |
| 2 | M4980.35 | Rubber sleeve $\varnothing 80\text{-}\varnothing 35$ |
| 3 | M4901.055 | Collar $\varnothing 55$ |
| 4 | M4630.332 | Rod $\varnothing 30 \times 332\text{mm}$ |
| 4 | M4635.332 | Rod $\varnothing 35 \times 332\text{mm}$ |
| 5 | M4430.050.B | Piston SA $\varnothing 50\text{-}30$ -B- |
| 5 | M4435.070 | Piston SA $\varnothing 70\text{-}35$ |
| 6 | M4230.050.AC | Cylinder head interior $\varnothing 30\text{-}50$ |
| 6 | M4235.070.AC | Cylinder head with circlip $\varnothing 70\text{-}35$ |
| 7 | M1825.20T | Bearing bush $\varnothing 25 \times 20\text{mm}$ |
| 8 | M1701 | Grease nipple M8 |
| 9 | DSE070.35 | Seal set SA $\varnothing 70\text{-}35$ |
| 9 | DSE050.30 | Seal set SA $\varnothing 30\text{-}50$ |
| 10 | DO042.5 | O-ring $\varnothing 42 \times 5$ |
| 10 | DO062.5 | O-ring $\varnothing 62 \times 5$ |
| 11 | BC45.983 | Locking ring $\varnothing 45$ DIN 983 |
| 11 | BC72.983 | Locking ring DIN 983 $\varnothing 72$ mm |
| 12 | M4126.036 | Extension lift cylinder 36cc |



8fUk]b['bF".

; : <

8YgWfdhjb.

<nXf'dck Yf'dUW_ \ cf]ncbUJ_Ž'GbF

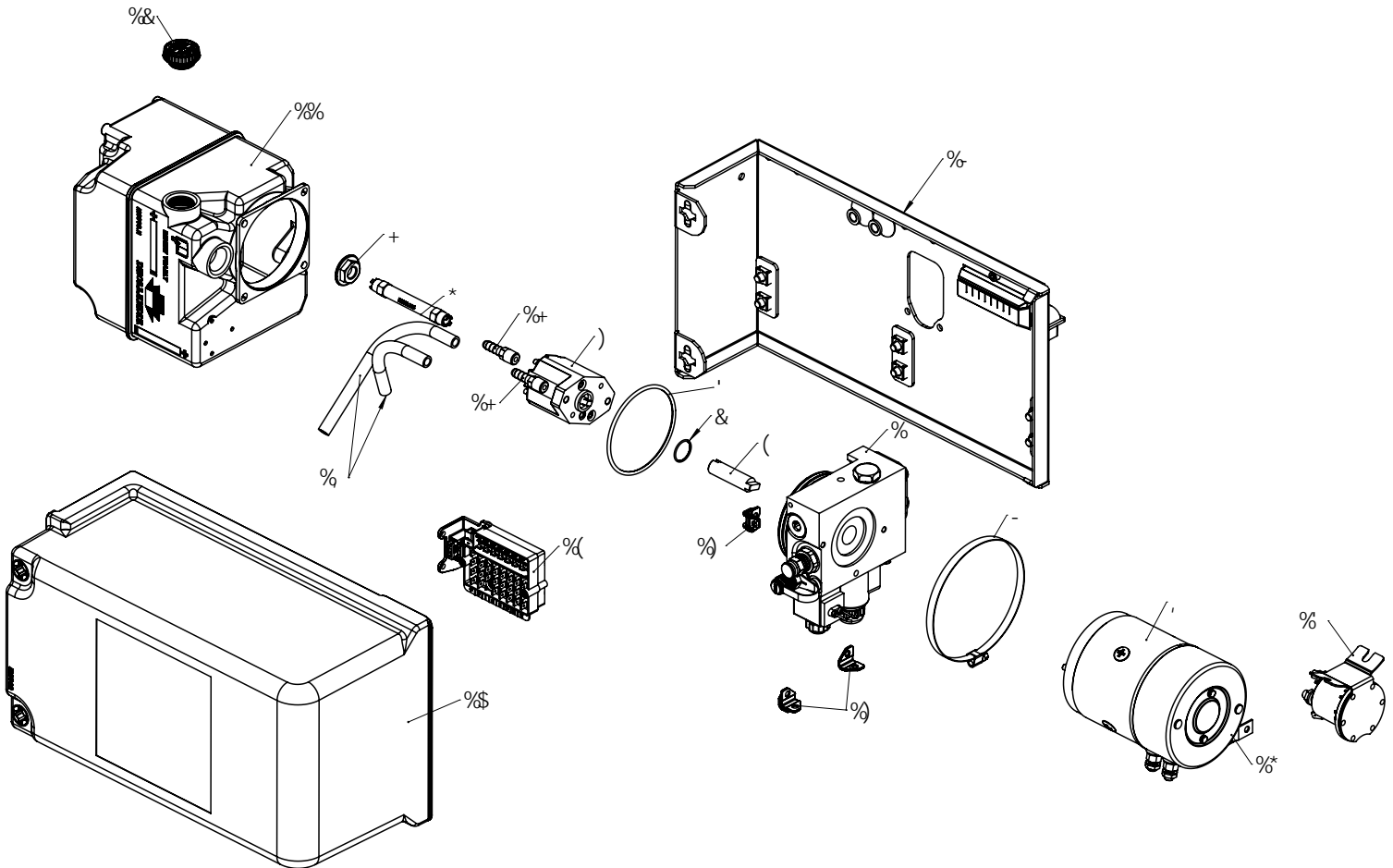
DHOLLANDIA

A U]b[' fci d.

<nXfU_]Wdck Yf'dUW_g

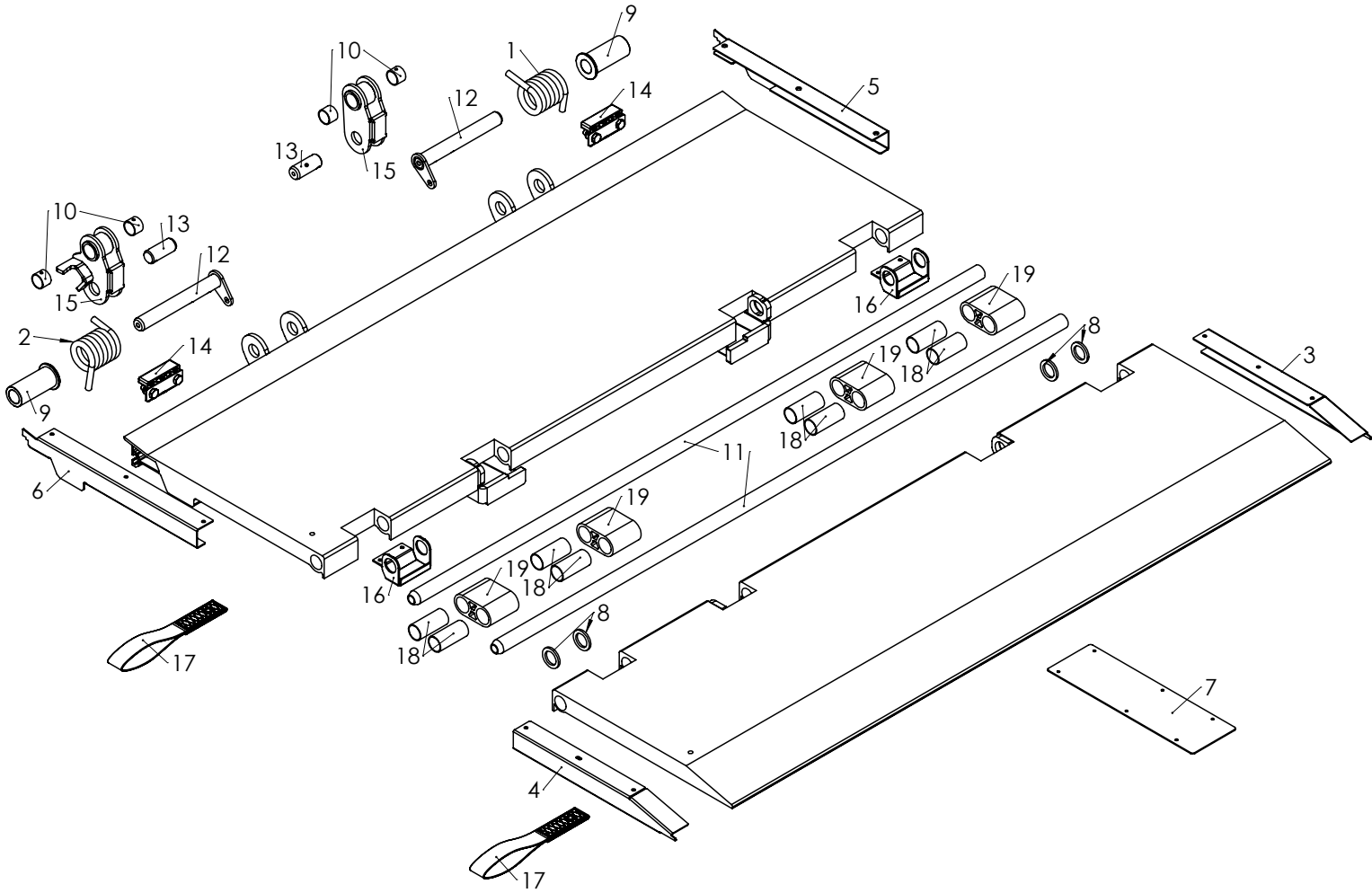
Gì V[' fci d.

GHUbXU'X'dck Yf'dUW_g



| Dcg | 7 cXY | 8YgWfdhjb |
|-----|-------------------|---|
| % | J % %6'&) | @ []WU'j Uj Y J % %6'! » &") |
| % | J % , "&&"L"("&) | @ []WU'j Uj Y G5!85'`&(J D&&» &") |
| % | J % , "&&"L"%"&&) | @ []WU'j Uj Y G5!85'`%&J D&&» &") |
| % | J % + %&&"L"("&) | @ []WU'j Uj Y J % + %D&& &(J' &") |
| % | J % + %&&"L"%"&&) | @ []WU'j Uj Y J % + %D&& %&J' &") |
| % | J % + %&&"8"("&) | @ []WU'j Uj Y '85'J % + %D&& &(J' &") |
| % | J % + %&&"8"%"&&) | @ []WU'j Uj Y '85'J % + %D&& %&J' &") |
| % | J % + %&&"L"("&) | @ []WU'j Uj Y J % + %D%+ &(J' &") |
| % | J % + %&&"L"%"&&) | @ []WU'j Uj Y J % + %D%+ %&J' &") |
| % | J % + %&&"8"("&) | @ []WU'j Uj Y '85'J % + %D%+ &(J' &") |
| % | J % + %&&"8"%"&&) | @ []WU'j Uj Y '85'J % + %D%+ %&J' &") |
| & | 8C \$&&%) | C!f]b[] » &% %) |
| ' | 8C \$- \$") | C!f]b[] » - \$!'") |
| (| D- \$\$) | 7 cbbYWH]cb a chcfD\$%!') , a a |
|) | D\$%'"%\$ | Di a d' %W |
| * | ? \$' * %\$%) | <nXfU_]Wd]dY_ grbh.Yh]W%#(fffP/\$) a a |
| + | : \$&) | :]Yf' %#(fff! »' &a a |

| Dcg | 7 cXY | 8YgWfdhjb |
|-----|-----------------|---|
| , | A D\$\$+ | A chcf&(J' %&?K V'cW_ |
| , | A D\$\$, | A chcf%&J' %&?K V'cW_ |
| - | A (- \$%"\$ | 7 c`Uf' %&\$!% \$ |
| %\$ | A' \$* & | 7cj Yf'nXf'dck YfdUW_ 7ca dUWH<cf" |
| %% | A' \$% "<" | HUb_ \cf]ncbUJ' " " " |
| %& | \$&&"C; | 5]fFY Ugy' WJd' cfU]b[Y' ' #(< |
| % | 9\$*' ("& | FYUmfcì bX HF6H%&J' %& \$5 |
| % | 9\$** ("&(| FYUmfcì bX HF6H&(J' %& \$5 |
| %(| 9&\$) % | 7 cbbYWH]cb V'cW_ \nXf'dck YfdUW_ 2&\$%\$ |
| %& | A &- - | :] U]cb V'fUW_Yh]U_ |
| %' | 9\$&, "H | -> bWH]cb d'UHY Ž' gy' tk]ghYX |
| %+ | ? \$&&, | 7 cì d]b[' fYh' fb \cgY' %#(fff |
| % | ? \$&' ("& \$ | @ \cgY' » , #%& @1 %(\$a a |
| % | ? \$&' ("&\$ \$ | @ \cgY' » , #%& @1 &\$ \$a a |
| % | A' % + "J % + % | 7 Ugy' dck YfdUW_ : : <'!# |
| % | A' % + "J % %6 | 7 Ugy' \nXf'dck YfdUW_ J % %6 |
| % | A' % + "J % , | 7 Ugy' \nXf'dck YfdUW_ : : <'!J % , |



| Pos | Code | Description |
|-----|------------------|---|
| 1 | VRW103.10.5.R | Torsion spring right RP.10 ø10.5 |
| 1 | VRW103.09.5.R | Torsion spring right RP.10 ø9.5 |
| 2 | VRW103.10.5.L | Torsion spring left RP.10 ø10.5 |
| 2 | VRW103.09.5.L | Torsion spring left RP.10 ø9.5 |
| 3 | M3551.LE.R | Side lip plt right M3551 + Snr |
| 4 | M3551.LE.L | Side lip plt left M3551 + Snr |
| 5 | M3550.500.R | Side lip plt right 500mm |
| 6 | M3550.500.L | Side lip plt left 500mm |
| 7 | M3407.365 | Protection platform RP 365mm |
| 8 | M1927.40.4 | Spacer ring ALU ø27/40x4mm |
| 9 | M1926.39.091 | Bush spring VRW103 |
| 10 | M1825.20T | Bearing bush ø25x20mm |
| 11 | M1727.1420 | Pin ø27x1420 |
| 12 | M1725.199 | Pin ø25x199 |
| 13 | M1725.060.BO08.B | Pin ø25x60mm - BO08 -B- |
| 14 | M1432.S | End stop fixed part ALU RC.10 |
| 15 | M1329.080.B.R | Swing bracket platform RP.10 80cc RIGHT |
| 15 | M1329.080.B.L | Swing bracket platform RP.10 80cc LEFT |
| 15 | M1329.080 | Swing bracket platform RP 80cc |
| 16 | M0928.081 | Support hinge 81mm |
| 17 | M0897.B | Handle point -B- |
| 18 | M0545 | Bearing bush hinge PVC |
| 19 | M0544.70 | Hinge platform point ALU 70mm |