

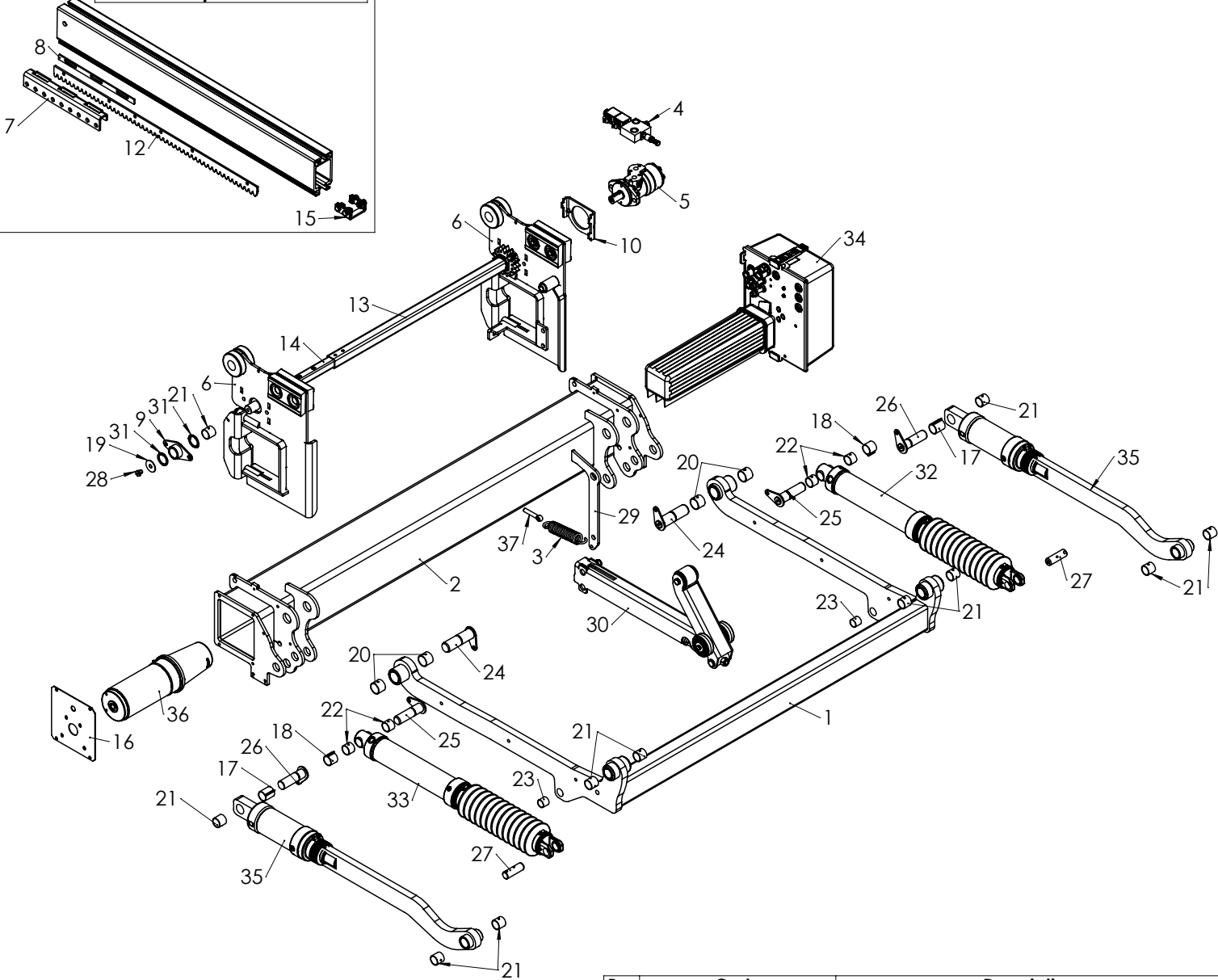
Main group:

Taillift types

Subgroup:

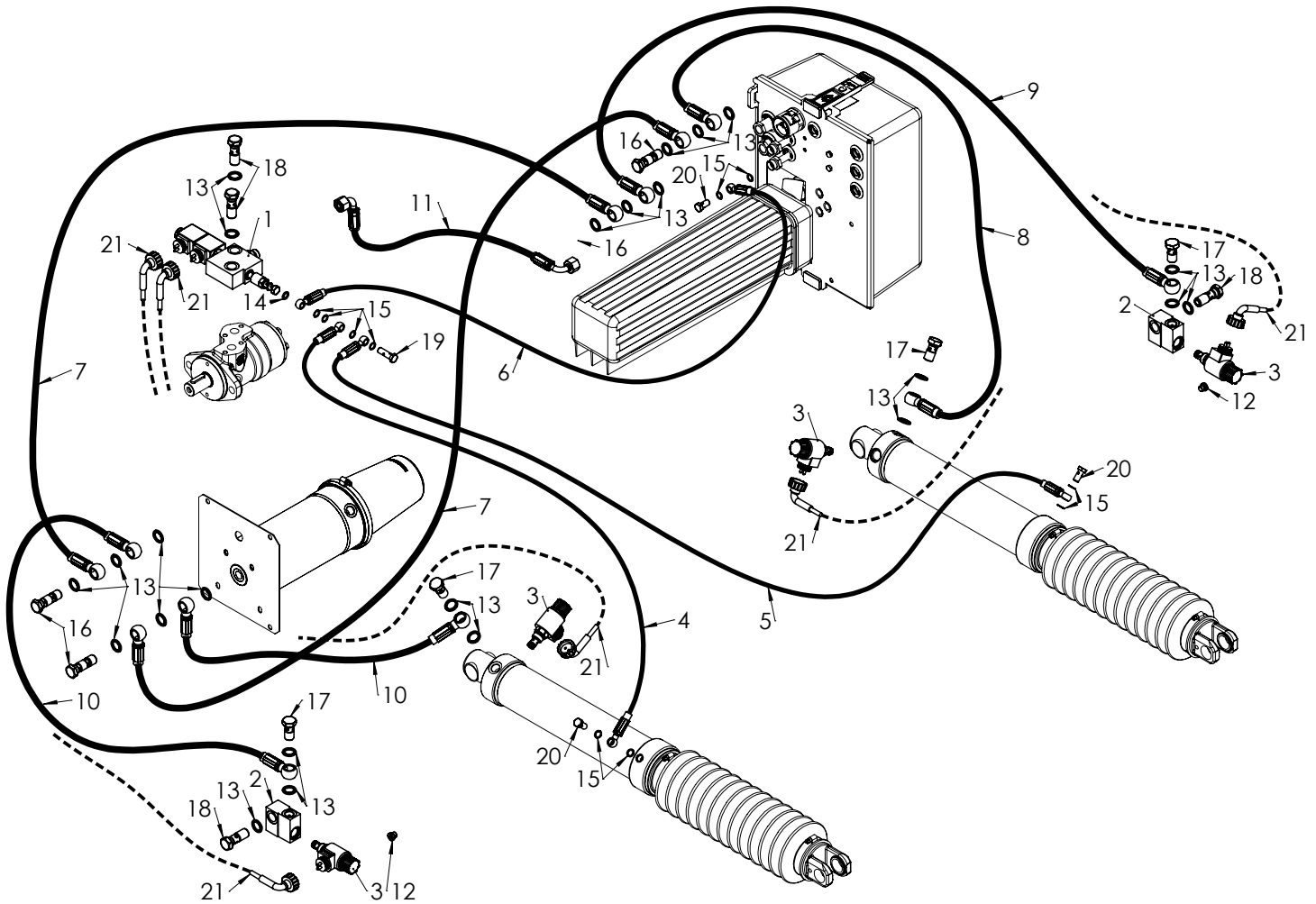
Slider lifts

Additional parts for M5111.S

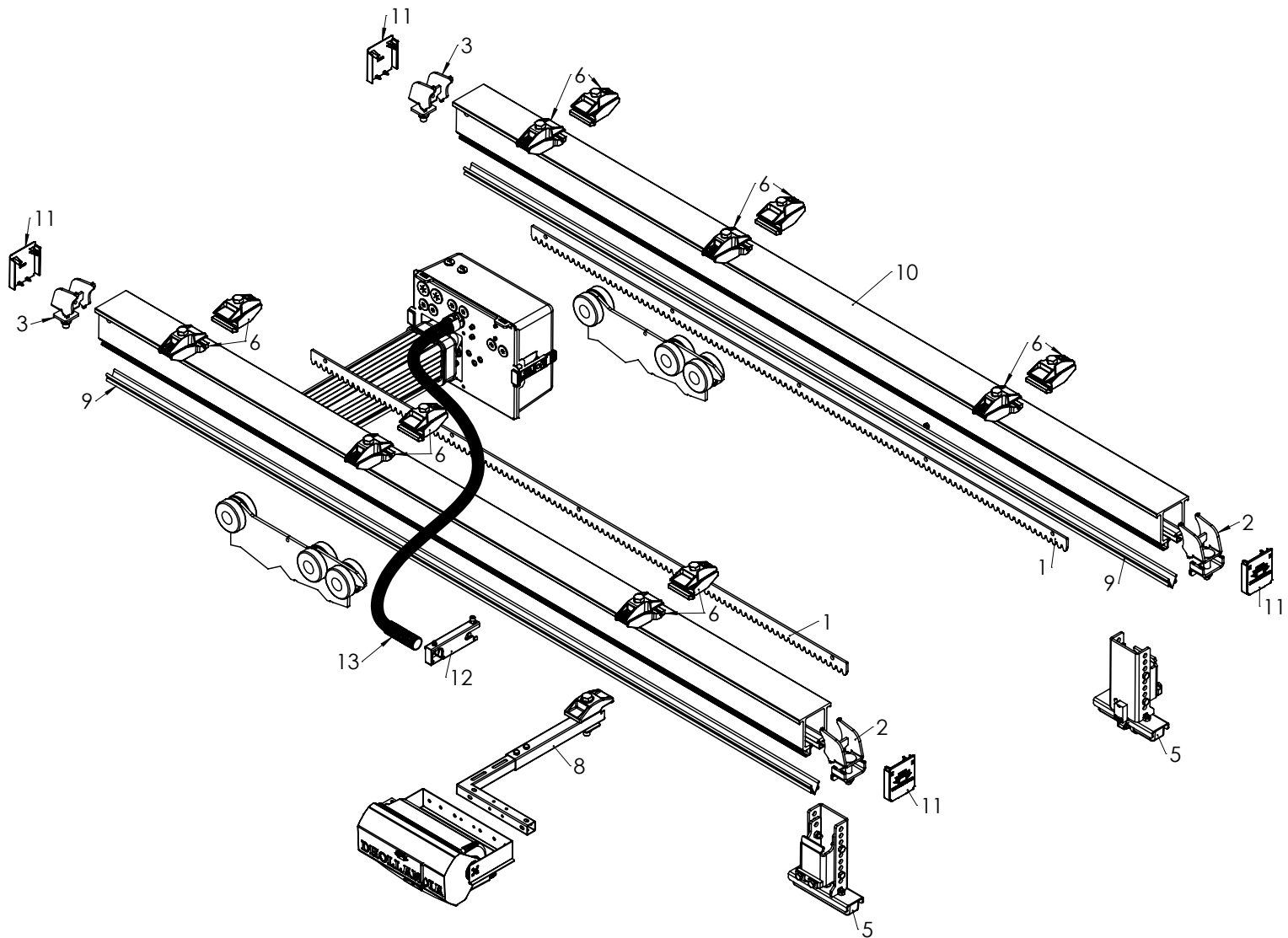


Pos	Code	Description
1	XH.SO71.CA.LE	Lift arm SO71 + Snr
1	XH.SO8.20.CA.LE	Lift arm SO8.20 + Snr
2	XF.SO72.CA.O.VK	Frame SO72 + Snr
2	XF.SO8.20.CA.O.VK	Frame compl. SO8.20 + Snr
3	VRT096	Retraction spring BD=37 L=180 DD=6mm
4	V151.R.24	Valve hydro motor -R- 24V
4	V151.R.12	Valve hydro motor -R- 12V
4	V151.L.24	Valve hydro motor -L- 24V
4	V151.L.12	Valve hydro motor -L- 12V
5	P050	Hydro motor SM
6	MM.2.180.319.330.AD.S	Sliding bracket set S521 -180- 319mm AD
6	MM.2.180.319.282.BD.S	Sliding bracket set S521 -ST180- 319mm
6	MM.2.180.219.282.BD.S	Sliding bracket set S521 -180- 219mm BD
6	MM.2.180.219.282.BD.R	Sliding bracket right S521 -ST180- 219mm
6	MM.2.180.219.282.BD.L	Sliding bracket left S521 -ST180- 219mm
6	MM.2.180.219.282.AD.S	Sliding bracket set S521 -180- 219mm AD
7	M5408	Profile end stop SO7/8 M5110/M5111
8	M5407	Intermediary profile end stop SO7/8
9	M5404	Bearing bush gear wheel
10	M5403.L	Support hydro motor L
11	M5403.B.L	Support hydro motor SO72 -B-
12	M5402.LE	Gear rack SO7/8 940mm
13	M5400.102.B	Gear wheel female 102mm
14	M5400.102.A	Gear wheel male 102mm

Pos	Code	Description
15	M5309	End stop SO7/8 M5110/M5111
16	M4828.C	Fixation plate CAD08 - SO72
17	M1931.35.40	Spacer ring ø35/31x40mm
18	M1931.35.30	Spacer ring ø35/31x30mm
19	M1912.42.2	Washer ø42/ø12.5 x 2mm
20	M1835.30T	Bearing bush ø35x30mm
21	M1830.30T	Bearing bush ø30x30mm
22	M1830.25T	Bearing bush ø30x25mm
23	M1825.25T	Bearing bush ø25x25mm
24	M1735.125.P50.L	Pin ø35x125mm - 50cc
25	M1730.118.P50.L	Pin ø30x118mm - 50cc
26	M1730.108.P50.L	Pin ø30x108mm - 50cc
27	M1725.078.BO08	Pin ø25x78mm - BO08
28	M1704.12.6	Nut grease nipple M12-M6
29	M0929.384	Fixation bar retraction spring SO72 - 384cc
29	M0929.284	Fixation bar retraction spring SO72 - 284cc
30	M0927.LE.L-R	Unfold guide SO7/8 + LE
31	M0875.3	Ring roller DHSM ø30/45x3mm
32	CH37.C.R	Lift cylinder right CH37.C + Snr
33	CH37.C.L	Lift cylinder left CH37.C + Snr
34	GT2.SOR	Hydr.power pack right SO7/8 + Snr
34	GT.SO.R	Hydr.power pack right SO + Snr
35	CS36.D	Tilt cylinder SO8 + Snr -D-
35	CS36.C	Tilt cylinder SO8 + Snr -C-
36	CAD08.100.80.0140.B	Memory cylinder GS100-80 K=140 -B-
37	BO12.070.D	Eye bolt M12x70mm



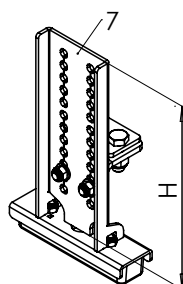
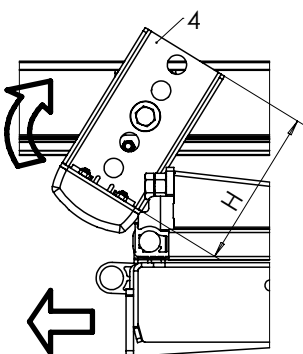
Pos	Code	Description
1	V151.R.24	Valve hydro motor -R- 24V
1	V151.L.12	Valve hydro motor -L- 12V
1	V151.L.24	Valve hydro motor -L- 24V
1	V151.R.12	Valve hydro motor -R- 12V
2	V132	Block safety valve cylinder voor V031
3	V037.H	Safety valve SA 12V Hydac
3	V037	Safety valve SA 12V + E241
3	V036.H	Safety valve SA 24V Hydac
3	V036	Safety valve SA 24V + E240
4	KSL3000.OO	LP hose E-E 3000mm
5	KSL1600.OO	LP hose E-E 1600mm
6	KSL0400.OO	LP hose E-E 400mm
7	KSH2150.OO	HP hose E-E 2150 mm
8	KSH1200.OO	HP hose E-E 1200 mm
9	KSH1100.OO	HP hose E-E 1100mm
10	KSH0800.OO	HP hose E-E 800mm
11	KSH0400.NN.1-4	HP hose N90°- N90° 400mm - 1/4"
12	K0702.10	Closing cap M10x1
13	K0700.3-8	Sealing ring 3/8"
14	K0700.10x2	Sealing ring 10x2mm
15	K0700.10x1	Sealing ring 10x1mm
16	K0188	Banjo double 3/8"
17	K0172	Banjo simple 3/8"
18	K0150	Banjo logical valve
19	K0112	Banjo double M10x1
20	K0110	Banjo simple M10x1
21	E0086	Cable safety valve Costal


M5262.H

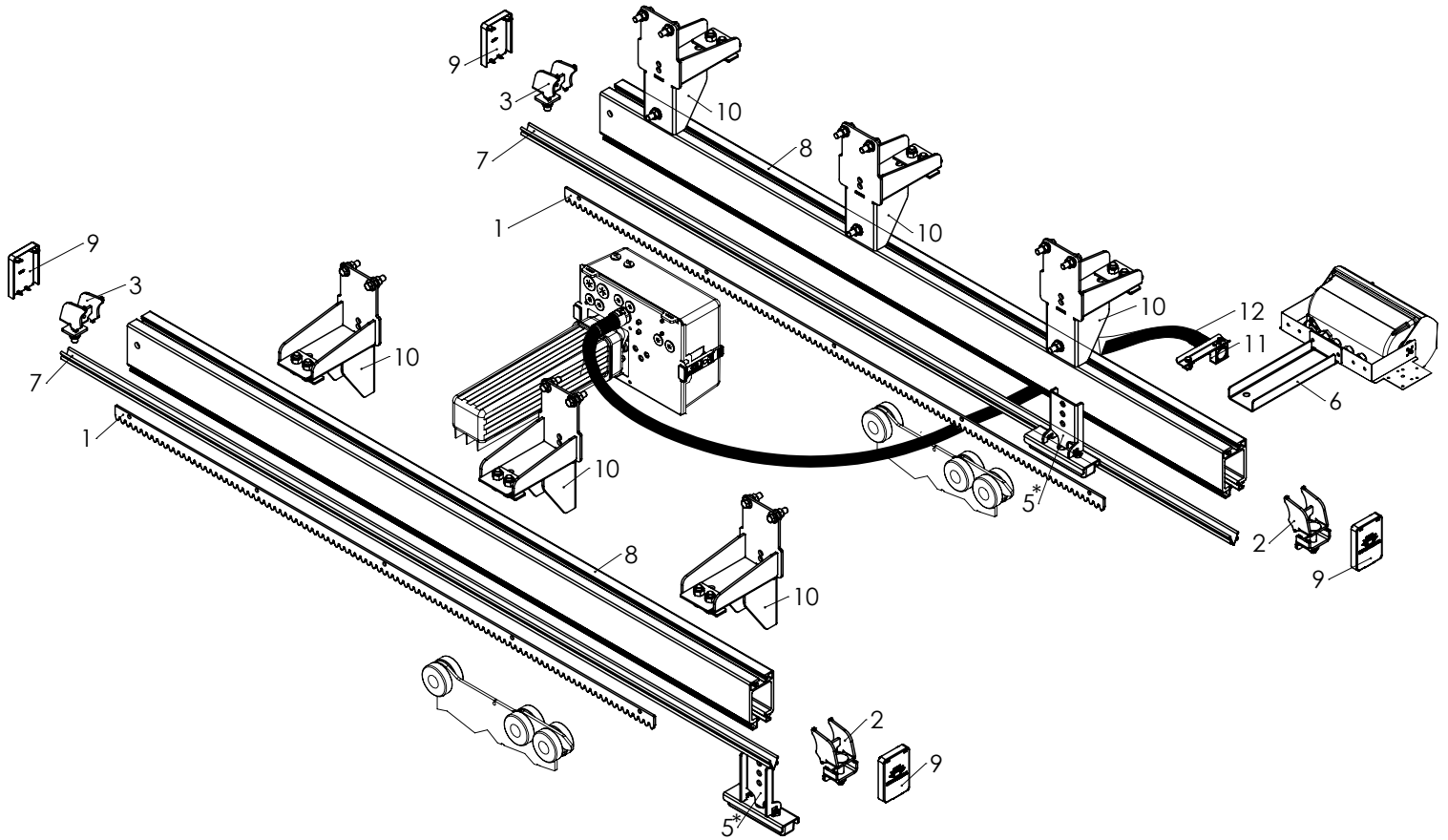
 H=215mm, 385mm
 Option OAM037.215/385

M5252.H.B

H=155mm, 200mm, 300mm



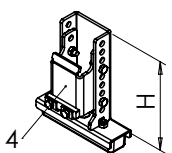
Pos	Code	Description
1	M5405.LE	Gear rack ...mm SM80
2	M5306.V	End stop front ALU AL207/AL208
3	M5306.A	End stop rear ALU AL207/AL208
4	M5262.385	Support platform S259.D 385mm
4	M5262.215	Support platform S259.D 215mm
5	M5260.0215.B	Support platform M1423 - 215mm
5	M5260.0385.B	Support platform M1423 - 385mm
6	M5259.SET	Clip set SMR ALU
7	M5252.0300.B	Support platform SM - M1423 300mm
7	M5252.0200.B	Support platform SM - M1423 200mm
7	M5252.0155.B	Support platform SM - M1423 155mm
8	M5210	Support control box SMR80
9	M5208	Rubber sliding tube
10	M5110.LE	Sliding tube UNDER alu 2500mm
11	M1420	Cover sliding tube ALU M5110
12	E0561.170	Fixation clip E0560.29 170mm
13	E0550.29	Corrugated pipe ø29mm /m



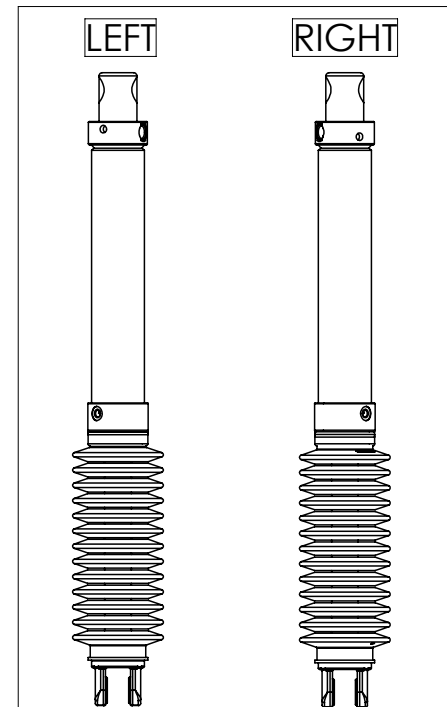
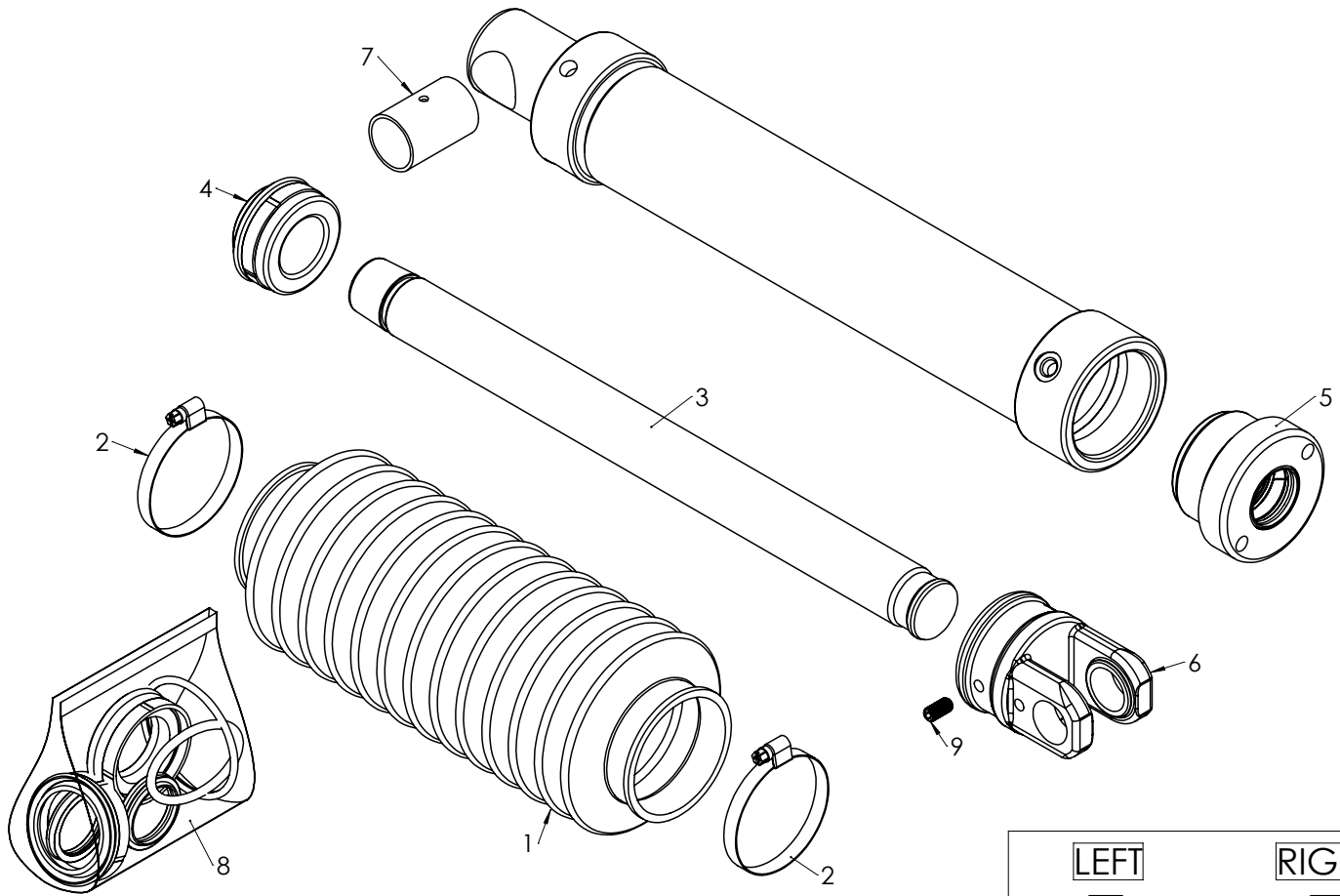
* Option S257

M5260.H.B

H=215mm, 385mm

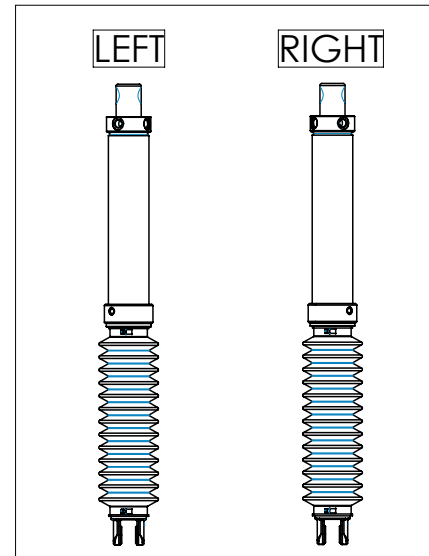
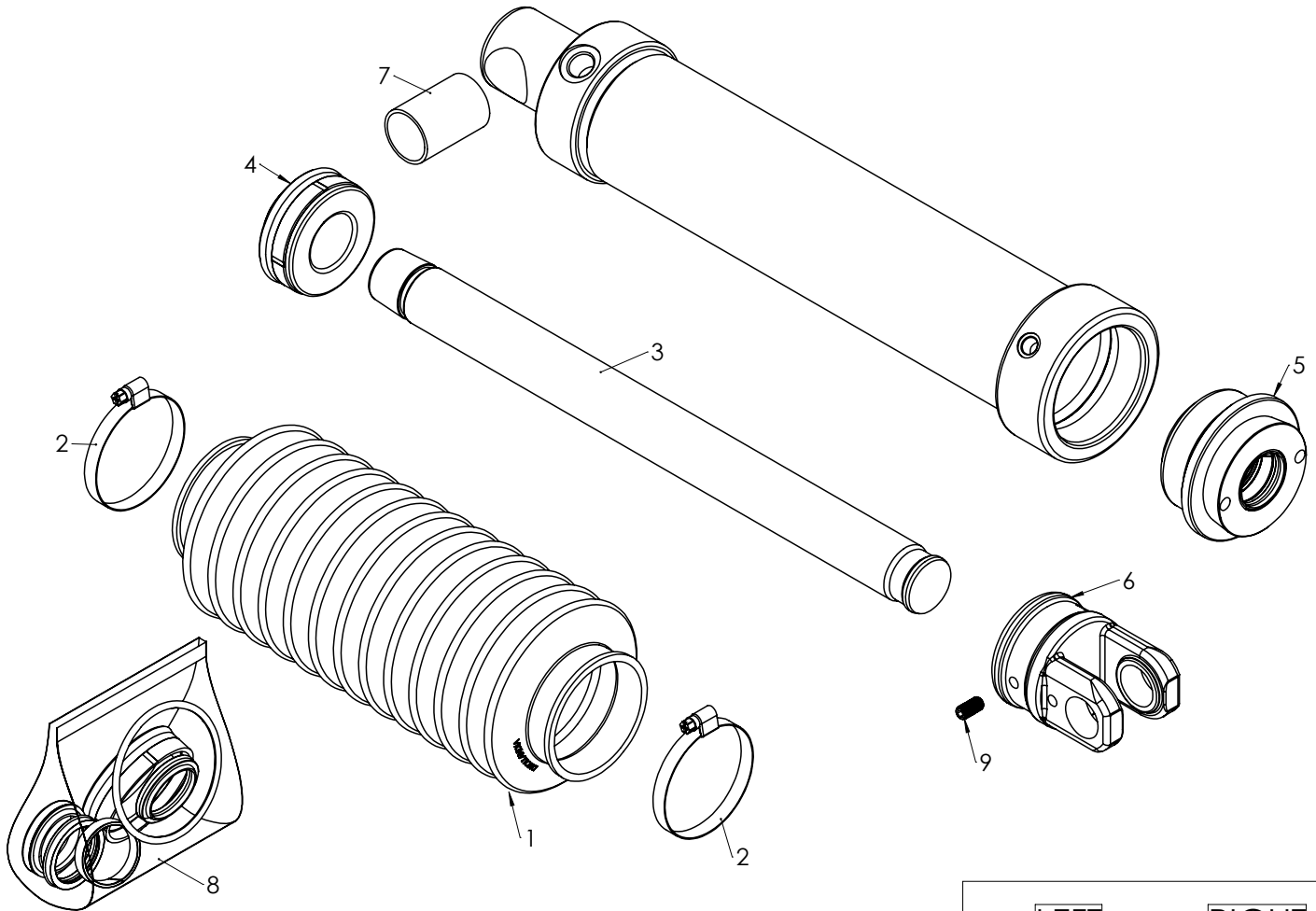


Pos	Code	Description
1	M5405.LE	Gear rack ...mm SM80
2	M5306.V	End stop front ALU AL207/AL208
3	M5306.A	End stop rear ALU AL207/AL208
4	M5260.0385.B	Support platform M1423 - 385mm
4	M5260.0215.B	Support platform M1423 - 215mm
5	M5250.B	Support platform SM - M1423
6	M5209.503	Support control box 503mm
6	M5209.303	Support control box 303mm
7	M5208	Rubber sliding tube
8	M5111.LE	Sliding tube alu SIDE ...mm
9	M1421	Cover sliding tube ALU M5111
10	M1170.295	Suspension side support 295mm
10	M1170.220	Mounting bracket SMP 240mm
10	M1170.170	Suspension side support 170mm
11	E0561.155	Fixation clip E560.29 155mm
12	E0550.29	Corrugated pipe ø29mm /m

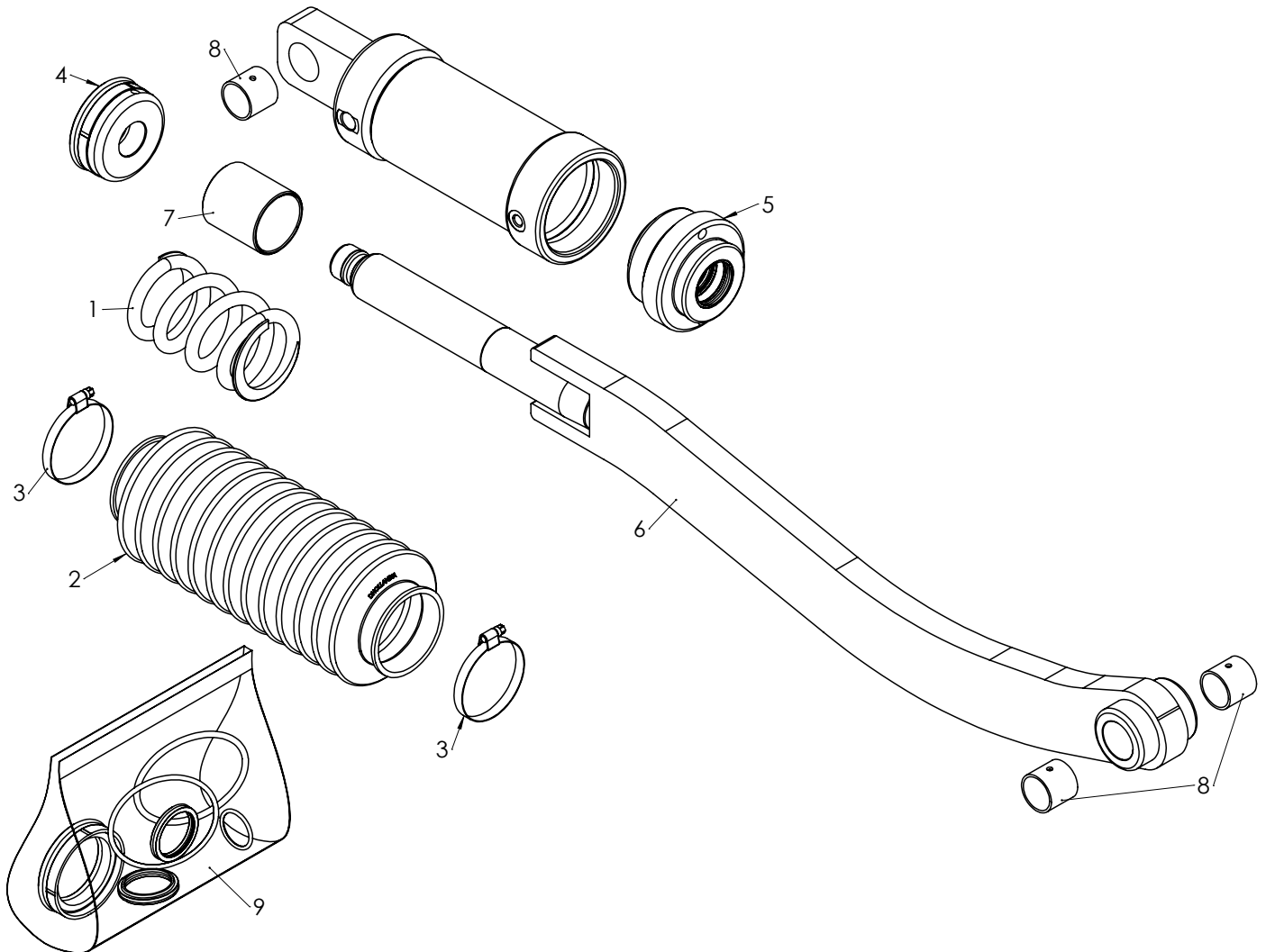


Pos	Code	Description
1	M4929	Rubber sleeve 70x70
2	M4901.070	Collar ø70
3	M4640.474	Rod lift cylinder ø40x474mm
3	M4640.434	Rod OK310 ø40x434mm
3	M4635.435	Rod OK311 D72 ø35x435mm
4	M4440.080	Piston SA ø80-40
4	M4440.070	Piston SA ø70-40
4	M4435.070	Piston SA ø70-35
4	M4435.060	Piston SA ø60-35
5	M4235.060.AG	Cylinder head guide ø60-35

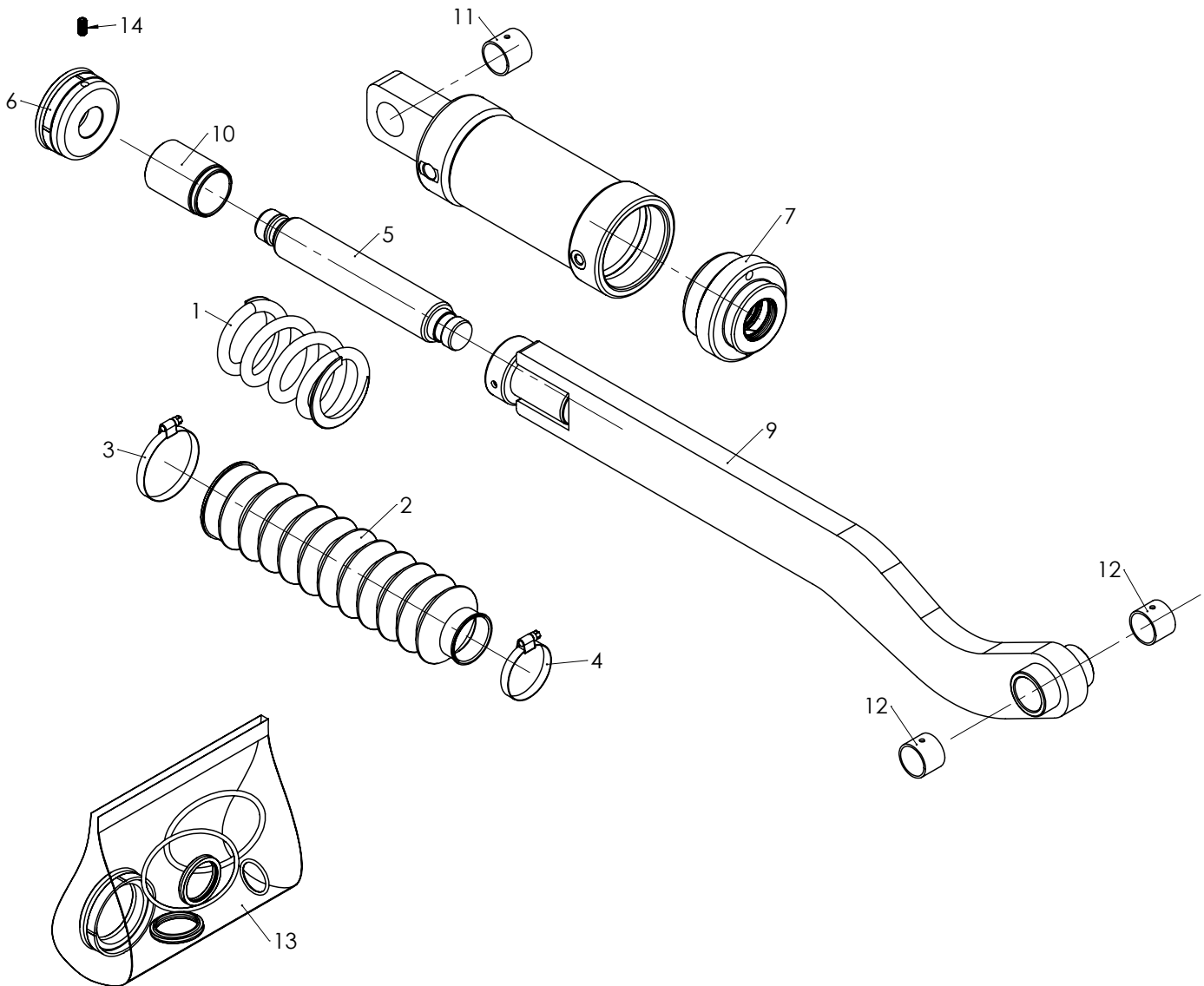
Pos	Code	Description
5	M4240.080.AG	Cylinder head guide ø80-40
5	M4240.070.AG	Cylinder head guide ø70-40
5	M4235.070.AG	Cylinder head guide ø70-35
6	M4104.070.30.40.25.T	Fork lift cylinder LSU ø40
6	M4102.070.25.35.25.F	Fork rod ø35F L=70 (arm 25)
7	M1830.50T	Bearing bush ø30x50mm
8	DSE070.40.B	Seal set SA ø70-40
8	DSE060.35.B	Seal set SA ø60-35 ..>2008
8	DSE070.35.B	Seal set SA ø70-35 ..>2008
8	DSE080.40.B	Seal set SA ø80/40 -B-
9	BB08.16	Allenbolt headless M8x16



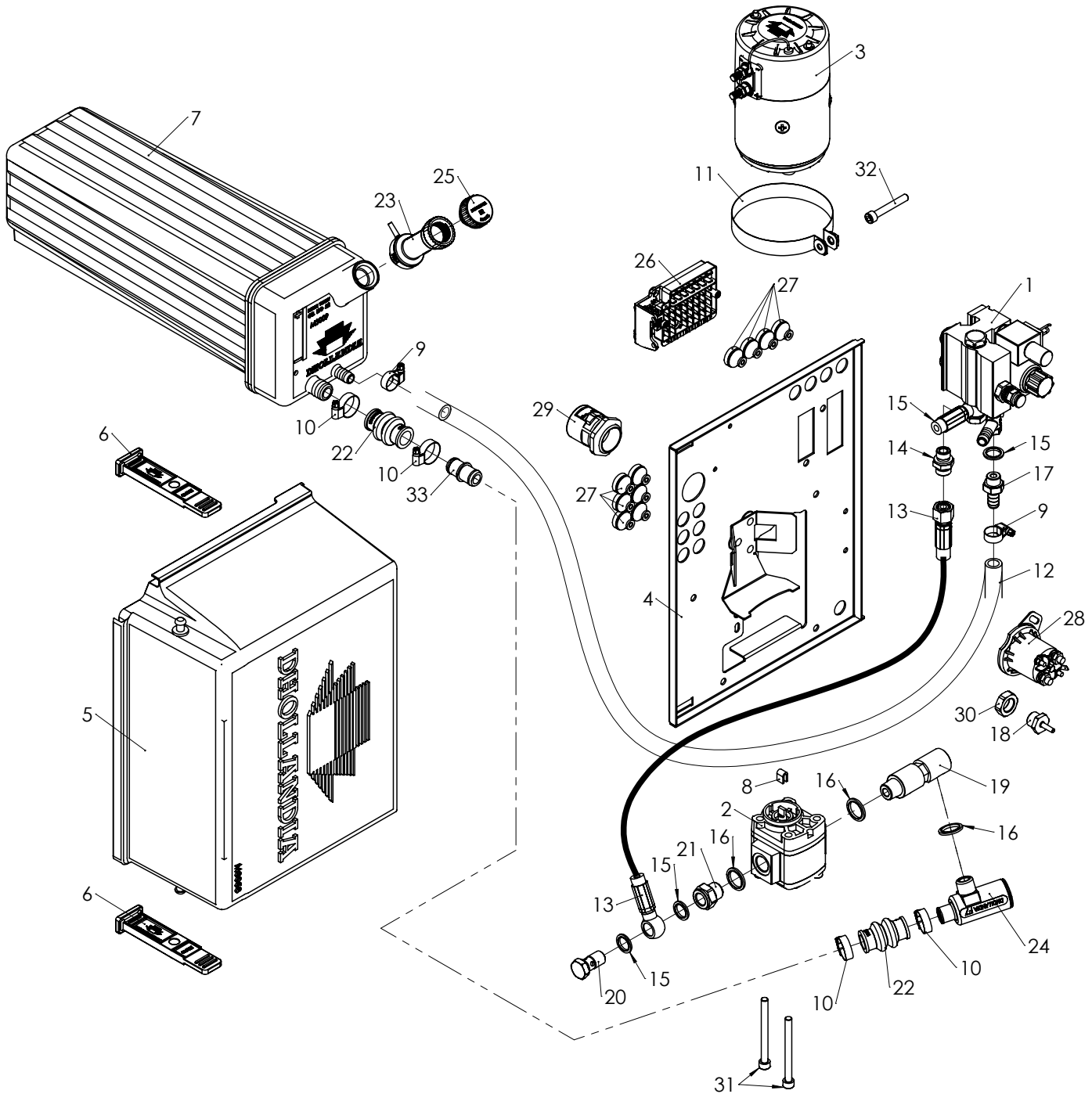
Pos	Code	Description
1	M4929	Rubber sleeve 70x70
2	M4901.070	Collar ø70
3	M4635.435	Rod OK311 D72 ø35x435mm
3	M4640.434	Rod OK310 ø40x434mm
4	M4435.070	Piston SA ø70-35
4	M4440.080	Piston SA ø80-40
5	M4240.080.AG	Cylinder head guide ø80-40
5	M4235.070.AG	Cylinder head guide ø70-35
6	M4102.070.25.40.25.T	Fork rod ø40T L=70 (arm 25)
6	M4102.070.25.35.25.F	Fork rod ø35F L=70 (arm 25)
7	M1830.50T	Bearing bush ø30x50mm
8	DSE080.40.B	Seal set SA ø80/40 -B-
8	DSE070.35.B	Seal set SA ø70-35 ..>2008
9	BB08.16	Allenbolt headless M8x16



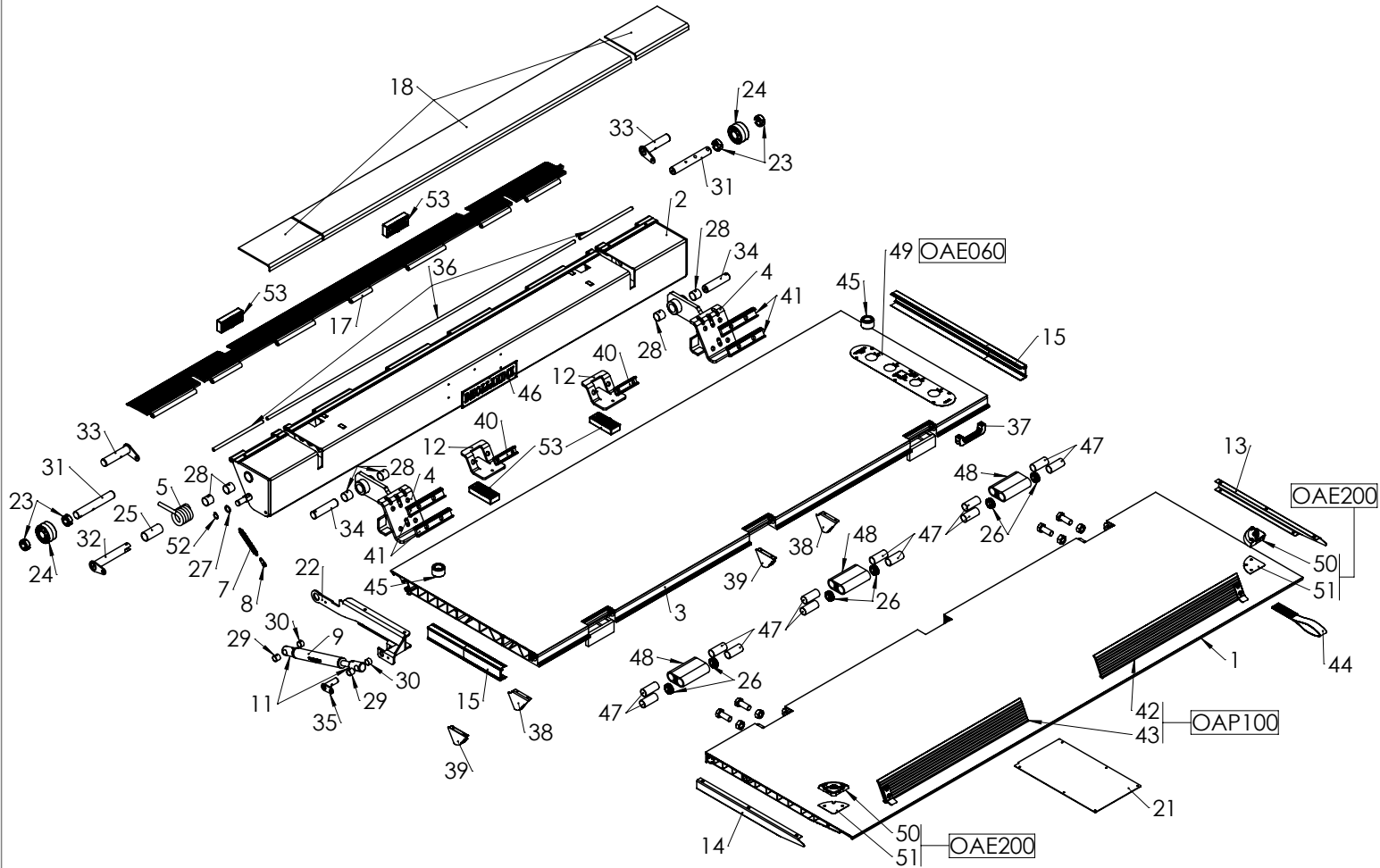
Pos	Code	Description
1	VRD067	Pressure spring BD=78 L=125 DD=11mm
2	M4929	Rubber sleeve 70x70
3	M4901.070	Collar ø70
4	M4406.080	Piston SA ø80
5	M4240.080.AG	Cylinder head guide ø80-40
6	M4031.690.B	Extension CS36 690mm A=1080 -B-
7	M1950.56.60	Bush ø50/56 x60mm
8	M1830.30T	Bearing bush ø30x30mm
9	DSE080.40	Seal set SA ø80-40



Pos	Code	Description
1	VRD067	Pressure spring BD=78 L=125 DD=11mm
2	M4970.45.10	Rubber sleeve ø70/45 - 10 ribs
3	M4901.070	Collar ø70
4	M4901.055	Collar ø55
5	M4640.253	Rod CS36.D ø40x253mm
6	M4406.080	Piston SA ø80
7	M4240.080.AG	Cylinder head guide ø80-40
8	M4045.LE.R	Extension right SO7 + Snr
9	M4045.LE.L	Extension left SO7 + Snr
10	M1942.50.65	Bush ø42/50x65mm
11	M1830.30T	Bearing bush ø30x30mm
12	M1830.25T	Bearing bush ø30x25mm
13	DSE080.40	Seal set SA ø80-40
14	BB08.16	Allenbolt headless M8x16



Pos	Code	Description	Pos	Code	Description
1	V181.R.X.12	Valve right 12V SA-DA M18	17	K0229	Coupling hand pump G3/8"
1	V181.R.X.24	Valve right 24V SA-DA M18	18	K0216	Coupling return hose M18x1.5mm
2	P011	Pump 13A - 2.5cc - 5L	19	K0186.95.N	Coupling pump SO7 - SO8 90°
3	MP025	Motor 24V 2000W	20	K0172	Banjo simple 3/8"
3	MP027	Motor 12V 2000W	21	K0152	Coupling pump 3000W
4	M3124.E.R	Case power pack right SO.20 -E-	22	K0088	Suction hose pump
5	M3058	Cover power pack 400-180 2010	22	K0088.7	Suction hose pump 7 rings
6	M3010	Lock rubber M3050	23	F023	Extension tank incl. F024
7	M3009	Tank left 180 - 8 lt	24	F007	Filter compl.
8	M0420	Connection pump "U"	25	F002	Air release cap 3/4"
9	M0365	Collar return hose ø20	26	E2051	Connection block hydr.power pack >2010
10	M0357	Collar suction hose	27	E0793	Lead through rubber E0793
11	M0119	Collar motor 2000W	28	E0657.12	Relay round TRBT 12V 150A
12	KSL.1-2	LP hose 1/2" - /m	28	E0657.24	Starting relay straight 90° 24V 150A
13	KSH0350.MO	HP hose E-N 350mm	29	E0551.29	Muff chuck straight E550.29
14	K1201	Coupling straight 3/8"-12	30	BMZ18.L	Nut low M18
15	K0700.3-8	Sealing ring 3/8"	31	BI08.090	Allenbolt with head M8x90
16	K0700.1-2	Sealing ring 1/2"	32	BI08.055	Allenbolt with head M8x55
			33	8922	Spacer suction hose SO.20



Pos	Code	Description
1	XPA401.LE.W	Point alu SO8.20.01 + Snr
2	XKS.SO8.20.01.CA	Fixed part steel SO8.20.01 + Snr
3	XKA401.LE.O.CA.W	Fixed part alu SO8.20.01 + Snr
4	XD.A.SO8.20.01	Platformhand SO80
5	VRW077	Torsion spring SO80
6	VRT066.20	Retraction spring BD=15 L=126 DD=2mm
7	VRT066.15	Retraction spring BD=15 L=126 DD=1.5mm
8	VR030.A	Eye spring VR066.15 - SO80
9	VG3000.150	Gas spring 3000N - 150mm
10	VG2500.150	Gas spring 2500N - 150mm
11	VG0004.3000	Extension gas spring VG3000.150
12	M5258	Support platform SO80/81
13	M3526.LE.R	Point right + LE
14	M3526.LE.L	Point left + LE
15	M3510.50	Platform side 50mm
16	M3411.1550	Swing point SO8 - 1550cc
17	M3411.1450	Swing point SO8 - 1450cc
18	M3410.LE	Protection cap swing point SO8 + LE
19	M3409.LE	Protection cap fixed part SO8 + LE
20	M3407.545	Protection platform SO 545mm
21	M3407.445	Protection platform SO 445mm
22	M3403	Fixation profile gas spring SO80
23	M1975.31.1	Ring platform roller pin ø30
24	M1975.31	Platform roller ø75/31x46mm
25	M1931.82	Spacer ring spring SO5/SO7
26	M1927.11	Spacer bush ø27.5-40x11 mm
27	M1920.28.2	Spacer ring cable guide ø20-28x2mm

Pos	Code	Description
28	M1830.30T	Bearing bush ø30x30mm
29	M1820.20T	Bearing bush ø20x20mm
30	M1820.15T	Bearing bush ø20x15mm
31	M1730.199.BO10	Pin ø30x199mm - BO10
32	M1730.190.B	Pin ø30x190mm SO80
33	M1730.135.A	Pin ø30x135mm - 50cc
34	M1730.124.BO10	Pin ø30x124mm - BO10
35	M1720.070	Pin ø20x70mm - 35cc
36	M1712.LE	Pin ø12 x LE
37	M1406	Handle platform PVC
38	M1400R	Protection cap right 140
39	M1400L	Protection cap left 140
40	M1361.LE	Fixation bar platformhand
41	M1361.0185	Fixation profile 185mm - 80cc
42	M0973.M.LE.R	Pallet stop right MECH. ...mm
43	M0973.M.LE.L	Pallet stop left MECH. ...mm
44	M0897.B	Handle point -B-
45	M0868.30	Rubber ring ø50x30mm
46	M0854	Mark 'DHOLLANDIA'
47	M0545	Bearing bush hinge PVC
48	M0544	Hinge platform point ALU 140mm
49	E0759.R	Foot control alu platform >2008
50	E0700	Set platform lights 12/24V >2005
51	E0278.H	Plate platform lights E0700
52	BC20	Circlip exterior ø20
53	M1404	End stop rubber 118x50