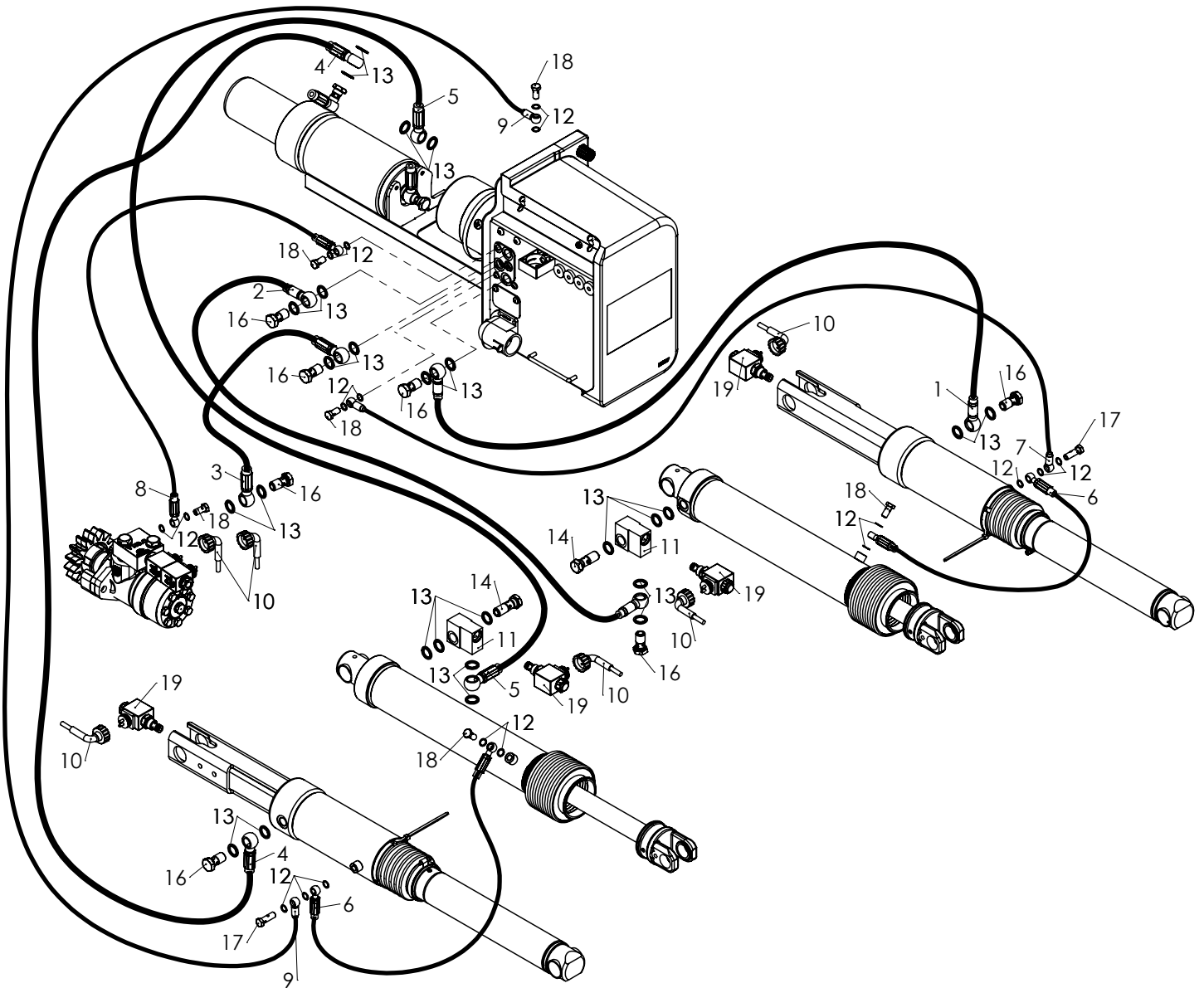
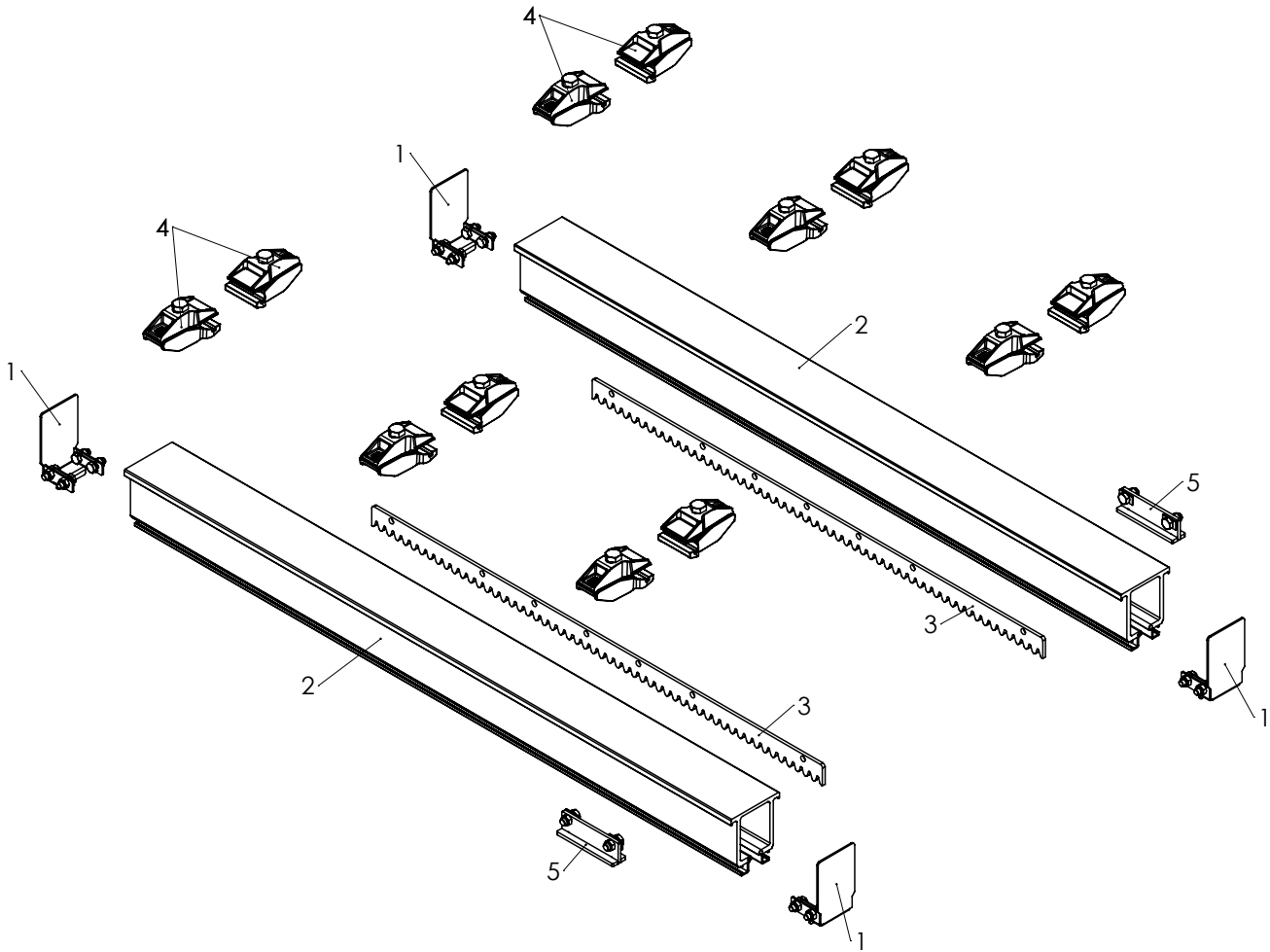


Pos	Code	Description	Pos	Code	Description
1	XF.SO6.20.01.CA.O.VK.SAC	Frame SO6.20.01 + Snr	20	CS62	Tilt cylinder CS62 + Snr
2	XH.SO6.20.01.CA.LE	Lift arm SO6.20.01 + Snr	21	M1830.30T	Bearing bush ø30x30mm
3	CH59.L	Lift cylinder left CH59 + Snr	22	M1825.25T	Bearing bush ø25x25mm
4	CH59.R	Lift cylinder right CH59 + Snr	23	M1735.208.P50.L	Pin ø35x208mm - 50cc
5	M0502.180.SO6	Closing plate frame SO6	24	M1730.097.BO10	Pin ø30x97mm - BO10
6	K0224	Bracket hose K0224	25	M1725.080.BO08	Pin ø25x80mm - BO08
7	M5422.H.24.S	Mounting bracket hydro motor HORIZON. Set 24V	26	M1830.20T	Bearing bush ø30x20mm
8	M5418.A.0840.S	Gear wheel set (30A+37A) 840mm	27	M1730.070	Pin ø30x70mm - 50cc
9	M5425	Side support gear wheel DHS	28	M0874.2	Mounting plate M0874 - 2mm
10	M0379	Roll platform SO/RC (50mm)	29	M0874.GN	Sliding block green DHSM
11	VRW108.37.L	Fixation bracket spring LEFT 37mm	30	GH	Hydr.power pack horizontal + Snr
11	VRW108.67.L	Fixation bracket spring LEFT 67mm	31	M1740.057	Pin roller ø40x57mm (2x28.5)
12	VRW108.37.R	Fixation bracket spring RIGHT 37mm	32	M1940.5	Ring sliding bracket ø40x5
12	VRW108.67.R	Fixation bracket spring RIGHT 67mm	33	M1986.25	Roller sliding bracket
13	M5316	End stop sliding tube SO	34	M1916.25.38	Hinge bush ø16.5/25/35x38.5mm
14	VRW108.L	Torsion spring left ø6	34	M1916.25.48	Hinge bush ø16.5/25/35x48.5mm
15	VRW108.R	Torsion spring right ø6	35	M0920.D.0586	Unfold guide SO6 Arm 900cc
16	VRW052.L	Torsion spring left BD44 L28 DD3mm	35	M0920.D.0686	Unfold guide SO6 Arm 1000cc
17	VRW052.R	Torsion spring right BD44 L28 DD3mm	35	M0920.D.0786	Unfold guide SO6 Arm 1100cc
18	M3305	Guide hose	36	M1835.50T	Bearing bush ø35x50mm
19	E0793	Lead through rubber E0793	37	M1830.25T	Bearing bush ø30x25mm

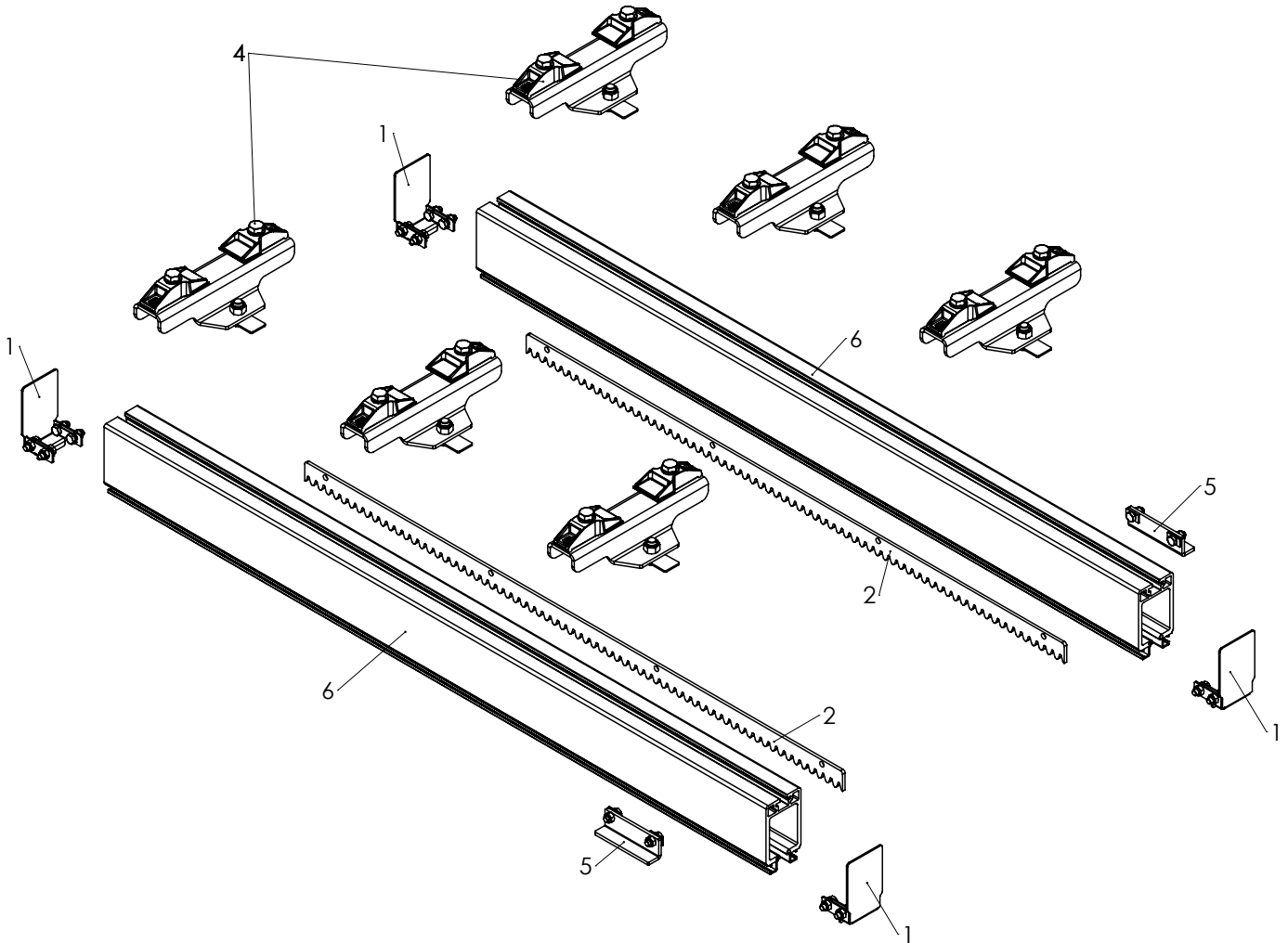


*	CA 1300	CA 1450
KSH.OO CS L	KSH2450.OO	KSH2600.OO
KSH.OO CH L	KSH3100.OO	KSH3250.OO
KSL.OO CS L	KSL3250.OO	KSL3400.OO

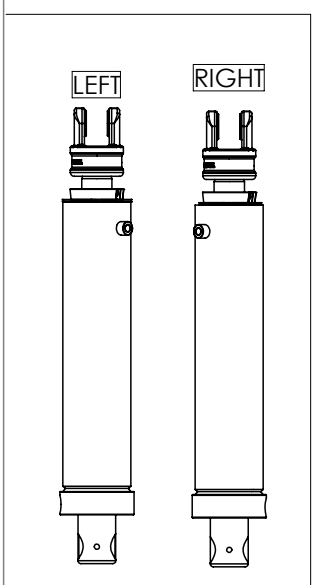
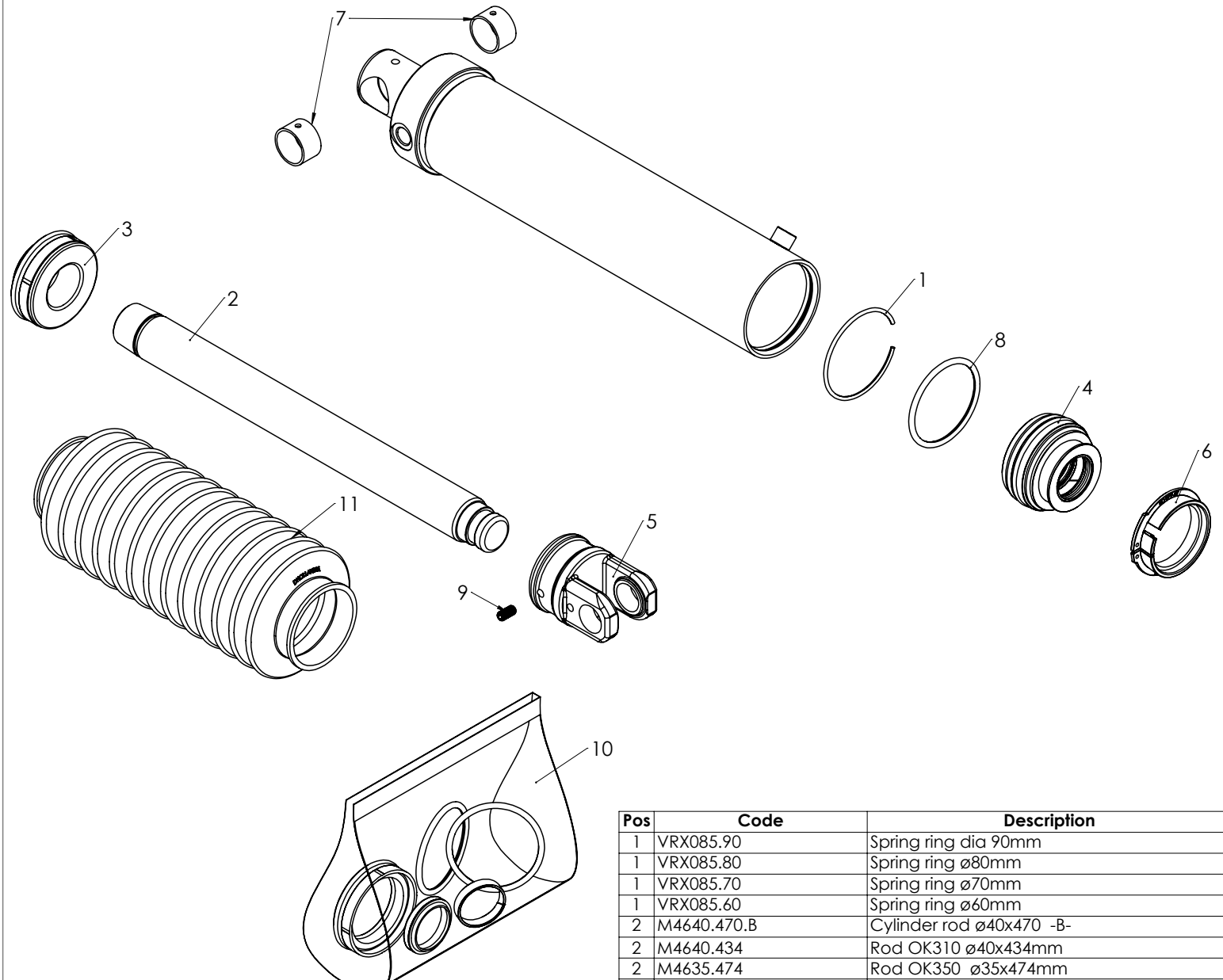
Pos	Code	Description
1	KSH0850.OO	HP hose E-E 850mm
2	KSH1200.OO	HP hose E-E 1200 mm
3	KSH1850.OO	HP hose E-E 1850mm
* 4	KSH2450.OO	HP hose E-E 2450 mm
* 5	KSH3100.OO	HP hose E-E 3100mm
6	KSL0400.OO	LP hose E-E 400mm
7	KSL1000.OO	LP hose E-E 1000mm
8	KSL1600.OO	LP hose E-E 1600mm
* 9	KSL3250.OO	LP hose E-E 3250mm
10	E0086	Cable safety valve Costal
11	V132.B	Block safety valve cylinder voor V133
12	K0700.10X1	Sealing ring 10x1mm
13	K0700.3-8	Sealing ring 3/8"
14	K0150	Banjo logical valve
15	K0188	Banjo double 3/8"
16	K0172	Banjo simple 3/8"
17	K0112	Banjo double M10x1
18	K0110	Banjo simple M10x1
19	V133.12	Safety valve SA 12V
19	V133.24	Safety valve SA 24V



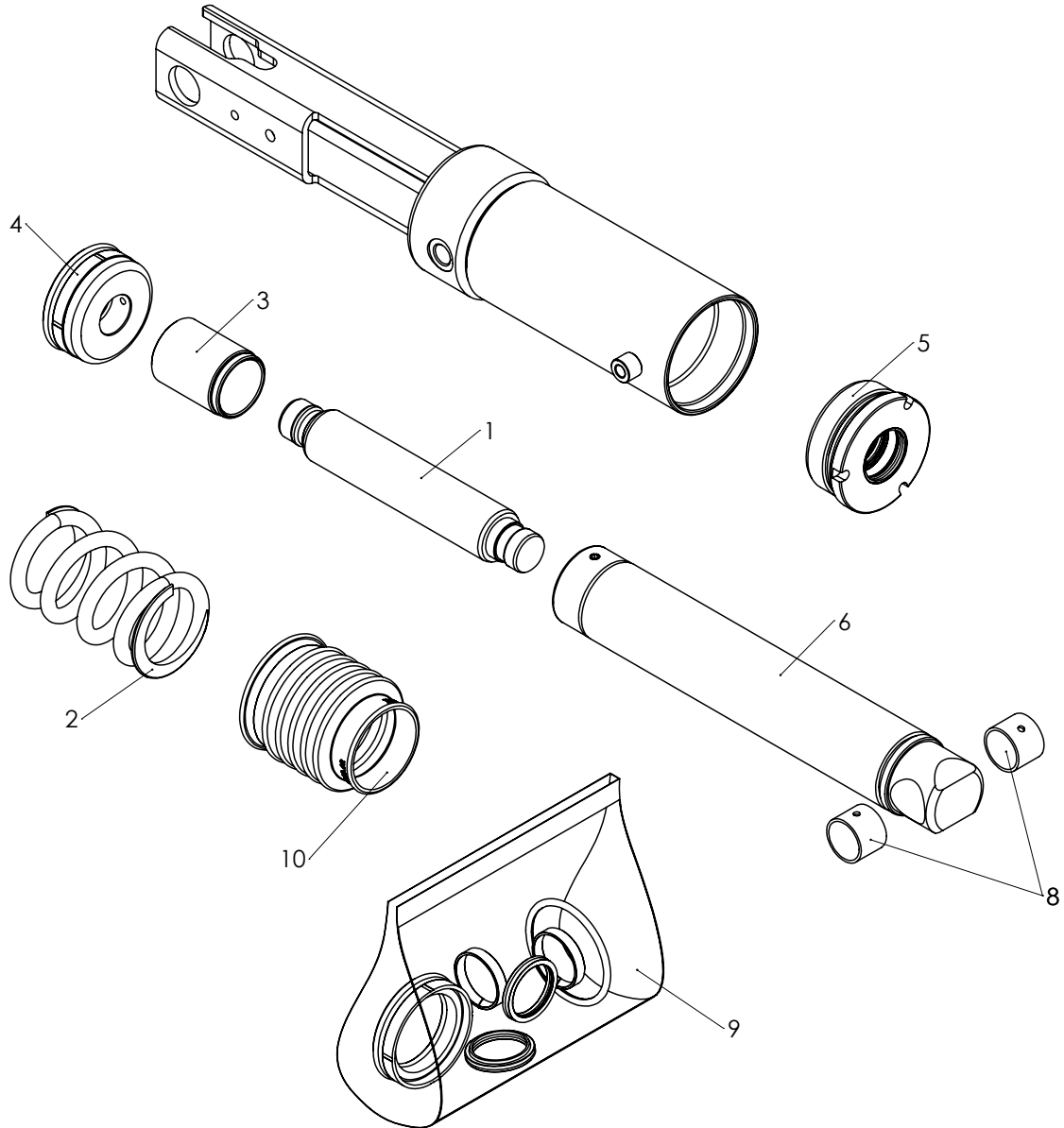
Pos	Code	Description
1	M5309.SO.B	End stop SO.20 M5110/M5111 -B-
2	M5110.1400	Sliding tube alu UNDER 1400mm
2	M5110.1500	Sliding tube alu UNDER 1500mm
2	M5110.1600	Sliding tube alu UNDER 1600mm
3	M5405.1040	Gear rack SO7/8 1040mm
3	M5405.1145	Gear rack SO7/8 1145mm
3	M5405.1300	Gear rack 1300mm SM80
4	M5259.SET	Clip set SMR ALU
5	M5314	End stop sliding tube UNDER



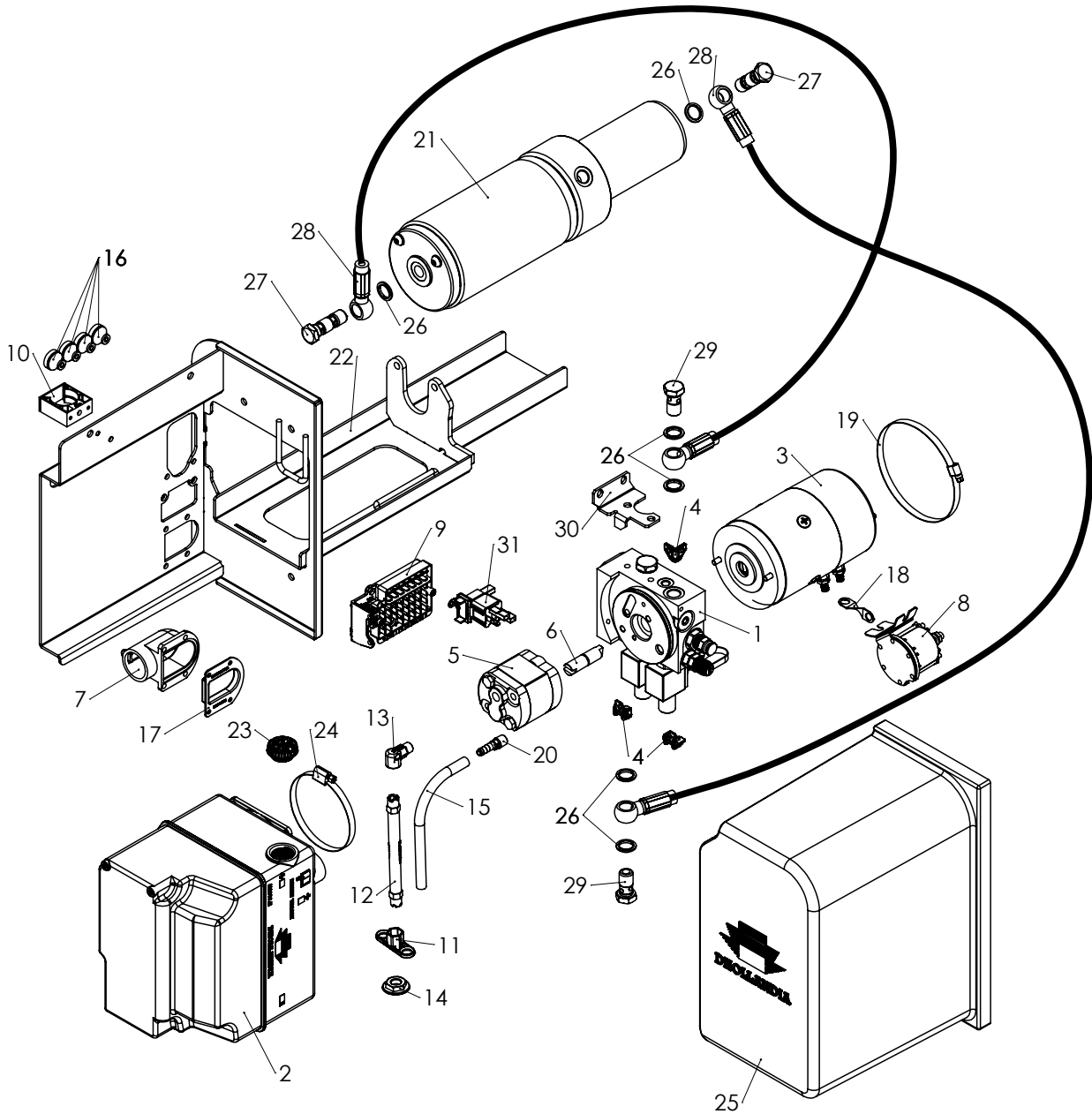
Pos	Code	Description
1	M5309.SO.B	End stop SO.20 M5110/M5111 -B-
2	M5405.1300	Gear rack 1300mm SM80
2	M5405.1145	Gear rack S07/8 1145mm
2	M5405.1040	Gear rack S07/8 1040mm
3	M5409	Fixation bar gear rack 30x17mm
4	M5259.060.2	Tightening part double
4	M5266.026.2	Tightening part double
4	M1170.220	Mounting bracket SMP 240mm
4	M1170.295	Suspension side support 295mm
4	M1170.200	Suspension side support 200mm
4	M1170.170	Suspension side support 170mm
5	M5315	End stop sliding tube SIDE
6	M5111.1400	Sliding tube alu SIDE 1400mm
6	M5111.1500	Sliding tube alu SIDE 1500mm
6	M5111.1600	Sliding tube alu SIDE 1600mm



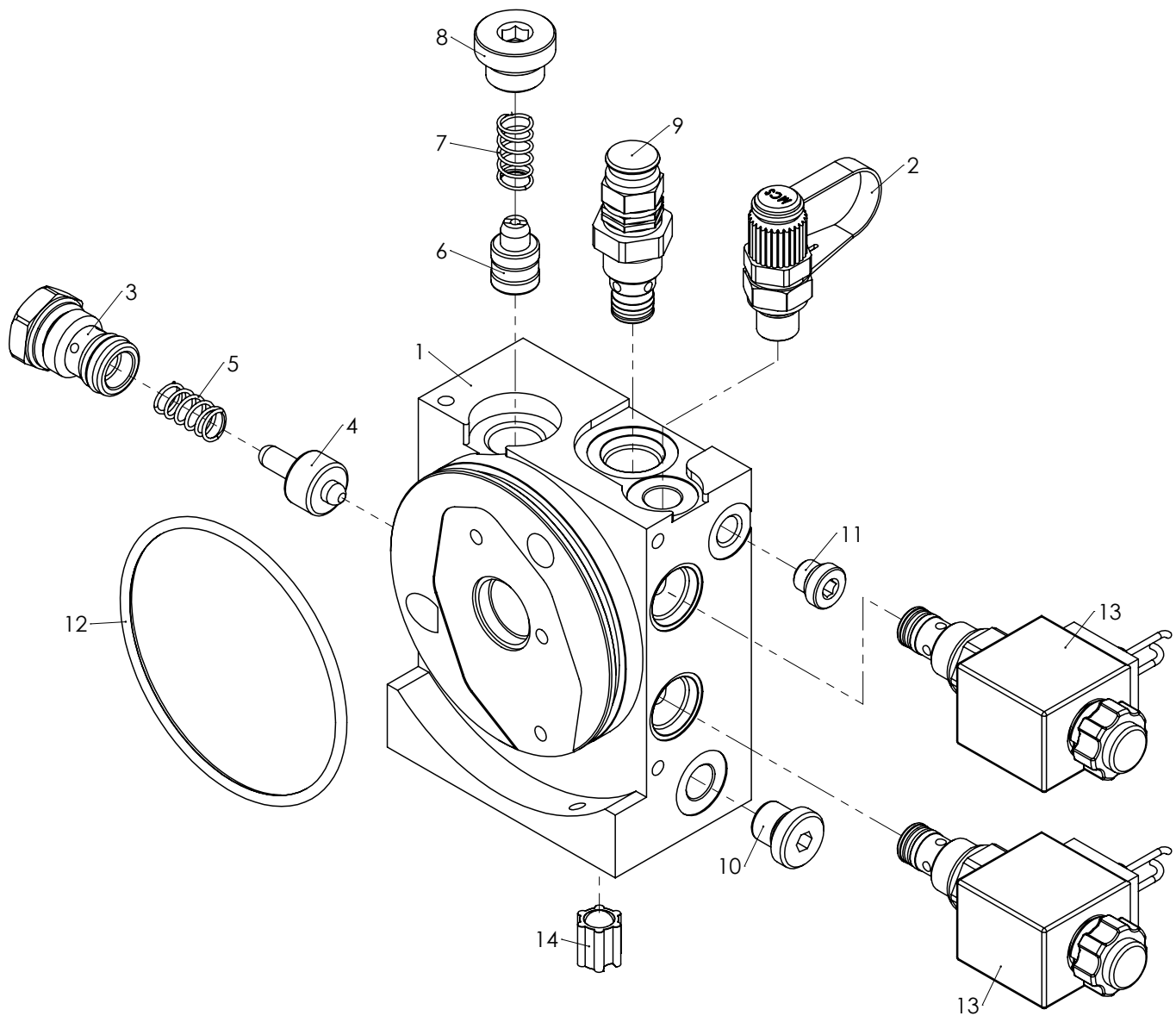
Pos	Code	Description
1	VRX085.90	Spring ring dia 90mm
1	VRX085.80	Spring ring ø80mm
1	VRX085.70	Spring ring ø70mm
1	VRX085.60	Spring ring ø60mm
2	M4640.470.B	Cylinder rod ø40x470 -B-
2	M4640.434	Rod OK310 ø40x434mm
2	M4635.474	Rod OK350 ø35x474mm
2	M4635.435	Rod OK311 D72 ø35x435mm
3	M4440.090	Piston SA ø90-40
3	M4440.080	Piston SA ø80-40
3	M4435.070	Piston SA ø70-35
3	M4435.060	Piston SA ø60-35
4	M4240.090.AP	Cylinder head ø90-40 -AP-
4	M4240.080.AP	Cylinder head ø80-40 -AP-
4	M4235.070.AP	Cylinder head ø70/35 AP
4	M4235.060.AC	Cylinder head with circlip ø60-35 AC
5	M4102.070.25.40.25.T	Fork rod ø40T L=70 (arm 25)
5	M4102.070.25.35.25.F	Fork rod ø35F L=70 (arm 25)
6	M1979.57	Ring cylinder Dia 70
7	M1830.20T	Bearing bush ø30x20mm
8	DO082.5	O-ring ø82x5mm
8	DO072.5	O-ring 72x5 mm
8	DO062.5	O-ring ø62x5
8	DO052.5	O-ring ø52x5
9	BB08.16	Allenbolt headless M8x16
10	DSE060.35.C	Seal set CIRCLIPS EW ø60-35
10	DSE070.35.C	Seal set CIRCLIPS EW ø70-35
10	DSE080.40.C	Seal set CIRCLIPS EW ø80-40
10	DSE090.40.AP	Seal set SA ø90-40 -AP-
11	M4929	Rubber sleeve 70x70



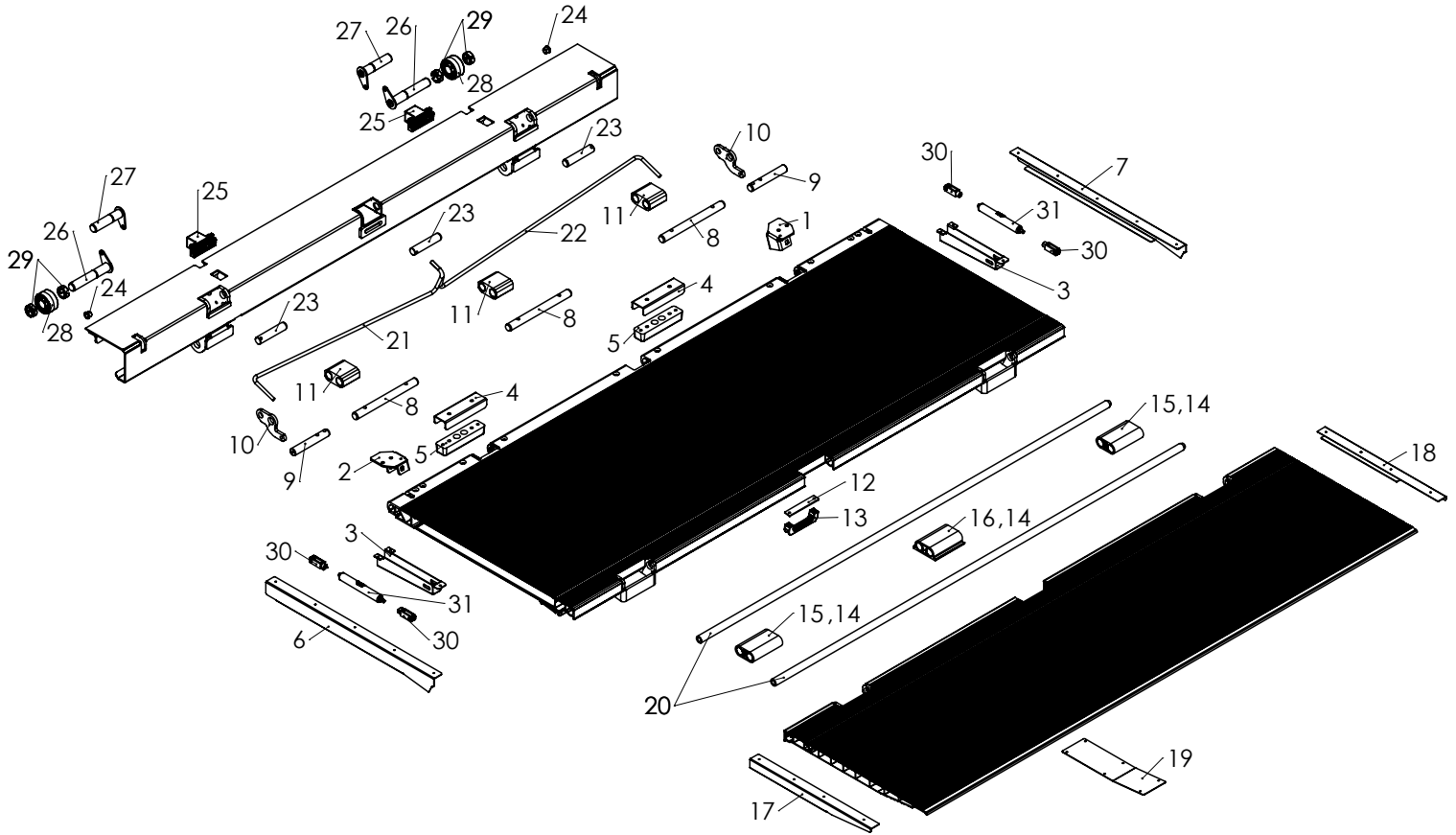
Pos	Code	Description
1	M4640.235	Cylinder rod $\varnothing 40 \times 235$ mm
2	VRD067	Pressure spring BD=78 L=125 DD=11mm
3	M1942.50.65	Bush $\varnothing 42/50 \times 65$ mm
4	M4406.080	Piston SA $\varnothing 80$
5	M4240.080.AG.B	Cylinder head guide $\varnothing 80-40$ -B-
6	M4040.350	Extension bolt-on $\varnothing 30$ - L=350
6	M4040.450	Extension bolt-on $\varnothing 30$ L=450
6	M4040.550	Extension bolt-on $\varnothing 30$ L=550
7	BB08.16	Allen bolt headless M8x16
8	M1830.25T	Bearing bush $\varnothing 30 \times 25$ mm
9	DSE080.40.D	Seal set SA $\varnothing 80/40$ -D-
10	M4980.62	Rubber sleeve $\varnothing 80-\varnothing 62$ mm



Pos	Code	Description	Pos	Code	Description
1	V171.C.22.D.24.45	Logical valve DA V171.C P22 24V ø4.5	16	E0793	Lead through rubber E0793
1	V171.C.22.D.12.45	Logical valve DA V171.C P22 12V ø4.5	17	E0552.29.B	Fixation plate muff chuck E0552
2	M3019.H	Tank horizontal 5l	18	E0064.35.T8	Connection motor Twisted 35cc ø8
3	MP013	Motor 24V 2kW block	19	M4901.130	Collar ø130
3	MP014	Motor 12V 2kW block	20	K0228	Coupling return hose 1/4"
4	M2999	Fixation bracket tank	21	CAD08.100.80.0140.B	Memory cylinder GS100-80 K=140 -B-
5	P022.26	Pump 2.6cc	22	M3145.B	Case hydr.power pack SO6 -B-
6	P900.56	Connection motor P022 - 56mm	22	M3145	Case hydr.power pack SO6
7	E0552.29	Coupling 90° - E0560.29	23	F022.OG	Air release cap orange 3/4
8	E0634.24	Relay round TRBT 24V 150A	24	M4901.100	Collar ø100
8	E0634.12	Relay round TRBT 12V 150A	25	M3067.ST	Cover hydr.power pack SO6 - Steel
9	E2051	Connection block hydr.power pack >2010	25	M3067	Cover hydr.power pack SO6
10	E0560.29	Clip corrugated pipe ø29mm	26	K0700.3-8	Sealing ring 3/8"
11	K0233	Holder return hose	27	K0188	Banjo double 3/8"
12	K0360.155	Hydraulic pipe synthetic 1/4" - 155mm	28	KSH0650.OO	HP hose E-E 650mm
13	K0232	Coupling perpendicular 1/4"	29	K0172	Banjo simple 3/8"
14	F025	Filter 1/4" - ø32mm	30	V171.A	Fixation bracket valve V171
15	K0234.200	LP hose ø8/12 L=200mm	31	E0057.A.2.24.S	Relay set 24V
			31	E0057.A.2.12.S	Relay set 12V



Pos	Code	Description
1	V171.17.Z	Logical valve empty SO.10
1	V171.22.Z	Logical valve empty V171 P22
2	K0107	Coupling pressure gauge
3	K0157	Nut switch plunger 1/2"
4	K0168.B	Switch plunger -B-
5	VRD001.1	Pressure spring BD=11 L=22 DD=1.1mm
6	V003.P.30	Plunger braking valve ø 3mm
7	VRD001	Pressure spring BD=11 L=22 DD=1mm
8	HK0702.18	Closing cap M18x1.5 SW24 12mm
9	V139	Pressure relief valve
10	K0702.1-4	Closing cap 1/4"
11	K0702.10	Closing cap M10x1
12	DO090.35	O-ring ø90x3.5
13	V133.12.K	Safety valve SA 12V (K)
13	V133.24.K	Safety valve SA 24V (K)
13	V177.12.K	Safety valve DA 12V - DHO M18
13	V177.24.K	Safety valve DA 24V - DHO M18
14	K0153	No return valve



Pos	Code	Description
1	VRX103.A.L	Fixation bracket torsion spring SO - LEFT
2	VRX103.A.R	Fixation bracket torsion spring SO - RIGHT
3	M3431.298	Bracket gas spring PLT SO - 298mm
4	M1423.A	Fixation bracket M1423
5	M1423	Rubber block 200x48x35
6	M3584.LE.L	Side lip plt left SO + Snr
7	M3584.LE.R	Side lip plt right SO + Snr
8	M1727.300	Pin $\varnothing 27 \times 300$ mm
9	M1727.170.B	Pin $\varnothing 27 \times 170$ mm -B-
10	M0547.055	Hinge fixed part SO - 55cc
10	M0547.050	Hinge fixed part SO - 50cc
11	M0544.B.50.080.G	Hinge platform point 50cc - 80mm +M1702 -B-
11	M0544.B.55.080.G	Hinge platform point 55cc - 80mm +M1702 -B-
12	M1406.A	Fixation bar handle M1406
13	M1406	Handle platform PVC
14	M0544.55	Hinge platform point Special 55cc
15	M0544	Hinge platform point ALU 140mm
16	M0543.140	Hinge flange 140mm
17	M3527.700.L	Point left ALU (LE)...mm
18	M3527.700.R	Point right ALU 950mm
19	M3407.400.C	Protection platform SO - 400mm -C-
20	M1727.2000	Pin platform point $\varnothing 27 \times 2000$ mm
21	VRX103.11.L	Torsion spring left $\varnothing 11 - 938$ cc
22	VRX103.11.R	Torsion spring right $\varnothing 11 - 938$ cc
23	M1727.131.BO08	Pin $\varnothing 27 \times 131$ mm - BO08
24	M1912.20.16.B	Spacer bush $\varnothing 12.5/20/25 \times 16$ mm -B-
25	M1429	End stop fixed part ALU
26	M1730.185.P50.L	Pin $\varnothing 30 \times 185$ mm - 50cc
27	M1730.139.P50.L	Pin $\varnothing 30 \times 139$ mm 50cc
28	M1975.31	Platform roller $\varnothing 75/31 \times 46$ mm
29	M1975.31.1	Ring platform roller pin $\varnothing 30$
30	VGM10.3	Fork gas spring M10x40mm
31	VG2500.100	Gas spring 2500N - 100mm