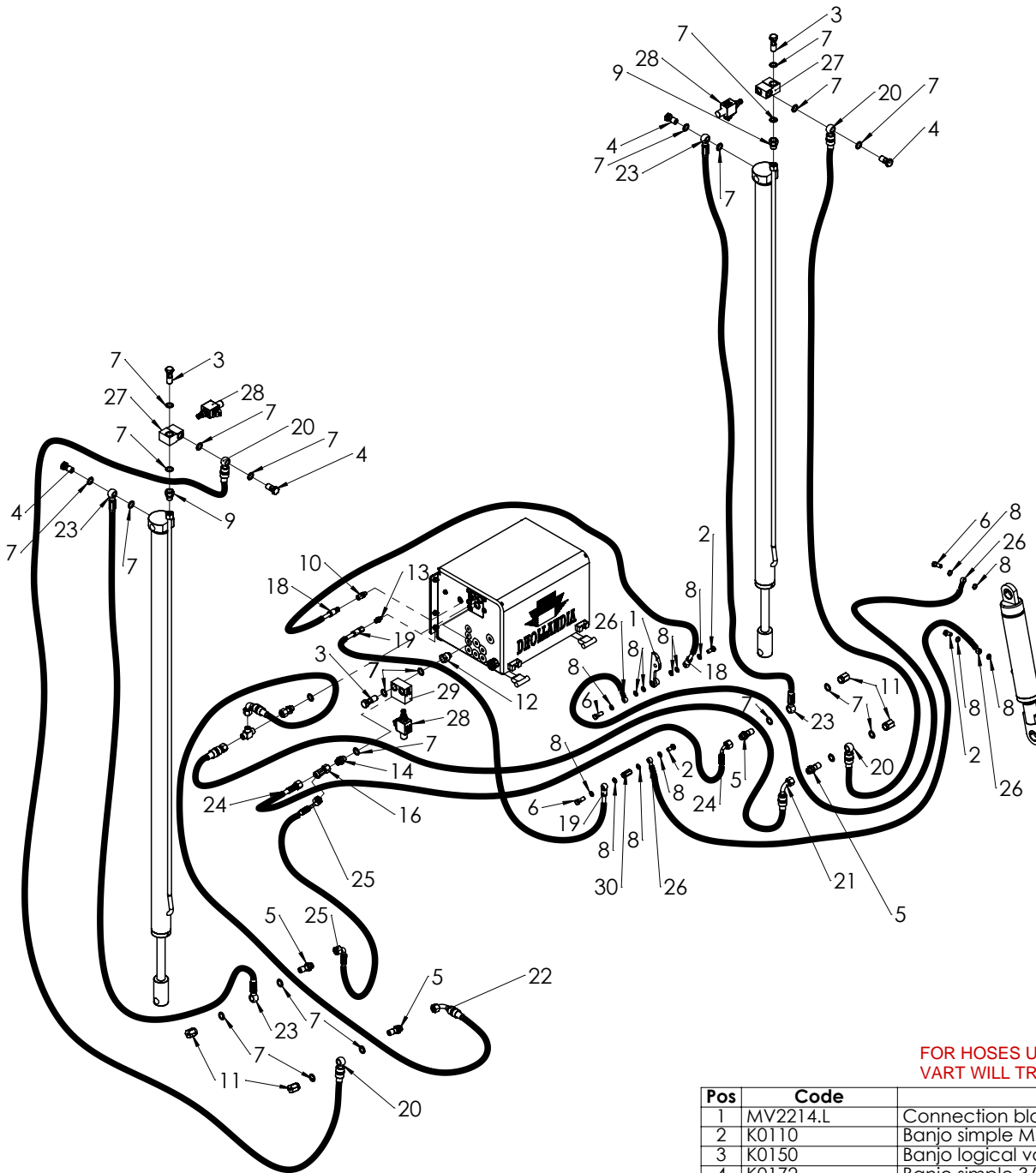
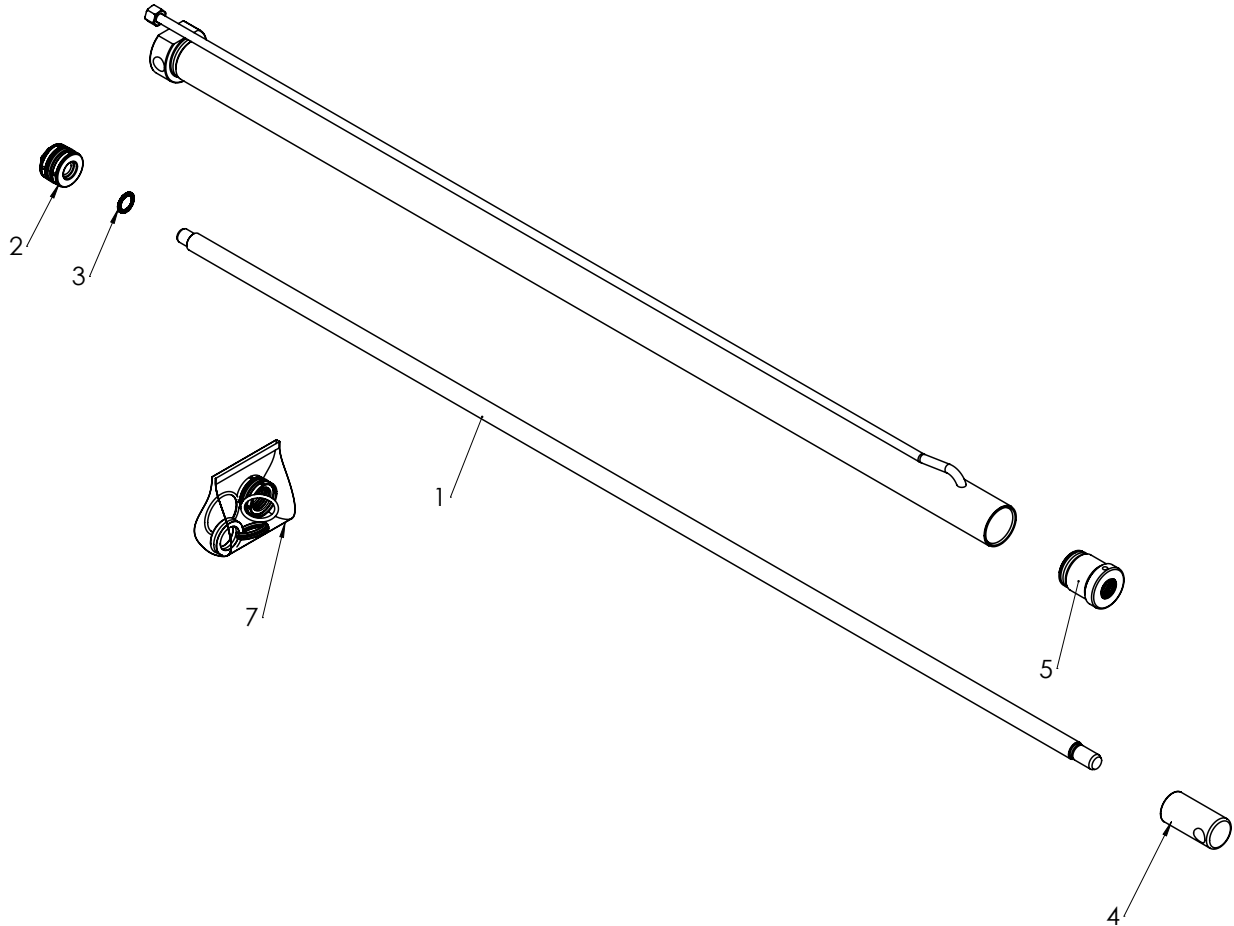


Pos	Code	Description	Pos	Code	Description
1	MV2203.LE.Z.R	Frame right VHT.30 + Snr	18	MV2215.B.LE	Upper plate VHT.30 + Snr
2	MV2203.LE.Z.L	Frame left VHT.30 + Snr	19	MV2216.B.L	End stop platform point VHT.30 Left -B-
3	C. 20.050.06.015.D	Tilt cylinder DA ø50/30 K=155 -D-	20	MV2216.B.R	End stop platform point VHT.30 Right -B-
4	MV2253.B	Cover C-profile VH30.E1 B30	21	MV2213.1684.R	Lift runner compl. right VHT.30 1684mm
5	MV2206.1148	Beam light-plate DH-V - 1148mm	22	MV2213.1684.L	Lift runner compl. left VHT.30 1684mm
6	MV2209	Mounting plate extension VHT.30	23	CHV11.050.25.1380.C	Lift cylinder VHT.30 ø50/25 K=1380
7	MV2211	Fixation bar end stop VHT.30	24	M1705.30.45.15	Safetying pin ø30 - 45cc
8	<b>MV2212.B</b>	<b>Protection cap exterior control VHT.30</b>	25	M1720.074.BO08B.Z	Pin ø20x74mm - BO08B
9	MV1200.090.019.0450	Guide synthetic 450mm	26	M1720.125.BO08B.Z	Pin ø20x125 - BO08B
10	MV2208.2200	Tube frame VHT.30 2200mm	27	M1735.133.F.L	Pin flange ø35x133
11	MV2207.2200.B	U-profile frame VH.30 2200mm -B-	28	M1910.42.4	Spacer ring ø10-42x4mm
12	MV2214.L	Connection block banjo VHT.30 Left	29	M1920.34.06	Spacer ring lift cylinder ø20.5/34x6mm
13	MV2247.LE	Intermediary beam frame VHT.30 + Snr	30	M1937.45.47	Spacer bush frame ø37-45x47mm
14	MV2251.C.050.LE	Plate Floor VHT.30 - 50mm -C-	31	E0837.1.5004.PD	Toggle switch control simple 4x1-5m + PD
14	MV2251.C.095.LE	Plate Floor VHT.30 - 95mm -C-	32	EFD.90.500	Mark vertical DHOLLANDIA 90x500mm
15	MV2249.LE	Shroud profile frame VHT.30 + Snr	33	M0502.100.30	Closing cap 100x30mm
15	MV2248.LE	Protection cap Hydraulic assembly VHT.30 + Snr	34	G2M.A01	Fixation bracket hydr.power pack G2M - A01
16	MV2205	Fixation plate side beam VHT.30	35	G.VH30.213026.45.L.X02	Hydr.power pack left VH30 3kW 24V P30.26
17	MV2204.B.0800	Extension side beam VHT.30 - 800mm	35	<b>G2M.VOMM5.33301222.45.L.X02</b>	<b>Dual pump power unit</b>

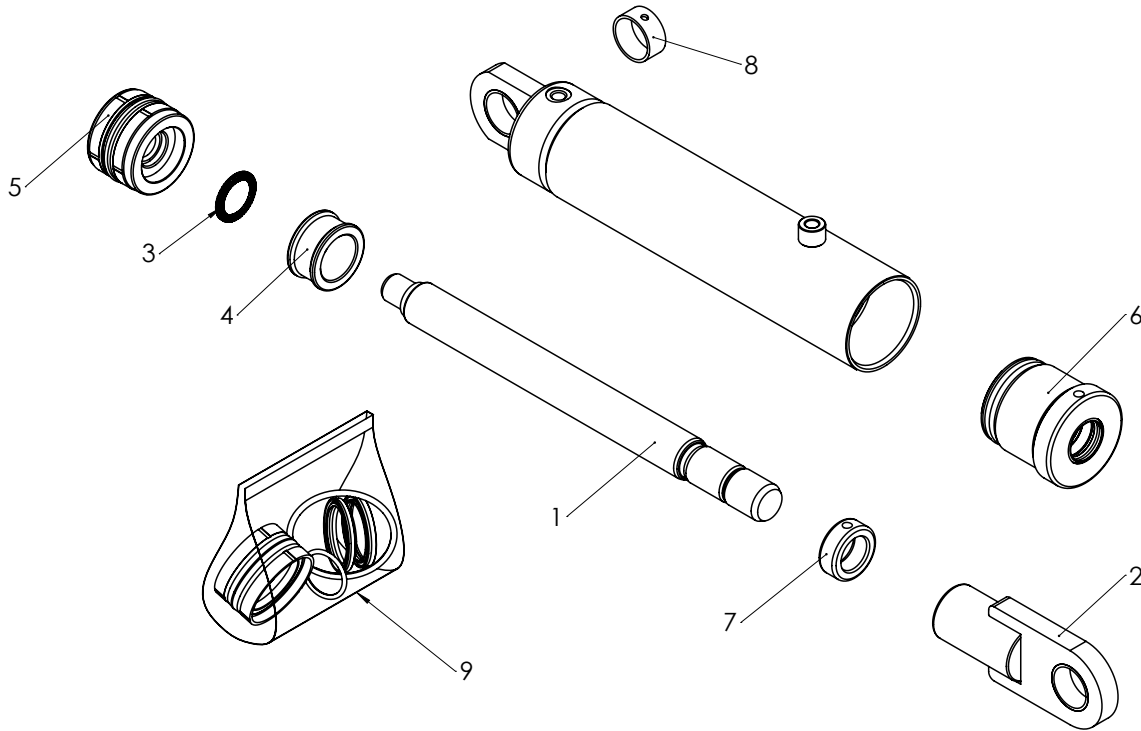


FOR HOSES USE NUMBERS GIVEN  
VART WILL TRANSLATE

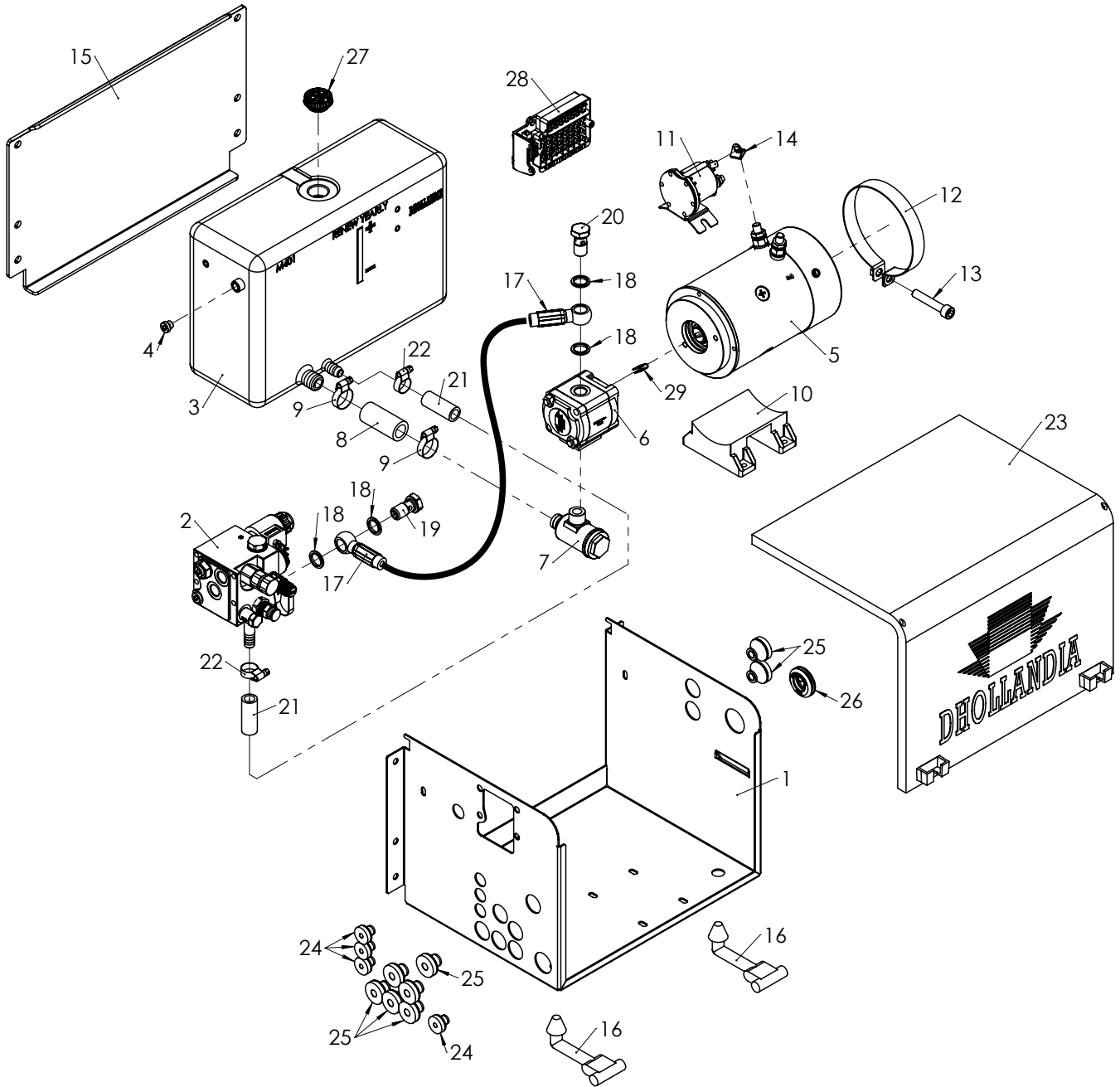
Pos	Code	Description
1	MV2214.L	Connection block banjo VHT.30 Left
2	K0110	Banjo simple M10x1
3	K0150	Banjo logical valve
4	K0172	Banjo simple 3/8"
5	K0200	Banjo G3/8"+M18x1.5 L=50
6	K0256	Banjo simple M10 - PRESSURE (13.5mm)
7	K0700.3-8	Sealing ring 3/8"
8	K0700.B10	Sealing ring Bonded M10
9	K0187.31	Bulkhead coupling 3/8"- 18x1 - 31mm
10	K0605	Coupling adjustable M10x1 - 6
11	K0704.3-8.B	Closing cap banjo 3/8" + M8
12	K0703.3-8.E	Closing cap 3/8"+M10x1 L=31.5
13	K1024	Coupling straight M10x1 -6L
14	K1201	Coupling straight 3/8"-12
15	K1208	Coupling adjustable 3/8"-12
16	K1213	Coupling adjustable T 12
17	K1232	Coupling T 12
18	KSP2400.DO.6L	HP hose E-T 6L - 3/16" - 2400mm
19	KSP2500.MO.6L	HP hose E-N 6L - 3/16" - 2500mm
20	KSH2400.OQ.3-8	HP hose E-E 90° 3-8" - 2400mm
21	KSH2550.MN.3-8	HP hose N-N 90° 3-8" - 2550mm
22	KSH4050.NN.3-8	HP hose N90°- N90° 4050mm 3-8"
23	KSH2500.OQ	HP hose E-E 90° 2500mm
24	KSH2550.MN	HP hose N-N 90° 2550mm
25	KSH4050.NN	HP hose N90°- N90° 4050mm
26	KST.846.2000.OQ	Hose triple 2000mm O-Q
27	V132.B	Block safety valve cylinder voor V133
28	V177.24	Safety valve DA 24V - DHO M18
29	V216.Z	Block safety valve empty VHT.30
30	K0263	Coupling M10x1 - M10x1



Pos	Code	Description
1	M4725.1712	Rod lift cylinder VHT.30 $\varnothing$ 25x1712mm
2	M4535.050.C	Piston DA $\varnothing$ 50-35 DKC
3	BC20.4	Spring washer M20 - Schnorr
4	M4137.073	Extension lift cylinder VHT M22x1.5 - 73cc
5	M4225.050.SV.C	Cylinder head steel $\varnothing$ 25/50 DHV -C-
6	M4835.40	Spacer ring cylinder 40mm
7	DSD050.25	Seal set DA $\varnothing$ 50-25



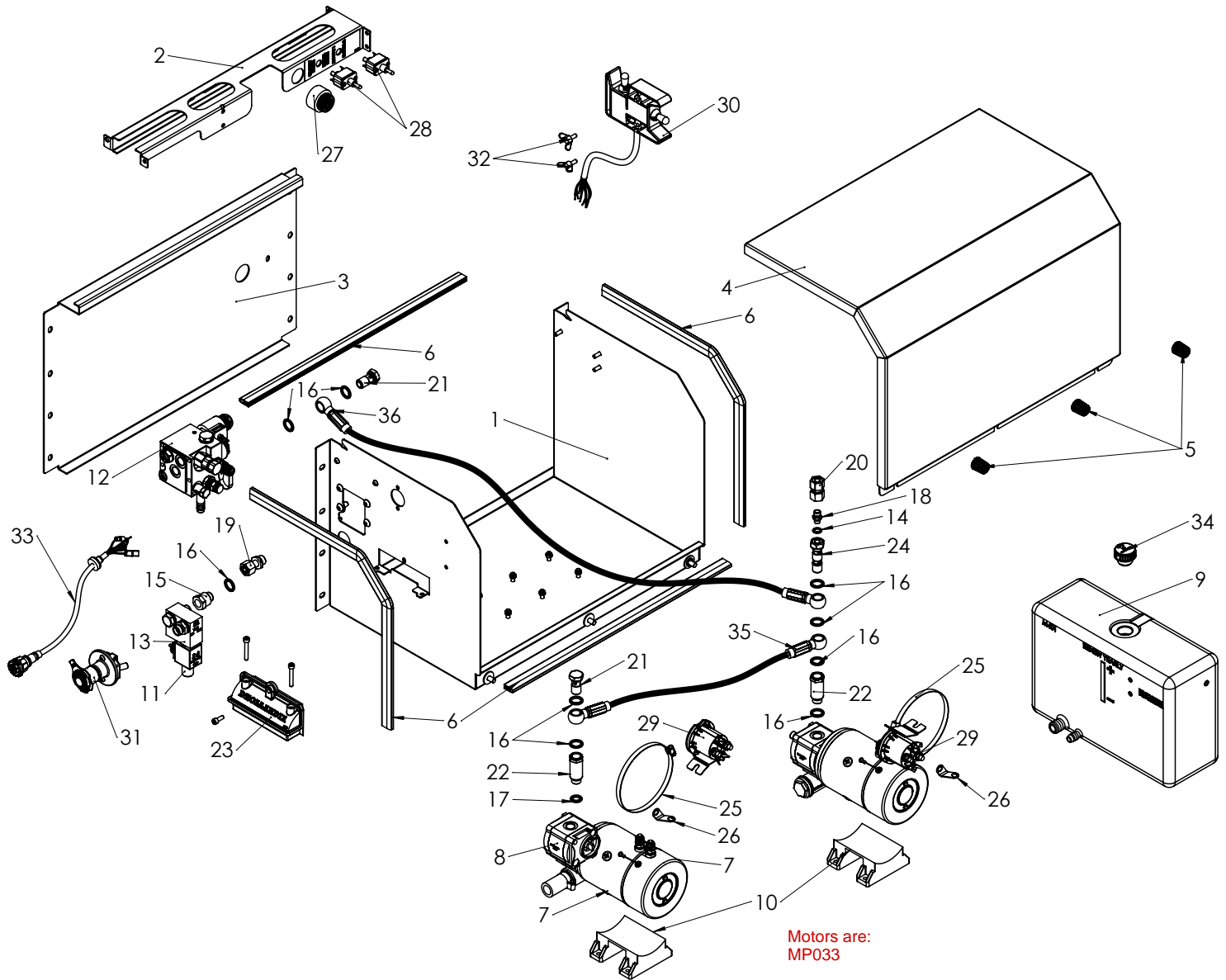
Pos	Code	Description
1	M4630.355	Rod tilt cylinder 30x355mm
2	M4037.117	Extension tilt cylinder CSVD02 - 117cc
3	BC24.3	Spring washer M24
4	M4835.25	Spacer ring cylinder 25mm
5	M4535.060.C	Piston DA 60 -C-
6	M4230.060.SV.B	Cylinder head steel 60/30 -B-
7	M4810.27	Locking ring extension M27
8	M1830.15T	Bearing bush 30x15mm
9	DSD060.35T	Seal set DA 60-35 TPM



Pos	Code	Description
1	M0406.V190.L	Case hydr.power pack 3KW + V190 LEFT
2	V190.12.4	Logical valve VH30 12V P4.5
2	V190.24.4	Logical valve VH30 24V P4.5
3	M0401	Tank left 10L-3000W
4	K0702.10	Closing cap M10x1
5	MP021	Motor 24V 3000W
5	MP025	Motor 24V 2000W
5	MP027	Motor 12V 2000W
6	P030.26	Pump 2.6cc
7	F020	Filter compl. >2008..
8	K0088.60	Suction hose pump 60mm
9	M0357	Collar suction hose
10	M0415	Support motor
11	E0634.12	Relay round TRBT 12V 150A
11	E0634.24	Relay round TRBT 24V 150A
12	M0119	Collar motor 2000W
12	M0120	Collar motor 3000W
13	BI08.055	Allenbolt with head M8x55

Pos	Code	Description
13	BI10.055	Allenbolt with head M10x55
14	E0064.R	Connection motor RIGHT
15	M0386	Suspension plate hydr.power pack 350mm
16	M0416	Lock rubber
17	KSH0350.OO	HP hose E-E 350mm
18	K0700.3-8	Sealing ring 3/8"
19	K0172.B	Banjo simple 3/8 -B-
20	K0172	Banjo simple 3/8"
21	KSL0320.1-2	LP hose 310mm 1-2"
22	M0365	Collar return hose ø20
23	M0411	Cover hydr.power pack 3000W
24	E0793	Lead through rubber E0793
25	E0793.M25	Lead through rubber E0793.M25
26	E0093.21	Lead through rubber 21mm
27	F022.OG	Air release cap orange 3/4
28	E2051.LX	Connection block hydr.power pack >2010
29	M0420	Connection pump 'U'

MP033

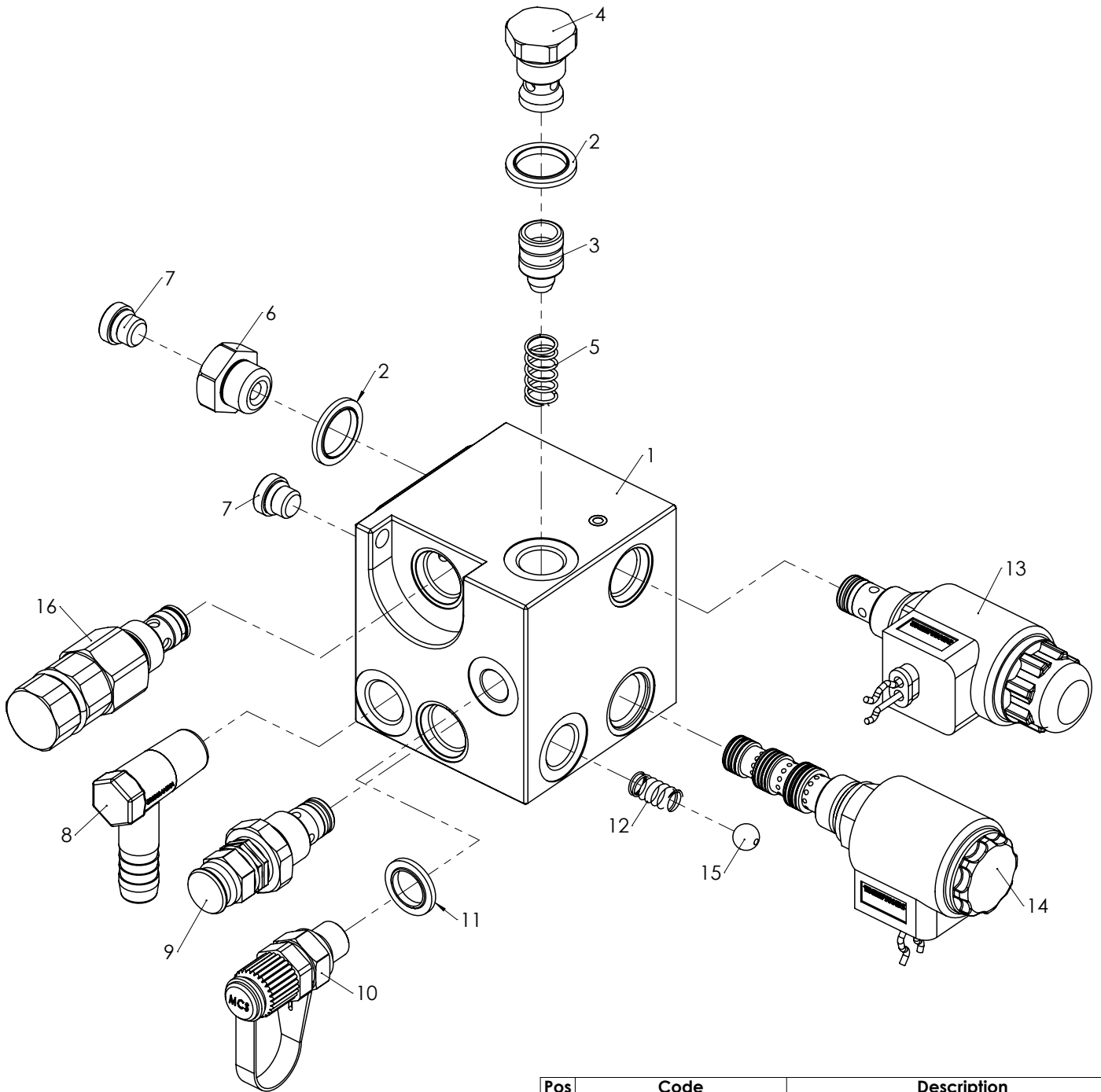


Motors are:  
MP033

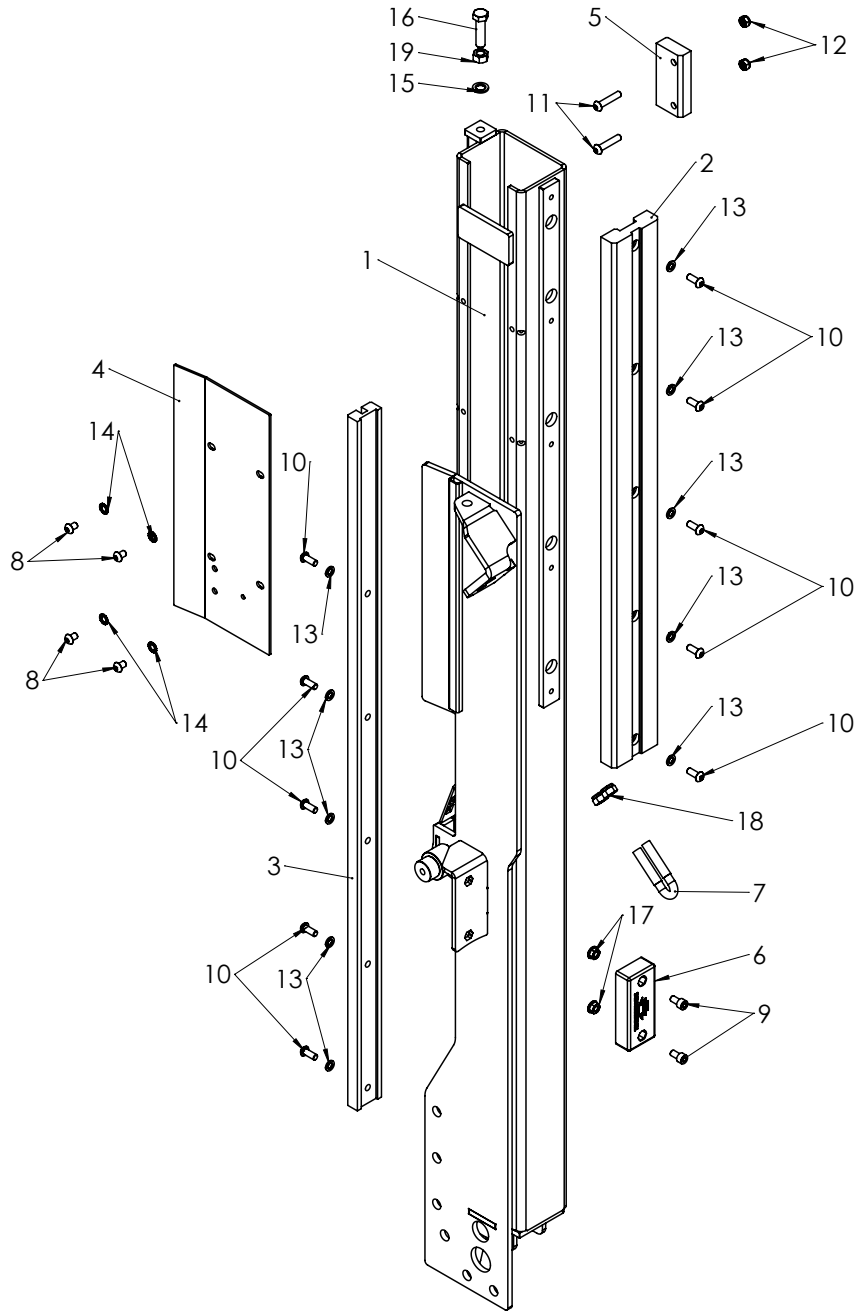
Pumps are:  
P030.22 / 26

Pos	Code	Description
1	M3199.V190.C.L	Case power pack G2M.L V190 -C-
2	M3199.I.C	Fixation bracket control G2M.L -C-
3	M3199.K	Suspension plate power pack G2M.L
4	M3199.M	Cover power pack G2M
5	M3069	Screw cap cover M8
6	M2005	Sealing rubber
7	MP027	Motor 12V 2000W
8	P030.17	Pump 1.7cc
8	P030.22	Pump 2.2cc
9	M0401	Tank left 10L-3000W
10	M0415	Support motor
11	V177	Cartridge without coil DA DHO M18
12	V190.12.4	Logical valve VH30 12V P4.5
13	V216.Z	Block safety valve empty VHT.30
14	K0700.B10	Sealing ring Bonded M10
15	K0703.3-8.E	Closing cap 3/8"+M10x1 L=31.5
16	K0700.3-8	Sealing ring 3/8"
17	K0700.1-4	Sealing ring 1/4"
18	K1024	Coupling straight M10x1 -6L

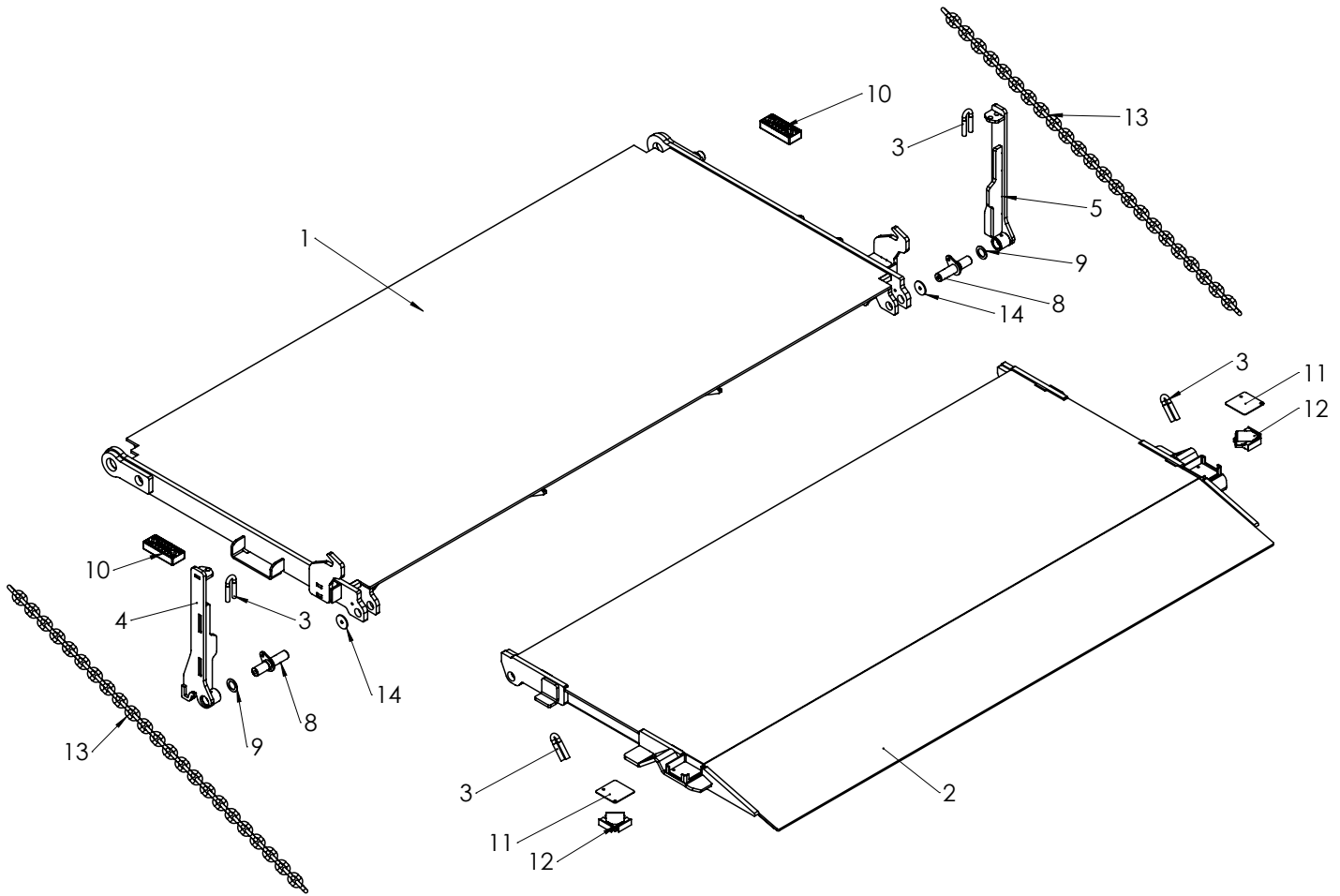
Pos	Code	Description
19	K1208	Coupling adjustable 3/8"-12
20	K1248	Bulkhead coupling 12/M10
21	K0172	Banjo simple 3/8"
22	K0184	Body braking valve V110 3/8-3/8"
23	M3139	Lead through rubber power pack
24	K0188.10	Banjo double 3/8" - M10x1
25	M4901.130	Collar $\omega$ 110-130
26	E0064.R	Connection motor RIGHT
27	E0259	Acoustic signal 12-24V DUAL
28	E0383	Switch handle MOM-OFF-MOM
29	E0634.12	Relay round TRBT 12V 150A
30	E0834.C5009.VHT	Toggle switch control VHT
31	E2006	Battery switch DHOLLANDIA
32	BX06.016	Wing bolt M6x16mm
33	E0580.F.7.08000.CH	Plug female 7P IIT 8m - CH
34	F002	Air release cap 3/4"
35	KSH0200.OO	HP hose E-E 200mm
36	KSH0450.OO	HP hose E-E 450mm



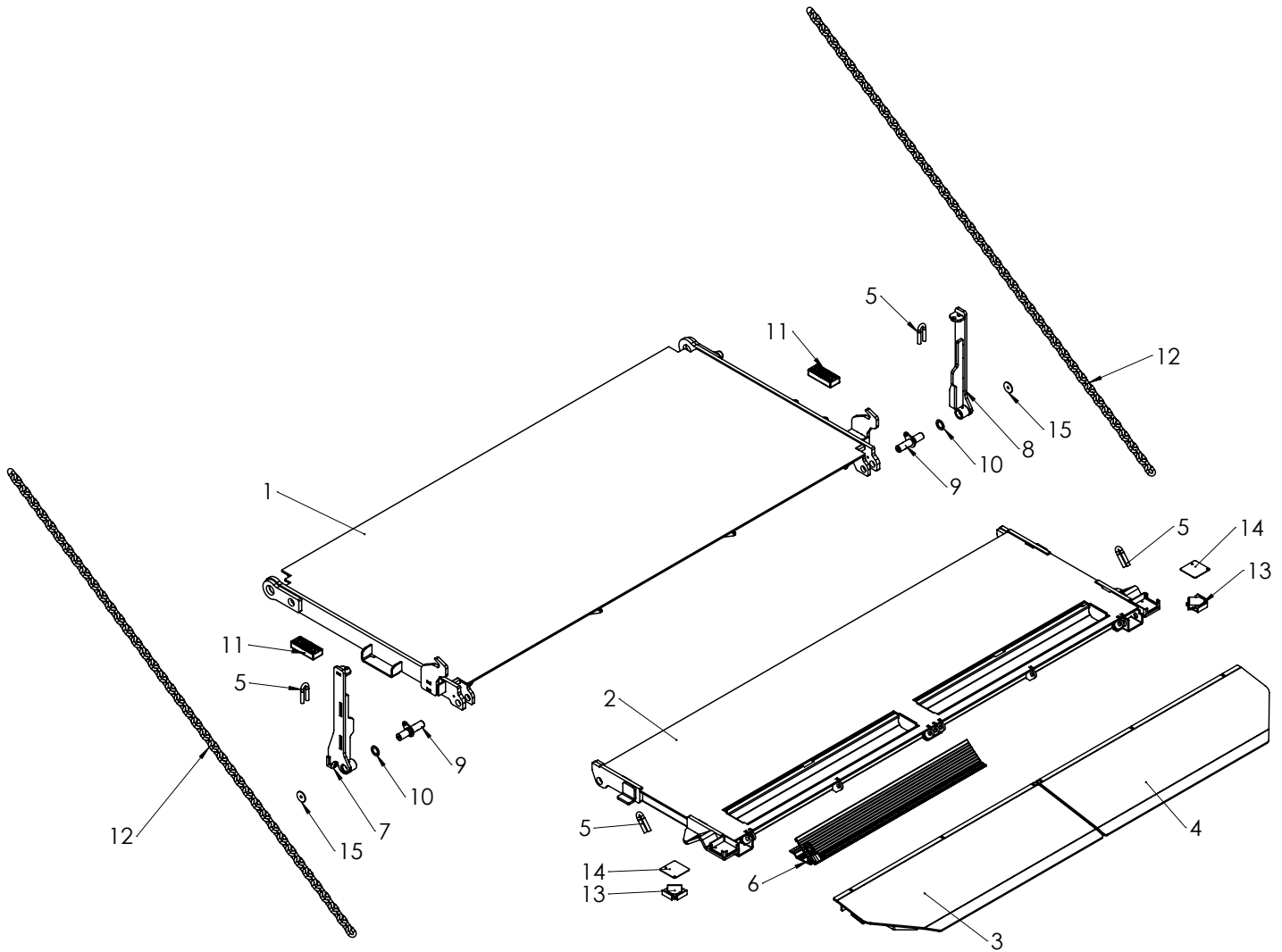
Pos	Code	Description
1	V190.Z	Logical valve empty V190
2	K0700.3-8	Sealing ring 3/8"
3	V003.P.45	Plunger braking valve $\varnothing$ 4.5mm
4	K0702.3-8.B	Closing cap braking valve 3/8" -B-
5	VRD001	Pressure spring BD=11 L=22 DD=1mm
6	K0703.3-8.D	Closing cap 3/8"+M10x1 L=18
7	K0702.10	Closing cap M10x1
8	K0190	Coupling return hose 3/8
9	V139	Pressure relief valve DHO M18
10	K0107	Coupling pressure gauge
11	K0700.1-4	Sealing ring 1/4"
12	VRD002	Pressure spring stainless steel $\varnothing$ 6x17 DD=0.65
13	V177.12.HK	Safety valve DA 12V - DHO M18 - HYDAC
13	V177.24.HK	Safety valve DA 24V - DHO M18 - HYDAC
14	V178.12.HK	Valve 4/2 - 12V HYDAC
14	V178.24.HK	Valve 4/2 - 24V HYDAC
15	KL009	Ball $\varnothing$ 9mm
16	V010.050	Pressure relief valve 50 bar sequential



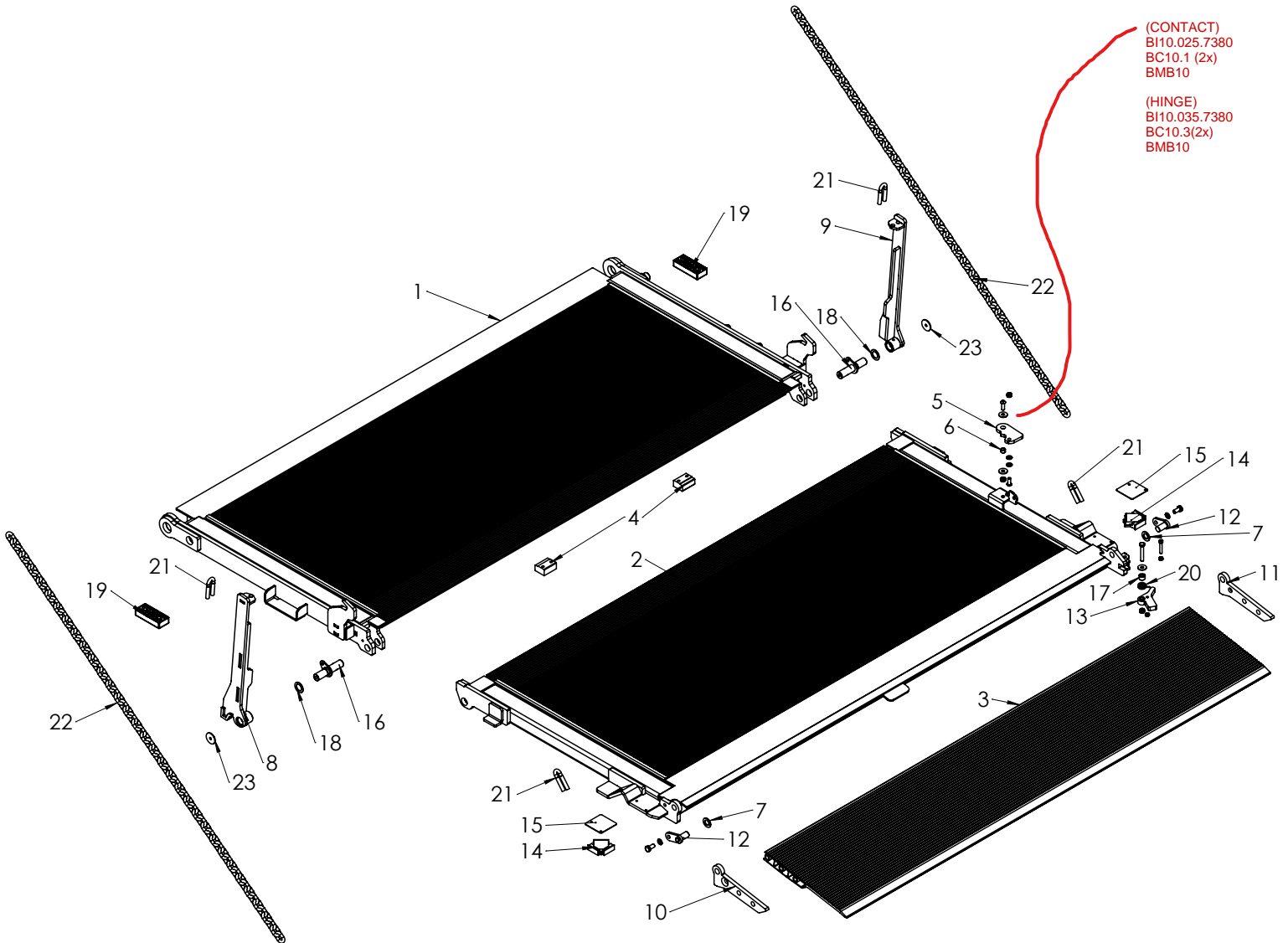
Pos	Code	Description
1	MV2213.1684.Z.L	Lift runner empty VHT.30 Left
1	MV2213.1684.Z.R	Lift runner empty VHT.30 Right
2	MV1206.086.025.0850	Guide synthetic 86x25x850mm
3	MV1200.050.020.1116	Guide synthetic 50x20x1116mm
4	MV2218.R	Closing plate hydraulic assembly right VHT.30
4	MV2217	Closing plate slide VHT.30
5	MV1200.045.020.0100	Guide synthetic 45x20x100mm
6	M1404.F	End stop rubber 118x50
7	BX12.080	Fixation bracket chain M12x80 25cc
8	BI08.012.7380	Bolt M8x12 DIN 7380
9	BI08.015	Allenbolt with head M8x15
10	BI08.020.7380	Allenbolt M8x20 DIN7380
11	BI08.040.7380	Allenbolt with rounded head M8x40mm
12	BMB08	Locking nut M8
13	BC08.2	Spring washer M8
14	BC08.4	Spring washer toothed M8
15	BC12.2	Spring washer M12
16	BT12.045	Bolt M12x45
17	BMF08	Nut flange M8
18	BMB12	Locking nut M12
19	BMZ12	Nut M12



Pos	Code	Description
1	XVKS.SDT4FP.HC.01	Fixed part steel VHT30.E1.B30 + Snr
2	XVPS.SDT4LP.HC.01	Point steel VHT30.E1.B30 + Snr
3	BX12.080	Fixation bracket chain M12x80 25cc
4	MV2243.0420.C.L	Support chain VHT30 - LEFT -C-
5	MV2243.0420.C.R	Support chain VHT30 - RIGHT -C-
6	MV2243.0520.C.L	Support chain VHT30 - LEFT -C-
7	MV2243.0520.C.R	Support chain VHT30 - RIGHT -C-
8	M1725.124.P30.R	Pin $\varnothing 25 \times 124 \text{mm}$ - 30cc
9	M1925.40.2.I	Spacer ring stainless steel $\varnothing 25 / 40 \times 2 \text{mm}$
10	M1404.F	End stop rubber 118x50
11	E0702.A	Protection cap light E0702
12	E0702	Platform light battery
13	MV0210.10	Chain $\varnothing 10$
14	M1908.42.3	Washer $\varnothing 8.5 / 42 \times 3 \text{mm}$



Pos	Code	Description
1	XVKS.SDT4FP.HC.01	Fixed part steel VHT30.E1.B30 + Snr
2	XVPS.SDT4FP.HC.01	Point steel VHT30.E1.B30 + Snr
3	MV2244.LE.H.L	Platform point left VH30 + Snr
4	MV2244.LE.H.R	Platform point right VH30 + Snr
5	BX12.080	Fixation bracket chain M12x80 25cc
6	M0974.M.0895.L	Pallet stop box left 895mm
7	MV2243.0420.C.L	Support chain VHT30 - LEFT -C-
7	MV2243.0520.C.L	Support chain VHT30 - LEFT -C-
8	MV2243.0420.C.R	Support chain VHT30 - RIGHT -C-
8	MV2243.0520.C.R	Support chain VHT30 - RIGHT -C-
9	M1725.124.P30.R	Pin ø25x124mm - 30cc
10	M1925.40.2.I	Spacer ring stainless steel ø25/40x2mm
11	M1404.F	End stop rubber 118x50
12	MV0210.10	Chain ø10
13	E0702	Platform light battery
14	E0702.A	Protection cap light E0702
15	M1908.42.3	Washer ø8.5/42x3mm



(CONTACT)  
 B110.025.7380  
 BC10.1 (2x)  
 BMB10

(HINGE)  
 B110.035.7380  
 BC10.3(2x)  
 BMB10

Pos	Code	Description
1	XVKA.SDP5RM.HC.01	Fixed part alu VHT30.E1.B30 + Snr
2	XVPA.SDP5RM.HC.01	Point alu VHT30.E1.B30 + Snr
3	MV0339.LE	Loading dock ramp VHT30 + Snr
4	WS6469	Support block VHT.30E1.B30
5	MV2265	Platform lock Loading dock ramp VHT30
6	M1910.16.11	Spacer ring $\varnothing 10-16 \times 11$ mm
7	M1920.35.3	Spacer ring spring $\varnothing 20.5/35 \times 3$ mm
8	MV2243.0420.C.R	Support chain VHT30 - RIGHT -C-
8	MV2243.0520.C.L	Support chain VHT30 - LEFT -C-
9	MV2243.0420.C.L	Support chain VHT30 - LEFT -C-
9	MV2243.0520.C.R	Support chain VHT30 - RIGHT -C-
10	MV0339.A.L	Side hand left MV0339
11	MV0339.A.R	Side hand right MV0339
12	M1720.050.D	Pin platform $\varnothing 20 \times 50$ mm -D-
13	MV2266	Platform lock Loading dock ramp
14	E0702	Platform light battery
15	E0702.A	Protection cap light E0702
16	M1725.124.P30.R	Pin $\varnothing 25 \times 124$ mm - 30cc
17	M1910.21.14	Spacer bush lock VHT.30
18	M1925.40.2.I	Spacer ring stainless steel $\varnothing 25/40 \times 2$ mm
19	M1404.F	End stop rubber 118x50
20	VRW100.R	Torsion spring right $\varnothing 3$ mm
21	BX12.080	Fixation bracket chain M12x80 25cc
22	MV0210.10	Chain $\varnothing 10$
23	M1908.42.3	Washer $\varnothing 8.5/42 \times 3$ mm