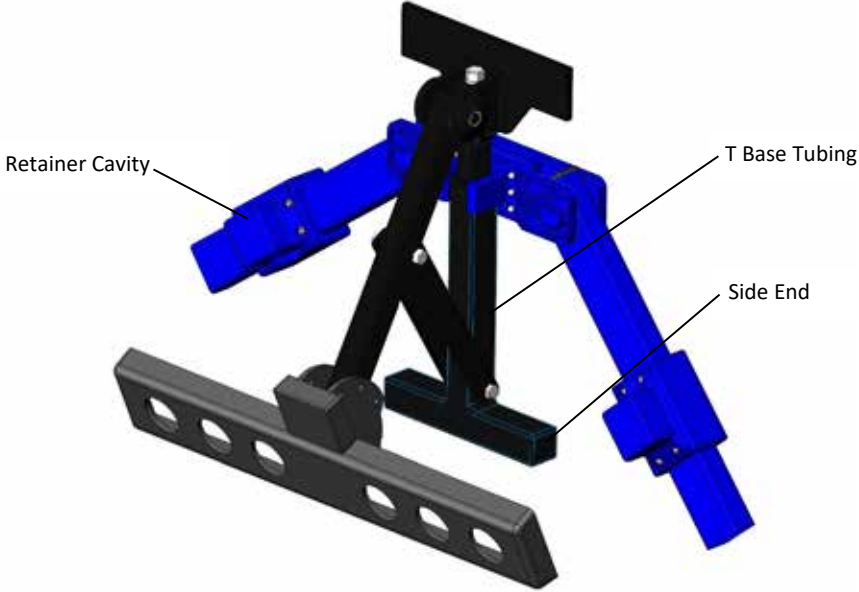
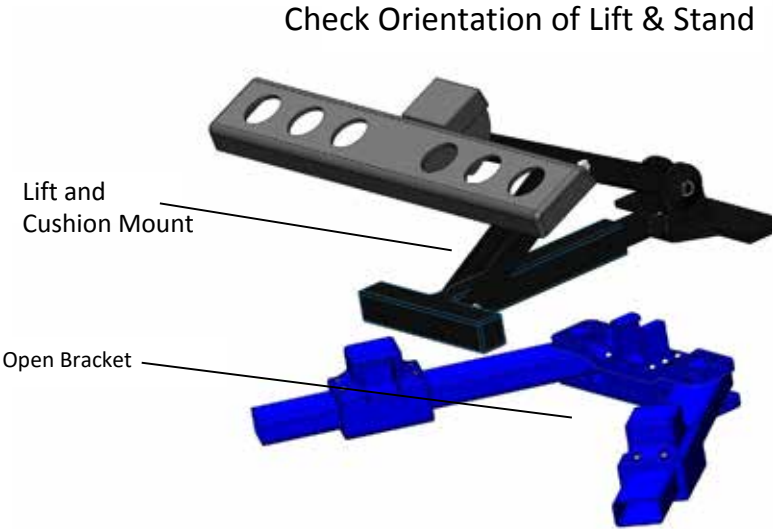
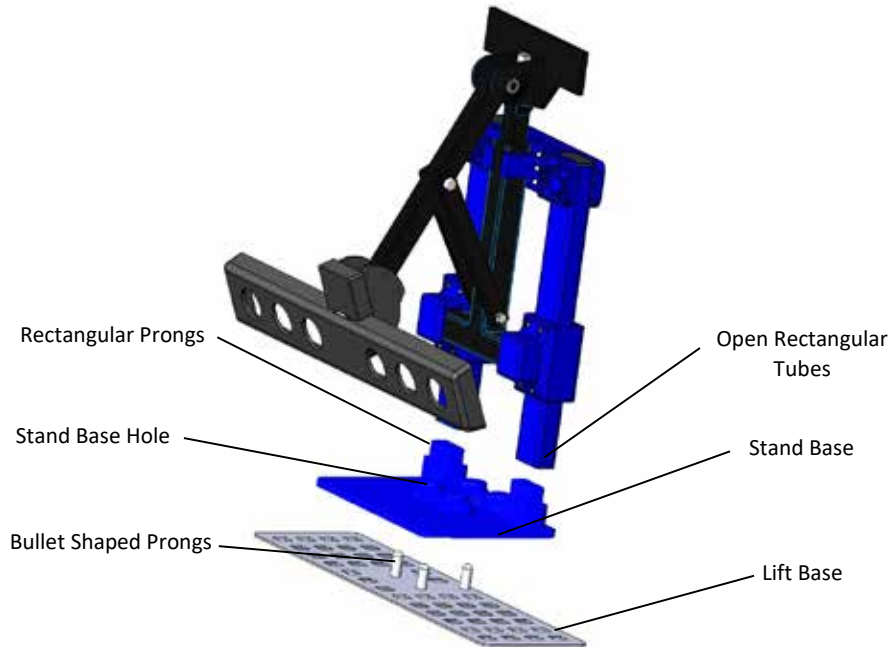


# THREE STEPS TO ASSEMBLE THE HORIZONTAL USE STAND

Step 1. Click Bracket Onto Bottom of the Base



Step 2. Pop the Two Retainer Cavities Over the Side Ends of the T-Base Tubing.



Step 3. Insert the Lift Into the Two Bases

