



## PREVENTIVE MAINTENANCE

Since the purchase of a Mack, a quality product, is a good investment, to safeguard it demands that this unit be given the Preventive Maintenance necessary to insure long life and profitable operation.

Without regular lubrication, periodic inspection, and timely adjustment, no motor vehicle is safe to operate. Nor can it be depended upon to complete each trip on schedule and without difficulty. Low maintenance cost depends upon the prevention of needless repairs and replacements by preventive maintenance — the stitch in time — which corrects small troubles before they develop into large ones.

Have this unit inspected regularly, and necessary repairs made at a Mack Service Station, where personnel is factory trained, and shops are equipped with special service tools for turning out precision work.

Modern motor vehicles require scientific servicing to insure efficient, economical transportation. Your confidence in Mack, expressed by the purchase of this unit, should be extended this one step further to be sustained.

*For Preventive Maintenance Service*

*See Service Manager  
at nearest Mack Branch*

Printed in U.S.A.



## Your Parts Book

**MAIN INDEX** - To simplify the process of locating Part numbers, the vehicle has been divided into Groups and Sections. The Group Index at the front of the book indicates the groups in the order in which they are located.

**GROUP INDEXES** - Each are located at the Front of the main group to give supplementary information relating the Illustrations and the Text.

**ILLUSTRATIONS** - These are located at the Front of each group following the index. First refer to the illustration covering the assembly or arrangement in which the part is used. When the required part is located you will notice that a Key-Letter has been assigned. Then by referring to the text, the key-letters listed in alphabetical order, will locate the Part number of the part required.

**TEXT** - The information contained in the text is of standard engineering specifications. If there is a variance in these vehicles it will be indicated on the Group Index Page.

**COMPONENTS** - These Breakdown lists of minor assemblies, on green paper, follow the text in the same order as listed on the Group Index.

**TRAINING INFORMATION** contained in this Parts Book is available to all Mack Branches and Distributors so that wherever this vehicle is located you will enjoy the same reliable service obtained at your local Agency.

PARTS BOOK #4248A  
CITY OF NEW YORK  
CHASSIS #E-715FSTP 1000

**QUICK REFERENCE INDEX:** Bend book backward to locate black tabs appearing in the title page of each group section. These tabs are in the same relative position as this group index.

Specification Dept.  
Parts Supply

Mack Trucks, Inc.  
Somerville, N.J., U.S.A.

DATE - December 1965

ENGINE 1

FUEL 2

EXHAUST 3

COOLING 4

ELECTRICAL 5

GAUGE TUBING 6

CLUTCH 7

TRANSMISSION 8

PROPELLER SHAFT 9

CONNECTIONS 10

REAR AXLE 11

FRONT AXLE 12

SPRINGS 13

FRAME 14

STEERING 15

MISC. 16

17

18

19



## MACKS DESERVE MACK PARTS

Mack parts, like *MACK TRUCKS, BUSES AND FIRE APPARATUS*, are the result of over half a century's experience.

All parts are made of the best suited materials. Mack service parts are identical with those used in building the vehicle. All parts which require case hardening and heat treatment, such as gears, shafts, wrist pins, etc., are particularly important. The right steel for the purpose, the proper heat treatment, and the "know-how", produce quality that cannot be attained in imitation parts.

Accurate workmanship and manufacturing equipment of the latest and most efficient type insure interchangeability and proper fit.

If our parts could be manufactured at lower cost, and sold at lower prices, without the sacrifice of superior Mack quality, it would be done.

Substitute parts mean short life and higher costs in the long run. Questionable quality may mean ruining an engine, transmission or other assembly.

Our purpose is not to sell you a large volume of parts, but to minimize the replacement of parts by quality construction, and to promote operating economy and reliability. These aims can only be realized by the producer of the vehicle.

Mack parts, like *MACK VEHICLES*, are guaranteed. They are sold only by factory branches and authorized dealers, and the use of other replacement parts voids the guarantee.

We are continually revising prices so as to give our customers the benefit of lower costs and improved manufacturing methods as quickly as possible. Do not depend on prices in old price books. Consult our nearest service station or dealer for current prices.

**USE GENUINE MACK PARTS -- DON'T MIX BREEDS!**



### IMPORTANT INSTRUCTIONS

- FIRST** - Always give Chassis and Engine Serial Numbers.
  
- SECOND** - Always order parts from Mack Branches or from authorized Mack Distributors. By doing so you will be assured of prompt service and guaranteed quality.
  
- THIRD** - Give full instructions for shipment. State whether Air, Express, Truck, Parcel Post, Freight, etc.
  
- FOURTH** - Do not specify quantity by "sets". Indicate specifically how many parts are wanted.
  
- FIFTH** - If part on illustration does not coincide with part on your Chassis, describe fully.

Prices on parts listed herein may be obtained from any Mack Branch or Distributor.

# Mack PARTS BOOK

## INDEX

PLEASE USE THIS BOOK IN CONJUNCTION WITH YOUR CHASSIS RECORD OR VEHICLE RECORD CARD. ANY PART NUMBER DIFFERENCES BETWEEN THE BOOK AND THE RECORD, THE CHASSIS RECORD WILL TAKE PRIORITY. FOR SERVICE ON GROUPS NOT SHOWN IN THIS BOOK, KINDLY CONTACT YOUR NEAREST MACK BRANCH OR MACK DISTRIBUTOR.

THE FOLLOWING ARRANGEMENT AND ASSEMBLY NUMBERS APPLY TO YOUR VEHICLE:

ILLUSTRATION	PART NUMBER	DESCRIPTION	GROUP	SECTION	PAGE
<u>GROUP #1 - ENGINE</u>					
---	11GB 12055AP8	ENGINE (END 864)	1	460N	1-460-3
485-72-102	485GB 5189	OIL FILTER MOUNTING ARRGT	1A	50D	1A-50-1
---	485GB 3170	OIL FILTER MOUNTING ARRGT	1A	71A	1A-71-1
1-139-187	1MD 4452	AIR CLEANER MOUNTING ARRGT	1B	208A	1B-208-1
---	1MD 4340	AIR INTAKE PIPING ARRGT	1B	169A	1B-169-1
---	1MD 5269	AIR INTAKE PANEL MOUNTING ARRGT	1B	170A	1B-170-1
795-72-15	795GB 563	CRANKCASE OIL FILL & OIL LEVEL INDICATOR ARRGT	1C	16C	1C-16-1
<del>1-1310-51</del>	1MJ 5315P1	ALTERNATOR MOUNTING ARRGT	1D	110A	1D-110-1
22-1-12-1	22QL 16	ENGINE FRAME SUPPORT ARRGT	1F	3U	1F-3-7
15-1712-68	15QL 460	ENGINE MOUNTING ARRGT	1G	52A	1G-52-1
15-1712-70	15QL 463	ENGINE & TRANSMISSION MOUNTING ARRGT	1G	65A	1G-65-1
45-1712-20	45QL 278P1	FRONT ENGINE MOUNTING ARRGT	1H	<del>25A</del> 16B	1H- <del>25</del> -1 16
---	62MT 32	TACHOMETER ADAPTOR MOUNTING ARRGT	1J	4A	1J-4-1
238-73-12	238GC 453	ENGINE BREATHER TUBE ARRGT	1K	25A	1K-25-1
<del>17-1320-16</del>	17MT 429P1	TACHOMETER CABLE ARRGT	1M	32A	1M-32-1
---	8MJ 254P1	DIESEL ENGINE STARTING MOTOR MOUNTING ARRGT	1P	75A	1P-75-1
1-138-2	1MH 214P3	FAN MOUNTING ARRGT	1R	1K	1R-1-1
15-1320-5	15MT 35P4	OIL PRESSURE LINE MOUNTING ARRGT	1T	7D	1T-7-1
15-1320-11	15MT 315	TRANSMISSION OIL FILTER TUBE ARRGT	1T	12A	1T-12-1
101-172-14	101QB 52	HYDRAULIC CONTROL VALVE & PIPING MOUNTING ARRGT	1U	6A	1U-6-1
303-72-57	303GB 564	AIR COMPRESSOR & PIPING MOUNTING ARRGT	1W	3A	1W-3-1
<u>GROUP #2 - FUEL</u>					
1-132-183	1MB 1150	FUEL TANK MOUNTING ARRGT	2	248AA	2-248-6
1-132-216	1MB 5305	FUEL TANK MOUNTING ARRGT	2	265A	2-265-1
3-132-240	3MB 4333AP2	FUEL LINE ARRGT	2A	158B	2A-158-1
3-132-234	3MB 522	FUEL PIPING ARRGT	2A	193A	2A-193-1
<u>GROUP #3 - EXHAUST</u>					
1-135-350	1ME 4708	MUFFLER MOUNTING ARRGT	3	309A	3-309-1
1-135-315	1ME 5624	EXHAUST ARRGT	3	316A	3-316-1



# Mack PARTS BOOK

INDEX (Cont)

ILLUSTRATION	PART NUMBER	DESCRIPTION	GROUP	SECTION	PAGE
<u>GROUP #4 - COOLING</u>					
1-136-186	LMF 5363	COOLER MOUNTING ARRGT	4	85A	4-85-1
1-136-160	LMF 1223	RADIATOR MOUNTING ARRGT	4	96E	4-96-2
---	34RU 439AP2	SHIELD MOUNTING ARRGT			
		RADIATOR AIR RECIRCULATOR	4	116C	4-116-1
1-136-189	LMF 5370	ENGINE COOLANT PIPING ARRGT	4	127A	4-127-1
21-136-16	21MF 47P2	RADIATOR TIE ROD ARRGT	4A	27B	4A-27-1
3-137-55	3MG 359	SHUTTER CONTROL ARRGT	4C	6H	4C-6-2
31-136-1	31MF 47P1	MODEL & NAME PLATE MOUNTING ARRGT	4H	4A	4H-4-1
---	76MF 410	COOLANT TANK ARRGT	4J	3A	4J-3-1
<u>GROUP #5 - ELECTRICAL</u>					
1-1311-65	1MK 5220	BATTERY MOUNTING ARRGT	5	107A	5-107-1
46-1311-3	46MK 346	BATTERY CABLE ARRGT	5A	62A	5A-62-1
2-1315-15	2MO 375	HEADLAMP MOUNTING ARRGT	5B	16A	5B-16-1
17-1315-11	17MO 49P2	DIRECTIONAL SIGNAL, STOP & TAIL LAMP MOUNTING ARRGT	5C	26B	5C-26-1
17-1315-12	17MO 51	STOP & TAIL LAMP MOUNTING ARRGT	5C	28A	5C-28-1
1-1318-67	1MR 4133P1	ELECTRICAL EQUIPMENT ARRGT ON ENGINE TUNNEL	5E	58A	5E-58-1
---	1MR 3182	TILT-RAY SWITCH MOUNTING ARRGT	5E	64A	5E-64-1
---	1MR 1277	STARTER INTERLOCK SWITCH MOUNTING ARRGT	5E	75A	5E-75-1
---	1MR 4159	SHUNT & JUNCTION BLOCK COVER MOUNTING ARRGT	5E	76A	5E-76-1
---	1MR 552	AIR HORN & SIREN SWITCH MOUNTING ARRGT	5E	77A	5E-77-1
---	1MR 553	AIR HORN & SIREN SWITCH MOUNTING ARRGT	5E	78A	5E-78-1
1-1318-77	1MR 551	ELECTRICAL EQUIPMENT ARRGT (TOP OF TUNNEL)	5E	82A	5E-82-1
7-1318-2	7MR 218	LOW AIR PRESSURE BUZZER MOUNTING ARRGT	5F	2J	5F-2-1
---	38MO 235P1	CLEARANCE LAMP MOUNTING ARRGT	5J	9A	5J-9-1
38-1315-9	38MO 480P1	MARKER LAMP & VENT AIR SCOOP ARRGT	5J	10A	5J-10-1
38-1315-11	38MO 483	LAMP & REFLECTOR MOUNTING ARRGT	5J	15A	5J-15-1
25-1315-7	25MO 319	FLOOD LAMP MOUNTING ARRGT	5J	16A	5J-16-1
25-1315-5	25MO 418	SPOTLIGHT MOUNTING ARRGT	5J	17A	5J-17-1
25-1315-6	25MO 318	WARNING LAMP ARRGT	5J	18A	5J-18-1
30-1318-36	30MR 357P5	REAR CHASSIS HARNESS & CLAMP ARRGT	5K	62E	5K-62-1
30-1318-38	30MR 491P1	CAB HARNESS & CLAMP ARRGT	5K	64A	5K-64-1
---	30MR 274	HARNESS & CLAMP ARRGT (Chassis Front End)	5K	97A	5K-97-1



# Mack PARTS BOOK

INDEX (Cont)

ILLUSTRATION	PART NUMBER	DESCRIPTION	GROUP	SECTION	PAGE
<u>GROUP #5 - ELECTRICAL (Cont)</u>					
30-1318-67	30MR 527	CABLE INSTALLATION ARRGT	5K	107A	5K-107-1
---	38MR 397	AIR HORN MOUNTING ARRGT	5L	43A	5L-43-1
---	38MR 457P2	ELECTRIC HORN MOUNTING ARRGT	5L	47B	5L-47-1
47-1315-14	47MO 345P3	FRONT DIRECTIONAL SIGNAL MOUNTING ARRGT	5M	23C	5M-23-1
1-1318-71	1MR 4142P1	DIRECTIONAL SIGNAL SWITCH MOUNTING ARRGT	5M	25A	5M-25-1
---	33MR 347	CHARGING RECEPTACLE MOUNTING ARRGT	5P	5A	5P-5-1
---	33MR 417	RECEPTACLE MOUNTING ARRGT	5P	24A	5P-24-1
---	22MO 227	DOME LAMP MOUNTING ARRGT	5T	5A	5T-5-1
---	71MR 327	HEADLAMP JUNCTION BLOCK MOUNTING ARRGT (RH)	5Y	21A	5Y-21-1
---	28MO 37	LAMP MOUNTING ARRGT	5V	4A	5V-4-1
71-1318-7	71MR 328	HEADLAMP, JUNCTION BLOCK MOUNTING & CABLE ROUTING ARRGT	5Y	22A	5Y-22-1
---	26MR 162P1	HORN BUTTON ASSY	5AA	10A	5AA-10-1
<u>GROUP #8 - TRANSMISSION</u>					
11-112-577 thru 591	11KB 1466	TRANSMISSION ASSY	8	239B	8-239-8
<del>1-1320-9</del>	1MT 144	SPEEDOMETER CABLE ARRGT	8B	21M	8B-21-1
<u>GROUP #9 - PROPELLER SHAFT</u>					
1-1321-272	1MU 32345	PROPELLER SHAFT ARRGT	9	773A	9-773-1
8-1321-7	8MU 3149P7	PROPELLER SHAFT	9D	4A	9D-4-1
8-1321-7	9MU 343AP9	PROPELLER SHAFT	9D	8B	9D-8-5
<u>GROUP #10 - CONTROLS</u>					
2-172-115	2QB 3139P2	ENGINE STOP ARRGT	10D	99B	10D-99-1
<del>2-172-119</del>	2QB 4170P1	ACCELERATOR ARRGT	10D	105A	10D-105-1
75-175-1	75QE 232	THROTTLE CONTROL MOUNTING ARRGT	10D	136A	10D-136-1
1-173-121	1QC 5419P2	POWER STEERING ARRGT	10F	103AP	10F-103-18
---	38QC 345	PRIMING PUMP LUB OIL MOUNTING ARRGT	10H	17A	10H-17-1
---	3RG 210P2	PTO & HYDRAULIC PUMP MOUNTING ARRGT	10H	19B	10H-19-1
38-173-56	38QC 53	VACUUM PUMP & PIPING MOUNTING ARRGT	10H	21A	10H-21-1
---	39QC 391	LUBRICATING OIL TANK MOUNTING ARRGT	10J	16A	10J-16-1
39-173-52	39QC 466	TRANSMISSION PIPING ARRGT	10J	17A	10J-17-1
39-173-55	39QC 470	WATER & AIR TANK MOUNTING ARRGT	10J	19A	10J-19-1

98AX1417



# Mack PARTS BOOK

## INDEX (Cont)

ILLUSTRATION	PART NUMBER	DESCRIPTION	GROUP	SECTION	PAGE
<u>GROUP #10 - CONTROLS (Cont)</u>					
39-173-54	39QC 472	HYDRAULIC TANK MOUNTING ARRGT	10J	20A	10J-20-1
3-175-325	3QE 4219P6	COMPRESSOR DISCHARGE LINE			
---	3QE 4220P3	ARRGT	10K	256F	10K-256-3
		GOVERNOR MOUNTING ARRGT, AIR			
		BRAKE SYSTEM	10K	262C	10K-262-2
3-175-321	3QE 3133P1	AIR BRAKE ARRGT FRONT WHEEL			
		LIMITING VALVE	10K	292A	10K-292-1
---	3QE 4222P33	TUBING & CLAMP REQUIREMENTS	10K	293AJ	10K-293-5
3-175-342	3QE 4228P1	AUXILIARY AIR BRAKE ARRGT	10K	299A	10K-299-1
3-175-456	3QE 5677	BASIC AIR BRAKE ARRGT	10K	398A	10K-398-1
3-175-454	3QE 5697	BASIC AIR BRAKE ARRGT	10K	402A	10K-402-1
30-175-128	30QE 3171P2	HAND CONTROL VALVE ARRGT	10M	99D	10M-99-1
30-175-137	30QE 252	TRACTOR PROTECTION KIT (SEMI)	10M	128A	10M-128-1
22-175-47	22QE 3274	AIR RESERVOIR MOUNTING ARRGT	10Q	141A	10Q-141-1
---	20QE 374	AIR CHECK UNIT MOUNTING ARRGT	10T	6A	10T-6-1
<u>GROUP #11 - REAR AXLE</u>					
11-118-111	11KH 5120AP1	AXLE CARRIER ASSY	11	838B	11-83-15
11-118-112	11KH 5121AP1	AXLE CARRIER ASSY	11	848B	11-84-3
1-176-134	1QF 5538P2	FORWARD & REAR REAR AXLE			
	5539P2	ARRGT	11A	156B	11A-156-2
1-176-90	1QF 4120P1	FORWARD REAR & REAR REAR			
	4121P1	AXLE ARRGT (DEAD)	11A	170A	11A-170-1
9-1710-9	9QJ 1107	REAR WHEEL & DRUM ASSY	11E	39P	11E-39-2
9-1710-13	9QJ 1104	REAR WHEEL & DRUM ASSY	11E	57Q	11E-57-2
<u>GROUP #12 - FRONT AXLE</u>					
1-178-71	1QH 4143CP16	FRONT AXLE ARRGT	12	85K	12-85-5
1B-178-2					
---	3QJ 157	FRONT WHEEL & DRUM ASSY	12D	48B 33A	12D-4 3
<u>GROUP #13 - SPRINGS</u>					
3-1711-94	1QK 256P11	FRONT SPRING ARRGT	13	75L	13-75-4
6-1711-98	3QK 575	SEMI-TRAILER BOGIE SUSPENSION			
		ARRGT	13B	39A	13B-39-1
3-1711-97	3QK 578P1	REAR SUSPENSION ARRGT	13B	40A	13B-40-1
<u>GROUP #14 - FRAME</u>					
3-1712-457	1QL 51460	FRAME ASSY	14	741A	14-741-1
3-1712-462	1QL 45755	FRAME ASSY	14	767A	14-767-1
---	24QL 4139	BUMPER MOUNTING ARRGT	14A	45A	14A-45-1
60-1712-6	60QL 411P2	TORQMATIC TRANSMISSION			
		MOUNTING ARRGT	14A	49B	14A-49-1
---	9QL 2906AP4	FRONT SPRING REAR BRACKET			
		CROSSMEMBER MOUNTING ARRGT	14K	1K	14K-1-2





# Mack PARTS BOOK

INDEX (Cont)

ILLUSTRATION	PART NUMBER	DESCRIPTION	GROUP	SECTION	PAGE
<u>GROUP #15 - CAB &amp; SHEET METAL</u>					
---	12QM 555 556	REAR FENDER ARRGT	15A	96A	15A-96-1
12-1713-80	12QM 557	RUNNING BOARD MOUNTING ARRGT	15A	98A	15A-98-1
---	29QM 440	STEP MOUNTING ARRGT	15D	12A	15D-12-1
36-1718-119	36QR 4381P1	INSTRUMENT PANEL ASSY	15F	107A	15F-107-1
36-1718-120	36QR 4382P3	INSTRUMENT PANEL ASSY	15F	108C	15F-108-1
36-1718-121	36QR 3257P2	INSTRUMENT PANEL ASSY	15F	112B	15F-112-1
4-1719-37	4QS 362	PARTIAL CAB MOUNTING ARRGT	15J	34A	15J-34-1
4-1719-39	4QS 541	CAB MOUNTING ARRGT (Partial)	15J	35A	15J-35-1
4-1719-32,40	4QS 545P1	CAB MOUNTING ARRGT	15J	36M	15J-36-4
33-1713-3	33QM 538P2	SPLASH APRON MOUNTING ARRGT	15K	6B	15K-6-2
---	117QM 414	SPLASH SHIELD MOUNTING ARRGT	15K	9A	15K-9-1
---	72QS 1167	WESTERN STYLE MIRROR MOUNTING ARRGT	15L	38H	15L-38-1
106-1719-28	106QS 529P2	SEAT MOUNTING ARRGT	15M	36A	15M-36-1
---	147QS 412	SUN VISOR MOUNTING ARRGT	15N	6A	15N-6-1
---	147QS 413	SUN VISOR MOUNTING ARRGT	15N	6B	15N-6-1
32-1720-35	32QT 514	WINDSHIELD WIPER ARRGT	15P	42A	15P-42-1
32-1720-31	1QT 461P1	WINDSHIELD MOUNTING ARRGT	15P	44A	15P-44-1
1-18--30	1RD 5243P1	HEATER MOUNTING ARRGT	15R	31E	15R-31-3
116-1719-9	116QS 434	CAB ROOF TRIM PANEL MOUNTING ARRGT	15V	9A	15V-9-1
4-18--7	4RD 55P2	CAB HEATER PIPING ARRGT	15X	7B	15X-7-1
---	4RD 2209	CRANKCASE ROOF VENT ARRGT	15X	16A	15X-16-1
27-1821-4	27RU 411P1	ORNAMENT & EXTERIOR TRIM MOUNTING ARRGT	15Y	5A	15Y-5-1
8-1320-55	8MT 3149P1	GAUGE PANEL ASSY	15AC	78A	15AC-78-1
8-1320-75	8MT 4206	GAUGE ASSY & PIPING ARRGT	15AC	102A	15AC-102-1
8-1320-74	8MT 53	GAUGE & INSTRUMENT MOUNTING ARRGT	15AC	104A	15AC-104-1
---	8MT 54	INSTRUMENT GAUGE PANEL ASSY	15AC	106A	15AC-106-1
---	8MT 57	GAUGE PANEL PIPING ARRGT	15AC	107A	15AC-107-1
8-1320-80	8MT 4220	INSTRUMENT & GAUGE PANEL MOUNTING ARRGT	15AC	108A	15AC-108-1
1-1721-6	1QU 443	CAB ROOF VENT MOUNTING ARRGT	15AG	5A	15AG-5-1
9-1821-1	9RU 431BP1	ENGINE COMPARTMENT INSULATION MOUNTING ARRGT	15AJ	2H	15AJ-2-2
9-1821-2	9RU 443	MUFFLER INSULATION MOUNTING ARRGT	15AJ	3A	15AJ-3-1
1-1719-183 thru 185	1QS 5690	CAB-IN-WHITE (WELDED) (CA 38)	15AR	2A	15AR-2-1
1-1719-186	1QS 5694	CAB BASIC GROOMING ARRGT	15AR	5A	15AR-5-1
3-1719-2	3QS 1249	CAB INTERIOR GROOMING ARRGT	15AR	8W	15AR-8-5
3-1719-1	3QS 4125P10	PARTIAL CAB EXTERIOR GROOMING ARRGT	15AR	9S	15AR-9-7
---	31QS 177 178	CAB DOOR SERVICE ASSY	15AR	10A	15AR-10-1
5-1719-1	5QS 418	CAB LOWER PANEL MOUNTING ARRGT	15AR	12A	15AR-12-1
85-1713-9	85QM 448	CAB INTERMEDIATE STEP MOUNTING ARRGT	15AR	13A	15AR-13-1



# Mack PARTS BOOK

## INDEX (Cont)

ILLUSTRATION	PART NUMBER	DESCRIPTION	GROUP	SECTION	PAGE
<u>GROUP #15 - CAB &amp; SHEET METAL (Cont)</u>					
84-1719-5	84QS 38P1	CAB REAR WINDOW ARRGT	15AR	15A	15AR-15-1
45-1319-7	45MS 511	AUXILIARY CONTROL PANEL ARRGT	15AR	19A	15AR-19-1
<u>GROUP #16 - MISCELLANEOUS</u>					
2-1820-3	2RT 56	LUBRICATING OIL PIPING ARRGT	16E	3A	16E-3-1
2-1820-4	2RT 470	DeLAVAL PUMP LUB OIL PIPING ARRGT	16E	4A	16E-4-1
1-186-42	1RF 381P2	FIFTH WHEEL MOUNTING ARRGT	16F	76B	16F-76-1
---	34RC 312	SEAT SAFETY BELT MOUNTING ARRGT	16N	1B	16N-1-1
<u>GROUP #22</u>					
8-1320-86	8MT 4224	GAUGE ASSY & PIPING ARRGT	22	30A	22-30-1
<u>GROUP #24</u>					
---	165QS 515	SEMI-TRAILER BODY ROOF ARRGT	24	32A	24-32-1
1-1813-16	1RM 5231	SEMI-TRAILER PANEL SIDE MOUNTING ARRGT (PUMPER)	24	33A	24-33-1
---	1RM 5233	BODY FRONT END ARRGT (SEMI- TRAILER)	24	34A	24-34-1
47-182-1	47RB 35	SIGN MOUNTING ARRGT	24	37A	24-37-1
---	1RM 4450	SEMI-TRAILER BODY ARRGT	24	40A	24-40-1
<del>2-1813-16</del>	1RM 5235	BODY REAR END ARRGT	24	41A	24-41-1
---	25RU 54	BODY RUBBER MOULDING			
---	55	MOUNTING ARRGT	24	51A	24-51-1
<u>GROUP #25</u>					
---	49QU 47	AIR FILTER SHUTTER ARRGT	25	36A	25-36-1
	48				
21-1813-1	21RM 510	SIDE DOOR ARRGT (AT ENGINE)	25	37A	25-37-1
21-1813-5	21RM 513	TRUCK BODY COMPARTMENT DOOR ARRGT	25	40A	25-40-1
---	58RU 3134	COOLANT TANK SPOUT ACCESS DOOR MOUNTING ARRGT	25	41A	25-41-1
21-1813-2	21RM 511	VALVE STATION COMPARTMENT DOOR ARRGT	25	42A	25-42-1
	512				
79-182-2	79RB 59	COMPARTMENT MOUNTING ARRGT	25	63A	25-63-1
21-1813-4	21RM 473	TRACTOR COMPARTMENT DOOR MOUNTING ARRGT	25	65A	25-65-1
	474				
---	17RM 5201	TRUCK BODY COMPARTMENT MOUNTING ARRGT	25	82A	25-82-1
38-1320-1	38MT 52	RADIO MOUNTING ARRGT	25	83A	25-83-1
---	21RM 2427	FUEL GAUGE ACCESS DOOR MOUNTING ARRGT	25	93A	25-93-1



# Mack PARTS BOOK

## INDEX (Cont)

ILLUSTRATION	PART NUMBER	DESCRIPTION	GROUP	SECTION	PAGE
<u>GROUP #28</u>					
---	95RS 471	PUMP MOUNTING ARRGT	28	82A	28-82-1
<u>GROUP #29</u>					
---	117RS 548	PRIMING SYSTEM ARRGT	29	45A	29-45-1
117-1819-23	117RS 547	PRIMING SYSTEM ARRGT	29	46A	29-46-1
---	117RS 464	PUMP DRAIN PIPING ARRGT	29	48A	29-48-1
<del>117-1819-20</del>	117RS 463	PUMP CIRCULATING PIPING ARRGT	29	49A	29-49-1
117-1819-22	117RS 460	PUMP CIRCULATING PIPING ARRGT	29	50A	29-50-1
<del>117-1819-24</del>	117RS 465	PRIMING SYSTEM ARRGT	29	53A	29-53-1
117-1819-19	117RS 341	PRESSURE RELEASE PIPING ARRGT	29	55A	29-55-1
<u>GROUP #31</u>					
---	---	SPECIAL EQUIPMENT	31	25A	31-25-1
<u>GROUP #34</u>					
---	75RS 32	SIREN MOUNTING ARRGT	34	4A	34-4-1
<u>GROUP #35</u>					
---	1RS 46	SUCTION CAP MOUNTING ARRGT	35	27A	35-27-1
<u>GROUP #44</u>					
85-1713-12	85QM 459	LADDER END ARRGT (FRONT)	44	3A	44-3-1
85-1813-1	85QM 520	END LADDER & HANDRAIL ARRGT	44	4A	44-4-1
	521	(REAR)			
<u>GROUP #45</u>					
---	117QL 412	LANDING GEAR MOUNTING ARRGT	45	7A	45-7-1



# Mack PARTS BOOK

1

## INDEX

### GROUP #1 - ENGINE

The Following Variations Apply to this Group

KEY					
<u>ILLUSTRATION NO</u>	<u>PART NUMBER</u>	<u>DESCRIPTION</u>	<u>GROUP</u>	<u>SECTION</u>	<u>PAGE</u>
303-72-57	303GB 564	AIR COMPRESSOR & PIPING MOUNTING ARRGT	1W	3A	1W-3-1

Same as Standard Except for the Following:

AJ	36RU 1195	HOSE ASSY, Compressor Outlet Line			1
AK	Omit				

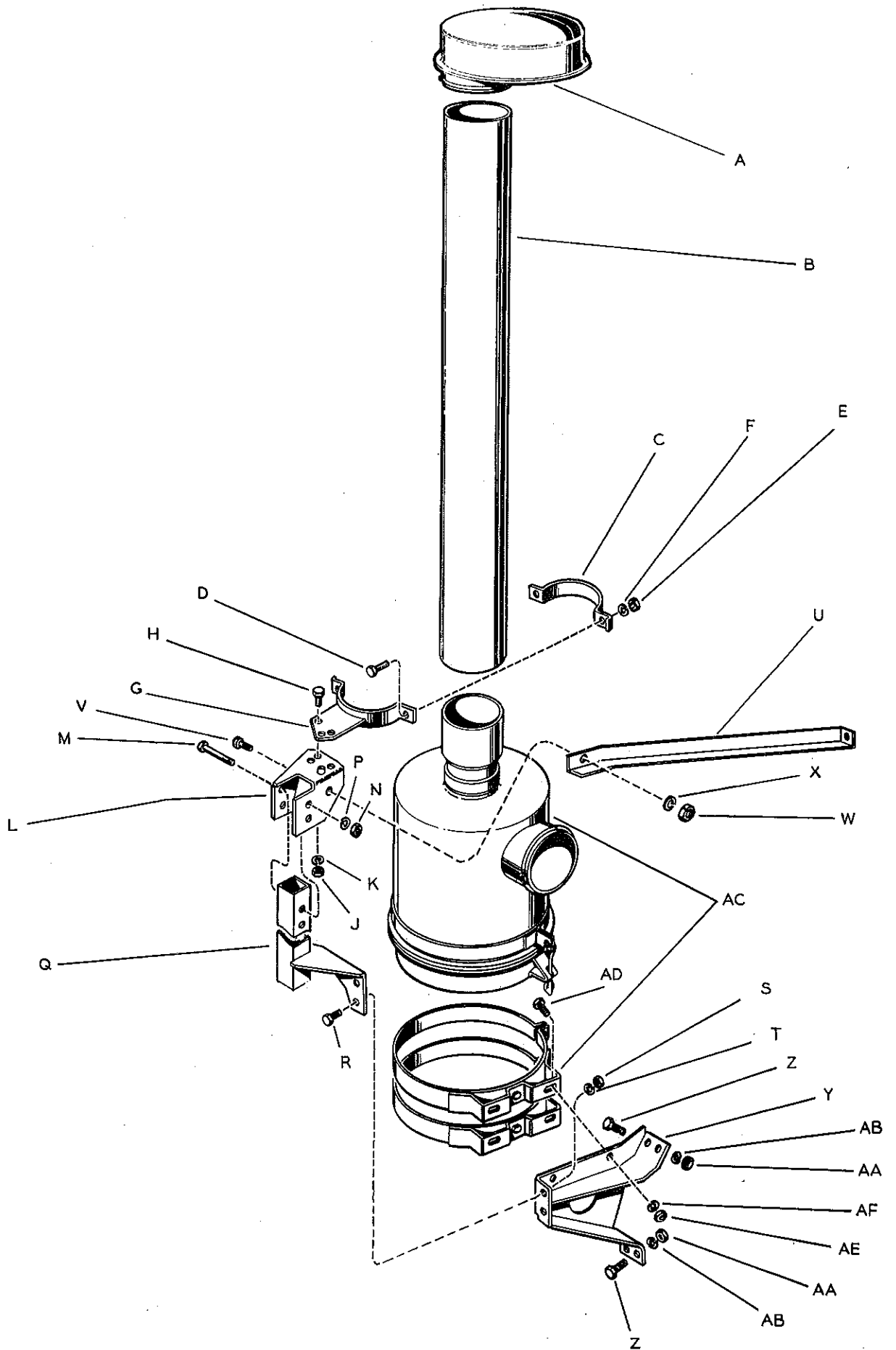
### SPECIAL EQUIPMENT

59QE 133	COUPLING, Hose, (Air Start)	1
59QE 129	COUPLING, Hose	1
1RC 155	SLING, Engine	1
12MJ 310	BRACKET, Voltage Regulator	1
34RU 456	GUARD, Breather	1
312GB 111	COOLER, Oil (For DeLaval Pump)	1

### COMPONENTS

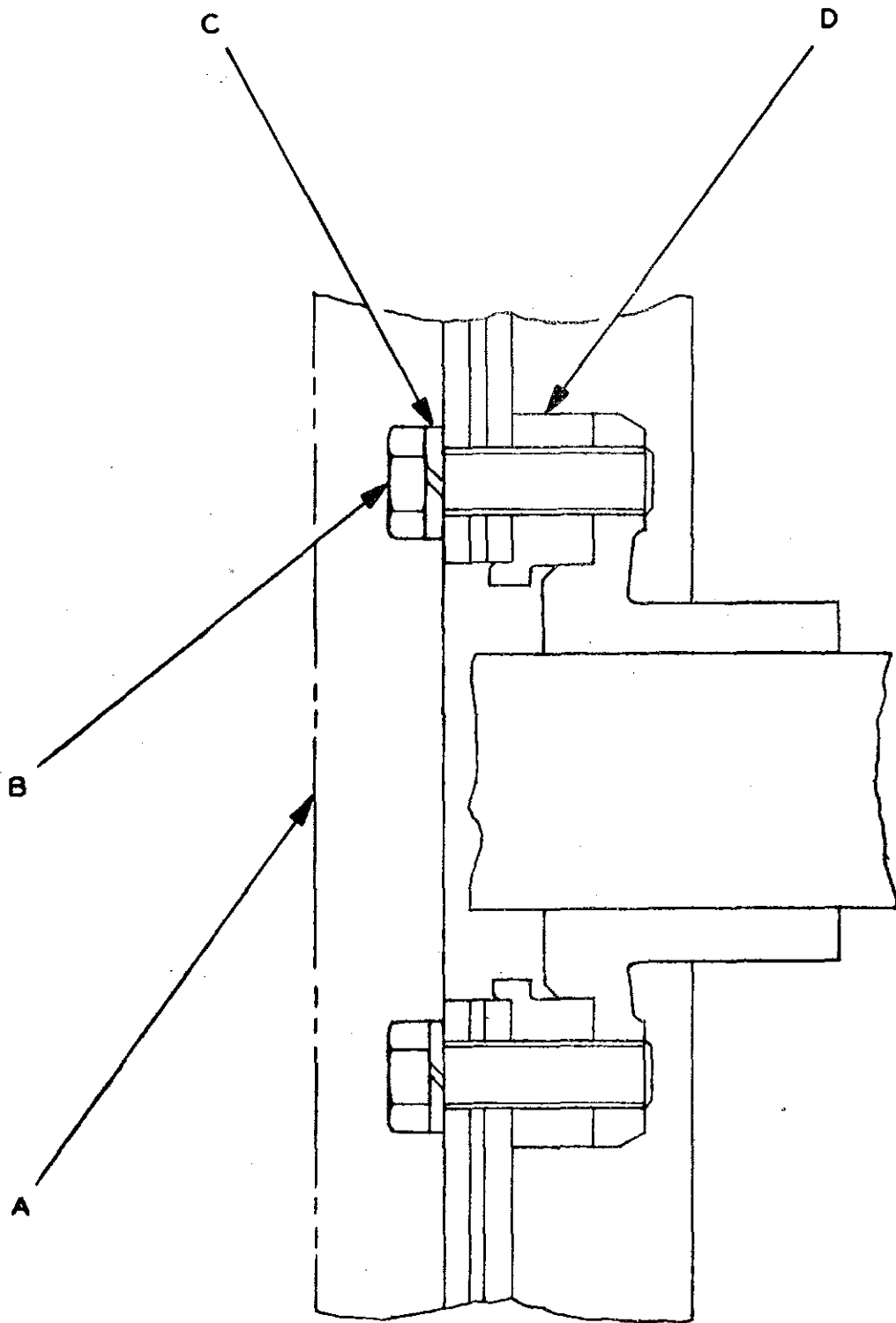
221GB 124	25MF 311
303GB 387	2MJ 280
303GB 4104P5	8MJ 4107
483GB 335P2	9MJ 255
485GB 4192B	101QB 129
485GB 4192D	38QC 414P3
736GB 227	30RS 1385
313GC 4151CP1	95RS 218
315GC 370	
2MD 395	



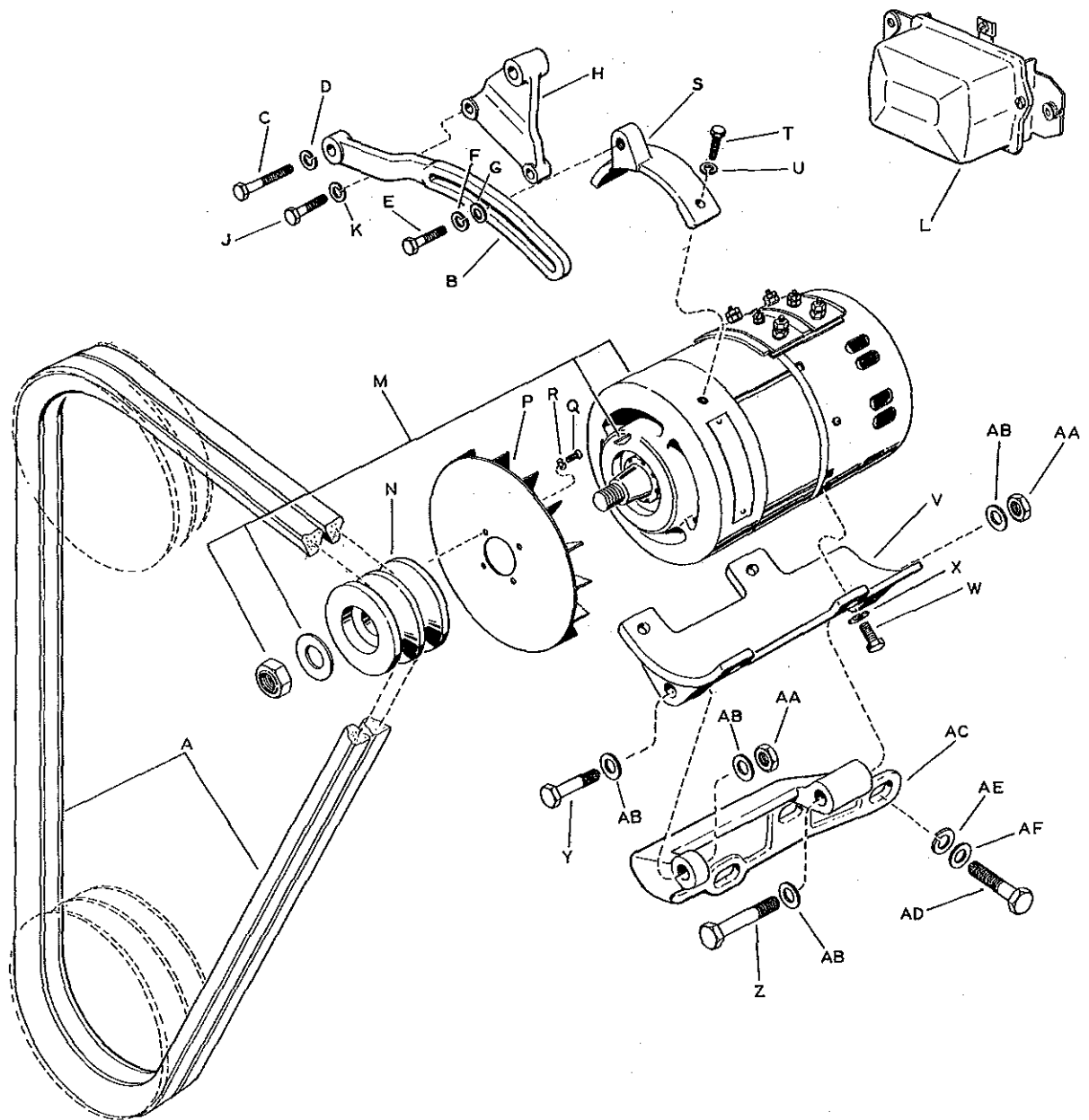


IK

AIR CLEANER MOUNTING ARRANGEMENT

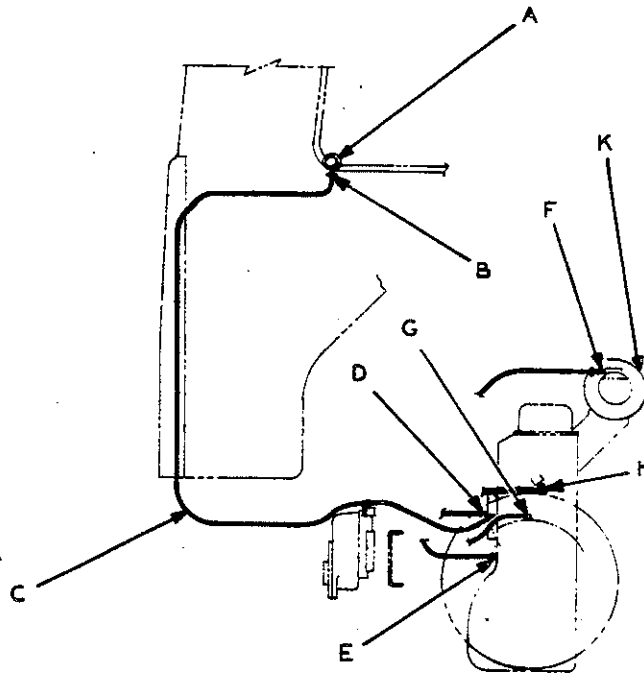
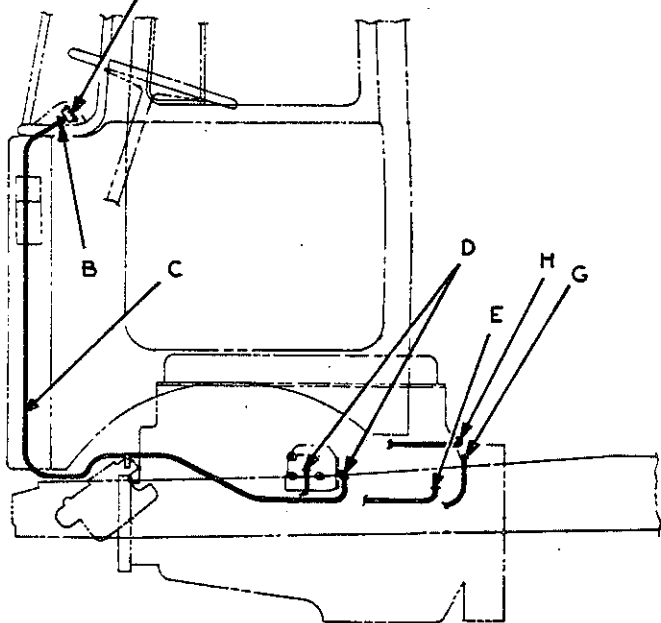
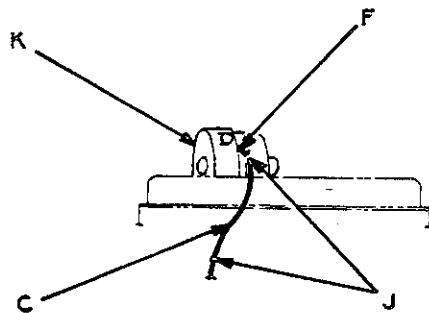
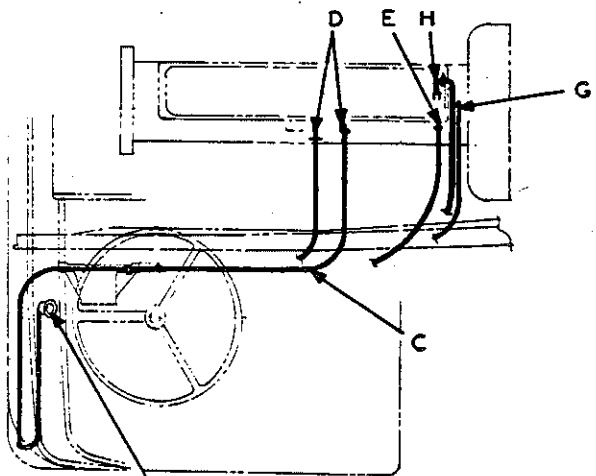


FAN MOUNTING ARRANGEMENT



ALTERNATOR MOUNTING ARRANGEMENT

I-1310-51

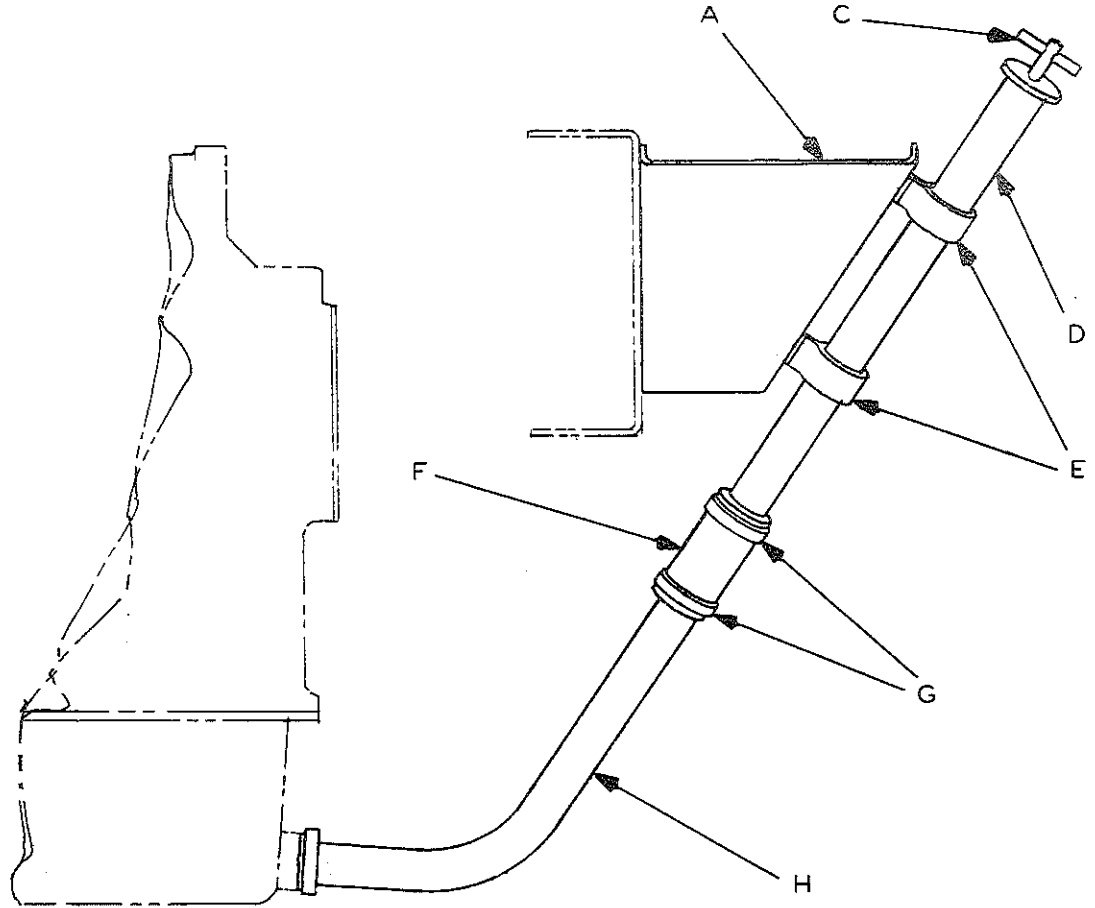
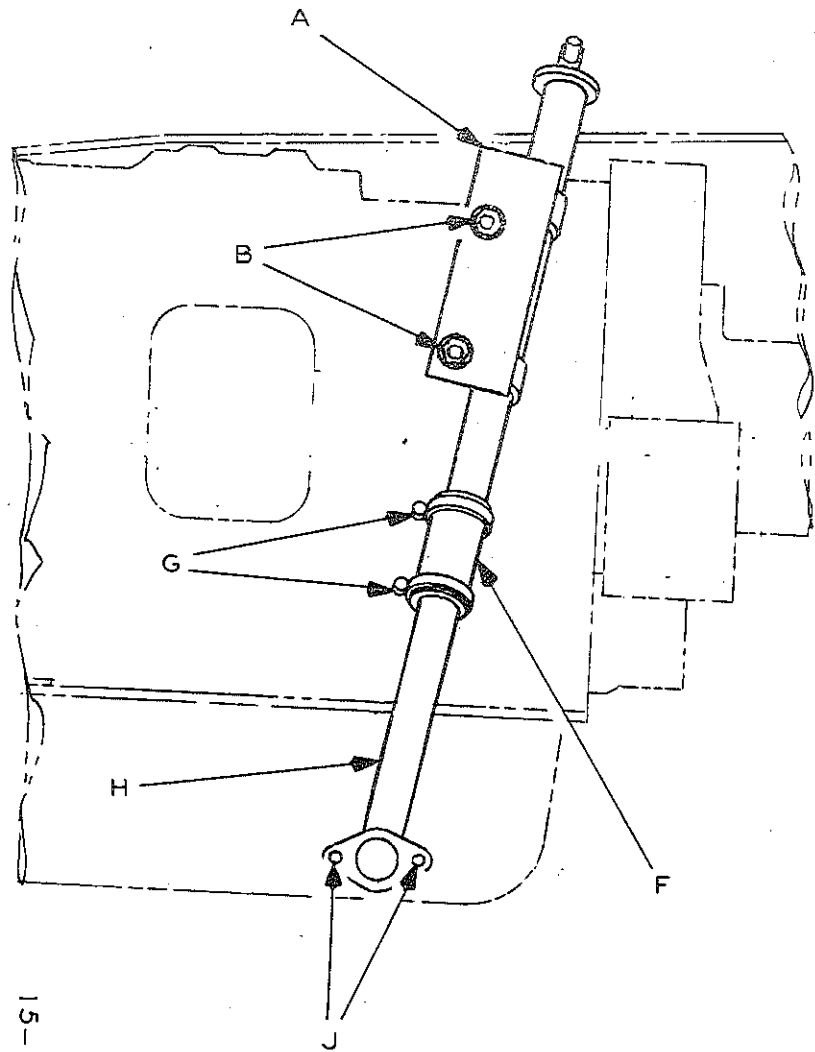


15-1320-5

OIL PRESSURE LINE MOUNTING ARRANGEMENT

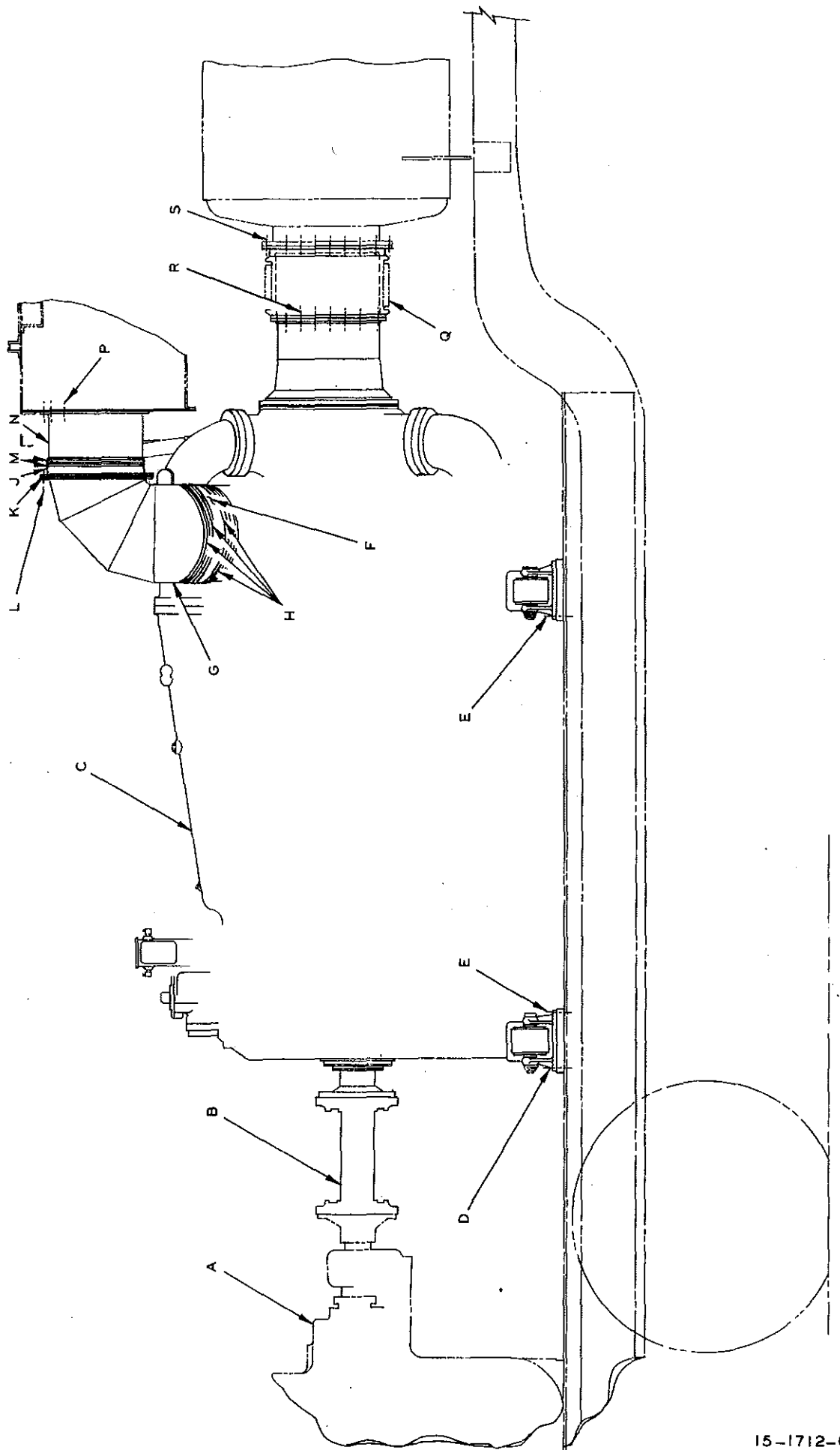


IK

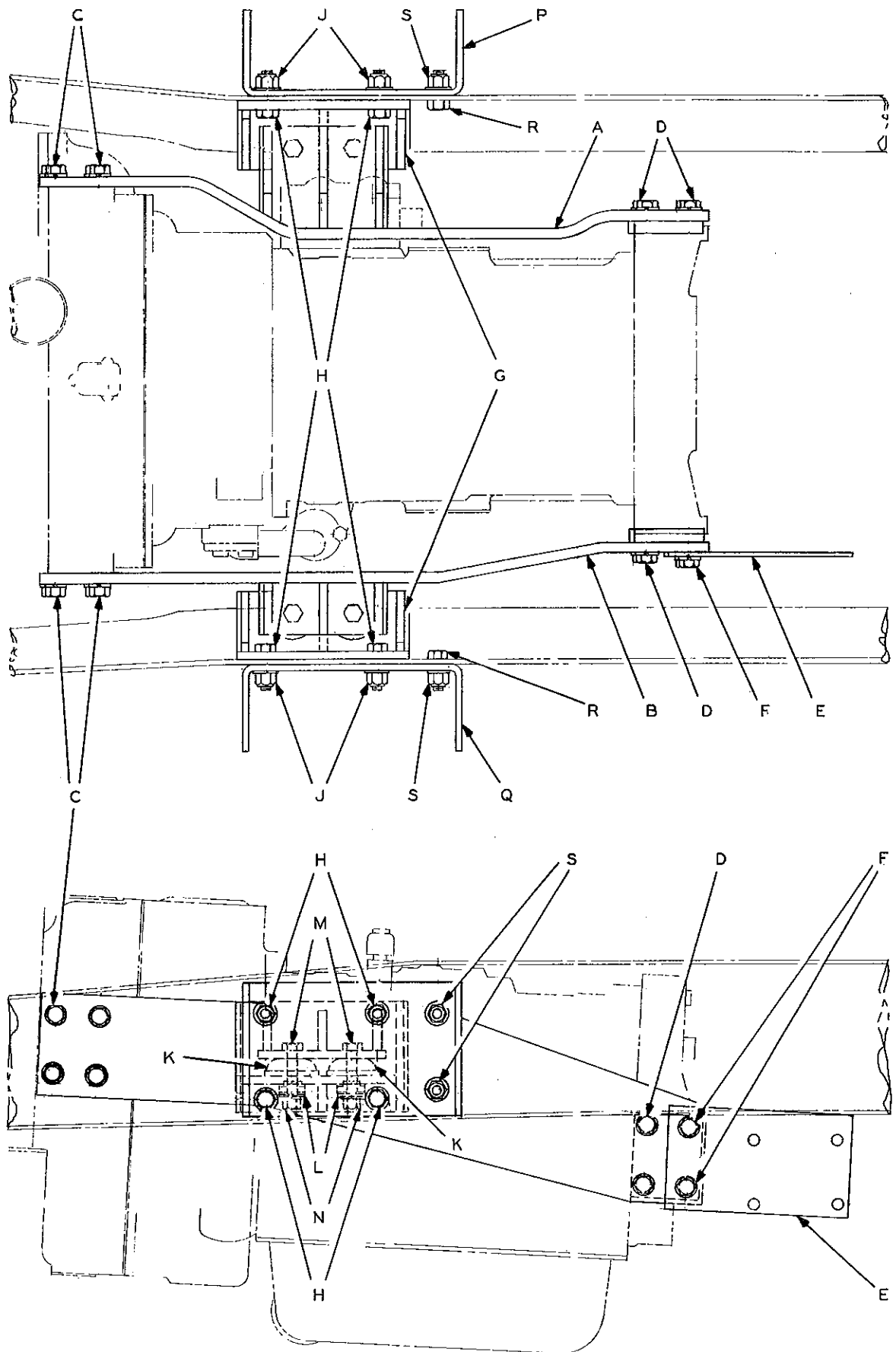


TRANSMISSION OIL FILLER TUBE ARRANGEMENT

15-1320-11

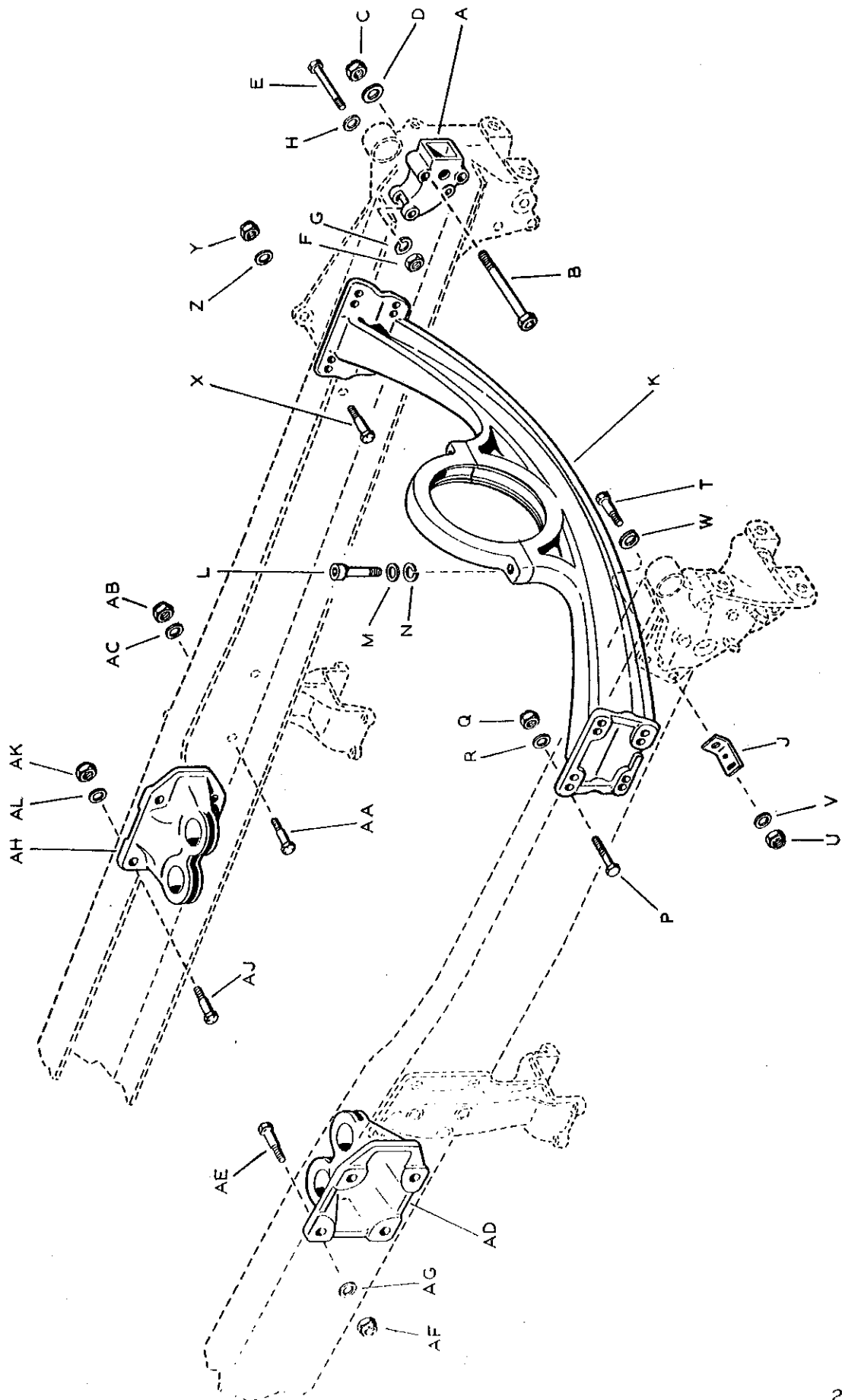


ENGINE MOUNTING ARRANGEMENT

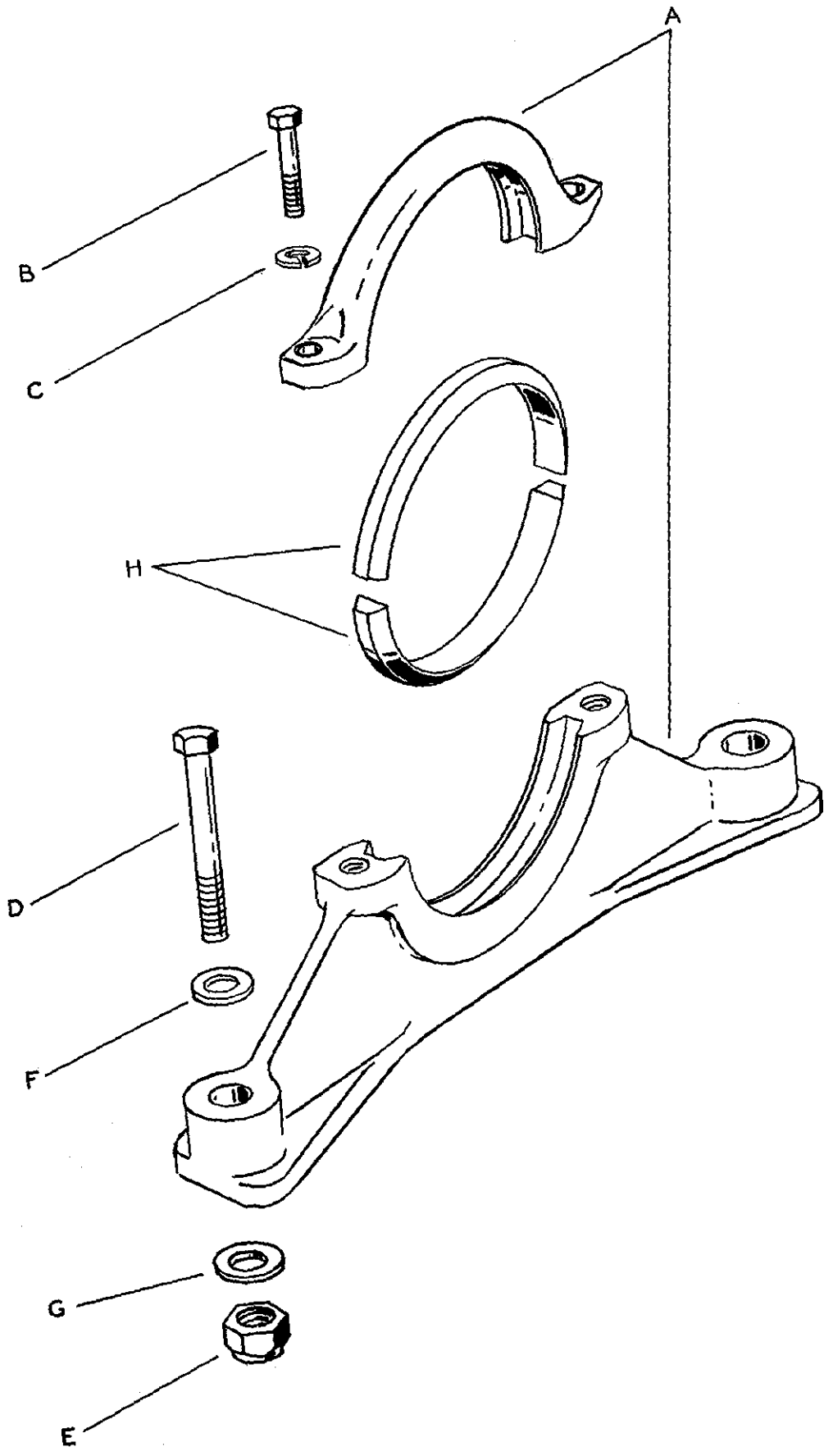


ENGINE AND TRANSMISSION MOUNTING ARRANGEMENT

15-1712-70

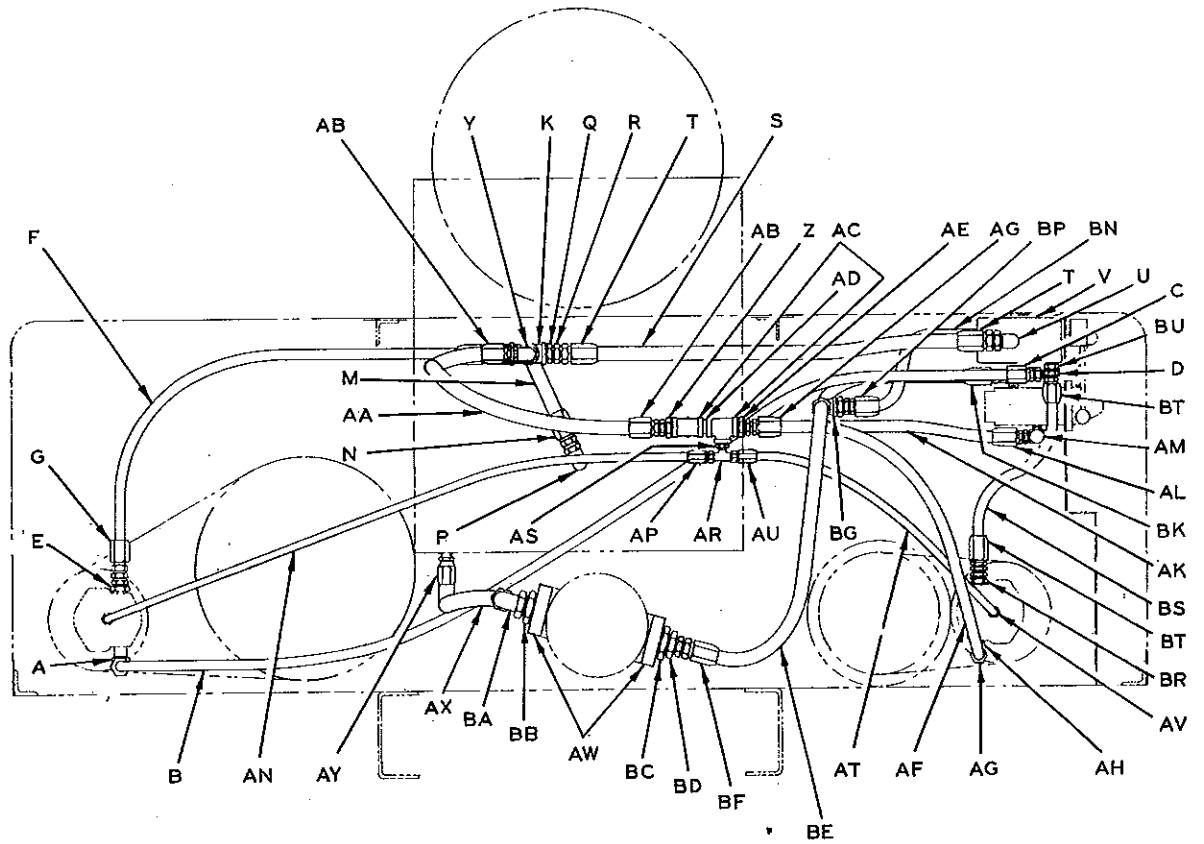
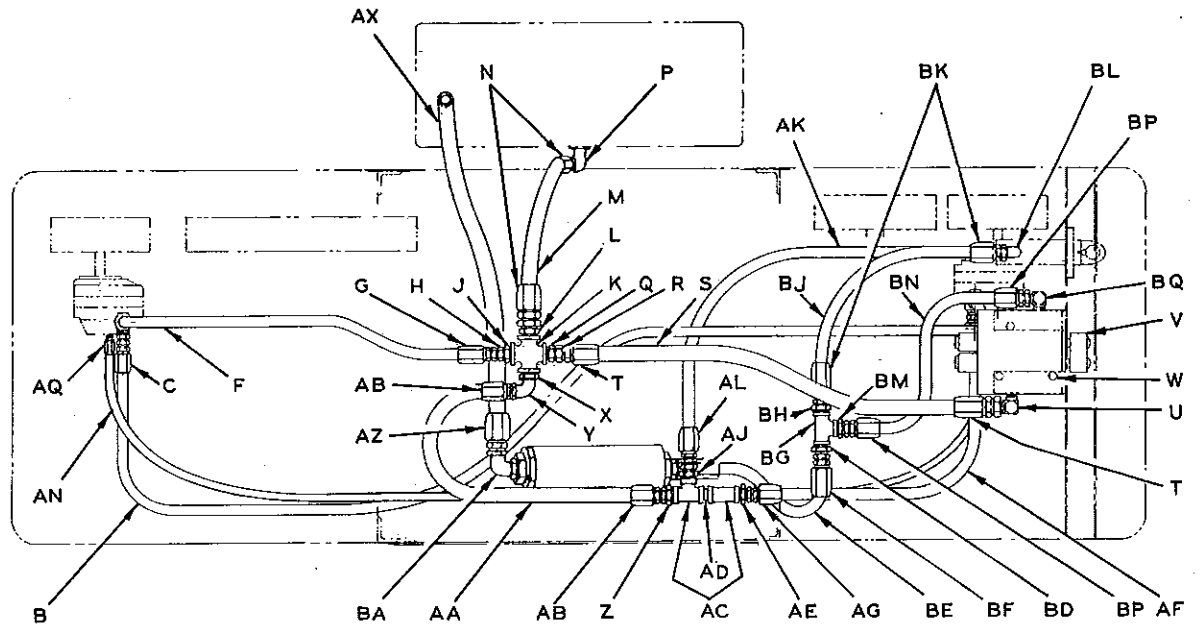


ENGINE FRAME SUPPORT ARRANGEMENT



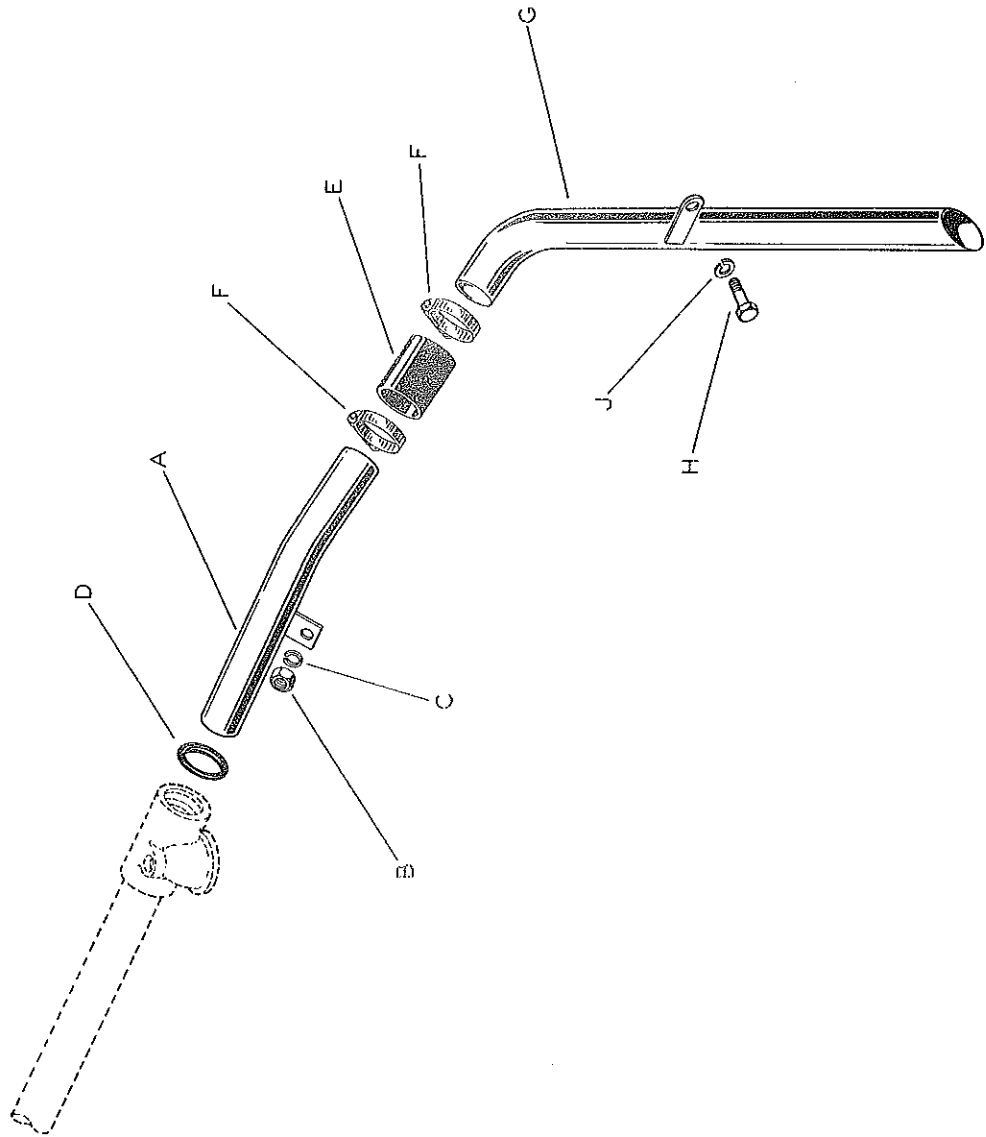
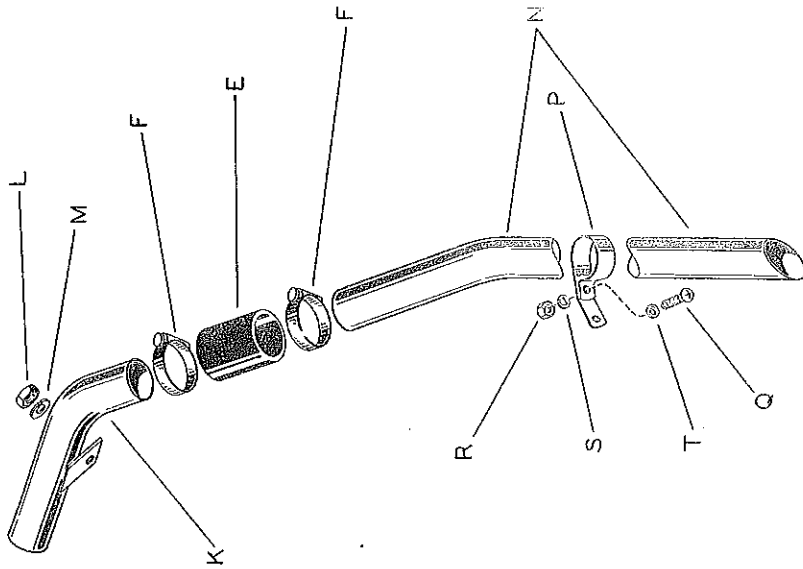
ENGINE FRONT MOUNTING

45-1712-20

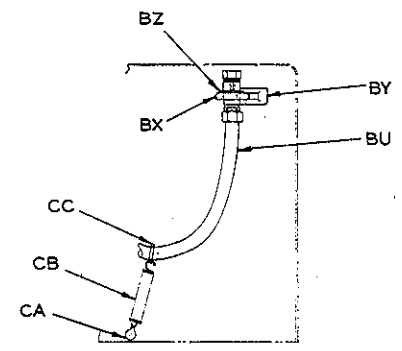
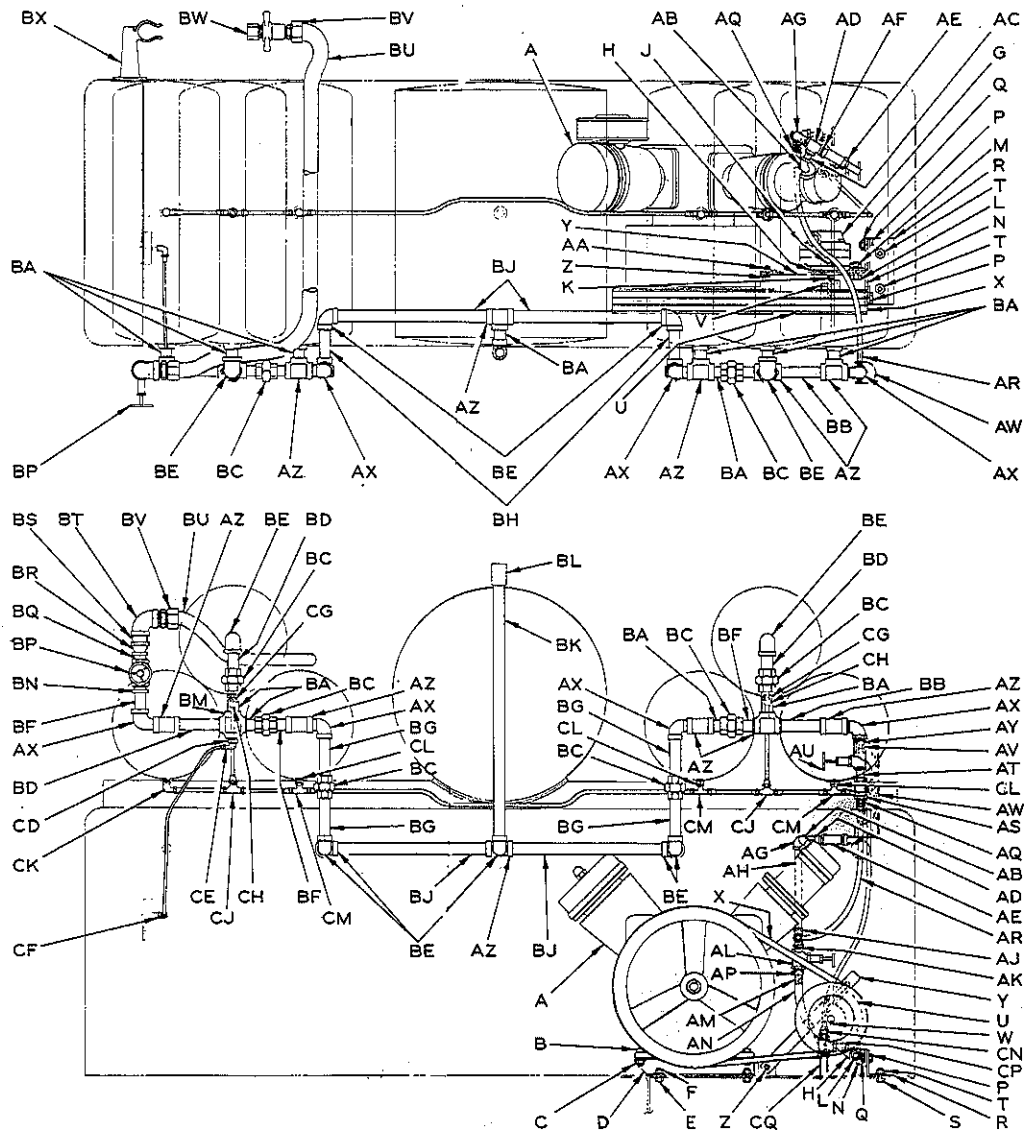


HYDRAULIC CONTROL VALVE AND PIPING MOUNTING ARRANGEMENT

101-172-14  
ISSUE-2



ENGINE BREATHER TUBE ARRANGEMENT

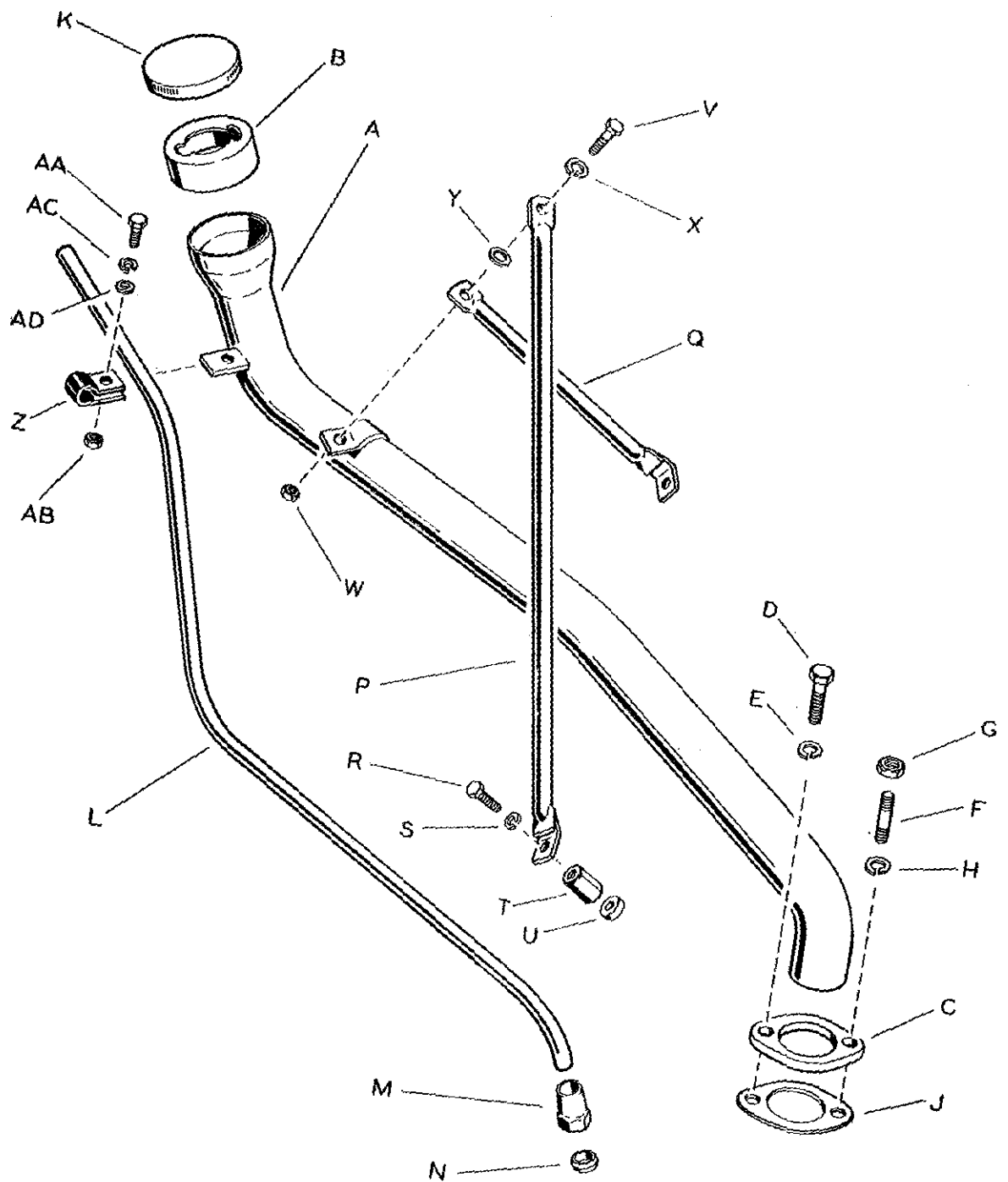


AIR COMPRESSOR AND PIPING MOUNTING ARRANGEMENT

303-72-57  
ISSUE-2







CRANKCASE OIL FILL AND OIL LEVEL INDICATOR ARRANGEMENT

795-72-15

ILLUSTRATIONS ARE CONTAINED IN THE ENGINE SECTION.

LINE	DESCRIPTION	TYPE	PAGE
<u>SECTION 460A - 11GBA 12055P1</u>			
For Engine Details See Master Engine Group #864.			
1	LOWER CRANKCASE & SUMP	1B	864-AB1-2
2	TIMING GEAR COVER	1	864-AC1-1
3	CAMSHAFT	1	864-AD1-1
4	FRONT SUPPORT (ENGINE)	See Group	1H
5	FLYWHEEL HOUSING	1	864-AF1-1
6	VALVE OPERATING MECHANISM	1	864-AG1-1
7	CRANKCASE OIL FILLER	1A	864-AH1-1
8	ENGINE PREHEATER	Not Used	
9	CYLINDER & UPPER CRANKCASE	1D	864-BA1-3
10	CYLINDER HEAD & VALVES	1A	864-BB1-2
11	ENGINE WATER OUTLET	1	864-BC1-1
12	VALVE MECHANISM COVERS	1A	864-BD1-2
13	CRANKSHAFT & MAIN BEARINGS	1	864-CA1-1
14	PISTONS, PINS, RINGS & CONNECTING RODS	1	864-CB1-1
15	VIBRATION DAMPER, HUB & FAN DRIVE	2	864-CD2-1
16	FLYWHEEL	1	864-CF1-1
17	WATER PUMP & DRIVE	1A	864-DA1-2
18	TACHOMETER DRIVE	1	864-EK1-1
19	OIL PUMP & OIL INLET-REAR SUMP	1A	864-FA1-2
20	OIL LEVEL INDICATOR	1B	864-FD1-1
21	OIL PRESSURE RELIEF VALVE	1	864-FF1-1
22	OIL FILTER (LUBE)	See Group	1A
23	OIL COOLER	1A	864-FI1-2
24	WATER FILTER	1	864-FJ1-1
25	INLET MANIFOLD	1B	864-GA1-2
26	CRANKCASE BREATHER	1	864-GE1-1
27	EXHAUST MANIFOLD	1A	864-GF1-1
28	OIL FILTER (FUEL)	1A	864-GK1-2
29	FUEL INJECTION EQUIPMENT	2	864-GM2-1
30	TURBOCHARGER	Not Used	
31	GOVERNOR	2	864-GM2-1
32	AIR COMPRESSOR	1	864-JA1-1
33	AUXILIARY DRIVE	1E	864-JC1-4
34	HYDRAULIC STEERING PUMP	Not Used	
35	GASKET SET	1	864-SB1-1

SECTION 460B - 11GBA 12055P2  
Same as 11GBA 12055P1(Section 460A)Except

33	AUXILIARY DRIVE	1H	864-JC1-4
34	HYDRAULIC STEERING PUMP	1	864-JE1-1

SECTION 460C - 11GBA 12055P3  
Same as 11GBA 12055P1(Section 460A)Except

9	CYLINDER & UPPER CRANKCASE	1F	864-BA1-3
---	----------------------------	----	-----------

SECTION 460D - 11GBA 12055P4  
Same as 11GBA 12055P1(Section 460A)Except

9	CYLINDER & UPPER CRANKCASE	1F	864-BA1-3
33	AUXILIARY DRIVE	1H	864-JC1-4
34	HYDRAULIC STEERING PUMP	1	864-JE1-1

SECTION 460E - 11GBA 12055P5  
Same as 11GBA 12055P1(Section 460A)Except

29	FUEL INJECTION EQUIPMENT	2A	864-GM2-4
31	GOVERNOR	2A	864-GM2-4

LINE	DESCRIPTION	TYPE	PAGE
<u>SECTION 460F - 11GBA 12055P6</u>			
F715T			
Same as 11GBA 12055P1(Section 460A)Except			
33	AUXILIARY DRIVE	1H	864-JC1-4
34	HYDRAULIC STEERING PUMP	1A	864-JE1-1
<u>SECTION 460G - 11GBA 12055AP1</u>			
F715			
Same as 11GBA 12055P1(Section 460A)Except			
6	VALVE OPERATING MECHANISM	1A	864-AG1-2
9	CYLINDER & UPPER CRANKCASE	1G	864-BA1-4
10	CYLINDER HEAD & VALVES	1C	864-BB1-2
24	WATER FILTER	1A	864-F71-2
28	OIL FILTER (FUEL)	1C	864-GK1-3
<u>SECTION 460H - 11GBA 12055AP2</u>			
F715			
Same as 11GBA 12055P1(Section 460A)Except			
6	VALVE OPERATING MECHANISM	1A	864-AG1-2
9	CYLINDER & UPPER CRANKCASE	1G	864-BA1-4
10	CYLINDER HEAD & VALVES	1C	864-BB1-2
24	WATER FILTER	1A	864-F71-2
28	OIL FILTER (FUEL)	1C	864-GK1-3
33	AUXILIARY DRIVE	1H	864-JC1-4
34	HYDRAULIC STEERING PUMP	1	864-JE1-1
<u>SECTION 460J - 11GBA 12055AP5</u>			
F715ST			
Same as 11GBA 12055P1(Section 460A)Except			
6	VALVE OPERATING MECHANISM	1A	864-AG1-2
9	CYLINDER & UPPER CRANKCASE	1G	864-BA1-4
10	CYLINDER HEAD & VALVES	1C	864-BB1-2
24	WATER FILTER	1A	864-F71-2
28	OIL FILTER (FUEL)	1C	864-GK1-3
29	FUEL INJECTION EQUIPMENT	2A	864-GM2-4
31	GOVERNOR	2A	864-GM2-4
<u>SECTION 460K - 11GBA 12055AP6</u>			
F715T			
Same as 11GBA 12055P1(Section 460A)Except			
6	VALVE OPERATING MECHANISM	1A	864-AG1-2
9	CYLINDER & UPPER CRANKCASE	1G	864-BA1-4
10	CYLINDER HEAD & VALVES	1C	864-BB1-2
24	WATER FILTER	1A	864-F71-2
28	OIL FILTER (FUEL)	1C	864-GK1-3
33	AUXILIARY DRIVE	1H	864-JC1-4
34	HYDRAULIC STEERING PUMP	1A	864-JE1-1
<u>SECTION 460L - 11GBA 12055AP7</u>			
F719ST			
Same as 11GBA 12055P1(Section 460A)Except			
6	VALVE OPERATING MECHANISM	1A	864-AG1-2
9	CYLINDER & UPPER CRANKCASE	1G	864-BA1-4
10	CYLINDER HEAD & VALVES	1C	864-BB1-2
16	FLYWHEEL	1A	864-CF1-1
24	WATER FILTER	1A	864-F71-2
28	OIL FILTER (FUEL)	1C	864-GK1-3
33	AUXILIARY DRIVE	1H	864-JC1-4
34	HYDRAULIC STEERING PUMP	1A	864-JE1-1
<u>SECTION 460M - 11GBA 12055AP3</u>			
F715			
Same as 11GBA 12055P1(Section 460A)Except			
6	VALVE OPERATING MECHANISM	1A	864-AG1-2
9	CYLINDER & UPPER CRANKCASE	1J	864-BA1-5
10	CYLINDER HEAD & VALVES	1C	864-BB1-2
24	WATER FILTER	1A	864-F71-2
28	OIL FILTER (FUEL)	1C	864-GK1-3

LINE	DESCRIPTION	TYPE	PAGE
<u>SECTION 460N - 11GBA 12055AP8</u>			
Same as 11GBA 12055P1(Section 460A)Except			
2	TIMING GEAR COVER	1A	864-AG1-1
5	FLYWHEEL HOUSING	2	864-AF2-1
6	VALVE OPERATING MECHANISM	1A	864-AG1-2
9	CYLINDER & UPPER CRANKCASE	1J	864-BA1-5
10	CYLINDER HEAD & VALVES	1C	864-BB1-2
15	VIBRATION DAMPER HUB & FAN DRIVE	3	864-CD3-1
16	FLYWHEEL	2	864-CF2-1
24	WATER FILTER	1A	864-F71-2
28	OIL FILTER (FUEL)	1C	864-GK1-3
33	AUXILIARY DRIVE	1H	864-JC1-4
34	HYDRAULIC STEERING PUMP	1	864-JE1-1
<u>SECTION 460P - 11GBA 12055AP9</u>			
Same as 11GBA 12055P1(Section 460A)Except			
5	FLYWHEEL HOUSING	3	864-AF3-1
6	VALVE OPERATING MECHANISM	1A	864-AG1-2
9	CYLINDER & UPPER CRANKCASE	1J	864-BA1-5
10	CYLINDER HEAD & VALVES	1C	864-BB1-2
16	FLYWHEEL	1C	864-CF1-1
24	WATER FILTER	1A	864-F71-2
28	OIL FILTER (FUEL)	1C	864-GK1-3
<u>SECTION 460Q - 11GBA 12260P1</u>			
Same as 11GBA 12055P1(Section 460A)Except			
6	VALVE OPERATING MECHANISM	1A	864-AG1-2
9	CYLINDER & UPPER CRANKCASE	1G	864-BA1-4
10	CYLINDER HEAD & VALVES	1C	864-BB1-2
24	WATER FILTER	1A	864-F71-2
28	OIL FILTER (FUEL)	1C	864-GK1-3
29	FUEL INJECTION EQUIPMENT	2C	864-GM2-5
31	GOVERNOR	2C	864-GM2-5
<u>SECTION 460R - 11GBA 12055BP1</u>			
Same as 11GBA 12055P1(Section 460A)Except F715 Without Power Steering			
6	VALVE OPERATING MECHANISM	1A	864-AG1-2
9	CYLINDER & UPPER CRANKCASE	1G	864-BA1-4
10	CYLINDER HEAD & VALVES	1C	864-BB1-2
20	OIL LEVEL INDICATOR	1D	864-FD1-2
24	WATER FILTER	1A	864-F71-2
28	OIL FILTER (FUEL)	1C	864-GK1-3
<u>SECTION 460S - 11GBA 12055BP2</u>			
Same as 11GBA 12055P1(Section 460A)Except F715 with Power Steering			
6	VALVE OPERATING MECHANISM	1A	864-AG1-2
9	CYLINDER & UPPER CRANKCASE	1G	864-BA1-4
10	CYLINDER HEAD & VALVES	1C	864-BB1-2
20	OIL LEVEL INDICATOR	1D	864-FD1-2
24	WATER FILTER	1A	864-F71-2
28	OIL FILTER (FUEL)	1C	864-GK1-3
33	AUXILIARY DRIVE	1H	864-JC1-4
34	HYDRAULIC STEERING PUMP	1	864-JE1-1
<u>SECTION 460T - 11GBA 12055BP3</u>			
Same as 11GBA 12055P1(Section 460A)Except F715 with Seal Plate Cylinder Sleeves			
6	VALVE OPERATING MECHANISM	1A	864-AG1-2
9	CYLINDER & UPPER CRANKCASE	1J	864-BA1-5
10	CYLINDER HEAD & VALVES	1C	864-BB1-2
20	OIL LEVEL INDICATOR	1D	864-FD1-2
24	WATER FILTER	1A	864-F71-2
28	OIL FILTER (FUEL)	1C	864-GK1-3

**MACK TRUCK-TRACTOR PARTS BOOK**

TITLE

ENGINE (END864)

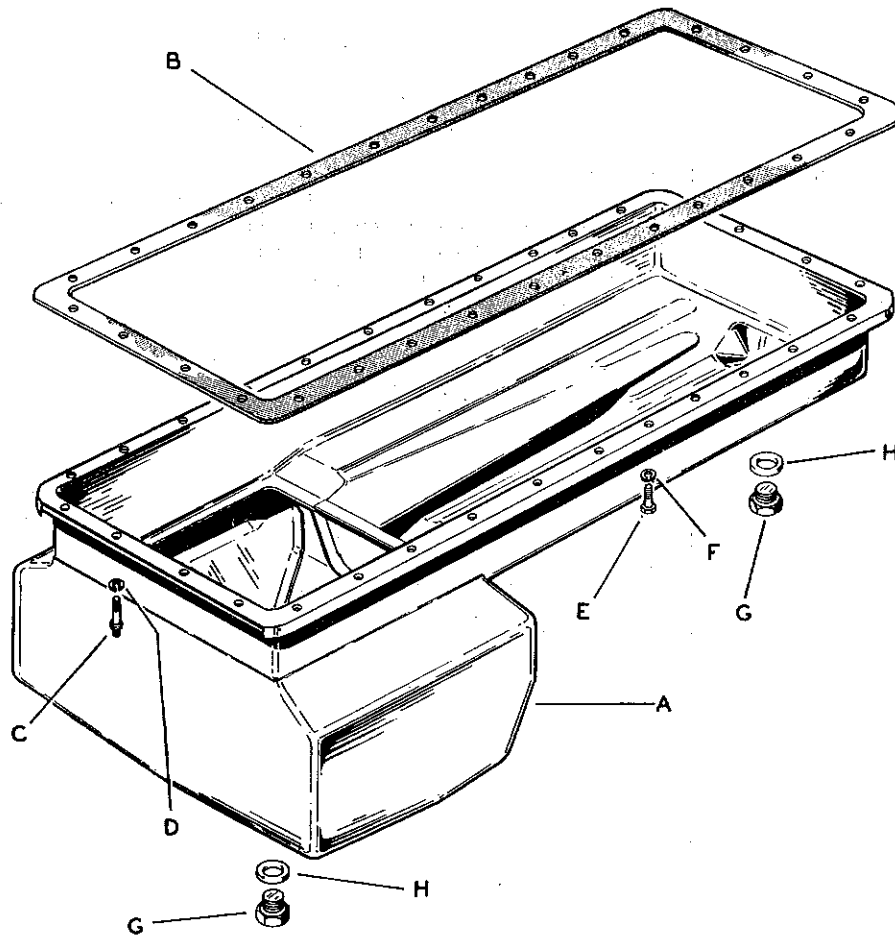
GROUP 1.

SECTION 460

(Continued)

LINE	DESCRIPTION	TYPE	PAGE
SECTION 460U - 11GBA 12055BP5 Same as 11GBA 12055P1(Section 460A)Except F715ST			
6	VALVE OPERATING MECHANIMS	1A	864-AG1-2
9	CYLINDER & UPPER CRANKCASE	1G	864-BA1-4
10	CYLINDER HEAD & VALVES	1C	864-BB1-2
20	OIL LEVEL INDICATOR	1D	864-FD1-2
24	WATER FILTER	1A	864-F71-2
28	OIL FILTER (FUEL)	1C	864-GK1-3
29	FUEL INJECTION EQUIPMENT	2A	864-GM2-4
31	GOVERNOR	2A	864-GM2-4
SECTION 460V - 11GBA 12055BP6 Same as 11GBA 12055P1(Section 460A)Except F715T with Power Steering			
6	VALVE OPERATING MECHANISM	1A	864-AG1-2
9	CYLINDER & UPPER CRANKCASE	1G	864-BA1-4
10	CYLINDER HEAD & VALVES	1C	864-BB1-2
20	OIL LEVEL INDICATOR	1D	864-FD1-2
24	WATER FILTER	1A	864-F71-2
28	OIL FILTER (FUEL)	1C	864-GK1-3
33	AUXILIARY DRIVE	1H	864-JC1-4
34	HYDRAULIC STEERING PUMP	1A	864-JE1-1
SECTION 460W - 11GBA 12055BP7 Same as 11GBA 12055P1(Section 460A)Except F719ST with Power Steering Fuller Transmission			
6	VALVE OPERATING MECHANISM	1A	864-AG1-2
9	CYLINDER & UPPER CRANKCASE	1G	864-BA1-4
10	CYLINDER HEAD & VALVES	1C	864-BB1-2
16	FLYWHEEL	1A	864-CF1-1
20	OIL LEVEL INDICATOR	1D	864-FD1-2
24	WATER FILTER	1A	864-F71-2
28	OIL FILTER (FUEL)	1C	864-GK1-3
33	AUXILIARY DRIVE	1H	864-JC1-4
34	HYDRAULIC STEERING PUMP	1A	864-JE1-1
SECTION 460X - 11GBA 12055BP8 Same as 11GBA 12055P1(Section 460A)Except F715 FSTP			
2	TIMING GEAR COVER	1A	864-AC1-1
5	FLYWHEEL HOUSING	2	864-AF2-1
6	VALVE OPERATING MECHANISM	1A	864-AG1-2
9	CYLINDER & UPPER CRANKCASE	1G	864-BA1-4
10	CYLINDER HEAD & VALVES	1C	864-BB1-2
11	ENGINE WATER OUTFLET	1A	864-BC1-2
15	VIBRATION DAMPER, HUB & FAN DRIVE	3	864-CD3-1
16	FLYWHEEL	2	864-CE2-1
17	WATER PUMP & DRIVE	1B	864-DA1-2
20	OIL LEVEL INDICATOR	1D	864-FD1-2
24	WATER FILTER	1A	864-F71-2
28	OIL FILTER (FUEL)	1C	864-GK1-3
33	AUXILIARY DRIVE	1H	864-JC1-4
34	HYDRAULIC STEERING PUMP	1	864-JE1-1
SECTION 460Y - 11GBA 12055BP9 Same as 11GBA 12055P1(Section 460A)Except F715T Brown & Lipe 14" Clutch Plate Puller			
5	FLYWHEEL HOUSING	3	864-AF3-1
6	VALVE OPERATING MECHANISM	1A	864-AG1-2
9	CYLINDER & UPPER CRANKCASE	1G	864-BA1-4
10	CYLINDER HEAD & VALVES	1C	864-BB1-2
16	FLYWHEEL	1C	864-CF1-1
20	OIL LEVEL INDICATOR	1D	864-FD1-2
24	WATER FILTER	1A	864-F71-2
28	OIL FILTER FUEL	1C	864-GK1-3

11-72-210



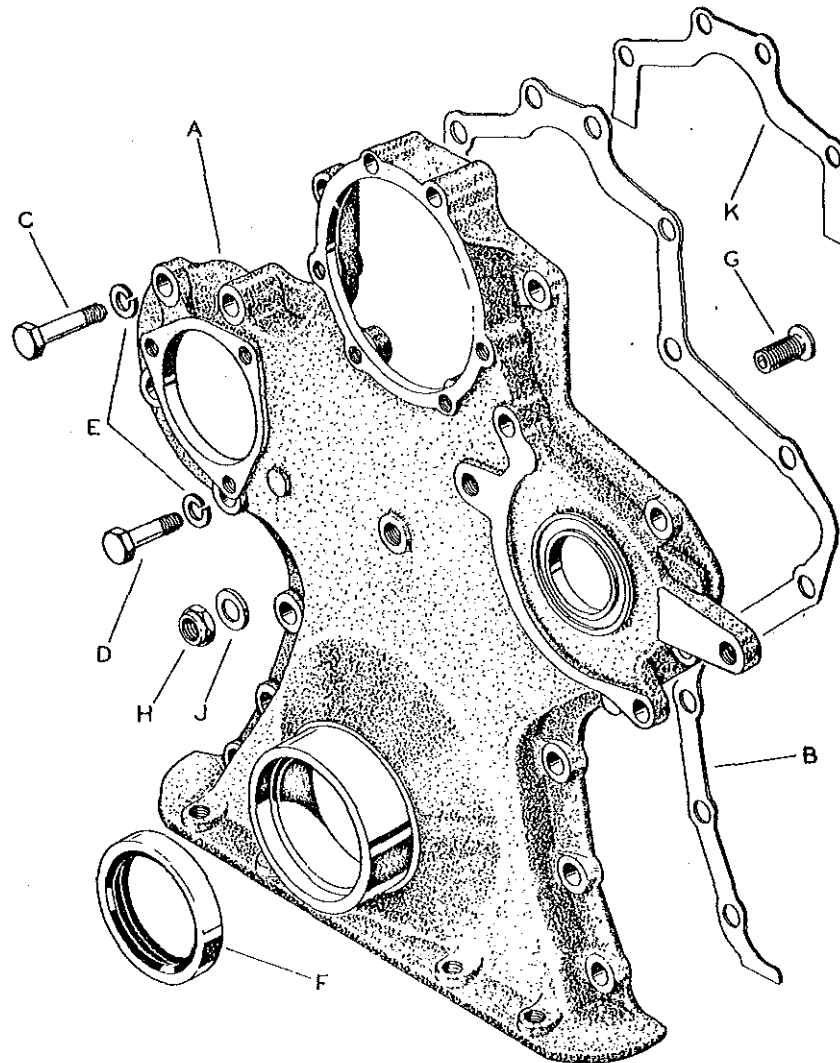
KEY	PART NUMBER	DESCRIPTION	NO. REQ.
		<b>LOWER CRANKCASE &amp; SUMP (Type 1)</b> "B" MODEL (Without Drain Trough)	
A	240GB 598	CRANKCASE, Lower	1
B	579GB 46	Attaching Parts: GASKET	1
C	6AX 1143	SCREW, Front & Rear	8
D		WASHER, Lock, 3/8 I.D.(36AX 3)	8
E		SCREW, cap, 5/16-18 NC x 7/8 (Full thd.)(Sides)(4AX 32)	22
F		WASHER, Lock, 5/16 I.D.(Sides)(36AX 22)	22
G	49AX 161	PLUG, Lower Crankcase Magnetic Drain	2
H	39AX 23	Attaching Parts: WASHER, 57/64 I.D.	2
		<b>LOWER CRANKCASE &amp; SUMP (Type 1A)</b> Same as Type 1, Except "F"MODEL (Without Drain Trough)	
E		SCREW, cap, 5/16-18 NC x 7/8(Sides-Short)(4AX 32)	18
E		SCREW, cap, 5/16-18 NC x 1(Full thd.)(Sides-Long)(At Oil Filter Tube Clamps)(4AX 5)	4
F		WASHER, Lock, 5/16 I.D.(Short Screw)(36AX 22)	18
F	37AX 68	WASHER, (5/16 I.D.)(Long Screw)	4

IK

KEY	PART NUMBER	DESCRIPTION	NO. REQ.
		LOWER CRANKCASE & SUMP (Type 1B) Same as Type 1, Except "B" & "F" MODEL (With Drain Trough)	
A	240GB 5117	CRANKCASE, Lower	1
E		SCREW, cap, 5/16-18 NC x 7/8 (Sides-Short)(4AX 32)	18
E		SCREW, cap, 5/16-18 NC x 1 (Full thd.)(Sides-Long)(At Oil Filter Tube Clamps)(4AX 5)	4
F		WASHER, Lock, 5/16 I.D.(Short Screw)(36AX 22)	18
F	37AX 68	WASHER, (5/16 I.D.)(Long Screw)	4
		LOWER CRANKCASE & SUMP (Type 1C) Same as Type 1, Except F Model- Turbocharge	
A	240GB 5131	CRANKCASE, Lower	1
E		SCREW, Cap, 5/16-18 NC x 7/8 (Sides-Short)(4AX 32)	18
E		SCREW, Cap, 5/16-18 NC x 1 (Full thd.)(Sides-Long)(At Oil Filter Tube Clamps)(4AX 5)	4
F		WASHER, Lock, 5/16 I.D. (Short Screw)(36AX 22)	18
F	37AX 68	WASHER, (5/16 I.D.)(Long Screw)	4

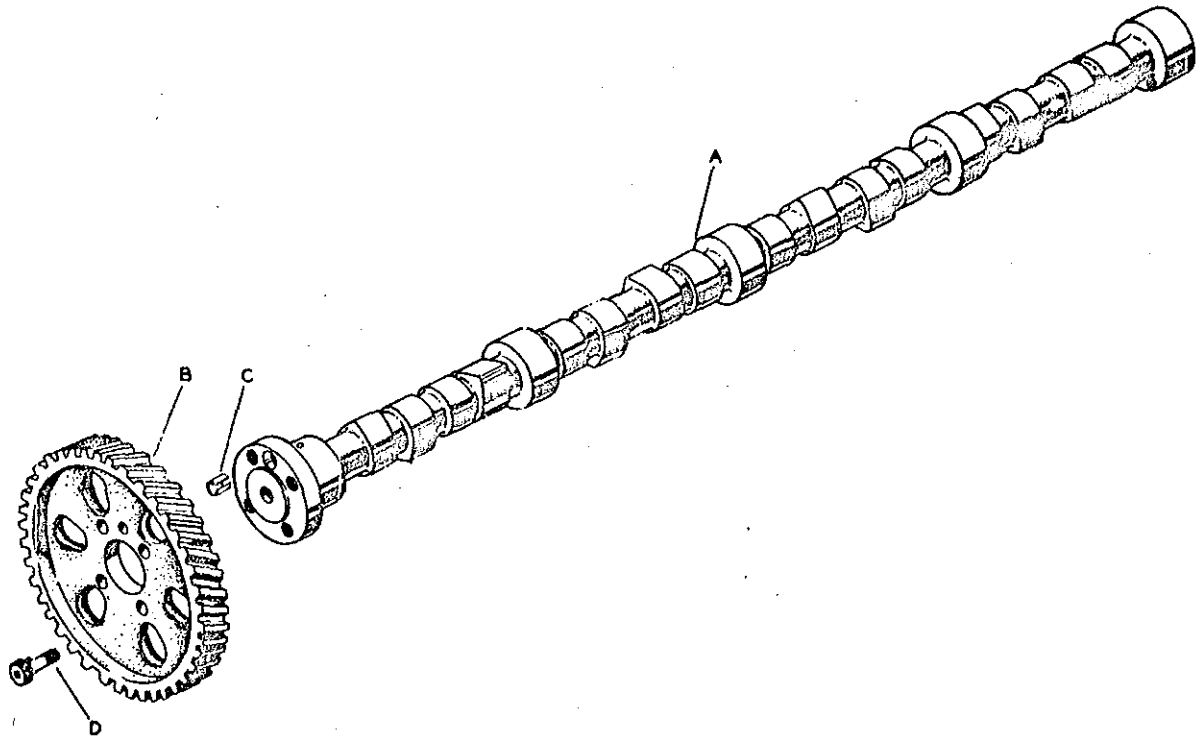


11-72-216



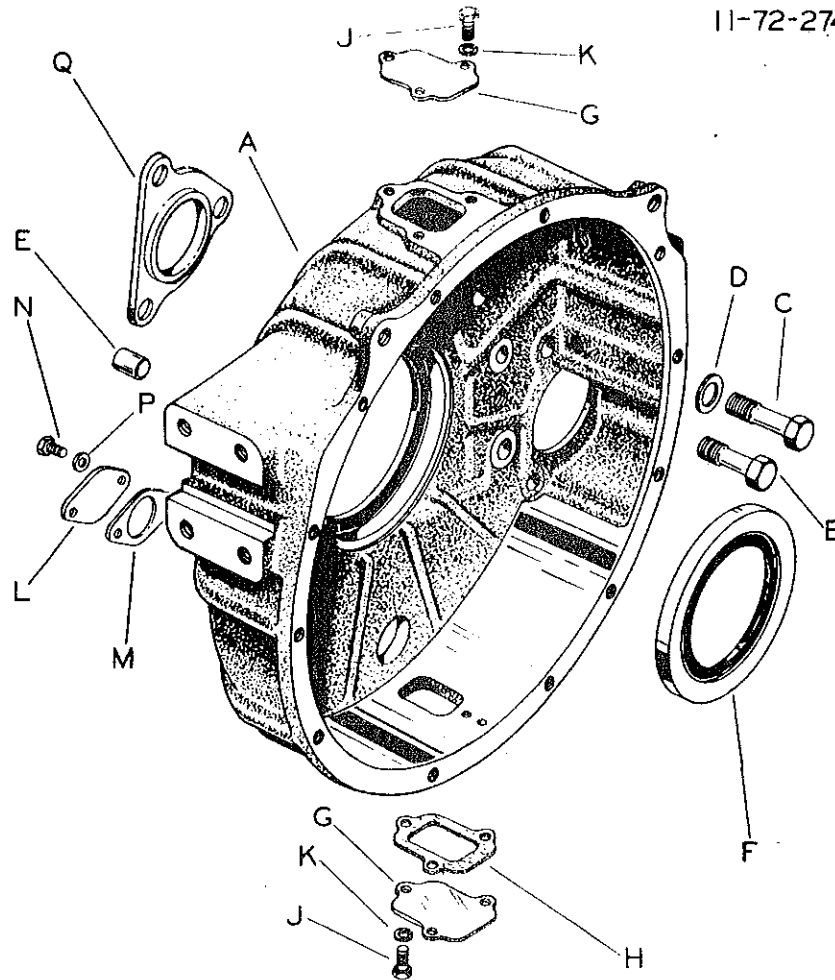
KEY	PART NUMBER	DESCRIPTION	NO. REQ.
		<u>TIMING GEAR COVER (Type 1)</u> C, B & F MODEL	
A	333GB 559	COVER, Timing Gear	1
B	548GB 415	Attaching Parts: GASKET	1
C		SCREW, cap, 3/8-16 NC x 1-1/4 (1"thd.)(4AX 16)	13
D		SCREW, cap, 3/8-16 NCx 1-1/4 (1"thd.)(4AX 16)	1
E		WASHER, Lock, 3/8 I.D.(36AX 3)	14
F	446GC 1116*	SEAL, Timing Gear Cover	1
F	446GC 1115*	SEAL, Timing Gear Cover	1
G	395GC 113	SCREW, Camshaft Thrust	1
H	21AX 338	Attaching Parts: NUT (5/8-18)	1
J	39AX 25	WASHER, Plain (41/64 I.D.)	1
K	548GB 19	GASKET, Auxiliary Housing Service	1
		<u>TIMING GEAR COVER (Type 1A)</u> F Model (Front Timing)	
A	333GB 350	Same as Type 1, Except COVER, Timing Gear	1
		*Optional	

11-72-91



KEY	PART NUMBER	DESCRIPTION	NO. REQ.
		<u>CAMSHAFT (Type 1)</u> B & F Model	
A	454GC 4169	CAMSHAFT	1
B	668GB 315	GEAR, Camshaft	1
C	31AX 563	Attaching Parts: PIN, Camshaft Gear Locating	1
D	3AX 535	SCREW, 3/8 x 7/8"L.	4

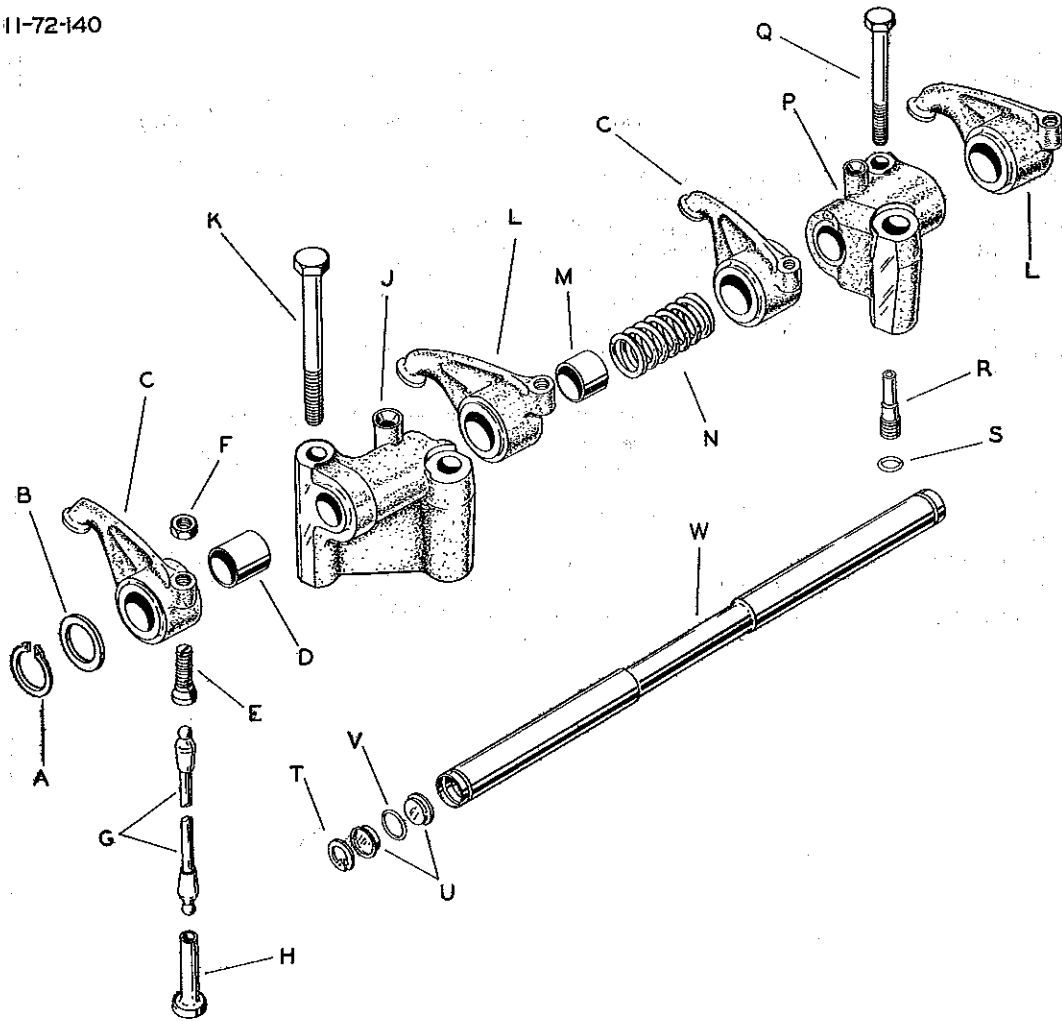
11-72-274



KEY	PART NUMBER	DESCRIPTION	NO. REQ.
		<u>FLYWHEEL HOUSING (Type 2)</u> (Vibration Damper Timing)	
A	634GC 5183	HOUSING, Flywheel	1
B	429GC 19	Attaching Parts:	6
C	429GC 110	SCREW (5/8 x 1-11/16"L.)	2
D	711GC 133A	SCREW (Long)	8
E	31AX 119 *	WASHER	2
E	183GC 154P15 *	DOWEL, 5/8 x 1-7/16"L.(Std.)	2
E	183GC 154P72 *	DOWEL (1/64 Oversize)	2
E	183GC 154P62 *	DOWEL (1/32 Oversize)	2
F	446GC 210	DOWEL (1/16 Oversize)	2
G	335GB 116	SEAL, Flywheel Housing Crankshaft	1
H	590GB 1233	COVER, Flywheel Housing Top & Bottom	2
J	6AX 1146	Attaching Parts:	2
K	37AX 471	GASKET	6
L	332GB 144	SCREW	6
M	590GB 1232	WASHER, Plain	1
N	6AX 1146	COVER, Flywheel Housing Front Inspection	1
P	37AX 471	Attaching Parts:	1
Q	30GB 235	GASKET	2
		SCREW	2
		WASHER, Plain	1
		ADAPTER, Starting Motor	1
		*Optional	

IK

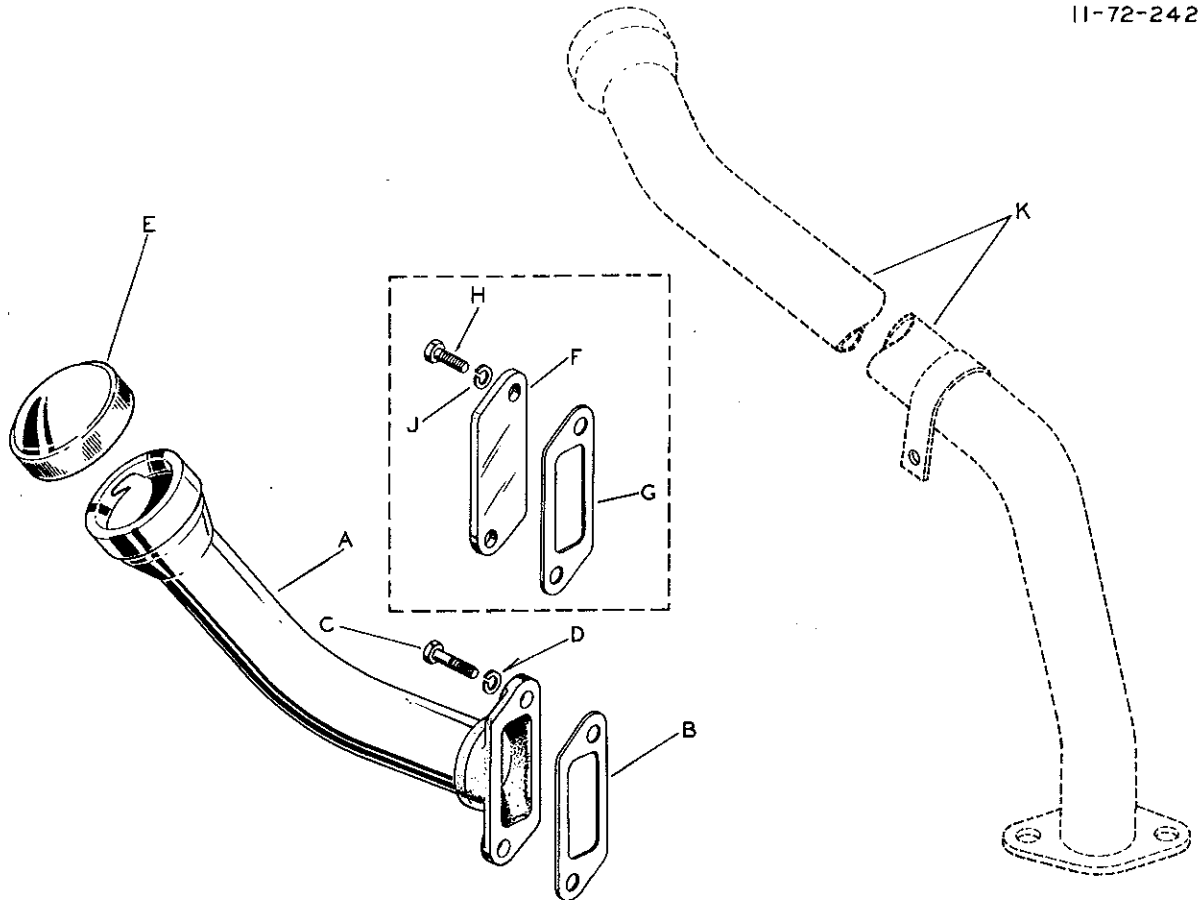
11-72-140



KEY	PART NUMBER	DESCRIPTION	NO. REQ.
		<u>VALVE OPERATING MECHANISM (Type 1)</u> C, B & F Model (With 5/8" Cylinder Studs)	
A	345GC 11	RING, Valve Rocker Arm Retaining	8
B	35AX 1359	WASHER, Valve Rocker Arm	8
C	44GBA 1160	ARM ASSEMBLY, Valve Rocker (Exhaust 2,4,5, & 7) (Inlet 1,3,6 & 8)	8
		Includes:	
D	192GB 115	BUSHING, Valve Rocker Arm	8
E	417GC 113	SCREW, Valve Rocker Arm Adjusting	16
		Attaching Parts:	
F	21AX 750	NUT, Valve Rocker Arm Screw	16
G	369GCA 1153	ROD ASSEMBLY, Valve Lifter Push	16
H	72GCA 1135B	LIFTER ASSEMBLY, Valve	16
J	146GB 191	BRACKET, Valve Rocker Arm Shaft (Cylinder 1, 3, 6 & 8)	4
		Attaching Parts:	
K	4AX 340	SCREW, 7/16 x 14 NC x 3-1/4"L.	4
L	44GBA 1159	ARM ASSEMBLY, Valve Rocker (Exhaust 1,3,6 & 8)(Inlet 2,4,5 & 7)	8
		Includes:	
M	192GB 115	BUSHING, Valve Rocker Arm	8
N	579GC 124	SPRING, Valve Rocker Arm	4

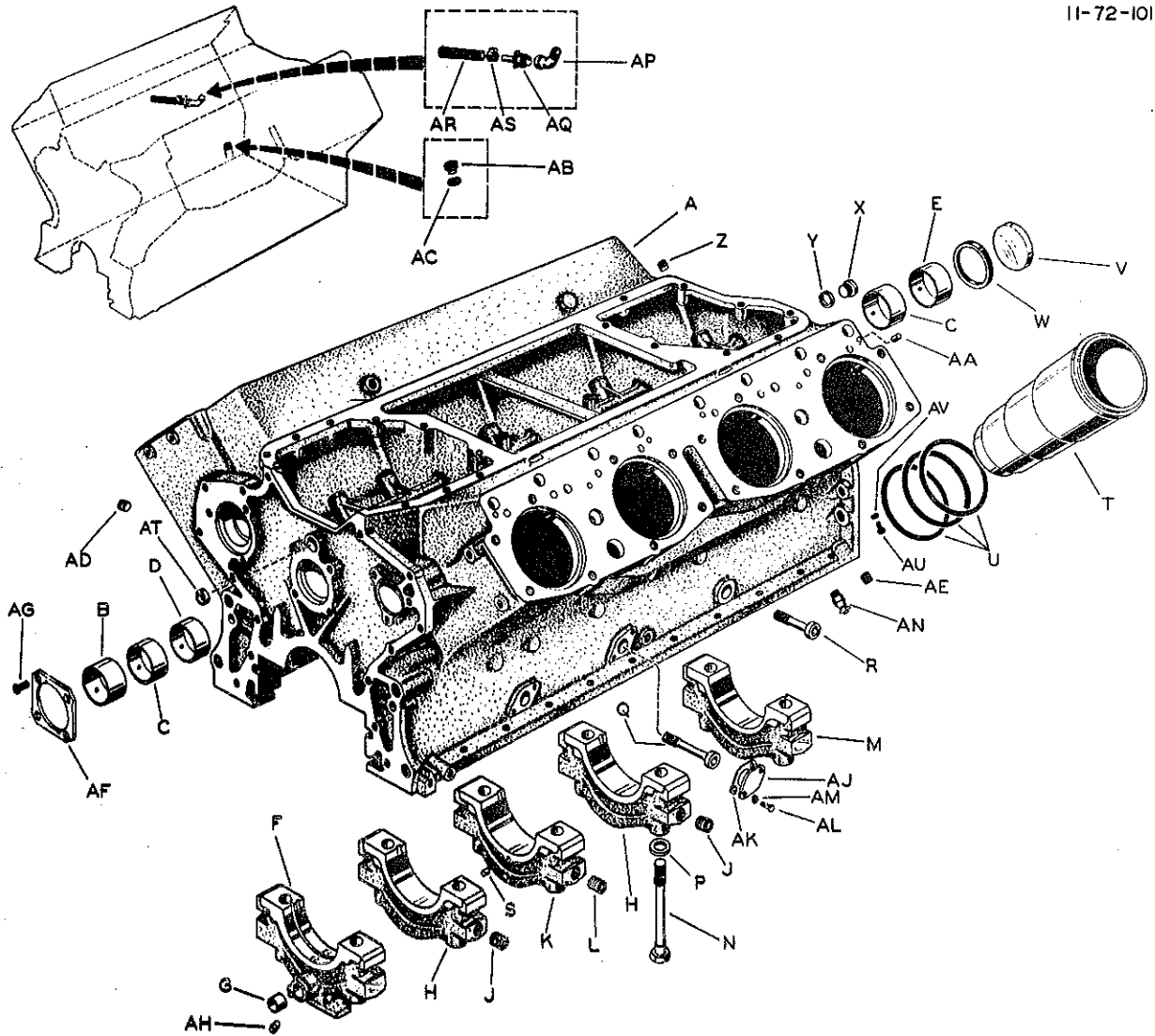
KEY	PART NUMBER	DESCRIPTION	NO. REQ.
		<u>VALVE OPERATING MECHANISM (Type 1)(Cont.)</u>	
P	146GB 190	BRACKET, Valve Rocker Arm Shaft (Cylinder 2,4,5 &7)	4
		Attaching Parts:	
Q	4AX 340	SCREW (7/16 x 14 NC x 3-1/4"L.)	4
R	416GC 18	SCREW, Valve Rocker Arm Set	4
S	446GC 138A	SEAL, Oil, Valve Rocker Arm Bracket	4
T	97AX 105	RING, Valve Rocker Arm Shaft End Plug Retainer	8
U	259GC 132	PLUG, Valve Rocker Arm Shaft End	16
V	446GC 192	SEAL, Valve Rocker Arm Shaft End Plug	8
W	466GC 269	SHAFT, Valve Rocker Arm	4
		<u>VALVE OPERATING MECHANISM (Type 1A)</u> Same as Type 1, Except B, C & F Model (With 11/16" Cylinder Studs)	
A	579GC 127	RETAINER, Valve Rocker Arm	8
B	Omit		
J	146GB 1106	BRACKET, Valve Rocker Arm Shaft (Cylinder 1,3,6 & 8)	4
P	146GB 1105	BRACKET, Valve Rocker Arm Shaft (Cylinder 2, 4, 5 & 7)	4
S	446GC 193A	SEAL, Valve Rocker Arm Bracket Oil	4
W	466GC 269A	SHAFT, Valve Rocker Arm	4

11-72-242



KEY	PART NUMBER	DESCRIPTION	NO. REQ.
<u>CRANKCASE OIL FILLER (Type 1)</u> "B" Model			
A	477GB 275	FILLER, COMPLETE, Crankcase Oil Attaching Parts:	1
B	590GB 1207	GASKET	1
C		SCREW, cap, 5/16-18 NC x 1-1/4 (7/8"thd.)(4AX 130)	2
D		WASHER, Lock, 5/16 I.D.(36AX 22)	2
E	222GB 118	CAP, Crankcase Oil Filler	1
F Thru K	Not Used		
<u>CRANKCASE OIL FILLER (Type 1A)</u> Same as Type 1, Except "F" Model			
A Thru E	Omit		
F	332GB 139	COVER, Crankcase Oil Filler Flange Hole (At Fan Bracket) Attaching Parts:	1
G	590GB 1207	GASKET	1
H		SCREW, cap, 5/16-18 NC x 7/8 (Full thd.)(4AX 32)	2
J		WASHER, Lock, 5/16 I.D.(36AX 22)	2
K		FILLER COMPLETE, Crankcase Oil (See Group 1C)	

11-72-101



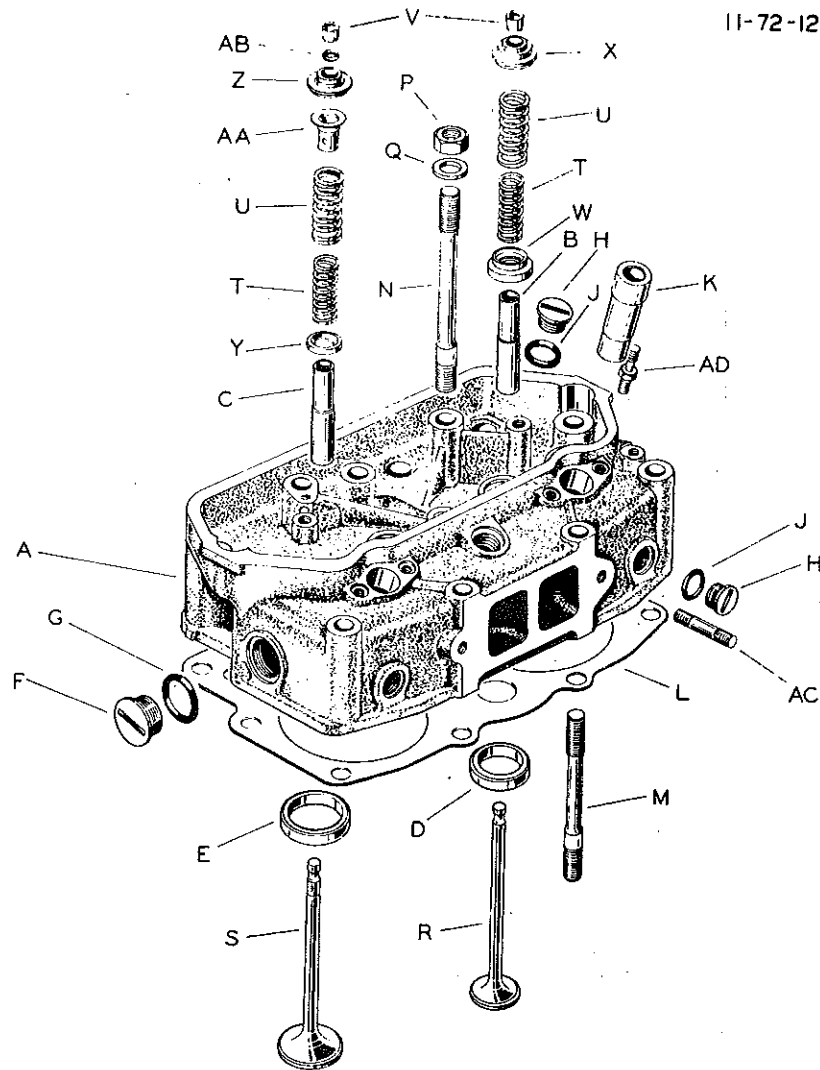
KEY	PART NUMBER	DESCRIPTION	NO. REQ.
		<b>CYLINDER &amp; UPPER CRANKCASE (Type 1)</b> <b>B Model (With Butress Screws, Double Interference Bearing Cap)</b>	
	239GBA 1530	<b>BLOCK ASSEMBLY, Engine Short</b> <b>Includes:</b> (Cylinder Service Assembly, Crankshaft & Main Bearings, Connecting Rod & Bearing Assemblies, Pistons, Pins, & Rings, Camshaft, Timing Gears, (Except Injection Pump Drive & Drivan & Valve Lifter Assembly)	1
A	239GBA 4147P1	<b>CYLINDER &amp; UPPER CRANK ASSEMBLY</b> <b>Includes:</b>	1
B	59GB 1101P1	BUSHING, Camshaft (Front)(Standard)	1
C	59GB 1109P1	BUSHING, Camshaft (Intermediate)(Standard)	2
D	59GB 1109P1	BUSHING, Camshaft (Center)(Standard)	1
E	59GB 1109P1	BUSHING, Camshaft (Rear)(Standard)	1
F	#	CAP ASSEMBLY, Main Bearing (Front) <b>Includes:</b>	1
G	186GB 159	BUSHING, Oil Pump Drive Idler Gear #Not Sold Separately.	2

IK

KEY	PART NUMBER	DESCRIPTION	NO. REQ.
<u>CYLINDER &amp; UPPER CRANKCASE (Type 1)(Cont.)</u>			
H	#	CAP ASSEMBLY, Main Bearing (Intermediate) Includes:	2
J	23GC 118	INSERT, Main Bearing Cap Buttress Screw	4
K	#	CAP ASSEMBLY, Main Bearing (Center) Includes:	1
L	23GC 118	INSERT, Main Bearing Cap Buttress Screw	2
M	#	CAP, Main Bearing (Rear) Attaching Parts:	1
N	409GC 157	SCREW	10
P	711GC 166	WASHER	10
Q	409GC 158	SCREW, Cylinder & Upper Crankcase Buttress (Long)	2
R	409GC 159	SCREW, Cylinder & Upper Crankcase Buttress (Short)	4
S	31AX 255	PIN, Cylinder Main Bearing Cap Thrust Washer Locating (1/4 x 37/64"L.)	2
T	5 09GC 235A	SLEEVE, Cylinder	8
U	447GC 154	"O" RING, Seal Cylinder Sleeve	24
V	277GC 17	PLUG, Cylinder Camshaft Hole (Rear)	1
W	446GC 1100	SEAL, Cylinder Camshaft Hole Oil (Rear)	1
X	262GC 15B	PLUG, Cylinder Main Oil Gallery (Rear) Attaching Parts:	1
Y	39AX 23	WASHER (57/64 I.D.)	1
Z		PLUG, sq. hd. iron 1/8 NPT Cylinder Main Oil Gallery (Top & Rear)(63AX 3)	2
AA	31AX 268	PLUG, Cylinder Head & Gasket Locating	8
AB	266GC 11	PLUG, Oil Level Indicator Hole Attaching Parts:	1
AC	37AX 14	WASHER (41/64 I.D.)	1
AD		PLUG, hex. c/s iron 1/4 NPT, By-Pass Oil Filter Return Hole (Right)(63AX 335)	1
AE		PLUG, sq. c/s iron 1/2 NPT Cylinder Water Passage Core Hole (63AX 51)	4
AF	702GC 152	WASHER, Cylinder Camshaft Thrust Attaching Parts:	1
AG	421GC 122	SCREW, Cylinder Camshaft Thrust Washer	4
AH	259GC 133	PLUG, Main Bearing Cap Oil Passage (Front)	1
AJ	332GB 138	COVER, Main Bearing Cap Buttress Screw Hole Attaching Parts:	1
AK	590GB 1151	GASKET	1
AL		SCREW, cap, 5/16-18 NC x 3/4 (Full thd.)(4AX 99)	2
AM		WASHER, Lock, 5/16 I.D.(36AX 22)	2
AN	61AX 54	COCK, Drain, Cylinder Water (Left Side)	1
AP		ELBOW, Street, 90°, Bronze 3/8 NPT Cylinder Water Drain Fitting (63AX 61)	1
AQ	61AX 54	FITTING, Cylinder Water Drain (Right Side)	1
AR	943AX 6	HOSE, Cylinder, Water Drain Fitting	1
AS	83AX 111	CLAMP, Cylinder Water Drain Fitting Hose	1
AT	79AX 44	PLUG, Cylinder Main Oil Gallery (Front)	1
AU	8AX 176	SCREW, Cylinder Bore Weep Hole Attaching Parts:	8
AV	56AX 407	WASHER	8
<u>CYLINDER &amp; UPPER CRANKCASE (Type 1A)</u>			
Same as Type 1, Except			
B. Model (With Plugged Buttress Screw Holes, Double Interference Bearing caps)			
A	239GBA 4152P1	CYLINDER & UPPER CRANKCASE ASSEMBLY	1
Q	79AX 46	PLUG, Cylinder & Upper Crankcase Buttress	2
R	79AX 46	PLUG, Cylinder & Upper Crankcase Buttress	3
R	79AX 47	PLUG, Cylinder & Upper Crankcase Buttress (L.H.Front Only)	1
#Not Sold Separately.			



KEY	PART NUMBER	DESCRIPTION	NO. REQ.
		<u>CYLINDER &amp; UPPER CRANKCASE (Type 1H)</u> Same as Type 1, Except B & C Model (Without Buttress Screw Holes, Single Interference Bearing Caps & 11/16 Studs)	
-	239GBA 1563 <sub>A</sub>	BLOCK ASSEMBLY, Engine Short	1
A	239GBA 4167AP1	CYLINDER & UPPER CRANK ASSEMBLY	1
J	Omit		
L	Omit		
S	Omit		
R	Omit		
S	31AX 567	PIN, Cylinder Main Bearing Cap Thrust Washer Locating	2
T-1	505GC 17P2	SHIM, Cylinder Sleeve Shoulder (.002)	AR
T-1	505GC 17P3	SHIM, Cylinder Sleeve Shoulder (.003)	AR
T-1	505GC 17P4	SHIM, Cylinder Sleeve Shoulder (.004)	AR
T-1	505GC 17P8	SHIM, Cylinder Sleeve Shoulder (.008)	AR
T-1	505GC 17P10	SHIM, Cylinder Sleeve Shoulder (.010)	AR
T-1	505GC 17P12	SHIM, Cylinder Sleeve Shoulder (.012)	AR
T-1	505GC 17P14	SHIM, Cylinder Sleeve Shoulder (.014)	AR
AB	266GC 11	PLUG, Oil Level Indicator Hole (Front)	1
AB	79AX 47	WELCH PLUG, Oil Level Indicator Hole (Rear)	1
AH	Omit		
Thru			
AM			
AP	63AX 153	ELBOW, Cylinder Water Drain (R.H.)	1
AP	63AX 813	FITTING, Cylinder Water Drain (R.H.)	1
AR	Omit		
AS	Omit		
		<u>CYLINDER &amp; UPPER CRANKCASE (Type 1J)</u> Same as Type 1, Except F Model (Without Buttress Screw Holes, Single Interference Bearing Caps, 11/16 stud & seal Plate Cylinder Sleeves)	
-	239GBA 1563	BLOCK ASSEMBLY, Engine Short	1
A	239GBA 4167P2	CYLINDER & UPPER CRANK ASSEMBLY	1
J	Omit		
L	Omit		
S	Omit		
P	Omit		
S	31AX 567	PIN, Cylinder Main Bearing Cap Thrust Washer Locating	2
T	509GC 270	SLEEVE, Cylinder	8
T-1	505GC 17P2	SHIM, Cylinder Sleeve Shoulder (.002)	AR
T-1	505GC 17P3	SHIM, Cylinder Sleeve Shoulder (.003)	AR
T-1	505GC 17P4	SHIM, Cylinder Sleeve Shoulder (.004)	AR
T-1	505GC 17P8	SHIM, Cylinder Sleeve Shoulder (.008)	AR
T-1	505GC 17P10	SHIM, Cylinder Sleeve Shoulder (.010)	AR
T-1	505GC 17P12	SHIM, Cylinder Sleeve Shoulder (.012)	AR
T-1	505GC 17P14	SHIM, Cylinder Sleeve Shoulder (.014)	AR
AB	266GC 11	PLUG, Oil Level Indicator Hole (Front & Rear)	2
AC	37AX 14	WASHER (41/64 I.D.)	2
AH	Omit		
Thru			
AM			
AP	63AX 153	ELBOW, Cylinder Water Drain (R.H.)	1
AP	63AX 813	FITTING, Cylinder Water Drain (R.H.)	1
AR	Omit		
AS	Omit		



KEY	PART NUMBER	DESCRIPTION	NO. REQ.
		<u>CYLINDER HEAD &amp; VALVES (Type 1)</u> B Model	
A	732GBA 2666	HEAD ASSEMBLY, Cylinder Includes:	4
B	714GB 1323	GUIDE, Exhaust Valve	8
C	714GB 1323	GUIDE, Inlet Valve	8
D	13GC 2211P1 *	INSERT, Exhaust Valve Seat (Standard)	8
D	13GC 2211P15 *	INSERT, Exhaust Valve Seat (.015 Oversize)	8
D	13GC 2211P31 *	INSERT, Exhaust Valve Seat (.031 Oversize)	8
D	13GC 2211P47 *	INSERT, Exhaust Valve Seat (.047 Oversize)	8
D	13GC 2211P62 *	INSERT, Exhaust Valve Seat (.062 Oversize)	8
D	13GC 1238P1 *	INSERT, Exhaust Valve Seat (Standard)	8
D	13GC 1238P15 *	INSERT, Exhaust Valve Seat (.015 Oversize)	8
D	13GC 1238P31 *	INSERT, Exhaust Valve Seat (.031 Oversize)	8
D	13GC 1238P47 *	INSERT, Exhaust Valve Seat (.047 Oversize)	8
D	13GC 1238P62 *	INSERT, Exhaust Valve Seat (.062 Oversize)	8
E	13GC 2213P1 *	INSERT, Inlet Valve Seat (Standard)	8
E	13GC 2213P15 *	INSERT, Inlet Valve Seat (.015 Oversize)	8
E	13GC 2213P31 *	INSERT, Inlet Valve Seat (.031 Oversize)	8
E	13GC 2213P47 *	INSERT, Inlet Valve Seat (.047 Oversize)	8
E	13GC 2213P62 *	INSERT, Inlet Valve Seat (.062 Oversize)	8
E	13GC 1239P15 *	INSERT, Inlet Valve Seat (.015 Oversize) *Optional	8

IK

KEY	PART NUMBER	DESCRIPTION	NO. REQ.
<u>CYLINDER HEAD &amp; VALVES (Type 1)(Cont.)</u>			
E	13GC 1239P31 *	INSERT, Inlet Valve Seat (.031 Oversize)	8
E	13GC 1239P47 *	INSERT, Inlet Valve Seat (.047 Oversize)	8
E	13GC 1239P62 *	INSERT, Inlet Valve Seat (.062 Oversize)	8
F	49AX 155	PLUG, Cylinder Head Core Hole (Ends)	8
Attaching Parts:			
G	446GC 175	SEAL, "O" Ring	8
H	272GCA 19	PLUG COMPLETE, (Temp. Indicating)Cylinder Core Hole (Top)	4
H	49AX 158	PLUG, Cylinder Head Core Hole (Sides)	8
Attaching Parts:			
J	446GC 174	SEAL, "O" Ring	12
K	12GC 113P1	INSERT, Injection Nozzle Holder	8
Attaching Parts:			
L	553GB 3214A	GASKET	4
M	610GC 177	STUD (Short)	32
N	610GC 178	STUD (Long)	8
P	21AX 753	NUT	40
Q	35AX 1362	WASHER	40
R	688GC 2280	VALVE, Exhaust	8
S	690GC 2143	VALVE, Inlet	8
T	575GC 172	SPRING, Valve (Inner)	16
U	575GC 173	SPRING, Valve (Outer)	16
V	54GC 111	KEY, Valve Spring Washer	32
W	722GC 158	WASHER, Exhaust Valve Spring (Roto-Coil)	8
X	722GC 152	WASHER, Exhaust Valve Spring (Upper)	8
Y	711GC 151	WASHER, Inlet Valve Spring Centering (Lower)	8
Z	722GC 150	WASHER, Inlet Valve Spring (Upper)	8
AA	494GC 119	SHIELD, Inlet Valve Guide	8
AB	446GC 193	SEAL, Inlet Valve Guide Shield	8
AC	17AX 90	STUD, Exhaust Manifold	8
AD	616GC 116	STUD, Injection Nozzle Holder	16
<u>CYLINDER HEAD &amp; VALVES (Type 1A)</u>			
Same as Type 1, Except			
F Model (With Stud Nut For Oil Filler Brace & Praco-Lubrite Cylinder Stud Nuts)			
K	12GC 113P1 *	INSERT, Injection Nozzle Holder (Std.)	8
K	12GC 113P16 *	INSERT, Injection Nozzle Holder (.016 Oversize)	8
K	12GC 113P24 *	INSERT, Injection Nozzle Holder (.024 Oversize)	8
P	142GC 152	NUT, (5/8-18 NF x 23/32 thick)	37
P	142GC 153	NUT (5/8-18 NF x 2" thick)	3
Q	711GC 1100P4	WASHER	40
<u>CYLINDER HEAD &amp; VALVES (Type 1B)</u>			
Same as Type 1, Except			
B & C Model (With Praco-Lubrite Cylinder Stud Nuts)			
K	12GC 113P1 *	INSERT, Injection Nozzle Holder (Std.)	8
K	12GC 113P16 *	INSERT, Injection Nozzle Holder (.016 Oversize)	8
K	12GC 113P24 *	INSERT, Injection Nozzle Holder (.024 Oversize)	8
P	142GC 152	NUT (5/8-18 NF x 23/32 thick)	40
Q	711GC 1100P4	WASHER (5/8 I.D.)	40
<u>CYLINDER HEAD &amp; VALVES (Type 1C)</u>			
Same as Type 1, Except			
F Model (With Praco-Lubrite Cylinder Stud Nuts, Stud Nut For Oil Filler Brace & 11/16" Studs)			
A	732GBA 2672	HEAD ASSEMBLY, Cylinder	4
K	12GC 113P1 *	INSERT, Injection Nozzle Holder (Std.)	8
K	12GC 113P16 *	INSERT, Injection Nozzle Holder (.016 Oversize)	8
K	12GC 113P24 *	INSERT, Injection Nozzle Holder (.024 Oversize)	8
*Optional			



**TRUCK-TRACTOR PARTS BOOK**

GROUP 864 SECTION BB1

TITLE CYLINDER HEAD & VALVES

(Continued)

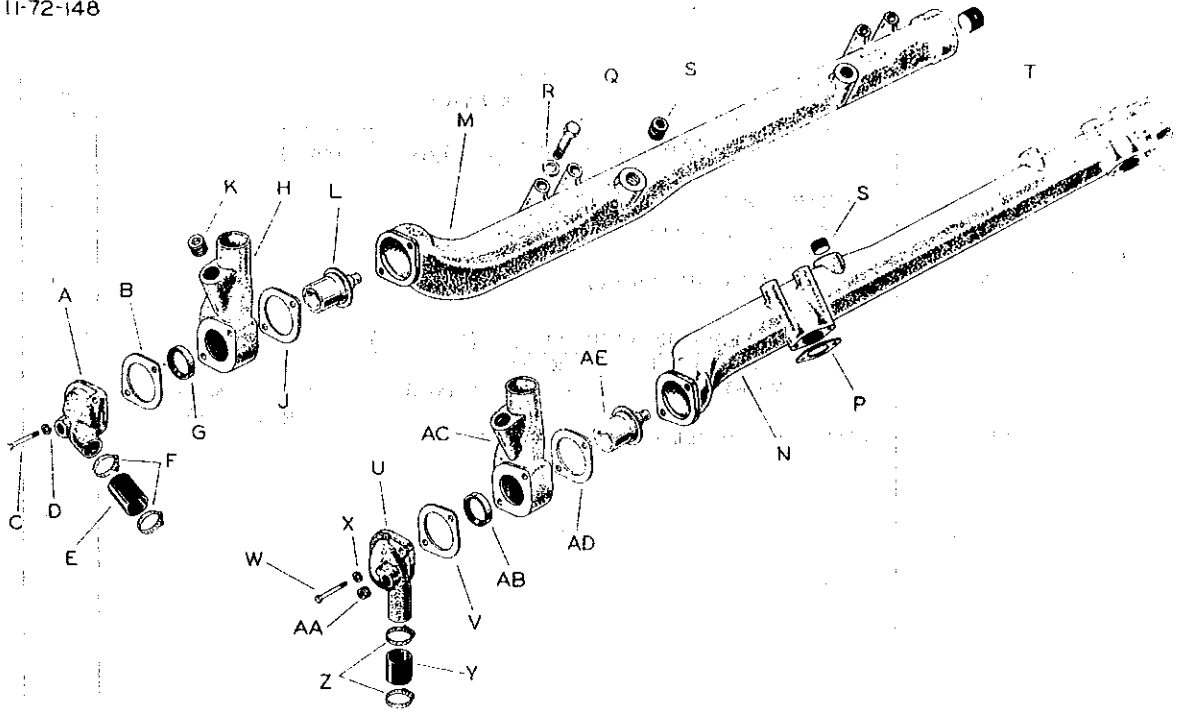
Quantity used is 1 unless otherwise specified in brackets ( ).

KEY	PART NUMBER	DESCRIPTION	KEY	PART NUMBER	DESCRIPTION
<u>CYLINDER HEAD &amp; VALVES (Type 1C) (Cont.)</u>					
L	553GB 3214B	GASKET (4)			
M	610GC 1124	STUD, (Short-Innder)(16)			
M	610GC 1126	STUD, (Short-Out Stainless Steel)(16)			
N	610GC 1114	STUD, (Long)(8)			
P	142GC 155	NUT, 11/16-16 NC (37)			
P	142GC 154	NUT, 11/16-16 NC (3)			
Q	711GC 1100P5	WASHER, 11/16 ID (40)			
AB	446GC 193A	SEAL, Inl. Vlv Gd Shield (8)			
AC	616GC 141	STUD, Exh Man (8)			
<u>CYLINDER HEAD &amp; VALVES (Type 1D)</u>					
Same as Type 1, Except					
B & C Model (With Praco-Lubrite Cyl Stud Nuts & 11/16" Studs)					
A	732GB 2672	HEAD ASSY, Cyl (4)			
K	12GC 113P1*	INSERT, Nozzle Holder (Std.) (8)			
K	12GC 113P16*	INSERT, Nozzle Holder (.016 Oversize )(8)			
K	12GC 113P24*	INSERT, Nozzle Holder (.024 Oversize (8)			
L	553GB 3214B	GASKET(4)			
M	610GC 1124	STUD, (Short-Inner)(16)			
M	610GC 1126	STUD, (Short-Out Stainless Steel)(16)			
N	610GC 1114	STUD, (Long )(8)			
P	142GC 155	NUT, 11/16-16			
Q	711GC 1100P5	WASHER, 11/16 ID (40)			
AB	446GC 193A	SEAL, Inl Vlv Gd Shield (8)			
AC	616GC 141	STUD, Exh Man (8)			
<u>CYLINDER HEAD &amp; VALVES (Type 1E)</u>					
Same as Type 1, Except					
F Model- Turbocharge					
A	732GB 2672	HEAD ASSY, Cyl (4)			
K	12GC 113P1*	INSERT, Nozzle Holder (Std)(8)			
K	12GC 113P16*	INSERT, Nozzle Holder (.016 Oversize )(8)			
K	12GC 113P24*	INSERT, Nozzle Holder (.024 Oversize )(8)			
L	553GB 3214B	GASKET(4)			
M	610GC 1124	STUD(short )(16)			
M	610GC 1126	STUD(Short-Stainless Steel) (16)			
N	610GC 1114	STUD(Long)(8)			
P	142GC 155	NUT, 11/16-16 NF (36)			
P	142GC 154	NUT, 11/16-16 NF (3)			
Q	711GC 1100P5	WASHER, 11/16 ID (40)			
Y	722GC 158	WASHER, Inl Vlv Sprg (8)			
Z	722GC 152	WASHER, Inl Vlv Sprg (8)			
AA	494GC 16D	SHIELD, Inl Vlv Gd (8)			
AB	446GC 193A	SEAL, Inl Vlv Gd Shield (8)			
AC	616GC 142	STUD, Exh Man (8)			

\* Optional



11-72-148



KEY	PART NUMBER	DESCRIPTION	NO. REQ.
		ENGINE WATER OUTLET (Type 1) C, B & F Model (Heat Exchanger Water Connection in R.H. Water Manifold)	
A	439GB 249	ELBOW, Water Outlet By-Pass (R.H.)	1
B	56AX 391	Attaching Parts:	
C	6AX 1177	GASKET	1
D		SCREW, cap, (5/16-18 NC x 2-1/2)	2
E	160AX 482	WASHER, Lock, 5/16 I.D. (36AX 22)	2
F	83AX 452	HOSE, Water Outlet By-Pass Elbow (R.H.)	1
G	447GC 164	CLAMP, Water Outlet By-Pass Elbow Hose (R.H.)	2
H	439GB 248	SEAL, Thermostat (R.H.)	1
		FITTING, Water Outlet (R.H.)	1
J	56AX 391	Attaching Parts:	
K		GASKET	1
L	657GC 134P2	PLUG, Sq. c/s iron 3/4 NPT Water Outlet Fitting (63AX 27)	2
M	107GC 495	THERMOSTAT (170°) (R.H.)	1
N	107GC 496	MANIFOLD, Water Outlet (Right Bank)	1
		MANIFOLD, Water Outlet (Left Bank)	1
P	56AX 387	Attaching Parts:	
Q	6AX 1154	GASKET	4
R	37AX 1	SCREW	8
S		WASHER, Plain (21/64 I.D.)	8
T		PLUG, Sq. c/s iron 1/2 NPT Water Outlet Manifold (Side) (63AX 51)	4
		PLUG, Sq. c/s iron 3/4 NPT, Water Outlet Manifold (Rear) (63AX 27)	2
U	439GB 250	ELBOW, Water Outlet By-Pass (L.H.)	1
V	56AX 391	Attaching Parts:	
W	6AX 1177	GASKET	1
X		SCREW, cap (5/16-18 NC x 2-1/2)	2
Y	160AX 482	WASHER, Lock, 5/16 I.D. (36AX 22)	2
Z	83AX 452	HOSE, Water Outlet By-Pass Elbow (L.H.)	1
AA		CLAMP, Water Outlet By-Pass Elbow Hose (L.H.)	2
AB	447GC 164	PLUG, hex. c/s iron 3/8 NPT, Water Outlet By-Pass Elbow (63AX 112)	2
		SEAL, Thermostat (L.H.)	1

IK

10/15/63 mes-ew

MACK TRUCK-TRACTOR PARTS BOOK

TITLE ENGINE WATER OUTLET

GROUP 864

SECTION BCL  
(Continued)

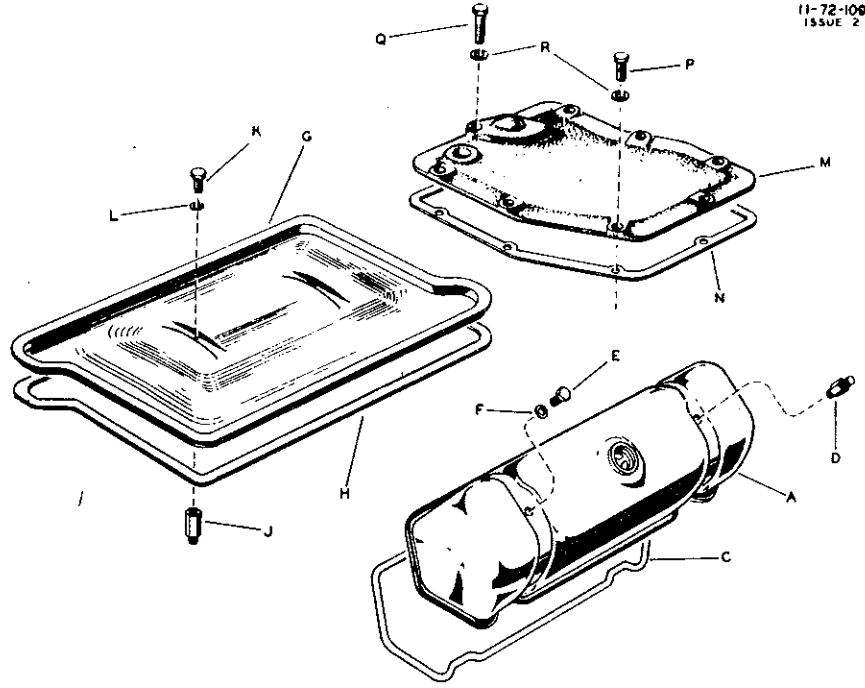
KEY	PART NUMBER	DESCRIPTION	NO. REQ.
<u>ENGINE WATER OUTLET (Type 1)(Cont.)</u>			
AC	439GB 248	FITTING, Water Outlet (L.H.)	1
		Attaching Parts:	
AD	56AX 391	GASKET	1
AE	657GC 134	THERMOSTAT (170°)(L.H.)	1
<u>ENGINE WATER OUTLET (Type 1A)</u>			
Same as Type 1, Except			
B Model(Heat Exchanger Water Connection on L.H. Water Manifold)			
U	439GB 249	ELBOW, Water Outlet By-Pass (L.H.)	1



TITLE VALVE MECHANISM COVERS

Quantity used is 1 unless otherwise specified in brackets ( ).

KEY	PART NUMBER	DESCRIPTION	KEY	PART NUMBER	DESCRIPTION
-----	-------------	-------------	-----	-------------	-------------



VALVE MECHANISM COVERS (Type 1)  
C & B Model

A	337GB 351P1	COVER COMP, Cyl Hd (4) Att Parts:
C	554GB 27	GASKET (4)
D	421GC 137	SCREW, Overboard Bthr (2)
E	4AX 58	SCREW, 3/8-16 NC (6)
F	37AX 7	WASHER, 25/64 ID (8)
G	358GB 355B	COVER, Vlv Lifter (Ctr) Att Parts:
H	601GB 33A	GASKET
J	421GB 124	SCREW, Spacer (2)
K	1AX 33	SCREW, 3/8-24 NF (2)
L	37AX 7	WASHER, 25/64 ID (2)
M	358GB 233	COVER, Vlv Lifter (Rr) Att Parts:
N	601GB 210	GASKET
P	4AX 1	SCREW, 3/8-16 NC (7)
Q	4AX 3	SCREW, 3/8-13 NC
R	37AX 438	WASHER, (25/64 ID)(8)

VALVE MECHANISM COVERS (Type 1A)  
Same as Type 1, Except  
F Model

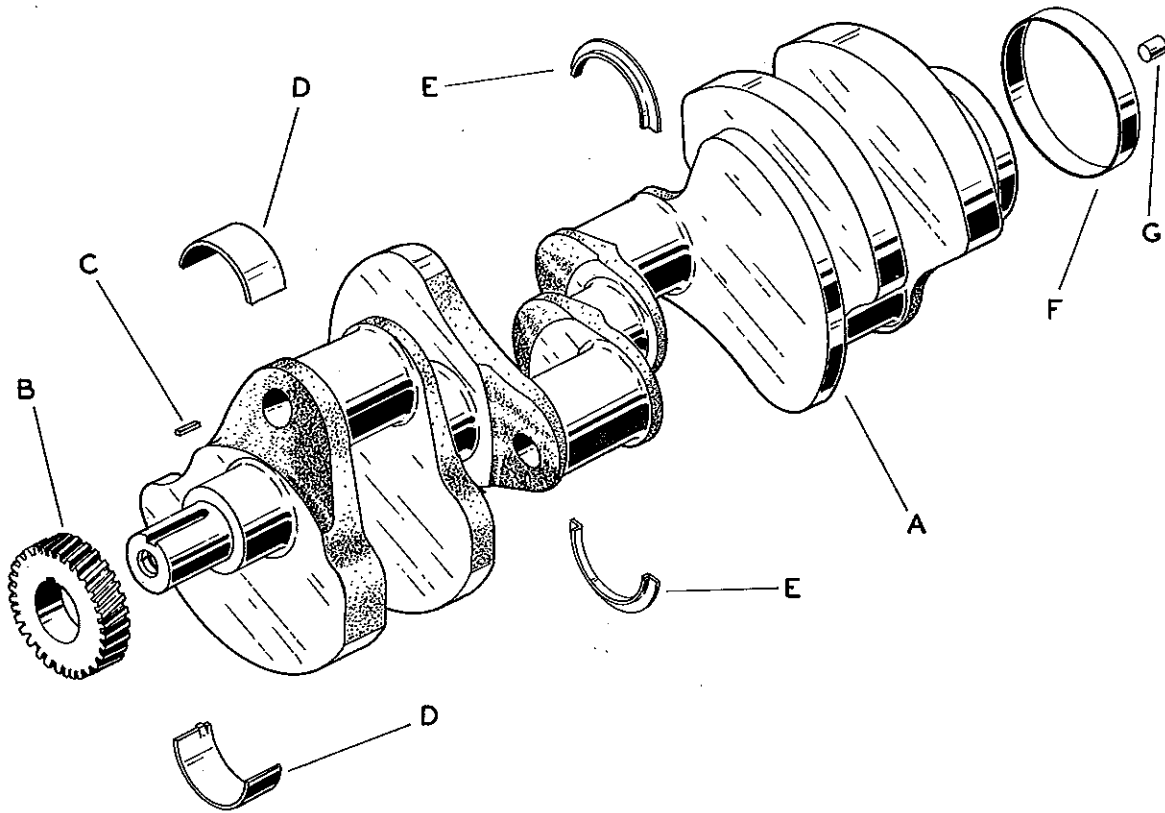
M	358GB 161	COVER, Vlv Lifter (Rr)
---	-----------	------------------------

VALVE MECHANISM COVERS (Type 1B)  
F Model- Turbocharge

M	358GB 396	COVER COMP, Vlv Lifter (Rr) Includes:
M-1	681GC 120	TUBE, Turbocharger Oil Drain
N	590GB 241	GASKET
P	4AX 41	SCREW, 3/8-16 NC (7)
Q	4AX 41	SCREW, 3/8-16 NC
R	36AX 3	WASHER, 3/8 ID (8)



11-72-108

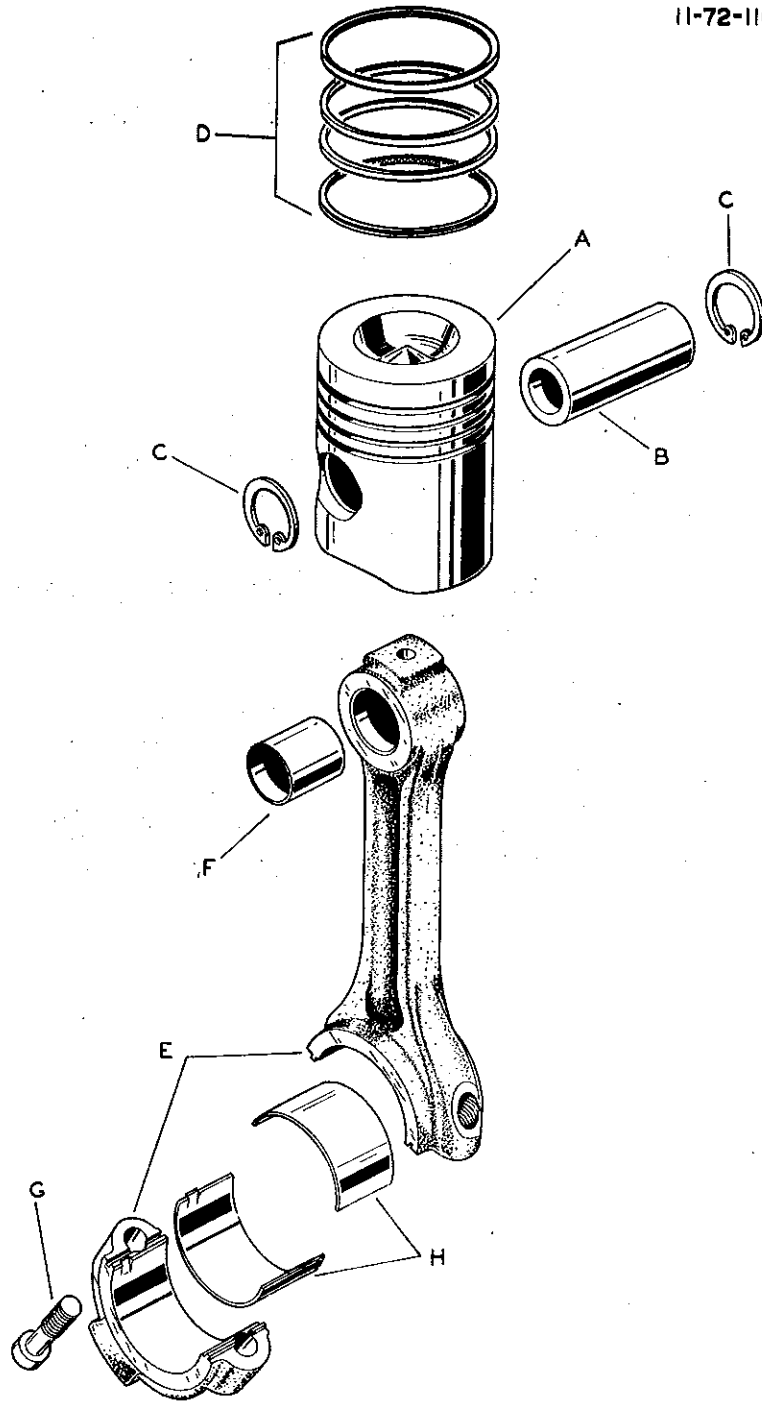


CRANKSHAFT & MAIN BEARINGS

KEY	PART NUMBER	DESCRIPTION	NO. REQ.
<u>CRANKSHAFT MAIN BEARINGS - TYPE I</u> B & F Model			
A	456GC 1127	CRANKSHAFT & BEARING KIT Consists of: CRANKSHAFT, Std. Size Main & Rod Bearings & RING, Crankshaft Flange Wear	1
(F)	532GC 110	RING, Crankshaft Flange Wear	1
B	670GB 226	GEAR, Crankshaft	1
C	42AX 620	Attaching Parts: KEY	
D	64GBA 11317P1	BEARING PAIR, Crankshaft Main (Standard)	1
D	64GBA 11317P2	BEARING PAIR, Crankshaft Main (.002 Undersize)	5
D	64GBA 11317P10	BEARING PAIR, Crankshaft Main (.010 Undersize)	5
D	64GBA 11317P20	BEARING PAIR, Crankshaft Main (.020 Undersize)	5
D	64GBA 11317P30	BEARING PAIR, Crankshaft Main (.030 Undersize)	5
D	64GBA 11317P40	BEARING PAIR, Crankshaft Main (.040 Undersize)	5
D	64GBA 11317P50	BEARING PAIR, Crankshaft Main (.050 Undersize)	5
D	64GBA 11317P60	BEARING PAIR, Crankshaft Main (.060 Undersize)	5
D	215SB 46P1	BEARING KIT, Crankshaft Main (Standard)	1
D	215SB 46P2	BEARING KIT, Crankshaft Main (.010 Oversize)	1
D	215SB 46P3	BEARING KIT, Crankshaft Main (.020 Oversize)	1
E	714GCA 172P1	WASHER PAIR, Crankshaft Thrust (Standard Thin)	2
E	714GCA 172P2	WASHER PAIR, Crankshaft Thrust (Standard Thick)	2
E	714GCA 172P12	WASHER PAIR, Crankshaft Thrust (.012 Oversize)	2
F	532GC 110	RING, Crankshaft Flange Wear	1
G	31AX 559	DOWEL, Crankshaft to Flywheel	1



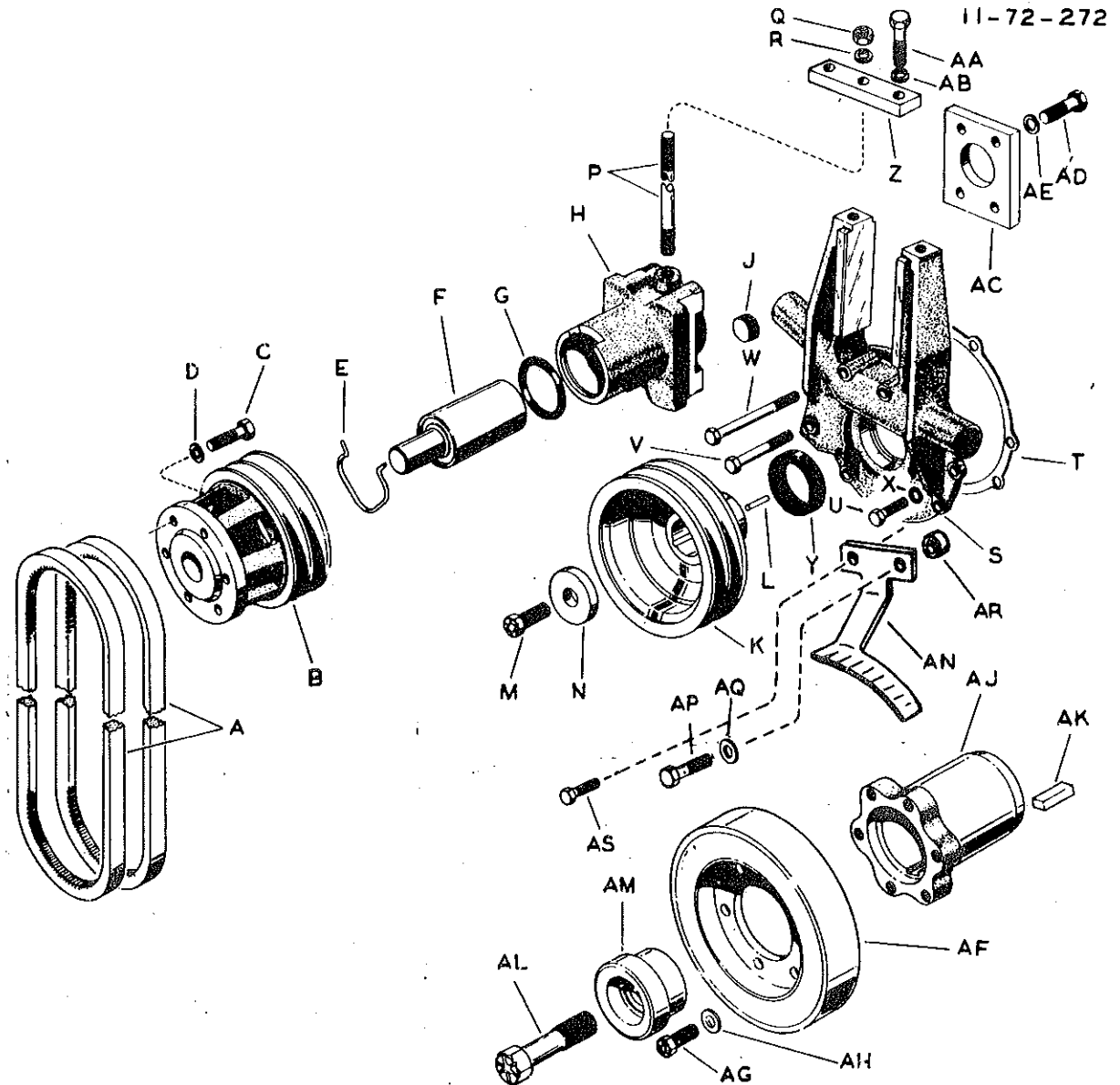
11-72-110



KEY	PART NUMBER	DESCRIPTION	NO. REQ.
		<u>PISTONS, PINS, RINGS &amp; CONNECTING RODS (Type 1)</u> C. B & F Model	
A	240GCA 1508P1	PISTON KIT (Standard)	8
B	182GC 1339F3	Each Includes: PIN, Wrist (Standard)	1
C	97AX 207	RETAINER, Wrist Pin	2

IK

KEY	PART NUMBER	DESCRIPTION	NO. REQ.
<u>PISTONS, PINS, RINGS &amp; CONNECTING RODS (Type 1)(Cont.)</u>			
A	240GCA 1508P10	PISTON KIT (.010 Oversize)	8
A	240GCA 1508P20	PISTON KIT (.020 Oversize)	8
A	240GCA 1508P30	PISTON KIT (.030 Oversize)	8
B	182GC 1339P3	Each Includes: PIN, Wrist (Standard)	1
C	97AX 207	RETAINER, Wrist Pin	2
(B)	182GC 1339P1	PIN, Wrist (.0002 Oversize)	8
(B)	182GC 1339P5	PIN, Wrist (.005 Oversize)	8
D	353GC 1574P1	RING SET, Individual Piston (Standard)	3
D	353GC 1574P1C	RING SET, Individual Piston (.010 Oversize)	1
D	353GC 1574P20	RING SET, Individual Piston (.020 Oversize)	1
D	353GC 1574P30	RING SET, Individual Piston (.030 Oversize)	1
D	353GC 1575P1	RING SET, Piston (Standard)	1
D	353GC 1575P10	RING SET, Piston (.010 Oversize)	1
D	353GC 1575P20	RING SET, Piston (.020 Oversize)	1
D	353GC 1575P30	RING SET, Piston (.030 Oversize)	1
E	367GCA 3108 A	ROD ASSEMBLY, Connecting (Less Bearings)(8.130 lbs.) Includes: BUSHING, Connecting Rod SCREW, Connecting Rod	8
F	187GB 130	BUSHING, Connecting Rod	8
G	396GC 127P1	SCREW, Connecting Rod	16
H	62GB 1339P1	BEARING PAIR, Connecting Rod (Std.)	8
H	62GB 1339P2	BEARING PAIR, Connecting Rod (.002 Undersize)	8
H	62GB 1339P10	BEARING PAIR, Connecting Rod (.010 Undersize)	8
H	62GB 1339P20	BEARING PAIR, Connecting Rod (.020 Undersize)	8
H	62GB 1339P30	BEARING PAIR, Connecting Rod (.030 Undersize)	8
H	62GB 1339P40	BEARING PAIR, Connecting Rod (.040 Undersize)	8
H	62GB 1339P50	BEARING PAIR, Connecting Rod (.050 Undersize)	8
H	62GB 1339P60	BEARING PAIR, Connecting Rod (.060 Undersize)	8

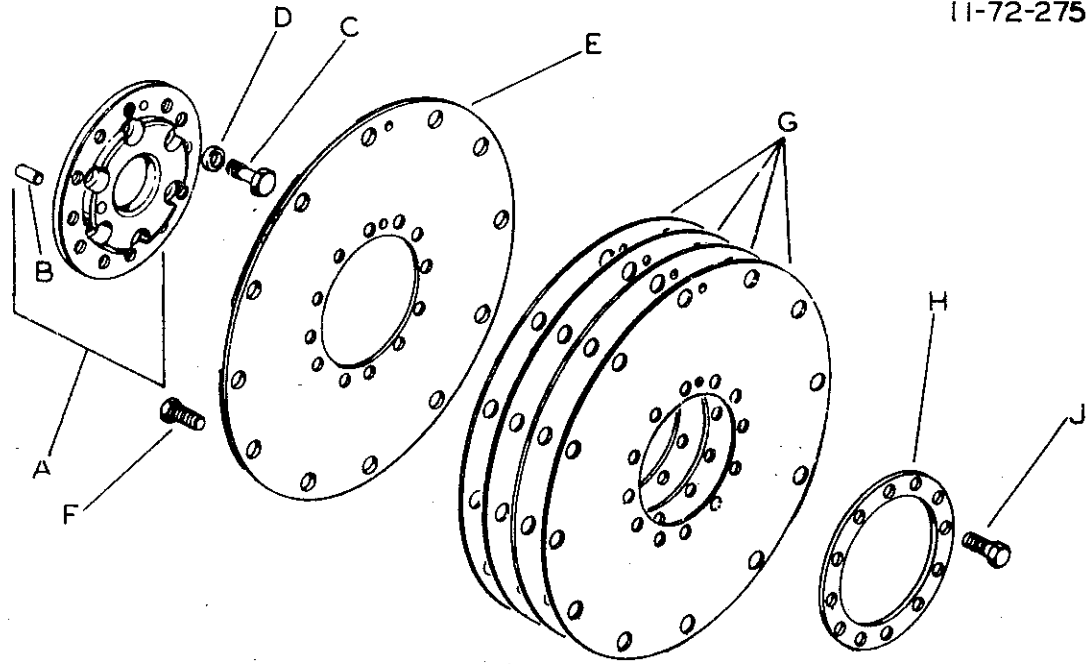


KEY	PART NUMBER	DESCRIPTION	NO. REQ.
<u>VIBRATION DAMPER, HUB &amp; FAN DRIVE (Type 3)</u> (Vibration Damper Timing)			
A	88GB 164	BELT SET, Fan Drive	1
B	302GC 3122	PULLEY, Fan Driven	1
C		Attaching Parts:	
D		SCREW (See Group 1)	
E		WASHER (See Group 1)	
F	97AX 209	RETAINER, Fan Driven Pulley Shaft & Unit Bearing	1
G	471GC 114	BEARING, Fan Driven Pulley Shaft & Unit	1
H	56AX 324	SEAL, Fan Driven Pulley Shaft & Unit Bearing "O" Ring	1
J	841GB 212	HOUSING, Fan Drive	1
K	302GC 2211	PLUG, Sq. c/s Iron 1/2 NPT, Fan Drive Housing (63AX 51)	1
L		PULLEY, Fan Driving	1
M		Attaching Parts:	
N	42AX 515	KEY	1
	3AX 1367	SCREW, Fan Driving Pulley	1
	711GC 170	WASHER, Fan Driving Pulley	1

IK

KEY	PART NUMBER	DESCRIPTION	NO. REQ.
		<u>VIBRATION DAMPER, HUB &amp; FAN DRIVE (Type 3)(Cont.)</u>	
P	16AX 813	STUD, Fan Drive Housing Adjusting	1
		Attaching Parts:	
Q	21AX 313	NUT, 3/8-24	1
R	37AX 7	WASHER, Plain (.3906 I.D.)	1
S	134GB 47	BRACKET, Fan Drive	1
		Attaching Parts:	
T	590GB 238	GASKET	1
U		SCREW, cap, 5/16-18 NC x 1 (7/8"thd.)(4AX 5)	2
V		SCREW, cap, 5/16-18 NC x 2-1/4 (7/8"thd.)(4AX 109)	1
W		SCREW, cap, 5/16-18 NC x 4 (7/8"thd.)(4AX 287)	2
X		WASHER, Lock, 5/16 I.D.(36AX 22)	6
Y	446GC 1110	SEAL, OIL, Fan Drive Bracket	1
Z	270GB 186	SUPPORT, Fan Drive Housing & Bracket Adjustment	1
		Attaching Parts:	
AA		SCREW, cap, 3/8-16 NC x 1-1/4 (1"thd.)(4AX 16)	2
AB		WASHER, Lock, 3/8 I.D.(36AX 3)	2
AC	253GC 1274	CLAMP, Fan Drive Housing & Bracket	1
		Attaching Parts:	
AD		SCREW, cap, 7/16-14 NC x 1-1/2 (1-1/8"thd.)(4AX 140)	4
AE		WASHER, Lock, 7/16 I.D.(36AX 4)	4
AF	404GB 3136	DAMPER, Vibration	1
		Attaching Parts:	
AG	6AX 817	SCREW	6
AH	711GC 134	WASHER, Plain	6
AJ	788GB 274	HUB, Vibration Damper	1
		Attaching Parts:	
AK	42AX 547	KEY (1/4 x 3/8"L.)	1
AL	436GC 19	SCREW, Vibration Damper Hub to Crankshaft	1
AM	710GC 135	WASHER, Vibration Damper Hub to Crankshaft	1
AN	796GB 270	INDICATOR, Timing	1
		Attaching Parts:	
AP	6AX 1162	SCREW (Top)	1
AQ	37AX 68	WASHER, Plain	1
AR	35AX 667	SPACER	1
AS		SCREW, cap, 5/16-18 NC x 1 (7/8"thd.)(Bottom)(4AX 5)	1

11-72-275

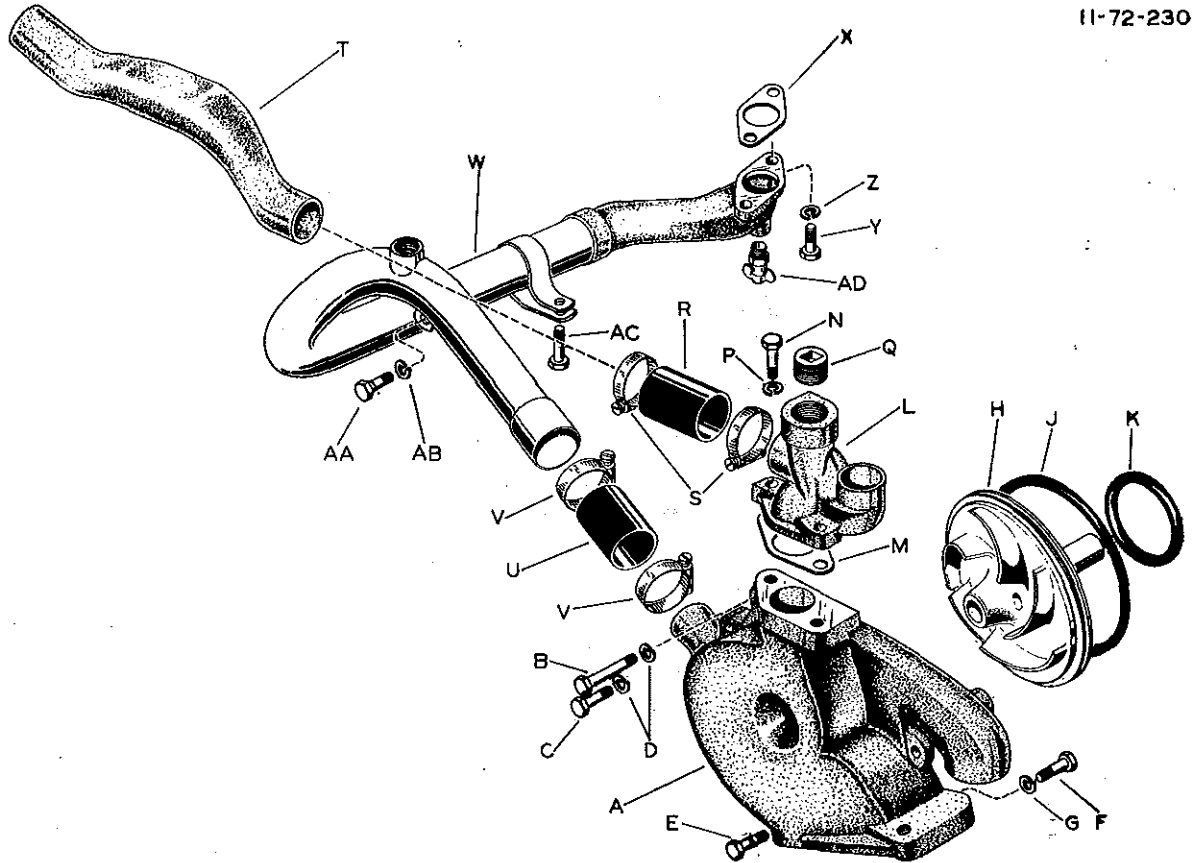


KEY	PART NUMBER	DESCRIPTION	NO. REQ.
		<u>FLYWHEEL (Type 2)</u> (Vibration Damper Timing With Torque Converter)	
A	320GBA 1107	FLANGE ASSEMBLY, Torque Converter Drive Includes:	1
B	31AX 558	PIN, Locating	1
C	419GC 19	Attaching Parts: SCREW	6
D	711GC 133A	WASHER	6
E	18HD 42	FLEXIBLE DISC, Torque Converter Attaching Parts:	1
F	3AX 1367	SCREW	12
G	18HD 43	FLEXIBLE DISC, Flywheel	4
H	682HB 25	PLATE, Flywheel Flexible Disc Attaching Parts:	1
J	3AX 1366	SCREW	12

IK

WATER PUMP

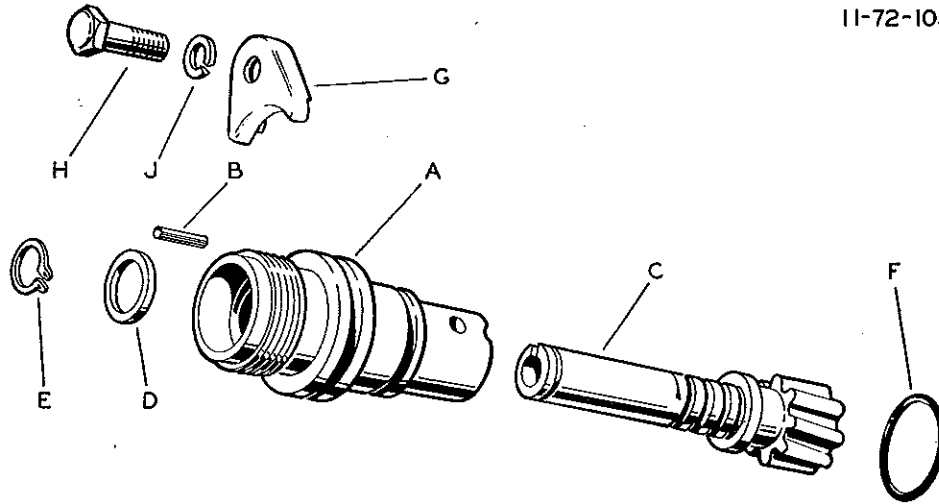
11-72-230



KEY	PART NUMBER	DESCRIPTION	NO. REQ.
		WATER PUMP (Type 1) B Model (Belt Drive Fan)	
A	771GB 474	HOUSING; Water Pump	1
B		Attaching Parts:	
C		SCREW, cap, 3/8-16 NC x 3-1/2 (1"thd.) to Cylinder (4AX 250)	1
D		SCREW, cap, 3/8-16 NC x 1-1/2 (1"thd.) (Front) (4AX 3)	1
E		WASHER, Lock, 3/8 I.D. (Frnt) (36AX 3)	1
F	6AX 870	SCREW, Water Pump Housing to Timing Gear Cover	1
G		SCREW, cap, 3/8-16 NC x 1-1/4 (1"thd.) Timing Gear Cover to Housing (4AX 16)	1
H	316GCA 1151	WASHER, Lock, 3/8 I.D. (36AX 3)	1
J	446GC 159	PUMP ASSEMBLY, Water	1
K	446GC 1102	(For Components, see back of Group)	
L	493GB 384	SEAL, Water Pump Housing to Cover	1
M	56AX 390	SEAL, Water Pump Cover (Inner)	1
N		FITTING, Water Pump By-Pass Tube	1
P		Attaching Parts:	
Q		GASKET	1
R	160AX 482	SCREW, cap, 3/8-16 NC x 1-1/4 (1"thd.) (4AX 16)	2
S	83AX 452	WASHER, Lock, 3/8 I.D. (36AX 3)	2
T	---	PLUG, sq. c/s iron 1" NPT Water Pump By-Pass Fitting Pipe (63AX 846)	1
U		HOSE, Water Pump By-Pass Fitting to Fan Bracket	1
		CLAMP, Water Pump By-Pass Fitting to Fan Bracket Hose	2
		TUBE, Water Pump By-Pass (Part of Fan Drive Bracket) (See Group 864-Section CD2)	
		HOSE, Neoprene 2 I.D. x 2-1/2"L. 15/64-9/32 wall, 3 Ply, Water Pump Housing to Cylinder Water Inlet Tube (160AX 391)	1

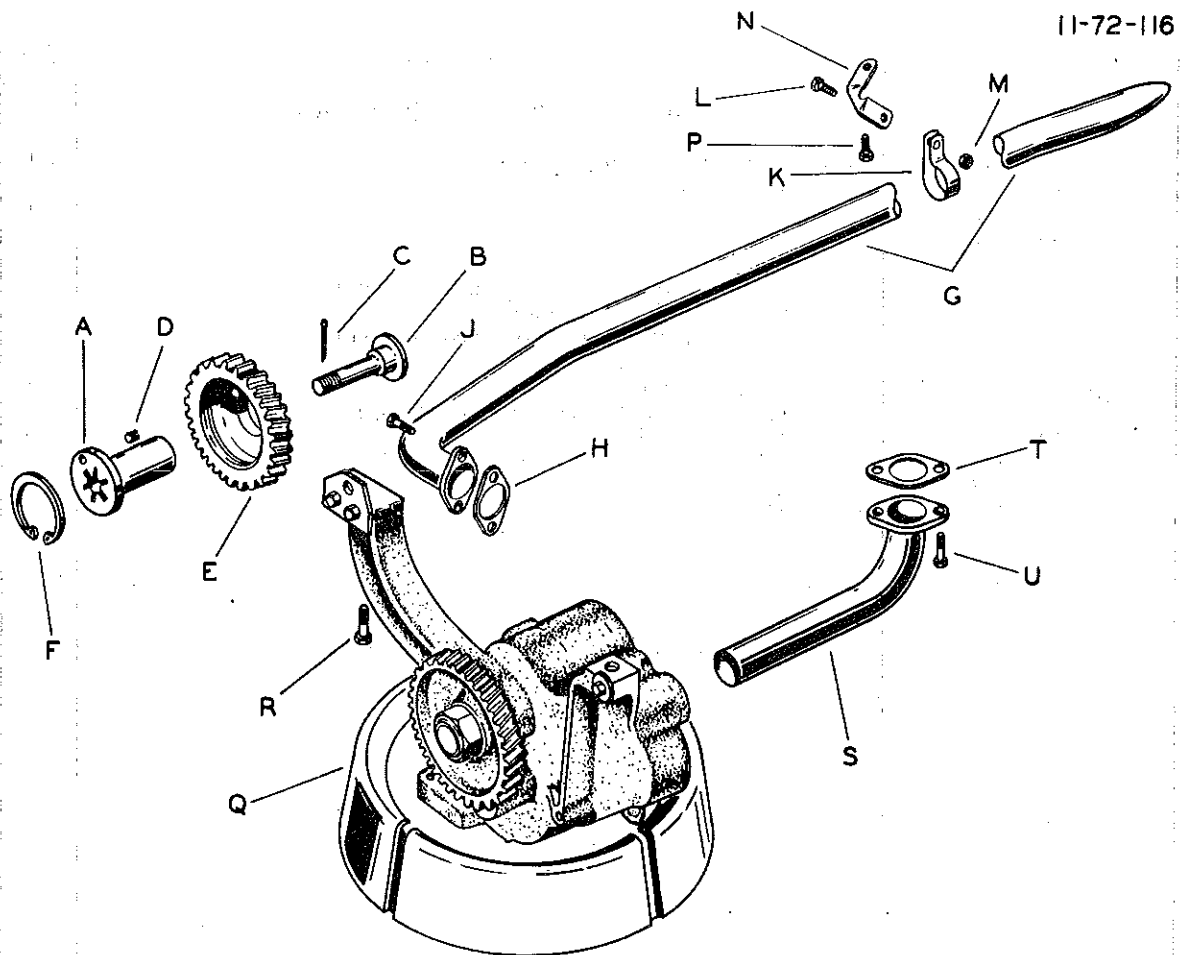
KEY	PART NUMBER	DESCRIPTION	NO. REQ.
		<u>WATER PUMP (Type 1)(Cont.)</u>	
V	83AX 453	CLAMP, Water Pump Housing to Cylinder Water Inlet Tube Hose	2
W	227GC 378	TUBE COMPLETE, Cylinder Water Inlet	1
		Attaching Parts:	
X	56AX 174	GASKET	1
Y		SCREW, cap, 3/8-16 NC x 1 (Full thd.)(At Fitting)(4AX 1)	2
Z		WASHER, Lock, 3/8 I.D.(36AX 3)	2
AA		SCREW, cap, 3/8-16 NC x 2-1/4 (1"thd.) to Gear Cover (4AX 124)	1
AB		WASHER, Lock, 3/8 I.D.(36AX 3)	1
AC	6AX 847	SCREW, Lock, to Cylinder	1
AD	61AX 54	VALVE, Cylinder Water Inlet Tube Fitting Drain	1
		<u>WATER PUMP (Type 1A)</u> Same as Type 1, Except B & F Model (Direct Drive Fan)	
T	227GC 245	TUBE, Water Pump By-Pass	1
		<u>WATER PUMP (Type 1B)</u> Same as Type 1, Except B Model (Belt Drive Fan & Plugged By-Pass Fitting)	
L	493GB 1112	FITTING, Water Pump By-Pass Tube	1

11-72-105



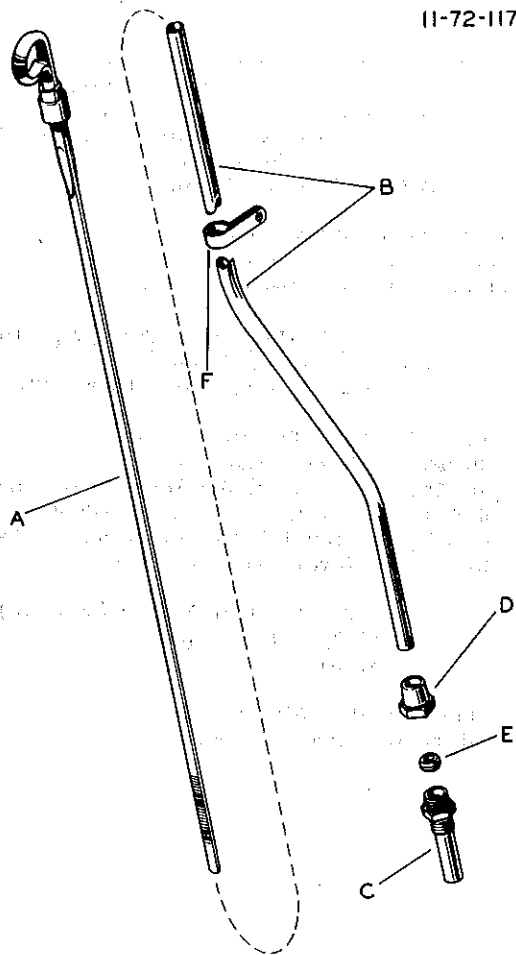
KEY	PART NUMBER	DESCRIPTION	NO. REQ.
		<u>TACHOMETER DRIVE</u> (Type 1) B & F Model	
A	769GB 110	HOUSING, Tachometer Drive	1
		Attaching Parts:	
B	31AX 561	PIN	1
C	465GC 110	SHAFT, Tachometer Drive	1
D	35AX 1358	WASHER, Tachometer Drive Shaft	1
E	97AX 59	RING, Tachometer Drive Shaft Retaining	1
F	446GC 192	SEAL, "O" RING, Tachometer Drive Housing	1
G	273GB 110	CLAMP, Tachometer Drive	1
		Attaching Parts:	
H		SCREW, cap, 5/16-18 NC x 1 (7/8"thd.)(4AX 5)	1
J		WASHER, Lock, 5/16 I.D.(36AX 22)	1





KEY	PART NUMBER	DESCRIPTION	NO. REQ.
<b>OIL PUMP &amp; OIL INLET (Type 1)</b> B Model(Front Sump-Inaccessible Safety Valve)			
A	487GC 16	SHAFT, Oil Pump Drive Idler Gear	1
B	435GC 16	Attaching Parts: SCREW	1
C		COTTER PIN, stl. 3/32 x 1 (29AX 3)	1
D	31AX 554	PIN, ROLL, Oil Pump Drive Idler Gear Shaft	1
E	677GB 114	GEAR, Oil Pump Drive Idler	1
F	97AX 208	RING, Oil Pump Drive Idler Gear Retaining	1
G	211GC 363	TUBE COMPLETE, Oil Pump Inlet (Scavenge)	1
H	590GB 1181	Attaching Parts: GASKET, At Flange	1
J	6AX 1146	SCREW, At Flange	2
K	83AX 517	CLAMP, Oil Pump Inlet Tube Bracket(Scavenge)	1
L		Attaching Parts: SCREW, cap, 3/8-24 NF x 1 (Full thd.)(1AX 35)	1
M	21AX 313	NUT	1
N	177GB 18	BRACKET, Oil Pump Inlet Tube (Scavenge)	1
P	6AX 1157	Attaching Parts: SCREW	1
Q	315GCA 365	PUMP ASSEMBLY, Oil (For Components, see back of Group)	1
R	6AX 1190	Attaching Parts: SCREW, Oil Pump Housing to Cylinder Block	2
R-1	711GC 134	WASHER, Lock	2

KEY	PART NUMBER	DESCRIPTION	NO. REQ.
		<u>OIL PUMP &amp; OIL INLET (Type 1)(Cont.)</u>	
S	210GC 228	TUBE COMPLETE, Oil Pump Outlet	1
T	56AX 385	Attaching Parts: GASKET	1
U	6AX 1151	SCREW	2
		<u>OIL PUMP &amp; OIL INLET (Type 1A)</u> Same as Type 1, Except C, B & F Model (Front Sump-Accessible Safety Valve)	
Q	315GCA 393	PUMP ASSEMBLY, Oil (For Components, see back of Group)	1
S	210GC 243	TUBE, Complete, Oil Pump Outlet	1
T	590GB 1248	GASKET, (At Cylinder Block)	1
T	56AX 417	GASKET, (at Oil Pump Housing)	1
U	6AX 1151	SCREW	4

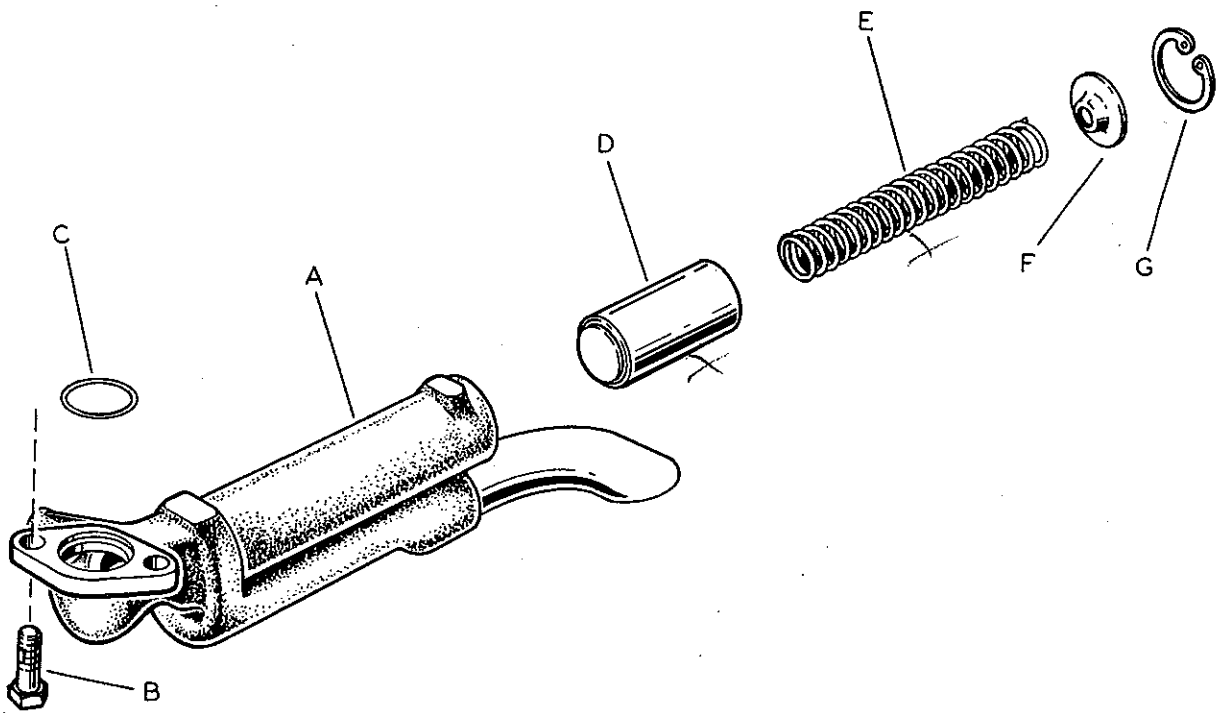


KEY	PART NUMBER	DESCRIPTION	NO. REQ.
<u>OIL LEVEL INDICATOR (Type 1)</u> C & B Model			
A	795GB 2164P1	INDICATOR COMPLETE, Oil Level	1
B	715GB 315P1	GUIDE, Oil Level Indicator	1
C	32GB 134	ADAPTER, (5/8-18 NF) Oil Level Indicator Guide	1
D	63AX 1466	NUT, Oil Level Indicator Guide Adapter	1
E	52AX 2	SLEEVE, Oil Level Indicator Guide Adapter	1
F	25GB 1111	CLAMP, Oil Level Indicator Guide	1
<u>OIL LEVEL INDICATOR (Type 1A)</u> Same as Type 1, Except F Model (Rear Sump)			
A	795GB 2172P1	INDICATOR COMPLETE, Oil Level	1
B	---	* GUIDE, Oil Level Indicator	
C	32GB 149	ADAPTER, (5/8-18 NF) Oil Level Indicator Guide	1
F	---	* CLAMP, Oil Level Indicator Guide	
<u>OIL LEVEL INDICATOR (Type 1B)</u> Same as Type 1, Except F Model (Front Sump)			
A	795GB 2177P2	INDICATOR COMPLETE, Oil Level	1
B	---	* GUIDE, Oil Level Indicator	
C	32GB 155	ADAPTER, (1/2-13 NC) Oil Level Indicator Guide	1
D	63AX 355	NUT, Oil Level Indicator Guide Adapter	1
E	52AX 5	SLEEVE, Oil Level Indicator Guide Adapter	1
F	---	* CLAMP, Oil Level Indicator Guide	1
*(See Group 1C)			

IK

KEY	PART NUMBER	DESCRIPTION	NO. REQ.
		<u>OIL LEVEL INDICATOR (Type 1C)</u> "U" Model Same as Type 1, Except	
A	795GB 2184	INDICATOR COMPLETE, Oil Level	1
B	715GB 239	GUIDE, Oil Level Indicator	1
F	--- *	CLAMP, Oil Level Indicator Guide	
		<u>OIL LEVEL INDICATOR (Type 1D)</u> Same as Type 1, Except F Model (Front Sump, Bottle Stopper Design)	
A	795GB 2190P2	INDICATOR COMPLETE, Oil Level	1
B	--- *	GUIDE, Oil Level Indicator	1
C	32GB 155	ADAPTER, (1/2-13 NC) Oil Level Indicator Guide	1
D	63AX 355	NUT, Oil Level Indicator Guide Adapter	1
E	52AX 5	SLEEVE, Oil Level Indicator Guide Adapter	1
F	--- *	CLAMP, Oil Level Indicator Guide	1
		<u>OIL LEVEL INDICATOR (Type 1E)</u> Same as Type 1, Except C Model	
A	795GB 2164P2	INDICATOR COMPLETE, Oil Level	1
B	715GB 315P2	GUIDE, Oil Level Indicator	1
		(*See Group 1C)	

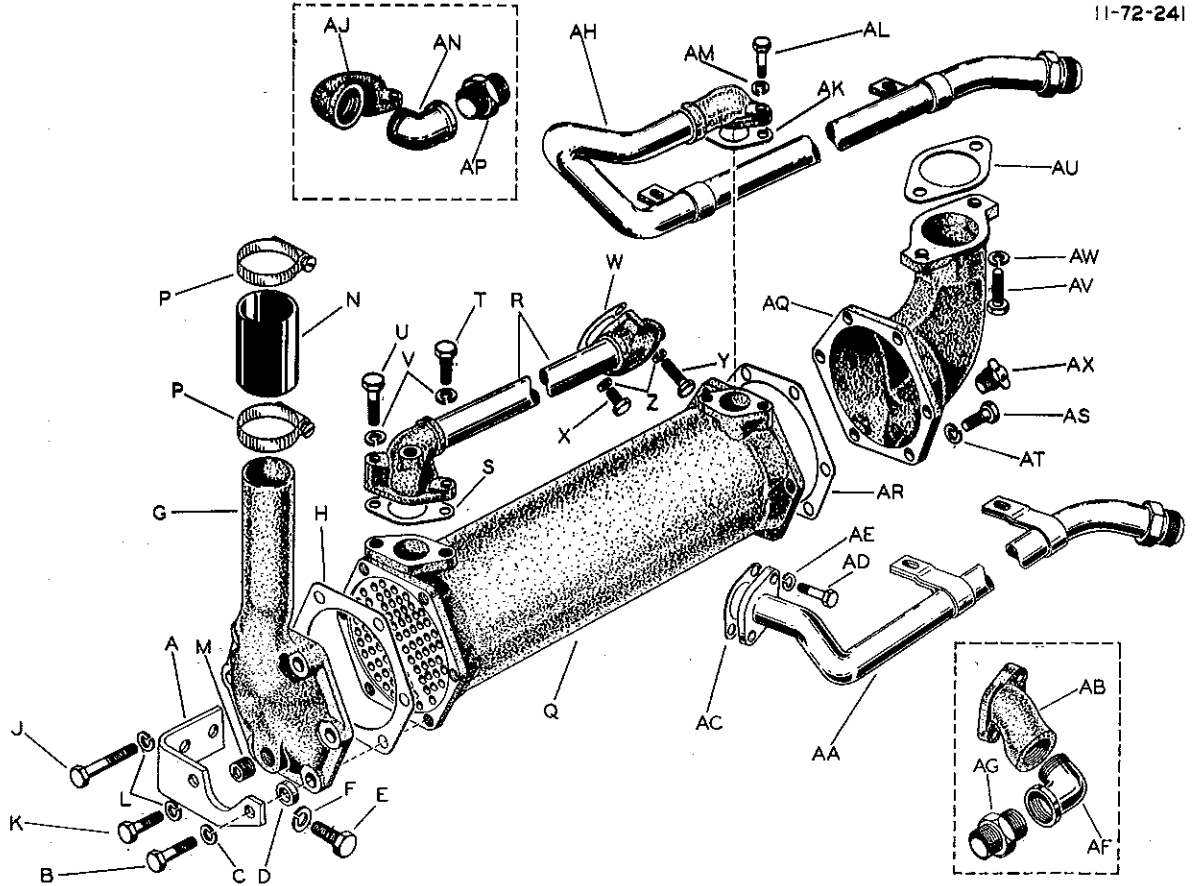
11-72-118



KEY	PART NUMBER	DESCRIPTION	NO. REQ.
		<u>OIL PRESSURE RELIEF VALVE (Type 1)</u> B & F Model (Front Oil Sump)	
A	766GB 216	HOUSING COMPLETE, Oil Pressure Relief Valve (Front Oil Pump)	1
B	6AX 1151	Attaching Parts: SCREW, Lock	2
C	446GC 196	SEAL, Oil Pressure Relief Valve Housing to Cylinder	1
D	296GC 121	PLUNGER, Oil Pressure Relief Valve	1
E	572GC 110	SPRING, Oil Pressure Relief Valve	1
F	711GC 152	WASHER, Oil Pressure Relief Valve Spring	1
G	97AX 108	RETAINER, Oil Pressure Relief Valve Spring Washer	1
		<u>OIL PRESSURE RELIEF VALVE (Type 1A)</u> Same as Type 1, Except F Model (Rear Oil Sump)	
A	766GB 27	HOUSING, Oil Pressure Relief Valve (Rear Oil Sump)	1

IK

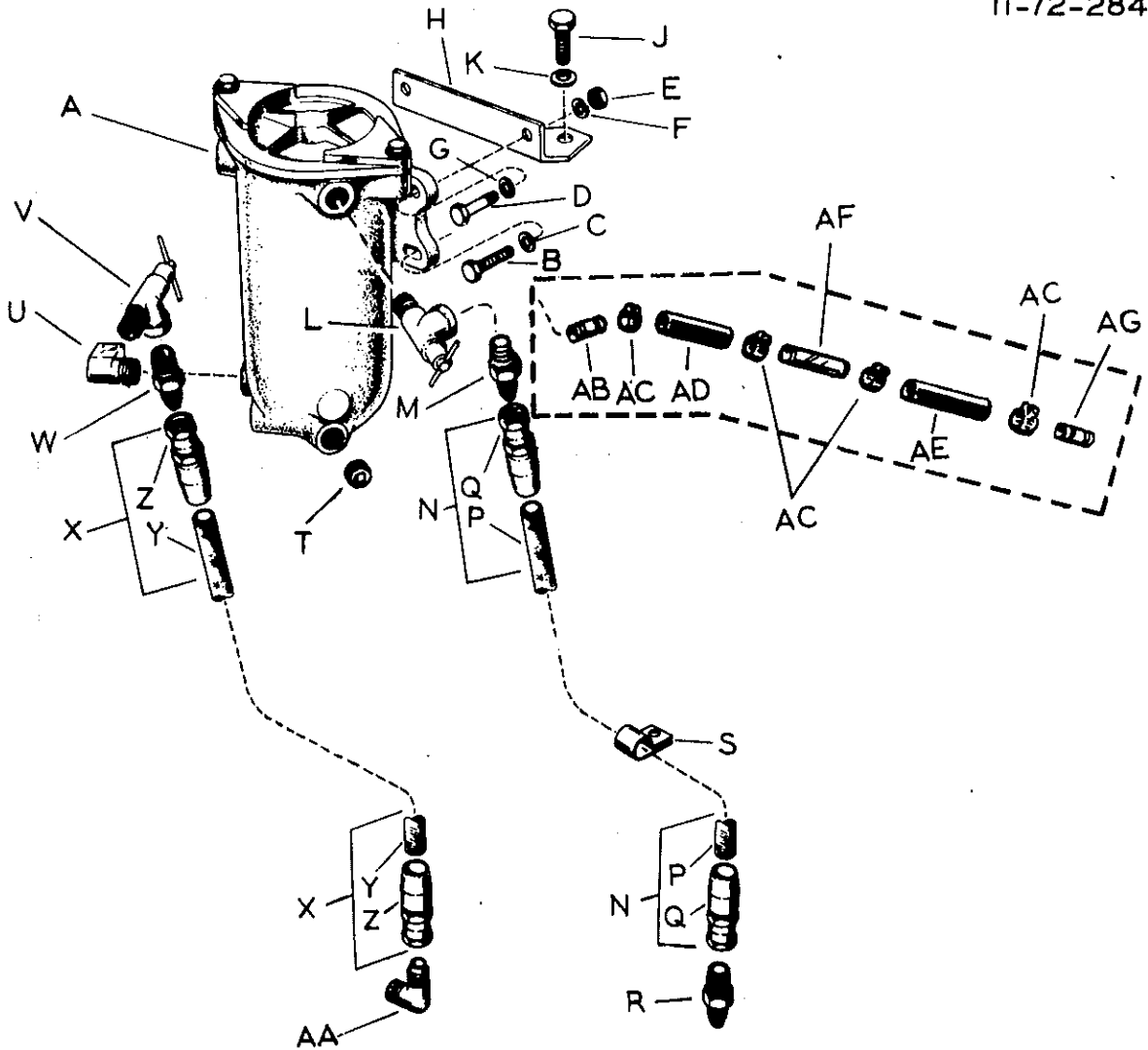
11-72-241



KEY	PART NUMBER	DESCRIPTION	NO. REQ.
		OIL COOLER (Type 1)	
		F Model (Front Oil Filter Mount)	
A	143GB 16	BRACKET, Oil Cooler (Front)(At Cylinder)	1
B		Attaching Parts:	
C		SCREW, cap, 5/16-18 NC x 1-1/4 (7/8"thd.)At Cooler(4AX 130)	2
D		WASHER, Lock, 5/16 I.D.(36AX 22)	2
E	37AX 193	WASHER, Spacer, .3594 I.D.	2
F		SCREW, cap, 3/8-16 NC x 7/8 (Full thd.) At Cylinder(4AX 58)	2
G	493GB 2127	WASHER, Lock, 3/8 I.D.(36AX 3)	2
H	549GB 114A	FITTING, Oil Cooler Water Inlet	1
J		Attaching Parts:	
K		GASKET	1
L		SCREW, cap, 5/16-18 NC x 2.(1-1/8"thd.)(4AX 271)	2
M		SCREW, cap, 5/16-18 NC x 1 (7/8"thd.)(4AX 5)	2
N		WASHER, Lock, 5/16 I.D.(36AX 22)	4
P	83AX 673	PLUG, hex. c/s iron 3/8 NPT, Oil Cooler Water Inlet Fitting	1
Q	312GB 327P2	Pipe (63AX 112)	1
R	237GC 132	HOSE, Neoprene 2" I.D. x 2-1/2"L. 15/64-9/32 wall 3. ply, Oil Cooler Water Inlet (160AX 391)	1
S	56AX 357	CLAMP, Oil Cooler Water Inlet	3
T		COOLER, Oil	1
U	6AX 62	TUBE COMPLETE, Oil Cooler Oil Outlet	1
V		Attaching Parts:	
W	56AX 357	GASKET (At Cooler)	1
X		SCREW, cap, 3/8-16 NC x 1 (Full thd.)At Cooler (4AX 1)	1
Y	6AX 62	SCREW, 3/8 x 1-3/4 (At Cooler)	1
Z		WASHER, Lock, 3/8 I.D.(36AX 3)	2

KEY	PART NUMBER	DESCRIPTION	NO. REQ.
		<u>OIL COOLER (Type 1)(Cont.)</u>	
AA	Not Used		
AB	497GB 1130	ELBOW, Cylinder & Upper Crankcase Oil Outlet	1
		Attaching Parts:	
AC	56AX 357	GASKET	1
AD		SCREW, cap, 3/8-16 NC x 1 (Full thd.)(4AX 1)	2
AE		WASHER, Lock, 3/8 I.D.(36AX 3)	2
AF		ELBOW, Street, 90°, iron 1 NPT Cylinder Upper Crankcase Oil Outlet (At Oil Filter Inlet Hose)(63AX 527)	1
AG	63AX 2017	CONNECTOR, Cylinder & Upper Crankcase Oil Outlet Elbow	1
AH	Not Used		
AJ	497GB 245	ELBOW, Oil Cooler Oil Inlet (At Cooler)	1
		Attaching Parts:	
AK	56AX 357	GASKET	1
AL	6AX 1142	SCREW, (3/8-16 NC x 1)	2
AM		WASHER, Lock, 3/8 I.D.(36AX 3)	2
AN		ELBOW, Street, 90°, iron 1 NPT, Oil Cooler Oil Inlet (At Oil Filter)Outlet Hose (63AX 527)	1
AP	63AX 2017	CONNECTOR, Oil Cooler Oil Inlet Elbow	1
AQ	143GB 318	BRACKET, Oil Cooler (Rear)(At Cylinder)	1
		Attaching Parts:	
AR	549GB 114A	GASKET (To Cooler)	1
AS		SCREW, cap, 5/16-18 NC x 1 (7/8"thd.)At Cooler (4AX 5)	6
AT		WASHER, Lock, 5/16 I.D.(36AX 22)	6
AU	56AX 174	GASKET, (To Cylinder)	1
AV		SCREW, cap, 3/8-16 NC x 1 (Full thd.) At Cylinder (4AX 1)	2
AW		WASHER, Lock, 3/8 I.D.(36AX 3)	2
AX	61AX 54	COCK, Drain, Oil Cooler Bracket Water	1
		<u>OIL COOLER (Type 1A)</u>	
		Same as Type 1, Except	
		B & F Model (Chassis Rear Engine Oil Filter Mount)	
AA	237GC 421	TUBE COMPLETE, Cylinder & Upper Crankcase Oil Outlet	1
AB	Omit		
AF	Omit		
AG	Omit		
AH	237GC 420A	TUBE COMPLETE, Oil Cooler Oil Inlet	1
AJ	Omit		
AN	Omit		
AP	Omit		
		<u>OIL COOLER (Type 1B)</u>	
		Same as Type 1, Except	
		C Model	
AF	63AX 2057	ELBOW, Cylinder Upper Crankcase Oil Outlet (At Oil Filter Inlet Hose)	1
AG	Omit		
AJ	237GCA 141	ELBOW ASSEMBLY, Oil Cooler Oil Inlet (At Cooler)	1
AN	Omit		
AP	Omit		
		<u>OIL COOLER (Type 1C)</u>	
		Same as Type 1, Except	
		B615 Model, R.H.Drive	
R	Omit		
AA	237GC 431	TUBE COMPLETE, Cylinder & Upper Crankcase Oil Outlet	1
AF	63AX 2057	ELBOW, Cylinder & Upper Crankcase Oil Outlet (At Oil Filter Inlet Hose)	1
AG	Omit		
AH	237GC 430	TUBE COMPLETE, Oil Cooler Oil Inlet	1
AJ	Omit		
AN	Omit		
AP	Omit		
AX-1	253GC 1328	BRACKET, Oil Cooler Tubes	1

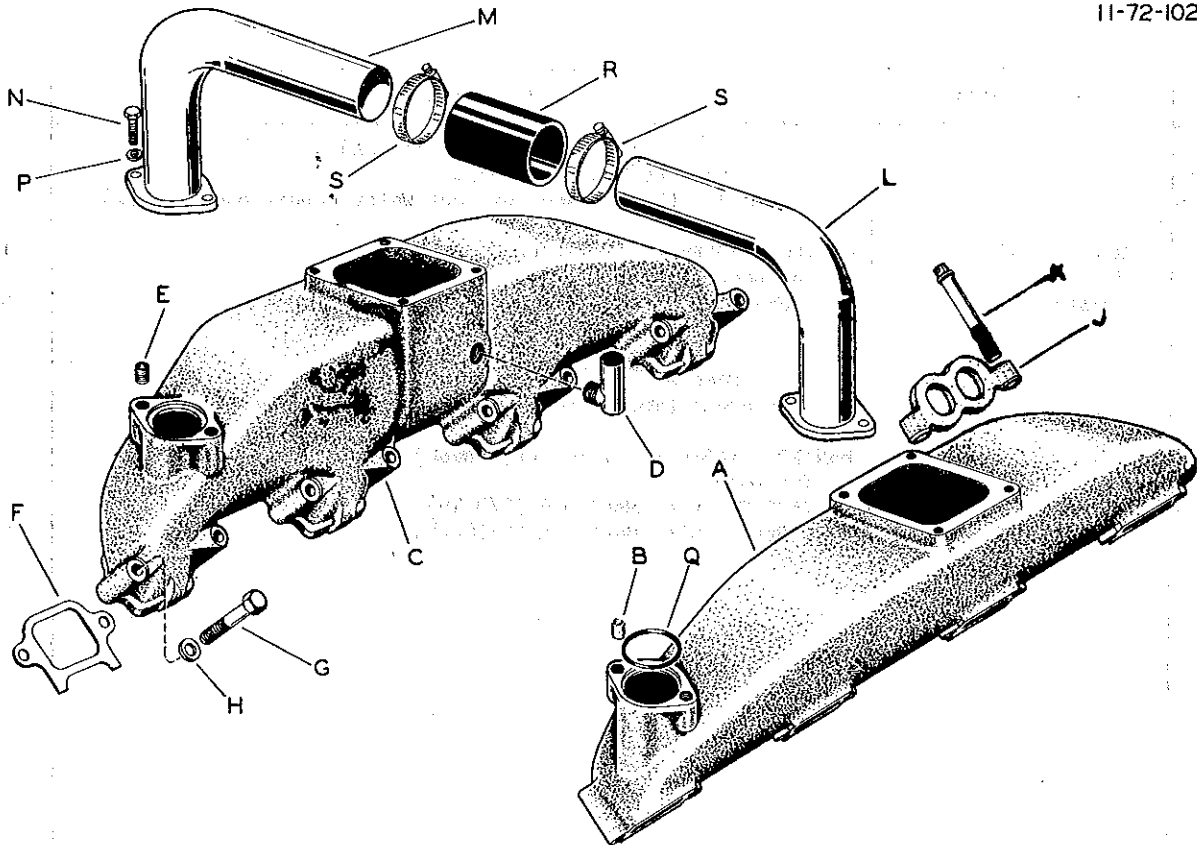
11-72-284



KEY	PART NUMBER	DESCRIPTION	NO. REQ.
		WATER FILTER (Type 1) F Turbocharger, C, B & F Model	
A	25MF 311	WATER FILTER (For Components, See Back of Group)	1
B		Attaching Parts: SCREW, Cap 5/16-18 NC x 1-1/4 (7/8" thd.) (4AX 130)	2
C	37AX 68	WASHER, Plain	2
D		SCREW, Cap, 5/16-24 NF x 1 (7/8" thd.) (1AX 114)	2
E		NUT, Hex. 5/16-24 NF (20AX 2)	2
F		WASHER, Lock, 5/16 I.D. (36AX 22)	2
G	37AX 68	WASHER, Plain	2
H	253GC 328	BRACKET, Water Filter Mounting (Upper) Attaching Parts:	1
J		SCREW, Cap, 3/8-16 NC x 3/4 (Full thd.) (At Inlet Manifold) (4AX 17)	1
K	37AX 366	WASHER, Plain	1





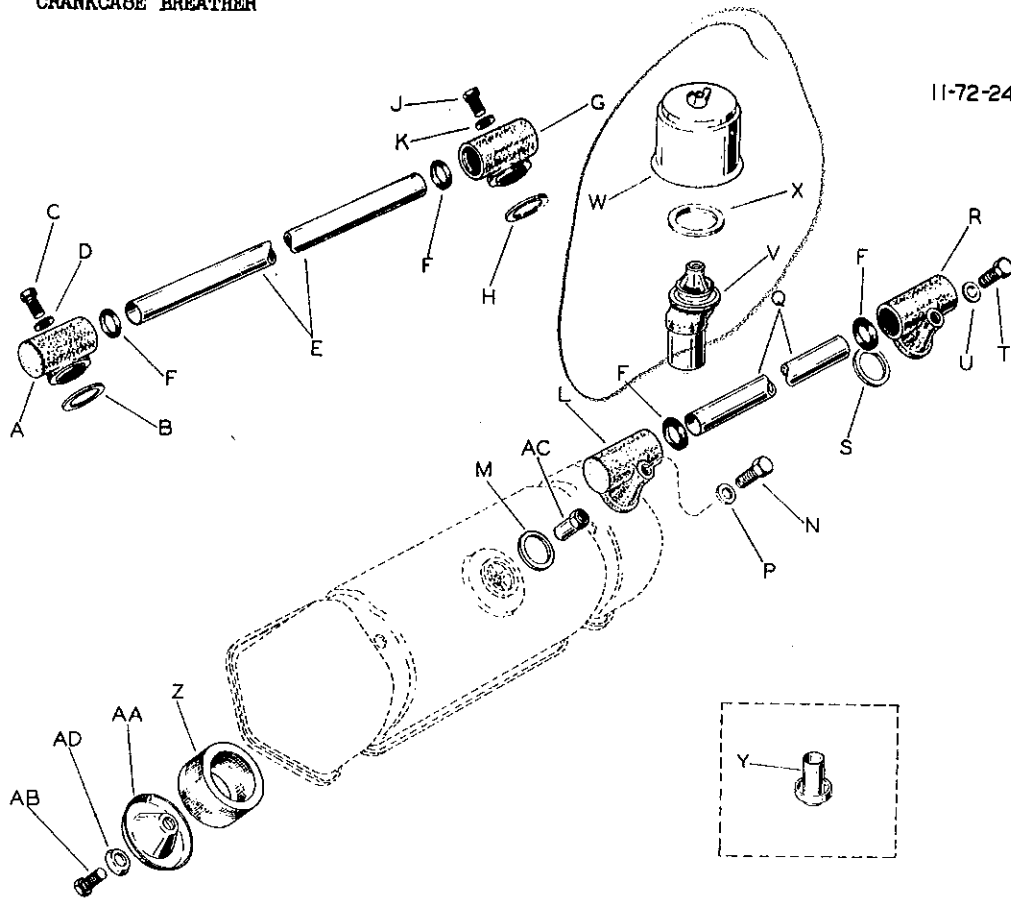


KEY	PART NUMBER	DESCRIPTION	NO. REQ.
		INLET MANIFOLD (Type 1) B Model (Without Bosses)	
A	105GCA 1109	MANIFOLD ASSEMBLY, Inlet (L.H. Bank) Includes:	1
B	23GC 115	INSERT, Inlet Manifold	2
C	105GCA 1108	MANIFOLD ASSEMBLY, Inlet (R.H. Bank) Includes:	1
D		ELBOW, 3/4 NPT Male x 3/4 I.D. Hose (63AX 1299)	1
E	23GC 115	INSERT, Inlet Manifold Attaching Parts:	2
F	573GB 148	GASKET	8
G		SCREW, cap, 7/16-14 NC x 3 (1-1/8"thd.)(4AX 113)	12
H	37AX 256	WASHER, Plain (15/32 I.D.)	12
J	23QL 130	EYE, Engine Lifting Attaching Parts:	2
K	6AX 1168	SCREW 3/8-16 NC	4
L	231GC 27	TUBE COMPLETE, Inlet Manifold Crossover (At L.H. Manifold)	1
M	231GC 27	TUBE COMPLETE, Inlet Manifold Crossover (At R.H. Manifold) Attaching Parts:	1
N		SCREW, cap, 3/8-16 NC x 7/8 (Full thd.)(4AX 58)	4
P	37AX 438	WASHER, Plain (25/64 I.D.)	4
Q	449GC 118	SEAL, Inlet Manifold Crossover Tube	2
R		HOSE, Neoprene 2 I.D. x 2-1/2 L. 15/64-9/32 wall, 3 ply, Inlet Manifold Crossover Tube (160AX 391)	1
S	83AX 453	CLAMP, Inlet Manifold Crossover Tube Hose	2

KEY	PART NUMBER	DESCRIPTION	NO. REQ.
		<u>INLET MANIFOLD (Type 1A)</u> Same as Type 1, Except F Model (Top Bosses, without Water Conditioner Bosses)	
A	105GCA 1112	MANIFOLD ASSEMBLY, Inlet (L.H. Bank)	1
B	23GC 115	Includes: INSERT, Inlet Manifold	6
		<u>INLET MANIFOLD (Type 1B)</u> Same as Type 1, Except F Model (Top Bosses, with Water Conditioner Bosses)	
A	105GCA 1115	MANIFOLD ASSEMBLY, Inlet (L.H. Bank)	1
B	23GC 115	Includes: INSERT, Inlet Manifold (3/8-16)	6
B	23GC 122	INSERT, Inlet Manifold (5/16-18)	2

CRANKCASE BREATHER

11-72-240

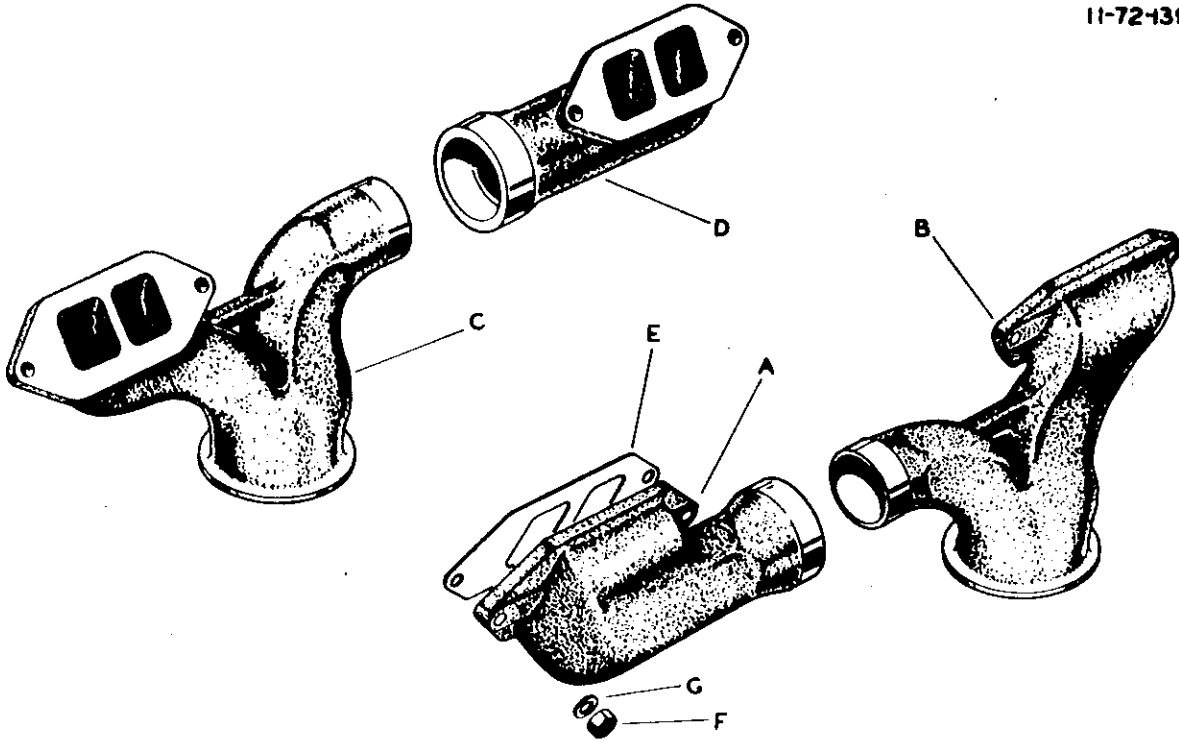


KEY	PART NUMBER	DESCRIPTION	NO. REQ.
		CRANKCASE BREATHER (Type 1) C & B & F Model (Without Dustproofing)	
A	438GB 19	FITTING, Overboard Breather (Front Right) Attaching Parts:	1
B	56AX 384	GASKET	1
C	6AX 1158	SCREW	1
D	37AX 543	WASHER, Plain	1
E	238GC 134	TUBE, Overboard Breather (Right)	1
F	446GC 184	SEAL, Overboard Breather Tube "O" Ring	4
G	438GB 112	FITTING, Overboard Breather (Rear Right) Attaching Parts:	1
H	56AX 384	GASKET	1
J	6AX 1158	SCREW	1
K	37AX 543	WASHER, Plain	1
L	438GB 18	FITTING, Overboard Breather (Front Left) Attaching Parts:	1
M	56AX 384	GASKET	1
N	6AX 1158	SCREW	1
P	37AX 543	WASHER, Plain	1
Q	238GC 134	TUBE, Overboard Breather (Left)	1
R	438GB 112	FITTING, Overboard Breather (Rear Left) Attaching Parts:	1
S	56AX 384	GASKET	1
T	6AX 1158	SCREW	1
U	37AX 543	WASHER, Plain	1
V	32GB 146	ADAPTER, Crankcase Breather Cap	1
W	221GB 124	CAP, Crankcase Breather (For Components, see back of Group)	1
X	56AX 265	Attaching Parts:	
Y	Not Used	GASKET	1

IK

KEY	PART NUMBER	DESCRIPTION	NO. REQ.
<u>CRANKCASE BREATHER (Type 1)(Cont.)</u>			
E	487GB 14	CARTRIDGE, Engine Breather	4
AA	364GB 12	COVER, Engine Breather Cartridge (Inner)	4
AB	6AX 1151	Attaching Parts: SCREW (Nyllok)	4
AC	142GC 132	NUT	4
AD	711GC 187	WASHER, Cup	4
<u>CRANKCASE BREATHER (Type 1A)</u>			
Same as Type 1, Except B Model (With Dustproofing)			
V	Omit		
W	Omit		
X	Omit		
Y	32GB 151	ADAPTER COMPLETE, Crankcase Breather Hose	1
<u>CRANKCASE BREATHER (Type 1B)</u>			
Same as Type 1, Except R & U Model (Front Breathers)			
A	438GB 112	FITTING, Overboard Breather (Front Right)	1
G	438GB 19	FITTING, Overboard Breather (Rear Right)	1
L	438GB 112	FITTING, Overboard Breather (Front Left)	1
R	38GB 19	FITTING, Overboard Breather (Rear Left)	1
<u>CRANKCASE BREATHER (Type 1C)</u>			
Same as Type 1, Except F Model Turbocharge			
V	)		
thru	) Omit		
Y	)		

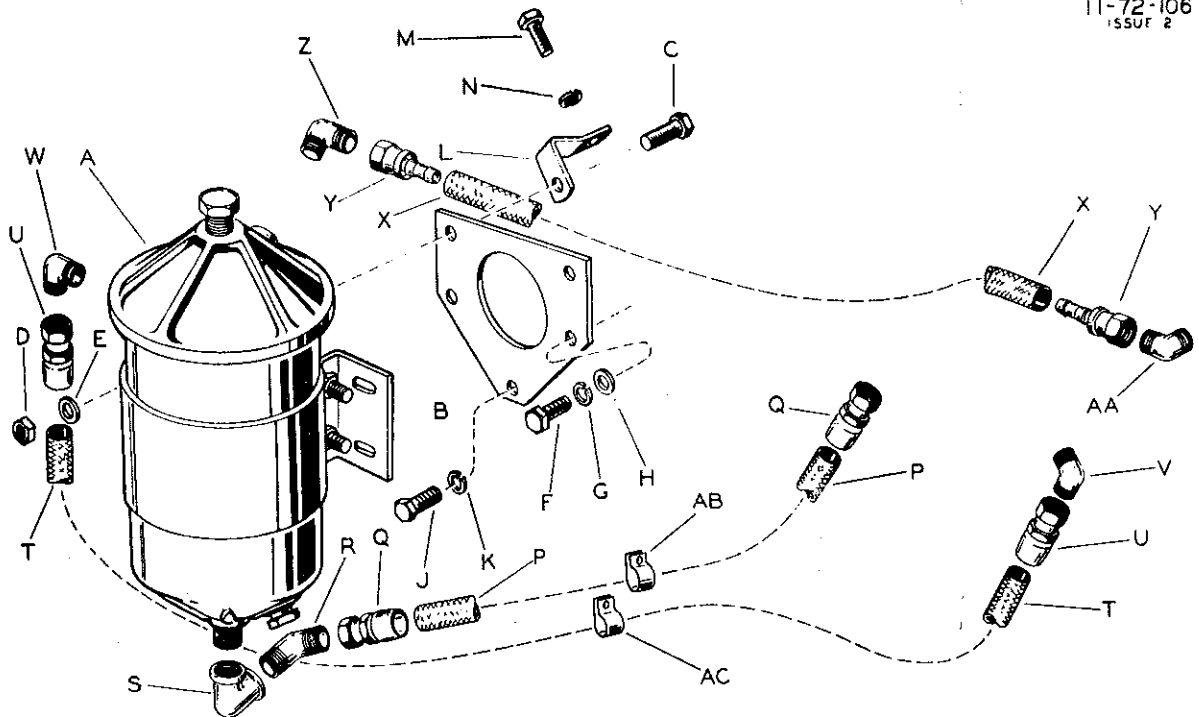
11-72-139



KEY	PART NUMBER	DESCRIPTION	NO. REQ.
<b>EXHAUST MANIFOLD (Type 1)</b> B Model (Without Lowered Flange For Frame Clearance)			
A	104GC 355	MANIFOLD, Exhaust (L.H. Front)	1
B	104GC 4237	MANIFOLD, Exhaust (L.H. Rear)	1
C	104GC 4237	MANIFOLD, Exhaust (R.H. Front)	1
D	104GC 355	MANIFOLD, Exhaust (R.H. Rear)	1
Attaching Parts:			
E	573GB 145	GASKET	4
F	23AX 395	NUT, Exhaust Manifold Stud	8
G	37AX 256	WASHER, Plain (15/32 I.D.)	8
<b>EXHAUST MANIFOLD (Type 1A)</b> Same as Type 1, Except F Model			
A	104GC 358	MANIFOLD, Exhaust (L.H. Front)	1
B	104GC 4246	MANIFOLD, Exhaust (L.H. Rear)	1
C	104GC 355	MANIFOLD, Exhaust (R.H. Front)	1
D	104GC 4238	MANIFOLD, Exhaust (R.H. Rear)	1
F	142GC 158	NUT, Exhaust Manifold Stud	8
G	711GC 1104	WASHER, Special	8
<b>EXHAUST MANIFOLD (Type 1B)</b> Same as Type 1, Except C & B Model (With Lowered Flange for Frame Clearance)			
B	104GC 4253	MANIFOLD, Exhaust (L.H. Rear)	1
C	104GC 4253	MANIFOLD, Exhaust (R.H. Front)	1
F	142GC 158	NUT, Exhaust Manifold Stud	8
G	711GC 1104	WASHER, Special	8

IK

11-72-106  
 ISSUED 2



KEY	PART NUMBER	DESCRIPTION	NO. REQ.
		FUEL OIL FILTER (Type 1) B & F Model (Without Purging Valve on Filter)	
A	483GB 335P2	FILTER, Fuel Oil (Secondary) (For Components, see back of Group)	1
B	136GB 149	BRACKET, Fuel Oil Filter	1
C		Attaching Parts:	
D	21AX 532	SCREW, cap, 5/16-24 NF x 7/8 (Full thd.)(1AX 19)	3
E	37AX 544	NUT, 5/16-24	3
F		WASHER, Plain	3
G		SCREW, cap, 5/16-18 NC x 3/4 (Full thd.)(Lower R.H.Side) (4AX 99)	1
H		WASHER, Lock, 5/16 I.D. (36AX 22)	1
J	37AX 544	WASHER, Plain	1
K		SCREW, cap, 5/16-18 NC x 3/4 (Full thd.)(Bottom of Bracket) (4AX 99)	1
L		WASHER, Lock, 5/16 I.D.(36AX 22)	1
M	25GB 1112	BRACE, Fuel Oil Filter Bracket	1
N		Attaching Parts:	
-	36RUA 3132P28	SCREW, cap, 5/16-18 NC x 3/4 (Full thd.)(4AX 99)	1
P		WASHER, Lock, 5/16 I.D.(36AX 22)	1
Q		HOSE ASSEMBLY, Fuel Filter Outlet (To Injection Pump)	1
R		Use Units as follows:	
S	63AX 3089	HOSE, medium high pressure 5/16 I.D. x 3/8 O.D. x 26-1/2"L. (913AXA)	1
T	63AX 305	END, Hose (Female)	2
U		ELBOW, 90°, Fuel Filter Outlet Hose (At Filter)	1
V		ELBOW, Pipe, 90°, iron 1/4 NPT, Fuel Filter Outlet Hose (At Filter)(63AX 269)	1
W	36RUA 3132P33	HOSE ASSEMBLY, Fuel Filter Inlet (To Transfer Pump)	1
		Use Units as follows:	
		HOSE, medium high pressure 5/16 I.D. x 3/8 O.D. x 31-1/2"L. (913AXA)	1
		END, Hose	1
		ELBOW, 45°, Fuel Oil Filter Inlet Hose Assembly (At Transfer Pump)	1
		ELBOW, 90°, Fuel Oil Filter Inlet Hose Assembly (At Filter)	1

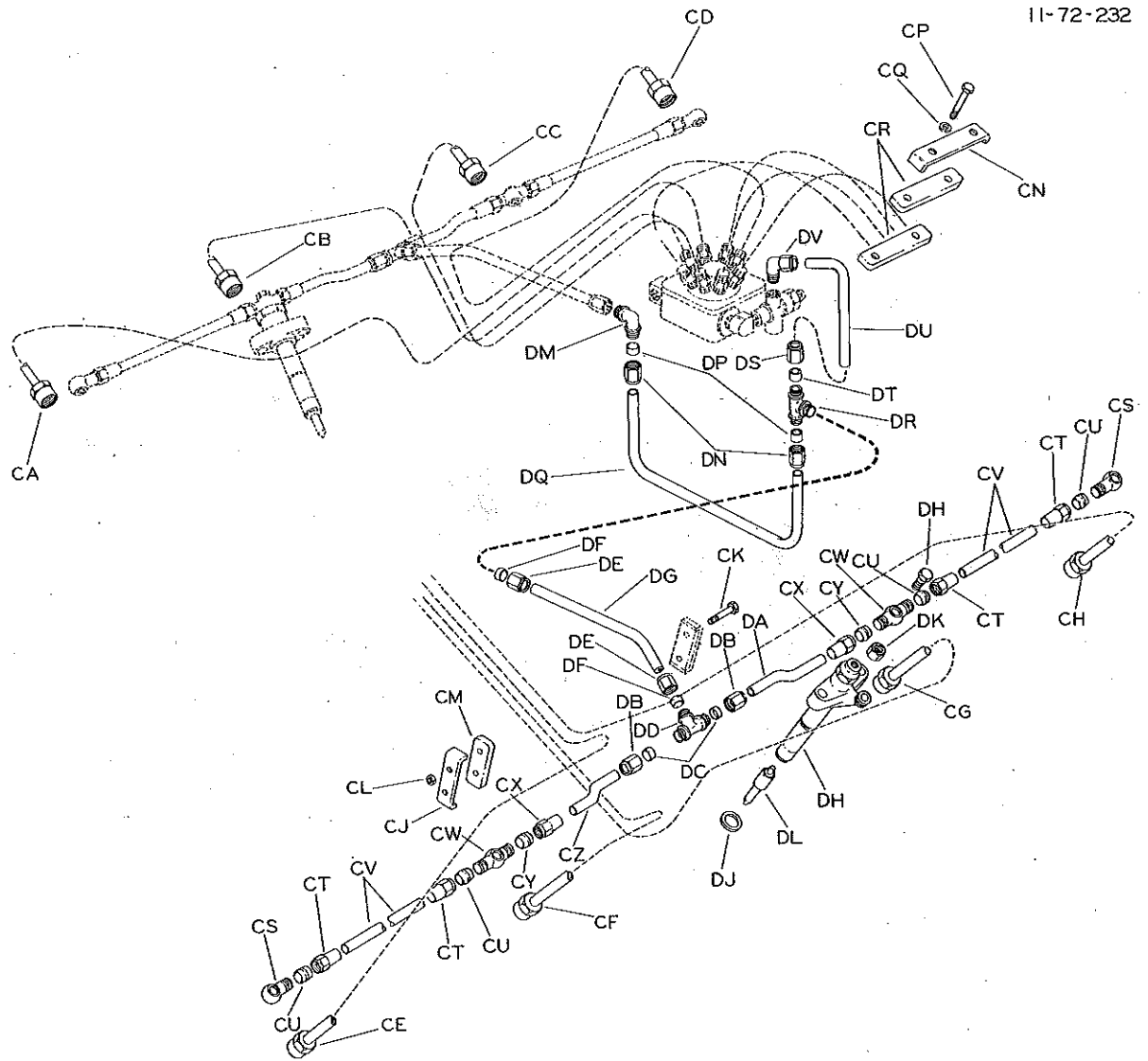
IK

KEY	PART NUMBER	DESCRIPTION	NO. REQ.
		<u>FUEL OIL FILTER (Type 1)(Cont.)</u>	
-	36RUA 346P26	HOSE ASSEMBLY, Fuel Oil Filter Vent (To Fuel Overflow and Return Fitting) Use Units as follows:	1
X		HOSE, Low pressure 1/4 I.D. x 15/32 O.D. x 25-1/4"L. (890AXA)	1
Y	63AX 3023	END, Hose	2
Z	63AX 330	ELBOW, 90°, Fuel Oil Filter Vent Hose Assembly (At Filter)	1
AA	63AX 330	ELBOW, 90°, Fuel Oil Filter Vent Hose Assembly (At Overflow and Return Fitting)	1
AB	83AX 655	CLAMP, Oil Filter Outlet Hose Assembly (At Auxiliary Drive Housing)	1
AC	83AX 655	CLAMP, Oil Filter Inlet Hose Assembly (At Auxiliary Drive Housing)	1
		<u>FUEL OIL FILTER (Type 1A)</u> Same as Type 1, Except C, B & F Model (With Purging Valve on Filter)	
-	36RUA 3132P32	HOSE ASSEMBLY, Fuel Filter Outlet to Injection Pump Use Units as follows:	1
P		HOSE, medium high pressure 5/16 I.D. x 3/8 O.D. x 30-1/2"L. (913AXA)	1
Q	63AX 3089	END, Hose (Female)	2
-	36RUA 3132P36	HOSE ASSEMBLY, Fuel Filter Inlet (From Transfer Pump) Use Units as follows:	1
T		HOSE, medium high pressure 5/16 I.D. x 3/8 O.D. x 34-1/2"L. (913AXA)	1
U	63AX 3089	END, Hose (Female)	2
V	63AX 305	ELBOW, Fuel Oil Filter Inlet Hose (At Transfer Pump)	1
-	36RUA 346P41	HOSE ASSEMBLY, Fuel Oil Filter Vent (To Fuel Overflow & Return Fitting) Use Units as follows:	1
X		HOSE, low pressure 1/4 I.D. x 15/32 O.D. x 40-1/4"L. (890AXA)	1
Y	63AX 3023	END, Hose	2
Z	61AX 108	VALVE, Vent Hose Shut-Off	1
AA	Omit		
		<u>FUEL OIL FILTER (Type 1B)</u> Same as Type 1, Except B & F Model (With Purging Valve on Filter, Mounted on L.H. Front of Engine)	
B	136GB 240	BRACKET, Fuel Oil Filter	1
E	37AX 366	WASHER, Plain	3
F		SCREW, Cap, 7/16-14 NC x 1-3/4 (1-1/8" thd.) (Lower R.H. Side) (4AX 269)	1
G		WASHER, Lock, 7/16 I.D. (36AX 4)	1
H	37AX 366	WASHER, Plain	2
J		SCREW, Cap, 7/16-14 NC x 1-3/4 (1-1/8" thd.) (Bottom of Bracket) (4AX 269)	1
K		WASHER, Lock, 7/16 I.D. (36AX 4)	1
L	253GC 1308	BRACE, Fuel Oil Filter Bracket	1
M		SCREW, Cap, 5/16-18 NC x 3/4 (Full thd.) (At Cylinder Head) (4AX 99)	1
M		SCREW, Cap, 5/16-24 NF x 1-1/8 (7/8" thd.) (1AX 5)	1
N		WASHER, Lock, 5/16 I.D. (36AX 2)	1
-	36RUA 3132P38	HOSE ASSEMBLY, Fuel Filter Inlet (To Transfer Pump) HOSE, medium high pressure, 5/16 I.D. x 3/8 O.D. x 36-1/2" L. (913AXA)	1
T			1
-	36RUA 346P35	HOSE ASSEMBLY, Fuel Oil Filter Vent (To Fuel Overflow and Return Fitting)	1
X		HOSE, Low Pressure, 1/4 I.D. x 15/32 O.D. x 34-1/4" L. (890AXA)	1





11-72-232

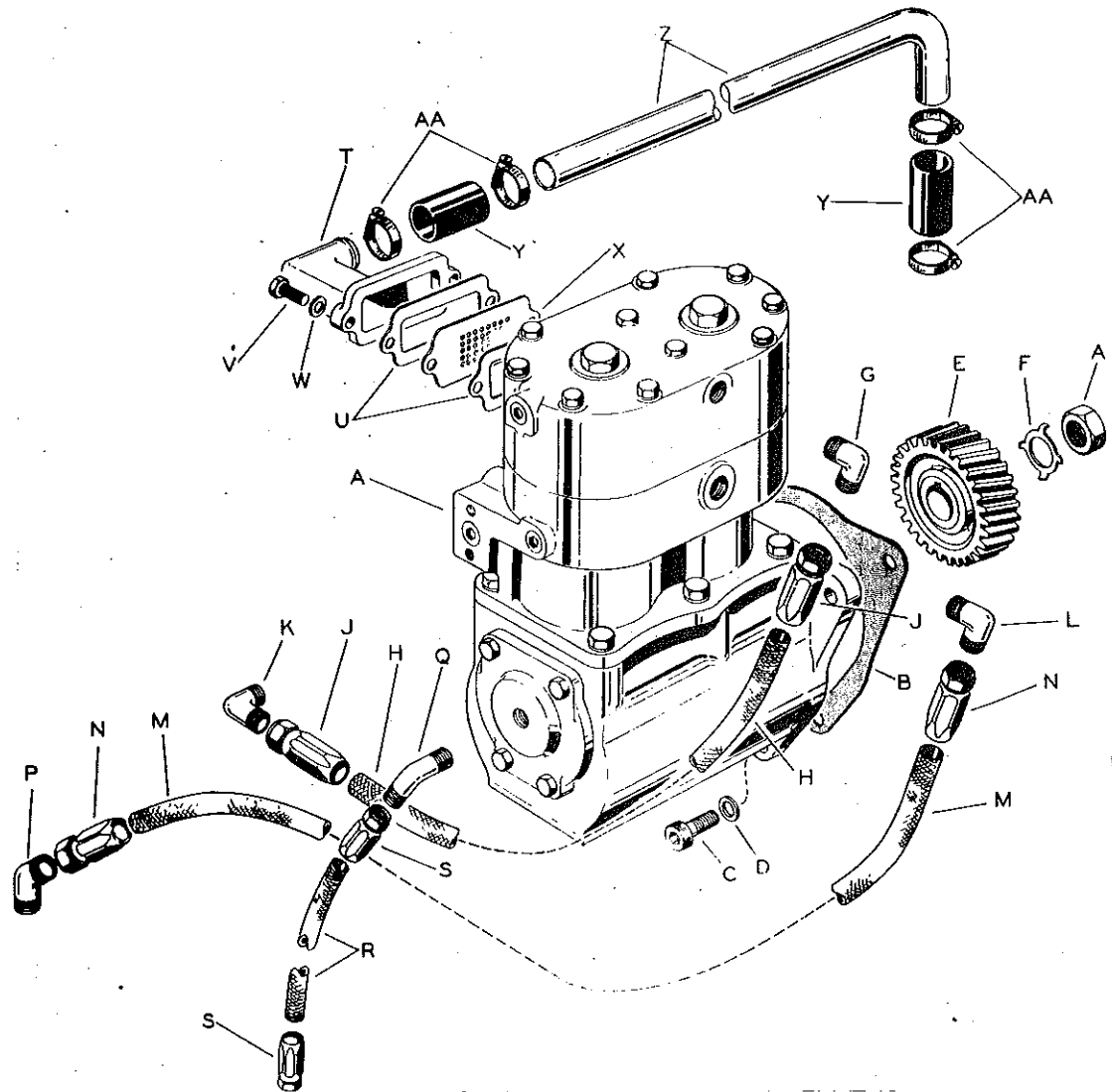




KEY	PART NUMBER	DESCRIPTION	NO. REQ.
		FUEL INJECTION EQUIPMENT (Type 2) C, B & F MODEL (WITHOUT EMERGENCY SHUT-OFF VALVE, WITH REROUTED TUBING, 2300 R.P.M. INJECTION PUMP WITH 100% RACK SETTING) Key Letters Indicated on Illustration #11-72-231.	
A	313GC 4151CP1	PUMP, Fuel Injection (For Components, see back of Group)	1
B	446GC 1141 A	Attaching Parts:	1
C	6AX 1148	SEAL	1
C	6AX 870	SCREW, cap, (3/8-16)(With Cotterhole)	3
D	37AX 438	SCREW, cap (3/8-16)	4
E		WASHER, Plain 13/32 I.D.	1
E		PUMP, Transfer	1
F		Attaching Parts:	3
G		SCREW	1
H		SCREW	4
H		WASHER	1
J	63AX 1046	ELBOW, 45°, Transfer Pump Fuel Inlet Fitting	1
K		PUMP, Injection Pump Priming	1
L	697GC 113	VALVE, Injection Pump Overflow	1
M	63AX 308	CONNECTOR, Injection Pump Fuel Drain Hose (At Overflow Valve)	1
N	63AX 372	ELBOW, 90°, Injection Pump Governor Housing Oil Drain Hose (At Injection Pump Rear Cover)	1
P	36RUA 311P8	HOSE ASSEMBLY, Injection Pump Governor Housing Oil Drain Use Units as follows:	1
Q		HOSE, medium high pressure 13/32 O.D. x 3/4 O.D. x 6-5/16" L. (900AXA)	1
R	63AX 1720	END, Hose	2
S	63AX 372	ELBOW, 90°, Injection Pump Governor Housing Oil Drain Hose (At Governor Housing)	1
T	63AX 1686	FITTING, Injection Pump Fuel Inlet (At Emergency Fuel Shut-Off Valve)	1
U		BUSHING, Pipe Reducing Iron, 1/4 NPT x 1/8 NPT, Injection Pump Fuel Inlet Fitting (63AX 1221)	1
V	49AX 96	PLUG, Reducer Bushing (Injection Pump Fuel Inlet Fitting)	1
W	63AX 330	ELBOW, 90°, Injection Pump Lube Oil Hose (At Pump)	1
X	36RUA 38P11	HOSE ASSEMBLY, Injection Pump Lube Oil Use Units as follows:	1
Y		HOSE, medium high pressure 3/16 I.D. x 1/2 O.D. x 9-11/16" L. (897AXA)	1
Z	63AX 1717	END, Hose	1
AA		TEE, SAE, Flared type 1/4 O.D. Tube x 1/4 O.D. Tubing x 1/8-27 Male NPT, Injection Pump Lube Oil Hose (At Block) (63AX 532)	1
AB	138GB 135	BRACKET, Injection Pump Fuel Shut-Off Cable	1
AC		Attaching Parts:	2
AD		SCREW, cap, 1/4-20 NC x 1/2 (Full thd.)(4AX 6)	2
AE	3AX 1543	WASHER, Lock, 1/4 I.D.(36AX 31)	1
AF	Not Used	SCREW, (1/4-28 NF x 1/2) Shut-Off Cable Clamping	1
		Key Letters Indicated on Illustration #11-72-232.	
CA	203GCA 1135	TUBE ASSEMBLY, Nozzle Fuel Inlet (#1 Cylinder)	1
CB	203GCA 1136	TUBE ASSEMBLY, Nozzle Fuel Inlet (#2 Cylinder)	1
CC	203GCA 1137	TUBE ASSEMBLY, Nozzle Fuel Inlet (#3 Cylinder)	1
CD	203GCA 1138	TUBE ASSEMBLY, Nozzle Fuel Inlet (#4 Cylinder)	1
CE	203GCA 1139	TUBE ASSEMBLY, Nozzle Fuel Inlet (#5 Cylinder)	1
CF	203GCA 1140	TUBE ASSEMBLY, Nozzle Fuel Inlet (#6 Cylinder)	1
CG	203GCA 1141	TUBE ASSEMBLY, Nozzle Fuel Inlet (#7 Cylinder)	1
CH	203GCA 1142	TUBE ASSEMBLY, Nozzle Fuel Inlet (#8 Cylinder)	1
CJ	253GC 1138	CLAMP, Nozzle Fuel Inlet Tube	4
CK		Attaching Parts:	4
CL	21AX 441	SCREW, cap, 1/4-28 NF x 1-1/4 (3/4" thd.)(1AX 147)	4
		LOCKNUT (1/4-28)	4
		*Part of Fuel Injection Pump (Not Serviced Separately)	

KEY	PART NUMBER	DESCRIPTION	NO. REQ.
<u>FUEL INJECTION EQUIPMENT (Type 2)(Cont.)</u>			
CM	41GC 16	INSULATOR, Nozzle Fuel Inlet Tube Clamp Rubber	4
CN	253GC 1268	CLAMP, Nozzle Fuel Inlet & Drain Tube (To Bracket)	2
		Attaching Parts:	
CP		SCREW, cap, 1/4-20 NC x 1 (3/4"thd.)(4AX 22)	4
CQ		WASHER, Lock, 1/4 I.D.(36AX 1)	4
CR	41GC 114	INSULATOR, Nozzle Fuel Inlet & Drain Tube Clamp to Bracket	4
CS	308GB 15	CONNECTOR, Nozzle Holder Fuel Drain Tube (At Cylinder #1,4,5,8)	4
CT		NUT, SAE, Compression Type Long, Brass 1/4 O.D.Tubing, Nozzle Holder Fuel Drain Tube to Connector (63AX 363)	8
CU	52AX 7	SLEEVE, Nozzle Holder Fuel Drain Tube to Connector Nut	8
CV	207GC 141	TUBE, Nozzle Holder Fuel Drain (Between #1 & 2, etc)	4
CW	308GB 14	CONNECTOR, Nozzle Holder Fuel Drain Tube (At Cylinder #2,3,6,7)	4
CX		NUT, SAE, Compression Type Long, Brass 1/4 O.D.Tubing, Nozzle Holder Fuel Drain Tube to Connector (63AX 363)	4
CY	52AX 7	SLEEVE, Nozzle Holder Fuel Drain Tube to Connector Nut	4
CZ	207GC 164	TUBE, Nozzle Holder Fuel Drain (Short)(Between 2 & 3, 5 & 6)	2
DA	207GC 164	TUBE, Nozzle Holder Fuel Drain (Long)(Between 2 & 3, 5 & 6)	2
DB	142GC 113	NUT, Nozzle Holder Fuel Drain Tube (At Overflow & Return Fitting)	4
DC	513GC 19	SLEEVE, Nozzle Holder Fuel Drain Tube Nut (At Overflow & Return Fitting)	4
DD	497GB 167	TEE, Nozzle Holder Fuel Drain Tube (Between 2 & 3, 5 & 6)	2
DE	142GC 113	NUT, Nozzle Holder Fuel Drain Tube to Tee	4
DF	513GC 19	SLEEVE, Nozzle Holder Fuel Drain Tube to Tee Nut	4
DG	207GC 243	TUBE, Nozzle Holder Fuel Drain (To Overflow & Return Fitting)	2
DH	736GB 227 P1	HOLDER NOZZLE (For Components, see back of Group)	8
		Attaching Parts:	
DJ	590GB 1143	GASKET (Outer)	8
DK		NUT, hex. 3/8-24 NF (20AX 3)	16
DL	114GC 21P3	NOZZLE (Hole-Type)	8
DM	497GB 1149	ELBOW, Nozzle Holder Fuel Drain Tube (R.H.Side)	1
DN	142GC 113	NUT, Nozzle Holder Fuel Drain Tube (R.H. to L.H.Side)	2
DP	513GC 19	SLEEVE, Nozzle Holder Fuel Drain Tube (R.H. to L.H.Side)	2
DQ	207GC 157	TUBE, Nozzle Holder Fuel Drain (R.H. to L.H.Side)	1
DR	497GB 167	TEE, Nozzle Holder Fuel Drain Tube (L.H.Side)	1
DS	142GC 113	NUT, Nozzle Holder Fuel Drain Tube (At Overflow Valve)	1
DT	513GC 19	SLEEVE, Nozzle Holder Fuel Drain Tube (At Overflow Valve)	1
DU	207GC 156	TUBE, Nozzle Holder Fuel Drain (At Overflow Valve)	1
DV	63AX 1206	ELBOW, Nozzle Holder Fuel Drain (At Overflow Valve)	1
<u>FUEL INJECTION EQUIPMENT (Type 2A)</u>			
Same as Type 2, Except			
A	313GC 4151CP11	F MODEL (WITHOUT EMERGENCY SHUT-OFF VALVE, WITH REROUTED TUBING, 2100 R.P.M. INJECTION PUMP WITH 100% RACK SETTING) PUMP, Fuel Injection (For Components, see back of Group)	1
<u>FUEL INJECTION EQUIPMENT (Type 2B)</u>			
Same as Type 2, Except			
B Model (Without Emergency Shut-Off Valve, with Rerouted Tubing, 2300 R.P.M. Injection Pump with 85% Rack Setting For 7,500 Ft. Altitude Operation).			
NO PART NUMBER CHANGES.			

11-72-217

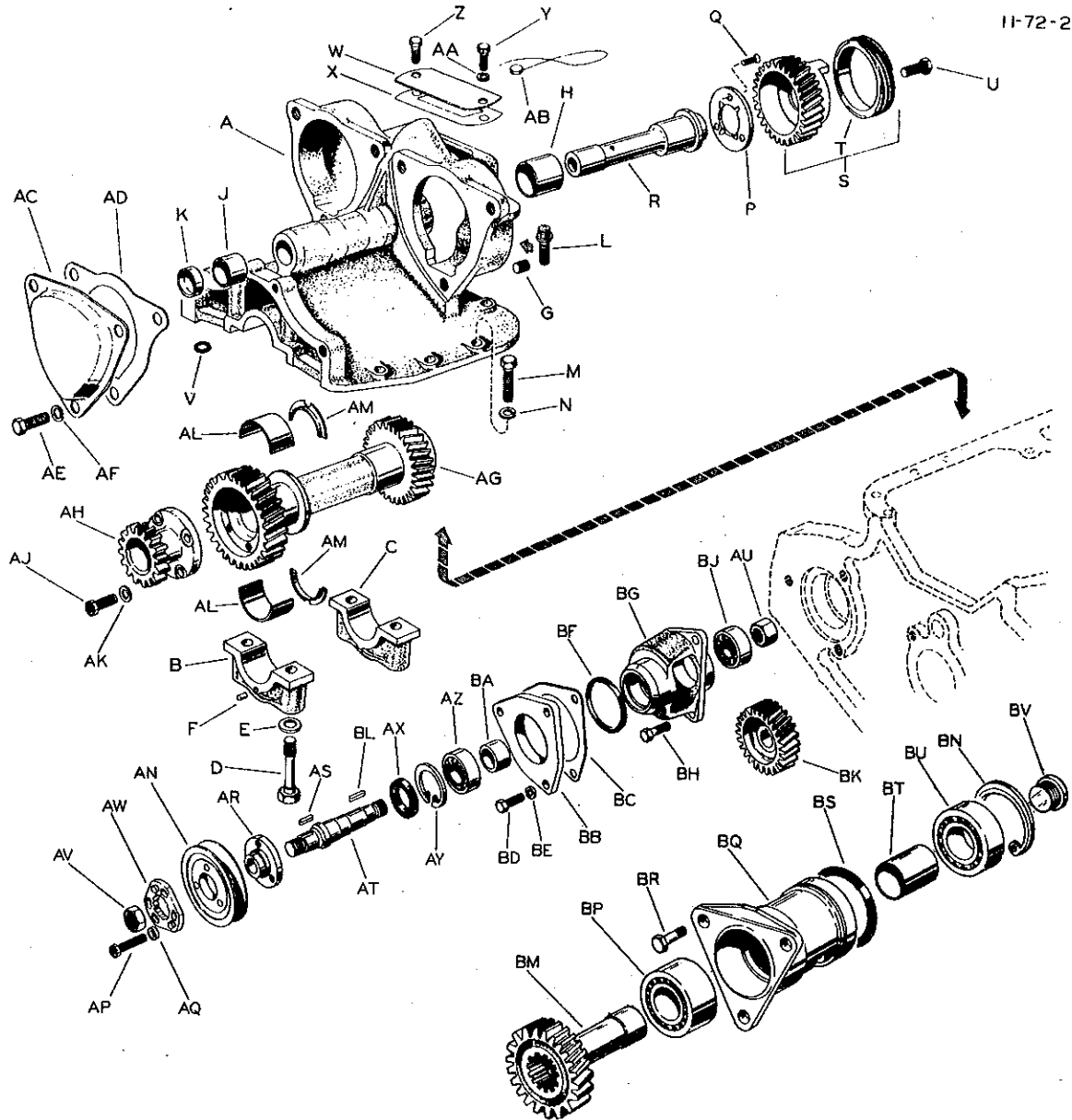


KEY	PART NUMBER	DESCRIPTION	NO. REQ.
		AIR COMPRESSOR (Type 1) C, B & F MODEL	
A	303GB 4104P5	COMPRESSOR, Air (For Components, see back of Group)	1
B	590GB 1179	Attaching Parts:	
C	6AX 1144	GASKET (To Auxiliary Drive Housing)	1
D	35AX 1361	SCREW	3
E	669GB 214	WASHER, Plain	3
F	83GC 11	GEAR, Air Compressor Driven	1
G	63AX 1214	Attaching Parts:	
-	36RUA 310P10	WASHER, Driven Gear Nut	1
H		ELBOW, Air Compressor Water Outlet Hose (At Compressor)	1
J	63AX 1719	HOSE ASSEMBLY, Air Compressor Water Outlet	1
K	63AX 1214	Use Units as follows:	
		HOSE, Medium High Pressure 5/16 I.D. x 21/32 x 8-9/16" L. (899AXA)	1
		END, Hose	2
		ELBOW, Air Compressor Water Outlet Hose (At Water Outlet Fitting)	1

**IK**

KEY	PART NUMBER	DESCRIPTION	NO. REQ.
		<u>AIR COMPRESSOR (Type 1)</u> (Cont.)	
L	63AX 1214	ELBOW, Air Compressor Water Inlet Hose (At Compressor)	1
-	36RUA 310P13	HOSE ASSEMBLY, Air Compressor Water Inlet	1
		Use Units as follows:	
M		HOSE, Medium High Pressure 5/16 I.D. x 21/32 x 11/96" L. (899AXA)	1
N	63AX 1719	END, Hose	2
P	63AX 3289	ELBOW, Air Compressor Water Inlet Hose (At Cylinder Water Outlet Tube)	1
Q	63AX 330	ELBOW, Air Compressor Oil Inlet	1
-	36RUA 38P14	HOSE ASSEMBLY, Air Compressor Lube Oil Inlet	1
		Use Units as follows:	
R		HOSE, Medium High Pressure 3/16 I.D. x 1/20 D. x 12-11/16" L. (897AXA)	1
S	63AX 1717	END, Hose	2
T	436GB 212	ELBOW, Air Compressor Air Inlet	1
		Attaching Parts:	
U	590GB 1146	GASKET	2
V		SCREW, cap, 5/16-18 NC x 7/8 (Full thd.)(4AX 32)	2
W	37AX 1	WASHER, Plain (.3281 I.D.)	2
X	25MB 19	STRAINER PLATE, Air Compressor Inlet	1
Y	160AX 490P2	HOSE, Air Compressor Air Inlet Tube	2
Z	223GC 18	TUBE, Air Compressor Air Inlet	1
AA	83AX 627	CLAMP, Air Compressor Air Inlet Tube Hose	4

11-72-212



KEY	PART NUMBER	DESCRIPTION	NO. REQ.
		<u>AUXILIARY &amp; WATER PUMP DRIVE (Type 1)</u> B MODEL (BELT DRIVE FAN)	
A	756GBA 26	HOUSING ASSEMBLY, Auxiliary Drive Includes:	1
B		CAP, Auxiliary Drive Shaft Bearing (Front)	1
C		CAP, Auxiliary Drive Shaft Bearing (Rear)	1
		Attaching Parts:	
D	409GC 154	SCREW, 3/8-16 NC x 2.938 L.	4
E	711GC 155	WASHER, .391 I.D.	4
F	31AX 553	PIN, Auxiliary Drive Shaft Thrust Washer	2
G	49AX 96	PLUG Auxiliary Drive Housing Oil Hole	2
H	186GB 156	BUSHING, Auxiliary Drive Idler Shaft (Rear)	1
J	186GB 157	BUSHING, Auxiliary Drive Idler Shaft (Front)	1
K	79AX 43	PLUG, Auxiliary Drive Housing	1
		Attaching Parts:	
L	6AX 1142	SCREW, Housing to Cylinder #Not Sold Separately.	1

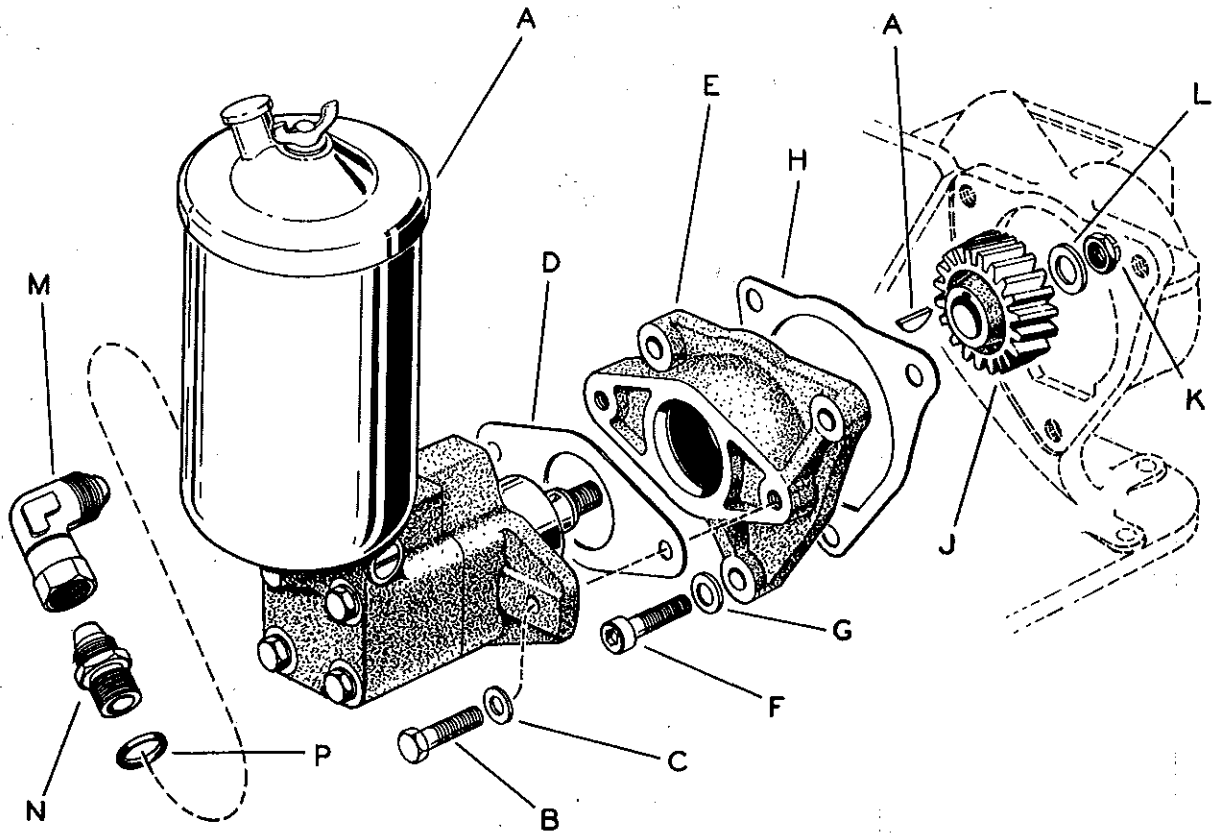


KEY	PART NUMBER	DESCRIPTION	NO. REQ.
		<u>AUXILIARY &amp; WATER PUMP DRIVE (Type 1)</u>	
M		SCREW, cap, 3/8-16 NC x 1-1/4 (1"thd.)(4AX 16)	8
N		WASHER, Lock, 3/8 I.D.(36AX 3)	8
P	702GC 159	WASHER, Auxiliary Drive Idler Shaft Thrust	1
Q	130AX 1318	Attaching Parts:	
R	462GC 110	SCREW	3
S	677GBA 117	SHAFT, Auxiliary Drive Idler	1
T	685GB 116	GEAR ASSEMBLY, Auxiliary Drive Idler	1
U	3AX 1671	Includes:	
V	446GC 1109	GEAR, Tachometer Driving	1
W	336GB 131	Attaching Parts:	
X	590GB 1177	SCREW, Idler Gear to Shaft	3
Y	6AX 702	SEAL, Auxiliary Drive Housing to Cylinder Oil Hole	1
Z		COVER, Auxiliary Drive Housing Timing Hole	1
AA		Attaching Parts:	
AB	449GC 112A	GASKET	1
AC	335GB 22	SCREW, 1/4 x 5/8	1
AD	590GB 1251	SCREW, cap, 1/4-20 NC x 5/8 (Full thd.)(4AX 36)	1
AE		WASHER, Lock, 1/4 I.D.(36AX 1)	2
AF		SEAL, Auxiliary Drive Housing Timing Hole Cover Screw	1
AG	453GC 310A	COVER, Auxiliary Drive Housing	1
AH	471GB 112	Attaching Parts:	
AJ	6AX 345	GASKET	1
AK	Not Used	SCREW, cap, 7/16-14 NC x 1 (Full thd.)(4AX 27)	3
AL	64GBA 11324P1	WASHER, Lock, 7/16 I.D.(36AX 4)	3
AL	64GBA 11324P2	SHAFT, Auxiliary Drive	1
AL	64GBA 11324P5	EXTENSION, Auxiliary Drive Shaft	1
AL	64GBA 11324P10	Attaching Parts:	
AL	64GBA 11324P20	SCREW, (3/8 x 3/4 )	4
AL	64GBA 11324P30	WASHER Plain	4
AM	702GC 162P1	BEARING PAIR, Auxiliary Drive Shaft (Std.)	1
AM	702GC 162P2	BEARING PAIR, Auxiliary Drive Shaft (.002 Undersize)	1
AM	702GC 162P10	BEARING PAIR, Auxiliary Drive Shaft (.005 Undersize)	1
AN	309GC 123	BEARING PAIR, Auxiliary Drive Shaft (.010 Undersize)	1
AP		BEARING PAIR, Auxiliary Drive Shaft (.020 Undersize)	1
AQ	35AX 1027	BEARING PAIR, Auxiliary Drive Shaft (.030 Undersize)	1
AR	786GB 154	BEARING PAIR, Auxiliary Drive Shaft (.010 Oversize)	4
AS	42AX 395	WASHER, Auxiliary Drive Shaft Thrust (Thin)	4
AT	473GC 11	WASHER, Auxiliary Drive Shaft Thrust (Thick)	4
AU	21AX 755	WASHER, Auxiliary Drive Shaft Thrust (.010 Oversize)	4
AV	21AX 755	PULLEY, Generator Driving	1
AW	Not Used	Attaching Parts:	
AX	446GC 1113 *	SCREW, cap, 5/16-24 NF x 1/2 (Full thd.)(1AX 364)	3
AY	325GC 120	WASHER (5/16 I.D.)	3
AZ	46AX 62	HUB, Generator Drive Pulley	1
BA	550GC 134	Attaching Parts:	
BB	366GB 21	KEY	1
BC	590GB 1197	SHAFT, Generator Drive	1
BD		Attaching Parts:	
BE	37AX 543	NUT, Lock (Rear)	1
BF	446GC 1111	NUT, Lock (Front)	1
BG	776GB 22	PLATE, Generator Drive Shaft Nut Lock	1
BH	6AX 901	SEAL, Generator Drive Shaft	1
		SEAL, Generator Drive Shaft	1
		RETAINER, Generator Drive Shaft Ball Bearing	1
		BEARING, Generator Drive Shaft Ball (Front)	1
		SPACER, Generator Drive Shaft Ball Bearing	1
		COVER, Generator Drive Housing	1
		Attaching Parts:	
		GASKET	1
		SCREW, cap, 5/16-18 NC x 7/8 (Full thd.)(4AX 32)	3
		WASHER, Plain	3
		SEAL, Generator Drive Housing Cover (Inner)	1
		HOUSING, Generator Drive	1
		Attaching Parts:	
		SCREW, 3/8-16 NC	3
		*Optional	

KEY	PART NUMBER	DESCRIPTION	NO. REQ.
<u>AUXILIARY &amp; WATER PUMP DRIVE (Type 1)(Cont.)</u>			
BJ	46AX 38	BEARING, Generator Drive Shaft Ball (Rear)	1
BK	689GB 16	GEAR, Generator Drive Shaft	1
		Attaching Parts:	
		KEY	1
BL	42AX 396	GEAR, Water Pump	1
BM	691GB 218	RETAINER, Water Pump Drive Bearing (Front)	1
BN	325GC 120	BEARING, Water Pump Drive Housing Ball (Front)	1
BP	46AX 454	HOUSING, Water Pump Drive	1
BQ	770GB 216	Attaching Parts:	
		SCREW, Lock	3
BR	6AX 901	SEAL, Water Pump Drive Housing	1
BS	446GC 1118	SPACER, Water Pump Drive Bearing	1
BT	550GC 133	BEARING, Water Pump Drive Housing Ball (Rear)	1
BU	46AX 461	SCREW, Lock, Water Pump Drive Bearing	1
BV	421GC 123		
<u>AUXILIARY &amp; WATER PUMP DRIVE (Type 1A)</u> Same as Type 1, Except F MODEL (DIRECT DRIVE FAN, WITH LOCK PLATE FOR ENGINE BARRING)			
AH	471GB 24	EXTENSION, Auxiliary Drive Shaft	1
		Attaching Parts:	
AJ	3AX 1671	SCREW, cap, 3/8 x 15/16	4
AK	711GC 179	WASHER, Plain	4
AP	3AX 1360	SCREW, Hexagon, Lock 5/16 x 1	3
AQ	35AX 1379	WASHER	3
AV		NUT, hex. 3/4-16 NF (20AX 46)	1
AW	87GC 128	PLATE, Nut Lock	1
AW-1	537GC 124	SPACER, Nut Lock Plate	1
<u>AUXILIARY &amp; WATER PUMP DRIVE (Type 1B)</u> Same as Type 1, Except F MODEL (DIRECT DRIVE FAN, WITH LOCK PLATE FOR ENGINE BARRING, WITH LARGE ALTERNATOR DRIVE PULLEY)			
AN	309GC 2164	PULLEY, Generator Driving	1
		Attaching Parts:	
AP	3AX 1360	SCREW, Hexagon, Lock 5/16 x 1	3
AQ	35AX 1379	WASHER	3
AV		NUT, hex. 3/16 NF (20AX 46)	1
AW	87GC 128	PLATE, Nut Lock	1
AW-1	537GC 124	SPACER, Nut Lock Plate	1
<u>AUXILIARY &amp; WATER PUMP DRIVE (Type 1C)</u> Same as Type 1, Except B MODEL (BELT DRIVE FAN, WITH LARGE ALTERNATOR DRIVE PULLEY)			
AN	309GC 2164	PULLEY, Generator Driving	1
<u>AUXILIARY &amp; WATER PUMP DRIVE (Type 1D)</u> Same as Type 1, Except F MODEL (DIRECT DRIVE FAN, WITH HYDRAULIC STEERING PUMP) F Model-Turbocharge			
AC thru AF	} Omit		

KEY	PART NUMBER	DESCRIPTION	NO. REQ.
		<u>AUXILIARY &amp; WATER PUMP DRIVE (Type 1E)</u> Same as Type 1, Except B & F MODEL (DIRECT DRIVE FAN, LOCK PLATE FOR ENGINE BARRING, INCREASED GENERATOR PULLEY CLEARANCE) F Model- Turbocharge	
AG	453GC 223	SHAFT, Auxiliary Drive	1
AH	471GB 24	EXTENSION, Auxiliary Drive Shaft	1
AJ	3AX 1671	SCREW, (3/8 x 15/16)	4
AK	711GC 179	SPACER	4
AN	309GC 2175	PULLEY, Generator Driving	1
AP	3AX 1360	SCREW, (5/16-24 NF x 1)	3
AQ	35AX 1379	WASHER	3
AV		NUT, hex. 3/4-16 NF (20AX 46)	1
AW	87GC 128	PLATE, Generator Drive Shaft Nut Lock	1
		<u>AUXILIARY &amp; WATER PUMP DRIVE (Type 1F)</u> Same as Type 1, Except C & B MODEL (BELT DRIVE FAN, INCREASED GENERATOR PULLEY CLEARANCE)	
AG	453GC 223	SHAFT, Auxiliary Drive	1
AN	309GC 2175	PULLEY, Generator Driving	1
AP		SCREW, cap, 5/16-24 NF x 3/4 (Full thd.)(1AX 110)	3
AQ		WASHER, Lock, 5/16 I.D.(36AX 22)	3
		<u>AUXILIARY &amp; WATER PUMP DRIVE (Type 1G)</u> Same as Type 1, Except C&B MODEL (BELT DRIVE FAN, INCREASED GENERATOR PULLEY CLEARANCE, WITH HYDRAULIC STEERING PUMP)	
AG	453GC 223	SHAFT, Auxiliary Drive	1
AC	Omit		
Thru			
AF			
AN	309GC 2175	PULLEY, Generator Driving	1
AP		SCREW, cap, 5/16-24 NF x 3/4 (Full thd.)(1AX 110)	3
AQ		WASHER, Lock, 5/16 I.D.(36AX 22)	3
		<u>AUXILIARY &amp; WATER PUMP DRIVE (Type 1H)</u> Same as Type 1, Except B & F MODEL (DIRECT DRIVE FAN, LOCK PLATE FOR ENGINE BARRING, INCREASED GENERATOR PULLEY CLEARANCE, WITH HYDRAULIC STEERING PUMP)	
AG	453GC 223	SHAFT, Auxiliary Drive	1
AC	Omit		
Thru			
AF			
AH	471GB 24	EXTENSION, Auxiliary Drive Shaft	1
AJ	3AX 1671	SCREW, (3/8 x 15/16)	4
AK	711GC 179	SPACER	4
AN	309GC 2175	PULLEY, Generator Driving	1
AP	3AX 1360	SCREW, (5/16-24 NF x 1)	3
AQ	35AX 1379	WASHER	3
AV		NUT, hex. 3/4-16 NF (20AX 46)	1
AW	87GC 128	PLATE, Generator Drive Shaft Nut Lock	1

11-72-224



KEY	PART NUMBER	DESCRIPTION	NO. REQ.
		<u>HYDRAULIC STEERING PUMP (Type 1)</u> B, C, F Model	
A	38QC 414AP3	PUMP, Hydraulic Steering (For Components, see back of Group)	1
B	6AX 360	Attaching Parts: SCREW	2
C	37AX 7	WASHER	2
D	590GB 1206	GASKET	1
E	32GB 35	ADAPTER, Hydraulic Steering Pump Attaching Parts:	1
F	6AX 1144	SCREW	3
G	35AX 1361	WASHER	3
H	590GB 1179	GASKET	1
J	681GB 24	DRIVEN GEAR, Hydraulic Steering Pump Attaching Parts:	1
K	21AX 769	NUT	1
L	35AX 1380	WASHER	1
M	63AX 3262	ELBOW, Hydraulic Steering Pump	1
N	63AX 3263	FITTING, Hydraulic Steering Pump Straight	1
P	56AX 379	SEAL, Hydraulic Steering Pump Straight Fitting	1
		<u>HYDRAULIC STEERING PUMP (Type 1A)</u> Same as Type 1, Except B815, B615SX, F715T, F719ST	
A	38QC 414AP2	PUMP, Hydraulic Steering (For Components, see back of Group)	1

IK

4/19/65 mes-ew



KEY	PART NUMBER	DESCRIPTION	NO. REQ.
A	38QC 418P7	<p><u>HYDRAULIC STEERING PUMP (Type 1B)</u> R-U 615 Model Same as Type 1, Except</p> <p>PUMP, Hydraulic Steering (For Components, see back of Group)</p>	1

LIFE NO.	PART NUMBER	DESCRIPTION	NO. REQ.
		<u>GASKET SET (Type 1)</u> C, B & F MODEL	
1	126SB 168 A	ENGINE GASKET SET (Without Cylinder Head & Valve Grinding Gaskets)	1
		Consists of:	
2	590GB 1146	GASKET, Compressor Air Inlet Elbow	2
3	590GB 1179	GASKET, Compressor to Aux. Drive Housing	1
4	446GC 1109	SEAL, Aux. Drive Housing to Cylinder Oil Hole	1
5	590GB 1177	GASKET, Aux. Drive Housing Timing Hole Cover	1
6	446GC 1118	SEAL, Water Pump Drive Housing	1
7	446GC 1112	SEAL, Generator Drive Shaft (Opt. with 446GC 1113)	1
8	590GB 1197	GASKET, Generator Drive Housing Cover	1
9	446GC 1111	SEAL, Generator Drive Housing Cover (Inner)	1
10	590GB 1179	GASKET, Aux. Drive Housing Cover	1
11	56AX 265	GASKET, Crankcase Breather Cap	1
12	446GC 1100	SEAL, Cylinder Camshaft Bore Plug	1
13	Not Used		
14	39AX 23	GASKET, Cyl. Main Oil Gallery Plug Rear	1
15	56AX 407	WASHER, Cyl. Bore Weep Hole Screw	8
16	590GB 1206	GASKET, Hydraulic Steering Pump	1
17	56AX 379	SEAL, Hydraulic Steering Pump Straight Fitting	1
18	446GC 1114	SEAL, Injection Pump to Aux. Drive Housing	1
19	579GB 46	GASKET, Crankcase	1
20	39AX 23	WASHER, Crankcase Drain Plug	2
21	549GB 114A	GASKET, Oil Cooler Water Inlet Fitting	1
22	549GB 114A	GASKET, Oil Cooler Bracket to Cooler (Rear)	1
23	56AX 174	GASKET, Oil Cooler Bracket to Cylinder (Rear)	1
24	56AX 285	GASKET, Oil Cooler Oil Inlet Tube Fitting	1
25	56AX 285	GASKET, Oil Cooler Oil Outlet Tube	2
26	56AX 285	GASKET, Cylinder Block Oil Outlet Elbow	1
27	590GB 1207	GASKET, Oil Filler	1
28	446GC 184	SEAL, Oil Pump Discharge Tube	1
29	590GB 1198	GASKET, Oil Pump Housing & Screen Shield	1
30	590GB 1199	GASKET, Oil Pump Housing Cover & Screen Shield	1
31	590GB 1181	GASKET, Oil Pump Inlet Tube Flange (Scavenge)	1
32	56AX 385	GASKET, Oil Pump Outlet Tube Flange	1
33	446GC 196	SEAL, Oil Pressure Relief Valve Hsg. to Cyl.	1
34	548GB 415	GASKET, Timing Gear Cover	1
34	446GC 192	RING, "O", Tachometer Drive Housing	1
36	590GB 238	GASKET, Fan Drive Bracket	1
37	446GC 159	SEAL, Water Pump Housing to Cover	1
38	446GC 1102	SEAL, Water Pump Cover (Inner)	1
39	56AX 174	GASKET, Cylinder Water Inlet Tube Fitting	1
40	56AX 390	GASKET, Cylinder Water By-Pass Fitting	1
41	446GC 1121	SEAL, Hydraulic Steering Pump to Adapter	1
42	56AX 324	SEAL, Fan Drive Pulley Shaft & Unit Bearing	1
43	126SB 167 A	VALVE GRINDING SET (Includes Cylinder Head Gasket)	1
		Consists of:	
44	56AX 384	GASKET, Overboard Breather Fitting	4
45	446GC 184	SEAL, Overboard Breather Tube "O" Ring	4
46	446GC 175	SEAL, Cyl. Head Core Hole Plug (Ends)	8
47	446GC 174	SEAL, Cyl. Head Core Hole Plug (Side & Top)	12
48	446GC 193	SEAL, Inlet Valve Guide Shield	8
49	553GB 3214A	GASKET, Cylinder Head	4
50	554GB 27	GASKET, Cylinder Head Cover	4
51	573GB 145	GASKET, Exhaust Manifold	4
52	573GB 148	GASKET, Inlet Manifold to Cylinder Head	8
53	449GC 118	SEAL, Inlet Manifold Crossover Tube Seal	2
54	590GB 1127	GASKET, Injection Nozzle Holder	8
55	590GB 1143	GASKET, Injection Nozzle Holder (Outer)	8
56	447GC 164	SEAL, Thermostat	2
57	56AX 391	GASKET, Water Outlet Fitting	2
58	601GB 33	GASKET, Center Valve Lifter Cover	1
59	601GB 210	GASKET, Rear Valve Lifter Cover	1

LINE NO.	PART NUMBER	DESCRIPTION	NO. REQ.
GASKET SET (Type 1)(Cont.) C, B & F MODEL			
60	446GC 192	SEAL, Rocker Arm Shaft End Plug	8
61	446GC 138A	SEAL, Rocker Arm Bracket Oil	4
62	56AX 387	GASKET, Water Outlet Manifold to Cylinder Head	4
63	56AX 391	GASKET, Water Outlet By-Pass Elbow	2
64	590GB 1107	GASKET, Air Cleaner Hose Elbow to Inlet Manifold	2
65	446GC 184	SEAL, Overboard Breather Fitting to Tube "O" Ring	2

Illustration #485-72-102.

KEY	PART NUMBER	DESCRIPTION	NO. REQ.
<u>SECTION 50A - 485GBA 5191P1</u>			
A	36RUA 331P68	HOSE ASSEMBLY, Filter Return Line Use Units as follows:	1
B		HOSE, medium high pressure 7/8 I.D. x 1-1/4 O.D. x 66-1/4"L. (903AXA)	1
C	63AX 2227	END, Hose	2
D	36RUA 331P58	HOSE ASSEMBLY, Filter Pressure Line Use Units as follows:	1
E		HOSE, medium high pressure 7/8 I.D. x 1-1/4 O.D. x 56-1/4"L. (903AXA)	1
F	63AX 2227	END, Hose	2
G	36RUA 310P50	HOSE ASSEMBLY, Filter By-Pass Line Use Units as follows:	1
H		HOSE, medium high pressure 5/16 I.D. x 11/16 O.D. x 48-5/8"L. (899AXA)	1
J	63AX 1719	END, Hose	2
K	83AX 51	CLAMP, Filter Inlet & Outlet Hose	4
K-1	72RU 11268	BRACKET, Hose Line Clamp (At Oil Pan) Attaching Parts:	1
K-2		SCREW, cap, 5/16-24 NF x 7/8 (Full thd.)(1AX 19)	1
K-3		NUT, Std. hex. 5/16-24 NF (20AX 2)	1
K-4		WASHER, Lock, 5/16 I.D.(36AX 22)	1
L	83AX 261	CLAMP, Filter By-Pass Line Attaching Parts:	1
M		SCREW, cap, 5/16-24 NF x 1-1/4 (7/8"thd.)(1AX 36)	1
N		NUT, hex. 5/16-24 NF (20AX 2)	1
P		WASHER, Lock, 5/16 I.D.(36AX 22)	1
Q	72RU 11120	BRACKET, By Pass Clamp	1
R	142GB 386	BRACKET, Oil Filter Mounting Attaching Parts:	2
S		SCREW, cap, 9/16-18 NF x 1-1/2 (1-3/8"thd.)(1AX 100)	4
T		NUT, hex. 9/16-18 NF (20AX 6)	4
U		WASHER, Lock, 9/16 I.D.(36AX 6)	4
V	485GB 4192B	FILTER, Oil (For Components, see back of Group) Attaching Parts:	1
W		SCREW, cap, 3/8-24 NF x 7/8 (Full thd.)(1AX 33)	4
X		NUT, hex. 3/8-24 NF (20AX 3)	4
Y		WASHER, Lock, 3/8 I.D.(36AX 3)	4
Z	37AX 472	WASHER, Flat	4
AA	63AX 305	ELBOW, Oil By-Pass Line	2
AB	63AX 2057	ELBOW, Pressure & Return Line (At Filter)	2
<u>SECTION 50B - 485GBA 5191P2</u>			
Same as 485GBA 5191P1(Section 50A)Except			
S thru U	Omit		
<u>SECTION 50C - 485GBA 5191P3</u>			
Same as 485GBA 5191P1(Section 50A)Except			
A	36RUA 331P60	HOSE ASSEMBLY, Filter Return Line	1
<u>SECTION 50D - 485GBA 5189</u>			
Same as 485GBA 5191P1(Section 50A)Except			
A	36RUA 331P40	HOSE ASSEMBLY, Filter Return Line	1
B		HOSE, medium high pressure 7/8 I.D. x 1-1/4 O.D. x 46-1/4"L. (903AXA)	1
D	36RUA 331P40	HOSE ASSEMBLY, Filter Pressure Line	1
E		HOSE, medium high pressure 7/8 I.D. x 1-1/4 O.D. x 46-1/4"L. (903AXA)	1



KEY	PART NUMBER	DESCRIPTION	NO. REQ.
SECTION 50B - 485GEA 5189 (Cont.)			
G H	36RUA 310P52	HOSE ASSEMBLY, Filter By-Pass Line HOSE, medium high pressure 5/16 I.D. x 11/16 O.D. x 50-5/8"L. (899AXA)	1 1
SECTION 50E - 485GBA 3159 Same as 485GBA 5191PI (Section 50A) Except			
A	36RUA 331P60	HOSE ASSEMBLY, Filter Return Line Use Units as follows:	1
B		HOSE, medium high pressure 7/8 I.D. x 1-1/4 O.D. x 58-1/2" L. (900AXA)	1
C	63AX 2227	END, Hose	2
G	36RUA 310P45	HOSE ASSEMBLY, Filter By-Pass Line Use Units as follows:	1
H		HOSE, medium high pressure 5/16 I.D. x 11/16 O.D. x 43-5/8"L. (899AXA)	1
J	63AX 1719	END, Hose	2
S		SCREW, cap, 9/16-18 NF x 1-1/2 (3/8"thd.)(LAX 100)	2
T		NUT, hex. 9/16-18 NF (20AX 6)	2
U		WASHER, Lock, 9/16 I.D.(36AX 6)	2
SECTION 50F - 485GBA 186 Same as 485GBA 5191PI (Section 50A) Except			
A	36RUA 1190P1	HOSE ASSEMBLY, Filter Return Line (Teflon)	1
B	Omit		
C	Omit		
D	36RUA 1190P1	HOSE ASSEMBLY, Filter Pressure Line (Teflon)	1
E	Omit		
F	Omit		
G	36RUA 255P2	HOSE ASSEMBLY, Filter By Pass Line (Teflon)	1
H	Omit		
J	Omit		
AA	63AX 2044	ELBOW, 90° Oil By Pass Line	2
SECTION 50G - 485GBA 5212 Same as 485GBA 5191PI (Section 50A) Except			
A	36RUA 310P50	HOSE ASSEMBLY, Filter Return Line HOSE, medium high pressure 5/16 I.D. x 11/16 O.D. x 48-5/8"L. (899AXA)	1
B			2
C	63AX 1719	END, hose	1
D	36RUA 310P50	HOSE ASSEMBLY, Filter Pressure Line HOSE medium high pressure 5/16 I.D. x 11/16 O.D. x 48-5/8"L. (899AXA)	1 1
E			2
F	63AX 1719	END, Hose	2
G			
Thru	Omit		
K-4			
S			
Thru	Omit		
U			
V	485GB 3116P2	FILTER, Oil (For Components, see back of Group)	1
AB	63AX 1849	ELBOW, Pressure & Return Line (At Filter)	2

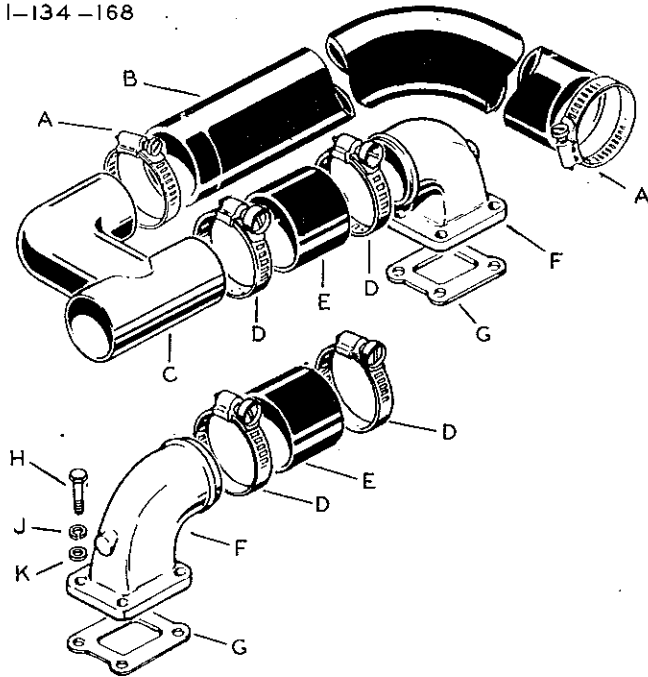


LINE NO.	PART NUMBER	DESCRIPTION	NO. REQ.
<u>SECTION 71A - 485GBA 3170</u>			
1	73RU 11960	BRACKET, Oil Filter Mounting	1
		Attaching Parts:	
2		SCREW, cap, 1/2-20 NFx 1-1/4 (Full thd.)(1AX 42)	4
3	21AX 475	NUT (1/2-20 NF)	4
4	485GB 4192D	FILTER, Oil	1
		(For Components, see back of Group)	
		Attaching Parts:	
5		SCREW, cap, 3/8-24 NFx 1 (Full thd.)(1AX 35)	8
6		NUT, hex. 3/8-24 NF (20AX 3)	8
7		WASHER, Lock, 3/8 I.D.(36AX 3)	8
8	37AX 472	WASHER, Plain	8



Quantity used is 1 unless otherwise specified in brackets ( ).

KEY	PART NUMBER	DESCRIPTION	KEY	PART NUMBER	DESCRIPTION
-----	-------------	-------------	-----	-------------	-------------



SECTION 169A - LMDA 4340

-		CLEANER, Air (See Group 1B) (Air Cleaner Mtg Arrgt)
A	83AX 455	CLAMP, Air Cln O'let Hose (2)
B	66RU 22AP73	HOSE, Air Cln O'let
C	5MD 3160	FITTING, Inl Man Tee
D	83AX 455	CLAMP, Inl Tee Hose (4)
E	160AX 281	HOSE, 4 ID Inl Tee to Man Inl Elb (2)
F	5MD 3157	ELBOW, Inl Man (2)
G	590GB 1107	Attaching Parts: GASKET (2)
H	4AX 128	SCREW, 5/16-18 NC x 1-1/2 (8)
J	36AX 22	WASHER, 5/16 ID (8)
K	37AX 63	WASHER, Flat (8)

SECTION 169B - LMDA 4400P1

For R Model W/ENDD864,END864,END864A  
Same as Section 169A Except

B	66RU 22AP45	HOSE, Air Cln O'let
C	5MD 434A	FITTING, Inl Man Tee

SECTION 169C - LMDA 4400P2

For R Model W/ENDD864,END864,END864A  
Same as Section 169A Except

A	83AX 456	CLAMP, Air Cln O'let Hose
A	83AX 455	CLAMP, Air Cln O'let Hose
B	5MD 2450	HOSE, Air Cln O'let
B-1	66RU 27P3	HOSE, Air Cln O'let
B-2	66RU 27P5	HOSE, Air Cln O'let

SECTION 169D - LMDA 1108

Same as Section 169A Except

B	66RU 22AP38	HOSE, Air Cln O'let
C	5MD 3147	FITTING, Air Cln O'let Hose



LINE NO.	PART NUMBER	DESCRIPTION	NO. REQ.
<u>SECTION 170A - 1MDA 5269</u>			
1	35RB 429	PANEL, Air Intake End	1
2	53QY 499	PANEL, Air Intake Side R.H.	1
3	53QY 4100	PANEL, Air Intake Side L.H.	1
4	7RU 2988	GUSSET, Air Intake Corner Closure	2
5	1RU 2800	ANGLE, Retainer End Panel Mounting	1



TITLE AIR CLEANER MOUNTING ARRANGEMENT

ILLUSTRATION #1-134-187.

KEY	PART NUMBER	DESCRIPTION	NO. REQ.
SECTION 208A - LMDA 4452			
A	2MD 2112A	CAP,AirCleaner Intake Tube	1
B	5MD 1185AP1	TUBE, Air Cleaner Intake	1
C	48RU 2163	CLAMP, Air Intake Tube	2
		Attaching Parts:	
D		SCREW, Cap 3/8-24 NF x 2 (1"thd.)(1AX 34)	4
E		NUT, Hex. 3/8-24 NF (20AX 3)	4
F		WASHER, Lock 3/8 I.D. (36AX 3)	4
G	48RU 2179	CLAMP,Air Intake Support Bracket	2
		Attaching Parts:	
H		SCREW, Cap, 3/8-24 NF x 7/8 (Full thd.)(1AX 33)	6
J		NUT, Hex. 3/8-24 NF (20AX 3)	6
K		WASHER, Lock, 3/8 I.D. (36AX 3)	6
L	6MD 38	BRACKET COMPLETE,Air Intake Tube Clamp Support	2
		Attaching Parts:	
M		SCREW, Cap, 3/8-24 NF x 3 (1"thd.)(1AX 27)	4
N		NUT, Hex. 3/8-24 NF (20AX 3)	4
P		WASHER, Lock, 3/8 I.D. (36AX 3)	4
Q	6MD 318	SUPPORT COMPLETE,Air Intake & Muffler	1
		Attaching Parts:	
R		SCREW, Cap, 3/8-24 NF x 1 (Full thd.)(1AX 35)	2
S		NUT, Hex. 3/8-24 NF (20AX 3)	2
T		WASHER, Lock,3/8 I.D. (36AX 3)	2
U	6MD 253	BRACKET,Air Intake & Muffler Mounting	1
		Attaching Parts:	
V		SCREW, Cap, 1/2-20 NF x 1-1/4 (Full thd.)(1AX 42)	1
W		NUT, Hex., 1/2-20 NF (20AX 5)	1
X		WASHER, Lock 1/2 I.D. (36AX 5)	1
Y	7MD 453	BRACKET, Air Cleaner Mounting	1
		Attaching Parts:	
Z		SCREW, Cap, 1/2-20 NF x 1-1/4 (Full thd.)(1AX 42)	4
AA		NUT, Hex. 1/2-20 NF (20AX 5)	4
AB		WASHER, Lock, 1/2 I.D. (36AX 5)	4
AC	2MD 395	CLEANER, Oil Bath Air	1
		(For Components, See Back of Group)	
		Attaching Parts:	
AD		SCREW, Cap,3/8-24 NF x 1 (Full thd.)(1AX 35)	4
AE		NUT, Hex. 3/8-24 NF (20AX 3)	4
AF		WASHER, Lock 3/8 I.D. (36AX 3)	4

Illustration #795-72-15.

KEY	PART NUMBER	DESCRIPTION	NO. REQ.
<u>SECTION 16A - 795GBA 551</u>			
A	235GC 44	TUBE, Crankcase Oil Filler Complete Includes:	1
B	32GB 13	ADAPTER, Filler Cap	1
C	55AX 18	FLANGE, Oil Filler Tube	1
D		Attaching Parts: SCREW, cap, 3/8-16 NC x 1-1/2 (1"thd.)(4AX 3)	1
E		WASHER, Lock, 3/8 I.D.(36AX 3)	1
F	16AX 575	STUD, Crankcase Oil Filler Tube to Engine Valve Cover	1
G		NUT, hex. 3/8-24 NF (20AX 3)	1
H		WASHER, Lock, 3/8 I.D.(36AX 3)	1
J	56AX 7	GASKET, Oil Filler Tube At Engine Valve Gear	1
K	222GB 21	CAP COMPLETE, Oil Filler Tube	1
L	715GB 424	GUIDE, Oil Level Indicator	1
-	---	OIL LEVEL INDICATOR (See Engine Group 1)	-
-	---	ADAPTER, Oil Level Indicator Guide (See Engine Group 1)	1
M	63AX 1466	NUT, Compression, Oil Level Indicator Tube	1
N	52AX 2	SLEEVE, Oil Level Indicator Tube	1
P	73RU 3381P1	BRACE, Oil Filler Tube (Long)	1
Q	73RU 3381P2	BRACE, Oil Filler Tube (Short)	1
R		Attaching Parts: SCREW, cap, 9/16-18 NF x 3/4 (Full thd.)(1AX 417)	2
S		WASHER, Lock, 9/16 I.D.(36AX 7)	2
T	---	NUT, Special (See Engine Group 1)	2
U	---	WASHER (See Engine Group 1)	2
V		SCREW, cap, 1/4-28 NF x 1 (3/4"thd.)(1AX 126)	1
W		NUT, hex. 1/4-28 NF (20AX 1)	1
X		WASHER, Lock, 1/4 I.D.(36AX 1)	1
Y	37AX 471	WASHER, Flat	1
Z	83AX 640	CLAMP, Oil Level Indicator Tube to Oil Filler Tube	1
AA		Attaching Parts: SCREW, cap, 1/4-28 NF x 7/8 (3/4"thd.)(1AX 32)	1
AB		NUT, hex. 1/4-28 NF (20AX 1)	1
AC		WASHER, Lock, 1/4 I.D.(36AX 1)	1
AD	37AX 471	WASHER, Flat	1
<u>SECTION 16B - 795GBA 553</u> Same as 795GBA 551(Section 16A)Except			
L	715GB 426	GUIDE, Oil Level Indicator	1
<u>SECTION 16C - 795GBA 563</u> Same as 795GBA 551(Section 16A)Except'			
A	235GC 412	TUBE COMPLETE, Crankcase Oil Filler	1
L	715GB 434	GUIDE, Oil Level Indicator	1
M	63AX 355	NUT, Compression Oil Level Guide to Engine	1
N	52AX 5	SLEEVE, Oil Level Guide At Engine	1
P	73RU 21615	BRACE, Oil Filler Tube (Long)	1
Q	73RU 21614	BRACE, Oil Filler Tube (Short)	1
R		SCREW, cap, 3/8-16 NC x 3/4 (Full thd.)Short Brace(4AX 17)	1
R		SCREW, Long Brace (See Engine Group 1)	1
T	Omit		
U	Omit		
V		SCREW, cap, 1/4-28 NF x 3/4 (Full thd.)(1AX 374)	1
Z	83AX 562	CLAMP, Oil Level Guide to Oil Filler Tube	1
AA		SCREW, cap, 1/4-28 NF x 5/8 (Full thd.)(1AX 8)	1

**MACK TRUCK-TRACTOR PARTS BOOK**

**TITLE** CRANKCASE OIL FILL & OIL LEVEL INDICATOR ARRANGEMENT

**GROUP** 1C **SECTION** 16

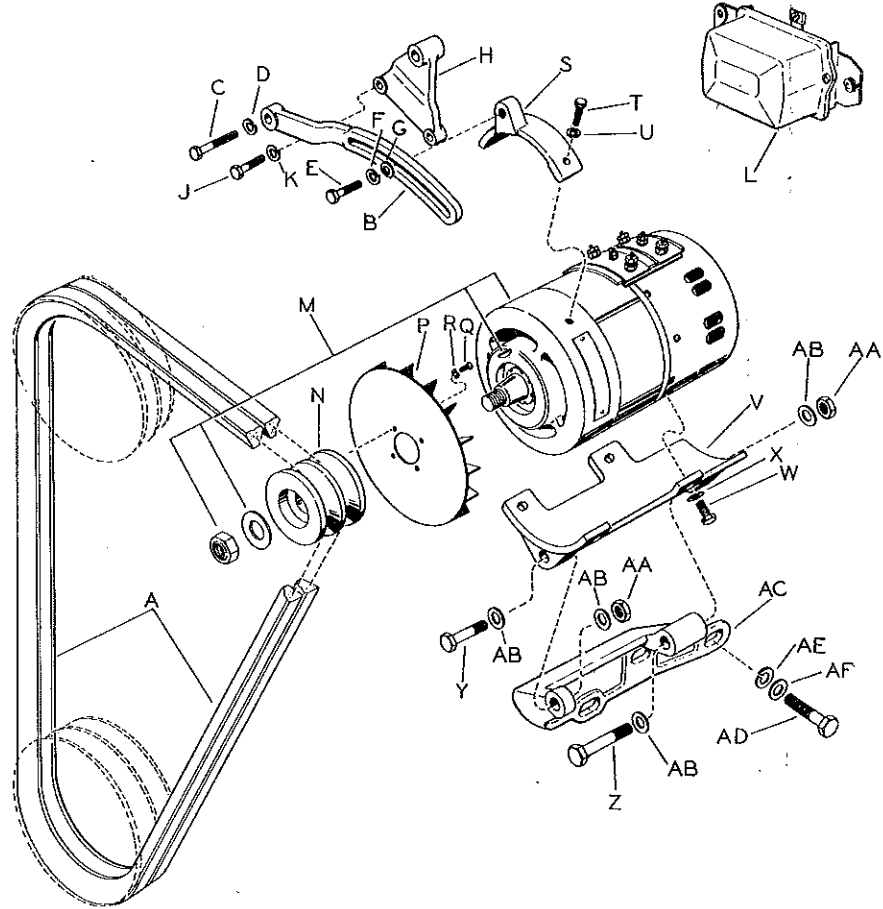
(Continued)

KEY	PART NUMBER	DESCRIPTION	NO. REQ.
		SECTION 16D - 795GBA 560 (For F715 with CA-38 Cab) Same as 795GBA 551(Section 16A)Except	
L	715GB 432	GUIDE, Oil Level Indicator	1
M	63AX 355	NUT, Compression, Oil Level Indicator Tube	1
N	52AX 5	SLEEVE, Oil Level Indicator Tube	1
V		SCREW, cap, 1/4-28 NF x 1 (3/4"thd.)(1AX 126)	2
W		NUT, hex. 1/4-28 NF (20AX 1)	2
X		WASHER, Lock, 1/4 I.D.(36AX 1)	2
Y	37AX 471	WASHER, Flat	2
Y-1	37AX 256	WASHER, Flat	2
Z	83AX 562	CLAMP, Oil Level Indicator Tube to Oil Filler Tube	1
AD-1	83AX 247	CLAMP, Oil Level Indicator	1
		Attaching Parts:	
AD-2		SCREW, cap, 3/8-16 NC x 5/8(Full thd.)(4AX 34)	1
AD-3		WASHER, Lock, 3/8 I.D.(36AX 3)	1



Quantity used is 1 unless otherwise specified in brackets ( ).

KEY	PART NUMBER	DESCRIPTION	KEY	PART NUMBER	DESCRIPTION
-----	-------------	-------------	-----	-------------	-------------



KEY	PART NUMBER	DESCRIPTION	KEY	PART NUMBER	DESCRIPTION
<b>SECTION 110A - 1MJA 5315P1</b>					
<b>"F" Model, Super Pumper &amp; Trailer</b>					
A	88GB 354P13	BELT, Alternator & Fan	X	36AX 3	WASHER, Lock (4)
B	4MJ 274	LINK, Alternator Adj	Y	1AX 115	SCREW, Alternator Mtg 5/8-18 NF Prt
C	1AX 42	SCREW, 1/2-20 NF	Z	1AX 115	SCREW, Alternator Mtg 5/8-18 NF x 2 Rr
D	36AX 5	WASHER, 1/2 ID	AA	21AX 317	Att Parts:
E	4AX 150	SCREW, 3/8-16 NC	AB	37AX 473	NUT (2)
F	36AX 3	WASHER, 3/8 ID	AC	3MJ 3122	WASHER, Flat (4)
G	37AX 472	WASHER,	AD	4AX 4	BRACKET, Alternator Supt
G-1	37AX 138	SPACER	AE	36AX 4	Att Parts:
H	23MJ 236	BRACKET, Adj Lnk Mtg	AF	37AX 256	SCREW, 7/16-14 NC (3)
J	6AX 62	SCREW, 3/8-16 NC (2)			WASHER, 7/16 ID (3)
K	36AX 3	WASHER, 3/8 ID (2)			WASHER, Flat (3)
L	9MJ 255	REGULATOR, Voltage (See Comp)	<b>SECTION 110B - 1MJ 5339</b>		
M	2MJ 280P1	ALTERNATOR, (See Comp)	Model B81		
N	309GC 335	PULLEY, Alt Drv	Same as Section 110A except		
P	---	FAN, Alternator Cooling	A	88GB 354P9	BELT, Alternator & Fan (2)
Q	130AX 801	SCREW, #10-32 NF (4)	B	4MJ 1101	LINK, Alternator Adj
R	36AX 14	WASHER, #10 ID (4)	C	4AX 3	SCREW, 3/8-16 NC
S	23MJ 218	BRACKET, Alternator Mtg Up	D	36AX 3	WASHER, 3/8 ID
T	4AX 58	SCREW, 3/8-16 NC (2)	E	4AX 16	SCREW, 3/8-16 NC
U	36AX 3	WASHER, 3/8 ID	G	37AX 366	WASHER, Flat
V	23MJ 241	BRACKET, Alternator Mtg Low	G-1	35AX 1124	SPACER
W	4AX 58	SCREW, 3/8-16 NC (3)	H )		
W-1	6AX 1056	SCREW, 3/8-16 NC	Thru) Omit		
			K )		
			L	9MJ 237P1	REGULATOR, Voltage (See Comp)
			M	2MJ 260P1	ALTERNATOR, (See Comp)
			N	302GC 2172	PULLEY, Alternator Drv





TRUCK-TRACTOR PARTS BOOK

TITLE ALTERNATOR MOUNTING ARRANGEMENT

GROUP 1D SECTION 110

(Continued)

Quantity used is 1 unless otherwise specified in brackets ( ).

KEY	PART NUMBER	DESCRIPTION	KEY	PART NUMBER	DESCRIPTION
<u>SECTION 110B - 1MJ 5339 (Cont)</u>					
S	23MJ 359	BRACKET, Alternator Mtg Up			
T	4AX 17	SCREW, 3/8-16 NC (2)			
V	23MJ 356	BRACKET, Alternator Mtg Low			
W	4AX 58	SCREW, 3/8-16 NC (4)			
Y	4AX 25	SCREW, 1/2-13 NC Alternator Mtg (Frt)			
Z	4AX 25	SCREW, 1/2-13 NC Alternator Mtg (Rr)			
AA	Omit				
AB	36AX 5	WASHER, 1/2 ID (2)			
AC	3MJ 382	BRACKET, Alternator Supt			
AD	4AX 66	SCREW, 1/2-13 NC (3)			
AE	36AX 5	WASHER, 1/2 ID (3)			
AF	37AX 10	WASHER, Flat (3)			



# MACK TRUCK-TRACTOR PARTS BOOK

## GROUP #1F - ENGINE FRAME SUPPORT ARRANGEMENT SECTION 3

NOTE: Key Letters Indicated on Illustration #22-1712-1.

KEY	PART NUMBER	DESCRIPTION	NO. REQ.
<u>SECTION 3A - 22QLA 42P1</u>			
A	19QL 323P1	BRACKET, Tow Clevis	1
B	1AX 501	Attaching Parts: BOLT, Finished Hexagon (Front Bracket)	2
C	21AX 360	NUT, Lock	2
D	35AX 1367	WASHER, Flat	2
E	1AX 94	BOLT, Finished Hexagon (Rear Bracket)	1
F		NUT, Hex. finished 1/2-20 NF (20AX 5)	1
G		WASHER, Lock, medium 1/2 I.D. (36AX 5)	1
H	Not Used	WASHER, Flat (Under Bolt Head)	
J	72RU 1957	BRACKET, Hose Support Clamp	1
K	10QLA 2110P2	SUPPORT, Engine Front	1
K-1	12QL 210A	Includes: CAP, Engine Support	1
L	6AX 949	SOCKET, Head Cap Screw	2
M	Not Used	WASHER, Flat	
N		WASHER, Lock, medium 5/8 I.D. (36AX 7)	2
P		Attaching Parts: SCREW, Cap, Hex. hd. 5/8-18 NF x 2-3/4 (1-1/2" thd.) (1AX 405)	4
Q	21AX 360	NUT, Lock	4
R	35AX 1367	WASHER, Flat	8
T	3AX 1649	CAPSCREW, Shoulder Type, R.H. Front Spring Front Bracket	2
U	21AX 360	Attaching Parts: NUT, Lock	2
V	35AX 1367	WASHER, Flat	1
W	35AX 1269	WASHER, Flat	2
X	3AX 1650	CAPSCREW, Shoulder Type, Rear L.H. Front Spring Front Bracket	1
Y	21AX 360	Attaching Parts: NUT, Lock	1
Z	Not Used	WASHER, Flat	
AA	3AX 1646	CAPSCREW, Shoulder Type, Front Spring Rear Bracket	4
AB	21AX 360	Attaching Parts: NUT, Lock	4
AC	35AX 1367	WASHER, Flat	8
AD	11QL 4288P2	BRACKET, Engine Rear, R.H.	1
AE	3AX 1684	Attaching Parts: CAPSCREW, Shoulder Type	4
AF	21AX 360	NUT, Lock	4
AG	35AX 1367	WASHER, Flat	8
AH	11QLA 4288P1	BRACKET, Engine Rear, L.H.	1
AJ	3AX 1684	Attaching Parts: CAPSCREW, Shoulder Type	4
AK	21AX 360	NUT, Lock	4
AL	35AX 1367	WASHER, Flat	8

# MACK TRUCK-TRACTOR PARTS BOOK

## GROUP #1F - ENGINE FRAME SUPPORT ARRANGEMENT SECTION 3 - (Continued)

KEY	PART NUMBER	DESCRIPTION	NO. REQ.
<u>SECTION 3B - 22QLA 42P2</u>			
Same as 22QLA 42P1 (Section 3A) Except			
AD	11QL 4288P1	BRACKET, Engine Rear, R.H.	1
AH	11QL 4288P2	BRACKET, Engine Rear, L.H.	1
<u>SECTION 3C - 22QLA 42P3</u>			
Same as 22QLA 42P1 (Section 3A) Except			
K	10QLA 2110P3	SUPPORT, Engine Front	1
P		SCREW, Cap, Hex. hd. 5/8-18 NF x 2-3/4 (1-1/2" thd.) (1AX 405)	7
Q	21AX 360	NUT, Lock	7
R	35AX 1367	WASHER, Flat	13
T	3AX 1645	CAPSCREW, Shoulder Type, R.H. Front Spring Front Bracket	2
X		SCREW, Cap, Hex. hd. 5/8-18 NF x 4-1/4 (1-3/4" thd.) (1AX 131)	1
AD	11QL 4288P1	BRACKET, Engine Rear, R.H.	1
AH	11QL 4288P2	BRACKET, Engine Rear, L.H.	1
<u>SECTION 3D - 22QLA 42P4</u>			
Same as 22QLA 42P1 (Section 3A) Except			
K	10QLA 2110P3	SUPPORT, Engine Front	1
P		SCREW, Cap, Hex. hd. 5/8-18 NF x 2-3/4 (1-1/2" thd.) (1AX 405)	7
Q	21AX 360	NUT, Lock	7
R	35AX 1367	WASHER, Flat	13
T	3AX 1645	CAPSCREW, Shoulder Type, R.H. Front Spring Front Bracket	13
X		SCREW, Cap, Hex. hd. 5/8-18 NF x 4-1/4 (1-3/8" thd.) (1AX 131)	1
<u>SECTION 3E - 22QLA 42P5</u>			
Same as 22QLA 42P1 (Section 3A) Except			
H	37AX 474	WASHER, Flat (Under Bolthead)	1
K	10QLA 2110P14	SUPPORT, Engine Front	1
AD	11QL 4283P2	BRACKET, Engine Rear, R.H.	1
AH	11QL 4283P1	BRACKET, Engine Rear, L.H.	1
<u>SECTION 3F - 22QLA 42P6</u>			
Same as 22QLA 42P1 (Section 3A) Except			
H	37AX 474	WASHER, Flat (Under Bolthead)	1
K	10QLA 2110P14	SUPPORT, Engine Front	1
AD	11QL 4283P1	BRACKET, Engine Rear, R.H.	1
AH	11QL 4283P2	BRACKET, Engine Rear, L.H.	1

KEY	PART NUMBER	DESCRIPTION	NO. REQ.
		<u>SECTION 3T - 22QLA 413</u> Same as 22QLA 42P1(Section 3A)Except	
A	19QL 323P3	BRACKET, Tow Clevis	1
K	10QLA 2117P2	SUPPORT, Engine Front	1
P		SCREW, cap, 5/8-18 NF x 2-1/2 (1-1/2"thd.)(LAX 270)	6
Q	21AX 360	NUT, Lock	6
R	35AX 1367	WASHER, Flat	12
T	3AX 1645	CAPSCREW, Shoulder Type R.H.Front Spring Front Bracket	2
Z	35AX 1269	WASHER, Flat	1
AD	11QL 2127P2	BRACKET, Engine Rear R.H.	1
AH	11QL 2127P1	BRACKET, Engine Rear L.H.	1
		<u>SECTION 3U - 22QLA 16</u> Same as 22QLA 42P1(Section 3A)Except	
AD Thru AL	} } Omit		
		<u>SECTION 3V - 22QLA 18</u> F Model W/I.C.Reinf. CI50 & END864 Same as 22QLA 42P1(Section 3A)Except	
AD	11QL 2127P4	BRACKET, Engine Rear R.H.	1
AH	11QL 2127P3	BRACKET, Engine Rear L.H.	1
		<u>SECTION 3W - 22QLA 19</u> F Model W/I.C.Reinf. END864 Same as 22QLA 42P1(Section 3A)Except	
AD	11QL 2127P3	BRACKET, Engine Rear R.H.	1
AH	11QL 2127P4	BRACKET, Engine Rear L.H.	1
		<u>SECTION 3X - 22QLA 21</u> F Model END864 Same as 22QLA 42P1(Section 3A)	
		NO PART NUMBER CHANGES.	
		<u>SECTION 3Y - 22QLA 22P1</u> F715 W/I. C.Reinf. Same as 22QLA 42P1(Section 3A)Except	
AD	11QL 3326	BRACKET, Engine Rear R.H.	1
AH	11QL 3327	BRACKET, Engine Rear L.H.	1
		<u>SECTION 3Z - 22QLA 22P2</u> F715 W/O I.C.Reinf. Same as 22QLA 42P1(Section 3A)Except	
AD	11QL 3341	BRACKET, Engine Rear R.H.	1
AH	11QL 3342	BRACKET, Engine Rear L.H.	1
		<u>SECTION 3AA - 22QLA 22P3</u> F715 W/O I.C.Reinf. Same as 22QLA 42P1(Section 3A)Except	
AD	11QL 3326	BRACKET, Engine Rear R.H.	1
AD-1	71RU 12361	SPACER, Engine Rear Bracket R.H.	1



KEY	PART NUMBER	DESCRIPTION	NO. REQ.
SECTION 3AB - 22QLA 25P1			
Same as 22QLA 42P1 (Section 3A) Except			
H	37AX 474	WASHER, Flat (Under Bolt Head)	1
K	10QLA 2110P14	SUPPORT, Engine Front	1
AD	11QL 3326	BRACKET, Engine Rear, R.H.	1
AD-1	71RU 12361	SPACER, Engine Rear Bracket	1
AH	11QL 3327	BRACKET, Engine Rear, L.H.	1
AH-1	71RU 12361	SPACER, Engine Rear Bracket	1

Illustration #15-1712-68.

KEY	PART NUMBER	DESCRIPTION	NO. REQ.
<u>SECTION 52A - 15QLA 460</u>			
<u>SUPER PUMPER</u>			
A	95RS 1986	PUMP, Fire (See De Laval Parts List Furnished with Mack Service Manual)	1
B	62RU 117	SHAFT, Pump Drive (See Napier Parts List Service Manual to be Furnished with Mack Service Manual)	1
C	111RD 11	ENGINE, Auxiliary (See Napier Parts List Service Manual to be Furnished with Mack Service Manual)	1
D	43RU 1539P1	Attaching Parts: SCREW (3/4-16 NF)	2
E		SCREW, Cap, 3/4-16 NF x 3-1/2 (1-3/4" thd.) (LAX 178)	14
E-1	21AX 440	NUT (3/4 - 16 NF)	16
E-2	37AX 476	WASHER, Plain	16
F	66RU 171	HOSE, Air Intake Elbow	1
G	92RU 247	CONNECTION, Engine Air Intake Flexible	1
H	83AX 628	CLAMP, Air Intake Elbow Hose	8
H	83AX 455	CLAMP, Air Intake Elbow Hose	4
J	66RU 172	HOSE, Butterfly Valve (At Air Cleaner)	1
K	93RU 1202	FLANGE, Butterfly Valve Hose Attaching Parts: SCREW, Cap, 1/4-28 NF x 1-1/8 (3/4" thd.) (LAX 403)	1
L		NUT (1/4-28 NF)	12
L-1	21AX 441	WASHER, Plain	12
L-2	37AX 471	CLAMP, Butterfly Valve Hose	12
M	83AX 628	CLAMP, Butterfly Valve Hose	4
M	83AX 455	CLAMP, Butterfly Valve Hose	2
N	---	VALVE, Butterfly (Furnished with Engine)	1
P		Attaching Parts: SCREW, Cap, 3/8-24 NF x 2-3/4 ( thd.) (LAX 93 )	12
P-1	21AX 313	NUT (3/8-24 NF)	12
P-2	37AX 472	WASHER, Plain	12
P-3	93RU 254	FLANGE, Engine Air Intake	1
Q	23ME 27	CONNECTION, Flexible Exhaust Attaching Parts: SCREW (5/16-22 BSF thd.) (Furnished with Engine)	1
R	---	WASHER, Lock, 5/16 I.D. (36AX 22)	18
R-1		SCREW, Cap, 3/8-24 NF x 2 (1" thd.) (LAX 34)	18
S		NUT (3/8-24 NF)	18
S-1	21AX 313	WASHER, Plain	18
S-2	37AX 472		18

Illustration #15-1712-70.

KEY	PART NUMBER	DESCRIPTION	NO. REQ.
<u>SECTION 65A - 15QLA 463</u>			
A	11QL 4403	SUPPORT, Engine Rear R.H.	1
B	11QL 4404	SUPPORT, Engine Rear L.H.	1
C		Attaching Parts:	
C-1		SCREW, cap, 5/8-11 NC x 1-1/2 (Full thd.)(4AX 70)	8
D		WASHER, Lock, 5/8 I.D.(36AX 7)	8
D-1		SCREW, cap, 1/2-13 NC x 2-1/4 (1-1/4"thd.)(4AX 220)	6
D-1		WASHER, Lock, 1/2 I.D.(36AX 5)	6
E	72RU 2535	BRACKET, Oil Filter	1
F		Attaching Parts:	
F-1		SCREW, cap, 1/2-13 NC x 2-1/2 (1-1/4"thd.)(4AX 290)	2
F-1		WASHER, Lock, 1/2 I.D.(36AX 5)	2
G	11QL 3320 P1	BRACKET, Engine & Transmission Support	1
G-1	11QL 3320 P2	BRACKET, Engine & Transmission Support	1
H	3AX 1646	Attaching Parts:	
J	21AX 360	SCREW (5/8-18 NF)	8
J-1		NUT (5/8-18 NF)	4
J-1		WASHER, Lock, 11/16 I.D.(36AX 8)	4
J-2	35AX 1367	WASHER, Plain	8
K	107MF 21P11	RUBBER, Engine Mounting (Upper)	4
L	107MF 21P10	RUBBER, Engine Mounting (Lower)	4
M		Attaching Parts:	
N	21AX 360	SCREW, cap, 5/8-18 NF x 3-3/4 (1-3/8"thd.)(1AX 141)	4
N-1	37AX 172	NUT (5/8-18 NF)	4
N-1		WASHER, Flat	4
P	73RU 3473	BRACKET, Outrigger Mounting R.H.	1
Q	73RU 3474	BRACKET, Outrigger Mounting L.H.	1
R	3AX 1646	Attaching Parts:	
S	21AX 360	SCREW (5/8-18 NF)	4
S-1	35AX 1367	NUT (5/8-18 NF)	4
S-1		WASHER, Plain	4
<u>SECTION 65B - 15QLA 473P1</u>			
MB605S W/Allison HT70 Transmission Same as 15QLA 463(Section 65A)Except			
A	11QL 56	SUPPORT, Engine Rear R.H.	1
B	11QL 57	SUPPORT, Engine Rear L.H.	1
C		SCREW, cap, 1/2-13 NC x 1-1/2 (1-1/4"thd.)(4AX 25)	8
C-1		WASHER, Lock (36AX 5)	8
D		SCREW, cap, 1/2-13 NC x 2 (1-1/4"thd.)(4AX 289)	4
D		SCREW, cap, 1/2-13 NC x 1-1/2 (1-1/4"thd.)(4AX 25)	4
D-1		WASHER, Lock (36AX 5)	8
E			
Thru	Omit		
F-1			
G	11QL 3336	BRACKET, Engine & Transmission Support (Frame)	2
G-1	Omit		
H	3AX 1645	SCREW (5/8-18 NF)	4
H	3AX 1646	SCREW (5/8-18 NF)	2
H	3AX 1644	SCREW (5/8-18 NF)	2
M		SCREW, cap, 5/8-18 NF x 3-1/2 (1-1/2"thd.)(1AX 170)	4
P			
Thru	Omit		
S-1			
<u>SECTION 65C - 15QLA 473P2</u>			
MB605T W/Allison HT70 Transmission Same as 15QLA 463(Section 65A)Except			
A	11QL 58	SUPPORT, Engine Rear R.H.	1
B	11QL 59	SUPPORT, Engine Rear L.H.	1
C		SCREW, cap, 1/2-13 NC x 1-1/2 (1-1/4"thd.)(4AX 25)	8
C-1		WASHER, Lock (36AX 5)	8
D		SCREW, cap, 1/2-13 NC x 2 (1-1/4"thd.)(4AX 289)	4
D		SCREW, cap, 1/2-13 NC x 1-1/2 (1-1/4"thd.)(4AX 25)	4



TITLE ENGINE & TRANSMISSION MOUNTING ARRANGEMENT

KEY	PART NUMBER	DESCRIPTION	NO. REQ.
<u>SECTION 65C - 159LA 473P2(Cont.)</u>			
D-1		WASHER, Lock (36AX 5)	8
E	Omit		
Thru			
F-1			
G	11QL 3336	BRACKET, Engine & Transmission Support (Frame)	2
G-1	71RU 12358	SPACER	2
H	3AX 1645	SCREW (5/8-18 NF)	4
H	3AX 1646	SCREW (5/8-18 NF)	2
H	3AX 1644	SCREW (5/8-18 NF)	2
M		SCREW, cap, 5/8-18 NF x 3-1/2 (1-1/2"thd.)(1AX 170)	4
P	Omit		
Thru			
S-1			

MACK CHASSIS NUMBER MUST ALWAYS BE GIVEN WITH PART NUMBER WHEN ORDERING.





TITLE FRONT ENGINE MOUNTING ARRANGEMENT

NOT: Key Letters Indicated on Illustration #45-1712-20.

KEY	PART NUMBER	DESCRIPTION	NO. REQ.
<u>SECTION 16A - 45QLA 3101</u>			
A	10QLA 396	BRACKET & CAP ASSY., Engine Front Support	1
		Includes:	
B		SCREW, Cap, Hex. Hd. 1/2-20 NF x 1-3/4 (1-1/4" thd.)(1AX 108)	2
C		WASHER, Lock, Medium 1/2 I.D. (36AX 5)	2
		Attaching Parts:	
D		SCREW, Cap, Hex. Hd. 5/8-18 NF x 4-1/2 (1-1/2" thd.) (1AX 225)	2
E	21AX 360	NUT, 5/8-18	2
F	35AX 682	WASHER, (21/32 I.D. )Upper	2
G	35AX 682	WASHER, (21/32 I.D. )Lower	2
H	20QL 235	INSULATOR, Engine Front Support	2
<u>SECTION 16B - 45QLA 278P1</u>			
A	)	BRACKET & CAP ASSY., Engine Front Support	
thru	)	(See Group 14)	
G	)		
H	20QL 1119	INSULATOR, Engine Front Support	2
<u>SECTION 16C - 45QLA 278P2</u>			
A	} thru	BRACKET & CAP ASSY., Engine Front Support	2
G			
H	20QL 1127	INSULATOR, Engine Front Support	2
<u>SECTION 16D - 45QLA 291</u>			
A	10QLA 291P3	BRACKET & CAP ASSY., Engine Front Support	1
		Includes:	
B	6AX 836	SCREW	2
C		WASHER, Lock, 5/8 I.D. (36AX 7)	2
		Attaching Parts:	
D		SCREW, Cap, 5/8-18 NF x 4-3/4 (1-3/8" thd.)(1AX 358)	2
F	35AX 1252	WASHER, Flat	4
G	44RU 1840	SPACER, Bracket & Cap Assy.	2
H	20QL 1132	INSULATOR, Engine Front Support	1

TACHOMETER ADAPTER MOUNTING ARRANGEMENT

LINE NO.	PART NUMBER	DESCRIPTION	NO. REQ.
<u>SECTION 4A - 62MTA 32</u>			
1	93RU 256	FLANGE, Hydraulic Motor Tachometer Adapter Mounting	1
2		Attaching Parts:	
3		SCREW, machine rd. Phillipshd. #10-32 NF x 5/8(130AX 803)	4
4		WASHER, Lock, #10 I.D.(36AX 14)	4
5	90RU 1188	ADAPTER, Hydraulic Motor Tachometer	1
6	12QD 1248	BEARING, Hydraulic Motor Tachometer Adapter	1
7	119AX 3616	ADAPTER, Tachometer	1
8	97AX 70	RING, Retaining (External)	1
	97AX 119	RING, Retaining (Internal)	1

Illustration #238-73-12.

KEY	PART NUMBER	DESCRIPTION	NO. REQ.
<u>SECTION 25A - 238GCA 453</u>			
A	238GC 276	TUBE, Breather L.H.(Upper)	1
B		Attaching Parts:	
C		NUT, hex. 3/8-24 NF (20AX 3)	1
D		WASHER, Lock, 3/8 I.D.(36AX 3)	1
E	446GC 184	SEAL, Breather Tube Upper (L.H. & R.H.)	2
F	83AX 452	HOSE, Neoprene 1" I.D. x 3"L. 3/16-7/32 wall, 2 ply(Engine Breather Tube)(160AX 7)	2
G	238GC 277A	CLAMP, Engine Breather Tube Hose	4
H		TUBE, Engine Breather Lower (L.H.)	1
J		Attaching Parts:	
K		SCREW, cap, 3/8-16 NC x 3/4 (Full thd.)(4AX 17)	1
L		WASHER, Lock, 3/8 I.D.(36AX 3)	1
M	238GC 298	TUBE, Engine Breather Upper (R.H.)	1
N		Attaching Parts:	
P		NUT, hex. 3/8-24 NF (20AX 3)	1
Q		WASHER, Lock, 3/8 I.D.(36AX 3)	1
R	238GC 297	TUBE, Engine Breather Lower (R.H.)	1
S	48RU 1572	CLAMP, Engine Breather Tube Lower (R.H.Only)	1
T		Attaching Parts:	
		SCREW, machine rd. Phillips hd. #10-32 NF x 3/4 (130AX 804)	1
		NUT, hex. stl. #10-32 NF (53AX 6)	1
		WASHER, Lock, #10 I.D.(36AX 14)	1
	37AX 471	WASHER, Flat	1

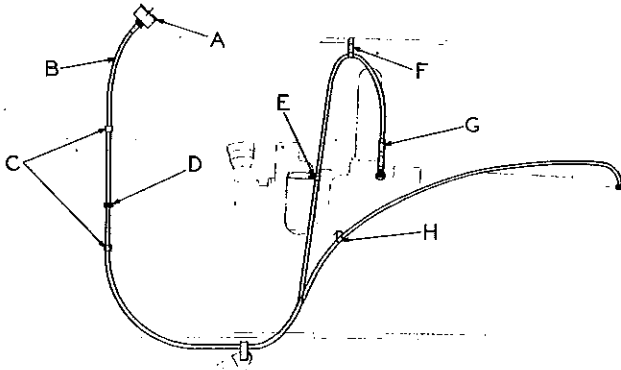


TITLE TACHOMETER CABLE ARRANGEMENT

Quantity used is 1 unless otherwise specified in brackets ( ).

KEY	PART NUMBER	DESCRIPTION	KEY	PART NUMBER	DESCRIPTION
-----	-------------	-------------	-----	-------------	-------------

17-1320-16



E	83AX 625	CLAMP, Tach Cable
F-1	83AX 678	CLAMP, Tie Rod Tach Cable (2)
F-2	Omit	

SECTION 32G - 17MTA 450P2  
Same as Section 32A except

B	54MT 315	CABLE ASSY, Tach
C	83AX 680	CLAMP, Tach Cable
E	83AX 625	CLAMP, Tach Cable
F		
Thru	Omit	
H		

SECTION 32A - 17MTA 429P1

A		TACHOMETER, (See Grp 15AC)
B	98AX 1414	CABLE ASSY, Tach 128"L
C	83AX 533	CLAMP, Tach Cable
D	87AX 2	GROMMET, Tach Cable
E	83AX 338	CLAMP, Tach Cable
F	83AX 533	CLAMP, Tach Cable
F-1	83AX 575	CLAMP, Tie Rod Tach Cable
F-2	83AX 669	CLAMP, Tie Rod Tach Cable
Att Parts:		
F-3	1AX 126	SCREW, 1/4-28 NF x 1 (2)
F-4	20AX 1	NUT, 1/4-28 NF (2)
F-5	36AX 1	WASHER, 1/4 ID (2)
G	48RU 1102	CLAMP, Tach Cable
H	Not Used	

SECTION 32B - 17MTA 429P2  
Same as Section 32A except

B	98AX 1411	CABLE ASSY, Tach 118"L
E		
Thru	Omit	
G		
H	83AX 625	CLAMP, Tach Cable

SECTION 32C - 17MTA 429P3  
Same as Section 32A except

B	98AX 3905	CABLE ASSY, Tach 108"L
E		
Thru	Omit	
G		
H	83AX 625	CLAMP, Tach Cable

SECTION 32D - 17MTA 429P4  
Same as Section 32A except

B	98AX 2708	CABLE ASSY, Tach 128"L
---	-----------	------------------------

SECTION 32E - 17MTA 429P6  
Same as Section 32A except

B	98AX 2407	CABLE ASSY, Tach 109"L
E		
Thru	Omit	
G		
H	83AX 625	CLAMP, Tach Cable

SECTION 32F - 17MTA 450P1  
Same as Section 32A except

B	54MT 34P128	CABLE ASSY, Tach
C	83AX 680	CLAMP, Tach Cable



Illustration #1-138-2.

KEY	PART NUMBER	DESCRIPTION	NO. REQ.
A	2MH 414P31	SECTION 1A - 1MHA 318P1 N60 w/END464 or N613 w/END673 FAN, Engine Cooling	1
B		Attaching Parts:	6
C		SCREW, cap, 3/8-16 NC x 7/8 (Full thd.)(4AX 58)	6
D	Not Used	WASHER, Lock, 3/8 I.D.(36AX 3)	6
A	2MHA 341	SECTION 1B - 1MHA 318P2 Same as 1MHA 318P1(Section 1A)Except N61 w/END673 FAN, Engine Cooling	1
A	2MHA 341A	SECTION 1C - 1MHA 318P3 Same as 1MHA 318P1(Section 1A)Except G-75 w/END673 FAN, Engine Cooling	1
B		SCREW, cap, 3/8-16 NC x 1-3/4 (1"thd.) (6AX 62)	6
D	24MH 141	SPACER, Fan	1
A	2MHA 49AP15	SECTION 1D - 1MHA 318P4 Same as 1MHA 318P1(Section 1A)Except G753 w/END673 FAN, Engine Cooling	1
B		SCREW, cap, 3/8-16 NC x 1-3/4 (1"thd.)(6AX 62)	6
D	24MH 141	SPACER, Fan	1
B		SECTION 1E - 1MHA 113 Same as 1MHA 318P1(Section 1A)Except G753 w/ENDL674 SCREW, cap, 3/8-16 NC x 1-3/4 (1"thd.)(6AX 62)	6
D	24MH 141	SPACER, Fan	1
A	2MH 414P53	SECTION 1F - 1MHA 319 Same as 1MHA 318P1(Section 1A)Except N-42 Model FAN, Engine Cooling	1
B		SCREW, cap, 3/8-16 NC x 1 (Full thd.)(4AX 1)	6
A	2MH 414P54	SECTION 1G - 1MHA 213 Same as 1MHA 318P1(Section 1A)Except G753 w/END864 FAN, Engine Cooling	1
B		SCREW, cap, 3/8-16 NC x 1 (Full thd.)(4AX 1)	6
A	2MH 414P56	SECTION 1H - 1MHA 214P1 Same as 1MHA 318P1(Section 1A)Except For END673, END711, EN540, EN707B FAN, Engine Cooling	1
B	*	SCREW	
C	*	WASHER	
A	2MH 414P55	SECTION 1J - 1MHA 214P2 Same as 1MHA 318P1(Section 1A)Except For END673P FAN, Engine Cooling	1
B	*	SCREW	
C	*	WASHER	
A	2MH 414P54	SECTION 1K - 1MHA 214P3 Same as 1MHA 318P1(Section 1A)Except For END864 FAN, Engine Cooling	1
B		SCREW, cap, 3/8-16 NC x 3/4 (Full thd.)(4AX 17)	6
*Fan Mounting Parts Are Furnished On Engine(Fan Driven Pulley, Water Pump Section) Mack Engine See Group 1 Cummins Engine See Cummins Parts Book			

KEY	PART NUMBER	DESCRIPTION	NO. REQ.
A B D	2MH 420P5	SECTION 1L - LMHA 214P4 Same as LMHA 318P1(Section 1A) Except For ENDT864, ENDT865 FAN, Engine Cooling	1
		SCREW, cap, 3/8-16 NC x 1-1/4 (1"thd.)(4AX 16)	6
	24MH 212P7	SPACER, Fan	1
A B	2MH 349P2	SECTION 1M - LMHA 214P5 Same as LMHA 318P1(Section 1A) Except For NH220, NH250 FAN, Engine Cooling	1
		SCREW, cap, 3/8-16 NC x 2-1/4 (1"thd.)(4AX 124)	6
A B C	2MH 418P2	SECTION 1N - LMHA 214P6 Same as LMHA 318P1(Section 1A) Except For NT-6-B, NT-280B, NHS-6-B, NRT-6-B, NHRS-6B FAN, Engine Cooling	1
		* SCREW	
		* WASHER	
A B C	2MH 420P4	SECTION 1P - LMHA 214P7 Same as LMHA 318P1(Section 1A) Except For NT335 FAN, Engine Cooling	1
		* SCREW	
		* WASHER	
B C		SECTION 1Q - LMHA 114 Same as LMHA 318P1(Section 1A) Except For ENDT674	
		* SCREW	
		* WASHER	
A B D	2MH 414P58	SECTION 1R - LMHA 214P8 Same as LMHA 318P1(Section 1A) Except For Cummins V-8-265 FAN, Engine Cooling	1
		SCREW, cap, 3/8-16 NC x 1-1/2 (1"thd.)(4AX 194)	6
	24MH 154	SPACER, Fan	1
A B D	2MH 421	SECTION 1S - LMHA 216 Same as LMHA 318P1(Section 1A) Except B615 FAN, Engine Cooling	1
		SCREW, cap, 3/8-24 NF x 1-1/4 (1"thd.)(1AX 24)	1
	101RD 112	RETAINER, Fan	1
A B C D	2MH 414P59	SECTION 1T - LMHA 217 Same as LMHA 318P1(Section 1A) Except MB401 FAN, Engine Cooling	1
	8183 153791	SCREW	4
	8183 803068	WASHER, Lock	4
	90RU 1173	ADAPTER, Fan	1
A B D	2MH 414P54	SECTION 1U - LMHA 212 Same as LMHA 318P1(Section 1A) Except R621 FAN, Engine Cooling	1
		SCREW, cap, 3/8-24 NF x 1-1/4 (1"thd.)(1AX 24)	6
	101RD 112	RETAINER, Fan	1

\*Fan Mounting Parts Are Furnished on Engine(Fan Driven Pulley,  
 Water Pump Section) Mack Engine See Group 1  
 Cummins Engine See Cummins Parts Book

# MACK TRUCK-TRACTOR PARTS BOOK

GROUP #1P - DIESEL ENGINE STARTING MOTOR MOUNTING ARRANGEMENT  
SECTION 75

LINE NO.	PART NUMBER	DESCRIPTION	NO. REQ.
<u>SECTION 75A - 8MJA 254P1</u>			
1	8MJ 4107	MOTOR, Starting (24 Volt) (For Components, see back of Group)	1
2		Attaching Parts: SCREW, cap, hex.hd. 5/8-11 NC x 1-3/4 (1-1/2"thd.)(4AX 172)	3
3	35AX 921	WASHER, Shakeproof	3
4	Not Used		
<u>SECTION 75B - 8MJA 254P2</u>			
Same as 8MJA 254P1(Section 75A)Except			
1	8MJ 498P2	MOTOR, Starting (24 Volt) (For Components, see back of Group)	1
<u>SECTION 75C - 8MJA 254P3</u>			
Same as 8MJA 254P1(Section 75A)Except			
1	8MJ 498P2	MOTOR, Starting (24 Volt) (For Components, see back of Group)	1
2	Omit		
3	Omit		
<u>SECTION 75D - 8MJA 254P4</u>			
Same as 8MJA 254P1(Section 75A)Except			
1	8MJ 498P1	MOTOR, Starting (12 Volt) (For Components, see back of Group)	1
<u>SECTION 75E - 8MJA 254P5</u>			
Same as 8MJA 254P1(Section 75A)Except			
1	8MJ 498P1	MOTOR, Starting (12 Volt) (For Components, see back of Group)	1
2	Omit		
3	Omit		
<u>SECTION 75F - 8MJA 254P6</u>			
Same as 8MJA 254P1(Section 75A)Except			
1	8MJ 4105	MOTOR, Starting (24 Volt) (For Components, see back of Group)	1
2	Omit		
3	Omit		

LINE NO.	PART NUMBER	DESCRIPTION	NO. REQ.
1	8MJ 479	<p><u>SECTION 75G - 8MJA 255P1</u>                      Same as 8MJA 254P1 (Section 75A) Except                      MOTOR, Starting (12 Volt)                      (For Components, see back of Group)</p>	1
1	8MJA 443A	<p><u>SECTION 75H - 8MJA 255P2</u>                      Same as 8MJA 254P1 (Section 75A) Except                      MOTOR, Starting (12 Volt)                      (For Components, see back of Group)</p>	1
2		SCREW, cap, 1/2-13 NC x 1-1/4 (Full thd.)(4AX 66)	3
3	35AX 919	WASHER, Shakeproof	3
1	8MJ 4133	<p><u>SECTION 75J - 8MJA 264P1</u>                      Same as 8MJA 254P1 (Section 75A) Except                      MOTOR, Starting (12 Volt)                      (For Components, see back of Group)</p>	1
2		SCREW, cap, 3/8-16 NC x 1-3/4 (1" thd.)(6AX 62)	3
3	35AX 916	WASHER, Lock, Shakeproof	3
4	94RU 172	<p><u>SECTION 75K - 8MJA 254P7</u>                      For ENDT864, ENDT865 W/24 V Starting                      Same as 8MJA 254P1 (Section 75A) Except                      GASKET, Starting Motor</p>	1
1	8MJ 4134	<p><u>SECTION 75L - 8MJA 254P8</u>                      For END465C, END465D W/12 V Starting                      Same as 8MJA 254P1 (Section 75A) Except                      MOTOR, Starting (12 V)                      (For Components, see back of Group)</p>	1
2		SCREW, cap, 3/8-16 NC x 1-3/4 (1" thd.)(62AX 62)	3
3		WASHER, Lock, 3/8 I.D.(36AX 3)	3
1	8MJ 4125	<p><u>SECTION 75M - 8MJA 254P9</u>                      For END673P, END711, ENDT673 W/12 V Starting                      Same as 8MJA 254P1 (Section 75A) Except                      MOTOR, Starting (12 V)                      (For Components, see back of Group)</p>	1
1	8MJ 4129	<p><u>SECTION 75N - 8MJA 254P10</u>                      For END673P, END711, ENDT673 W/24 V Starting                      Same as 8MJA 254P1 (Section 75A) Except                      MOTOR, Starting (24 V)                      (For Components, see back of Group)</p>	1



# MACK TRUCK-TRACTOR PARTS BOOK

## GROUP #1T - OIL PRESSURE LINE MOUNTING ARRANGEMENT SECTION 7

NOTE: Key Letters Indicated on Illustration #15-1320-5.

KEY	PART NUMBER	DESCRIPTION	NO. REQ.
<u>SECTION 7A - 15MTA 35P1</u>			
A	---	GAUGE, Oil Pressure (See Group 15AC)	
B	63AX 332	CONNECTOR, Oil Pressure Line At Gauge	1
C	36RUA 38P122	HOSE ASSEMBLY, Oil Pressure Use Units as follows:	1
C-1		HOSE, medium high pressure 13/64 I.D. x 1/2 O.D. x 120-21/32"L. (897AXA)	1
C-2	63AX 1717	END, Hose	2
D	63AX 330	ELBOW, 90°, Oil Pressure Line (Mack Diesel & Mack Gas Engine)	1
E	Not Used	CONNECTOR, Oil Pressure Line (Cummins Diesel)	
F	Not Used	ELBOW, 90°, Oil Pressure Line (Mack Turbo Charger)	
G	Not Used	ELBOW, 90°, Oil Pressure Line (Mack V-8)	
H	Not Used	ELBOW, Oil Pressure Line (Cummins V-8)	
J	Not Used	CLAMP, Hose	
K	---	TURBOCHARGER (See Group 1)	
<u>SECTION 7B - 15MTA 35P2</u>			
Same as 15MTA 35P1 (Section 7A) Except			
D	Omit		
E	63AX 332	CONNECTOR, Oil Pressure Line (Cummins Diesel)	1
<u>SECTION 7C - 15MTA 35P3</u>			
Same as 15MTA 35P1 (Section 7A) Except			
C	36RUA 38P144	HOSE ASSEMBLY, Oil Pressure	1
C-1		HOSE, medium high pressure 13/64 I.D. x 1/2 O.D. x 142-31/32"L. (897AXA)	1
D	Omit		
F	63AX 330	ELBOW, 90°, Oil Pressure Line (Mack Turbo Charger)	1
<u>SECTION 7D - 15MTA 35P4</u>			
Same as 15MTA 35P1 (Section 7A) Except			
C	36RUA 38P144	HOSE ASSEMBLY, Oil Pressure	1
C-1		HOSE, medium high pressure 13/64 I.D. x 1/2 O.D. x 142-21/32"L. (897AXA)	1
D	Omit		
G	63AX 330	ELBOW, 90°, Oil Pressure Line (Mack V-8)	1
H	83AX 118	CLAMP, Hose	2

KEY	PART NUMBER	DESCRIPTION	NO. REQ.
SECTION 7E - 15MTA 35P5 Same as 15MTA 35P1 (Section 7A) Except			
G	36RUA 38P135	HOSE ASSEMBLY, Oil Pressure Use Units as follows:	1
C-1		HOSE, medium high pressure 13/64 I.D. x 1/2 O.D. x 133-21/32"L. (897AXA)	1
D	Omit		
H	63AX 330	ELBOW, 90°, Oil Pressure Line (Cummins V-8)	1
SECTION 7F - 15MTA 35P6 Same as 15MTA 35P1 (Section 7A) Except			
B	63AX 336	CONNECTOR, Oil Pressure Line (At Gauge)	1
C	36RUA 38P136	HOSE ASSEMBLY, Oil Pressure Line Use Units as follows:	1
C-1		HOSE, medium high pressure 13/64 I.D. x 1/2 O.D. x 135"L. (897AXA)	1
C-2	63AX 1717	END, Hose	2
SECTION 7G - 15MTA 35P7 Same as 15MTA 35P1 (Section 7A) Except			
B	63AX 336	CONNECTOR, Oil Pressure Line (At Gauge)	1
C	36RUA 38P136	HOSE ASSEMBLY, Oil Pressure Line Use Units as follows:	1
C-1		HOSE, medium high pressure 13/64 I.D. x 1/2 O.D. x 135"L. (897AXA)	1
C-2	63AX 1717	END, Hose	2
D	Omit		
SECTION 7H - 15MTA 35P8 Same as 15MTA 35P1 (Section 7A) Except			
B	63AX 336	CONNECTOR, Oil Pressure Line (At Gauge)	1
C	36RUA 38P158	HOSE ASSEMBLY, Oil Pressure Line Use Units as follows:	1
C-1		HOSE, medium high pressure 13/64 I.D. x 1/2 O.D. x 157"L. (897AXA)	1
C-2	63AX 1717	END, Hose	2
D	Omit		
F	63AX 330	ELBOW, 90°, Oil Pressure Line (Mack Turbo.)	1
SECTION 7J - 15MTA 35P9 Same as 15MTA 35P1 (Section 7A) Except			
B	63AX 336	CONNECTOR, Oil Pressure Line At Gauge	1
C	36RUA 38P165	HOSE ASSEMBLY, Oil Pressure Line Use Units as follows:	1
C-1		HOSE, medium high pressure 13/64 I.D. x 1/2 O.D. x 163"L. (897AXA)	1
C-2	63AX 1717	END, Hose	2
D	Omit		
G	63AX 330	ELBOW, Oil Pressure Line	1
H	83AX 118	CLAMP, Hose	2
SECTION 7K - 15MTA 35P10 Same as 15MTA 35P1 (Section 7A) Except			
B	63AX 336	CONNECTOR, Oil Pressure Line At Gauge	1
C	36RUA 38P149	HOSE ASSEMBLY, Oil Pressure Line Use Units as follows:	1
C-1		HOSE, medium high pressure 13/64 I.D. x 1/2 O.D. x 148"L. (897AXA)	1
C-2	63AX 1717	END, Hose	2

Illustration #15-1320-11.

KEY	PART NUMBER	DESCRIPTION	NO. REQ.
		<u>SECTION 12A - 15MTA 315</u>	
A	Not Used		
B	Not Used		
C	1MT 226P3	INDICATOR, Oil Level	1
D	27RO 239	SPOUT, Oil Filler (Upper)	1
E	Not Used		
		Attaching Parts:	
E-1		SCREW, machine truss Phillips hd. 1/4-28x3/4 (130AX 1284)	2
E-2		BOLT, Carriage rd. hd. 3/8-16 x 1-1/2 (11AX 171)	2
F	16OAX 494	HOSE, Filler Spout	1
G	83AX 452	CLAMP, Oil Filler Spout	2
H	27RO 236	SPOUT, Oil Filler (Lower)	1
		Attaching Parts:	
J		SCREW, cap, 5/16-24 NF x 1 (7/8" thd.) (1AX 114)	2
J-1		WASHER, Lock, 5/16 I.D. (36AX 22)	2
J-2	56AX 5	GASKET	2

6/14/65 ejm-mes



TITLE HYDRAULIC CONTROL VALVE & PIPING MOUNTING ARRANGEMENT

ILLUSTRATION #101-172-14.

KEY	PART NUMBER	DESCRIPTION	NO. REQ.
<u>SECTION 6A - 101QBA 52</u>			
A	63AX 2051	ELBOW, Hydraulic Fluid Feed Line (At Motor)	1
B	36RUA 3178P118	HOSE ASSY., Fluid Feed Line	1
-		Use Units as follows: HOSE, Medium High Pressure 7/16 I.D. x 3/4 O.D. x 116-1/8" L. (900AXA)	1
C	63AX 2224	END, Hose (Female)	2
D	63AX 2050	ELBOW, Fluid Feed Line	1
E	63AX 2011	CONNECTOR, Fluid Return Line	1
F	36RUA 3178P60	HOSE ASSY., Fluid Return Line	1
-		Use Units as follows: HOSE, Medium High Pressure 7/16 I.D. x 3/4 O.D. x 58-1/8" L. (900AXA)	1
G	63AX 2224	END, Hose (Female)	2
H	63AX 2010	CONNECTOR, Fluid Return Line	1
J	63AX 537	REDUCER, Fluid Return Line	1
K	92RU 1314P2	CROSS, Fluid Return Line	1
L	63AX 2017	CONNECTOR, Fluid Return Line	1
M	36RUA 331P20	HOSE ASSY., Fluid Return Line	1
-		Use Units as follows: HOSE, Medium High Pressure 7/8 I.D. x 1-1/4 O.D. x 18-1/8" L. (903AXA)	1
N	63AX 2227	END, Hose (Female)	2
P	63AX 2057	ELBOW, Fluid Return Line	1
Q	63AX 393	REDUCER, Fluid Return Line	1
R	63AX 2014	CONNECTOR, Fluid Return Line	1
S	36RUA 3182P58	HOSE ASSY., Fluid Return Line	1
-		Use Units as follows: HOSE, Medium High Pressure 5/8 I.D. x 1-1/16 O.D. x 56" L. (902AXA)	1
T	63AX 2226	END, Hose (Female)	2
U	63AX 2054	ELBOW, Fluid Return Line	1
V	101QB 129	VALVE, Outrigger Control (For Components, See Back of Group)	11
W		Attaching Parts: SCREW, Cap, 3/8-24 NF x 4-1/2 (1" thd.)(1AX 210)	3
W-1	21AX 313	NUT(3/8-24 NF)	3
W-2	35AX 472	WASHER	3
X	63AX 393	REDUCER, Fluid Return Line	1
Y	63AX 2054	ELBOW, Fluid Return Line	1
Z	63AX 2014	CONNECTOR, Fluid Return Line	1
AA	36RUA 3182P20	HOSE ASSY., Fluid Return Line	1
-		Use Units as follows: HOSE, Medium High Pressure 5/8 I.D. x 1-1/16 O.D. x 18" L. (902AXA)	1
AB	63AX 2226	END, Hose (Female)	2
AC	92RU 1328P1	TEE, Fluid Return Line	2
AD	63AX 385	NIPPLE, Fluid Return Line	1
AE	63AX 2011	CONNECTOR, Fluid Return Line	1
AE	36RUA 3178P54	HOSE ASSY., Fluid Return Line	1
-		Use Units as follows: HOSE, Medium High Pressure 7/16 I.D. x 3/4 O.D. x 52-1/8" L. (900AXA)	1
AG	63AX 2224	END, Hose (Female)	2
AH	63AX 2051	ELBOW, Fluid Return Line	1
AJ	63AX 2011	CONNECTOR, Fluid Return Line	1
AK	36RUA 3178P56	HOSE ASSY., Fluid Return Line	1
-		Use Units as follows: HOSE, Medium High Pressure 7/16 I.D. x 3/4 O.D. x 54-1/8" L. (900AXA)	1
AL	63AX 2224	END, Hose (Female)	2
AM	63AX 2050	ELBOW, Fluid Return Line	1
AN	36RUA 316P60	HOSE ASSY., Fluid Return Line	1
-		Use Units as follows:	



KEY	PART NUMBER	DESCRIPTION	NO. REQ.
		<u>SECTION 6A - 101QBA 52 (Cont.)</u>	
-		HOSE, Medium High Pressure 5/16" I.D. x 11/16" O.D. x 58-5/8" L. (899AXA)	1
AP	63AX 1719	END, HOse (Female)	1
AQ	63AX 1725	END, HOse (Male)	1
AR	63AX 482	TEE, Fluid Return Line	1
AS	63AX 79	REDUCER, Fluid Return Line Tee	1
AT	36RUA 316P40	HOSE ASSY., Fluid Return Line	1
-		Use units as follows:	
-		HOSE, Medium High Pressure 5/16 I.D. x 11/16 O.D. x 38-5/8" L. (899AXA)	1
AU	63AX 1719	END, HOse (Female)	1
AV	63AX 1725	END, HOse (Male)	1
AW	93RU 1205	FLANGE, Hydraulic Pump	2
AX	36RUA 329P50	HOSE ASSY., Fluid Feed Line	1
-		Use Units as follows:	
-		HOSE, Medium High Pressure 7/8 I.D. x 1-1/4 O.D. x 48-9/32" L. (903AXA)	1
AY	63AX 1729	END, HOse (Male)	1
AZ	63AX 2227	END, HOse (Female)	1
BA	63AX 2057	ELBOW, Fluid Feed Line	1
BB	12QD 1233P1	REDUCER, Fluid Feed Line	1
BC	12QD 1233P2	REDUCER, Fluid Feed Line	1
BD	63AX 2014	CONNECTOR, Fluid Feed Line	2
BE	36RUA 3182P44	HOSE ASSY., Fluid Feed Line	1
-		Use Units as follows:	
-		HOSE, Medium High Pressure 5/8 I.D. x 1-1/16 O.D. x 42" L. (902AXA)	1
BF	63AX 2226	END, HOse (Female)	2
BG	92RU 1328P1	TEE, Fluid Feed Line	1
BH	63AX 2011	CONNECTOR, Fluid Feed Line	1
BJ	36RUA 3178P36	HOSE ASSY., Fluid Feed Line	1
-		Use Units as follows:	
-		HOSE, Medium High Pressure 7/16 I.D. x 3/4 O.D. x 34-1/8" L. (900AXA)	1
BK	63AX 2224	END, HOse (Female)	2
BL	63AX 2050	ELBOW, Fluid Feed Line	1
BM	63AX 2014	CONNECTOR, Fluid Feed Line	1
BN	36RUA 3182P32	HOSE ASSY., Fluid Feed Line	1
-		Use Units as follows:	
-		HOSE, Medium High Pressure 5/8 I.D. x 1-1/16 O.D. x 30" L. (902AXA)	1
BP	63AX 2226	END, HOse (Female)	2
BQ	63AX 2054	ELBOW, Fluid Feed Line	1
BR	63AX 2011	CONNECTOR, Fluid Feed Line	1
BS	36RUA 3178P30	HOSE ASSY., Fluid Feed Line	1
-		Use Units as follows:	
-		HOSE, Medium High Pressure 7/16 I.D. x 3/4 O.D. x 28-1/8" L. (900AXA)	1
BT	63AX 2224	END, HOse (Female)	2
BU	63AX 2010	CONNECTOR, Fluid Feed Line	1



TITLE AIR COMPRESSOR & PIPING MOUNTING ARRANGEMENT

ILLUSTRATION #303-72-57.

KEY.	PART NUMBER	DESCRIPTION	NO. REQ.
<u>SECTION 3A - 303GBA 564</u>			
A	303GB 387	COMPRESSOR, Air (For Components, See Back of Group)	1
B		Attaching Parts:	
C	21AX 475	SCREW, Cap, 1/2-20 NF x 1-1/2 (1-1/4" thd.)(1AX 60)	4
C-1	37AX 474	NUT, (1/2-20 NF)	4
D	73RU 3496	WASHER, Plain	4
E		BRACKET, Air Compressor Mounting	1
F		Attaching Parts:	
F-1	21AX 475	SCREW, Cap, 1/2-20 NF x 1-1/4 (Full thd.)(1AX 42)	4
G	37AX 474	NUT, (1/2-20 NF)	4
H	95RS 218	WASHER, Plain	4
I		MOTOR, Hydraulic	1
J		(For Components, See Back of Group)	
K	71RU 12290	BRACKET, Hydraulic Motor Adjusting	1
L		Attaching Parts:	
M	21AX 313	SCREW, Cap, 3/8-24 NF x 1-1/4 (1" thd.)(1AX 24)	2
M-1	37AX 472	NUT, (3/8-24 NF)	2
N		WASHER, Plain	2
O	21AX 440	SCREW, Cap, 3/4-16 NF x 1-3/4 (Full thd.)(1AX 83)	1
P	37AX 476	NUT (3/4-16 NF)	1
Q	73RU 21731	WASHER, Plain	1
R		BRACKET COMPLETE, Hydraulic Motor Adjusting	1
S		Attaching Parts:	
T	21AX 475	SCREW, Cap, 1/2-20 NF x 1-1/4 (Full thd.)(1AX 42)	2
T-1	37AX 474	NUT(1/2-20 NF)	2
U	73RU 11935	WASHER, Plain	2
V		BRACKET, Hydraulic Motor Mounting	1
W		Attaching Parts:	
X	21AX 475	SCREW, Cap, 1/2-20 NF x 1-1/4 (Full thd.)(1AX 42)	2
Y	37AX 474	NUT, (1/2-20 NF)	2
Z	310GC 337	WASHER, Plain	2
AA		PULLEY, Hydraulic Motor	1
AA-1		Attaching Parts:	
AB	7AX 209	SCREW, Set (1/4-28 NF)	1
AC	42AX 73	KEY	1
AD	88GB 354P33	BELT, Compressor Driving	AR
AE	71RU 12379	BRACKET, Hydraulic Motor Mounting	1
AF		Attaching Parts:	
AG	21AX 441	SCREW, Cap 1/4-28 NF x 1 (3/4" thd.)(1AX 126)	1
AH	37AX 471	NUT(1/4-28 NF)	1
AJ	92RU 1323P1	WASHER, Plain	1
AK	92RU 1323P1	ELBOW, 90°, Compressor Outlet Line	1
AL	63AX 3109	NIPPLE, Compressor Outlet Line	1
AM	92RU 1326P1	TEE, Compressor Outlet Line (At Relief Valve)	1
AN	30RS 1385	VALVE, Compressor Relief	1
AO		(For Components, See Back of Group)	
AP	63AX 169	NIPPLE, Compressor Outlet Line Tee	1
AQ	92RU 1323P1	ELBOW, 90°, Compressor Outlet Line Tee	1
AR	63AX 1321	NIPPLE, Compressor Outlet Line Tee Elbow	1
AS	92RU 1326P1	TEE, Compressor Outlet Line Hose Assy.	1
AT	63AX 169	NIPPLE, Outlet Line Hose Assy., Tee	1
AU	20QE 1156	VALVE, Air (300 pound)	1
AV	63AX 131	NIPPLE, Air Valve	1
AW	160AX 492P16	HOSE, Air Valve	1
AX	83AX 451	CLAMP, Air Valve Hose	1
AY	63AX 2008	CONNECTOR, Compressor Outlet Line Hose Assy.	2
BA	36RUA 1195	HOSE ASSY., Compressor Outlet Line	1
BB	20QE 1168	VALVE, Compressor Outlet Line Check	1
BC	63AX 258	NIPPLE, Check Valve	1
BD	30RS 1398P1	VALVE, Gate	1
BE	63AX 258	NIPPLE, Gate Valve	1
BF	34RUA 3174	GUARD, Compressor Outlet Line	1
BG	92RU 1323P2	ELBOW, 90°, Street Compressor Outlet Line	4
BH	63AX 395	REDUCER, Compressor Outlet Line	1



KEY	PART NUMBER	DESCRIPTION	NO. REQ.
SECTION 3A - 303GBA 564 (Cont.)			
AZ	92RU 1326P2	TEE, Compressor Outlet Line	6
BA	63AX 1047	NIPPLE, Compressor Outlet Line	11
BB	117RS 332P48	PIPE, Compressor Outlet Line (6-1/8" Lg.)	1
BC	92RU 1347P1	UNION, Compressor Outlet Line	6
BD	63AX 1912	NIPPLE, Compressor Outlet Line	3
BE	92RU 1324P2	ELBOW, 90°, Compressor Outlet Line	7
BF	63AX 35	NIPPLE, Compressor Outlet Line	3
BG	117RS 332P51	PIPE, Compressor Outlet Line (5-1/2" Lg.)	4
BH	117RS 332P49	PIPE, Compressor Outlet Line (4-5/8" Lg.)	2
BJ	117RS 332P50	PIPE, Compressor Outlet Line (18-1/2" Lg.)	2
BK	117RS 332P47	PIPE, Compressor Outlet Line (29-3/8" Lg.)	1
BL	92RU 1320P1	COUPLING, Compressor Outlet Line Pipe	1
BM	92RU 1345P1	CROSS, Compressor Outlet Line	1
BN	63AX 1507	REDUCER, Gate Valve	1
BP	30RS 1398P2	VALVE, Gate	1
BQ	63AX 32	NIPPLE, Gate Valve	1
BR	92RU 1346P1	COUPLING, Reducer, Gate Valve Nipple	1
BS	63AX 185	NIPPLE, Compressor Outlet Line	1
BT	92RU 1324P3	ELBOW, Hose Assy.	1
BU	36RUA 340P104	HOSE ASSY., Compressor Outlet Line	1
-		Use Units as follows:	
		HOSE, Medium High Pressure 1-3/8" I.D. x 1-3/4 O.D. x 101-15/16" Lg. (905AXA)	1
BV	63AX 1731	END, Hose (Male)	2
BW	59QE 133	COUPLING, Hose	1
BX	12RSA 21	HOLDER ASSY., Hose	1
		Attaching Parts:	
BY		SCREW, Machine Rd. Phillips Hd., 1/4-20 NC x 1 (130AX260)	2
BY-1		NUT, Hex. 1/4-20 NC (22AX 19)	2
BY-2		WASHER, Lock 1/4 I.D. (36AX 1)	2
BZ	37AX 479	WASHER, Plain	1
CA	72RU 1816	BRACKET, Hose Spring	1
CB	58AX 244	SPRING, Hose	1
CC	84AX 452	CLAMP, Hose Spring	1
CD	63AX 603	REDUCER, Compressor Outlet Line Cross	1
CE	63AX 1920	ELBOW ASSY., Compressor Outlet Line	1
CF	63AX 1847	ELBOW, Compressor Outlet Line	1
CG	63AX 567	REDUCER, Tank Outlet Line	2
CH	63AX 1083	CONNECTOR ASSY., Tank Outlet Line	2
CJ	63AX 1105	TEE ASSY., Tank Outlet Line	2
CK	63AX 1458	ELBOW ASSY., Tank Outlet Line	1
CL	63AX 923	REDUCER, Tank Outlet Line	3
CM	63AX 1102	TEE ASSY., Tank Outlet Line	3
CN	63AX 1084	CONNECTOR ASSY., Tank Outlet Line	1
CP	20QE 1156	VALVE, Air (300 Pound)	1
CQ	63AX 1356	NIPPLE, Air Valve	1
<u>BULK TUBING</u>			
	100AX 64FT50	TUBING, Copper 1/4 O.D.	
	100AX 66FT50	TUBING, Copper 3/8 O.D.	

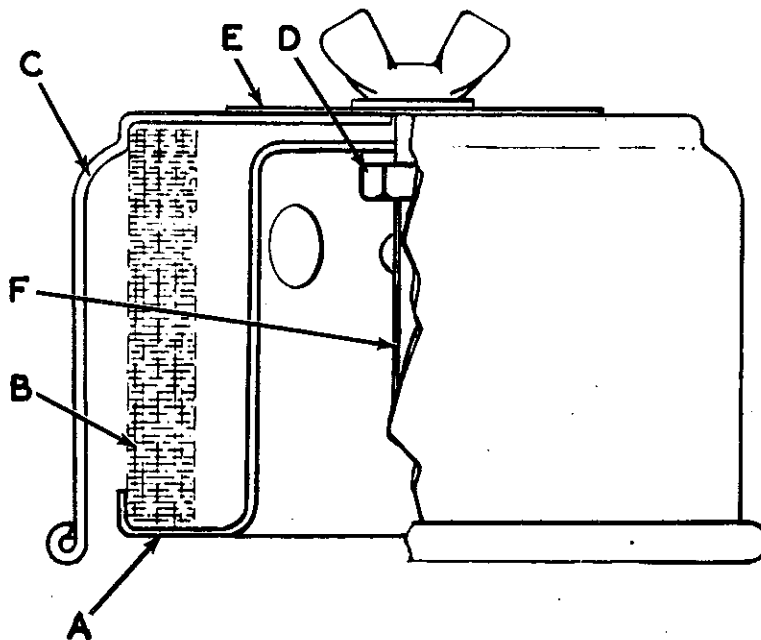
THIS REPLACES ALL COPIES DATED PRIOR TO APRIL 2, 1957.

*MACK CHASSIS NUMBER must always be given with PART NUMBER when ordering.*

COMPONENT PARTS

221 GB 124

**CRANKCASE BREATHER CAP**



221-72-2

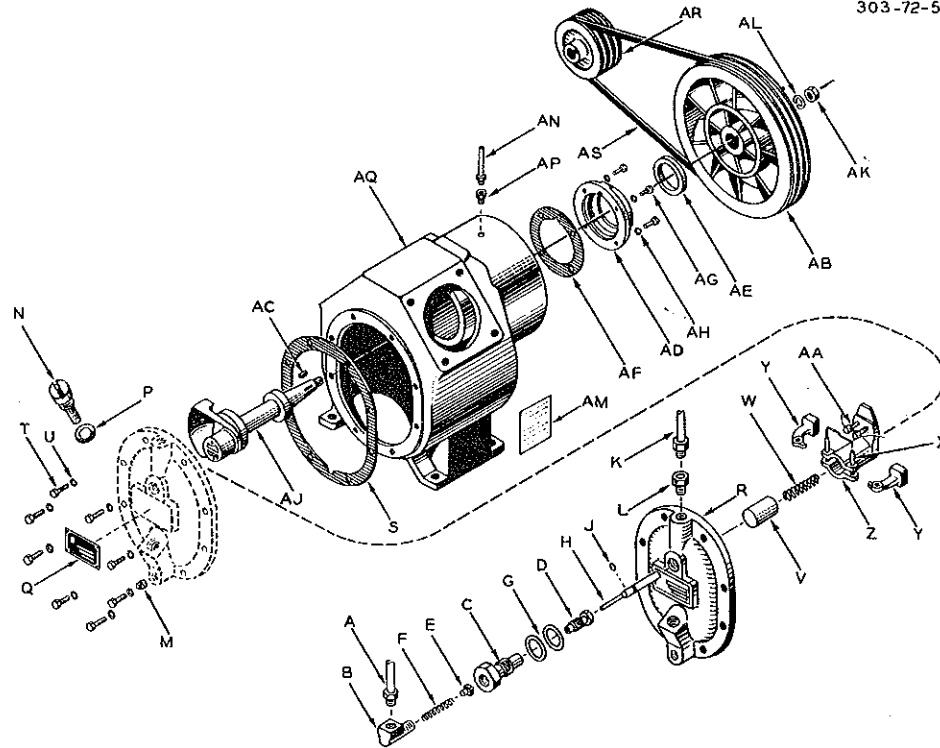
KEY	PART NUMBER	DESCRIPTION	NO. REQ'D.
A	36 BOHA-140	BODY	1
B	36 BOH-07	ELEMENT, Filter	1
C	36 DOH-18	HOOD, Top	1
D	36 30350-C	NUT, Self-Locking	1
E	36 A15281	PLATE, Name	1
F	36 A17045-810	STEM & WING NUT ASSEMBLY	1



# COMPONENT PARTS

303GB 387  
COMPRESSOR

303-72-58



KEY	PART NUMBER	DESCRIPTION	NO. REQ.
A	4326 NPN	TUBE & NUT ASSY, Copper (3/8" O.D.)(State Length)	1
-	4326 3W39986TA	VALVE COMPLETE, Pilot	1
B	4326 X1506-IE6	Consists of: ELBOW,Tube	1
C	4326 3W39986	BODY	1
D	4326 3W56279	SEAT	1
E	4326 3W51574	PLATE	1
F	4326 PP422	SPRING	1
G	4326 X1026T32	WASHER, Copper	2
H	4326 3W63627	PIN, Thrust	1
J	4326 X1514T006C	Includes: "O" RING	1
K	4326 NPN	TUBE & NUT ASSY, Steel (5/16 O.D.)(State Length)	1
L	4326 X1506-IC5	CONNECTOR, Tube	1
M	4326 NPN	PLUG, Pipe (1/2" NPT)(Brass)	1
N	4326 3W21918	GAUGE, Oil	1
P	4326 X1514T212C	GASKET, Oil Gauge	1
Q	4326 3W3936	PLATE, Name (Includes Rivets)	1
R	4326 3H6314F1	COVER CRANKCASE END	1
S	4326 3R8342	Attaching Parts: GASKET	1
T	4326 NPN	SCREW, Cap Hex. Hd. (3/8"-16 x 7/8")	8
U	4326 X1016T34	WASHER, Flat Stl.	8
-	4326 3W21456T	CAP COMPLETE, Crankpin	1
V	4326 3W21457	Consists of: PLUNGER, Unloader	1
W	4326 PP566	SPRING, Plunger	1

COMPONENT PARTS

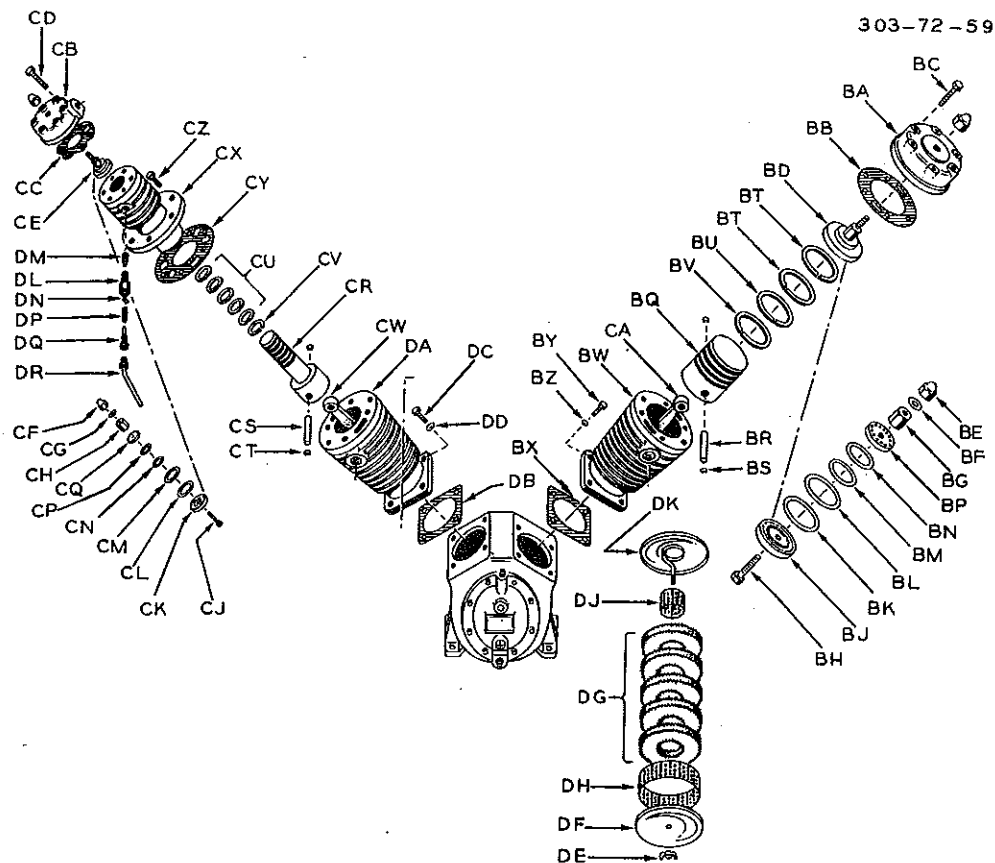
303GB 387  
 COMPRESSOR (Cont.)

KEY	PART NUMBER	DESCRIPTION	NO. REQ.
X	4326 3W11984	PIN, Weight	2
Y	4326 3W21458	WEIGHT, Unloader	2
Z	4326 3W21456	CAP, Crankpin	1
AA	4326 3W21297	SCREW, Cap, Hex. Hd.	2
AB	4326 3H6317	WHEEL, Belt, V	1
AC	4326 WDRF#21	Includes: KEY	1
AD	4326 3W21912P1	COVER, Shaft End Includes:	1
AE	4326 X1220T67	RETAINER, Oil Attaching Parts:	1
AF	4326 3W21913	GASKET	1
AG	4326 NPN	SCREW, Cap, Hex. hd. (3/8-16 x 7/8)	8
AH	4326 X1016T34	WASHER, Flat Stl.	8
AJ	4326 3R339T	SHAFT, Complete, Crank Includes:	1
-		BEARING )	
-		SPACER ) NOT SERVICED SEPARATELY	
-		RETAINER )	
AC	4326 WDRF #21	KEY, Belt Wheel	1
AK	4326 3W21914	NUT, Belt Wheel	1
AL	4326 NPN	WASHER	1
AM	4326 3W21353	DECAL, Instruction	1
AN	4326 NPN	TUBE & NUT ASSY. Slit. (5/16" O.D.)(State Length)	1
AP	4326 X1506-IC5X4	CONNECTOR, Tube	1
AQ	4326 3F5671	CRANKCASE	1
AR	4326 3H12425	PULLEY	1
AS	4326 B90	BELT, Motor Pulley	3
-	4326 X1453T47	KIT, Compress Gasket (Includes Key Letters J,P,S & AF)	1

# COMPONENT PARTS

303GB 387

COMPRESSOR (Cont.)



KEY	PART NUMBER	DESCRIPTION	NO. REQ.
BA	4326 3H6158	HEAD, Air (Low Pressure) Includes:	1
BB	4326 3W21482	GASKET	1
BC	4326 NPN	Attaching Parts: SCREW, Hex. Hd. (1/2" -13 x 3")	6
BD	4326 3W21443T	VALVE COMPLETE, Inlet & Discharge (Low Pressure) Includes:	1
BE	4326 3W21751	NUT, Acorn, Valve Bolt	1
BF	4326 X1016T31	WASHER, Flat, Stl.	1
BG	4326 X1302T42	NUT, Lock	1
BH	4326 3W21453	BOLT, Valve	1
BJ	4326 3W21444	PLATE, Stop	1
BK	4326 3W21448	SPRING, Discharge	1
BL	4326 3W21447	PLATE, Discharge	1
BM	4326 3W21445	PLATE, Inlet	1
BN	4326 3W21446	SPRING, Inlet	1
BP	4326 3W21443	SEAT, Valve	1
-	4326 3H6157T	PISTON COMPLETE, Low Pressure Includes:	1
BQ	4326 3H6157	PISTON, Low Pressure Includes:	1
BR	4326 3W11869	PIN	1

4/5/65 sr-jt

MACK CHASSIS NUMBER MUST ALWAYS BE GIVEN WITH PART NUMBER WHEN ORDERING.

COMPONENT PARTS

303GB 387

COMPRESSOR (Cont.)

KEY	PART NUMBER	DESCRIPTION	NO. REQ.
BS	4326 3W11870	RING, Lock	2
BT	4326 X1440T67B	RING, Piston, Compression	2
BU	4326 X1440T67M	RING, Piston, Oil Wiper	1
BV	4326 X1440T67H	RING, Piston, Oil Wiper	1
BW	4326 3H6164	CYLINDER, Low Pressure Attaching Parts:	1
BX	4326 3W21481	GASKET, Cylinder Flange	1
BY	4326 NPN	SCREW, Hex. Hd. (1/2" - 13 x 1-1/4)	4
BZ	4326 X1016T35	WASHER, Flat, Stl.	4
CA	4326 3R8166	ROD, Low Pressure Piston Connecting	1
CB	4326 3R8358	HEAD, Air (High Pressure) Includes:	1
CC	4326 3W21949	GASKET Attaching Parts:	1
CD	4326 NPN	SCREW, Hex. Hd. (1/2" - 13 x 2 - 3/4")	4
CE	4326 3W21936T	VALVE COMPLETE, Inlet & Discharge (High Pressure) Includes:	1
CF	4326 3W21750	NUT, Acorn, Valve Bolt	1
CG	4326 X1016T36	WASHER, Flat, Stl.	1
CH	4326 3X1302T405	NUT, Lock	1
CJ	4326 3W21942	BOLT, Valve	1
CK	4326 3W21937	PLATE, Stop	1
CL	4326 3W21941	SPRING, Discharge	1
CM	4326 3W21940	PLATE, Discharge	1
CN	4326 3W21938	PLATE, Inlet	1
CP	4326 3W21939	SPRING, Inlet	1
CQ	4326 3W21936	SEAT, Valve	1
-	4326 3R15833T	PISTON COMPLETE, High Pressure Includes:	1
CR	4326 3R15833	PISTON ASSEMBLY Includes:	1
CS	4326 3W11867	PIN	1
CT	4326 3W11870	RING, Lock	2
CU	4326 X1440T31B	RING, Piston, Compression	5
CV	4326 X1440T31H	RING, Piston, Oil Wiper	1
CW	4326 3R8330	ROD, High Pressure Connecting	1
CX	4326 3H12076	CYLINDER, High Pressure Attaching Parts:	1
CY	4326 3W21483	GASKET	1
CZ	4326 NPN	SCREW, Cap, Hex. Hd. (1/2"-13 x 1-1/4")	6
DA	4326 3H6163	CROSSHEAD, Cylinder Attaching Parts:	1
DB	4326 3W21481	GASKET	1
DC	4326 NPN	SCREW, Cap, Hex. Hd. (1/2"-13 x 1-1/4")	4
DD	4326 X1016T35	WASHER, Flat, Stl.	4
-	4326 3W34043T	CLEANER COMPLETE, Air Inlet Includes:	1
DE	4326 NPN	NUT, Wing (1/4-20)	1
DF	4326 3W34037	HEAD, Top	1
DG	4326 3W21479	PAD	5
DH	4326 3W21476	SCREEN, Outer	1
DJ	4326 3W34040	SCREEN, Inner	1
DK	4326 3W34043	HEAD, Bottom	1
-	4326 3W39899T1	VALVE COMPLETE, Cylinder Relief Includes:	1
DL	4326 3W39899	BODY	1
DM	4326 3W39900	SEAT	1
DN	4326 3W39901	PLATE	1
DP	4326 PP336	SPRING	1
DQ	4326 3W11365	CONNECTOR	1
DR	4326 NPN	TUBE & NUT ASSEMBLY, (5/16" O.D.)(State Length)	1

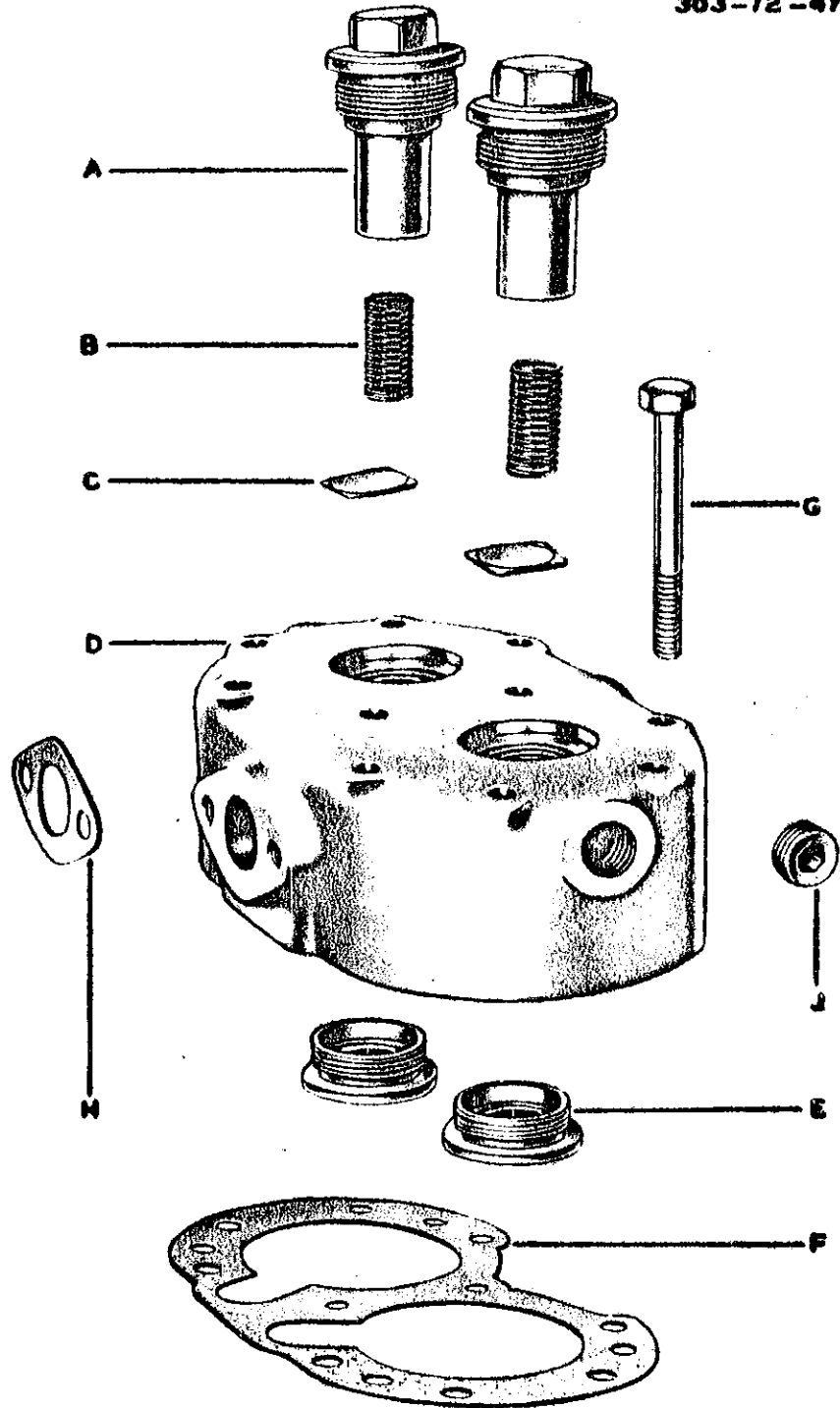
THIS REPLACES ALL COPIES DATED PRIOR TO November 1, 1962.  
**MACK CHASSIS NUMBER** must always be given with **PART NUMBER** when ordering.

### COMPONENT PARTS

303GB 4104P1, P2, P3, P4 & P5

#### AIR COMPRESSOR

303-72-47



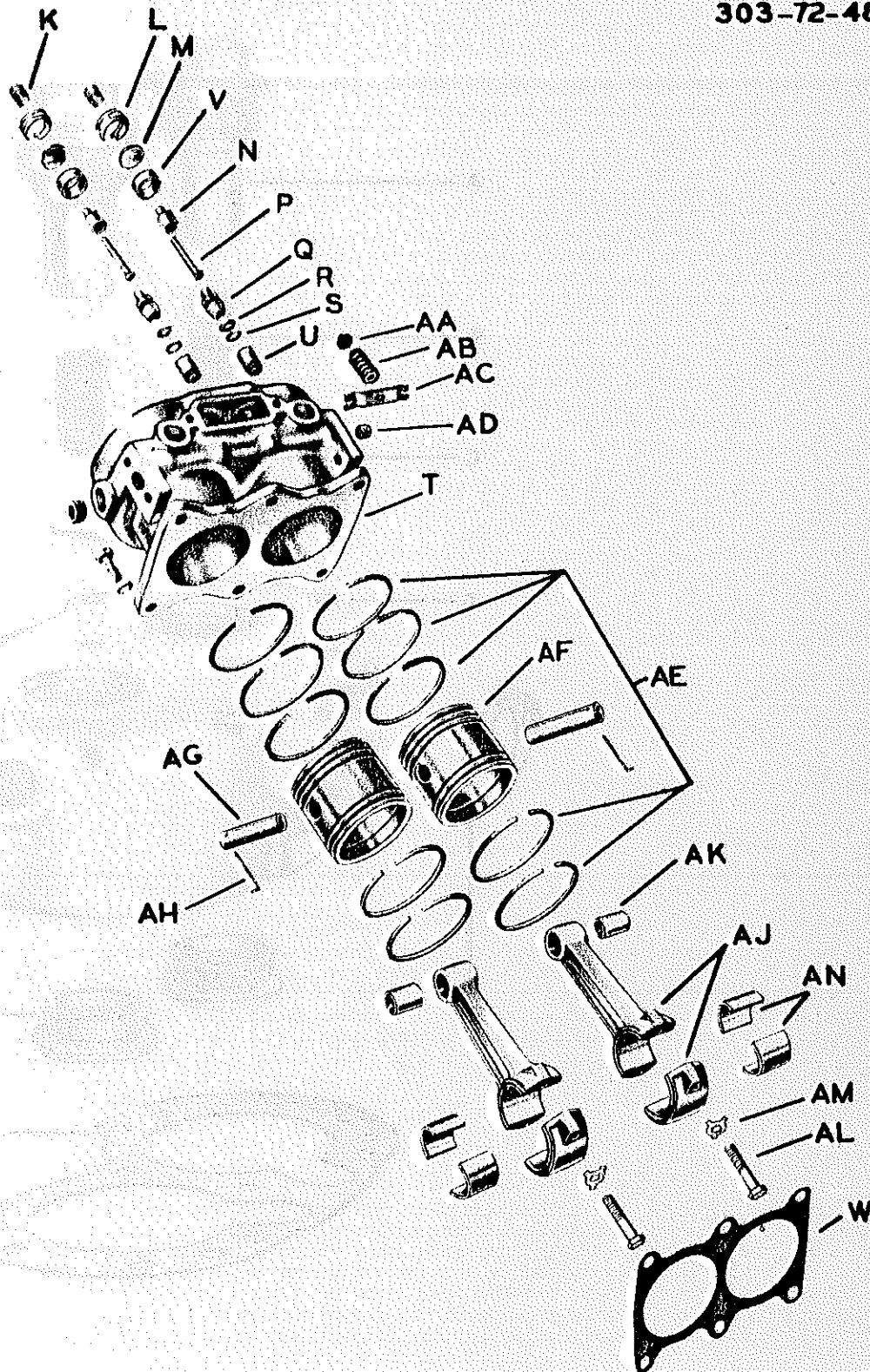
THIS REPLACES ALL COPIES DATED PRIOR TO November 1, 1962  
MACK CHASSIS NUMBER must always be given with PART NUMBER when ordering

### COMPONENT PARTS

303GB 4104P1, P2, P3, P4 & P5

### AIR COMPRESSOR

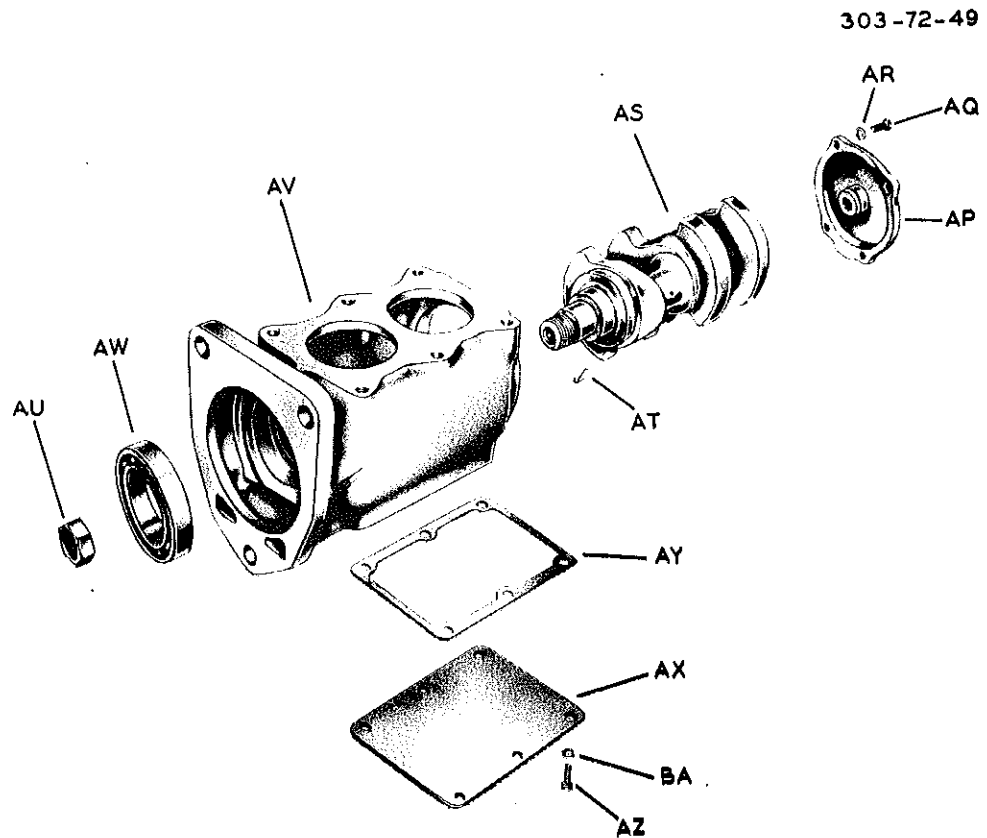
303-72-48



**COMPONENT PARTS**

303GB 4104P1, P2, P3, P4 & P5

AIR COMPRESSOR



KEY	PART NUMBER	DESCRIPTION	NO. REQ.
<u>303GB 4104P1</u>			
A	745 236215	NUT, Discharge Valve Cap	2
B	745 210468	SPRING, Discharge Valve	2
C	745 230935	VALVE, Discharge	2
D	745 226315	BODY COMPLETE, Cylinder Head	1
E	745 237291	SEAT, Discharge Valve	2
-	745 240142	SEAT, Inlet Valve Spring	2
-	745 240143	INSERT, Inlet Valve Spring	2
		Attaching Parts:	
F	745 238634	GASKET	1
G	745 237696	SCREW, Cap, Hex. hd. 5/16 - 18	10
H	745 204820	GASKET, Cylinder Head Fitting	1
J	745 233057	PLUG, Cylinder Head 3/8" Pipe	2

IK

THIS REPLACES ALL COPIES DATED PRIOR TO November 1, 1962.

MACK CHASSIS NUMBER must always be given with PART NUMBER when ordering.

### COMPONENT PARTS

303GB 4104P1, P2, P3, P4 & P5  
AIR COMPRESSOR

KEY	PART NUMBER	DESCRIPTION	NO. REQ.
303GB 4104P1 (Continued)			
K	745 236126	SPRING, Inlet Valve	2
L	745 239395	GUIDE, Inlet Valve	2
M	745 236125	VALVE, Inlet	2
N	745 240022	GUIDE, Unloader Plunger	2
P	745 240023	PLUNGER, Unloader	2
Q	745 229875	PISTON COMPLETE, Unloader	2
R	745 238144	Each Includes: RING, Back-Up	1
S	745 238143	GROMMET	1
T	745 275575	BODY COMPLETE, Cylinder Block	1
U	745 238586	Includes: BUSHING	2
V	745 236118	SEAT, Inlet Valve	2
W	745 240738	Attaching Parts: GASKET	1
X	745 210897	SCREW, Cap, Hex. hd. 3/8 - 16	6
Y		WASHER, Lock, medium 3/8 I.D. (36AX 3)	6
Z	745 233057	PLUG, Cylinder Block 3/8" Pipe	4
AA	745 238491	SEAT, Unloader Spring	1
AB	745 239972	SPRING, Unloader	1
AC	745 240024	SADDLE, Unloader Spring	1
AD	745 230576	PLUG, Cylinder Block 1/4" Pipe	1
AE	745 227644	RING SET, Piston	1
AF	745 227252	PISTON & PIN ASSEMBLY	2
AG	745 236168	Each Includes: PIN, Wrist	1
AH	745 236169	WIRE, Wrist Pin Lock	2
AJ	745 228189	ROD & CAP COMPLETE, Connecting	2
AK	745 239543	Each Includes: BUSHING, Wrist Pin	1
AL	745 238598	BOLT, Connecting Rod	2
AM	745 238597	Attaching Parts: WASHER, Lock, Connecting Rod Bolt	4
AN	745 238596	INSERT, Connecting Rod Bearing	2
-	Not Used	GOVERNOR ASSEMBLY	
		(For Components, See Back of Group)	
-	Not Used	Attaching Parts: GASKET	
-	Not Used	SCREW	
AP	745 240744	COVER, Rear End	1
AQ	745 237687	Attaching Parts: SCREW, Cap, Hex. hd. 5/16 - 18	4
AR	745 237648	WASHER, Lock, Heavy 5/16 I.D. (36AX 2)	4



THIS REPLACES ALL COPIES DATED PRIOR TO November 1, 1962.  
 MACK CHASSIS NUMBER must always be given with PART NUMBER when ordering.

**COMPONENT PARTS**

303GB 4104P1, P2, P3, P4 & P5  
AIR COMPRESSOR

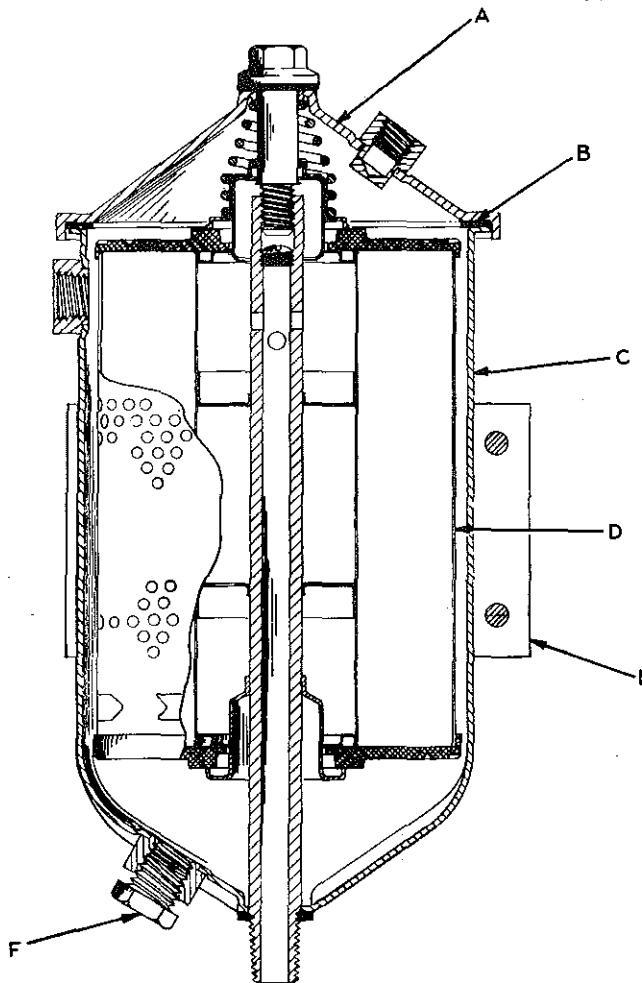
KEY	PART NUMBER	DESCRIPTION	NO. REQ.
		<u>303GB 4104P1 (Continued)</u>	
-	745 239189	GROMMET, Rear End Cover	1
-	745 240576	WASHER, Thrust	1
-	745 240745	BEARING, Crankshaft	1
AS	745 240739	CRANKSHAFT	1
		Attaching Parts:	
AT	745 232013	KEY	1
AU	745 203395	NUT	1
AV	745 240737	CRANKCASE	1
AW	745 236678	BEARING, Ball, Crankshaft	1
AX	745 240741	COVER, Crankcase	1
		Attaching Parts:	
AY	745 240740	GASKET	1
AZ	745 230815	SCREW, Round head, Machine 1/4 - 20	6
BA	745 202981	WASHER, Lock, 1/4 I.D.	6
		<u>303GB 4104P2</u> Same as 303GB 4104P1 Except	
D	745 228173	BODY COMPLETE, Cylinder Head	1
G	745 237936	SCREW, Cap, Hex. hd.	10
-	745 232850	WASHER	10
		<u>303GB 4104P3</u> Same as 303GB 4104P1 Except	
-	131SB 18	GOVERNOR ASSEMBLY (For Components, See Back of Group)	1
		Attaching Parts:	
-	745 236577	GASKET	1
-	745 203847	SCREW	2
		<u>303GB 4104P4</u> Same as 303GB 4104P1	
		NO PART NUMBER CHANGES	
		<u>303GB 4104P5</u> Same as 303GB 4104P1	
		NO PART NUMBER CHANGES	

COMPONENT PARTS

483GB 334 & 335P1, P2, AP1 & AP2

FUEL OIL FILTER

483-72-14



KEY	PART NUMBER	DESCRIPTION	NO. REQ.
A	6432 6662579	COVER ASSEMBLY (For 334 Only)	1
A	6432 6663751	COVER ASSEMBLY (For 335P1, P2, AP1 & AP2 Only)	1
		Attaching Parts:	
B	6432 19954-5	GASKET (For 334 Only)	1
B	6432 20509-5	GASKET (For 335P1, P2, AP1 & AP2 Only)	1
C	6432 6662577	CASE ASSEMBLY (For 334 Only)	1
C	6432 6663753	CASE ASSEMBLY (For 335P1, P2, AP1 & AP2 Only)	1
D	237GB 16	ELEMENT ASSEMBLY (For 334 Only)	1
D	237GB 29A	ELEMENT ASSEMBLY (For 335P1, P2, AP1 & AP2 Only)	1
E	6432 20380	BRACKET, Body (For 334 Only)	1
E	6432 6662021	BRACKET, Body (For 335P2 & AP2 Only)	1
F	6432 7600	PLUG, Body (For 334 Only)	2
F	6432 35788-1	PLUG, Body (For 335P1, P2, AP1 & AP2 Only)	2

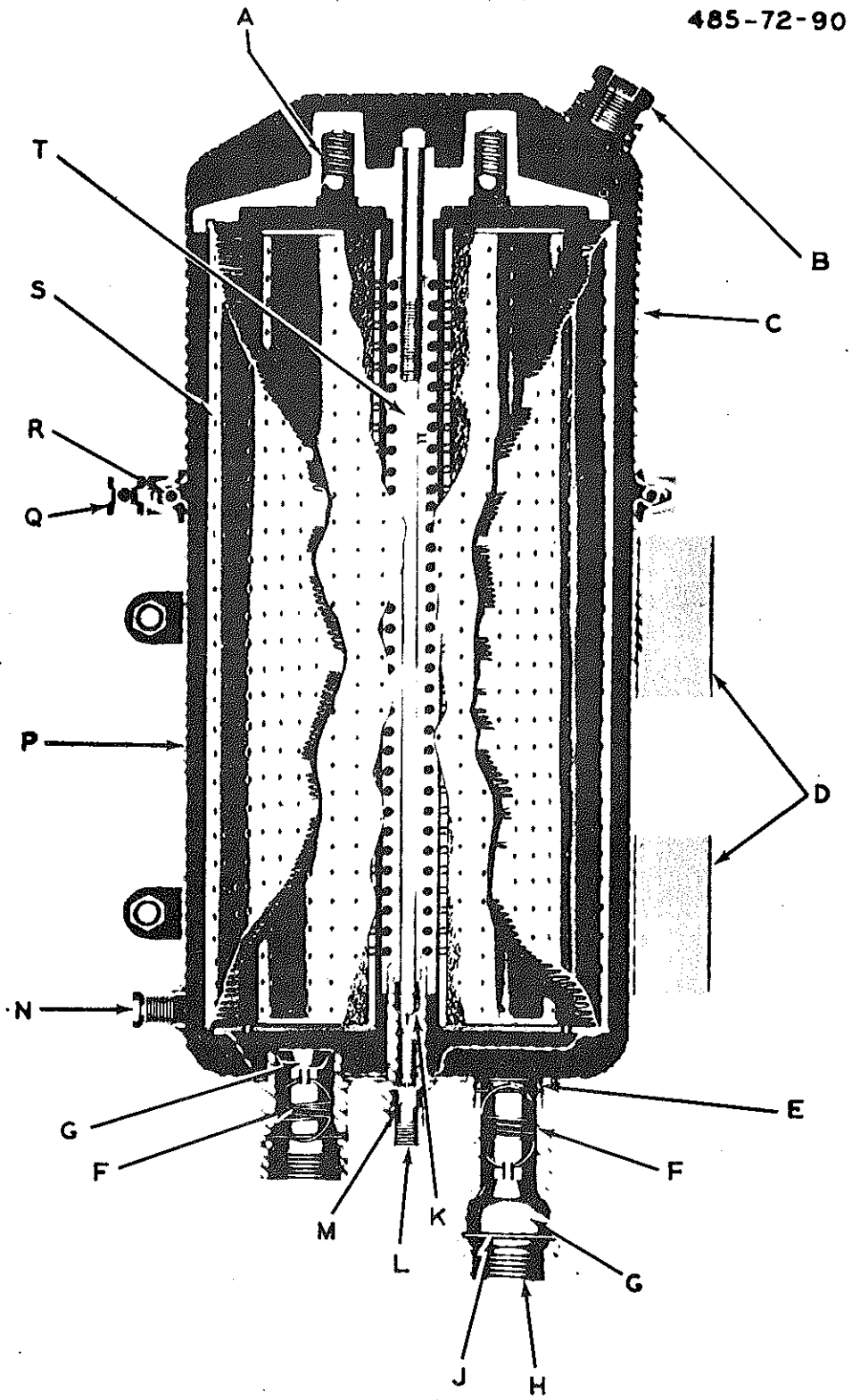
IK

3/8/65 .br-mes

THIS COPY REPLACES ALL COPIES PREVIOUS TO MAY 5, 1965.  
MACK CHASSIS NUMBER must always be given with PART NUMBER when ordering.

### COMPONENT PARTS

485GB 4192, A,B,C,D,EP1 & P2 &FP1-3  
OIL FILTER (FULL FLOW)



485-72-90

IK

5/5/65 wn-mes

#1-2

COMPONENT PARTS

485GB-4192, A,B,C,D,EP1 & P2 & FP1-3  
 OIL FILTER (FULL FLOW)(Cont.)

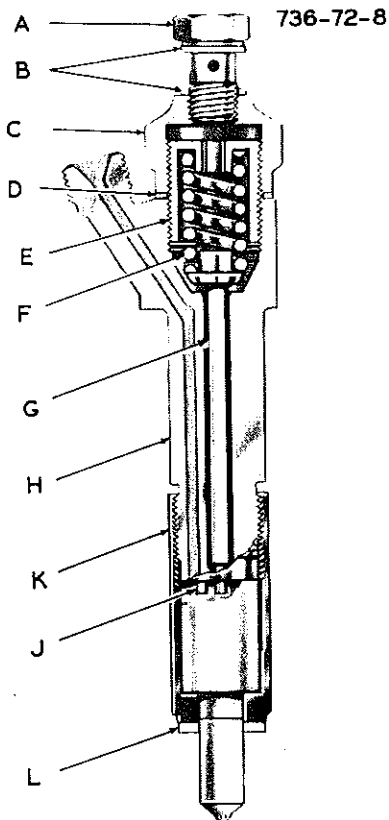
KEY	PART NUMBER	DESCRIPTION	NO. REQ.
A	9000 FP-263	VALVE ASSEMBLY, Relief (For 485GB 4192 & A)	1
A	9000 FP-263A	VALVE ASSEMBLY, Relief (For 485GB 4192B)	1
A	9000 FP-263B	VALVE ASSEMBLY, Relief (For 485GB 4192C)	1
A	9000 FP-263D	VALVE ASSEMBLY, Relief (For 485GB 4192D)	1
A	9000 FP-263E	VALVE ASSEMBLY, Relief (For 485GB 4192E P1 & P2; FP1-3)	1
B	9000 FP-220	PLUG, Vent	1
C	9000 FP-214	COVER (For 485GB 4192)	1
C	9000 FP-214M	COVER (For 485GB 4192A, B & C)	1
C	9000 FP-214A	COVER (For 485GB 4192D & EP1 & P2 & FP1-3)	1
D	9000 EB-95	BRACKET, Mounting (For 485GB 4192A, D & E P1 & FP2 & 3)	2
D	9000 EB-95M	BRACKET, Mounting (For 485GB 4192B & C, EP2 & FP1)	2
-	9000 FP-289M	VALVE ASSEMBLY, Check Consists of: CUP, Spring Retaining SPRING	1
E	9000 FP-288	DISC ASSEMBLY, Valve	2
F	9000 FP-194	HOUSING, Valve	2
G	9000 FP-286	SPRING, Safety	1
H	9000 FP-287	RING, Snap	1
J	9000 FP-282	RING	1
J-1	9000 FP-290	BUSHING, Pipe	1
K	9000 FP-98	VALVE ASSEMBLY, Check	1
L	9000 MF-80	PLUG, Drain	1
M	9000 FP-264	BODY, Clarifier (For 485GB 4192, A & B)	1
N	301SB 18	BODY, Clarifier (For 485GB 4192C)	1
P	9000 FP-250	BODY, Clarifier (For 485GB 4192D & EP1 & P2 & FP1-3)	1
P	9000 FP-250MA	RING, Cover (For 485GB 4192 & D)	1
P	9000 FP-250B	RING, Cover (For 485GB 4192A, B & C)	1
Q	9000 FP-150	"O" RING, Cover Seal	1
Q	9000 FP-150M	CARTRIDGE	1
R	9000 GA-38	SUPPORT, Cartridge	1
S	236GB 311	SEAL, Cartridge Rubber	1
S-1	9000 FP-255	POST, Center	2
S-2	9000 GA-173	SCREW, cap (For 485GB 4192 & A)	1
T	9000 FP-238	SCREW, cap (For 485GB 4192B Only)	1
-	9000 FP-294	TUBING, Steel (For 485GB 4192B Only)	1
-	9000 FP-297	PIPE, Stand (For 485GB 4192C Only)	1
-	9000 FP-298	DECAL, (Filling Instructions)	1
-	9000 FP-296	DECAL (Mack)	1
-	27RU 1524P2	DECAL (Important Warning)	1
-	27RU 1504	DECAL (Starting Instructions)	1
-	27RU 1524P1		1
-	27RU 1570		1

THIS REPLACES ALL COPIES DATED PRIOR TO MAY 5, 1965.

MACK CHASSIS NUMBER MUST ALWAYS BE GIVEN WITH PART NUMBER WHEN ORDERING.

# COMPONENT PARTS

736GB 227P1 & P2  
NOZZLE HOLDER



THIS REPLACES ALL COPIES DATED PRIOR TO OCTOBER 3, 1963.

KEY	PART NUMBER	DESCRIPTION	NO. REQ.
A	365SB 83	SCREW, Retaining	1
B	121SB 22	GASKET, Retaining Screw	2
C	42SB 91	CAP, Protection	1
D	122SB 151	GASKET, Protection Cap	1
E	261SB 40	NUT, Spring Adjusting Retaining Cap	1
F	362SB 133	SPRING, Pressure Adjusting	1
G	380SB 29	SPINDLE ASSEMBLY (With Lower Spring Seat)	1
H	21SB 40	BODY, Nozzle Holder	1
J	311SB 39	Includes: PIN, Dowel	2
K	261SB 33	NUT, Nozzle Cap	1
L	590GB 1127	GASKET, Nozzle	1

NOTE: SPRING SETTING ONLY DIFFERENCE IN "P" NUMBERS.

COMPONENT PARTS

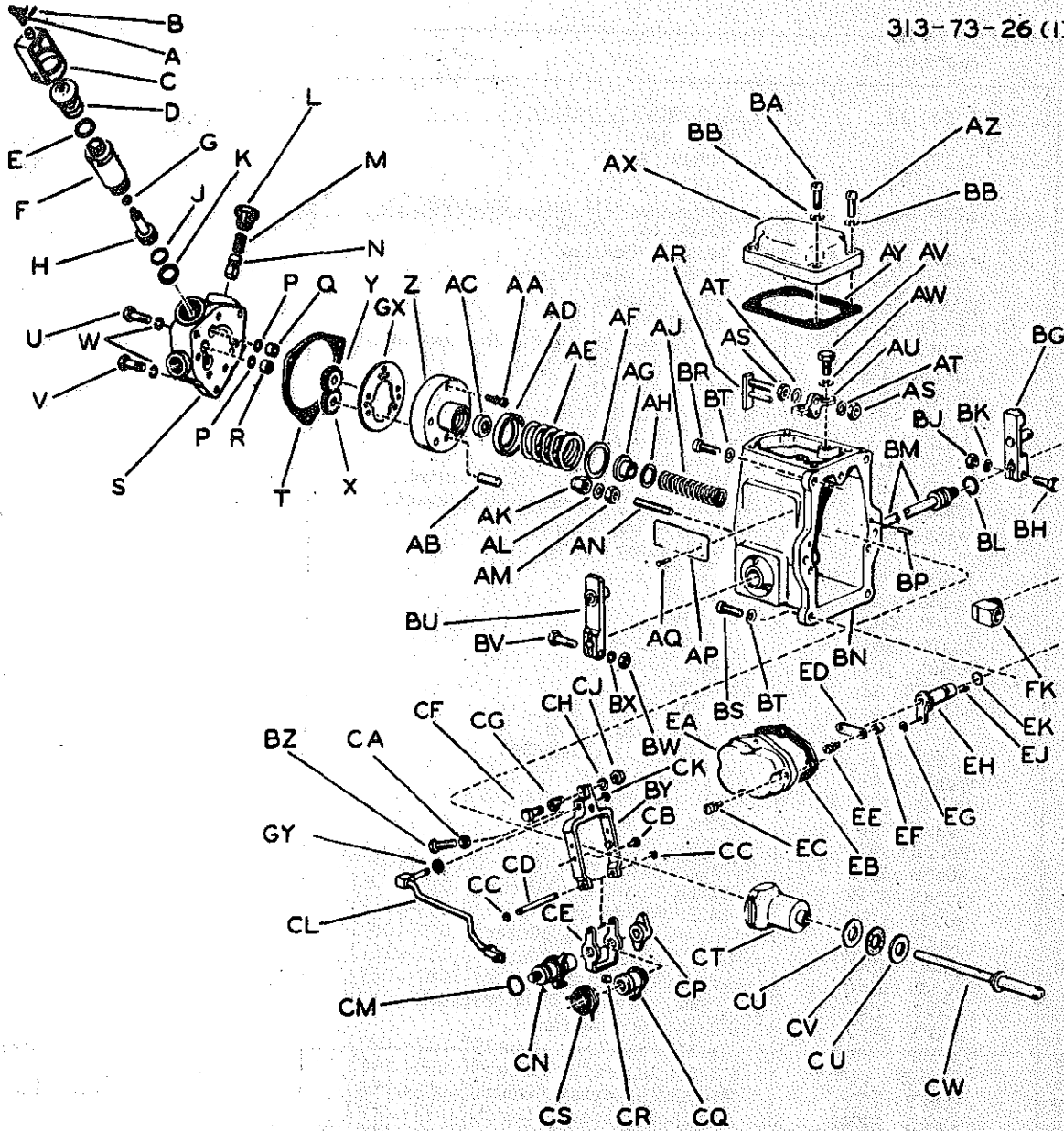
313GC 4151CP1 thru CP5, CP11 & CP12  
FUEL INJECTION PUMP

KEY	PART NUMBER	DESCRIPTION	NO. REQ.
-	312SB 18	PUMP ASSEMBLY, Primer	1
A	---	Includes: SCREW, Thumb	1
B	---	PIN	1
C	22SB 41	BRACKET, Retainer (Includes Key Letters A & B)	1
D	Not Used	KNOB, Hand Primer	
E	441SB 77 *	WASHER, Sealing	1
F	58SB 13	BARREL, Hand Primer	1
G	311SB 73	PIN, Plunger	1
H	309SB 45	PLUNGER	1
J	343SB 31 *	"O" RING, Plunger & Rod Assembly	1
K	122SB 114 *	GASKET, Hand Primer	1
L	368SZ 50	SCREW, Leaf-Off	1
M	362SB 123	SPRING, Relief Valve	1
N	421SB 13	VALVE, Relief	1
P	343SB 64 *	"O" RING, Check Valve	2
Q	424SB 38	VALVE, Check (Small Hole Outward)	1
R	424SB 38	VALVE, Check (Large Hole Outward)	1
S	42SB 98	COVER, Supply Pump	1
T	122SB 144 *	Attaching Parts: GASKET	1
U	361SZ 511	SCREW	2
V	361SZ 290	SCREW	1
W	441SZ 365	WASHER, Lock	3
X	125SB 30	GEAR, Idler	1
Y	125SB 31	GEAR, Drive	1
Z	163SB 15	INSERT, Supply Pump	1
AA	361SZ 513	Attaching Parts: SCREW & LOCK WASHER	5
AB	311SB 59	PIN, Idler Gear	1
AC	364SZ 177 *	SEAL, Governor Shaft Oil	1
AD	130SB 18	GUIDE, Outer Spring	1
AE	362SB 140	SPRING, Outer	1
AF	366SB 19P1	SPACER, Adjusting (Outer) (.017-.023)	AR
AF	366SB 19P2	SPACER, Adjusting (Outer) (.038-.046)	AR
AF	366SB 19P3	SPACER, Adjusting (Outer) (.053-.063)	AR
AF	366SB 19P4	SPACER, Adjusting (Outer) (.077-.089)	AR
AF	366SB 19P5	SPACER, Adjusting (Outer) (.151-.161)	AR
AF	366SB 19P6	SPACER, Adjusting (Outer) (.027-.033)	AR
AF	366SB 19P7	SPACER, Adjusting (Outer) (.008-.012)	AR
AG	130SB 20	GUIDE, Inner Spring	1
AH	366SB 17P1	SPACER, Adjusting (Inner) (.017-.023)	AR
AH	366SB 17P2	SPACER, Adjusting (Inner) (.038-.046)	AR
AH	366SB 17P3	SPACER, Adjusting (Inner) (.053-.063)	AR
AH	366SB 17P4	SPACER, Adjusting (Inner) (.077-.089)	AR
AH	366SB 17P5	SPACER, Adjusting (Inner) (.172-.182)	AR
AH	366SB 17P6	SPACER, Adjusting (Inner) (.271-.281)	AR
AH	366SB 17P7	SPACER, Adjusting (Inner) (.008-.012)	AR
AJ	362SB 142	SPRING, Inner (For CP1 thru CP5 Only)	1
AJ	362SB 139	SPRING, Inner (For CP11 Only)	1
AJ	362SB 147	SPRING, Inner (For CP12 Only)	1
AK	261SB 37	NUT, Cap, Set Screw	2
AL	122SB 145 *	GASKET, Set Screw	2
AM	221SZ 19	NUT, hex. Set Screw	2
AN	365SZ 161	SCREW, Set	1
AP	305SB 60	NAME PLATE	1
AQ	361SZ 284	Attaching Parts: SCREW, Drive	2
AR	305SB 61	PLATE, Bridge Stop (For 313GC 4151CP1 thru CP5 Only)	1
AR	305SB 84	PLATE, Bridge Stop (For 313GC 4151CP11 & CP12 Only)	1
AS	261SB 28	Attaching Parts: NUT, Jam	2
AT	441SB 42	WASHER, Lock	2

# COMPONENT PARTS

313GC 4151CP1 thru CP5, CPL1 & CP12  
 FUEL INJECTION PUMP (Cont.)

313-73-26 (1)



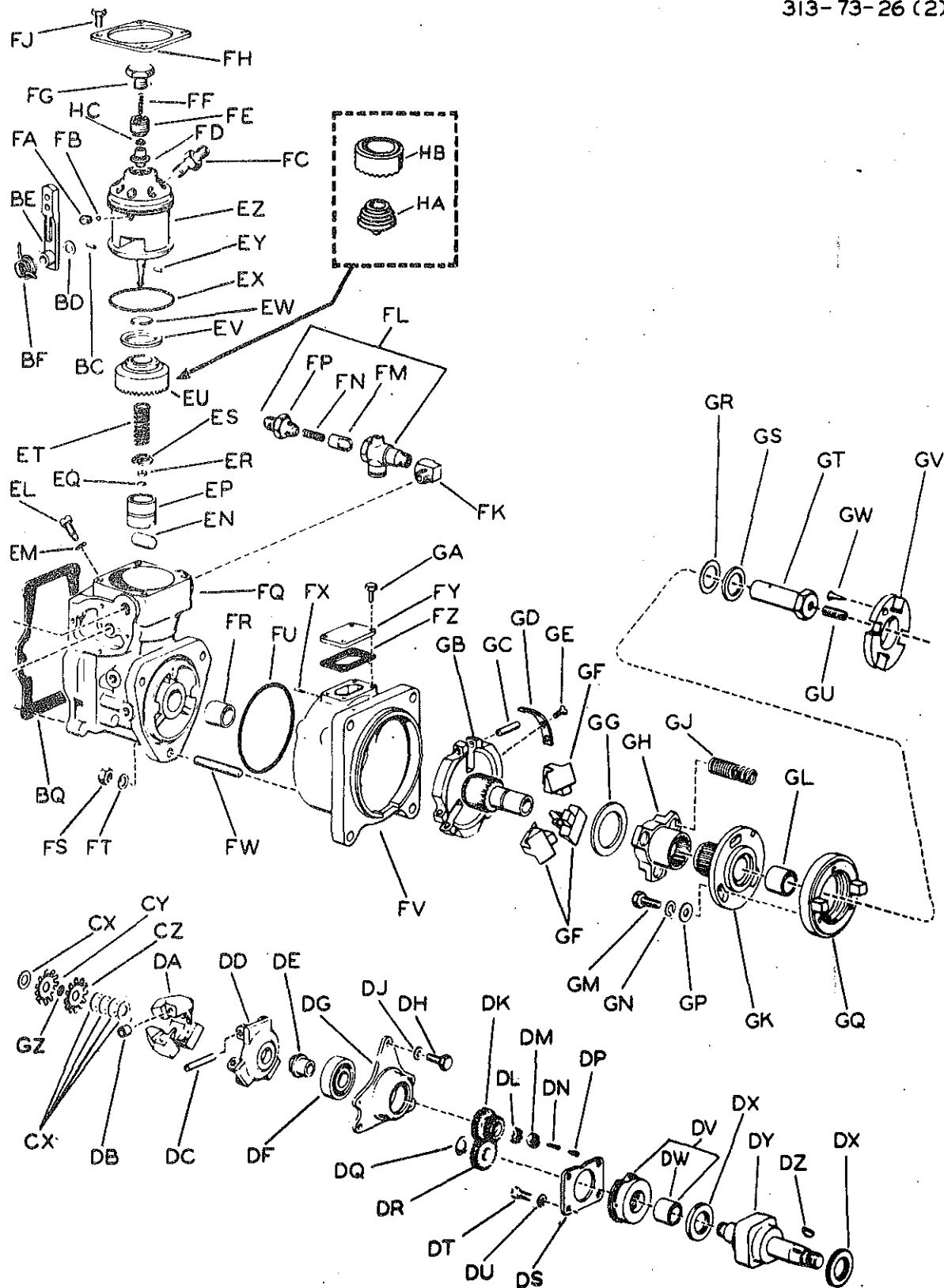
KEY	PART NUMBER	DESCRIPTION	NO. REQ.
AU	25SB 19	BRIDGE, Stop Plate	1
AV	361SZ 545	Attaching Parts: SCREW	2
AW	221SZ 19	WASHER, Lock	2
AX	42SB 88	COVER, Governor Housing	1
AY	122SB 146 *	Attaching Parts: GASKET	1
AZ	361SB 552	SCREW	3
BA	361SB 553	SCREW	1
BB	122SB 145	GASKET	1
BC	311SB 60	PIN, Operating Lever Spiral	1
BD	441SZ 450	WASHER, Operating Lever	1
BE	223SB 42	LEVER ASSEMBLY, Operating	1
BF	362SB 126	SPRING, Operating Lever	1

IK

# COMPONENT PARTS

313GC 4151CP1 thru CP5, CP11 & CP12  
FUEL INJECTION PUMP (Cont.)

313-73-26 (2)



IK



COMPONENT PARTS

313GC 4151CP1 thru CP5, CP11 & CP12  
FUEL INJECTION PUMP (Cont.)

KEY	PART NUMBER	DESCRIPTION	NO. REQ.
BG	49SB 15	CLAMP ASSEMBLY, Operating Lever	1
BH	361SZ 293	Attaching Parts: SCREW	1
BJ	261SB 28	NUT	1
BK	441SZ 365	WASHER, Lock	1
BL	343SB 51 *	"O" RING, Governor Operating Shaft	1
BM	364SB 51	SHAFT, Governor Operating	1
BN	144SB 49	HOUSING ASSEMBLY, Governor	1
BP	302SZ 147	Includes: PIN, Dowel	2
BQ	122SB 154 *	Attaching Parts: GASKET	1
BR	361SZ 566	{ SCREW, Governor Mounting	6
BS			
BT	441SZ 365	WASHER, Lock	6
BU	223SB 43	LEVER ASSEMBLY, Shut-Off	1
BV	361SZ 293	Attaching Parts: SCREW	1
BW	261SB 28	NUT	1
BX	441SZ 365	WASHER, Lock	1
BY	223SB 44	LEVER ASSEMBLY, Fulcrum (For 313GC 4151CP1 thru CP5 Only)	1
BY	223SB 51	LEVER ASSEMBLY, Fulcrum (For 313GC 4151CP11 & CP12 Only)	1
BZ	361SZ 519	Includes: SCREW, Droop (For 313GC 4151CP1 thru CP5 Only)	1
BZ	361SZ 546	SCREW, Droop (For 313GC 4151CP11 & CP12 Only)	1
CA	261SB 31	NUT, Droop Screw	1
CB	311SB 61	PIN, Pivot	2
CC	343SB 52	RING, Retaining	1
CD	311SB 62	PIN, Bracket	1
CE	22SB 38	BRACKET, Fulcrum	1
CF	361SZ 299	SCREW, Cam Securing	1
CG	51SB 16	CAM, Smoke Limit (For 313GC 4151CP1 thru CP5 Only)	1
CG	51SB 26	CAM, Smoke Limit (For 313GC 4151CP11 & CP12 Only)	k
CH	441SZ 365	WASHER, Lock, Cam Securing	1
CJ	261SB 28	NUT, Cam Securing	1
CK	343SB 67	RING, Control Rod Retaining	1
CL	342SB 30	ROD ASSEMBLY, Control	1
CM	343SB 51 *	"O" RING, Governor Shut-Off Shaft	1
CN	364SB 52	SHAFT ASSEMBLY, Governor Shut-Off	1
CP	2 23SB 45	LEVER, Governor Stop	1
CQ	305SB 62	PLATE ASSEMBLY, Spring	1
CR	365SZ 162	SCREW, Spring Plate Assembly Set	1
CS	362SB 85	SPRING, Operating Shaft	1
CT	374SB 32	SLEEVE ASSEMBLY, Governor	1
CU	441SB 74	WASHER, Governor Thrust	2
CV	39SB 23	BEARING, Thrust	1
CW	364SB 53	SHAFT, Governor Drive	1
CX	366SB 25P1	SPACER, Governor Shaft (.005)	AR
CX	366SB 25P2	SPACER, Governor Shaft (.010)	AR
CX	366SB 25P3	SPACER, Governor Shaft (.015)	AR
CX	366SB 25P4	SPACER, Governor Shaft (.020)	AR
CX	366SB 25P5	SPACER, Governor Shaft (.035)	AR
CX	366SB 25P6	SPACER, Governor Shaft (.002)	AR
CY	63SB 13	DISC, Spring (Outer)	1
CZ	63SB 14	DISC, Spring (Inner)	1
DA	443SB 18	WEIGHT ASSEMBLY, Governor	3
DB	24SB 41	Each Includes: BUSHING	2
DC	311SB 63	PIN, Friction Drive Spider Weight	3
DD	373SB 14	SPIDER, Friction Drive	1
DE	24SB 42	BUSHING, Bearing	1
DF	39SB 24	BEARING, Support Plate Ball	1
DG	305SB 63	PLATE, Bearing Support	1
DH	361SZ 520	Attaching Parts: SCREW	3
DJ	441SZ 365	WASHER, Lock	1

COMPONENT PARTS

313GC 4151CP1 thru CP5, CP11 & CP12

FUEL INJECTION PUMP (Cont.)

KEY	PART NUMBER	DESCRIPTION	NO. REQ.			
DK	125SB 32	GEAR, Governor Drive	1			
DL	441SB 66	WASHER, Lock, Drive Gear	1			
DM	261SB 38	NUT, Drive Gear	1			
DN	} 311SBA 74	PIN & SPRING ASSEMBLY	1			
DP						
DQ				343SB 53	RING, Retaining	1
DR				126SB 33	GEAR, Camshaft	1
DS				305SB 64	PLATE, Retaining	1
DT	361SZ 521	Attaching Parts: SCREW	4			
DU	441SZ 365	WASHER, Lock	4			
DV	305SB 65	PLATE ASSEMBLY, Bearing	1			
DW	24SB 43	Includes: BUSHING	1			
DX	441SB 67P1	WASHER, Thrust (.093-.094)	AR			
DX	441SB 67P2	WASHER, Thrust (.096-.097)	AR			
DY	51SB 25	CAMSHAFT	1			
DZ	201SZ 73	Attaching Parts: KEY	1			
EA	42SB 89	COVER, Control Unit	1			
EB	122SB 147 *	Attaching Parts: GASKET	1			
EC	361SZ 522	SCREW	4			
ED	305SB 88	PLATE, Control Unit	1			
EE	361SZ 522	Attaching Parts: SCREW	2			
-	442SZ 16	WIRE, Lock	AR			
EF	366SB 26	SPACER, Control Unit Plate	2			
EG	343SB 52	RING, Retaining	2			
EH	223SB 56	CONTROL UNIT ASSEMBLY, R.H.	1			
EJ	311SB 65	PIN, Plunger Sleeve	1			
EK	343SB 54 *	"O" RING, Control Unit	1			
EL	365SB 79	SCREW, Head Locating	1			
EM	122SB 149 *	Attaching Parts: GASKET	1			
EN	347SB 15	ROLLER, Tappet	1			
EP	130SB 19	GUIDE, Tappet	1			
EQ	343SB 55	RING, Spring	1			
ER	380SB 33	BUTTON, Plunger	1			
ES	377SB 32	SEAT, Lower Spring	1			
ET	362SB 128	SPRING, Tappet	1			
EU	Not Used					
EV	441SB 68	WASHER, Thrust	1			
EW	343SB 56	RING, Snap	1			
EX	343SB 57 *	"O" RING	2			
EY	311SB 66	PIN, Plunger Drive	1			
EZ	142SB 20	HEAD ASSEMBLY, Hydraulic (Includes Key Letters EQ to EY, FA to FG & HC)	1			
FA	365SZ 163	SCREW, Set	1			
FB	23SZ 27	BALL	1			
FC	101SB 17	FITTING, Discharge	8			
FD	424SB 40	VALVE ASSEMBLY, Delivery	1			
FE	149SB 15	HOLDER, Delivery Valve	1			
FF	362SB 134	SPRING, Delivery Valve	1			
FG	365SB 87	SCREW, Delivery Valve	1			
FH	305SB 67	PLATE, Head Retaining	1			
FJ	361SZ 523	SCREW, Head Retaining Plate	4			
FK	63AX 889	ELBOW, Street 90°, 1/4 NPT, Fuel Inlet Overflow Valve	2			
FL	697GC 113	VALVE ASSEMBLY, Overflow	1			
FM	424SB 30	Includes: VALVE, Overflow	1			
FN	362SB 129	SPRING, Overflow Valve	1			
FP	365SB 81	SCREW, Overflow Valve	1			

### COMPONENT PARTS

313GC 4151CP1 thru CP5, CP11 & CP12  
FUEL INJECTION PUMP (Cont.)

KEY	PART NUMBER	DESCRIPTION	NO. REQ.
FQ	144SB 58	HOUSING, Pump Includes:	1
-	311SB 75	PIN, Face Gear Locating	1
FR	24SB 43	BUSHING, Camshaft Attaching Parts:	1
FS	261SZ 322	NUT	3
FT	441SZ 451	WASHER, Lock	3
FU	343SB 58 *	"O" RING, Pump Housing	1
FV	144SBA 51	HOUSING, Timing Device Includes:	1
FW	370SB 20	STUD	3
FX	310SB 13	POINTER	1
FY	42SB 90	COVER, Timing Window Attaching Parts:	1
FZ	122SB 150 *	GASKET	1
GA	361SZ 524	SCREW	2
GB	373SBA 15	SPIDER ASSEMBLY, Timing Device Includes:	1
GC	311SB 69	PIN, Weight	3
GD	305SB 68	PLATE, Timing	1
GE	361SZ 525	SCREW, Plate	2
GF	443SB 19	WEIGHT	3
GG	441SB 69	WASHER, Thrust	1
GH	125SB 35	GEAR, Sliding	1
GJ	362SB 137	SPRING, Timing Device	3
GK	147SBA 14	HUB ASSEMBLY, Timing Device Includes:	1
GL	24SB 44	BUSHING Attaching Parts:	1
GM	361SZ 526	SCREW	3
GN	441SZ 452	WASHER, Lock	3
GP	441SZ 453	WASHER, Flat	3
GQ	50SB 14	COUPLING, Timing Device	1
GR	441SB 70	WASHER, Thrust	1
GS	441SB 71	WASHER, Timing	1
GT	261SB 39	NUT, Camshaft	1
GU	365SB 82	SCREW, Camshaft Nut Set	1
GV	347GC 124	DISC ASSEMBLY, Intermediate Includes:	1
GW	183GC 149	PIN, Disc	1
GX	375SB 23	SHIM, Supply Pump Cover	1
GY	441SB 73P1	WASHER, Shim Control Rod (.017-.019 thick)	AR
GY	441SB 73P2	WASHER, Shim Control Rod (.0115-.0125 thick)	AR
GY	441SB 73P3	WASHER, Shim Control Rod (.0075-.0085 thick)	AR
GY	441SB 73P4	WASHER, Shim Control Rod (.0035-.0045 thick)	AR
GZ	366SB 25P5	SPACER, Inner & Outer Spring Disc (.035 thick)	1
HA	147SB 15	HUB, Face Gear	1
HB	125SB 36	GEAR, Face	1
HC	130SB 21P1	GUIDE, Delivery Valve Spring (.054-.058 Yellow)	AR
HC	130SB 21P2	GUIDE, Delivery Valve Spring (.064-.068 Red)	AR
HC	130SB 21P3	GUIDE, Delivery Valve Spring (.074-.074 Blue)	1
-	209SB 14 *	KIT, Gasket Repair	1

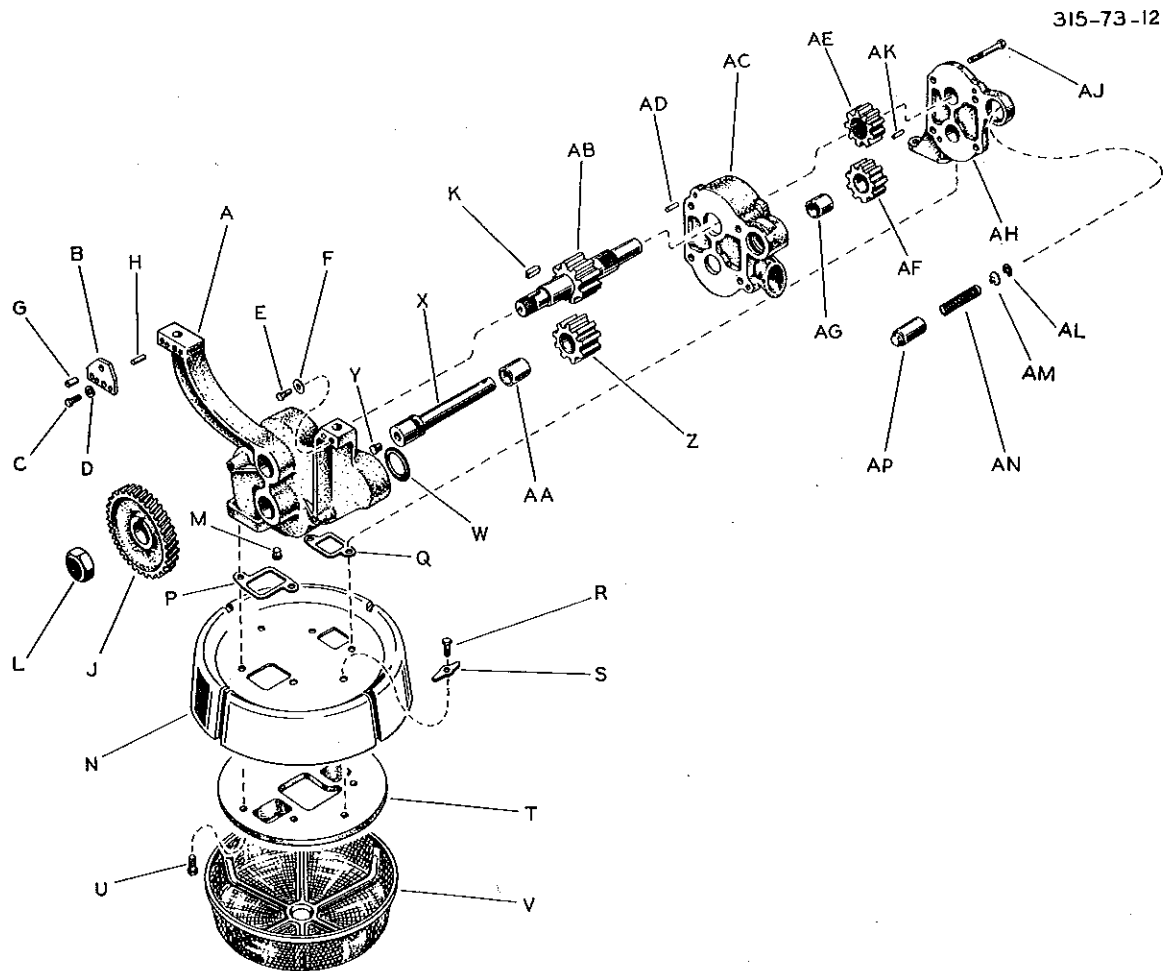
\*Included in Gasket Repair Kit

NOTE; Difference between P1 thru P5 are the Fuel Rack Setting.

**WACK CHASSIS NUMBER** must always be given with **PART NUMBER** when ordering.

## COMPONENT PARTS

315GCA 370  
OIL PUMP ASSEMBLY (FRONT)



KEY	PART NUMBER	DESCRIPTION	NO. REQ'D.
A	767GB 434	HOUSING, Oil Pump	1
B	270GB 182	PLATE, Oil Pump Locating	1
		Attaching Parts:	
C	6AX 1146	SCREW	2
D	37AX 435	WASHER, .2656	2
E	6AX 1146	SCREW, Oil Pump Positioning	1
F	35AX 1360	WASHER, Oil Pump Positioning	1
G	31AX 558	PIN, Oil Pump Guide (At Locating Plate)	1
H	31AX 554	PIN, Oil Pump Guide (At Locating Plate)	2
J	683GB 224	GEAR, Oil Pump Driven Shaft	1
		Attaching Parts:	
K	42AX 511	KEY	1
L	21AX 338	NUT, Oil Pump Gear Lock	1
M	259GC 133	PLUG, Oil Pump Housing	1

MACK CHASSIS NUMBER must always be given with PART NUMBER when ordering.

COMPONENT PARTS

315GCA 370  
OIL PUMP ASSEMBLY (FRONT) (Cont.)

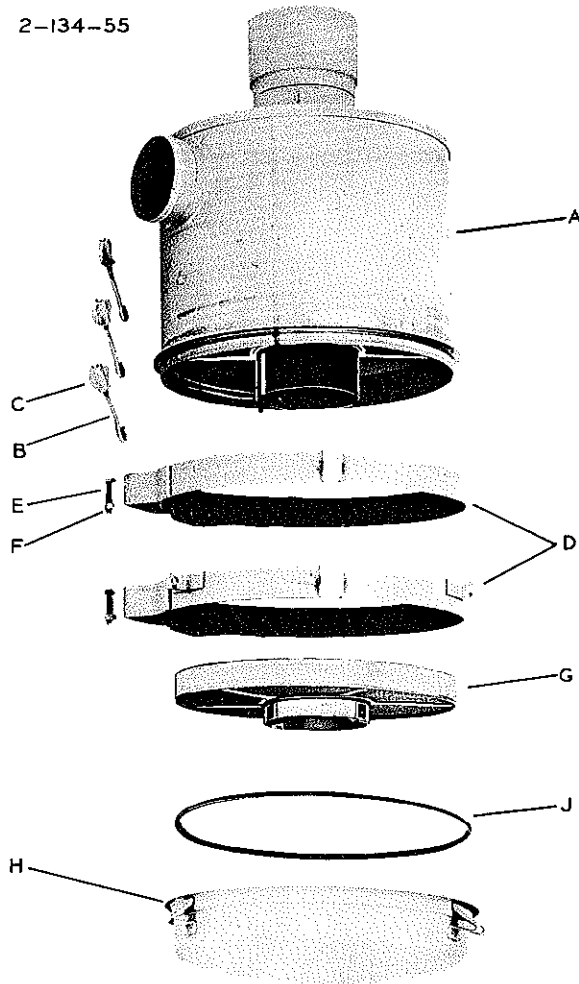
KEY	PART NUMBER	DESCRIPTION	NO. REQ.
N	492GC 236	SHIELD, Oil Pump Screen	1
P	590GB 1198	Attaching Parts: GASKET (At Oil Pump Housing)	1
Q	590GB 1199	GASKET (At Oil Pump Housing Cover)	1
R	6AX 1146	SCREW	2
S	711GC 168	WASHER	2
T	497GB 253	FITTING, Oil Pump Inlet	1
U	6AX 1151	Attaching Parts: SCREW	4
V	388GC 214	SCREEN COMPLETE, Oil Pump	1
W	446GC 184	SEAL, Oil Pump Discharge Tube	1
X	464GCA 133	SHAFT ASSEMBLY, Oil Pump Idler	1
Y	259GC 133	Includes: PLUG, Oil Pump Idler Shaft	1
Z	683GBA 184	GEAR ASSEMBLY, Main Oil Pumping Idler	1
AA	186GB 162	Includes: BUSHING, Oil Pumping Idler Gear	1
AB	463GC 234	SHAFT, Oil Pump Driven	1
AC	767GB 232	HOUSING, Oil Pump (Scavenge Section)	1
AD	31AX 555	DOWEL, Oil Pump Scavenge Housing	2
AE	683GB 191	GEAR, Oil Pumping Drive (Scavenge)	1
AF	683GBA 190	GEAR ASSEMBLY, Oil Pumping Idler (Scavenge)	1
AG	186GB 163	Includes: BUSHING	1
AH	350GB 229	COVER, Oil Pump Housing	1
AJ	6AX 1156	Attaching Parts: SCREW	4
AK	31AX 532	DOWEL, Oil Pump Housing Cover	2
AL	97AX 104	RETAINER, Oil Pressure Safety Valve Spring Cup	1
AM	711GC 176	CUP, Oil Pressure Safety Valve Spring	1
AN	572GC 19	SPRING, Oil Pressure Safety Valve (Outer)	1
AP	296GC 118	PLUNGER, Oil Pressure Safety Valve Spring	1



Quantity used is 1 unless otherwise specified in brackets ( ).

KEY	PART NUMBER	DESCRIPTION	KEY	PART NUMBER	DESCRIPTION
-----	-------------	-------------	-----	-------------	-------------

2-134-55



2MD 395

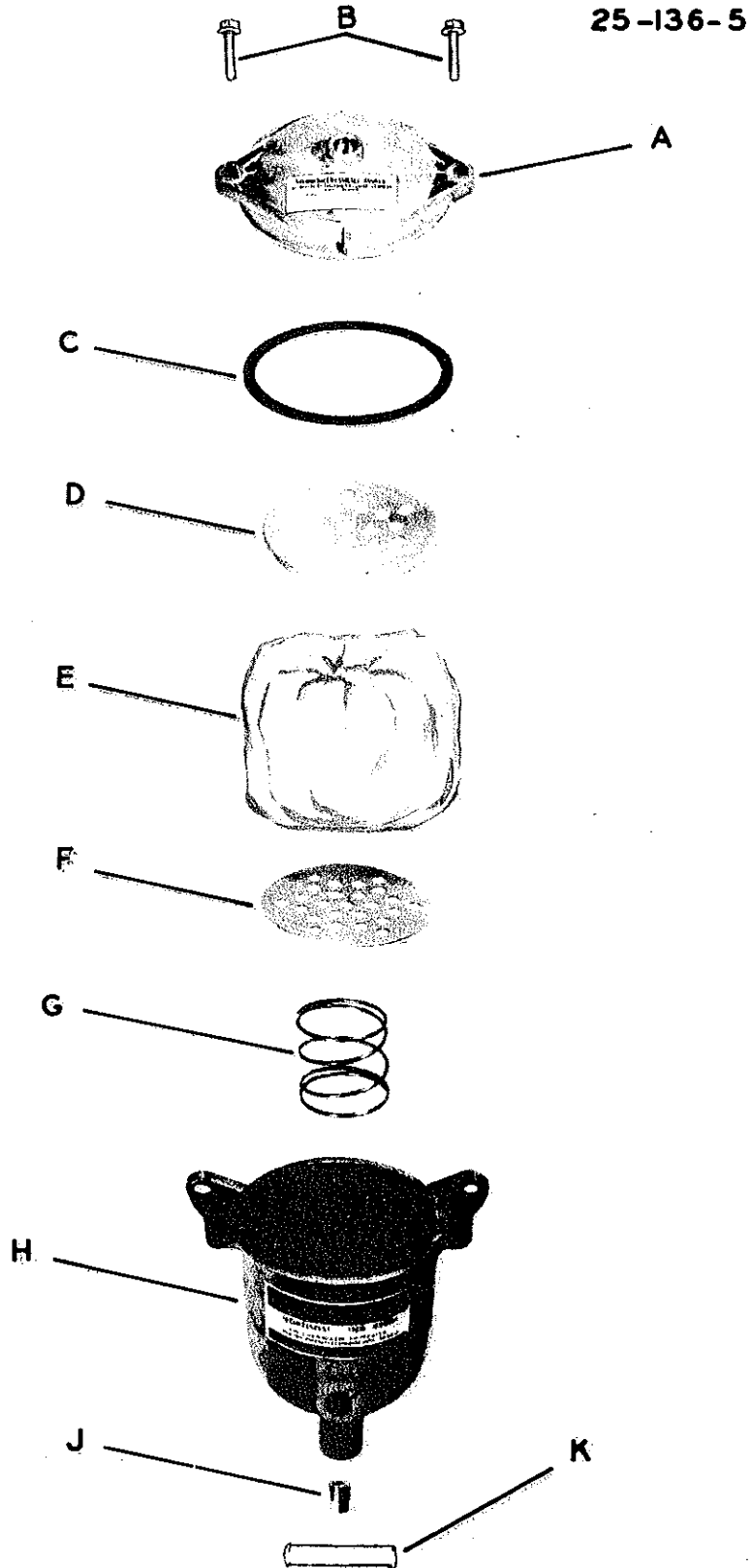
A	2191 P10-3496	BODY ASSY
B	2191 P10-3925	BOLT ASSY (3) Each Includes: NUT, Wing (3)
C	---	
D	7MD 2136	BAND ASSY, (Upper)
D	7MD 2135	BAND ASSY, (Lower) Each Includes: BOLT
E	2191 P5345	
F	2191 P5320	NUT, Hex.
G	363SD 15	ELEMENT ASSY Att Parts: NUT, Wing (2)
-	2191 P2274	
H	2191 P10-2972	CUP ASSY Att Parts:
J	2191 P14031	GASKET
-	63AX 4	PLUG, Body Assy



THIS REPLACES ALL COPIES DATED PRIOR TO MARCH 5, 1963.  
MACK CHASSIS NUMBER must always be given with PART NUMBER when ordering.

### COMPONENT PARTS

25MF 310P1, P2 &  
25MF 311  
WATER FILTER



THIS REPLACES ALL COPIES DATED PRIOR TO MARCH 5, 1963.  
 MACK CHASSIS NUMBER must always be given with PART NUMBER when ordering.

**COMPONENT PARTS**

25MF 310P1, P2 &  
 25MF 311  
WATER FILTER (Cont.)

KEY	PART NUMBER	DESCRIPTION	NO. REQ.
		<u>25MF 310P1 &amp; P2</u>	
A	6351 132718	COVER, Filter	1
		Attaching Parts:	
B	6351 9011A	SCREW, Cover (Includes Washer)	2
C	6351 4003	GASKET, Cover	1
D	6351 4011	PLATE, Upper	1
E	81SF 11	ELEMENT, Replacement (For P1)	1
E	81SF 12	ELEMENT, Replacement (For P2)	1
F	6351 4004	PLATE, Lower	1
G	6351 4215	SPRING	1
H	6351 132717	BODY, Filter (Casting)	1
J	6351 10266	PLUG, Sump Drain	1
K	6351 10298 *	INDICATOR, Flow & Condition (Transparent)	1
		<u>25MF 311</u>	
A	6351 10352	COVER, Filter	1
		Attaching Parts:	
B	6351 9011A	SCREW, Cover (Includes Washer)	2
C	94RU 196	GASKET, Cover	1
D	73RU 11761	PLATE, Upper	1
E	25MF 212P1	ELEMENT, Replacement (For Water or Water Alcohol Mixture)	1
E	25MF 212P2	ELEMENT, Replacement (For Permanent-Type Anti-Freeze Mixture)	1
F	71RU 12046	PLATE, Lower	1
G	57QL 181	SPRING	1
H	6351 10351	BODY, Filter (Casting)	1
J	----	NOT USED	
K	6351 10298 *	INDICATOR, Flow & Condition (Transparent)	1
		*Optional Accessory	

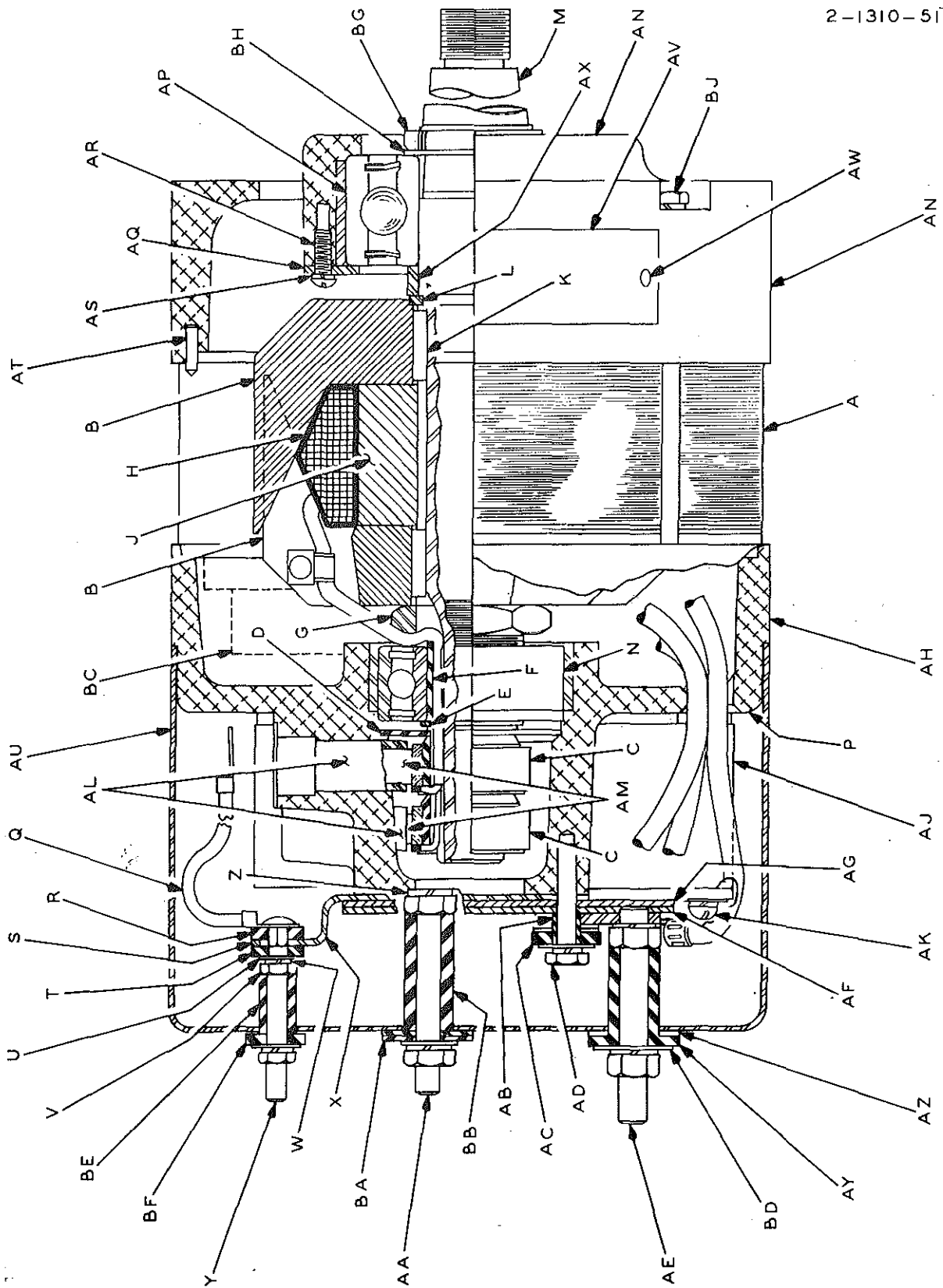


MACK CHASSIS NUMBER must always be given with PART NUMBER when ordering.

### COMPONENT PARTS

2MJ 280P1  
ALTERNATOR

2-1310-51



IK

1/27/65 sr-mes

#1-2

COMPONENT PARTS

2MJ 280PI  
ALTERNATOR (Cont.)

KEY	PART NUMBER	DESCRIPTION	NO. REQ.
A	5034 58500	STATOR ASSEMBLY	1
B	5034 32058 *	ROTOR ASSEMBLY	1
		Includes:	
C	5034 S-32260	RING ASSEMBLY, Slip	2
D	5034 32056	WASHER, Insulator	1
E	5034 29659	RING, Snap	1
F	5034 30300	WEDGE, Slot	1
G	5034 54972	NUT, Rotor Lock	1
H	5034 S-24859	COIL ASSEMBLY	1
J	5034 29655	HUB	1
K	5034 28843	KEY, Shaft	1
L	5034 29658	RING, Snap (At Rotor)	1
M	5034 32055	SHAFT	1
N	5034 32054	BEARING	1
P	5034 58501	HOUSING ASSEMBLY, Slip Ring	1
		Includes:	
Q	5034 57584	LEAD ASSEMBLY	1
R	5034 58370	INSULATOR	1
S	5034 13984	WASHER, Insulation	2
T	5034 58371	INSULATOR	1
U	5034 26141	WASHER, Guard	2
V	5034 4340	NUT, #10-24 Hex.	2
W	5034 2434	WASHER, Lock	5
X	5034 57577	BRACKET, Brush Terminal	1
Y	5034 58513	SCREW, Terminal #10-24 x 2" Long	2
Z	5034 2523	WASHER, Lock	6
AA	5034 58514	STUD, Center 1/4-20 x 3" Lg.	2
AB	5034 13792	BUSHING	3
AC	5034 4470	WASHER, Insulator	11
AD	5034 13922	SCREW, #10-32 Hex. hd. std.	3
-	5034 5293	WASHER, Guard	3
AE	5034 58517	PLATE & STUD ASSEMBLY, A.C. Connector	3
AF	5034 58519	INSULATOR, A.C. Terminal (Top)	1
AG	5034 58518	INSULATOR, A.C. Terminal (Bottom)	1
AH	5034 58508	HOUSING, End	1
AJ	5034 58441	MOUNT, Rectifier	2
-	5034 24747	SLEEVE, Rectifier Mount. Screw	4
AK	5034 59087	SCREW, Rectifier Mount	4
AL	5034 28456	HOLDER & STUD ASSEMBLY, Brush	2
		Includes:	
AM	5034 28711	BRUSH & SPRING ASSEMBLY	2
AN	5034 58502	HOUSING ASSEMBLY, Drive End	1
		Includes:	
AP	5034 29662	BEARING	1
AQ	5034 29663	RETAINER, Bearing	1
AR	5034 5179	SCREW, Retainer	4
AS	5034 2434	WASHER, Lock, Retainer Screw	4
AT	5034 16333	PIN, Housing	1
AU	5034 58504	COVER, Rectifier	1
AV	5034 28707	PLATE, Name	1
		Attaching Parts:	
AW	5034 6810	SCREW, Drive #6	2
AX	5034 29652	COLLAR, Rotor Shaft	1
AY	5034 57579	BUSHING (A.C.)	3
AZ	5034 13626	WASHER, Guard	3
BA	5034 31173	WASHER, Insulator	4
BB	5034 58784	BUSHING, Spacer	2
BC	5034 59067	INSULATOR	1
BD	5034 26228	WASHER, Guard	3
BE	5034 59098	BUSHING, Spacer	2
BF	5034 58371	INSULATOR	1
-	5034 31097	WASHER, Lock, Shaft	1
BG	5034 18930	NUT, Bearing Retainer	1
BH	5034 28885	WASHER, Guard	1
BJ	5034 58505	SCREW, Drive End Housing	4
		ROTOR IRON REPLACEMENT RECOMMENDED ONLY WHEN ADEQUATE MACHINING & BALANCING EQUIPMENT IS AVAILABLE.	

NOTE: \*

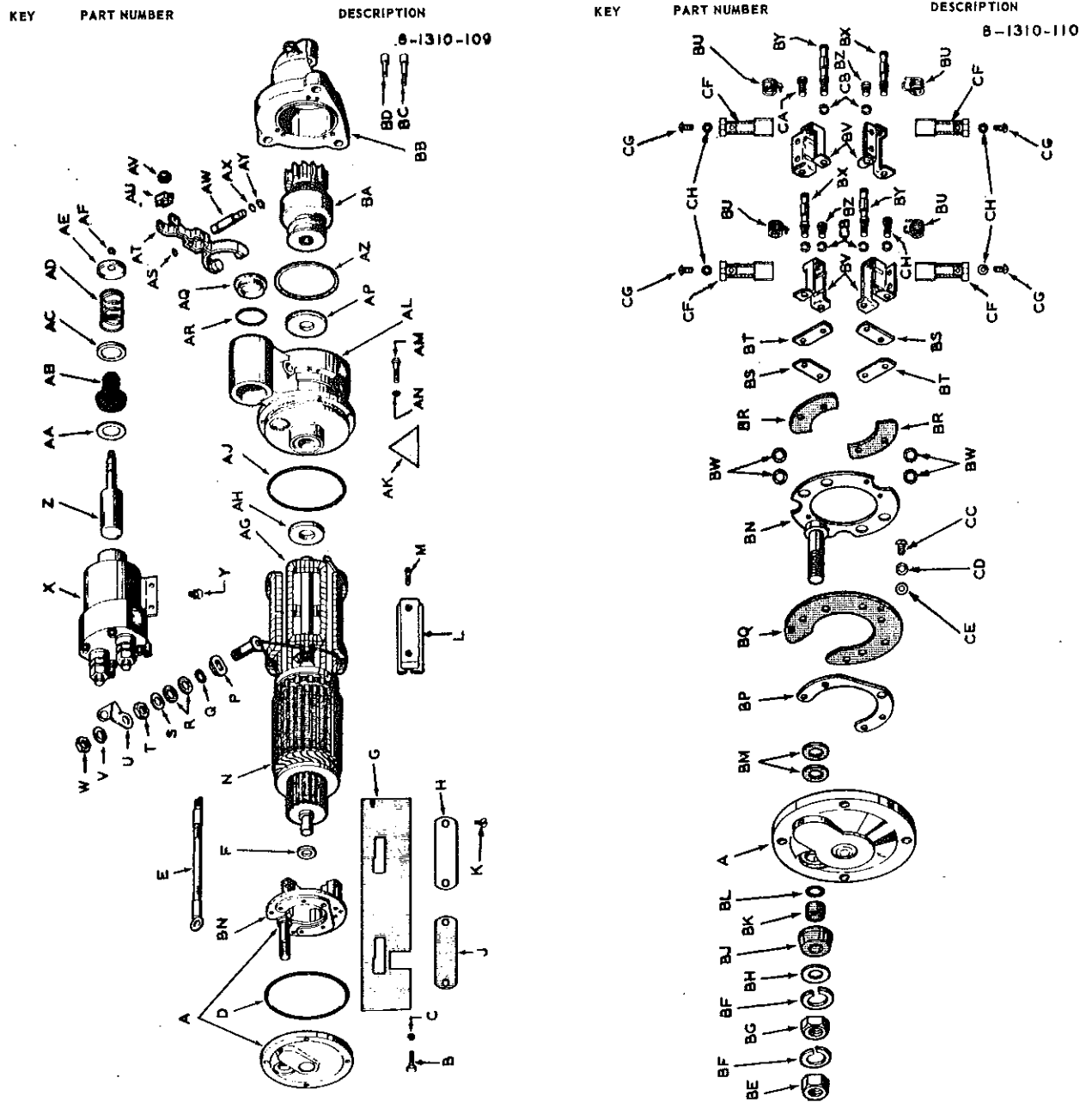


COMPONENT PARTS

THIS REPLACES ALL COPIES DATED PRIOR TO OCTOBER 14, 1965.

8MJ 4107P1, 4107P2 & 4108  
STARTER MOTOR

Quantity used is 1 unless otherwise specified in brackets ( ).



KEY	PART NUMBER	DESCRIPTION
A	2132 1945514	FRAME, (C.E.) Includes:
-	2132 38273	BUSHING, (C.E.)
-	2132 103893	PLUG, Expansion (8MJ 4107P1 & 4108 only)
-	2132 1945697	SEAL, Oil (8MJ 4107P2 Only)
-	2132 125947	PLUG, Pipe (8MJ 4107P1 & 4108 only)
-	2132 453465	PLUG, Pipe (8MJ 4107P2 only)
-	2132 1916439	WICK (C.E.) Attaching Parts:
B	2132 1914869	SCREW, (4)
C	2132 131098	WASHER (8MJ 4107P1 & 4108) (4)
C	36AX 1	WASHER, Lk 1/4 ID (8MJ 4107P2) (4)
D	2132 1916272	"O" RING, (C.E.) (8MJ 4107P1)
E	2132 1945470	LEAD ASSEMBLY

KEY	PART NUMBER	DESCRIPTION
F	2132 1905014	WASHER, Thrust (C.E.)
G	2132 1945479	INSULATOR, Field Coil (C.E.) (8MJ 4107P1 & 4107P2)
G	2132 1915179	INSULATOR, Field Coil (C.E.) (8MJ 4108)
H	2132 1945478	PLATE, Brush Cov Attaching Parts:
J	2132 1945477	GASKET (2)
K	2132 9414397	SCREW, Cov Pl (4)
L	2132 1934478	SHOE, Pole (4) Attaching Parts:
M	2132 1913960	SCREW (8)
N	1SG 27	ARMATURE (8MJ 4107P1)
N	2132 1961320	ARMATURE (8MJ 4107P2 & 4108)
P	2132 1937116	BUSHING, Term Stud
Q	2132 1945469	GASKET, Term Stud

10/14/65 rs-jt



CHASSIS NUMBER must always be given with PART NUMBER when ordering.



COMPONENT PARTS

THIS REPLACES ALL COPIES DATED PRIOR TO OCTOBER 14, 1965.

8MJ 4107P1, 4107P2 & 4108  
STARTER MOTOR (Cont.)

Quantity used is 1 unless otherwise specified in brackets ( ).

KEY	PART NUMBER	DESCRIPTION	KEY	PART NUMBER	DESCRIPTION
R	2132 1922457	WASHER, Insul Term Stud (2)	BL	2132 1909531	"C" FIN3, Term Stud (C.E.)
S	2132 811912	WASHER, Term Stud (C.E.&D.E.)(2)	BH	2132 1861791	WASHER, Term Stud Insul(2)
T	2132 120238	NUT, Term Stud	BW	2132 1945517	PLATE ASSY, Brush (Less Brush)
U	2132 1945468	CONNECTOR, Term to Sw			Includes:
V	2132 9421427	WASHER, Lk Term Stud	BP	2132 1874847	PLATE, Support
W	2132 120238	NUT, Term Stud	BQ	2132 1909523	INSULATOR, Brush P1
X	362SG 51	SWITCH, Solenoid (8MJ 4107P1)	BR	2132 18748646	INSULATOR, Brush Holder (2)
X	2132 1119879	SWITCH, Solenoid(8MJ 4107P1 & 4108)	BS	2132 1874848	PLATE, Brush Insul Spcr (2)
		Attaching Parts:	BT	2132 1874851	PLATE, Brush Holder Gnd Spcr (2)
Y	2132 1930611	SCREW, & LOCK WASHER ASSY (4)	BU	2132 1861785	SPRING, Brush (8)
Z	2132 1945480	PLUNGER	BV	2132 1909521	HOLDER, Brush (4)
AA	2132 1945474	WASHER, Retg Sprg	BW	2132 1913080	BUSHING, Brush Holder Scr (8)
AB	2132 1942257	BOOT, Pngr	BX	2132 1904983	SCREW, Gnd Brush Holder (Long)
AC	2132 1942256	RETAINER, Sprg			(2)
AD	2132 1942260	SPRING, Shft Lvr Retg	BY	2132 1904982	SCREW, Insul Brush Holder (Long)
AE	2132 1942282	RETAINER, Sprg			(2)
AF	2132 9415235	SNAP, RING, Shft Lvr Retg	BZ	2132 446646	SCREW, Gnd Brush Holder (Short)
AG	45SG 16	COIL ASSY,Field (8MJ 4107P1)			(2)(8MJ 4107P1 & 4108)
AG	2132 1949109	COIL ASSY,Field (8MJ 4107P2 & 4108)	BZ	361SZ 587	SCREW, Gnd Brush Holder (Short)
		Includes:			(2)(8MJ 4107P2)
-	362SZ 83	STUD, Term (8MJ 4107P1 & 4108)	CA	2132 1914642	SCREW, Insul Brush Hold (Short)
-	2132 1950561	STUD, Term (8MJ 4107P2 )			(2)
AH	2132 1936466	WASHER, Space	CB	2132 453296	WASHER, Lk Brush Holder(8)
AJ	2132 1916272	"O" RING, Lvr Hsng			(8MJ 4107P1 & 4108)
AK	2132 1913534	INSULATOR, Field Coil(8MJ 4107P1)	CB	2132 453435	WASHER, Lk Brush Holder (8)
AK	2132 1868835	INSULATOR, Field Coil (8MJ 4108)			(8MJ 4107P2)
AL	2132 1945510	HOUSING, Lvr			Attaching Parts:
		Includes:	CC	2132 9417096	SCREW(3)
-	2132 125947	PLUG, Pipe (8MJ 4107P1 & 4108)	CD	2132 1904376	WASHER, Lk (3)(8MJ 4107P1 &
-	2132 453465	PLUG, Pipe (8MJ 4107P2)			4108)
-	2132 1916439	WICK, Oil	CD	2132 453844	WASHER, LK (3)(8MJ 4107P2)
-	2132 1923484	BUSHING, Lvr Hsng	CE	2132 810794	WASHER(3)
-	2132 1918047	SEAL, OIL	CF	23SG 21	BRUSH, (8MJ 4107P1)
		Attaching Parts:	CF	2132 1906988	BRUSH, (8MJ 4107P2 & 4108)
AM	2132 1914869	SCREW(5)			Attaching Parts:
AN	2132 131098	WASHER, Lk (8MJ 4107P1 & 4108)	CG	2132 453418	SCREW(8)
		(5)	CH	2132 453299	WASHER, LK (8)(8MJ 4107P1 &
AN	36AX 1	WASHER, Lk(8MJ 4107P2)(5)			4108)
AP	2132 1911644	WASHER, Brk	CH	2132 453844	WASHER, Lk (8)(8MJ 4107P2)
AQ	2132 1945356	PLUG, Lvr Hsng			
AR	121SG 31	GASKET(8MJ 4107P1 & 4108)			
AR	2132 1964857	GASKET, (8MJ 4107P2)			
AS	2132 1921805	"O" RING, Shft Lvr (1/2" Dia)			
AT	2132 1945484	LEVER, Shft			
AU	2132 1945475	GUIDE, Pngs Rod (8MJ 4107P1 &			
		4108)			
AV	2132 9412305	NUT, Pngr Rod			
AW	2132 1945472	LEVER, Shft			
AX	2132 1914372	"O" RING, Shft Lvr (15/64 Dia.)			
AY	2132 9415235	SNAP, RING, Lvr Shft Retg			
AZ	2132 1945476	GASKET, Lvr Drv Hsng			
BA	2132 1945487	DRIVE ASSY			
BB	2132 1957847	HOUSING, Drv			
		Includes:			
-	2132 1916439	WICK, (D.E.)			
-	2132 1942258	BUSHING, (D.E.)			
-	2132 273913	PLUG, Pipe (D.E.)(1/4 dia)			
-	2132 125947	PLUG, Pipe (D.E.)(11/32 dia)			
		(8MJ 4107P1 & 4108)			
-	2132 453465	PLUG, Pipe (D.E.)(11/32 dia)			
		(8MJ 4107P2)			
		Attaching Parts:			
BC	2132 1948536	SCREW(5)			
BD	2132 1948537	SCREW(5)			
BE	2132 120378	NUT, Term Stud (C.E.)			
BF	2132 9421427	WASHER, Lk Term Stud (C.E.)(2)			
BG	2132 120238	NUT, Term Stud (C.E.)			
BH	2132 811912	WASHER, Term Stud (C.E.)(8MJ			
		4107P1)			
BJ	2132 1918637	INSULATOR, Term Stud (C.E.)			
BK	2132 1918690	BUSHING, Term Stud (C.E.)			



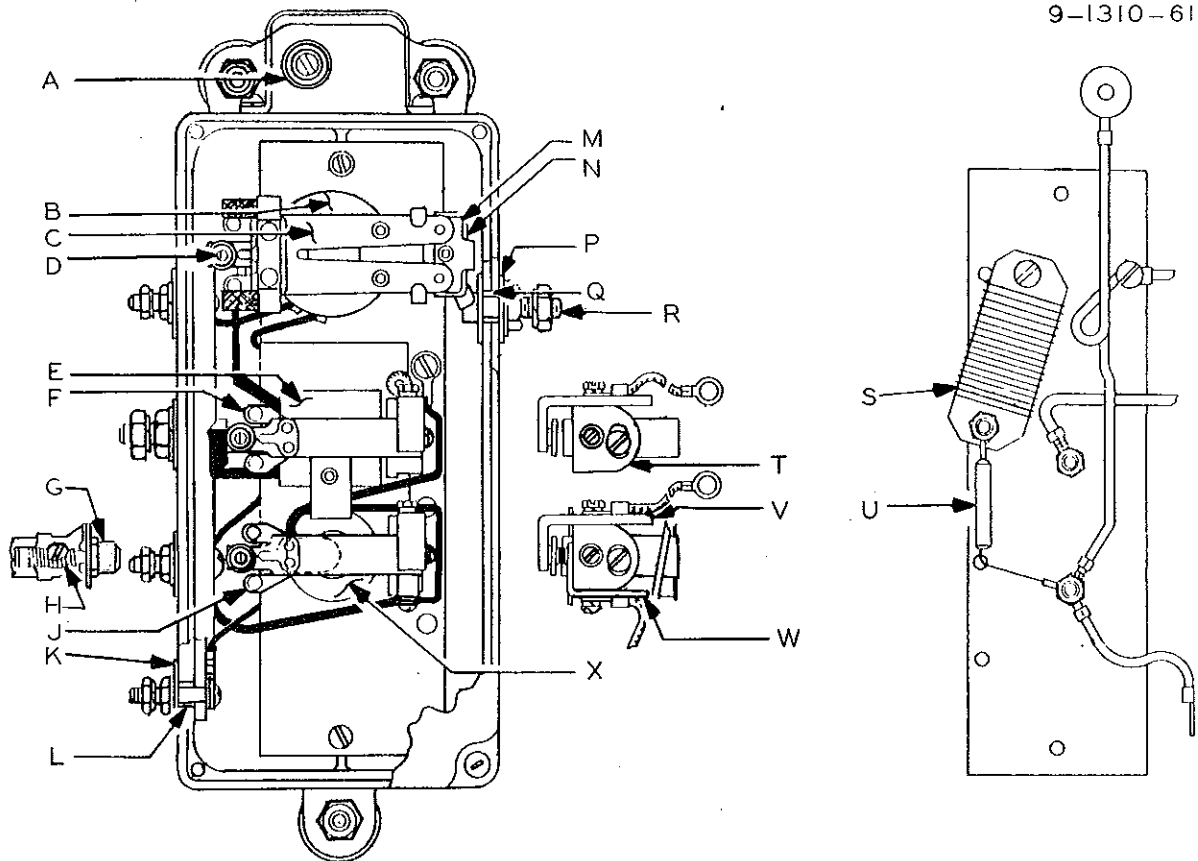
**MACK CHASSIS NUMBER** must always be given with **PART NUMBER** when ordering.

**COMPONENT PARTS**

9MJ 255P1 (14 Volts)

VOLTAGE REGULATOR

9-1310-61



KEY	PART NUMBER	DESCRIPTION	NO. REQ.
A	5034 32297	RESISTOR (20 OHMS)	1
B	5034 29325	COIL & YOKE ASSEMBLY	1
C	5034 56880	ARMATURE ASSEMBLY	1
D	5034 30437	SPRING & SCREW ASSEMBLY, Adjusting	1
E	5034 53123	COIL ASSEMBLY	1
F	5034 32719	ARM ASSEMBLY	1
G	5034 8465	NUT, Adjusting	3
H	5034 31520	SPRING & SCREW ASSEMBLY, Adjusting	2
J	5034 32718	ARMATURE	1
K	5034 13700	WASHER, Insulating	3
L	5034 8342	BUSHING, Insulating	9
M	5034 7885	PLATE ASSEMBLY, Contact	1
N	5034 7873	INSULATOR	6
P	5034 31173	WASHER, Insulating	3
Q	5034 4488	BUSHING, Insulating	6
R	5034 29320	JUMPER ASSEMBLY	1
S	5034 28594	RESISTOR (15 OHMS)	1
T	5034 31667	BLOCK, Carrier	1
U	5034 31508	RESISTOR (330 OHMS)	1
V	5034 31668	CARRIER ASSEMBLY	2
W	5034 31669	CARRIER ASSEMBLY	1
X	5034 35617	COIL ASSEMBLY	1
-	5034 54195	ELEMENT ASSEMBLY	1

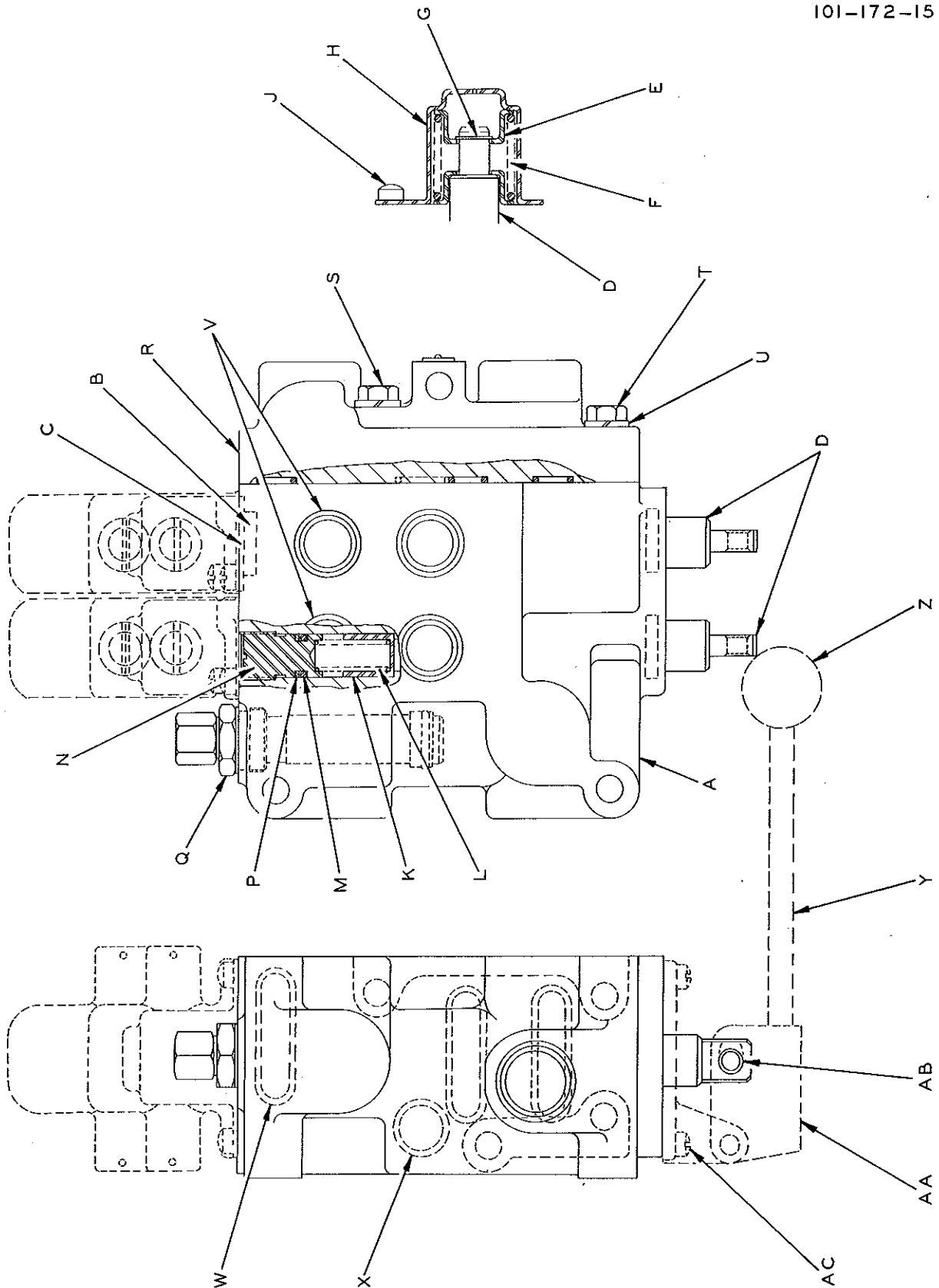
IK

MACK CHASSIS NUMBER must always be given with PART NUMBER when ordering.

### COMPONENT PARTS

101QB 129  
OUTRIGGER CONTROL VALVE (HYDRAULIC)

101-172-15



COMPONENT PARTS

101QB 129  
OUTRIGGER CONTROL VALVE (HYDRAULIC)(Cont.)

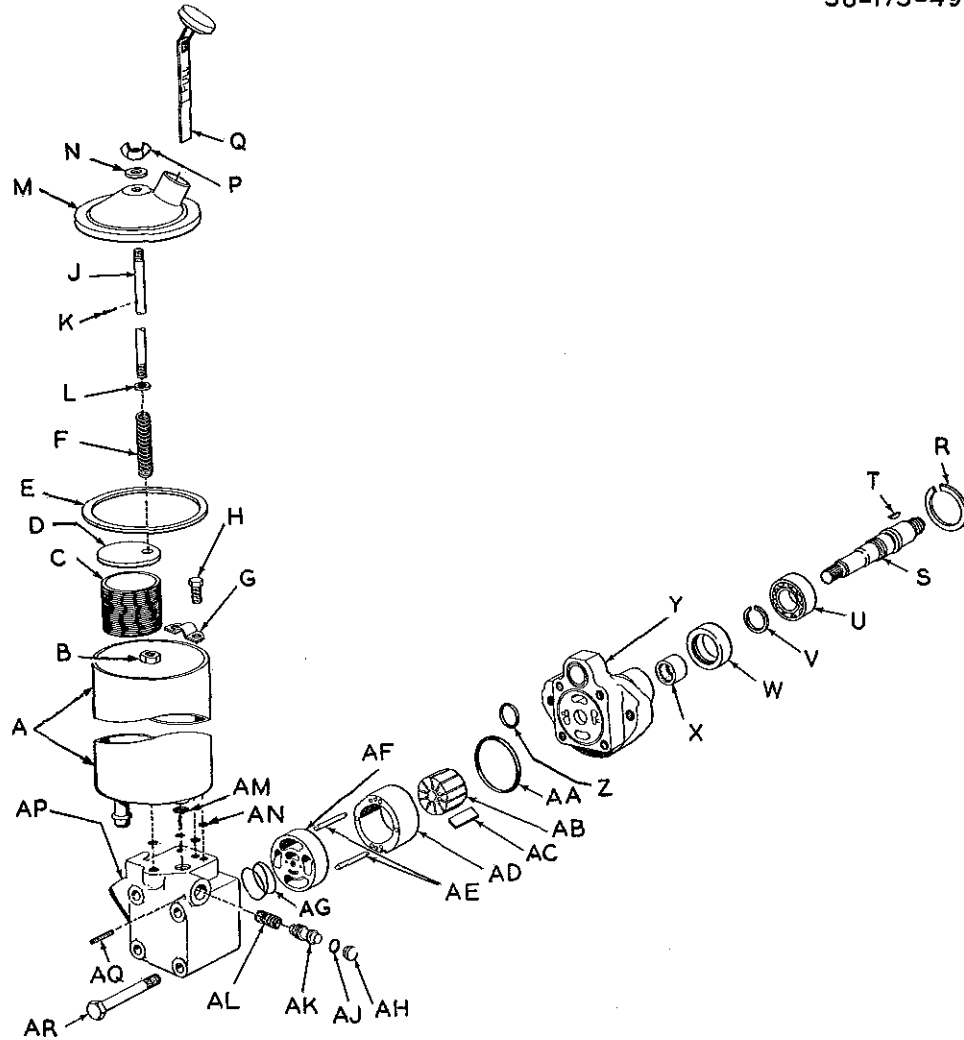
KEY	PART NUMBER	DESCRIPTION	NO. REQ.
A	9225 151-27044-1	BODY, Valve	1
B	9225 29771-211	"O" RING, Spool	4
C	9225 151-27014	WASHER, Body	2
D	9225 151-27013-1	SPOOL, 1st & 2nd	2
E	9225 151-27018	COLLAR, 1st and 2nd Spool	4
F	9225 151-27019	SPRING, 1st and 2nd. Spool Centering	2
G	9225 29650-13	RING, 1st. & 2nd. Spool Retaining	2
H	9225 151-27020	CAP, 1st. & 2nd. Spool Return Spring	2
J		Attaching Parts:	
K		SCREW, fill. hd. 1/4-20 NC x 1/2 (6AX 6)	4
L	9225 151-27009-1	PISTON, Check Valve	2
M	9225 151-27008	SPRING, Check Valve	2
N	9225 29791-112	"O" RING, Check Valve	2
P	9225 151-27017	PLUG, Check Valve	2
Q	9225 29691-112	RING, Check Valve Back-Up	2
R	9225 152-27000	CARTRIDGE ASSEMBLY, Relief Valve	1
S	9225 151-27003-2	OUTLET SECTION	1
T		Attaching Parts:	
U		SCREW, cap, 3/8-16 NC x 1-3/4 (6AX 62)	1
V		SCREW, cap, 3/8-16 NC x 1-1/2 (4AX 3)	3
W		WASHER, Lock, 3/8 I.D. (36AX 3)	4
X	9225 29701-3	PLUG, Body	4
Y	9225 29701-4	PLUG, Outlet Section	2
Z	9225 29791-128	"O" RING, Outlet Section	3
AA	9225 29791-115	"O" RING, Outlet Section	1
AB	9225 27036-2	LEVER & KNOB ASSEMBLY	2
AC		Each Includes:	
	9225 27035	KNOB	1
	9225 26728-1	BRACKET, Mounting	1
	9225 26729	PIN, Clevis	2
	9225 29660-1	PIN, Cotter	2
	9225 29521-41	SCREW	2

THIS REPLACES ALL COPIES DATED PRIOR TO MARCH 25, 1963.  
 MACK CHASSIS NUMBER must always be given with PART NUMBER when ordering.

### COMPONENT PARTS

38QC 414P1,P2 & P3  
HYDRAULIC STEERING PUMP

38-173-49



KEY	PART NUMBER	DESCRIPTION	NO. REQ'D.
A	8813 229687	RESERVOIR ASSEMBLY	1
B	8813 70996	NUT, Tank Stud	1
C	8813 213984	ELEMENT, Filter	1
	8813 213982	RETAINER, Element	1
E	---	* GASKET, Cover	1
F	8813 212683	SPRING, Cover	1
G	8813 222029	BAFFLE	1
H	8813 174601	Attaching Parts: SCREW	2
J	8813 229678	STUD, Tank	1
K	8813 1866	Attaching Parts: COTTER PIN	1
L	8813 1586	WASHER, Tank Stud Nut	1



## COMPONENT PARTS

380C 414P1, P2 &amp; P3

## HYDRAULIC STEERING PUMP (Continued)

KEY	PART NUMBER	DESCRIPTION	NO. REQ.
M	8813 229679	COVER ASSEMBLY, Tank Attaching Parts:	1
N	8813 15370	WASHER	1
P	8813 109609	NUT, Wing	1
Q	8813 229682	DIPSTICK ASSEMBLY	1
R	8813 172376	RING, Snap (Outer)	1
S	8813 250455	SHAFT Attaching Parts:	1
T	8813 1606	KEY	1
U	8813 148423	BEARING, Shaft Ball	1
V	8813 106641	RING, Snap (Inner)	1
W	---	* SEAL, Oil	1
X	8813 222440	BEARING, Shaft Roller	1
Y	8813 922869	BODY ASSEMBLY	1
Z	---	* "O" RING, Body	1
AA	---	* "O" RING, Body	1
AB	8813 213860	ROTOR, (For P1 Only)	1
AB	8813 213858	ROTOR (For P2 & P3 Only)	1
AC	8813 912139	KIT, Rotor Vane (10 Vanes)(For P1 Only)	1
AC	8813 922593	KIT, Rotor Vane (10 Vanes)(For P2 & P3 Only)	1
AD	8813 213933	RING, Rotor (For P1 Only)	1
AD	8813 213934	RING, Rotor (For P2 & P3 Only)	1
AE	8813 217308	PIN, Rotor Ring (For P1 Only)	2
AE	8813 217307	PIN, Rotor Ring (For P2 & P3 Only)	2
AF	8813 213988	PLATE, Pressure	1
AG	8813 245507	SPRING, Pressure Plate	1
AH	8813 175049	PLUG, Control Valve Cover	1
AJ	---	* "O" RING, Control Valve	1
AK	8813 232795	VALVE ASSEMBLY, Control (For P1 & P3 Only)	1
AK	8813 232797	VALVE ASSEMBLY, Control (For P2 Only)	1
AL	8813 170072	SPRING, Control Valve	1
AM	---	* "O" RING, Cover	1
AN	---	* "O" RING, Cover	4
AP	8813 217987	COVER ASSEMBLY Attaching Parts:	1
AQ	8813 32559	PIN	1
AR	8813 1278	SCREW	4
-	8813 922634	KIT, Cartridge (Includes: Key Letters AB, AC & AD)(For P1 Only)	1
-	8813 213934	KIT, Cartridge (Includes: Key Letters AB, AC & AD)(For P2 & P3 Only)	1
-	8813 922759	KIT, Gasket	1

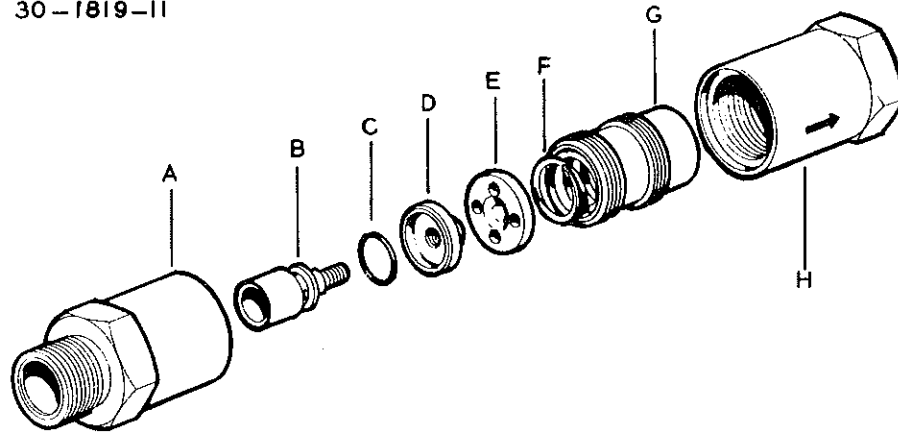
\*Serviced Only in Gasket Kit.

**MACK CHASSIS NUMBER** must always be given with **PART NUMBER** when ordering.

**COMPONENT PARTS**

3ORS 1385  
RELIEF VALVE

30-1819-11



KEY	PART NUMBER	DESCRIPTION	NO. REQ.
A	1841 10580	END, Valve	1
B	1841 516	POPPET	1
C	1841 5303	"O"RING, Dynamic	1
D	1841 517	NUT, Poppet	1
E	1841 518	EQUALIZER	1
F	1841 515	SPRING	1
G	1841 514	GUIDE, Spring	1
H	1841 10537	HOUSING	1

IK

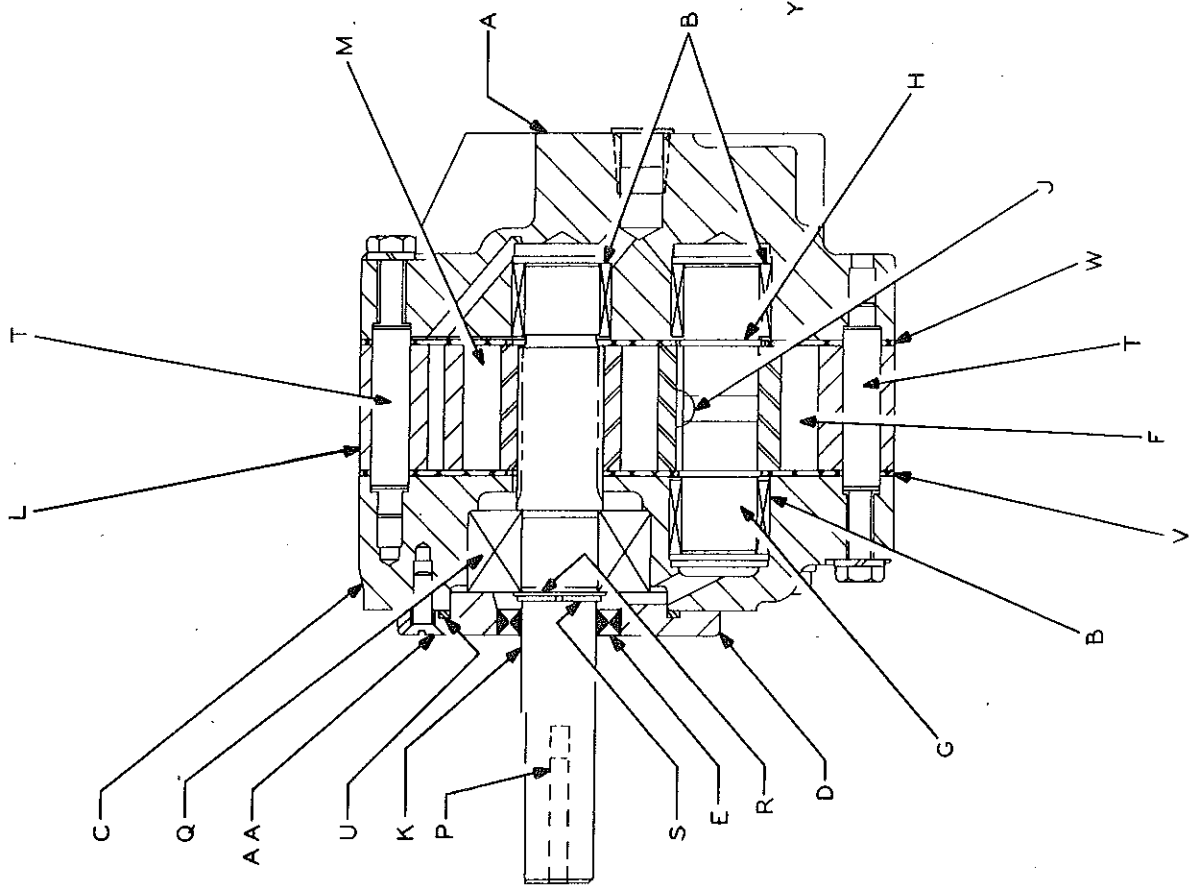
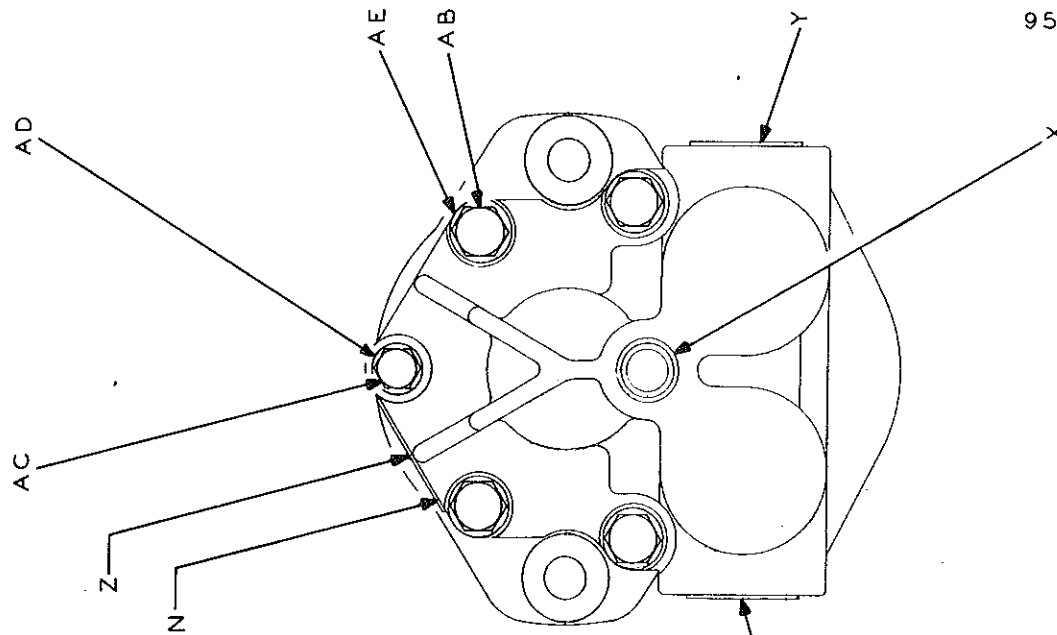
MACK CHASSIS NUMBER must always be given with PART NUMBER when ordering.

### COMPONENT PARTS

95RS 218

HYDRAULIC MOTOR

95-1819-131



IK

10/19/64 sr-mes

#1-2

COMPONENT PARTS

95RS 218

HYDRAULIC MOTOR (Cont.)

KEY	PART NUMBER	DESCRIPTION	NO. REQ.
A	9225 150-16751-19	COVER ASSEMBLY	1
		Includes:	
B	9225 151-30621	BEARING, Needle	3
C	9225 150-16877-8	BODY ASSEMBLY	1
D	9225 150-16865-4	PLATE ASSEMBLY, Pilot	1
		Includes:	
E	9225 151-26813	SEAL, Oil	1
F	9225 151-20359-6	GEAR, Idler	1
G	9225 151-20357	SHAFT, Idler	1
H	9225 29650-17	RING, Retaining	2
J	9225 29620-10	KEY, Idler Shaft Woodruff	1
K	9225 151-23609	SHAFT, Drive	1
L	9225 151-20354-4	PLATE, Gear	1
M	9225 151-23359-2	GEAR, Drive	1
N	9225 151-24286	NAMEPLATE	1
P	9225 151-17665	KEY, Drive Shaft	1
Q	9225 151-30623	BEARING, BALL, Drive Shaft	1
R	9225 29602-132	WASHER, Drive Shaft Bearing Space	1
S	9225 29650-3	RING, Drive Shaft Bearing Retaining	1
T	9225 151-12555-19	PIN, Gear Plate Dowel	2
U	9225 29771-138	"O" RING, Pilot Plate Assembly	1
V	9225 151-22105-1	PLATE, Wear (Open End of Pump)	1
W	9225 151-22105	PLATE, Wear (Closed End of Pump)	1
X	9225 29701-1	PLUG, Cover	2
Y	9225 29701-4	PLUG, Cover (Side of Cover)	2
Z	9225 29549-4	SCREW, Nameplate Drive	3
AA	9225 29520-33	SCREW, Pilot Plate flat Hd. Machine	6
AB	9225 29530-35	SCREW, Cover Hex. hd. Cap	2
AC	9225 29530-21	SCREW, Cover Hex. hd. Cap	2
AD	9225 29601-11	WASHER, Lock, Cover Screw	6
AE	9225 29601-12	WASHER, Lock, Cover Screw	6

# Mack PARTS BOOK

## INDEX

2

### GROUP #2 - FUEL

#### SPECIAL EQUIPMENT

16MB 48P4

GAUGE, Fuel (Tank Unit) (For Tractor)

1

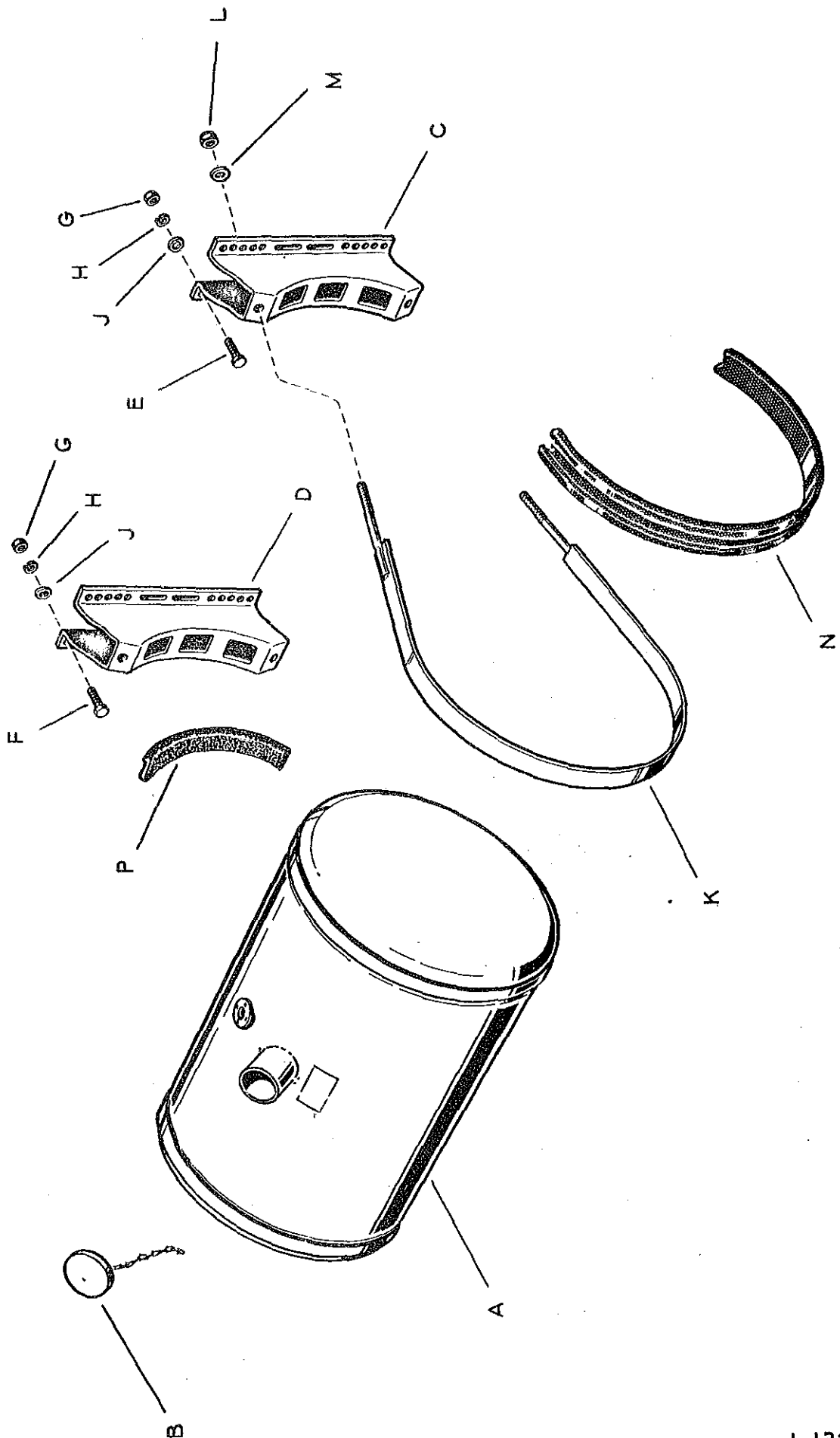
#### COMPONENTS

483GB 332

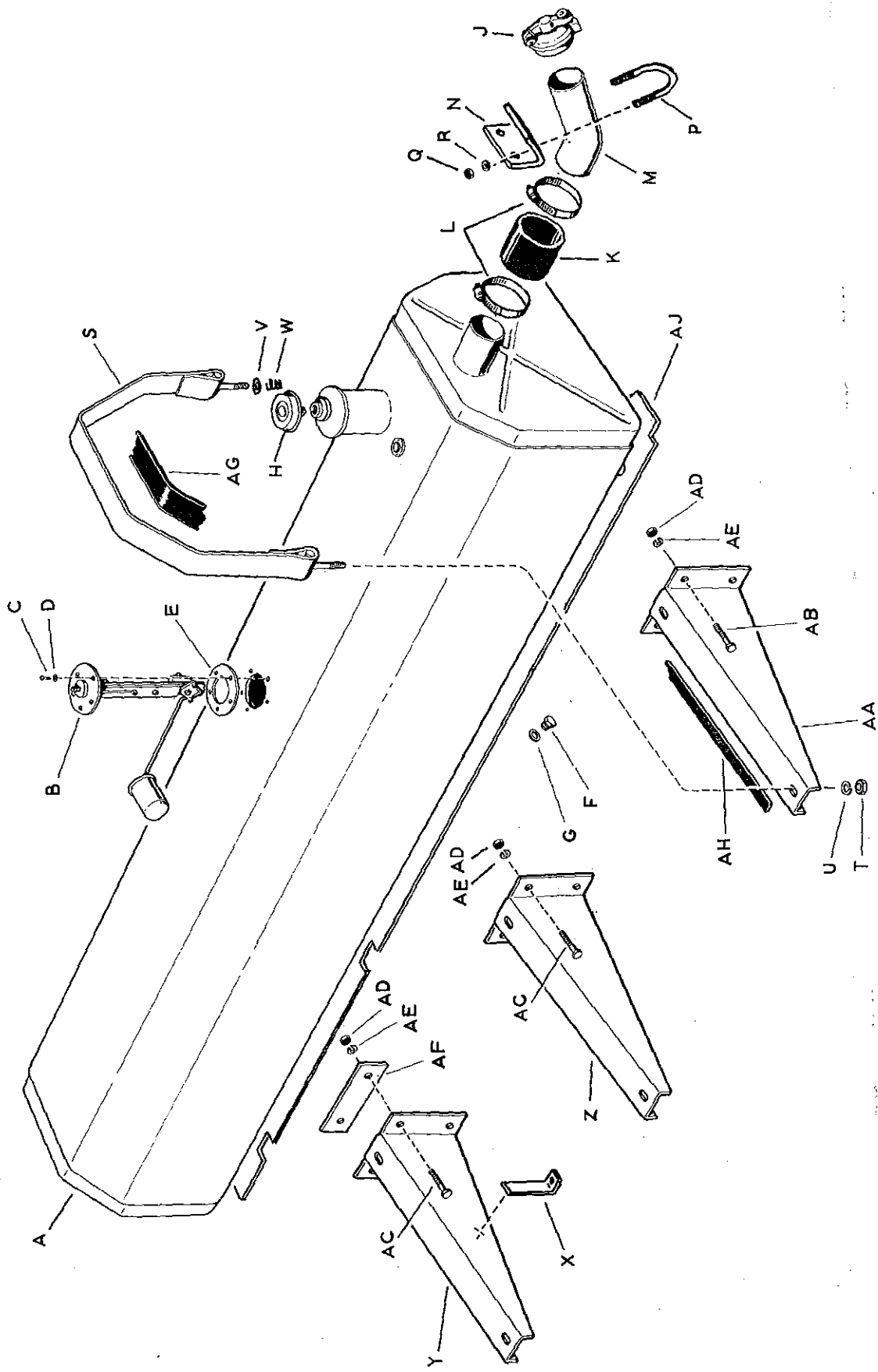


4248A 12/8/65 ejm-jd PAGE #2-1

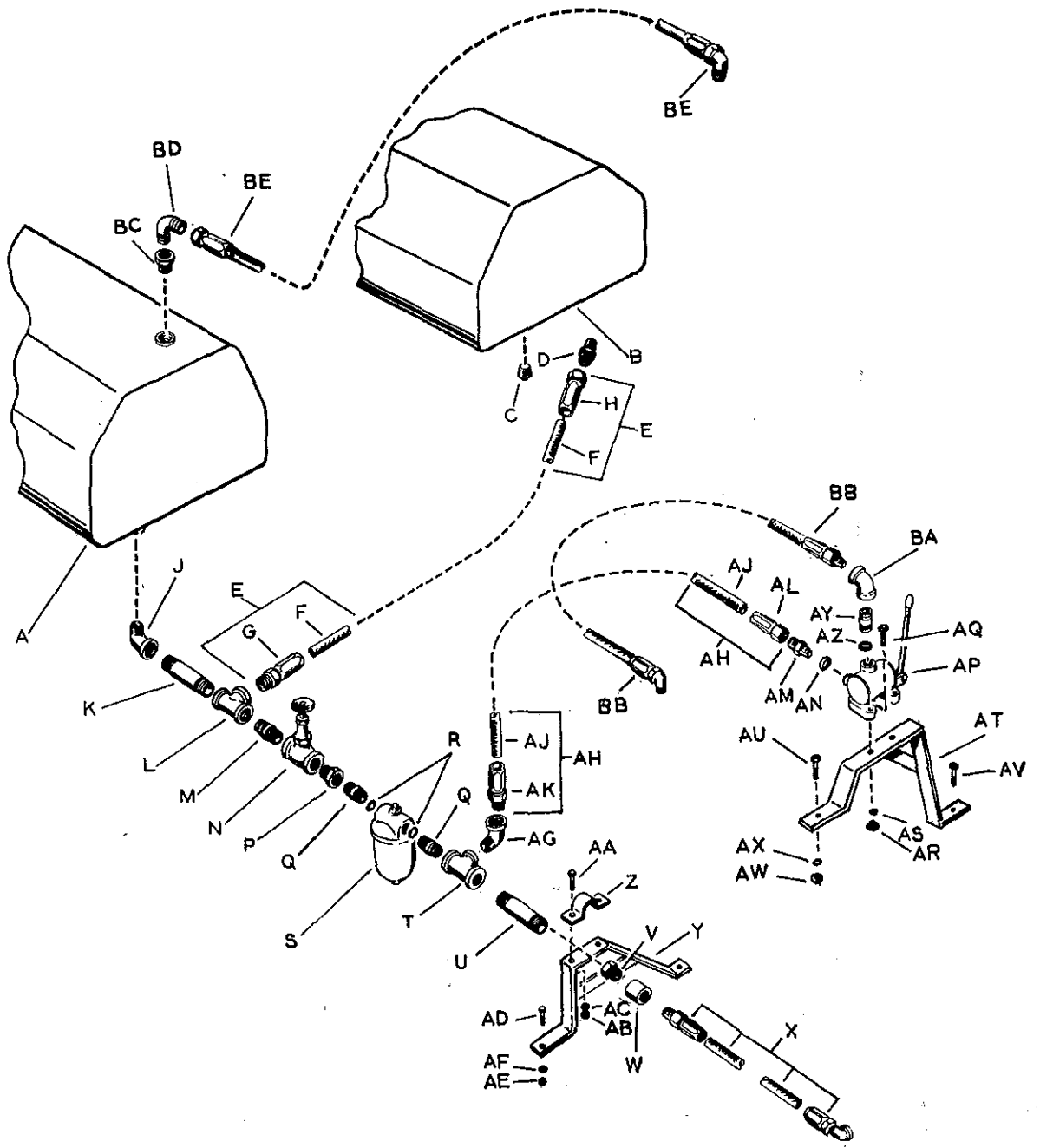
CHASSIS NUMBER must always be given with PART NUMBER when ordering.



FUEL TANK MOUNTING ARRANGEMENT



FUEL TANK MOUNTING ARRANGEMENT

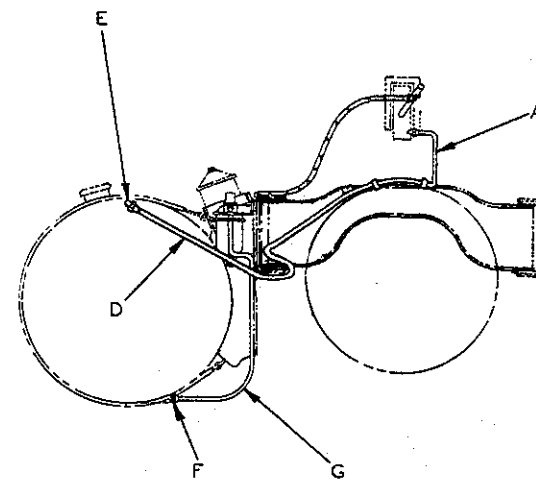
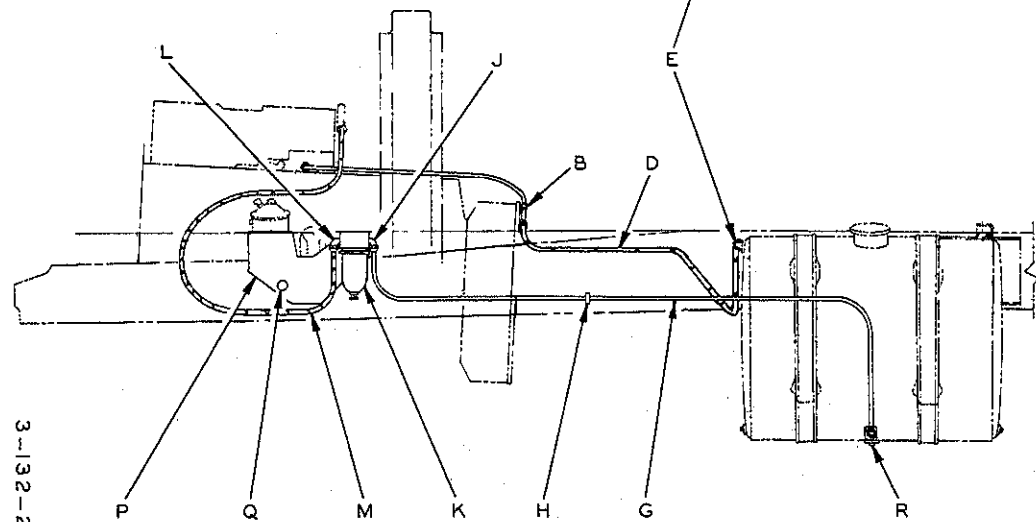
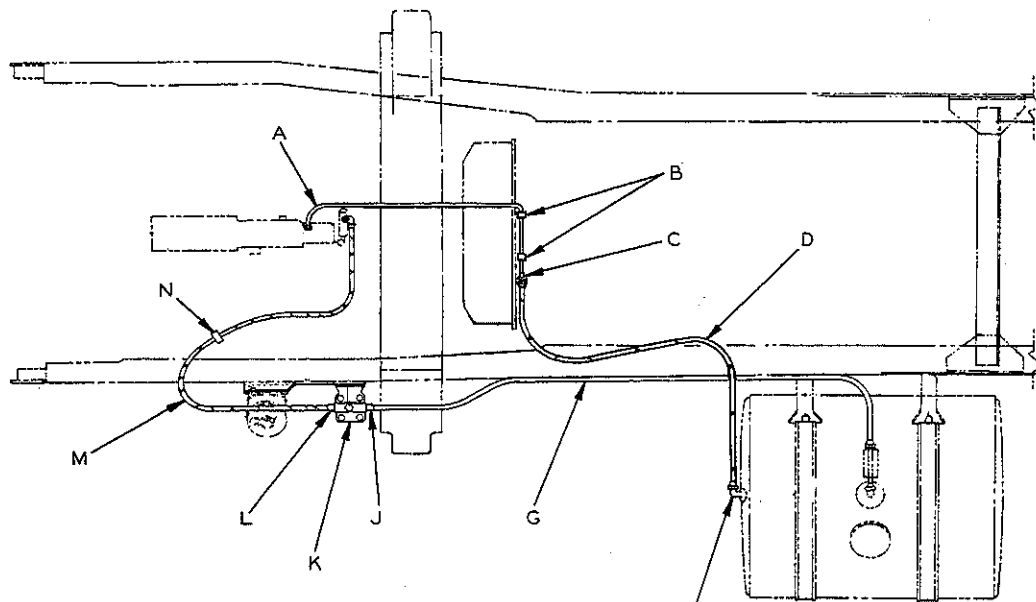


IK

FUEL PIPING ARRANGEMENT

3-132-234  
ISSUE 2





3-132-240

FUEL LINE ARRANGEMENT

Illustration #1-132-183.

KEY	PART NUMBER	DESCRIPTION	NO. REQ.
<u>SECTION 248A - IMBA 4554P1</u>			
A	2MB 4447P3	TANK, Fuel (Steel 51 Gal.) Includes:	1
B	16MFA 242	CAP, Fuel Tank	1
C	5MB 441P1	SUPPORT, Fuel Tank Front	1
D	5MB 441P1	SUPPORT, Fuel Tank Rear	1
Attaching Parts:			
E		SCREW, cap, 5/8-18 NF x 1-3/4 (1-1/2"thd.)(1AX 50)	2
F		SCREW, cap, 5/8-18 NF x 1-3/4 (1-1/2"thd.)(1AX 50)	2
G		NUT, hex. 5/8-18 NF (20AX 7)	4
H		WASHER, Lock, 5/8 I.D.(36AX 7)	4
J	37AX 382	WASHER, Flat (2" I.D.)	4
J-1	37AX 93	WASHER, Flat (1-1/4 I.D.)	4
K	8MB 279P2	STRAP, Fuel Tank	2
Attaching Parts:			
L	21AX 360	NUT, 5/8-18	4
M	37AX 171	WASHER, Flat	4
N	12AXA 109P51	ANTI-SQUEAK, 2-1/4 x 51" L. Fuel Tank Support	2
P	12AXA 101P14	ANTI-SQUEAK, 2" x 14" L. Fuel Tank Strap	2
<u>SECTION 248B - IMBA 4554P2</u>			
Same as IMBA 4554P1(Section 248A)Except			
A	2MB 4421P3	TANK, Fuel (Aluminum 51 Gal.) Includes:	1
B	16MFA 235	CAP, Fuel Tank	1
<u>SECTION 248C - IMBA 4554P3</u>			
Same as IMBA 4554P1(Section 248A)Except			
D	5MB 441P4	SUPPORT, Fuel Tank Rear	1
<u>SECTION 248D - IMBA 4554P4</u>			
Same as IMBA 4554P1(Section 248A)Except			
A	2MB 4421P3	TANK, Fuel (51 Gal. Aluminum) Includes:	1
B	16MFA 235	CAP, Fuel Tank	1
D	5MB 441P4	SUPPORT, Fuel Tank Rear	1
<u>SECTION 248E - IMBA 4554P5</u>			
Same as IMBA 4554P1(Section 248A)Except			
D	5MB 441P4	SUPPORT, Fuel Tank Rear	1
Attaching Parts:			
E		SCREW, cap, 5/8-18 NF x 2-1/4(1-1/2"thd.)(1AX 97)	2
<u>SECTION 248F - IMBA 4554P6</u>			
Same as IMBA 4554P1(Section 248A)Except			
A	2MB 4421P3	TANK, Fuel (Aluminum 51 Gal.) Includes:	1
B	16MFA 235	CAP ASSEMBLY, Fuel Tank	1
D	5MB 441P4	SUPPORT, Fuel Tank Rear	1
Attaching Parts:			
E		SCREW, cap, 5/8-18 NF x 2-1/4 (1-1/2"thd.)(1AX 97)	2
<u>SECTION 248G - IMBA 4554P7</u>			
Same as IMBA 4554P1(Section 248A)Except			
A	2MB 4448P1	TANK, Fuel (Steel 51 Gal.) Includes:	1
B	16MFA 219A	CAP ASSEMBLY, Fuel Tank	1
D	5MB 441P4	SUPPORT, Fuel Tank Rear	1
Attaching Parts:			
E		SCREW, cap, 5/8-18 NF x 2-1/4 (1-1/2"thd.)(1AX 97)	2

KEY	PART NUMBER	DESCRIPTION	NO. REQ.
<u>SECTION 248H - IMBA 4555P1</u>			
Same as IMBA 4554P1 (Section 248A) Except			
A	2MB 4421P3	TANK, Fuel (Aluminum 51 Gal.)	1
Includes:			
B	16MFA 235	CAP, Fuel Tank	1
E		SCREW, cap, 5/8-18 NF x 2-1/2 (1-1/2" thd.) (IAX 270)	4
F		SCREW, cap, 5/8-18 NF x 2-1/4 (1-1/2" thd.) (IAX 97)	2
<u>SECTION 248J - IMBA 4555P2</u>			
Same as IMBA 4554P1 (Section 248A) Except			
D	5MB 441P3	SUPPORT, Fuel Tank Rear	1
E		SCREW, cap, 5/8-18 NF x 2-1/2 (1-1/2" thd.) (IAX 270)	4
F		SCREW, cap, 5/8-18 NF x 2-1/4 (1-1/2" thd.) (IAX 97)	2
<u>SECTION 248K - IMBA 4555P3</u>			
Same as IMBA 4554P1 (Section 248A) Except			
D	5MB 441P2	SUPPORT, Fuel Tank Rear	1
E		SCREW, cap, 5/8-18 NF x 2-1/2 (1-1/2" thd.) (IAX 270)	4
F		SCREW, cap, 5/8-18 NF x 2-1/4 (1-1/2" thd.) (IAX 97)	2
<u>SECTION 248L - IMBA 4556P1</u>			
Same as IMBA 4554P1 (Section 248A) Except			
A	2MB 4447P3	TANK, Fuel (Steel 51 Gal.)	2
Includes:			
B	16MFA 242	CAP, Fuel Tank	2
C	5MB 441P1	SUPPORT, Fuel Tank Front	2
D	5MB 441P1	SUPPORT, Fuel Tank Rear	2
Attaching Parts:			
E		SCREW, cap, 5/8-18 NF x 1-3/4 (1-1/2" thd.) (IAX 50)	4
F		SCREW, cap, 5/8-18 NF x 1-3/4 (1-1/2" thd.) (IAX 50)	4
G		NUT, hex. 5/8-18 NF (20AX 7)	8
H		WASHER, Lock, 5/8 I.D. (36AX 7)	8
J	37AX 382	WASHER, Flat (2" I.D.)	8
J-1	37AX 93	WASHER, Flat (1-1/4 I.D.)	8
K	8MB 279P2	STRAP, Fuel Tank	4
Attaching Parts:			
L	21AX 360	NUT, 5/8-18	8
M	37AX 171	WASHER, Flat	8
N	12AXA 109P51	ANTI-SQUEAK, 2 x 20" L. Fuel Tank Support	4
P	12AXA 101P14	ANTI-SQUEAK, 2-1/4 x 47" L. Fuel Tank Strap	4
<u>SECTION 248M - IMBA 4556P2</u>			
Same as IMBA 4554P1 (Section 248A) Except			
A	2MB 4421P3	TANK, Fuel (Steel 51 Gal.)	2
Includes:			
B	16MFA 235	CAP, Fuel Tank	2
C	5MB 441P1	SUPPORT, Fuel Tank Front	2
D	5MB 441P1	SUPPORT, Fuel Tank Rear	2
Attaching Parts:			
E		SCREW, cap, 5/8-18 NF x 1-3/4 (1-1/2" thd.) (IAX 50)	4
F		SCREW, cap, 5/8-18 NF x 1-3/4 (1-1/2" thd.) (IAX 50)	4
G		NUT, hex. 5/8-18 NF (20AX 7)	8
H		WASHER, Lock, 5/8 I.D. (36AX 7)	8
J	37AX 382	WASHER, Flat (2" I.D.)	8
J-1	37AX 93	WASHER, Flat (1-1/4 I.D.)	8
K	8MB 279P2	STRAP, Fuel Tank	4
Attaching Parts:			
L	21AX 360	NUT, 5/8-18	8
M	37AX 171	WASHER, Flat	8
N	12AXA 109P51	ANTI-SQUEAK, 2 x 20" L. Fuel Tank Support	4
P	12AXA 101P14	ANTI-SQUEAK, 2-1/4 x 47" L. Fuel Tank Strap	4

KEY	PART NUMBER	DESCRIPTION	NO. REQ.
<u>SECTION 248U - IMBA 4557P2</u>			
Same as IMBA 4554P1(Section 248A)Except			
A	2MB 4447P1	TANK, Fuel (Steel 51 Gal.)	2
Includes:			
B	16MFA 242	CAP, Fuel Tank	2
C	5MB 441P1	SUPPORT, Fuel Tank Front	2
D	5MB 441P3	SUPPORT, Fuel Tank Rear	2
Attaching Parts:			
E		SCREW, cap, 5/8-18 NF x 2-1/2 (1-1/2"thd.)(1AX 270)	8
F		SCREW, cap, 5/8-18 NF x 2-1/4 (1-1/2"thd.)(1AX 97)	4
G		NUT, hex. 5/8-18 NF (20AX 7)	8
H		WASHER, Lock, 5/8 I.D.(36AX 7)	8
J	37AX 382	WASHER, Flat (2" I.D.)	8
J-1	37AX 93	WASHER, Flat (1-1/4 I.D.)	8
K	8MB 279P2	STRAP, Fuel Tank	4
Attaching Parts:			
L	21AX 360	NUT, 5/8-18	8
M	37AX 171	WASHER, Flat	8
N	12AXA 109P51	ANTI-SQUEAK, 2 x 20"L. Fuel Tank Support	4
P	12AXA 101P14	ANTI-SQUEAK, 2-1/4 x 47"L. Fuel Tank Strap	4
<u>SECTION 248V - IMBA 4557P3</u>			
Same as IMBA 4554P1(Section 248A)Except			
A	2MB 4447P1	TANK, Fuel (Steel 51 Gal.)	2
Includes:			
B	16MFA 242	CAP, Fuel Tank	2
C	5MB 441P1	SUPPORT, Fuel Tank Front	2
D	5MB 441P2	SUPPORT, Fuel Tank Rear	2
Attaching Parts:			
E		SCREW, cap, 5/8-18 NF x 2-1/2 (1-1/2"thd.)(1AX 270)	8
F		SCREW, cap, 5/8-18 NF x 2-1/4 (1-1/2"thd.)(1AX 97)	4
G		NUT, hex. 5/8-18 NF (20AX 7)	8
H		WASHER, Lock, 5/8 I.D.(36AX 7)	8
J	37AX 382	WASHER, Flat (2" I.D.)	8
J-1	37AX 93	WASHER, Flat (1-1/4 I.D.)	8
K	8MB 279P2	STRAP, Fuel Tank	4
Attaching Parts:			
L	21AX 360	NUT, 5/8-18	8
M	37AX 171	WASHER, Flat	8
N	12AXA 109P51	ANTI-SQUEAK, 2 x 20"L. Fuel Tank Support	4
P	12AXA 101P14	ANTI-SQUEAK, 2-1/4 x 47"L. Fuel Tank Strap	4
<u>SECTION 248W - IMBA 4604P1</u>			
Same as IMBA 4554P1(Section 248A)Except			
A	2MB 4421P2	TANK, Fuel (70 Gal.-Aluminum)L.H.	1
B	16MFA 235	CAP, Fuel Tank Filler	1
D	5MB 441P4	SUPPORT, Fuel Tank Rear	1
E		SCREW, cap, 5/8-18 NF x 2-1/4 (1-1/2"thd.)(1AX 97)	2
F		SCREW, cap, 5/8-18 NF x 1-1/2 (Full thd.)(1AX 231)	2
<u>SECTION 248X - IMBA 4597P1</u>			
Same as IMBA 4554P1(Section 248A)Except			
D	5MB 441P4	SUPPORT, Fuel Tank (Rear)	1
F		SCREW, cap, 5/8-18 NF x 2-1/2 (1-1/2"thd.)(1AX 270)	2
<u>SECTION 248Y - IMBA 4597P2</u>			
Same as IMBA 4554P1(Section 248A)Except			
C	5MB 441P4	SUPPORT, Fuel Tank (Front)	1
D	5MB 441P4	SUPPORT, Fuel Tank (Rear)	1
F		SCREW, cap, 5/8-18 NF x 2-1/2 (1-1/2"thd.)(1AX 270)	2

KEY	PART NUMBER	DESCRIPTION	NO. REQ.
<u>SECTION 248Z - IMBA 4597P3</u>			
Same as IMBA 4554P1(Section 248A)Except			
D	5MB 441P4	SUPPORT, Fuel Tank (Rear)	1
F		SCREW, cap, 5/8-18 NF x 2-1/2 (1-1/2"thd.)(1AX 270)	2
<u>SECTION 248AA - IMBA 1150</u>			
Same as IMBA 4554P1(Section 248A)Except			
A	2MB 4496P1	TANK, Fuel (Aluminum, 51 Gal.)	1
B	16MFA 235	CAP, Fuel Tank Filler	1
D	5MB 441P4	SUPPORT, Fuel Tank Rear	1
E		SCREW, cap, 5/8-18 NF x 2-1/4 (1-1/2"thd.)(1AX 97)	2
<u>SECTION 248AB - IMBA 1129</u>			
Same as IMBA 4554P1(Section 248A)Except			
A	2MB 4421P3	TANK, Fuel (Steel 51 Gal.)	2
Includes:			
B	16MFA 235	CAP, Fuel Tank	2
C	5MB 441P1	SUPPORT, Fuel Tank Front	2
C-1	71RU 12196P1	SPACER, Fuel Tank Bracket (Front)	2
D	5MB 441P1	SUPPORT, Fuel Tank Rear	2
D-1	71RU 12196P2	SPACER, Fuel Tank Bracket (Rear)	2
Attaching Parts:			
E		SCREW, cap, 5/8-18 NF x 1-3/4 (1-1/2"thd.)(1AX 50)	4
F		SCREW, cap, 5/8-18 NF x 1-3/4 (1-1/2"thd.)(1AX 50)	4
G		NUT, hex. 5/8-18 NF (20AX 7)	8
H		WASHER, Lock, 5/8 I.D.(36AX 7)	8
J	37AX 382	WASHER, Flat (2" I.D.)	8
J-1	37AX 93	WASHER, Flat (1-1/4 I.D.)	8
K	8MB 279P2	STRAP, Fuel Tank	4
Attaching Parts:			
L	21AX 360	NUT, 5/8-18	8
M	37AX 171	WASHER, Flat	8
N	12AXA 109P51	ANTI-SQUEAK, 2 x 20"L. Fuel Tank Support	4
P	12AXA 101P14	ANTI-SQUEAK, 2-1/4 x 47"L. Fuel Tank Strap	4
<u>SECTION 248AC - IMBA 1135</u>			
Same as IMBA 4554P1(Section 248A)Except			
A	2MB 4469P1	TANK, Fuel (Steel 51 Gal.)	2
Includes:			
B	16MFA 235	CAP, Fuel Tank	2
C	5MB 441P1	SUPPORT, Fuel Tank Front	2
D	5MB 441P4	SUPPORT, Fuel Tank Rear	2
Attaching Parts:			
E		SCREW, cap, 5/8-18 NF x 2-1/2 (1-1/2"thd.)(1AX 270)	4
F		SCREW, cap, 5/8-18 NF x 1-3/4 (1-1/2"thd.)(1AX 50)	4
G		NUT, hex. 5/8-18 NF (20AX 7)	8
H		WASHER, Lock, 5/8 I.D.(36AX 7)	8
J	37AX 382	WASHER, Flat (2" I.D.)	8
J-1	37AX 93	WASHER, Flat (1-1/4 I.D.)	8
K	8MB 279P2	STRAP, Fuel Tank	4
Attaching Parts:			
L	21AX 360	NUT, 5/8-18	8
M	37AX 171	WASHER, Flat	8
N	12AXA 109P51	ANTI-SQUEAK, 2 x 20"L. Fuel Tank Support	4
P	12AXA 101P14	ANTI-SQUEAK, 2-1/4 x 47"L. Fuel Tank Strap	4
<u>SECTION 248AD - IMBA 1139</u>			
Same as IMBA 4554P1(Section 248A)Except			
A	2MB 4447P1	TANK, Fuel (Steel 51 Gal.)	2
Includes:			
B	16MFA 242	CAP, Fuel Tank	2



## TITLE FUEL TANK MOUNTING ARRANGEMENT

Illustration #1-132-216.

KEY	PART NUMBER	DESCRIPTION	NO. REQ.
<u>SECTION 265A - 1MBA 5305</u>			
A	2MB 5105	TANK ASSEMBLY, Fuel (R.H.)	1
A	2MB 5106	TANK ASSEMBLY, Fuel (L.H.)	1
Each Includes:			
B	16MB 48P19	GAUGE, Fuel Tank Unit (R.H. Tank Only)	1
-	18MB 1111	FLANGE, Fuel Tank (L.H. Tank Only)	1
Attaching Parts:			
C		SCREW, machine rd. Phillips hd. #10-24 NC x 3/4 (130AX 225)	5
D		WASHER, Lock, #10 I.D. (36AX 14)	5
E	60AX 25	GASKET	1
F	49AX 106	PLUG, Fuel Tank Drain	1
Attaching Parts:			
G	39AX 23	WASHER	1
H	2MD 144	BREATHER, Fuel Tank	1
J	16MF 29001	CAP, Fuel Tank Filler	2
K	160AX 345	HOSE, Fuel Tank Filler Spout	2
L	83AX 53	CLAMP, Fuel Tank Filler Spout Hose	4
M	21MB 2148	SPOUT COMPLETE, Fuel Tank Filler	2
N	93MF 17	BRACKET, Filler Spout Mounting R.H.	1
-	93MF 16	BRACKET, Filler Spout Mounting L.H.	1
Attaching Parts:			
P	120AX 140	"U" BOLT, (3/8-24 NF)	2
Q	21AX 313	NUT (3/8-24 NF)	4
R	37AX 472	WASHER, Plain	4
S	8MB 279P5	STRAP, Fuel Tank Mounting	6
Attaching Parts:			
T		NUT, hex. 5/8-18 NF (20AX 7)	12
U		WASHER, Lock, 5/8 I.D. (36AX 7)	6
V	37AX 172	WASHER, Plain	6
W	58AX 64	SPRING	6
X	72RU 11437	SUPPORT, Fuel Tank (R.H.)	1
Y	5MB 3249P1	SUPPORT, Fuel Tank	2
Z	5MB 3249P2	SUPPORT, Fuel Tank	2
AA	5MB 3255	SUPPORT, Fuel Tank	2
Attaching Parts:			
AB		SCREW, cap, 1/2-20 NF x 1-3/4 (1-1/4" thd.) (1AX 108)	8
AC		SCREW, cap, 1/2-20 NF x 1-1/2 (1-1/4" thd.) (1AX 60)	16
AD		NUT, hex. 1/2-20 NF (20AX 5)	24
AE		WASHER, Lock, 1/2 I.D. (36AX 5)	24
AF	71RU 12211	SPACER	2
AG	12AX 109P48	ANTI-SQUEAK, Fuel Tank Strap	AR
AH	306AX P25	ANTI-SQUEAK, Fuel Tank Bracket	AR
AJ	117QM 245	SHIELD, Splash (Fuel Tank)	2

Illustration #3-132-240.

KEY	PART NUMBER	DESCRIPTION	NO. REQ.
<u>SECTION 158A - 3MBA 4333AP1</u>			
A	343AX 36	TUBE, Return Line (At Pump)	1
B	83AX 247	CLAMP, Return Line Tube	2
C	63AX 333	UNION, Return Tube to Return Hose	1
D	36RUA 347P36	HOSE ASSEMBLY, Return Line (At Fuel Tank)	1
		Use Units as follows:	
D-1		HOSE, Low pressure 3/8 I.D. x 19/32 O.D. x 35-9/32" L. (891AXA)	1
D-2	63AX 3024	END, Hose	2
E	63AX 1214	ELBOW, 90°, Return Hose (At Tank)	1
F	63AX 1740	CONNECTOR ASSEMBLY, Fuel Feed Line (At Tank)	1
G		TUBING, 1/2 O.D. Copper x 90" L. Feed Line (Tank to Filter)	
		(100AXA 68)	1
H	83AX 641	CLAMP, Feed Tube Mounting	2
		Attaching Parts:	
H-1		SCREW, machine rd. Phillips hd. 1/4-28 NF x 1 (130AX 833)	2
H-2		NUT, hex. 1/4-28 NF (20AX 1)	2
H-3		WASHER, Lock, 1/4 I.D. (36AX 1)	2
H-4	37AX 471	WASHER, Flat	2
J	63AX 372	ELBOW, 90° Feed Tube (At Filter Inlet)	1
K	483GB 332	FILTER, Primary Fuel	1
		(For Components, see back of Group)	
		Attaching Parts:	
K-1		SCREW, cap, 3/8-24 NF x 1 (Full thd.) (1AX 35)	2
K-2		NUT, hex. 3/8-24 NF (20AX 3)	2
K-3		WASHER, Lock, 3/8 I.D. (36AX 3)	2
L	63AX 1214	ELBOW, 90°, Filter Outlet	1
M	36RUA 310P65	HOSE ASSEMBLY, Fuel Feed (Filter to Transfer Pump)	1
		Use Units as follows:	
M-1		HOSE, medium high pressure 5/16 I.D. x 41/64 O.D. x 63-35/64" L. (899AXA)	1
M-2	63AX 1719	END, Hose	2
N	83AX 452	CLAMP, Filter Outlet Hose Mounting	2
N-1	299AX 5	ANTI-SQUEAK, Hose Mounting Clamp	1
P	136GB 318	BRACKET, Fuel Oil Filter	1
		Attaching Parts:	
Q		SCREW, cap, 5/16-24 NF x 7/8 (Full thd.) (1AX 19)	4
Q-1		NUT, hex. 5/16-24 NF (20AX 2)	4
Q-2		WASHER, Lock 5/16 I.D. (36AX 22)	4
Q-3	37AX 68	WASHER, Plain	1
R	63AX 122	PLUG, Fuel Tank (Bottom)	1
<u>SECTION 158B - 3MBA 4333AP2</u>			
		Same as 3MBA 4333AP1 (Section 158A) Except	
D	36RUA 347P44	HOSE ASSEMBLY, Return Line (At Fuel Tank)	1
D-1		HOSE, low pressure 3/8 I.D. x 19/32 O.D. x 42-7/16" L. (891AXA)	1
G		TUBING, 1/2 O.D. Copper x 98" L. Feed Line (Tank to Filter)	
		(100AXA 68)	1
<u>SECTION 158C - 3MBA 4505P1</u>			
		Same as 3MBA 4333AP1 (Section 158A) Except	
G		TUBING, Steel, 1/2" O.D., Feed Line (90" Req'd) (398AXA)	1
G-1		NUT, 1/2 O.D. Feed Tube (63AX 164)	2
<u>SECTION 158D - 3MBA 4505P2</u>			
		Same as 3MBA 4333AP1 (Section 158A) Except	
D	36RUA 347P44	HOSE ASSY., Return Line	1
D-1		HOSE, Low Pressure 3/8 I.D. x 19/32 O.D. x 42 7/16" L. (891AXA)	1
G		TUBING, Steel, 1/2 O.D., Feed Line (98" Req'd.) (398AXA)	1
G-1		NUT, 1/2 O.D., Feed Tube (63AX 164)	2



TITLE FUEL PIPING ARRANGEMENT

ILLUSTRATION #3-132-234.

KEY	PART NUMBER	DESCRIPTION	NO. REQ.
<u>SECTION 193A- 3MBA 522</u>			
A	---	TANK, Fuel RH	1
B	---	TANK, Fuel LH (See Group 2)	1
C	63AX 87	PLUG, RH Fuel Tank	1
D	63AX 3132	CONNECTOR ASSY, Fuel Tank Outlet Line Hose Assy	1
E	36RU 335P79	HOSE ASSY, RH Fuel Tank Outlet	1
F	904AXA	Use Units as Follows:	1
G	63AX 1730	HOSE, 77-1/8" Required	1
H	63AX 2228	END, Hose (Male)	1
J	63AX 962	END, Hose (Female)	1
K	63AX 3248	ELBOW, Fuel Tank Outlet Line	2
L	63AX 34	NIPPLE, LH Fuel Tank Outlet Line	1
M	63AX 1501	TEE, Fuel Tank Outlet Line	1
N	30RS 1371	NIPPLE, Fuel Tank Outlet Line Tee	1
P	63AX 1507	VALVE, Fuel Line Gate	1
Q	92RU 261P10	BUSHING, Reducer, Gate Valve	1
R	60AX 38	UNION, Gate Valve & Oil Strainer	2
S	---	GASKET, Gate Valve & Oil Strainer Union	2
T	63AX 117	STRAINER, Fuel Line Oil(Furnished with Engine)	1
U	63AX 759	TEE, Priming Pump Inlet Line (At Strainer)	1
V	63AX 1507	NIPPLE, Fuel Inlet Line	1
W	63AX 915	BUSHING, Reducer, Fuel Inlet Line	1
X	66RU 312P14	COUPLING FUEL, Fuel Inlet Line Bushing	1
Y	73RU 21699	HOSE ASSY, Fuel Inlet Line	1
Z	48RU 1687	BRACKET ASSY, Fuel Line Support	1
AA	1AX 24	Includes:	1
AB	21AX 313	CLAMP	1
AC	37AX 472	Attaching Parts:	2
AD	1AX 24	SCREW, 3/8-24 NF x 1-1/4	2
AE	21AX 313	NUT, (3/8-24 NF)	2
AF	37AX 472	WASHER, Plain	2
AG	63AX 962	Attaching Parts:	1
AH	36RU 329P42	SCREW, 3/8-24 NF x 1-1/4	1
AJ	903AXA	NUT, (3/8-24 NF)	1
AK	63AX 1729	WASHER, Plain	1
AL	63AX 2227	ELBOW, Priming Pump Inlet Line	1
AM	92RU 261P10	HOSE ASSY, Priming Pump Inlet	1
AN	60AX 38	Use Units as follows:	1
AP	---	HOSE, 7/8 ID x 1-1/4 OD x 40-5/16" Lg	1
AQ	1AX 13	END, Hose (Male)	4
AR	21AX 313	END, Hose (Female)	4
AS	37AX 472	UNION, Priming Pump Inlet Line	4
AT	40RJ 271	GASKET, Priming Pump Inlet Line Union	2
AU	1AX 24	PUMP, Priming (Furnished with Engine)	2
AV	1AX 13	Attaching Parts:	2
AW	21AX 313	SCREW, 3/8-24 NF x 1-1/2	2
AX	37AX 472	NUT, (3/8-24 NF)	4
AY	92RU 261P10	WASHER, Plain	4
AZ	60AX 38	BRACKET ASSY, Priming Pump Mounting	1
BA	63AX 1557	Attaching Parts:	1
BB	66RU 312P1	SCREW, 3/8-24 NF x 1-1/4	1
BC	63AX 393	SCREW, 3/8-24 NF x 1-1/2	1
BD	63AX 1774	NUT, (3/8-24 NF)	1
BE	66RU 312P6	WASHER, Plain	1
		UNION, Priming Pump Outlet Line (At Pump)	1
		GASKET, Priming Pump Outlet Line (At Pump)	1
		ELBOW, Priming Pump Outlet Line	1
		HOSE ASSY, Priming Pump Outlet Line	1
		BUSHING, Reducer Fuel Return Line (At Tank)	1
		CONNECTOR ASSY, Fuel Return Line (At Tank)	1
		HOSE ASSY, Fuel Return Line	1

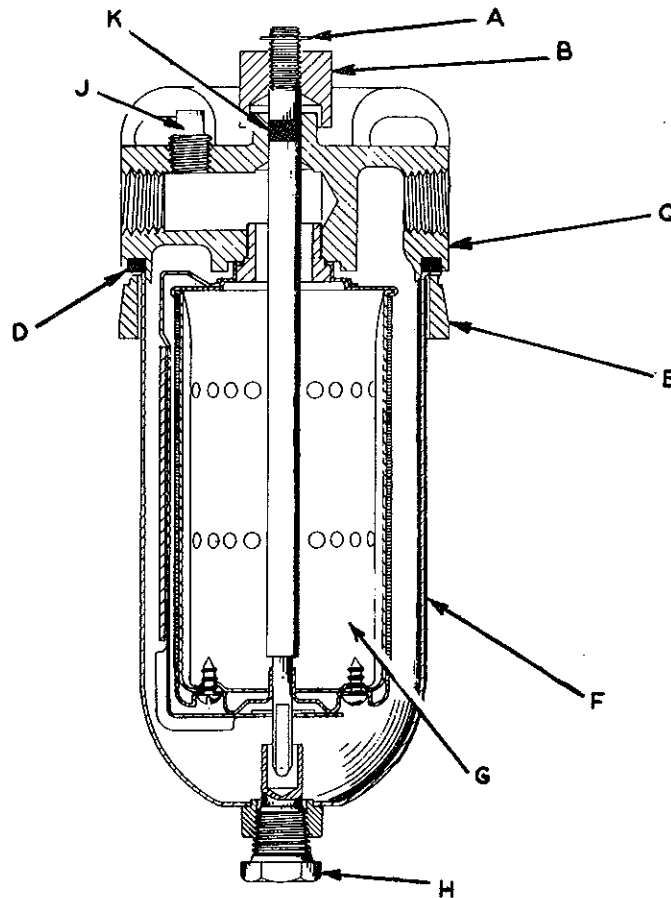


MACK CHASSIS NUMBER must always be given with PART NUMBER when ordering.

## COMPONENT PARTS

483GB 332  
FUEL OIL FILTER

483-72-13



KEY	PART NUMBER	DESCRIPTION	REQ. QTY.
A	6432 6663509	RING, Retaining	1
B	6432 6663508	NUT	1
C	6432 6663504	HEAD	1
D	123SB 18	GASKET, Case	1
E	341SBA 16	RING ASSEMBLY, Clamping	1
F	6432 6663511	CASE ASSEMBLY	1
G	6432 6663505	ELEMENT & KNIFE ASSEMBLY	1
H	6432 6663507	RING, Locating	1
J	6432 6663510	"O" RING	2
K		PLUG, sq. hd. iron 1/8 NPT (63AX 3)	1

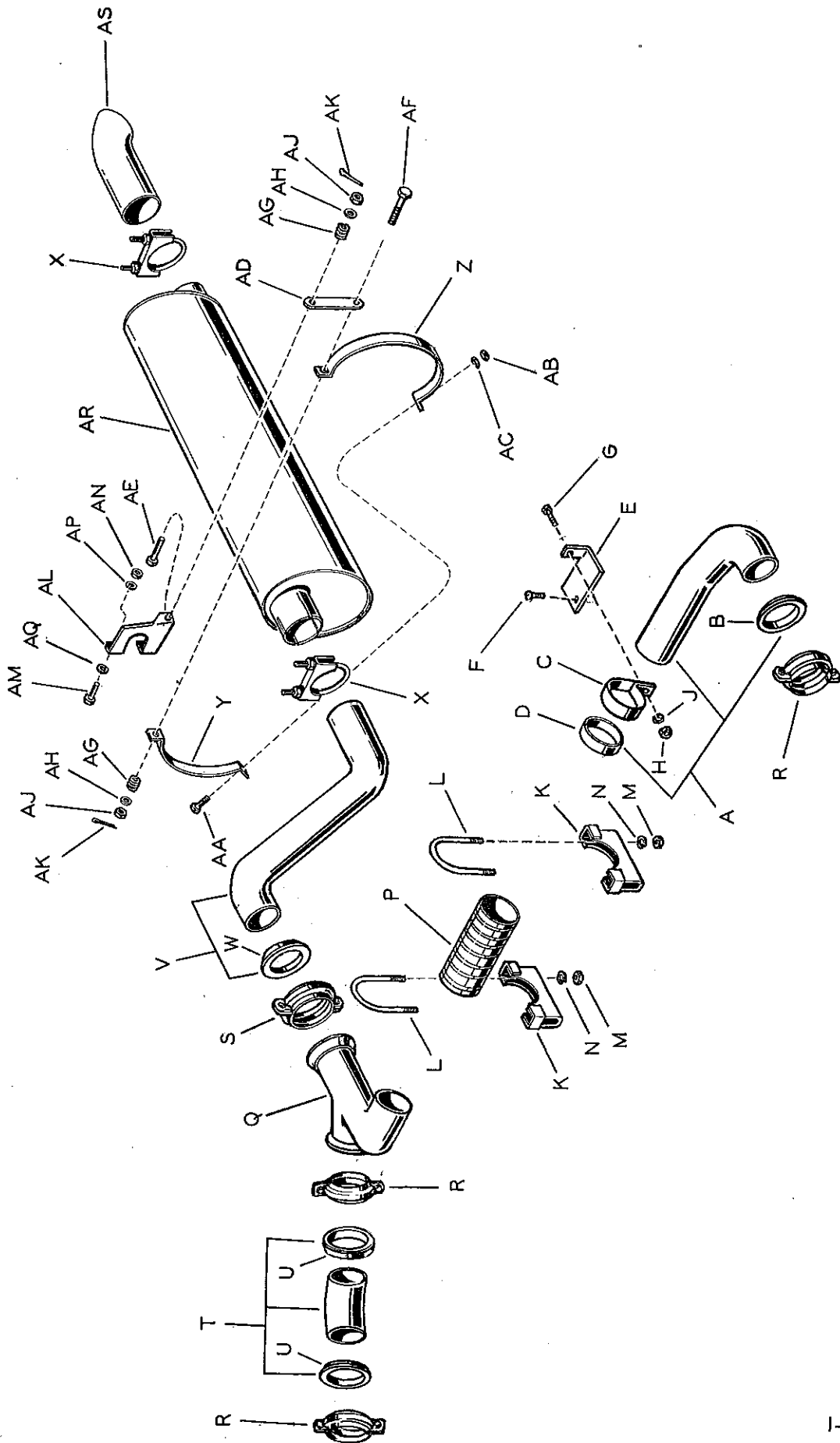
# *Mack* PARTS BOOK

3

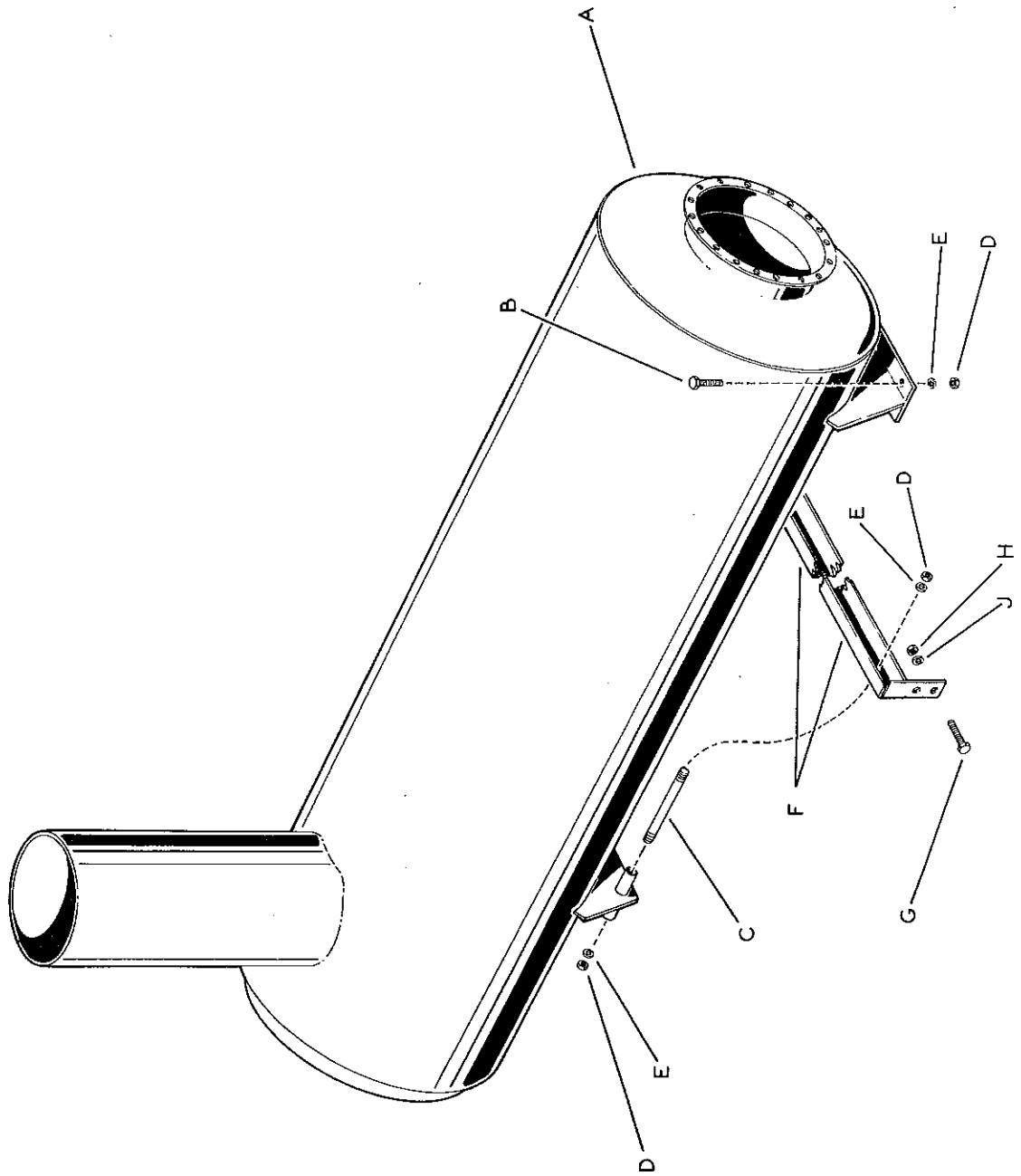
PAGE



CHASSIS NUMBER *must* always be given with PART NUMBER when ordering.



EXHAUST ARRANGEMENT



MUFFLER MOUNTING ARRANGEMENT

Illustration #1-135-350.

KEY	PART NUMBER	DESCRIPTION	NO. REQ.
<u>SECTION 309A - IMEA 4708</u>			
A	2ME 234	MUFFLER, Exhaust	1
B		Attaching Parts:	
C	43RU 1537	SCREW, cap, 3/4-16 NF x 1-3/4 (Full thd.)(1AX 83)	4
D	21AX 440	STUD (3/4-16 NF)	3
E	37AX 476	NUT (3/4-16 NF)	10
F	9QL 2948	WASHER, Plain	10
		CROSSMEMBER, Exhaust Muffler	1
G		Attaching Parts:	
H	21AX 440	SCREW, cap, 3/4-16 NF x 1-3/4 (Full thd.)(1AX 83)	4
J	37AX 476	NUT (3/4-16 NF)	4
		WASHER, Plain	4
J-1	1RU 2838	ANGLE, Muffler Mounting R.H.	1
J-2	1RU 2839	ANGLE, Muffler Mounting L.H.	1

Illustration #1-135-315.

KEY	PART NUMBER	DESCRIPTION	NO. REQ.
<u>SECTION 316A - IMEA 5624</u>			
A	4ME 31110	ELBOW COMPLETE, Exhaust Front L.H. Includes:	1
B	90RU 286P2	ADAPTER	1
C	48RU 1535	CLAMP, Exhaust Elbow	1
D	35AX 1125	SPACER, Exhaust Elbow	1
E	72RU 11294	SUPPORT, Exhaust Pipe Clamp	1
F		Attaching Parts:	
G		SCREW, cap, 1/4-20 NC x 3/4 (Full thd.) (4AX 2)	2
H		SCREW, cap, 3/8-24 NF x 1-1/4 (1" thd.) (1AX 24)	1
J		NUT, hex. 3/8-24 NF (20AX 3)	1
K	48RU 218P5	WASHER, Lock, 3/8 I.D. (36AX 3)	1
L		CLAMP, Exhaust Pipe	2
M	120AX 137	Attaching Parts:	
N	22AX 21	"U" BOLT (3/8-16 NC)	2
P		NUT (3/8-16 NC)	4
Q	4ME 2796P6	WASHER, Lock, 3/8 I.D. (36AX 3)	4
R	4ME 31108	PIPE, Exhaust	1
S	48RU 2140P1	FITTING, Exhaust Manifold "Y"	1
T	48RUA 297	CLAMP, Exhaust Pipe	3
U	4ME 2966	CLAMP ASSEMBLY, Exhaust Pipe	1
V		ELBOW COMPLETE, Exhaust Front R.H. Includes:	1
W	90RU 286P2	ADAPTER	2
W-1	4ME 31258	PIPE COMPLETE, Exhaust Includes:	1
W-2	90RU 286P1	ADAPTER	1
W-3	8ME 1491	BRACKET, Exhaust Pipe	1
W-4		Attaching Parts:	
X		SCREW, cap, 7/16-20 NF x 1 (Full thd.) (1AX 161)	2
Y		WASHER, Lock, 7/16 I.D. (36AX 4)	2
Z		WASHER, Plain	2
AA		CLAMP, Exhaust Muffler	2
AB		CLAMP, Muffler (Short)	2
AC		CLAMP, Muffler (Long)	2
AD		Attaching Parts:	
AD-1	71RU 39P24	SCREW, cap, 1/2-20 NF x 1-1/2 (1-1/4" thd.) (1AX 60)	2
AE	71RU 39P43	NUT, hex. 1/2-20 NF (20AX 5)	2
AF		WASHER, Lock, 1/2 I.D. (36AX 5)	2
AG		HANGER, Muffler (Front)	1
AH		HANGER, Muffler (Rear)	1
AJ		Attaching Parts:	
AK		SCREW, cap, w/cotter hole 1/2-20 NF x 2-1/4 (1-1/4" thd.) (2AX 196)	2
AL		SCREW, cap, w/cotter hole 1/2-20 NF x 2-3/4 (1-1/4" thd.) (2AX 45)	2
AM		SPRING	4
AN		WASHER	4
AP		NUT, Castle 1/2-20 NF (19AX 5)	4
AQ		COTTER PIN, stl. 3/32 x 1 (29AX 3)	4
AQ-1	8ME 2179	BRACKET, Muffler Hanger (Front)	1
AQ-2		Attaching Parts:	
AQ-3		SCREW, cap, 5/8-18 NF x 1-1/2 (Full thd.) (1AX 231)	2
AQ-4		NUT, hex. 5/8-18 NF (20AX 7)	2
AR		WASHER, Lock, 5/8 I.D. (36AX 7)	2
AS		WASHER, Flat	2
	37AX 171	BRACKET, Muffler Hanger (Rear)	1
	8ME 1490	Attaching Parts:	
		SCREW, cap, 1/2-20 NF x 1-1/2 (1-1/4" thd.) (1AX 60)	2
		NUT, hex. 1/2-20 NF (20AX 5)	2
		WASHER, Lock, 1/2 I.D. (36AX 5)	2
	2ME 337AP3	MUFFLER, Exhaust	1
	4ME 2954	PIPE, Exhaust Tail	1

# *Mack* PARTS BOOK

## INDEX

### GROUP #4 - COOLING

#### COMPONENTS

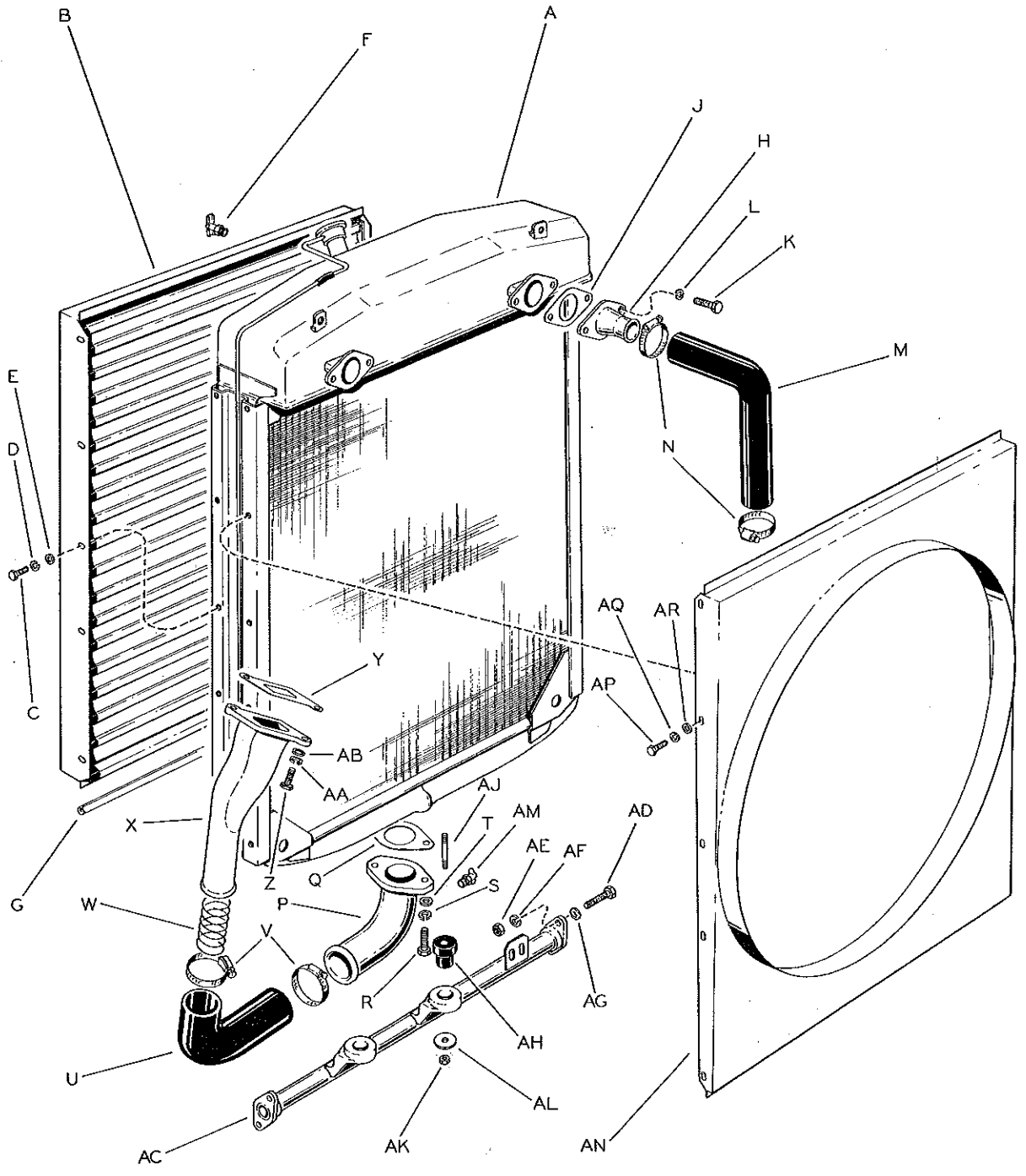
2MG 446  
7MG 215BP5  
35MG 13AP1  
30RS 1370

4



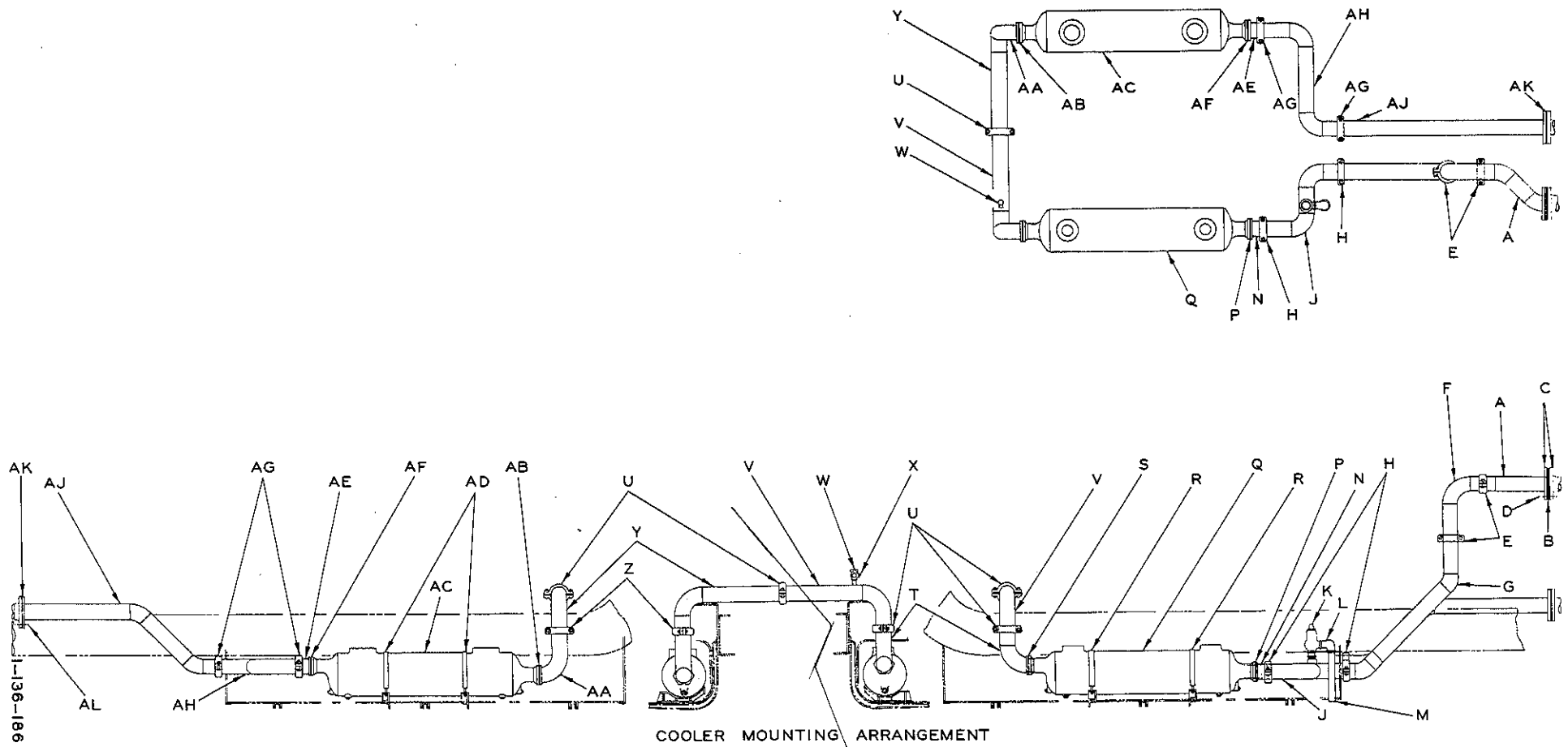
4248A 12/8/65 ejm-jd PAGE #4-1

CHASSIS NUMBER must always be given with PART NUMBER when ordering.

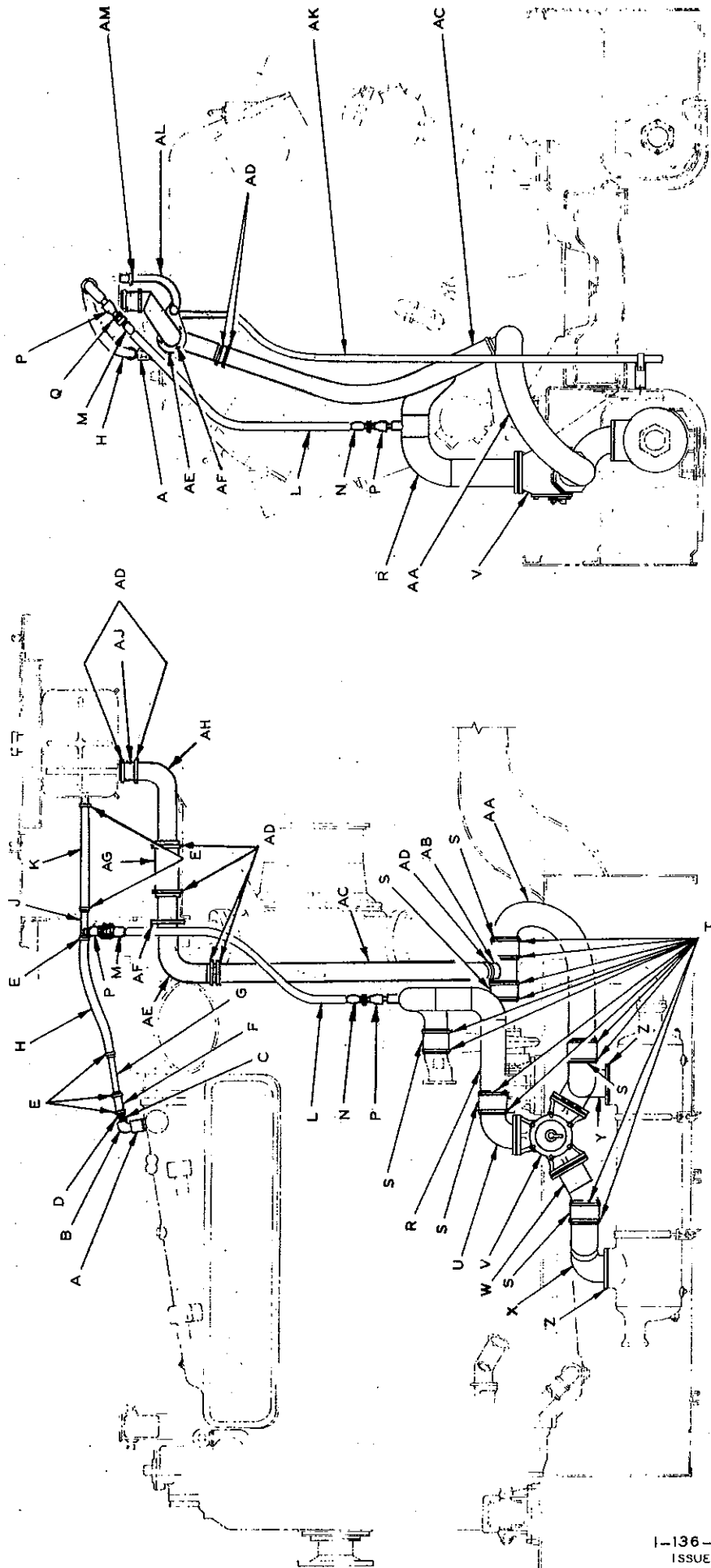


RADIATOR MOUNTING ARRANGEMENT

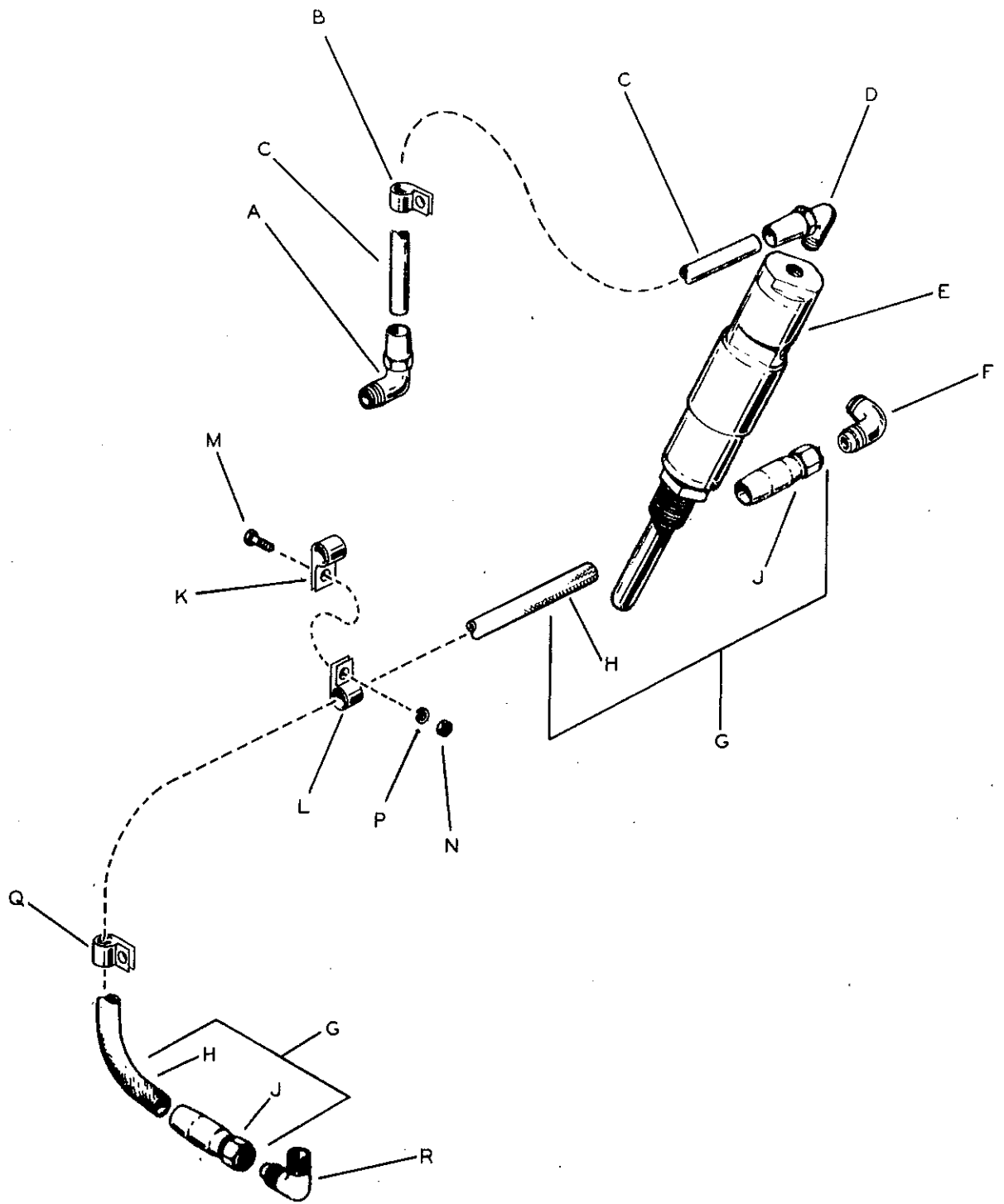




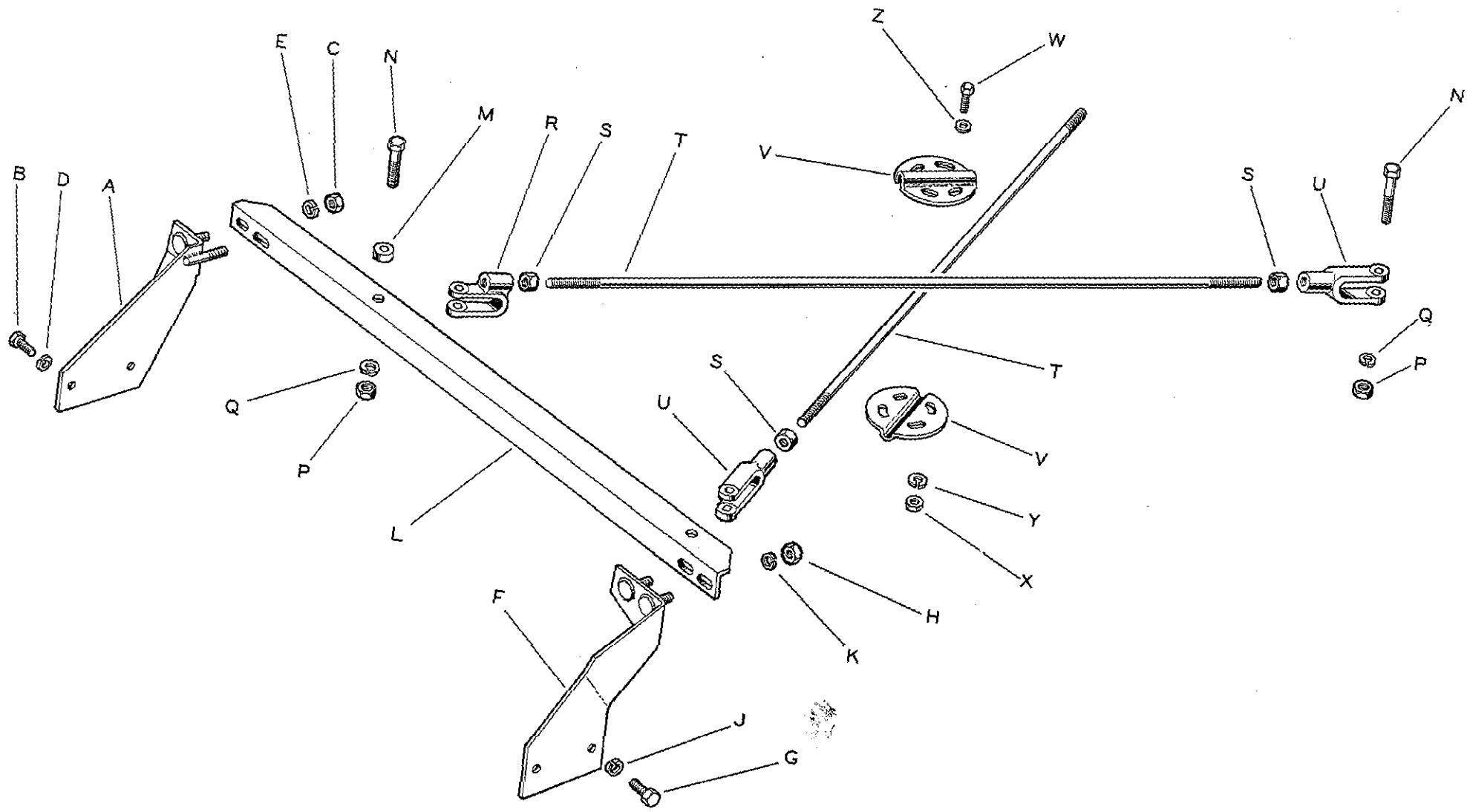
COOLER MOUNTING ARRANGEMENT



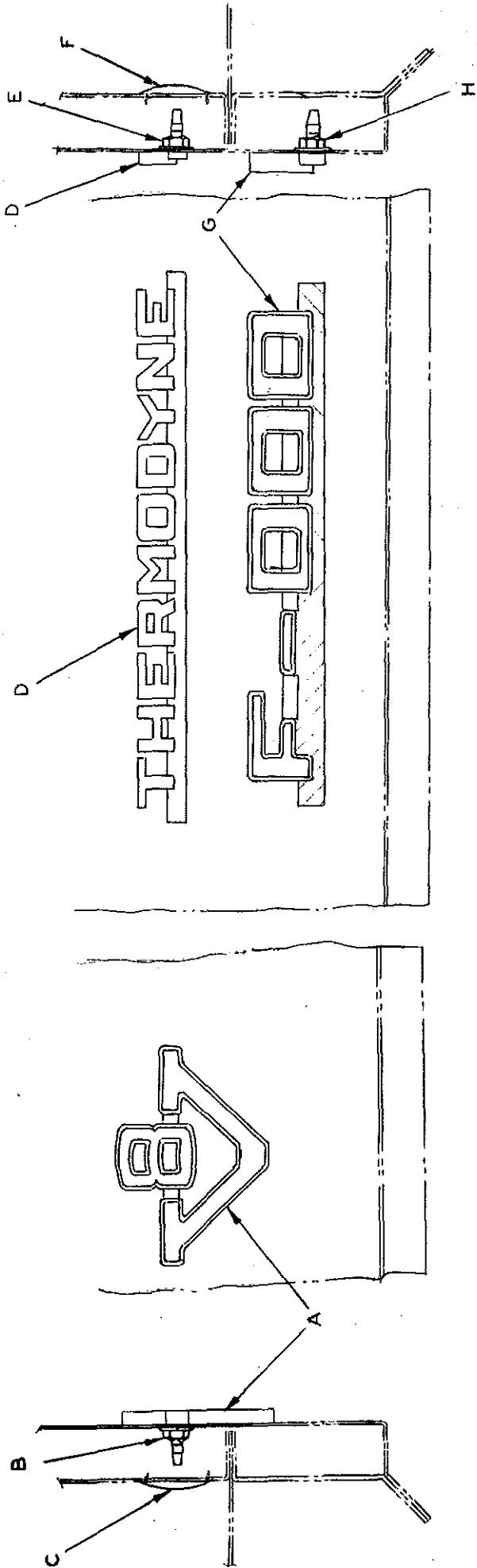
ENGINE COOLANT PIPING ARRANGEMENT



21-136-16



RADIATOR TIE ROD ARRANGEMENT



MODEL AND NAME PLATE MOUNTING ARRANGEMENT

Illustration #1-136-186.

KEY	PART NUMBER	DESCRIPTION	NO. REQ.
<u>SECTION 85A - 1MFA 5363</u> Super Pumper			
A	70RU 223	ADAPTER, Heat Exchanger Inlet Line (At Engine)	1
B	71RU 12232	PLATE, Heat Exchanger Inlet Line Adapter	1
C	120MF 125	GASKET, Heat Exchanger Inlet Line Adapter & Plate	2
D		Attaching Parts:	
		SCREW, cap, 5/8-18 NF x 3 (1-1/2"thd.)(1AX 140)	8
D-1	21AX 360	NUT (5/8-18 NF)	8
D-2	37AX 271	WASHER, Plain	8
E	116MF 16P7	COUPLING, Victaulic	2
F	11MF 3208	PIPE, Heat Exchanger Inlet Line	1
G	11MF 3209	PIPE, Heat Exchanger Inlet Line	1
H	116MF 16P7	COUPLING, Victaulic	2
J	11MF 3212	PIPE, Heat Exchanger Inlet Line	1
K	30RS 1370	VALVE, Heat Exchanger Inlet Line Relief (For Components, see back of Group)	1
L	63AX 844	ELBOW, Relief Valve	1
M	63AX 1387	NIPPLE, Relief Valve Elbow	1
N	70RU 220	ADAPTER, Heat Exchanger Inlet Line (At Heat Exchanger)	1
P	120MF 126	GASKET, Heat Exchanger Inlet Line Adapter	1
Q	---	COOLER, Oil (Furnished with Engine)	1
R	5MB 2304	SUPPORT, Heat Exchanger	2
		Attaching Parts:	
R-1		SCREW, cap, 7/16-20 NF x 1-1/2 (1-1/8"thd.)(1AX 103)	4
R-2	21AX 317	NUT (7/16-20 NF)	4
R-3	37AX 473	WASHER, Plain	4
S	120MF 126	GASKET, Heat Exchanger Outlet Line Adapter	1
T	70RU 230	ADAPTER, Heat Exchanger Outlet Line	1
U	116MF 16P7	COUPLING, Victaulic	2
V	70RU 37P2	PIPE, Heat Exchanger Outlet Line	1
W	30RS 1369	BREAKER, Valve Vacuum	1
X	63AX 77	PLUG, Valve Vacuum Breaker	1
Y	70RU 37P1	PIPE, Oil Cooler Inlet Line	1
Z	116MF 16P7	COUPLING, Victaulic	1
AA	70RU 242	ADAPTER, Oil Cooler Inlet Line	1
AB	120MF 126	GASKET, Oil Cooler Inlet Line Adapter	1
AC	---	EXCHANGER Heat (Furnished with Engine)	1
AD	5MB 2304	SUPPORT, Oil Cooler	2
		Attaching Parts:	
AD-1		SCREW, cap, 7/16-20 NF x 1-1/2 (1-1/8"thd.)(1AX 103)	4
AD-2	21AX 317	NUT (7/16-20 NF)	4
AD-3	37AX 473	WASHER, Plain	4
AE	70RU 220	ADAPTER, Oil Cooler Outlet Line	1
AF	120MF 126	GASKET, Oil Cooler Outlet Line Adapter	1
AG	116MF 16P7	COUPLING, Victaulic	2
AH	11MF 3210	PIPE, Engine Cooling Inlet	1
AJ	11MF 3211	PIPE, Engine Cooling Inlet	1
AK	120MF 125	GASKET, Engine Cooling Inlet Pipe	1
		Attaching Parts:	
AL		SCREW, cap, 5/8-18 NF x 3 (1-1/2"thd.)(1AX 140)	8
AL-1	21AX 360	NUT (5/8-18 NF)	8
AL-2	37AX 271	WASHER, Plain	8
AL-3	63AX 3269	FITTING, Oil Cooler & Heat Exchanger Drain Cock	2
AL-4	61AX 76	COCK, Oil Cooler & Heat Exchanger Drain	1

# MACK TRUCK-TRACTOR PARTS BOOK

## GROUP #4 - RADIATOR MOUNTING ARRANGEMENT SECTION 96

NOTE: Key Letters Indicated on Illustration #1-136-160.

KEY	PART NUMBER	DESCRIPTION	NO. REQ.
<u>SECTION 96A - 1MFA 5301P1</u>			
A	3MFA 568	RADIATOR CORE & TANK ASSEMBLY	1
B	2MGA 446	SHUTTER ASSEMBLY, Radiator (For Components, see back of Group)	1
C		Attaching Parts: SCREW, cap, hex.hd. 5/16-18 NC x 5/8 (Full thd.)(4AX 76)	10
D		WASHER, Lock, medium 5/16 I.D.(36AX 22)	10
E	37AX 68	WASHER, Flat	10
F	61AX 71	DRAIN COCK, Radiator Upper Tank	1
G	12AX 103P28	SEAL, Radiator Shutter	2
H	93RU 138	FLANGE, Radiator Inlet Attaching Parts:	2
J	56AX 47	GASKET	2
K		SCREW, cap, hex.hd. 3/8-16 NC x 3/4 (Full thd.)(4AX 17)	4
L		WASHER, lock, medium 3/8 I.D.(36AX 3)	4
M	11MF 2373P3	HOSE, Radiator Inlet	2
N	83AX 453	CLAMP, Radiator Inlet Hose	4
P	10MF 46P1	FITTING, Radiator Outlet Attaching Parts:	1
Q	56AX 310	GASKET	1
R		SCREW, cap, hex.hd. 7/16-14 NC x 1 (Full thd.)(4AX 27)	2
S		WASHER, Lock, medium 7/16 I.D.(36AX 4)	2
T	37AX 473	WASHER, Flat	2
U	11MF 2370P3	HOSE, Radiator Outlet	1
V	83AX 454	CLAMP, Radiator Outlet Hose	2
W	58AX 246	SPRING, Radiator Outlet Hose	1
X	10MF 47	FITTING, Radiator Outlet Engine Attaching Parts:	1
Y	120MF 118	GASKET	1
Z		SCREW, cap, hex.hd. 3/8-16 NC x 1 (Full thd.)(4AX 1)	2
AA		WASHER, Lock, medium 3/8 I.D.(36AX 3)	2
AB	37AX 472	WASHER, Flat	2
AC	17MF 348P2	SUPPORT, Radiator Attaching Parts:	1
AD		SCREW, cap, hex.hd. 1/2-20 NF x 2 (1-1/4"thd.)(1AX 59)	4
AE		NUT, hex. finished 1/2-20 NF (20AX 5)	4
AF		WASHER, Lock, medium 1/2 I.D.(36AX 5)	4
AG	Not Used	WASHER, Flat	4
AH	20QL 231P5	INSULATOR, Radiator Mounting Attaching Parts:	2
AJ	16AX 722	STUD	2
AK	21AX 338	NUT	2
AL	37AX 23	WASHER, Flat	2

# MACK TRUCK-TRACTOR PARTS BOOK

GROUP #4 - RADIATOR MOUNTING ARRANGEMENT  
SECTION 96 (Continued)

KEY	PART NUMBER	DESCRIPTION	NO. REQ.
<u>SECTION 96A - LMFA 5301P1(Cont.)</u>			
AM	61AX 54	DRAIN COCK, Radiator Outlet Fitting	1
AN	5MH 4203P1	SHROUD, Fan	1
AP		Attaching Parts: SCREW, cap, hex.hd. 5/16-18 NC x 5/8 (Full thd.)(4AX 76)	10
AQ		WASHER, Lock, medium 5/16 I.D.(36AX 22)	10
AR	37AX 68	WASHER, Flat	10
<u>SECTION 96B - LMFA 5301P2</u>			
Same as LMFA 5301P1(Section 96A)Except			
AG	37AX 474	WASHER, Flat	4
<u>SECTION 96C - LMFA 5301P3</u>			
Same as LMFA 5301P1(Section 96A)Except			
M	11MF 2373P6	HOSE, Radiator Inlet	2
P	10MF 46P2	FITTING, Radiator Outlet	1
AN	5MH 4203P2	SHROUD, Fan	1
<u>SECTION 96D - LMFA 5301P4</u>			
Same as LMFA 5301P1(Section 96A)Except			
M	11MF 2373P6	HOSE, Radiator Inlet	2
P	10MF 46P2	FITTING, Radiator Outlet	1
AG	37AX 474	WASHER, Flat	4
AN	5MH 4203P2	SHROUD, Fan	1
<u>SECTION 96E - LMFA 1223</u>			
Same as LMFA 5301P1(Section 96A)Except			
P	) Omit		
Thru			
W	) 17MF 353	SUPPORT, Radiator	1
AC			
AD		SCREW, cap, 1/2-20 NF x 2-3/4 (1-1/4"thd.) (1AX 46)	4
AG	71RU 12107	SPACER	2
AM	Omit		
<u>SECTION 96F - LMFA 1231</u>			
Same as LMFA 5301P1(Section 96A)Except			
B	2MGA 459	SHUTTER ASSEMBLY, Radiator (For Components, see back of Group)	1



LINE NO.	PART NUMBER	DESCRIPTION	NO. REQ.
<u>SECTION 116A - 34RUA 439</u>			
1	34RU 3135	SHIELD COMPLETE, Recirculation (R.H.)	1
2	34RU 2246	SHIELD COMPLETE, Recirculation (L.H.)	1
3	873AX 4FT100	TAPE, Adhesive Seal 1/32 thick x 3/4 wide (100 ft. Bulk Roll 11 inches required)(R.H.Shield Mounting Upper)	1
4	873AX 4FT100	TAPE, Adhesive Seal 1/32 thick x 3/4 wide (100 Ft. Bulk Roll 13 inches required)(L.H.Shield Mounting Upper)	1
5	34RU 2247	SHIELD COMPLETE, Recirculation (Upper)	1
Attaching Parts:			
6		SCREW, cap, 5/16-18 NC x 3/4 (Full thd.)(4AX 99)	2
7		WASHER, Lock, 5/16 I.D.(36AX 22)	2
8	37AX 22	WASHER, Flat	2
<u>SECTION 116B - 34RUA 439AP1</u>			
Same as 34RUA 439(Section 116A)Except			
1	34RUA 3135A	SHIELD COMPLETE, Recirculation (R.H.)	1
2	34RUA 2246A	SHIELD COMPLETE, Recirculation (L.H.)	1
5	34RUA 2247A	SHIELD COMPLETE, Recirculation (Upper)	1
<u>SECTION 116C - 34RUA 439AP2</u>			
Same as 34RUA 439(Section 116A)Except			
1	34RU 3140	SHIELD COMPLETE, Recirculation (R.H.)	1
2	34RU 2251	SHIELD COMPLETE, Recirculation (L.H.)	1
5	34RU 2252	SHIELD COMPLETE, Recirculation (Upper)	1
6		SCREW, tapping type A, rd. Phillips hd. #6-18 x 3/8 (131AX 81)	2
7	Omit		
8	37AX 526	WASHER, Flat	2
<u>SECTION 116D - 34RUA 439AP3</u>			
Same as 34RUA 439(Section 116A)Except			
1	34RU 3142	SHIELD COMPLETE, Recirculation (R.H.)	1
2	34RU 2255	SHIELD COMPLETE, Recirculation (L.H.)	1
5	34RU 2254	SHIELD COMPLETE, Recirculation (Upper)	1
6		SCREW, tapping type A, rd. Phillips hd. #6-18 x 3/8 (131AX 81)	2
7	Omit		
8	37AX 526	WASHER, Flat	2



Illustration #1-136-189.

KEY	PART NUMBER	DESCRIPTION	NO. REQ.
<u>SECTION 127A - IMFA 5370</u>			
A	70RU 232P2	FITTING, Coolant Piping	1
B	63AX 527	ELBOW, Street Coolant Piping	1
C	63AX 393	BUSHING, Coolant Piping Elbow	1
D	63AX 380	NIPPLE, Coolant Piping Elbow	1
E	83AX 452	CLAMP, Coolant Hose	6
F	160AX 403	HOSE, Coolant Piping Sight-Glass	1
G	6RB 162	SIGHT-GLASS, Coolant Piping	1
H	160AX 422	HOSE, Coolant Piping	1
J	70RU 225	ADAPTER, Coolant Piping	1
J-1		Attaching Parts:	
J-2	21AX 441	SCREW, cap, 1/4-28 NF x 2-1/8 (3/4"thd.)(1AX 198)	5
J-3	37AX 471	NUT (1/4-28 NF)	5
K	160AX 431	WASHER, Plain	5
L	36RUA 315P68	HOSE, Coolant Piping	1
L		HOSE ASSEMBLY, Coolant Piping	1
-		Use Units as follows:	
-		HOSE, medium high pressure 1/4 I.D. x 9/16 O.D. x 66-11/16"L. (898AXA)	1
M	63AX 1718	END, Hose (Female)	1
N	63AX 1724	END, Hose (Male)	1
P	63AX 1521	COUPLING, Coolant Piping Hose Assembly	2
Q	63AX 1207	CONNECTOR, Coolant Piping Hose Assembly	1
R	11MF 2436	PIPE, Engine Cooling Outlet	1
S	160AX 412	HOSE, Coolant Piping	6
T	83AX 455	CLAMP, Coolant Piping Hose	12
U	70RU 35	ADAPTER, Coolant Piping Thermostat	1
V	---	THERMOSTAT, Coolant Piping (Furnished with Engine)	1
V-1		Attaching Parts:	
V-2	21AX 314	SCREW, cap, 5/16-24 NF x 1-1/2 (7/8"thd.)(1AX 400)	24
V-3	37AX 1	NUT (5/16-24 NF)	24
V-4	12OMF 121	WASHER, Plain	24
W	70RU 218	GASKET	3
X	70RU 218	ADAPTER, Coolant Piping	1
Y	70RU 36	ADAPTER, Coolant Piping	1
Z	70RU 41	ADAPTER, Coolant Piping	1
AA	12OMF 123	GASKET, Coolant Piping Adapter	2
AB	11MF 2437	PIPE, Coolant Piping Inlet	1
AC	70RU 226	ADAPTER, Coolant Piping	1
AD	11MF 1317	HOSE, Coolant Piping	1
AE	83AX 454	CLAMP, Coolant Piping Hose	7
AE	70RU 238	FITTING, Engine Cooling Adapter	1
AF		Attaching Parts:	
AF-1	21AX 441	SCREW, cap, 1/4-28 NF x 3/4 (Full thd.)(1AX 374)	3
AF-2	37AX 471	NUT, (1/4-28 NF)	3
AG	160AX 273	WASHER, Plain	3
AH	70RU 239	HOSE, Coolant Piping	1
AJ	160AX 399	FITTING, Engine Cooling Adapter	1
AK	243AX 3F94	HOSE, Coolant Piping	1
AL	243AX 3F36	HOSE, Coolant Tank Over-Flow	1
AM	83AX 451	HOSE, Coolant Tank Overflow (Upper)	1
AM		CLAMP, Coolant Tank Overflow Hose	3

Illustration #21-136-16.

KEY	PART NUMBER	DESCRIPTION	NO. REQ.
<u>SECTION 27A - 21MFA 47P1</u>			
A	80MF 422	BRACKET, Angle Radiator Tie Rod Mounting (R.H.Front)	1
B		Attaching Parts:	
C		SCREW, cap, 5/16-18 NC x 5/8 (Full thd.)(4AX 76)	2
D		NUT, hex. 3/8-24 NF (20AX 3)	2
E		WASHER, Lock, 5/16 I.D.(36AX 22)	2
F	80MF 423	BRACKET, Angle Radiator Tie Rod Mounting (L.H.Front)	1
G		Attaching Parts:	
H		SCREW, cap 5/16-18 NC x 3/4 (Full thd.)(4AX 99)	2
J		NUT, hex. 3/8-24 NF (20AX 3)	2
K		WASHER, Lock, 5/16 I.D.(36AX 22)	2
L	1RU 12439P1	WASHER, Lock, 3/8 I.D.(36AX 3)	2
M	35AX 48	ANGLE, Radiator Tie Rod Mounting	1
N		SPACER, Steel, Clevis End (Front)	2
		SCREW, cap, 1/2 x 20 NF x 2 (1-1/4"thd.)Clevis End Radiator Tie Rod (1AX 59)	4
		Attaching Parts:	
P		NUT, hex. 1/2-20 NF (20AX 5)	4
Q		WASHER, Lock, 1/2 I.D.(36AX 5)	4
R	84AX 187	CLEVIS, Radiator Tie Rod, Front R.H.	1
S	21AX 28	NUT, Jam, Locking Clevis Tie Rod Ends	4
T		ROD, Radiator Tie 1/2 x 33 (1/2-20 NF x 2-1/2" thd.)both ends (94AX 57)	2
U	84AX 24	CLEVIS, Radiator Tie Rod	3
V	73RU 11719	CLAMP, Tie Rod	2
W		SCREW, cap, 1/4 x 28 NF x 3/4 (Full thd.)Locking (Tie Rod Clamp)(1AX 374)	4
X		Attaching Parts:	
Y		NUT, hex. 1/4-28 NF (20AX 1)	4
Z	37AX 435	WASHER, Lock, 1/4 I.D.(36AX 1)	4
		WASHER, Flat	8
<u>SECTION 27B - 21MFA 47P2</u>			
Same as 21MFA 47P1(Section 27A)Except			
S	Omit		
T	75RU 239P1	ROD, Radiator Tie	1
T-1	75RU 239P2	ROD, Radiator Tie	1
U	Omit		

Illustration #3-137-55.

KEY	PART NUMBER	DESCRIPTION	NO. REQ.
<u>SECTION 6A - 3MGA 355P1</u> F611 & F760 Models - 700 Sq. In. Radiator			
A	63AX 1090	ELBOW ASSEMBLY, Shutterstat Air Supply Tube (At Air Governor)	1
B	83AX 594	CLAMP, Shutterstat Air Supply Tube	1
C	100AX 64FT50	TUBING, Copper, 1/4" O.D. Shutterstat Air Supply (50' Bulk item - 52" Req.)	1
D	63AX 1090	ELBOW ASSEMBLY, Shutterstat Air Supply Tube	1
E	7MGA 215BP5	SHUTTERSTAT (185° Setting) (For Components, See Back of Group)	1
F	63AX 330	ELBOW, Shutterstat Delivery Hose	1
G	36RUA 38P70	HOSE ASSEMBLY, Shutterstat Delivery Use Units as Follows:	1
H		HOSE, Medium high pressure 3/16 I.D. x 1/2 O.D. x 68-3/4" L. (897AXA)	1
J	63AX 1717	END, Hose (Female)	2
K	83AX 592	CLAMP, Hose Support Clamp to Tie Rod	2
L	83AX 592	CLAMP, Hose Support	2
M		Attaching Parts:	
N		SCREW, Cap, 5/16-24 NF x 5/8 (Full thd.) (1AX 120)	2
P		NUT, Hex. 5/16-24 NF (20AX 2)	2
Q	83AX 592	WASHER, Lock, 5/16 I.D. (36AX 22)	2
R	63AX 329	CONNECTOR, Shutterstat Delivery Hose to Shutter Control Valve	1
<u>SECTION 6B - 3MGA 355P2</u> F611 Model - 1000 Sq. In. Radiator Same as 3MGA 355P1 (Section 6A) Except			
G	36RUA 38P52	HOSE ASSEMBLY, Shutterstat Delivery	1
H		HOSE, Medium high pressure 3/16 I.D. x 1/2 O.D. x 50-3/4 (897AXA)	1
Q	83AX 592	CLAMP, Delivery Hose to Radiator	1
R	63AX 330	ELBOW, Shutterstat Delivery Hose to Shutter Control Valve	1
<u>SECTION 6C - 3MGA 356</u> F640 Model - 700 Sq. In. Radiator Same as 3MGA 355P1 (Section 6A) Except			
B	Omit		
C	100AX 64FT50	TUBING, Copper, 1/4 O.D. Shutterstat Air Supply (50' Bulk Item - 36" Req.)	1
<u>SECTION 6D - 3MGA 357</u> F743 Model - 1000 Sq. In. Radiator Same as 3MGA 355P1 (Section 6A) Except			
C	100AX 64FT50	TUBING, Copper, 1/4 O.D. Shutterstat Air Supply (50' Bulk Item - 23" Req.)	1
F	63AX 329	CONNECTOR, Shutterstat Delivery Hose	1
G	36RUA 38P20	HOSE ASSEMBLY, Shutterstat Delivery	1
H		HOSE, Medium high pressure 3/16 I.D. x 1/2 O.D. x 18-3/4" L. (897AXA)	1
K			
Thru	Omit		
P			
Q	83AX 592	CLAMP, Delivery Hose to Radiator	1
R	63AX 330	ELBOW, Shutterstat Delivery Hose to Shutter Control Valve	1

KEY	PART NUMBER	DESCRIPTION	NO. REQ.
		SECTION 6E - 3MGA 358P1 F731 & F737 Models - 700 Sq. In. Radiator Same as 3MGA 355P1(Section 6A)Except	
B	Omit		
C	100AX 64FT50	TUBING, Copper, 1/4 O.D. Shutterstat Air Supply (50' Bulk Item - 42" Req.)	1
F	63AX 329	CONNECTOR, Shutterstat Delivery Hose	1
G	36RUA 38P68	HOSE ASSEMBLY, Shutterstat Delivery	1
H		HOSE, Medium high pressure 3/16 I.D. x 1/2 O.D. x 66-3/4" L. (897AXA)	1
K	Omit		
Thru			
P			
		SECTION 6F - 3MGA 358P2 F741, F745, F749 & F755 - 1000 Sq. In. Radiator Same as 3MGA 355P1(Section 6A)Except	
B	Omit		
C	100AX 64FT50	TUBING, Copper, 1/4 O.D. Shutterstat Air Supply (50' Bulk Item - 42" Req.)	1
F	63AX 329	CONNECTOR, Shutterstat Delivery Hose	1
G	36RUA 38P50	HOSE ASSEMBLY, Shutterstat Delivery	1
H		HOSE, Medium high pressure 3/16 I.D. x 1/2 O.D. x 48-3/4" L. (897AXA)	1
K	Omit		
Thru			
P			
Q	83AX 592	CLAMP, Delivery Hose to Radiator	1
R	63AX 330	ELBOW, Shutterstat Delivery Hose to Shutter Control Valve	1
		SECTION 6G - 3MGA 358P3 F759 & F763 - 1110 Sq. In. Radiator Same as 3MGA 355P1(Section 6A)Except	
B	Omit		
C	100AX 64FT50	TUBING, Copper, 1/4 O.D. Shutterstat Air Supply (50' Bulk Item - 42" Req.)	1
F	63AX 329	CONNECTOR, Shutterstat Delivery Hose	1
G	36RUA 38P48	HOSE ASSEMBLY, Shutterstat Delivery	1
H		HOSE, Medium high Pressure 3/16 I.D. x 1/2 O.D. x 46-5/4"L. (897AXA)	1
K	Omit		
Thru			
P			
Q	83AX 592	CLAMP, Delivery Hose to Radiator	1
		SECTION 6H - 3MGA 359 F715 - 1000 Sq. In. Radiator Same as 3MGA 355P1(Section 6A)Except	
B	Omit		
C	100AX 64FT50	TUBING, Copper, 1/4 O.D. Shutterstat Air Supply (50' Bulk Item - 22" Req.)	1
G	36RUA 38P25	HOSE ASSEMBLY, Shutterstat Delivery	1
H		HOSE, Medium high pressure 3/16 I.D. x 1/2 O.D. x 23-3/4" L. (897AXA)	1
K	Omit		
Thru			
P			
Q	83AX 592	CLAMP, Delivery Hose to Radiator	1
R	63AX 330	ELBOW, Shutterstat Delivery Hose to Shutter Control Valve	1

# MACK TRUCK-TRACTOR PARTS BOOK

GROUP #4H - MODEL & NAME PLATE MOUNTING ARRANGEMENT  
SECTION 4

NOTE: Key Letters Indicated on Illustration #31-136-1.

KEY	PART NUMBER	DESCRIPTION	NO. REQ.
<u>SECTION 4A - 31MFA 47P1</u>			
A	27RU 2138	PLATE, Name (V8) Attaching Parts:	1
B	123AX 41	NUT, Self Threading	2
C	49AX 54	PLUG, Button, 1-5/32" O.D. - 12 Prong	2
D	27RU 2139	PLATE, Engine Identification Attaching Parts:	1
E	123AX 41	NUT, Self Threading	2
F	49AX 54	PLUG, Button, 1-5/32" O.D. - 12 Prong	2
G	31MF 46P2	PLATE, Model Identification (F-700) Attaching Parts:	1
H	123AX 41	NUT, Self Threading	3
<u>SECTION 4B - 31MFA 47P2</u> Same as 31MFA 47P1 (Section 4A) Except			
D	Omit		
E	Omit		
F	Omit		
<u>SECTION 4C - 31MFA 32P1</u> Same as 31MFA 47P1 (Section 4A) Except			
A	Omit		
B	Omit		
C	Omit		
G	31MF 46P1	PLATE, Model Identification (F-600)	1
<u>SECTION 4D - 31MFA 32P2</u> Same as 31MFA 47P1 (Section 4A) Except			
A	Omit		
B	Omit		
C	Omit		
D	Omit		
E	Omit		
F	Omit		
<u>SECTION 4E - 31MFA 32P3</u> Same as 31MFA 47P1 (Section 4A) Except			
A	Omit		
B	Omit		
C	Omit		

LINE NO.	PART NUMBER	DESCRIPTION	NO. REQ.
		<u>SECTION 3A - 76MFA 410</u>	
1	76MFA 49	FRAME COMPLETE, Coolant Tank	1
2	76MFA 48	TANK ASSEMBLY, Coolant Includes:	1
3	16MFA 242P1	CAP, Tank	1
4	5MB 3267	BRACKET COMPLETE, Coolant Tank Support	1

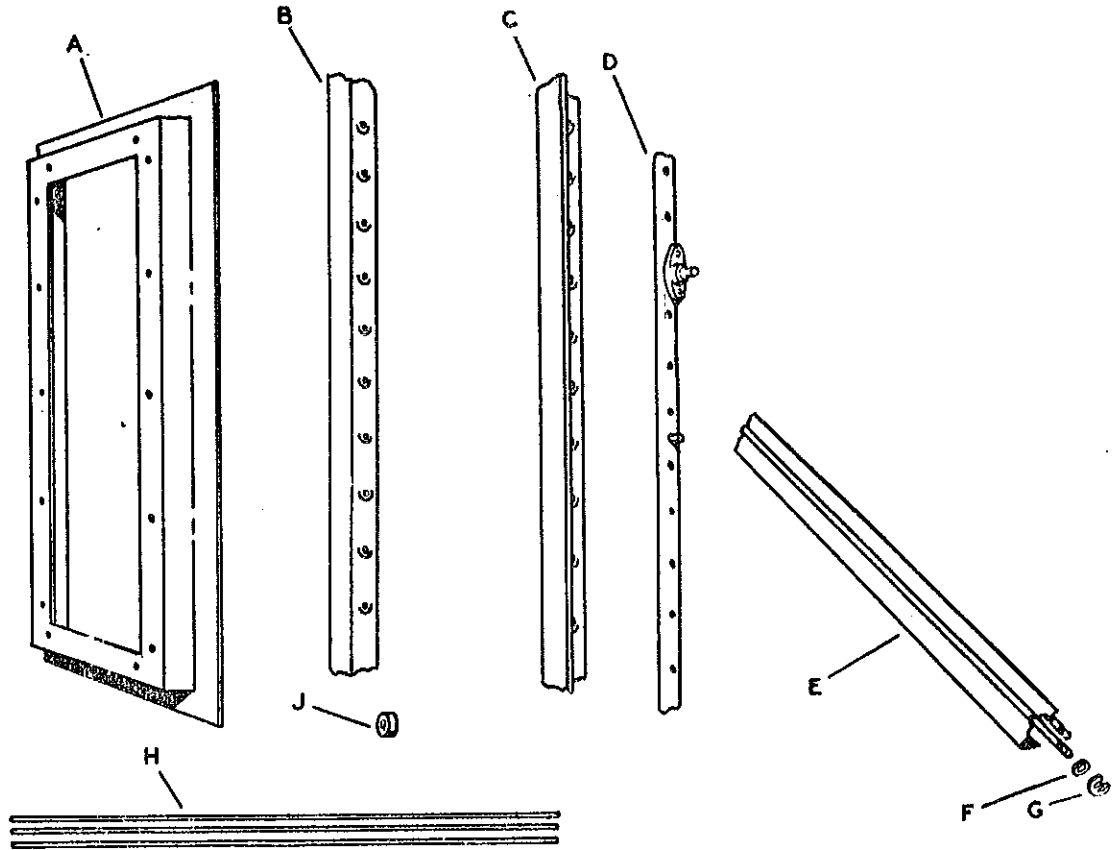
6/23/65 ejm-mes

MACK CHASSIS NUMBER must always be given with PART NUMBER when ordering.

COMPONENT PARTS

2MGA 446  
RADIATOR SHUTTER

2-137-20



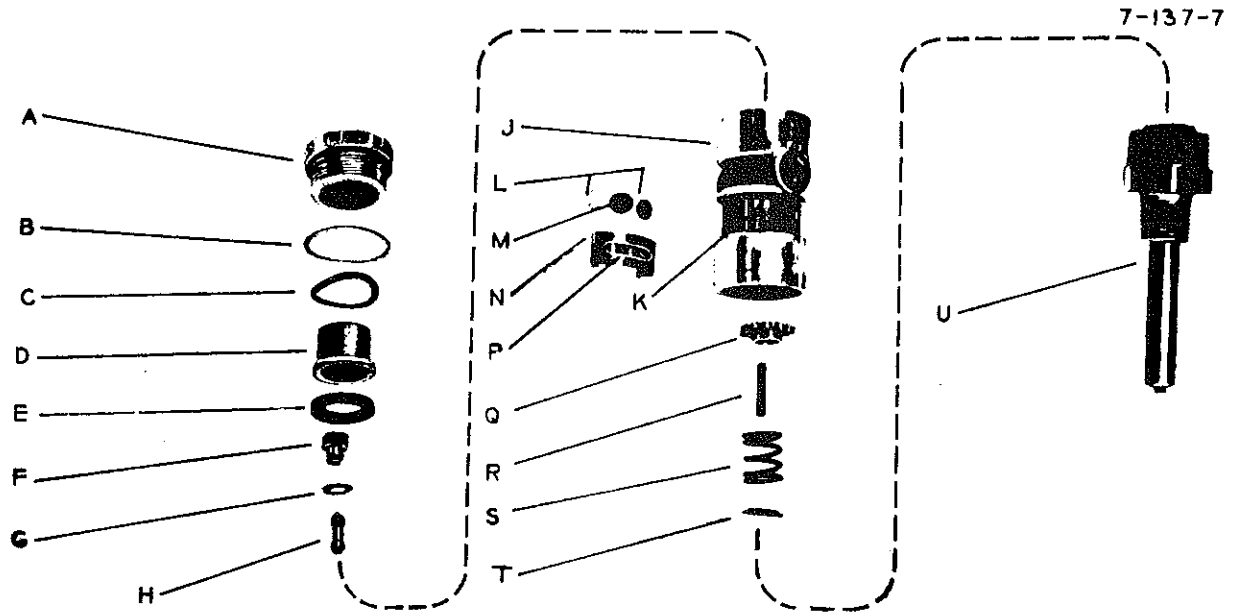
KEY	PART NUMBER	DESCRIPTION	REQ'D. NO
A	4769 D-16057	FRAME ASSEMBLY, Shutter	1
B	4769 C-16060	ANGLE ASSEMBLY (Opposite Control Bar Side)	1
C	4769 C-16059	ANGLE ASSEMBLY, (Control Bar Side)	1
D	4769 C-16061	BAR ASSEMBLY, Control	1
E	4769 B-16789	VANE ROD & SEAL ASSEMBLY	18
-	4769 B-16302	Includes: SEAL, Vane (27-11/16"L.)	18
F	4769 B-5940	WASHER, Vane	36
G	4769 B-7426	RING, "E" Retaining	12
H	4769 B-6322-36	WIRE, Anti-Rattle (36" Long)	2
J	4769 B-1884	BUSHING	36
-	35MG 13AP1	CONTROL ASSEMBLY, Radiator Shutter (For Component, see back of Group)	1



**WACK CHASSIS NUMBER** must always be given with **PART NUMBER** when ordering.

### COMPONENT PARTS

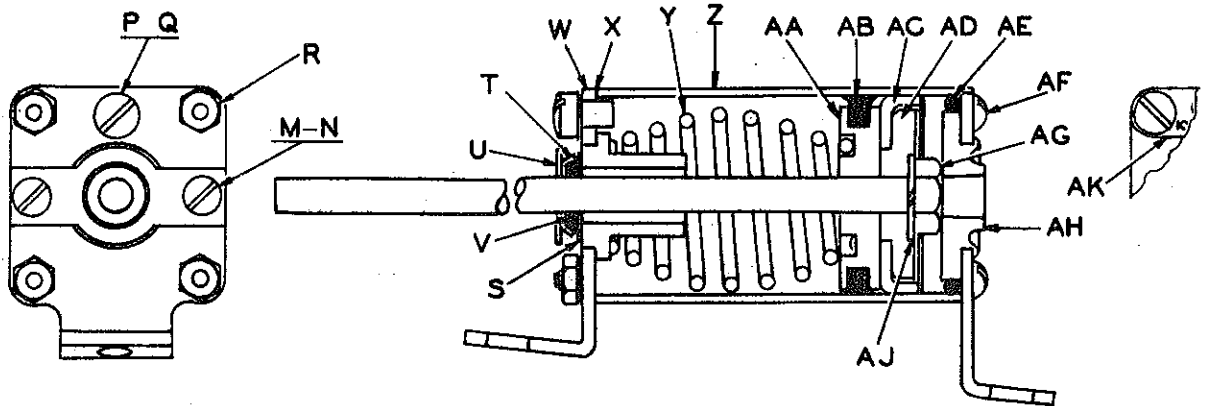
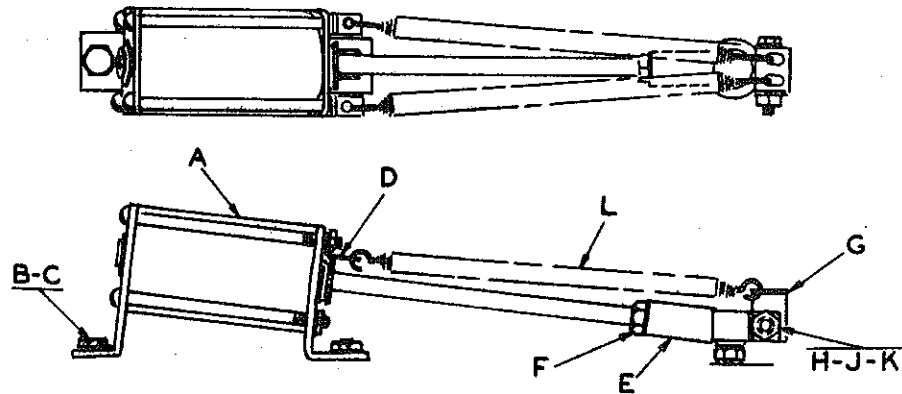
7MGA 215BP1 Thru BP8  
SHUTTERSTAT (AIR)



KEY	PART NUMBER	DESCRIPTION	NO. REQ.
A	4769 B-15881	CAP, End	1
B	4769 B-15882	Attaching Parts: GASKET	1
C	4769 B-16026	WASHER, Spring	1
D	4769 B-15880	FILTER, Air	1
E	4769 B-15879	GASKET, Filter	1
F	4769 100XA	NEEDLE, Seat	1
G	4769 408XB	Attaching Parts: GASKET	1
H	4769 99XA	NEEDLE	1
J	4769 B-15866	BODY ASSEMBLY Includes: BUSHING	1
K	4769 B-15868	BUSHING	1
L	4769 407XB	SCREEN	2
M	4769 406XB	FELT	1
N	4769 B-15883	COVER & RATCHET STOP	1
P	4769 B-16052	SCREEN, (Air Outlet)	1
Q	4769 B-15869	WHEEL, Adjusting	1
R	4769 B-15870	PIN, Push	1
S	4769 220X	SPRING	1
T	4769 B-15877	DISC, Spring Pilot	1
U	4769 B-15871	BASE ASSEMBLY	1

**COMPONENT PARTS**  
 35MG 13 AP1 & AP2  
 35MG 13BP1  
 RADIATOR SHUTTER CYLINDER

35-137-10



THIS REPLACES ALL COPIES DATED PRIOR TO JUNE 16, 1965.

KEY	PART NUMBER	DESCRIPTION	NO. REQ.
A	42SF 12A	CYLINDER ASSEMBLY, Air (Include Key Letters M thru AK)	1
B	---	SCREW, cap, hex. hd. 5/16-18 x 1/2 (4AX 22.1)	1
C	---	WASHER, Lock, 5/16 (36AX 22)	2
D	4769 B10155	ANCHOR, Spring	2
E	18F 12	CASTING, Adapter	1
F	---	NUT, hex. 5/16-24 (20AX 2)	1
G	4769 B3897	BRACKET, Spring Anchor (For AP1 & BP1)	1
G	4769 B6934	BRACKET, Spring Anchor (For AP2)	1
H	---	SCREW, cap, hex. 1/4-20 x 1-1/4 L. (4AX 281)(For AP1 & BP1)	1
H	---	SCREW, cap, hex. 1/4-20 x 1 L. (4AX 22)(For AP2)	1
J	---	NUT, hex. 1/4-20 (22AX 5)	1
K	---	WASHER, Lock, 1/4 (36AX 1)	1
L	4769 212X	SPRING	2
M	---	SCREW, mach. rd. hd. #10-24 (8AX 151)	2
N	---	WASHER, Lock, #10 (36AX 14)	2
P	---	SCREW, mach. fil. hd. 1/4-28 (9AX 44)	1
Q	4769 B-9741	WASHER, Seal (Copper)	1
R	4769 B-8464	NUT, Lock "Keps" #10-32 NF.	4
S	35MG 17	WASHER	1
T	31SF 16	CAP, Dust	1
U	4769 B9324	CAP, Retainer Dust	1

6/16/65 sr-mes

**COMPONENT PARTS**  
 35MG 13AP1 & AP2  
 35MG 13BP1  
RADIATOR SHUTTER CYLINDER (Cont.)

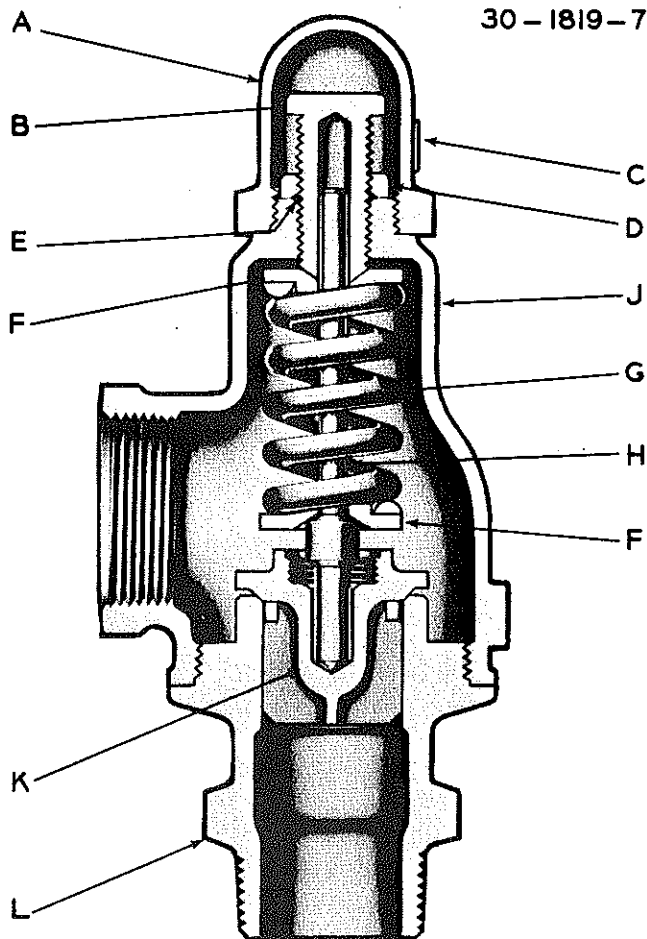
KEY	PART NUMBER	DESCRIPTION	NO. REQ.
V	105SF 14	FELT, Dust Cap	1
W	4769 B9693	HEAD, Air Cylinder (Front)	1
X	4769 B9644	GASKET	1
Y	362SF 17	SPRING	1
Z	4769 B9325	BARREL, Cylinder	1
AA	4769 B9656	ROD & HEAD ASSEMBLY, Piston	1
AB	105SF 12	FELT, Piston Lubricator	1
AC	4769 B8563	CUP, Piston	1
AD	4769 B9956	BLOCK, Follower	1
AE	4769 C-8500-27A	RING, Seal	1
AF	4769 B9322-32	SCREW, Mach. rd. hd. #10-32 x 4"lg.	4
AG	----	NUT, hex. 5/16-18 NC (22AX 1)	2
AH	4769 B-9689	HEAD & BRACKET, Cylinder	1
AJ	----	WASHER, Lock, 5/16 (36AX 22)	1
AK	4769 B10313-4	PLATE, Name	1
-	4769 B-10556	KIT, Repair	1

THIS REPLACES ALL COPIES DATED PRIOR TO JUNE 16, 1965.

MACK CHASSIS NUMBER must always be given with PART NUMBER when ordering.

COMPONENT PARTS

3ORS 1370  
RELIEF VALVE (1-1/2")



KEY	PART NUMBER	DESCRIPTION	NO. REQ.
A	1556 2611-23	CAP	1
B	1556 2611-13	SCREW, Adjusting	1
C	1556 2611-48	PLATE, Name	1
D	1556 2611-16	LOCKNUT, Adjusting Screw	1
E	1556 2611-29	PACKING	1
F	1556 2611-11	WASHER, Spring	2
G	1556 2611-6	SPRING	1
H	1556 2611-18	STEM	1
J	1556 2611-1	BODY	1
K	1556 2611-8	DISC	1
L	1556 2611-34	BASE	1

# Mack PARTS BOOK

## INDEX

### GROUP #5 - ELECTRICAL

The Following Variations Apply to this Group  
KEY

ILLUSTRATION NO.	PART NUMBER	DESCRIPTION	GROUP	SECTION	PAGE
------------------	-------------	-------------	-------	---------	------

1-1311-65	1MK 5220	BATTERY MOUNTING ARRGT	5	107A	5-107-1
-----------	----------	------------------------	---	------	---------

Same as Standard Except for the Following:

BG Omit

12-1315-11	17MO 49P2	DIRECTIONAL SIGNAL, STOP & TAIL LAMP MOUNTING ARRGT	5C	26B	5C-26-1
------------	-----------	--	----	-----	---------

Same as Standard Except for the Following:

ADD:

44MO 211P1	CABLE ASSY, STOP & TAIL LAMP RH	1
43MR 21P2	CONNECTOR, Cable Assy	2

30-1318-38	30MR 491	CAB HARNESS & CLAMP ARRGT	5K	64A	5K-64-1
------------	----------	---------------------------	----	-----	---------

Same as Standard Except for the Following:

A 41MR 3338	HARNESS, Roof Wiring	1
J Omit		
K Omit		
M Omit		
M-1 Omit		

ADD:

41MR 2530	HARNESS, Interlock Switch to Junction Block & Ground Wiring	1
-----------	--	---

### SPECIAL EQUIPMENT

41MR 3387	HARNESS, Horn, Siren, Front Warning Light, Wiring	1
41MR 3390	HARNESS, Turn Signal & Warning Lights	1
44MO 32	CABLE ASSY, Junction Block (Top of Tunnel) to RH Headlamp Junction Block	1

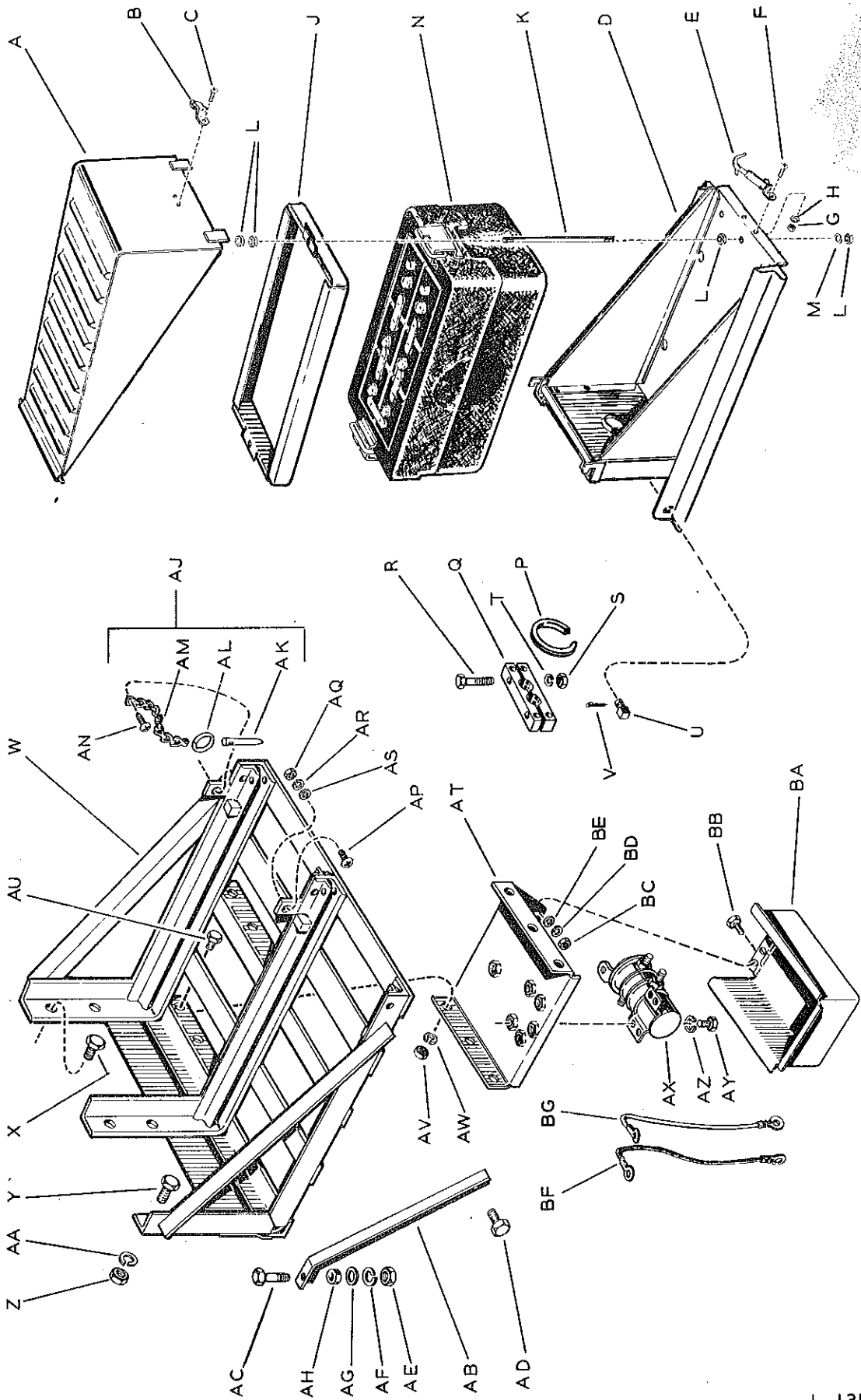
### COMPONENTS

2MO 46P4	47MO 239P2
38MO 27P9	76MO 213AP1

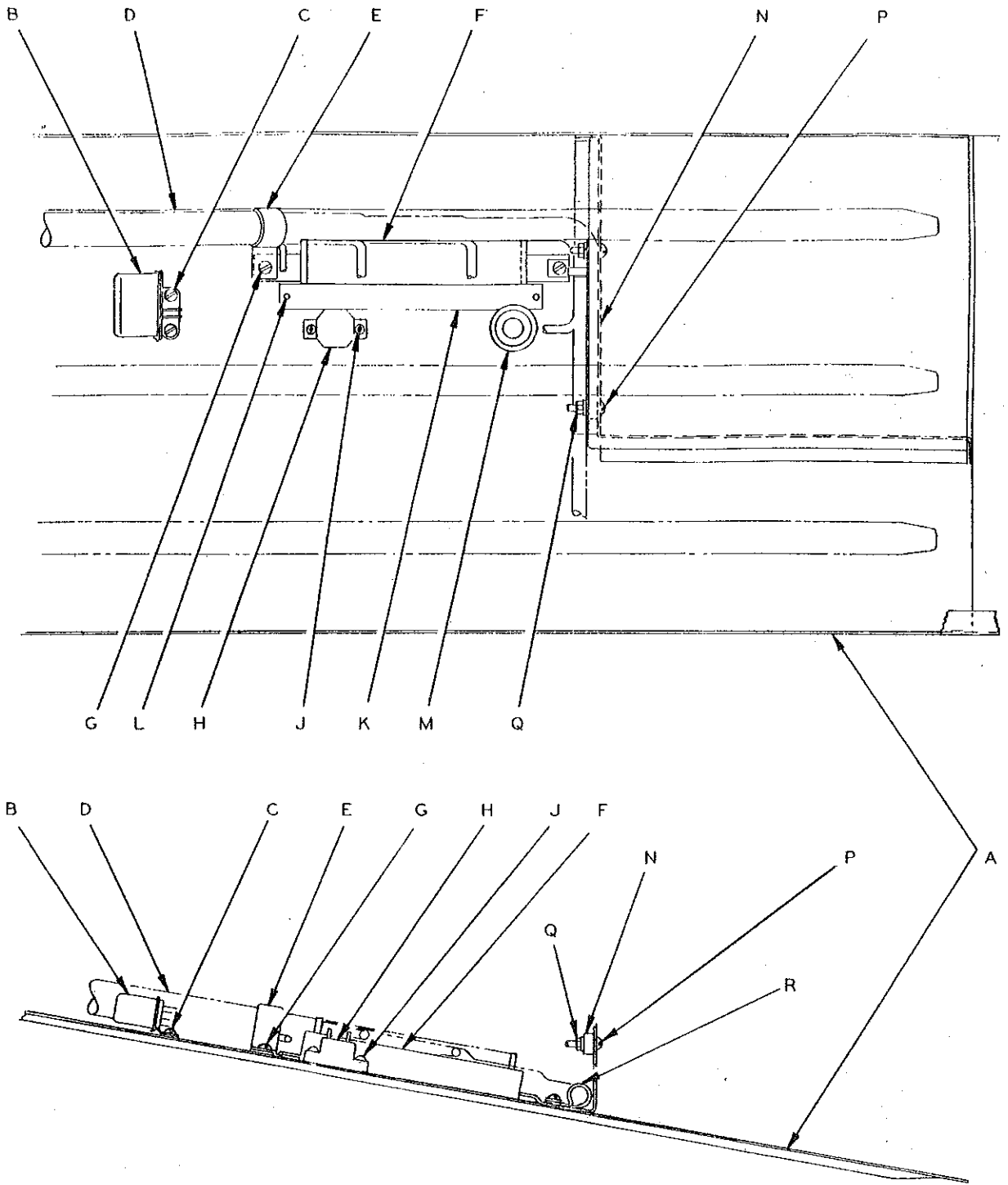


4248A 12/8/65 ejm-jd PAGE #5-1

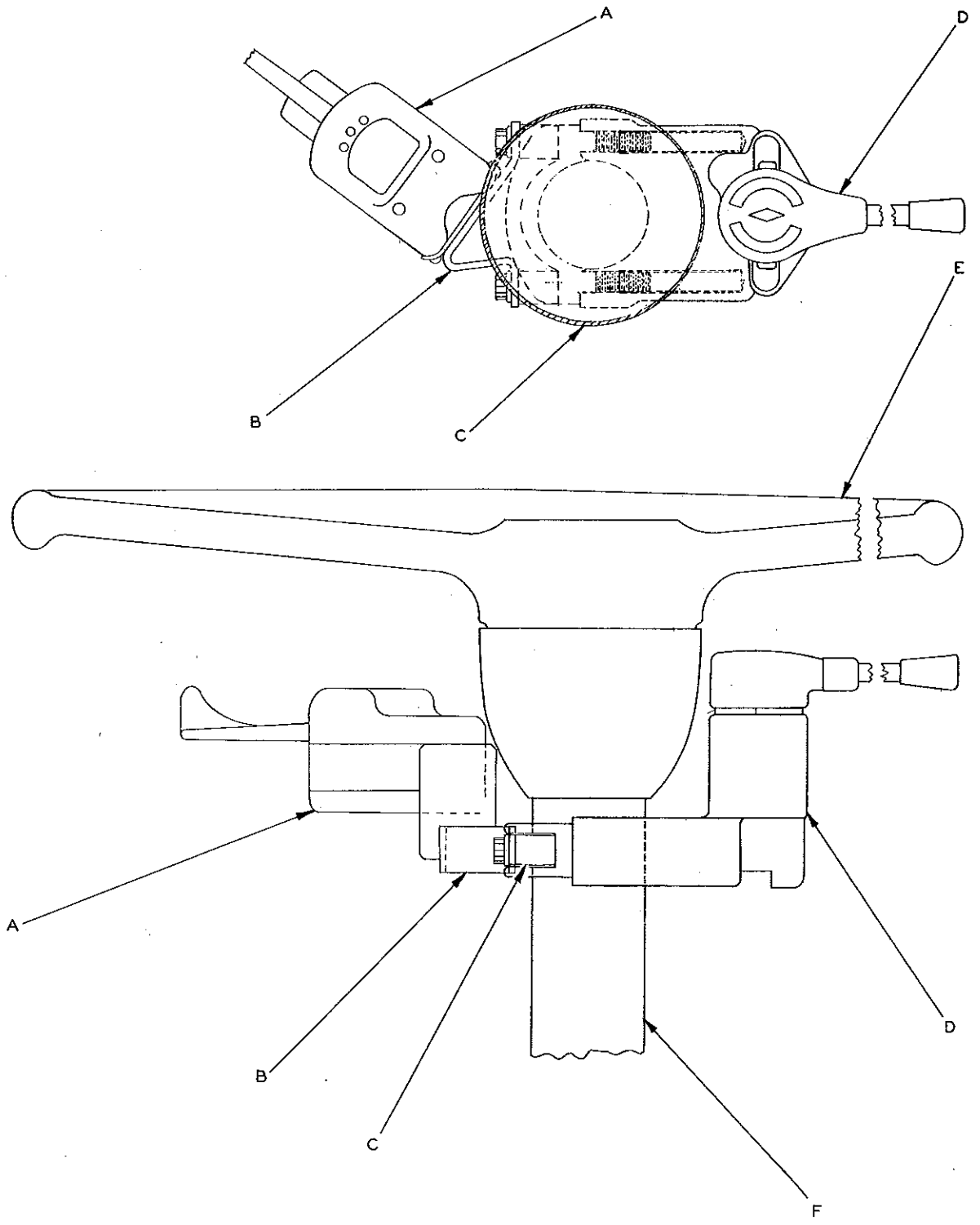
CHASSIS NUMBER must always be given with PART NUMBER when ordering.



BATTERY MOUNTING ARRANGEMENT



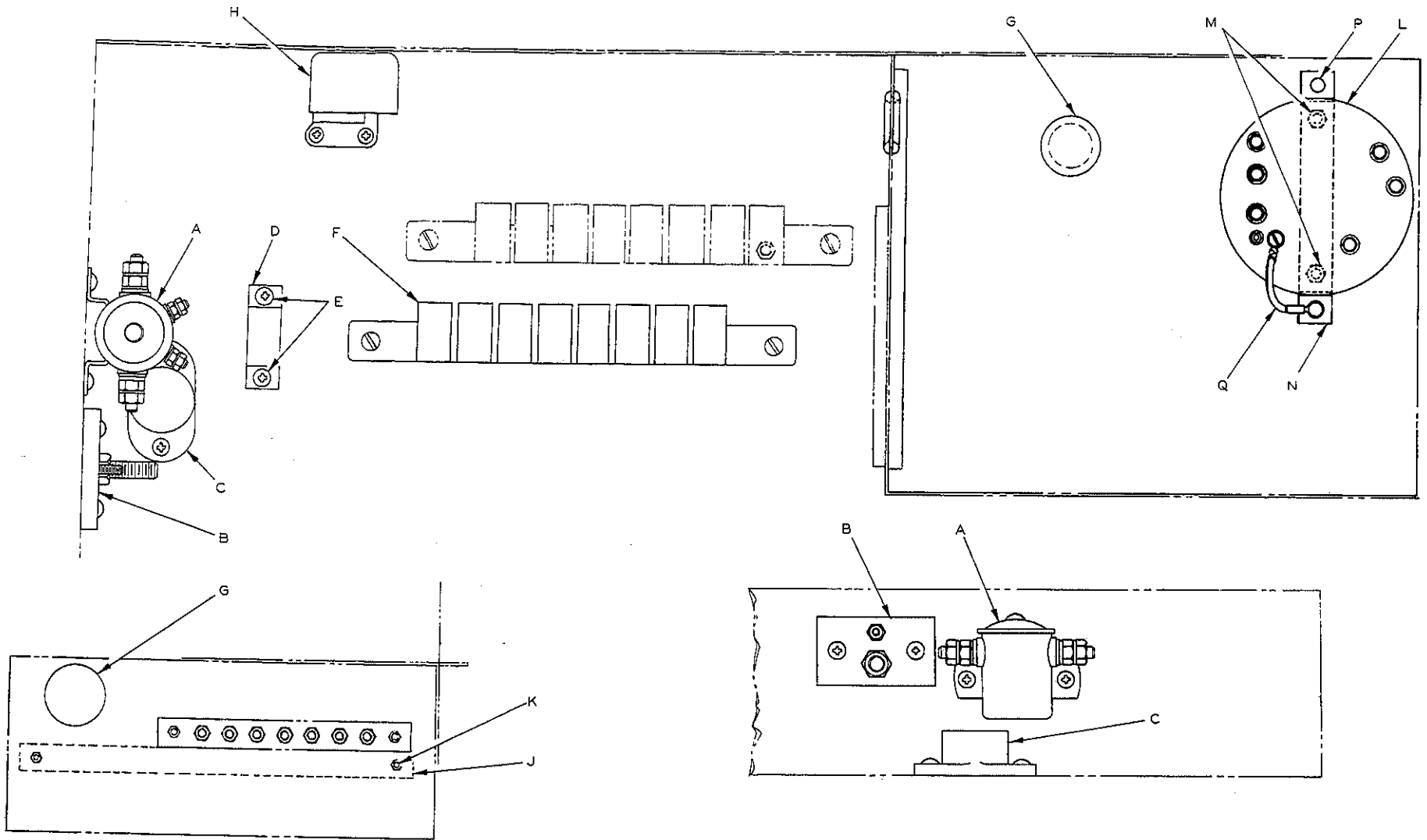
ELECTRICAL EQUIPMENT  
ARRANGEMENT ON ENGINE TUNNEL



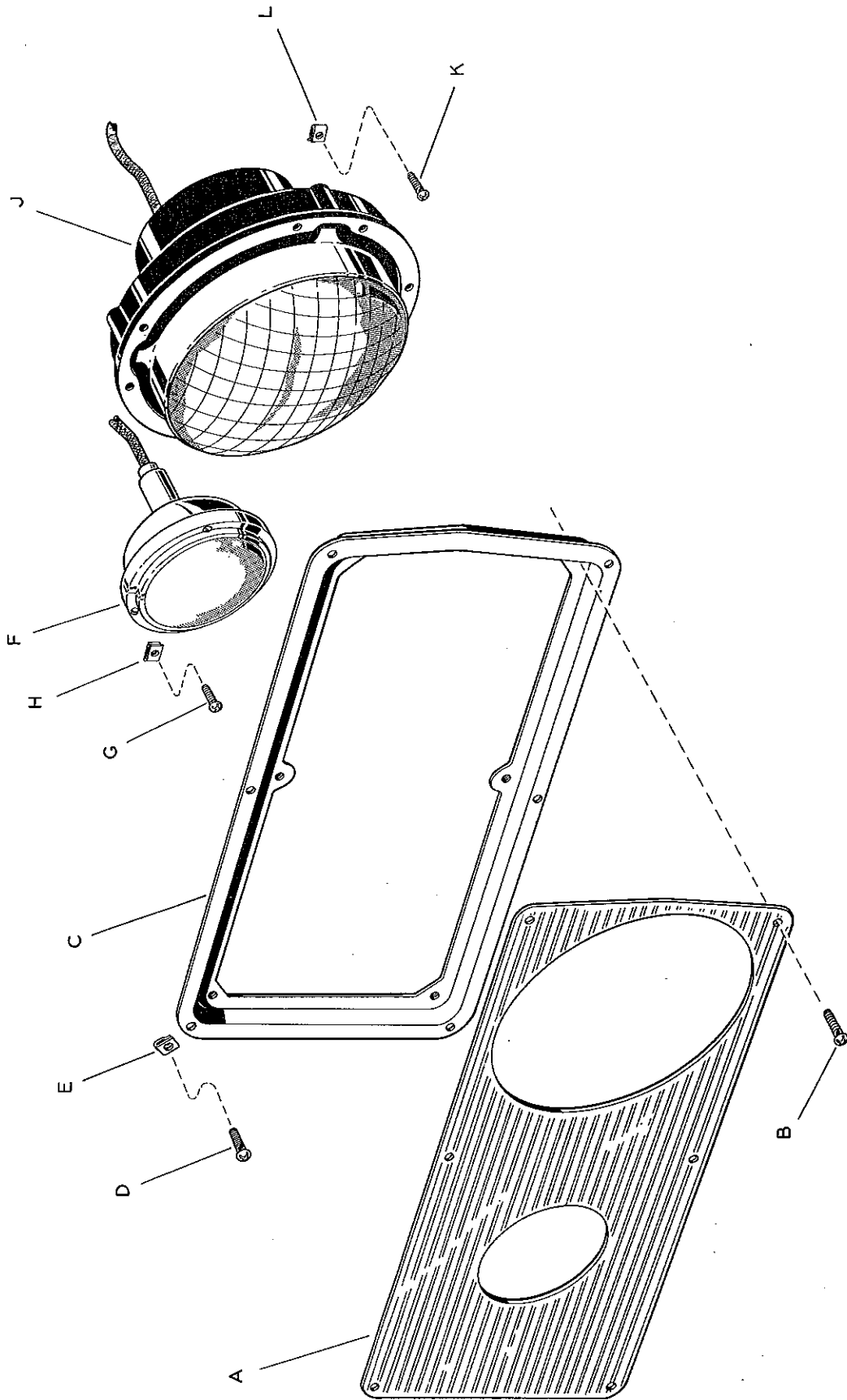
1-1318-71

DIRECTIONAL SIGNAL SWITCH MOUNTING ARRANGEMENT



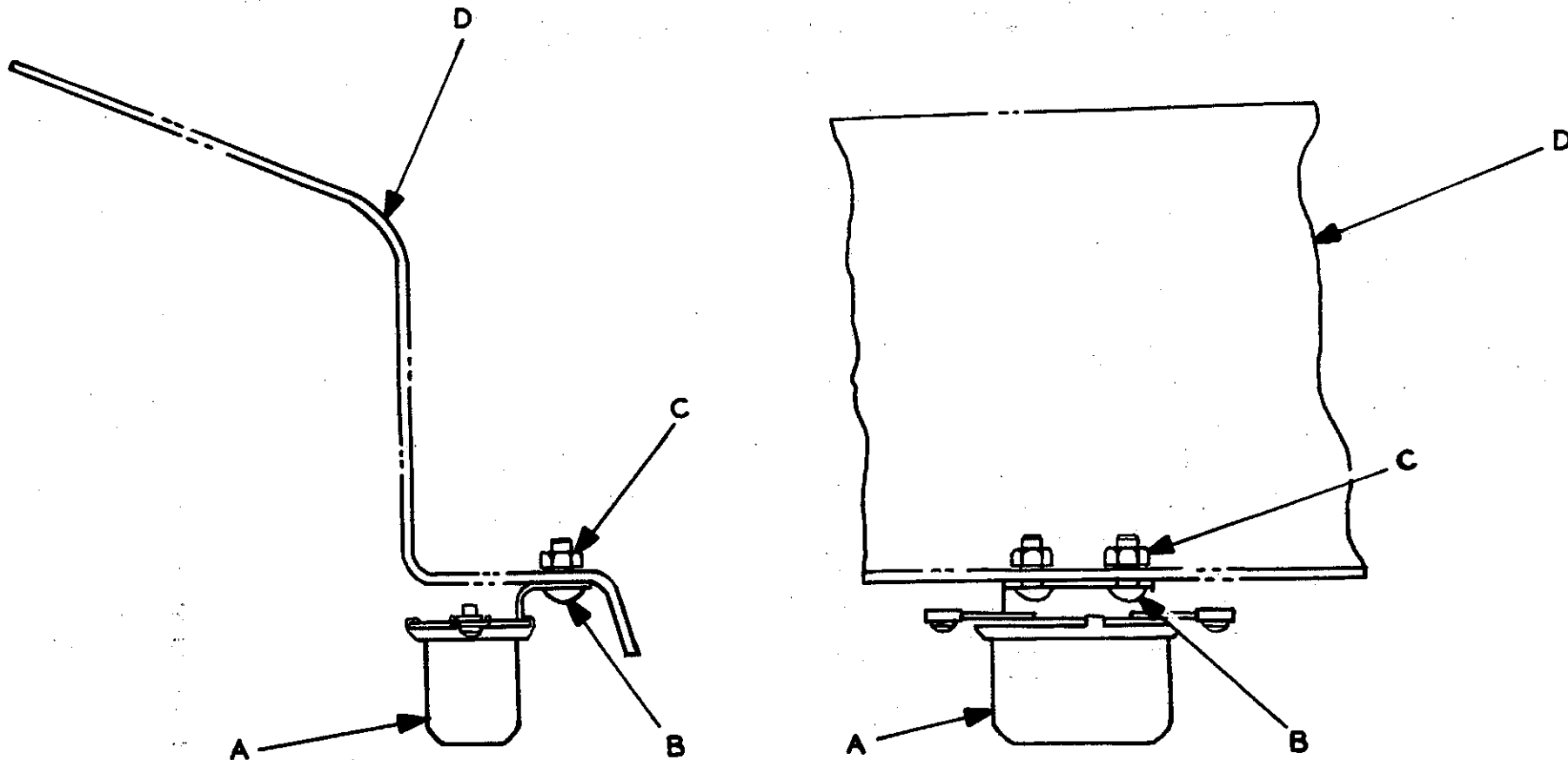


ELECTRICAL EQUIPMENT ARRANGEMENT (TOP OF TUNNEL)

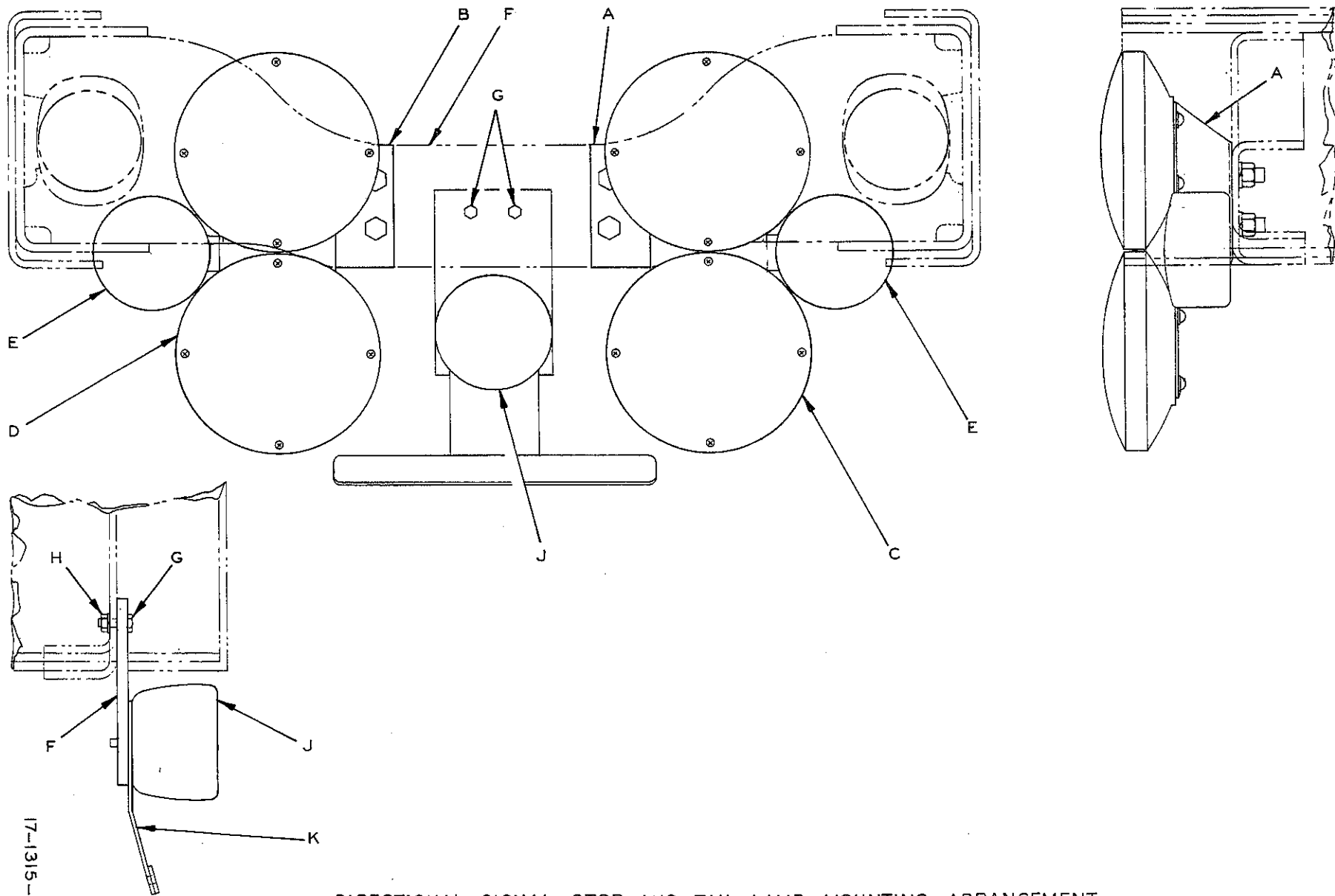


HEADLAMP MOUNTING ARRANGEMENT

7-1318-2

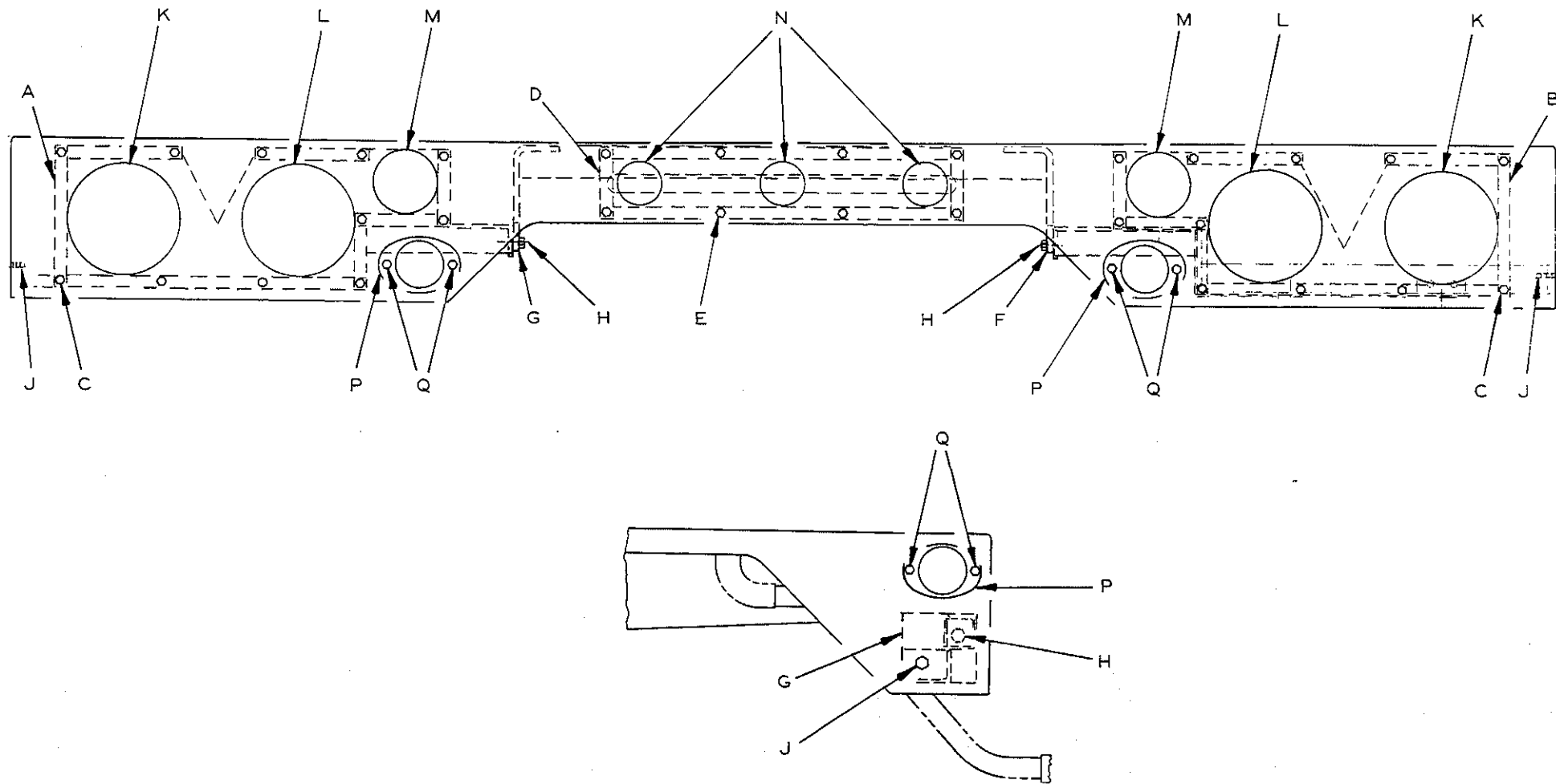


LOW AIR PRESSURE BUZZER MOUNTING ARRANGEMENT

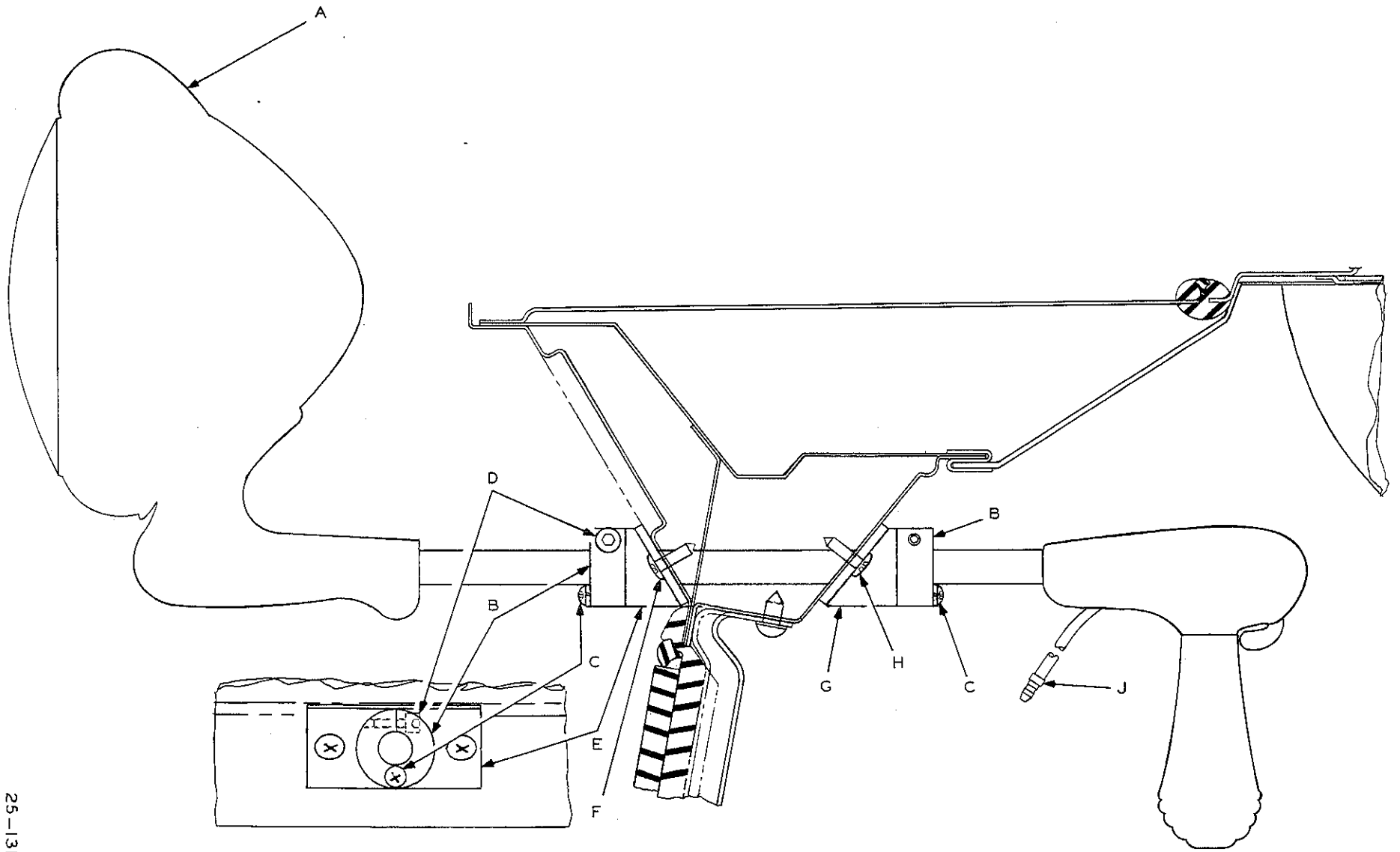


17-1315-11

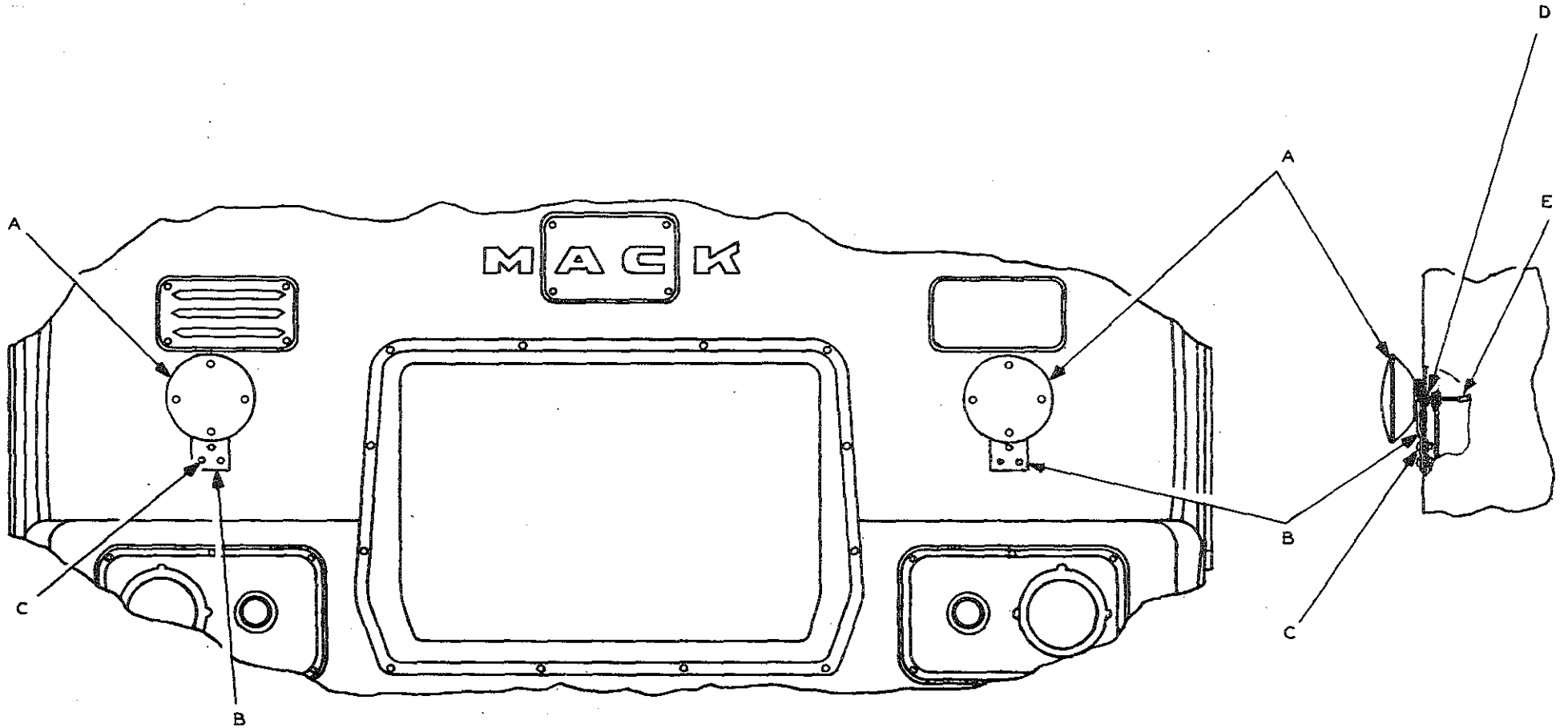
DIRECTIONAL SIGNAL, STOP AND TAIL LAMP MOUNTING ARRANGEMENT



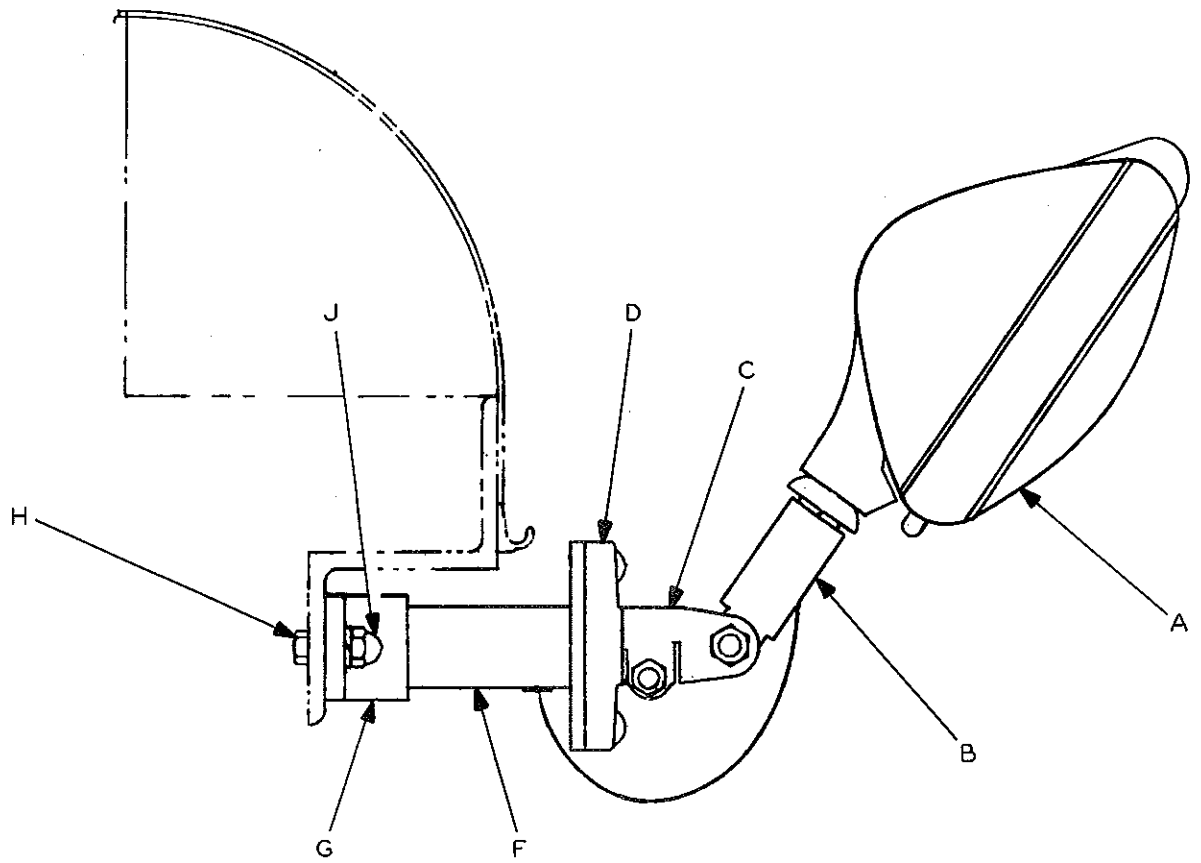
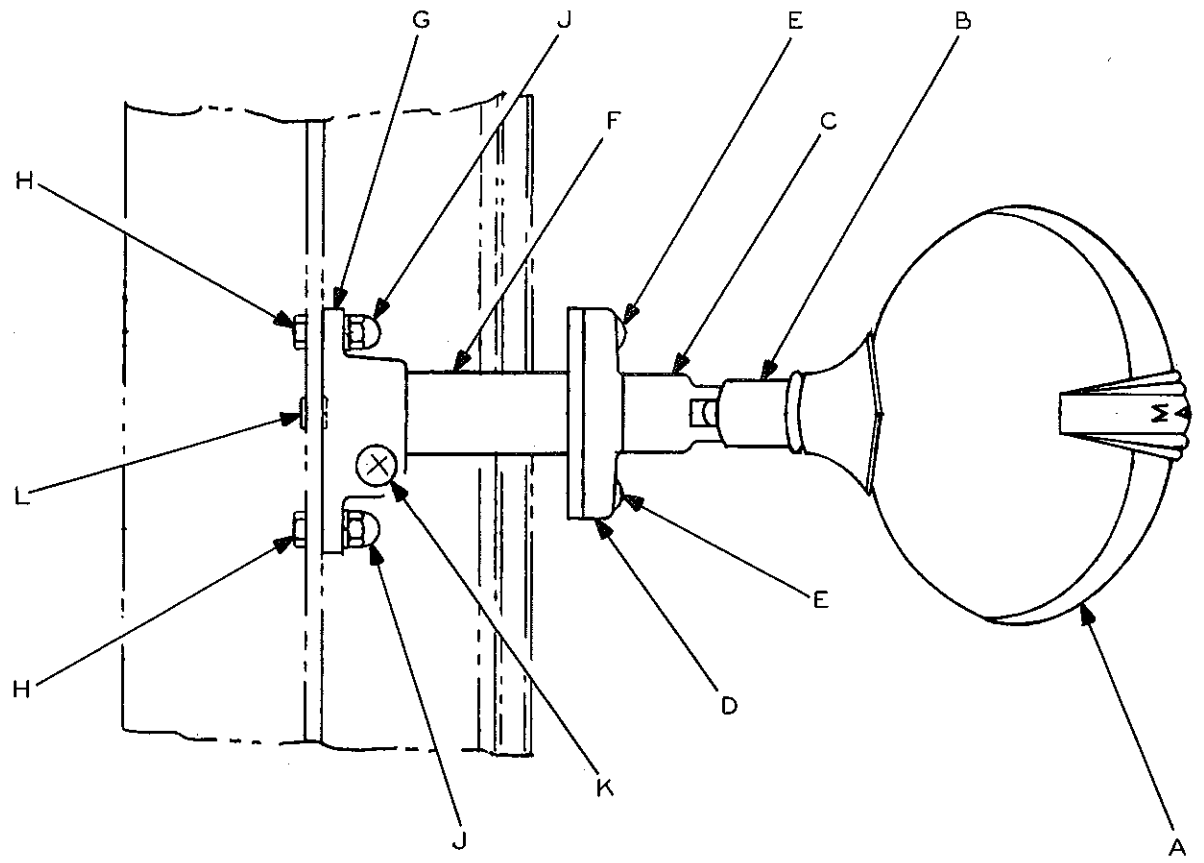
STOP AND TAIL LAMP MOUNTING ARRANGEMENT



SPOTLIGHT MOUNTING ARRANGEMENT



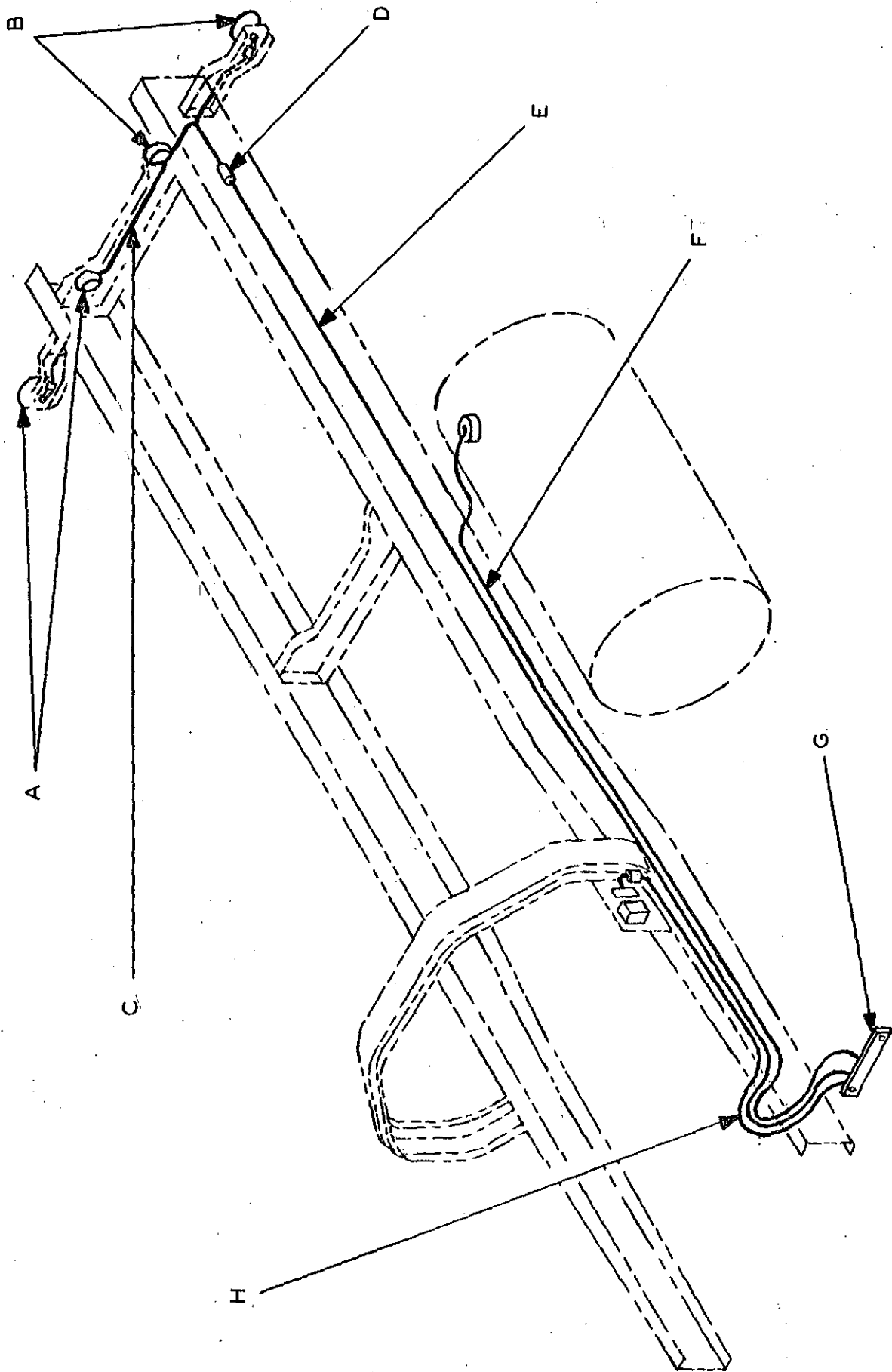
WARNING LAMP ARRANGEMENT



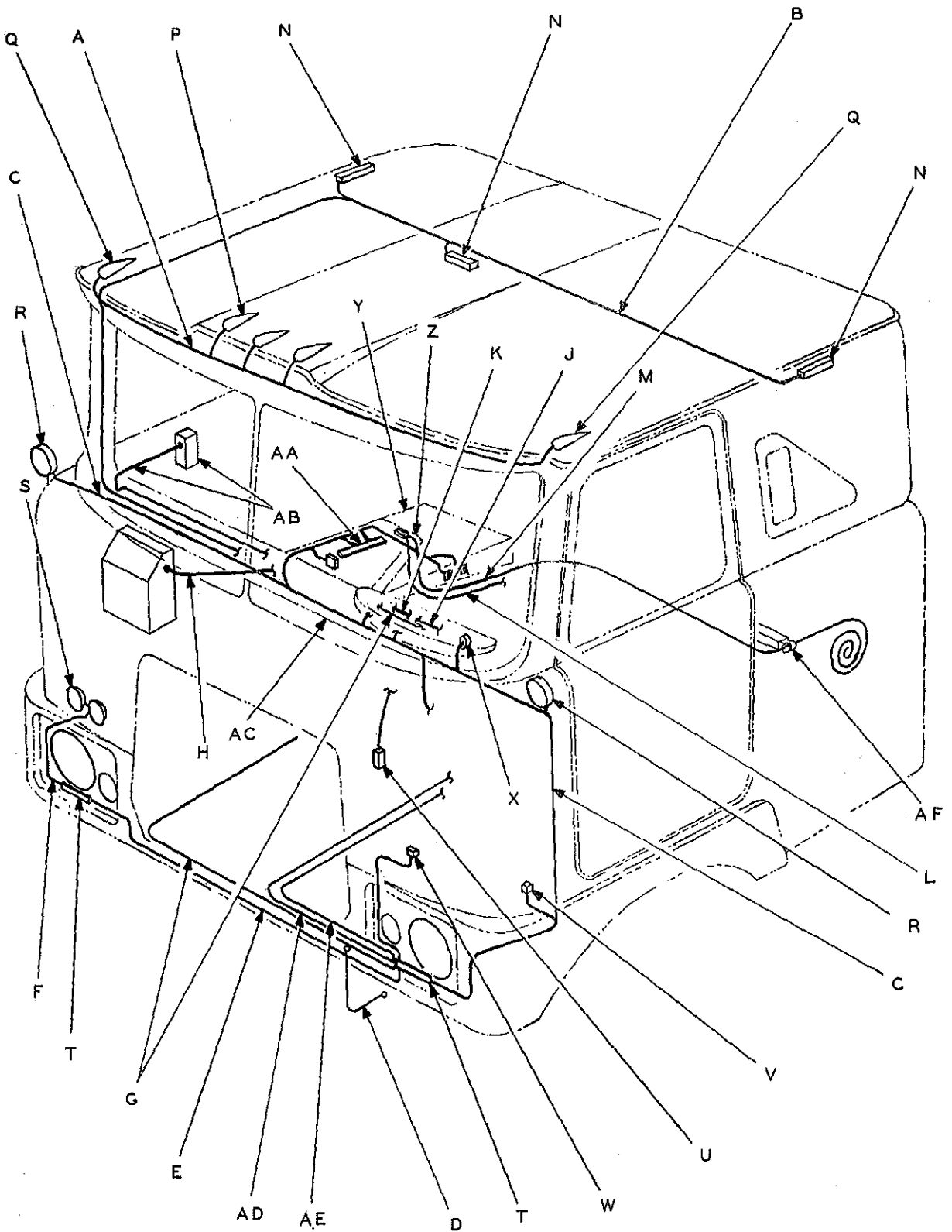
FLOOD LAMP MOUNTING ARRANGEMENT

25-1315-7



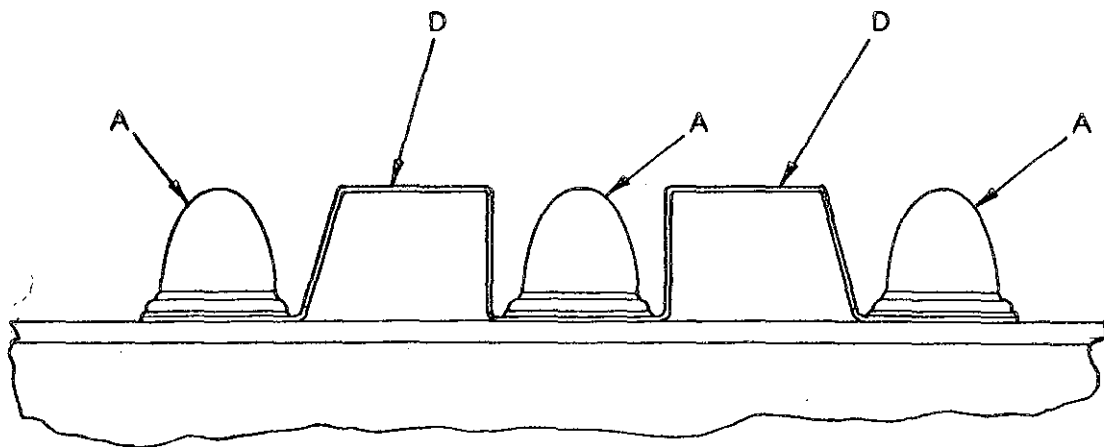
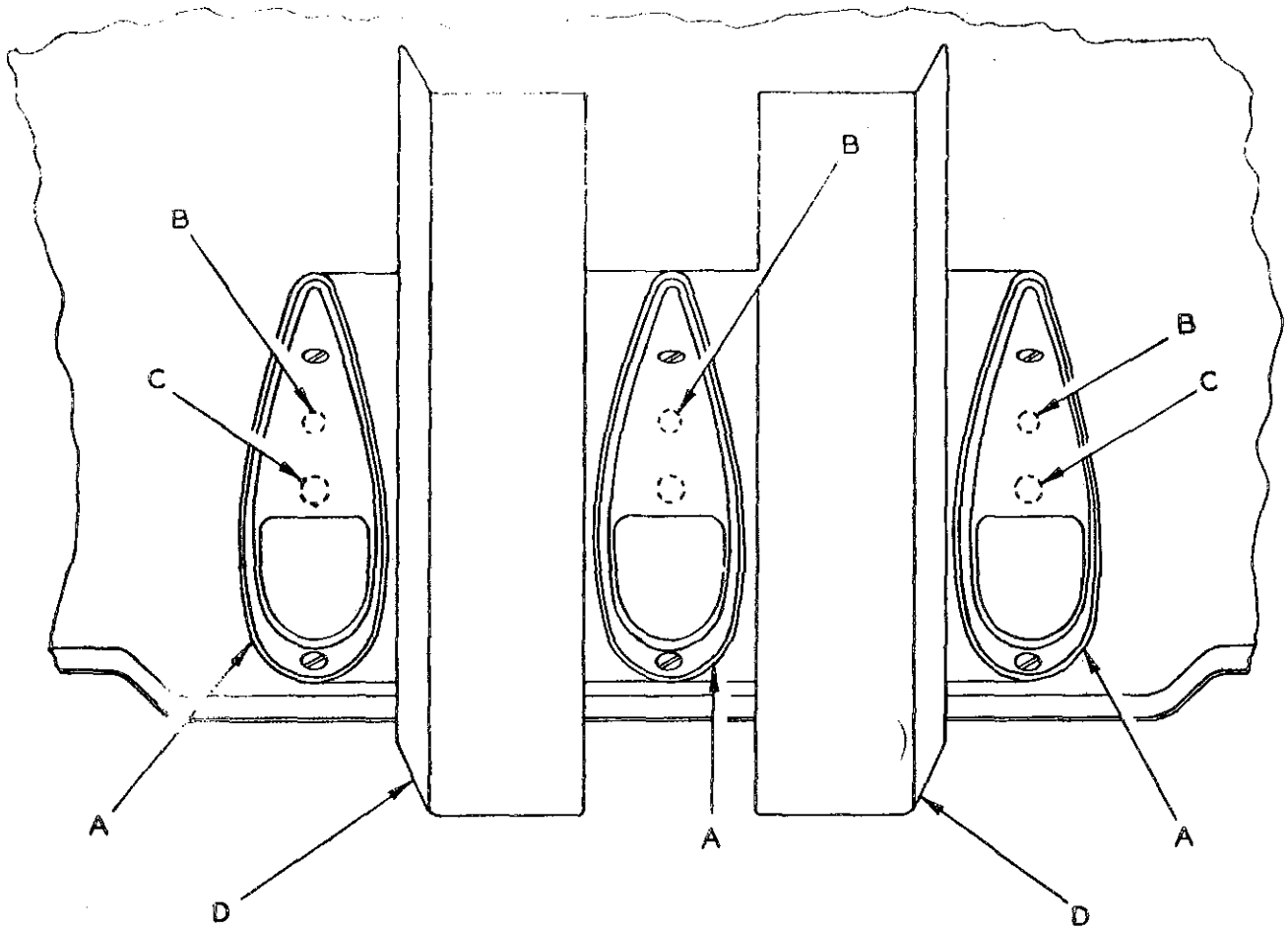


CHASSIS REAR HARNESS & CLAMP ARRANGEMENT



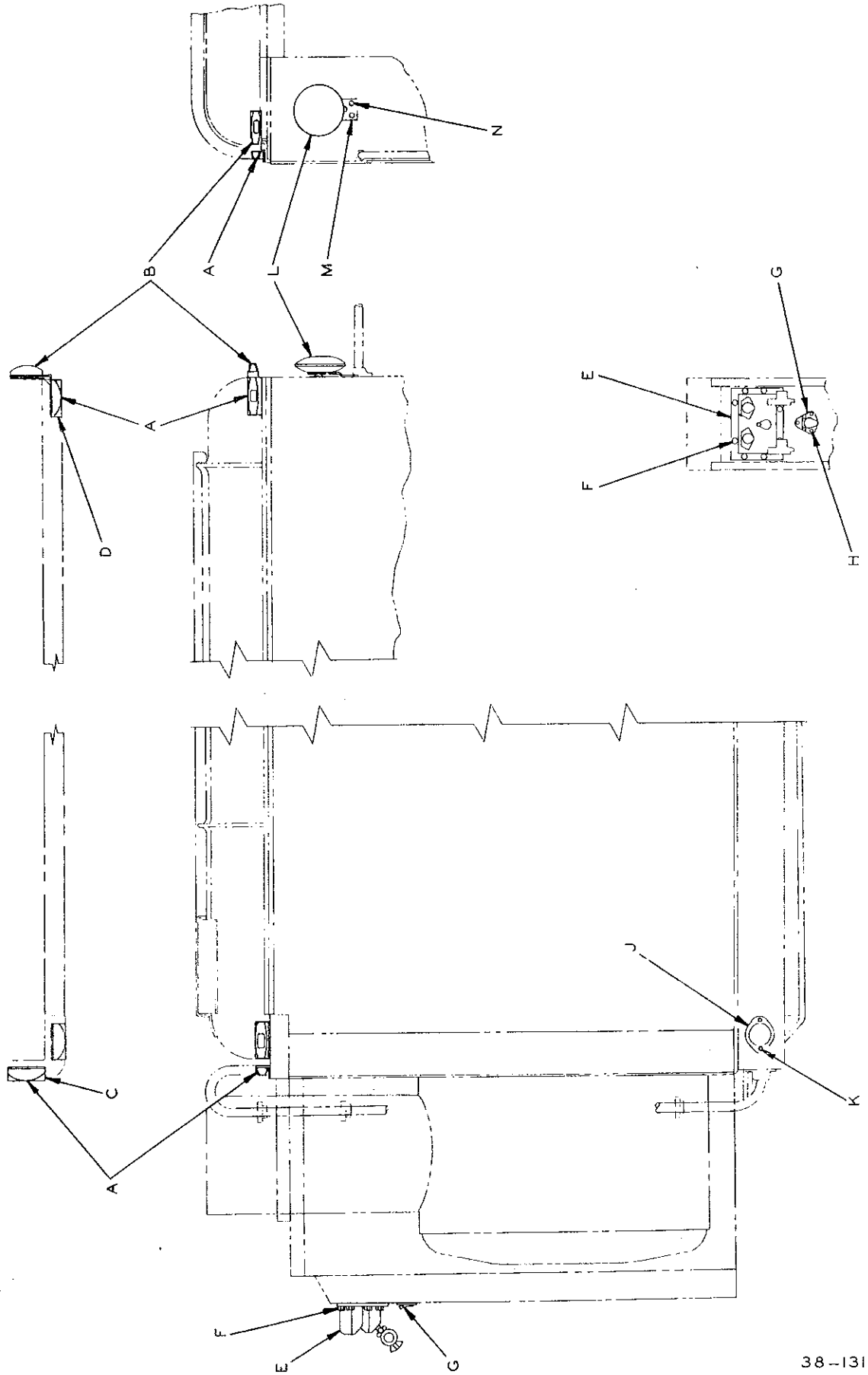
CAB HARNESS & CLAMP ARRANGEMENT





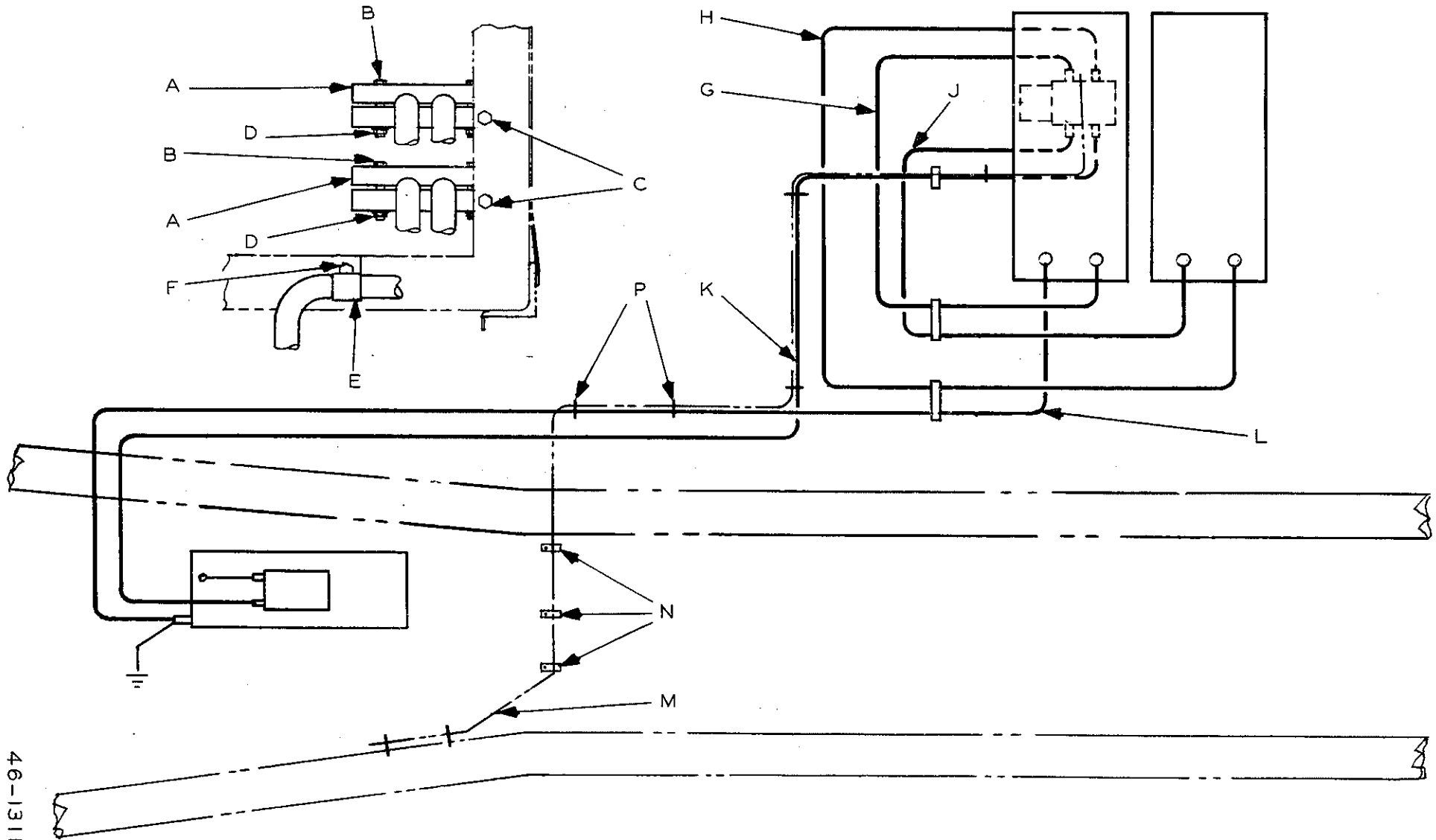
38-1315-9

MARKER LAMP & VENT AIR SCOOP ARR'G'T.



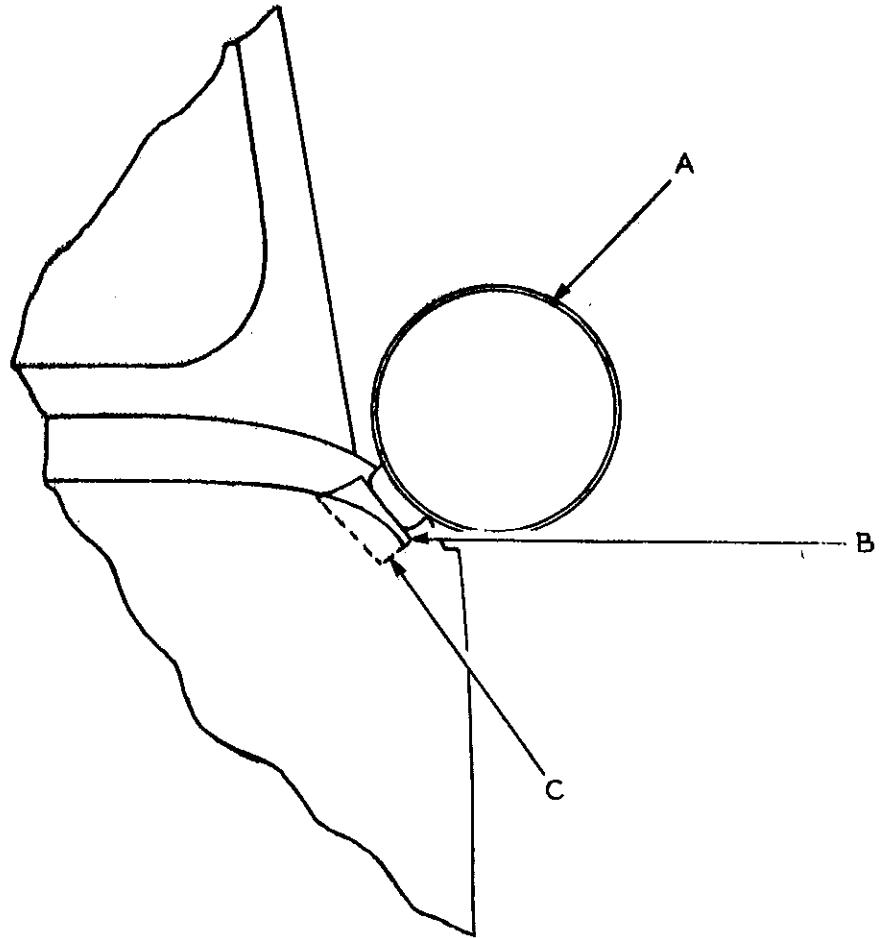
LAMP & REFLECTOR MOUNTING ARRANGEMENT

IK



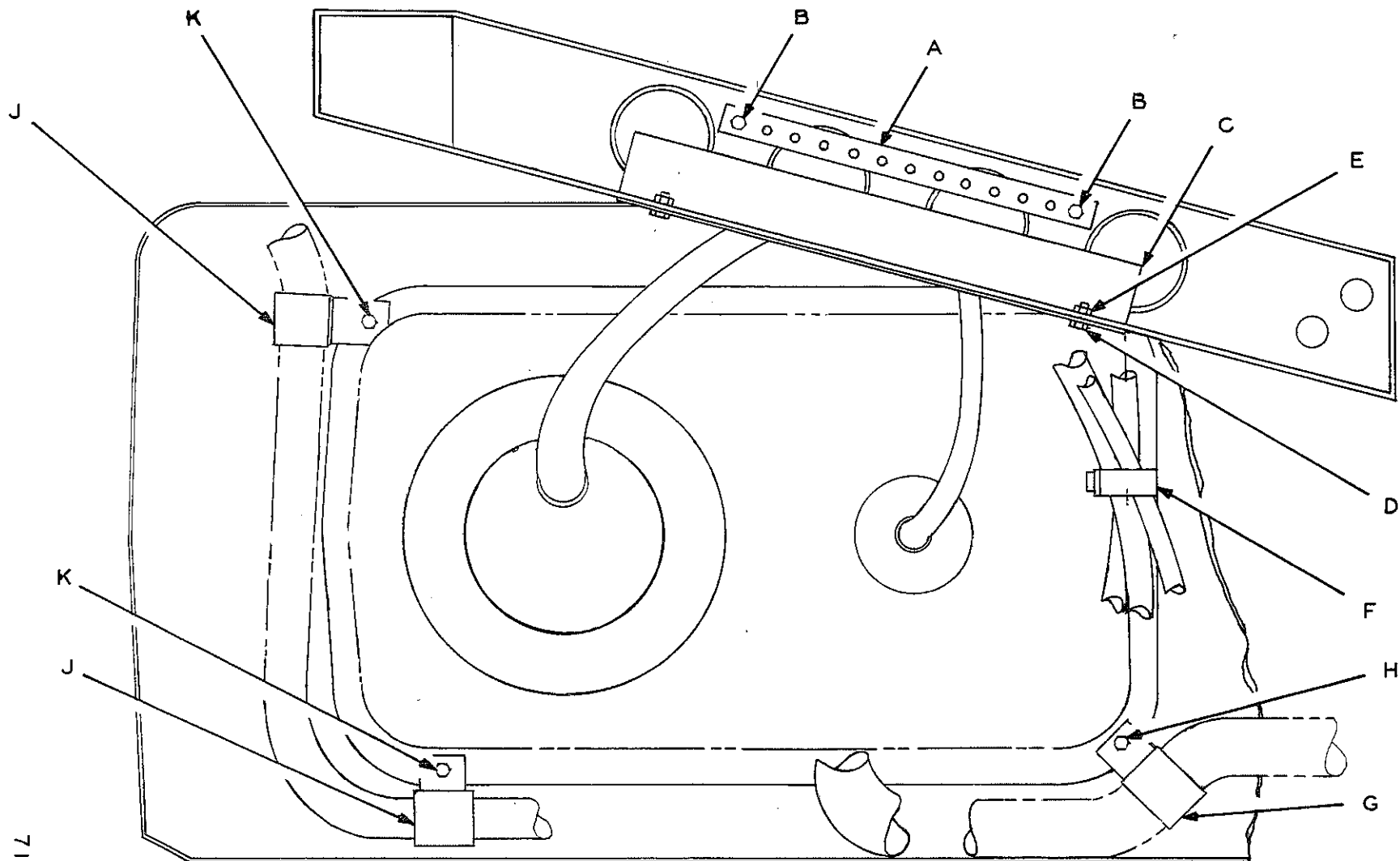
BATTERY CABLE ARRANGEMENT

46-1311-3



47-1315-14

FRONT DIRECTIONAL SIGNAL  
MOUNTING ARRANGEMENT



71-1318-7

HEADLAMP JUNCTION BLOCK MOUNTING & CABLE ROUTING ARRGT.



Illustration #1-1311-65.

KEY	PART NUMBER	DESCRIPTION	NO. REQ.
		<u>SECTION 107A - 1MKA 5220</u>	
-	32MKA 148	BOX ASSEMBLY, Battery	2
A	32MK 482	Each Includes: BOX, Upper Half	1
B	8QM 11	Includes: CATCH	1
C		Attaching Parts: RIVET, stl. button hd. 3/16 x 3/8(24AX 151)	2
D	32MK 4105	BOX, Lower Half	1
E	3QM 117	Includes: LATCH	1
F		Attaching Parts: SCREW, machine rd. Phillips hd. #10-24 NC x 1/2 (130AX 223)	2
G		NUT, hex. Stl. #10-24 NC (53AX 1)	2
H		WASHER, Lock, #10 I.D.(36AX 14)	2
J	8MK 344P2	FRAME, Battery Hold Down	2
K	96AX 133	Attaching Parts: ROD	4
L		NUT, hex. 5/16-24 NF (20AX 2)	16
M		WASHER, Lock, 5/16 I.D.(36AX 22)	8
N	2MK 46AP1	BATTERY, (Auto-Lite)(12 Volt)	2
P	813AX 8	RUBBER, Battery Cable Clamp	2
Q	13MS 21	CLAMP, Battery Cable	4
R		Attaching Parts: SCREW, cap, 1/4-28 NF x 1-3/4 (3/4"thd.)(1AX 30)	16
S		NUT, hex. 1/4-28 NF (20AX 1)	16
T		WASHER, Lock, 1/4 I.D.(36AX 1)	16
U	65RU 1340	PIN, Sliding Tray Stop	4
V		Attaching Parts: COTTER PIN, stl. 3/32 x 3/4 (29AX 43)	4
W	11MK 510	BRACKET, COMPLETE, Battery Sliding Tray Support	1
X		Attaching Parts: SCREW, cap, 5/8-18 NF x 1-3/4 (1-1/2"thd.)(1AX 50)	4
Y		SCREW, cap, 5/8-18 NF x 1-1/2 (Full thd.)(1AX 231)	2
Z		NUT, hex. 5/8-18 NF (20AX 7)	6
AA		WASHER, Lock, 5/8 I.D.(36AX 7)	6
AB	73RU 21700	BRACKET COMPLETE, Battery Brace	1
AC		Attaching Parts: SCREW, cap, 3/8-24 NF x 3 (1"thd.)(1AX 24)	1
AD		SCREW, cap, 3/8-24 NF x 1 (Full thd.)(1AX 35)	1
AE		NUT, hex. 3/8-24 NF (20AX 3)	2
AF		WASHER, Lock, 3/8 I.D.(36AX 3)	1
AG	37AX 7	WASHER, Plain	1
AH	35AX 1176	SPACER	1
AJ	5CLA 163P2	PIN, CHAIN & RING ASSEMBLY, Battery Box Tray Lock	4
AK	65RU 1200	Each Consists of: PIN	1
AL	70AX 10	RING	1
AM	71AX 8	CHAIN	1
AN		Attaching Parts: SCREW, machine rd. Phillips hd. #8-32 NC x 3/8(130AX 206)	2
AP		SCREW, machine rd. Phillips hd. #8-32 NC x 7/8(130AX 208)	1
AQ		NUT, hex. stl. #8-32 NC (53AX 2)	3
AR		WASHER, Lock, #8 I.D.(36AX 63)	3
AS	37AX 438	WASHER, Plain	1
AT	73RU 3431P1	COVER BRACKET COMPLETE, Series Parallel & Magnetic Switch	1
AU		Attaching Parts: SCREW, cap, 1/4-28 NF x 3/4 (Full thd.)(1AX 374)	6
AV		NUT, hex. 1/4-28 NF (20AX 1)	6
AW		WASHER, Lock, 1/4 I.D.(36AX 1)	6
AX	1MR 3146	SWITCH, Series Parallel & Magnetic	1
AY		Attaching Parts: SCREW, cap, 1/4-28 NF x 5/8(Full thd.)(1AX 8)	6
AZ		WASHER, Lock, 1/4 I.D.(36AX 1)	6

4/27/65 , ejm-mes

KEY	PART NUMBER	DESCRIPTION	NO. REQ.
		<u>SECTION 107A - 1MKA 5220(Cont.)</u>	
BA	58RU 3131	COVER COMPLETE, Series Parallel & Magnetic Switch	1
		Attaching Parts:	
BB		SCREW, cap, 1/4-28 NF x 5/8(Full thd.)(1AX 8)	4
BC		NUT, hex. 1/4-28 NF (20AX 1)	4
BD		WASHER, Lock, 1/4 I.D.(36AX 1)	4
BE	37AX 471	WASHER, Plain	4
BF	39MR 31P332	CABLE, Switch Jumper	1
BG	39MR 31P307	CABLE, Switch Ground	1
BG-1	83AX 454	CLAMP, Cable	2

Illustration #46-1311-3.

KEY	PART NUMBER	DESCRIPTION	NO. REQ.
<u>SECTION 62A - 46MKA 346</u>			
A	13MS 21	CLAMP, Battery Cable	2
B		Attaching Parts:	
C		SCREW, cap, 1/4-28 NF x 2 (3/4"thd.)(1AX 399)	4
D		SCREW, cap, 1/4-28 NF x 1-3/8 (3/4"thd.)(1AX 48)	2
D-1		NUT, hex. 1/4-28 NF (20AX 1)	6
E	83AX 566	WASHER, Lock, 1/4 I.D.(36AX 1)	6
F		CLAMP, Battery Cable	1
F-1		Attaching Parts:	
F-2		SCREW, cap, 1/4-28 NF x 3/4 (Full thd.)(1AX 374)	1
G	46MK 259P1	NUT, hex. 1/4-28 NF (20AX 1)	1
H	46MK 259P3	WASHER, Lock, 1/4 I.D.(36AX 1)	1
J	46MK 259P2	CABLE, Battery #1 Positive	1
K	46MK 259P5	CABLE, Battery #2 Positive	1
L	46MK 259P4	CABLE, Battery #2 Negative Ground	1
M	44MOA 239	CABLE, Starting Motor Positive	1
N	83AX 392	CABLE, Battery #1 to Starting Motor Ground	1
P	78MR 12	CABLE ASSEMBLY, Junction Block to Series Parallel Switch	1
		CLAMP, Junction Block to Series Parallel Switch Cable Assembly	1
		CLAMP, Junction Block to Series Parallel Switch Cable Assembly Band	7

# MACK TRUCK-TRACTOR PARTS BOOK

## GROUP #5B - HEADLAMP MOUNTING ARRANGEMENT SECTION 16

NOTE: Key Letters Indicated on Illustration #2-1315-15.

KEY	PART NUMBER	DESCRIPTION	NO. REQ.
<u>SECTION 16A - 2MOA 375</u>			
A	116QS 356	PANEL, Headlamp Trim	2
B		Attaching Parts: SCREW, machine truss Phillips hd. #10-32 NF x 1/2 (130AX 1314)	12
C	53QY 479	PANEL COMPLETE, Headlamp Trim Mounting	1
D		Attaching Parts: SCREW, machine truss Phillips hd. #10-24 NC x 1/2 (130AX 1232)	12
E	155AX 15	NUT, Speed	12
F	76MO 213AP1	LAMP, Parking 12 Volt (For Components, see back of Group)	2
G		Attaching Parts: SCREW, machine, flat Phillips hd. #6-32 NC x 3/8 (130AX 33)	4
H	155AX 32	NUT, Speed	4
J	2MO 46P4	HEADLAMP ASSEMBLY, 12 Volt (For Components, see back of Group)	2
K		Attaching Parts: SCREW, tapping type B, rd. Phillips hd. #8-18 x 1/2 (133AX 107)	8
L	155AX 13	NUT, Speed	8
<u>SECTION 16B - 2MOA 379</u>			
U Models Same as 2MOA 375(Section 16A)Except			
A	116QS 373	PANEL, Headlamp Trim	2
C	Omit		
D	Omit		
E	155AX 52	NUT, Retainer	12
F	76MO 215	LAMP, Parking (12 Volt) (For Components, see back of Group)	2
F-1	41MO 3114	BULB, 12V Parking Lamp	2
J	2MO 46P5	HEADLAMP ASSEMBLY, 12 Volt (For Components, see back of Group)	2
	30MR 272	MOUNTING, H/L Cable	1
<u>SECTION 16C - 2MOA 19</u>			
Same as Section 16A Except			
A	116QS 265	PANEL HEADLAMP Liner(R.H.)	1
A	116QS 266	PANEL HEADLAMP Liner (L.H.)	1

**MACK TRUCK-TRACTOR PARTS BOOK**

**GROUP 50 SECTION 26**

**TITLE DIRECTIONAL SIGNAL, STOP & TAIL LAMP MOUNTING ARRANGEMENT**

Illustration #17-1315-11.

KEY	PART NUMBER	DESCRIPTION	NO. REQ.
<u>SECTION 26A - 17MOA 49P1</u>			
A	15MO 315	BRACKET, Directional Signal Stop & Tail Lamp Mounting R.H.	1
B	15MO 316	BRACKET, Directional Signal Stop & Tail Lamp Mounting L.H.	1
C	17MO 313P2	LAMP, Stop & Tail R.H.	2
D	17MO 313P1	LAMP, Warning L.H.	2
E	47MO 241P1	SIGNAL, Rear Directional	2
F	15MO 250	BRACKET, Tail Lamp	1
Attaching Parts:			
G		SCREW, cap, 1/4-28 NF x 1-1/8 (3/4"thd.)(1AX 403)	2
H		NUT, hex. 1/4-28 NF (20AX 1)	2
H-1		WASHER, Lock, 1/4 I.D.(36AX 1)	2
H-2	35AX 250	SPACER	2
J	17MO 213	LAMP, Stop & Tail	1
K	111QL 34	BRACKET, License Plate & Stop & Tail Lamp Mounting	1
<u>SECTION 26B - 17MOA 49P2</u>			
Same as 17MOA 49P1 (Section 26A) Except			
D	Omit		

**MACK TRUCK-TRACTOR PARTS BOOK**  
**TITLE STOP & TAIL LAMP MOUNTING ARRANGEMENT**

**GROUP 5C SECTION 28**

Illustration #17-1315-12.

KEY	PART NUMBER	DESCRIPTION	NO. REQ.
<u>SECTION 28A - 17MOA 51</u>			
A	33MO 42	GUARD, Stop & Tail Lamp L.H.	1
B	33MO 41	GUARD, Stop & Tail Lamp R.H.	1
C		Attaching Parts:	
C-1		SCREW, cap, 1/4-28 NF x 3/4 (Full thd.)(LAX 374)	22
C-2		NUT, hex. 1/4-28 NF (20AX 1)	22
D	33MO 331	WASHER, Lock, 1/4 I.D.(36AX 1)	22
D		GUARD, Tail Lamp (Intermediate)	1
E		Attaching Parts:	
E-1		SCREW, cap, 1/4-28 NF x 3/4 (Full thd.)(LAX 374)	8
E-2		NUT, hex. 1/4-28 NF (20AX 1)	8
F	15MO 41	WASHER, Lock, 1/4 I.D.(36AX 1)	8
G	15MO 42	BRACKET, Tail Lamp Mounting R.H.	1
H		BRACKET, Tail Lamp Mounting L.H.	1
J		Attaching Parts:	
J-1		SCREW, cap, 7/16-20 NF x 1-1/2 (1-1/8"thd.)(LAX 103)	2
J-2		SCREW, cap, 7/16-20 NF x 1-1/4 (1-1/8"thd.)(LAX 70)	2
K	14MO 131	NUT, hex. 7/16-20 NF (20AX 4)	4
K-1		WASHER, Lock, 7/16 I.D.(36 X 4)	4
K-2		LAMP, Tail	2
K-3	35AX 553	Attaching Parts:	
L	17MO 313P2	SCREW, cap, 1/4-28 NF x 3/4 (Full thd.)(LAX 374)	2
L-1		SCREW, cap, 1/4-28 NF x 1 (3/4"thd.)(LAX 126)	4
L-2		SPACER	4
L-3	35AX 323	LAMP, Stop	2
M	47MO 241	Attaching Parts:	
N	14MO 366	SCREW, cap, 1/4-28 NF x 3/4 (Full thd.)(LAX 374)	6
N-1		NUT, hex. 1/4-28 NF (20AX 1)	6
N-2		WASHER, Lock	6
N-3		SIGNAL, Rear Directional	2
N-4	15MO 124	LAMP, Triple Identification	1
P	56MO 19002P1	Attaching Parts:	
Q		SCREW, machine rd. Phillips hd. #10-32 NF x 5/8(130AX 803)	4
Q-1		NUT, hex. stl. #10-32 NF (53AX 6)	4
Q-2		WASHER, Lock, #10 I.D.(36AX 14)	4
		BRACKET, Tail Lamp	2
		REFLECTOR (Red)	4
		Attaching Parts:	
		SCREW, cap, 1/4-28 NF x 3/4 (Full thd.)(LAX 374)	8
		NUT, hex. 1/4-28 NF (20AX 1)	8
		WASHER, Lock, 1/4 I.D.(36AX 1)	8

# MACK TRUCK-TRACTOR PARTS BOOK

GROUP #5E- ELECTRICAL EQUIPMENT ARRANGEMENT ON ENGINE TUNNEL  
SECTION 58

NOTE: Key Letters Indicated on Illustration #1-1318-67.

KEY	PART NUMBER	DESCRIPTION	NO. REQ.
		<u>SECTION 58A - 1MRA 4133P1</u>	
A		PANEL, Engine Compartment Top (See Group 15AR)	
B	2MR 219	RELAY, Horn 12 Volt	1
C		Attaching Parts: SCREW, machine rd. Phillips hd. 1/4-28 NF x 1/2 (130AX 829)	2
C-1		WASHER, Lock, medium 1/4 I.D.(36AX 1)	2
D		HARNESSE, Cab Wiring (See Group 5K)	
E	83AX 563	CLAMP, Cab Wiring Harness	1
F	91MRA 39P22	BREAKER ASSEMBLY, Bracket & Circuit	1
F-1	91MR 110AP2	Includes: BREAKER, Circuit, 20 Amps.	8
F-2		NUT, hex. brass #10-32 NF Circuit Breaker Terminal (53AX 9)	16
F-3	35AX 243	WASHER, Lock, Circuit Breaker Terminal	32
G		Attaching Parts: SCREW, machine rd. Phillips hd 1/4-28 NF x 1/2 (130AX 829)	2
G-1		WASHER, Lock, medium 1/4 I.D.(36AX 1)	2
H	Not Used		
J	Not Used		
J-1	Not Used		
K	27RU 373	PLATE, Circuit Breaker Name	1
L		Attaching Parts: SCREW, machine rd. Phillips hd. #4-40 NC x 7/16 (130AX 175)	2
L-1	26AX 55	RIVET, special blind threaded #4-40 NC (Rivnut)	2
M	87AX 1	GROMMET, Engine Tunnel	1
N	71MRA 35P7	BLOCK ASSEMBLY, Engine Tunnel Junction	1
N-1		Includes: NUT, hex. brass #10-32 NF (53AX 9)	7
N-2	35AX 243	WASHER, Lock	14
P		Attaching Parts: SCREW, machine rd. Phillips hd. #10-32 NF x 1 (130AX 806)	2
Q		NUT, hex stl. #10-32 NF (53AX 6)	2
Q-1		WASHER, Lock, #10 I.D.(36AX 14)	2
R	83AX 595	CLAMP, Cab Wiring Harness	1
		<u>SECTION 58B - 1MRA 4133P2</u> Same as 1MRA 4133P1(Section 58A)Except	
M	49AX 111	PLUG, Engine Tunnel	1

KEY	PART NUMBER	DESCRIPTION	NO. REQ.
		<p align="center"><u>SECTION 58C - 1MRA 4133P3</u> Same as 1MRA 4133P1 (Section 58A) except</p>	
H	---	<p>BREAKER ASSEMBLY, Glow Plug Circuit (See Group 1)</p>	1
J		<p>Attaching Parts: SCREW, tapping type B, rd. Phillips hd. #8-18 x 3/4 (133AX 109)</p>	2
J-1		<p>WASHER, Lock, #8 I.D. (36AX 63)</p>	2
		<p align="center"><u>SECTION 58D - 1MRA 4147</u> Same as 1MRA 4133P1 (Section 58A)</p> <p align="center">NO PART NUMBER CHANGES.</p>	



# MACK TRUCK-TRACTOR PARTS BOOK

GROUP #5E - TILT-RAY SWITCH MOUNTING ARRANGEMENT  
SECTION 64

LINE NO.	PART NUMBER	DESCRIPTION	NO. REQ.
		<u>SECTION 64A - 1MRA 3182</u>	
1	1MR 3157	SWITCH, Tilt-Ray	1
2		Attaching Parts: SCREW, cap, hex.hd. 1/4-20 NC x 1/2 (Full thd.)(4AX 6)	2
3		WASHER, Lock, medium 1/4 I.D.(36AX 1)	2
		<u>SECTION 64B - 1MRA 3191</u>	
		Same as 1MRA 3182(Section 64A)Except	
2		SCREW, machine rd. Phillips hd. 1/4-20 NC x 3/8 (130AX 254)	2
4	37AX 471	WASHER, Flat	2
5	32MR 241	BRACKET, TiltRay Switch Mounting	1
6		Attaching Parts: SCREW, tapping type B, rd. Phillips hd. #10-16 x 3/8 (133AX 116)	4
		<u>SECTION 64C - 1MRA 3200</u>	
		"U" & "R" Models Same as 1MRA 3182(Section 64A)Except	
1	1MR 3198	SWITCH, Tilt Ray	1
2		SCREW, machine rd. Phillips hd. #10-32 NF x 5/8 (130AX 803)	2
3		WASHER, Lock, #10 I.D.(36AX 14)	2
		<u>SECTION 64D - 1MRA 3208</u>	
		R Model Same as 1MRA 3182(Section 64A)Except	
1	1MR 3198	SWITCH, Tilt Ray	1
2		SCREW, machine rd. Phillips hd. #10-32 NF x 5/8(130AX 803)	2
3		WASHER, Lock, #10 I.D.(36AX 14)	2

LINE NO.	PART NUMBER	DESCRIPTION	NO. REQ.
<u>SECTION 75A - 1MRA 1277</u>			
1	1MR 1240	SWITCH, Starter Interlock	1
		Attaching Parts:	
2		WASHER, Lock, Light 3/4 I.D.(36AX 84)	1
3	76MS 12	ADAPTER, Starter Interlock Switch	1
		Attaching Parts:	
4		SCREW, machine fill. Phillips hd. 1/4-20 NC x 1/2 (130AX 492)	2
5	35AX 323	WASHER	2
6	29MR 123	COVER, Starter Interlock Switch Rubber	1
7	526AX 6	CABLE, Interlock Switch to Ground	1
8	86AX 118	TERMINAL, Interlock Switch to Ground Cable (At Switch)	1
9	86AX 118	TERMINAL, Interlock Switch to Ground Cable (At Cable End)	1
10	160AX 387	INSULATOR, Switch Cable Terminals	4
11	526AX 6	CABLE, Interlock Switch to Service Park Switch	1
12	86AX 118	TERMINAL, Interlock Switch to Service Park Switch (At Switches)	2
13	677AX 4	LOOM, Switch Cables	1
<u>SECTION 75B - 1MRA 3206</u>			
Same as 1MRA 1277(Section 7A)Except (MB Model)			
2	35AX 521	WASHER	4
4		SCREW, machine fill. Phillips hd. 1/4-20 NC x 1(130AX496)	2
7			
Thru 13	omit		

LINE NO.	PART NUMBER	DESCRIPTION	NO. REQ.
<u>SECTION 76A - 1MRA 4159</u>			
1	84RU 44	COVER, Shunt & Junction Block	1
		Attaching Parts:	
2		SCREW, machine rd. Phillips hd. #8-32 NC x 1/2(130AX 205)	4
3		WASHER, Lock, #8 I.D.(36AX 63)	4
4	71MRA 35P5	JUNCTION BLOCK ASSEMBLY	2
		Attaching Parts:	
5		SCREW, machine rd. Phillips hd. #10-32 NF x 1-3/4(130AX809)	4
6		WASHER, Lock, #10 I.D.(36AX 14)	4
7	35AX 1170	SPACER	4
8	95MR 26	SHUNT, Ammeter	1
		Attaching Parts:	
9		NUT, Std. hex. 1/4-20 NC (22AX 19)	2
10		WASHER, Lock, 1/4 I.D.(36AX 1)	2
11	37AX 471	WASHER, Plain	2
12	27MY 219	COVER COMPLETE, Gear Shift Control Bracket	1
13	813AX 7	MOULDING, Junction Block Access Hole	1

LINE NO.	PART NUMBER	DESCRIPTION	NO. REQ.
<u>SECTION 77A - 1MRA 552</u>			
1	32MRA 37	BRACKET, Air Horn Switch	1
2	32MRA 38	BRACKET, Siren Switch	1
Attaching Parts:			
3		SCREW, cap, 1/4-28 NF x 7/8(3/4"thd.)(1AX 32)	8
4		NUT, hex. 1/4-28 NF (20AX 1)	8
5		WASHER, Lock, 1/4 I.D.(36AX 1)	8
6	1ME-1256PL	SWITCH, Air Horn & Siren	2
Attaching Parts:			
7		SCREW, cap, 1/4-28 NF x 5/8(Full thd.)(1AX 8)	4
8		NUT, hex. 1/4-28 NF (20AX 1)	4
9		WASHER, Lock, 1/4 I.D.(36AX 1)	4

LINE NO.	PART NUMBER	DESCRIPTION	NO. REQ.
		<u>SECTION 78A - 1MRA 553</u>	
1	32MRA 43	BRACKET, Air Horn & Siren Switch Mounting	1
2	1MR 1256P1	SWITCH, Air Horn & Siren	2
		Attaching Parts:	
3		SCREW, cap, 1/4-28 NFx 5/8(Full thd.)(1AX 8)	4
4		NUT, hex. 1/4-28 NF (20AX 1)	4
5		WASHER, Lock, 1/4 I.D.(36AX 1)	4



TITLE ELECTRICAL EQUIPMENT ARRANGEMENT(TOP OF TUNNEL)

Illustration #1-1318-77.

KEY	PART NUMBER	DESCRIPTION	NO. REQ.
		<u>SECTION 82A - 1MRA 551</u>	
A	2MR 115	RELAY	1
B	71MR 156	JUNCTION BLOCK	1
C	91MR 33P26	BREAKER, Circuit	1
D	91MR 19006P8	BREAKER, Circuit	1
E		Attaching Parts: SCREW, thd. cutting shakeproof type rd. Phillips hd. #8-32 x 3/8(239AX 133)	2
F	91MRA 39F1	BREAKER ASSEMBLY, Circuit	1
G	87AX 1	GROMMET, Wiring Harness	2
H	2MR 219	RELAY, Horn	1
J	71MRA 35F12	JUNCTION BLOCK ASSEMBLY	1
J-1		Includes: NUT, hex. brass #10-32 NF (53AX 9)	12
J-2	35AX 243	WASHER, Lock	12
K		Attaching Parts: SCREW, machine rd. Phillips hd. #10-32 NF x1(130AX 806)	2
K-1		NUT, hex. stl. #10-32 NF (53AX 6)	2
K-2		WASHER Lock, #10 I.D.(36AX 14)	2
L	46MO 331	FLASHER	1
M	21AX 425	Attaching Parts: NUT (#10-32 NF)	2
M-1	35AX 1023	WASHER Lock	2
N	50MO 215	BRACKET, Flasher Mounting	1
P		Attaching Parts: SCREW, tapping type A, Pan Phillips hd. #8-16 x 1/2 (131AX 244)	2
P-1	35AX 1023	WASHER, Lock	2
Q	39MR 31F105	CABLE, Jumper	1
Q-1	41MR 3389	HARNES, Step Lamp Wiring	1
Q-2	4MR 2129P1	PLATE, Warning Light Name	1

Illustration #7-1318-2.

KEY	PART NUMBER	DESCRIPTION	NO. REQ.
<u>SECTION 2A - 7MRA 113P1</u>			
A	7MR 29P1	BUZZER, Low Air Pressure (6 Volt)	1
Attaching Parts:			
B		SCREW, machine rd. Phillips hd. 1/4-28 NF x 5/8(130AX 830)	2
C		NUT, hex. 1/4-28 NF (20AX 1)	2
C-1		WASHER, Lock, 1/4 I.D.(36AX 1)	2
D		BAR, Lower Windshield (See Group 15G)	
<u>SECTION 2B - 7MRA 113P2</u>			
Same as 7MRA 113P1(Section 2A)Except			
A	7MR 29P2	BUZZER, Low Air Pressure (12 Volt)	1
<u>SECTION 2C - 7MRA 112P1</u>			
Same as 7MRA 113P1(Section 2A)Except			
B		SCREW, Tapping type B, rd. Phillips hd. 1/4-14 x 3/8 (133AX 133)	2
C	Omit		
D	Omit		
<u>SECTION 2D - 7MRA 112P2</u>			
Same as 7MRA 113P1(Section 2A)Except			
A	7MR 29P2	BUZZER, Low Pressure Indicator (12 V.)	1
B		SCREW, tapping type B, rd. Phillips hd. 1/4-14 x 3/8 (133AX 133)	2
C	Omit		
D	Omit		
<u>SECTION 2E - 7MRA 116</u>			
Same as 7MRA 113P1(Section 2A)Except			
A	7MR 29P2	BUZZER, Low pressure indicator (12 V.)	1
B		SCREW, tapping type B, rd. Phillips hd. 1/4-14 x 3/8 (133AX 133)	2
C	Omit		
D	Omit		
<u>SECTION 2F - 7MRA 117</u>			
Same as 7MRA 113P1(Section 2A)Except			
A	7MR 29P2	BUZZER, Low Oil & High Temperature Indicator	2
B		SCREW, Tapping type A, rd. Phillips hd. #14-10 x 1/2 (131AX 116)	4
C	Omit		4
C-1	35AX 908	WASHER	4
D	Omit		
<u>SECTION 2G - 7MRA 213</u>			
Same as 7MRA 113P1(Section 2A)Except			
A	7MR 29P2	BUZZER, Low Air Pressure	1
B		SCREW, Flat, sltd. hd. tapping type A, #14 x 1/2(75AX 300)	2
C	Omit		
D	Omit		
<u>SECTION 2H - 7MRA 214</u>			
Same as 7MRA 113P1(Section 2A)Except			
A	7MR 29P2	BUZZER, Low Pressure Indicator (12V.)	1
B		SCREW, machine rd. Phillips hd. 1/4-20 NC x 3/4(130AX 258)	2
C		NUT, Std. hex.1/4-20 NC (22AX 19)	2
D	Omit		

KEY	PART NUMBER	DESCRIPTION	NO. REQ.
<u>SECTION 2J - 7MRA 218</u>			
Same as 7MRA 113Pl (Section 2A) Except			
A	7MR 29P2	BUZZER, Low Pressure Indicator (12 V.)	1
B		SCREW, pan slotted hd. tapping type A, #14 x 1/2 (75AX 10)	2
C	Omit		
C-1		WASHER, Lock, Light 1/4 I.D. (36AX 31)	2
D	Omit		
<u>SECTION 2K - 7MRA 221</u>			
Same as 7MRA 113Pl (Section 2A) Except			
A	7MR 29P2	BUZZER, Low Air Pressure	1
B		SCREW, tapping type B, rd. Phillips hd. 1/4-14 x 3/8 (133AX 133)	2
C	Omit		
D	Omit		
<u>SECTION 2L - 7MRA 224</u>			
Same as 7MRA 113Pl (Section 2A) Except			
A	7MR 29P2	BUZZER, Low Air, High Temperature & Low Oil Indicator (12 Volt)	3
B		SCREW, pan, slotted hd. tapping type A, #14 x 1/2 (75AX 10)	6
C	Omit		
C-1		WASHER, Lock, 1/4 I.D. (36AX 31)	6
D	Omit		
<u>SECTION 2M - 7MRA 225</u>			
Same as 7MRA 113Pl (Section 2A) Except			
A	7MR 29P2	BUZZER, Low Air High Temperature (12 Volt)	2
B		SCREW, Pan slotted hd. tapping type A, #14 x 1/2 (75AX 10)	4
C	Omit		
C-1		WASHER, Lock, 1/4 I.D. (36AX 31)	4
D	Omit		
<u>SECTION 2N - 7MRA 226</u>			
Same as 7MRA 113Pl (Section 2A) Except			
A	7MR 29P2	BUZZER, Low Air Pressure (12 Volt)	1
B		SCREW (See Group 5L)	
C	Omit		
C-1		WASHER (See Group 5L)	
D	Omit		
<u>SECTION 2P - 7MRA 222</u>			
Same As 7MRA 113Pl (Section 2A) Except			
A	7MR 29P2	BUZZER, Low Air Pressure (12 V.)	1
B		SCREW, Tapping Type #10-16 x 3/8 (133AX 116)	2
C-1		WASHER, Lock #10 I.D. (36AX 14)	2
<u>SECTION 2Q - 7MRA 118</u>			
Same as 7MRA 113Pl (Section 2A) Except			
A	7MR 29P2	BUZZER, Low Air Pressure (12 V.)	1
B		SCREW, tapping type #10-16 x 3/8 (133AX 116)	2
C-1	35AX 908	WASHER	2



# MACK TRUCK-TRACTOR PARTS BOOK

## GROUP #5J - CLEARANCE LAMP MOUNTING ARRANGEMENT SECTION 9

LINE NO.	PART NUMBER	DESCRIPTION	NO. REQ.
<u>SECTION 9A - 38MOA 235P1</u>			
1	38MO 27P9	LAMP, Corner Clearance - R.H. & L.H. (For Components, See Back of Group)	2
2		Attaching Parts: SCREW, Machine, rd. Phillips hd. #10-32 NF x 1 (130AX 806)	4
3	26AX 111	RIVNUT	4
4		WASHER, Lock, medium #10 I.D. (36AX 14)	4
5	41MO 31P8	BULB, Clearance Lamp	2
<u>SECTION 9B - 38MOA 235P2</u> Same as 38MOA 235P1 (Section 9A) Except			
1	38MO 316	LAMP, Corner Clearance R.H. & L.H. (For Components, see back of Group)	2
2		Attaching Parts: SCREW, machine flat Phillips hd. #10-32 NF x 1-1/4 (130AX 659)	2
2A		SCREW, machine flat Phillips hd. #10-32 NF x 1-1/2 (130AX 660)	2
4	Omit		2
5	41MO 31P1	BULB, Clearance Lamp	2
<u>SECTION 9C - 38MOA 238</u> U Series (L.H. & R.H. Mounting) Same as 38MOA 235P1 (Section 9A) Except			
1	38MO 316P1	LAMP, Corner Clearance (R.H. & L.H.) (For Components, see back of Group)	2
2		SCREW, machine flat Phillips hd. #10-32 NF x 1-1/4 (130AX 659)	2
2A		SCREW, machine rd. Phillips hd. #10-32 NF x 1-1/2 (130AX 660)	2
4	87AX 14	GROMMET	2
5		BULB, Clearance Lamp (Included in Lamp Component)	2

# MACK TRUCK-TRACTOR PARTS BOOK

GROUP #5J - MARKER LAMP & VENT AIR SCOOP ARRANGEMENT  
SECTION 10

NOTE: Key Letters Indicated on Illustration #38-1315-9.

KEY	PART NUMBER	DESCRIPTION	NO. REQ.
<u>SECTION 10A - 38MOA 480P1</u>			
A	38MOA 27P9	LAMP, Marker (For Components, see back of Group)	3
B		Attaching Parts: SCREW, Machine, rd. Phillips hd. #10-32 NF x 1 (130AX 806)	6
B-1	26AX 111	RIVET, Flat hd. open end special threaded #10-32 NF (Aluminum)	6
B-2		WASHER, Lock, medium #10 I.D. (36AX 14)	6
C	87AX 14	GROMMET, Marker Lamp Wiring	3
C-1	41MO 31P8	BULB, Marker Lamp (4 C.P.-12V.)	3
D	20QU 45	PANEL, Roof Vent Air Scoop	1
<u>SECTION 10B - 38MOA 480P2</u> Same as 38MOA 480P1 (Section 10A) Except			
A	38MO 316	LAMP, Marker (For Components, see back of Group)	3
B		SCREW, machine flat Phillips hd. #10-32 NF 1-1/4 (130AX 659)	3
B		SCREW, machine flat Phillips hd. #10-32 NF x 1-1/2 (130AX 660)	3
B-2	Omit		
C-1	41MO 31P1	BULB, Marker Lamp	3
D	20QU 46	PANEL, Roof Vent Air Scoop	1
<u>SECTION 10C-38MOA 320</u> U Model Same as 38MOA 480P1 (Section 10A) Except			
A	38MOA 316P1	LAMP, Marker (For Components, see back of Group)	3
B		Attaching Parts: SCREW, machine rd. Phillips hd. #10-32 NF x 1-1/4 (130AX 659)	3
B-1		SCREW, machine flat Phillips hd. #10-32 NF x 1-1/2 (130AX 660)	3
B-2	26AX 111	RIVET, flat hd. open end special threaded #10-32 NF (Alum.)	6
C-1	813AX 10	RUBBER SECTION, Marker Lamps	2

TITLE LAMP & REFLECTOR MOUNTING ARRANGEMENT

Illustration #38-1315-11.

KEY	PART NUMBER	DESCRIPTION	NO. REQ.
<u>SECTION 15A - 38MOA 483</u>			
A	38MO 239F1	LAMP, Marker (Amber)	6
B	38MO 239P2	LAMP, Marker (Red)	2
		Attaching Parts:	
B-1		SCREW, machine rd. Phillips hd. #10-32 NF x 5/8(130AX 803)	32
B-2		NUT, hex. stl. #10-32 NF (53AX 6)	32
B-3		WASHER, Lock, #10 I.D.(36AX 14)	32
B-4	87AX 14	GROMMET, Marker Lamp	8
C	50MO 217P2	BRACKET, Marker Lamp Mounting	4
		Attaching Parts:	
C-1		SCREW, cap, 1/4-20 NC x 7/8(3/4"thd.)(4AX 30)	8
C-2		NUT, hex. 1/4-20 NC (22AX 19)	8
C-3		WASHER, Lock, 1/4 I.D.(36AX 1)	8
D	50MO 46	BRACKET, Marker Lamp Mounting R.H.	1
D-1	50MO 45	BRACKET, Marker Lamp Mounting L.H.	1
		Attaching Parts:	
D-2		SCREW, cap, 1/4-20 NC x 7/8(3/4"thd.)(4AX 30)	4
D-3		NUT, hex. 1/4-20 NC (22AX 19)	4
D-4		WASHER, Lock, 1/4 I.D.(36AX 1)	4
E	33MR 344	BOX, Trailer Connections Nose	1
		Attaching Parts:	
F		SCREW, cap, 5/16-24 NF x 3/4 (Full thd.)(1AX 110)	8
F-1		NUT, hex. 5/16-24 NF (20AX 34)	8
G	33MR 1112	RECEPTACLE, Trailer	1
G-1	71RU 2613	SPACER, Trailer Receptacle	1
		Attaching Parts:	
H		SCREW, cap, 5/16-24 NF x 1-3/4 (7/8 thd.)(1AX 6)	3
H-1		NUT, hex. 5/16-24 NF (20AX 34)	3
J	50MO 19002P2	REFLECTOR (Amber)	6
		Attaching Parts:	
K		SCREW, tapping type B, rd. Phillips hd. 1/4-14 x 3/8 (133AX 133)	12
L	17MO 131	LAMP, Warning	2
M	Not used		
		Attaching Parts:	
N		SCREW, machine rd. Phillips hd. 1/4-28 NF x 5/8(130AX 830)	6
N-1		NUT, hex. 1/4-28 NF (20AX 1)	6
N-2		WASHER, Lock, 1/4 I.D.(36AX 1)	6
N-3	68MO 18	LAMP, Rear	2
N-4	1MR 1263	SWITCH, Rear Lamp	2
N-5	27RU 1560	PLATE, Rear Lamp Switch Name (On-Off)	2
N-6	41MO 350P1	LAMP, Body Side	4
		Attaching Parts:	
N-7		SCREW, machine flat Phillips hd. #8-36 NF x 1/2(130AX 637)	12
N-8		NUT, hex. stl. #8-36 NF (53AX 31)	12
N-9	35AX 242	WASHER, Lock	12
N-10	68MO 17	LAMP, Compartment	2
N-11	1MR 1291	SWITCH, High Pressure Deltic Engine Throttle	1
		Attaching Parts:	
N-12		SCREW, machine flat Phillips hd. 3/8-16 NE x 1-1/2(130AX130)	2
N-13		SCREW, machine rd. Phillips hd. 3/8-16NCx3/4(130AX 284)	2
N-14		NUT, hex. 3/8-16 NC (22AX 52)	4
N-15		WASHER, Lock, 3/8 I.D.(36AX 60)	4
N-16	89MS 112	VALVE, Solenoid, Deltic Engine Throttle	1
N-17	2MR 115	RELAY, Valve	1
N-18	2MR 219	RELAY, Valve	1
		Attaching Parts:	
N-19		SCREW, machine rd. Phillips hd. 1/4-28NFx5/8(130AX 830)	4
N-20		SCREW, machine rd. Phillips hd. 1/4-28NFx2(130AX 837)	2
N-21		SCREW, machine rd. Phillips hd. 1/4-28NFx1(130AX 833)	2
N-22		NUT, hex. 1/4-28 NF (20AX 1)	8
N-23		WASHER, Lock, 1/4 I.D.(36AX 31)	8
N-24	1MR 1292	SWITCH, Micro (Push Button)	1

Illustration #25-1315-7.

KEY	PART NUMBER	DESCRIPTION	NO. REQ.
<u>SECTION 16A - 25MOA 319</u>			
A	28MO 28P2	LAMP, Warning	1
B	55RU 219	CLEVIS, Warning Lamp Mounting	1
C	63RU 220	JOINT, Universal Pivot Housing	1
D	26MO 317P4	BRACKET, Lamp Mounting	1
E		Attaching Parts:	
E-1	35AX 179	SCREW, machine oval Phillips hd. #10-24 NC x 3/4(130AX 344)	4
F	26MO 321P2	WASHER, Lock	4
G	28RM 12	BRACKET, Flood Lamp	1
		BRACKET, Flood Lamp Mounting	1
H		Attaching Parts:	
J	23AX 146	SCREW, cap, 5/16-18 NC x 1 (7/8"thd.)(4AX 5)	2
J-1		NUT (5/16-18 NC)	2
K	48RU 1580	WASHER, Lock, 5/16 I.D.(36AX 22)	2
		CLAMP, Flood Lamp Mounting Bracket	2
K-1	103AX 43	Attaching Parts:	
K-2	23AX 246	SCREW (1/4-20 NC)	1
L	87AX 14	NUT (1/4-20 NC)	1
		GROMMET, Flood Lamp	1

Illustration #25-1315-5.

KEY	PART NUMBER	DESCRIPTION	NO. REQ.
		<u>SECTION 17A - 25MOA 418</u>	
A	25MO 49F9	LAMP, Spot	1
B	48RU 2238	CLAMP, Spotlight	2
C		Attaching Parts: SCREW, machine fillister Phillips hd. #8-32 NC x 1-1/4 (130AX 453)	2
C-1		WASHER, Lock, #8 I.D.(36AX 63)	2
D	3AX 1386	SCREW (#10-32 NF)	2
E	26MO 320P1	BRACKET, Spotlight	1
F		Attaching Parts: SCREW, tapping type A, pan Phillips hd. #12-11 x 5/8 (131AX 258)	2
G	26MO 320P2	BRACKET, Spotlight	1
H		Attaching Parts: SCREW, tapping type A, Pan Phillips hd. #12-11 x 5/8 (131AX 258)	2
J	43MR 21P4	COUPLING, Electric Cable	1

Illustration #25-1315-6.

KEY	PART NUMBER	DESCRIPTION	NO. REQ.
<u>SECTION 18A - 25MOA 318</u>			
A	17MO 313	LAMP, Warning	2
B	50MO 312	BRACKET, Warning Lamp Mounting	2
Attaching Parts:			
C		SCREW, machine rd. Phillips hd. #10-32 NF x 1/2(130AX 802)	6
C-1	26AX 69	RIVNUT	6
C-2		WASHER, Lock, #10 I.D.(36AX 77)	6
C-3	37AX 469	WASHER, Plain	6
D	87AX 14	GROMMET, Warning Lamp	4
E	43MR 21P1	COUPLING, Electric Cable	2
E-1	43MR 21P4	COUPLING, Electric Cable	2

1/14/65 ejm-mes

Illustration #30-1318-36.

KEY	PART NUMBER	DESCRIPTION	NO. REQ.
<u>SECTION 62A - 30MRA 357P1</u>			
A		STOP & TAIL LAMP MOUNTING ARRANGEMENT R.H.	
B		STOP & TAIL LAMP MOUNTING ARRANGEMENT L.H. (See Group 5C)	
C		CABLE, Neoprene #16-2 x 22"L., R.H.Stop Lamp (435AXA)	1
C-1	43MR 21P4 *	TERMINAL, R.H.Stop & Tail Lamp Cable Coupling	4
C-2	43MR 21P2 *	CONNECTOR, R.H. Stop & Tail Lamp Cable	2
		Use When R.H.Stop & Tail Lamp is Required.	
D	43MR 21P1	COUPLING, Tail Lamp Cable	2
E		CABLE, Neoprene #16-2 x 201"L., L.H.Stop & Tail Lamp(435AXA)	1
E-1	86AX 108	TERMINAL, Cable Eye	2
E-2	160AX 386	SLEEVE, Cable Eye Terminal	2
E-3	43MR 21P4	TERMINAL, Cable Coupling	2
E-4	83AX 575	CLAMP, Tail Lamp Cable	4
		Attaching Parts:	
E-5		SCREW, machine rd. Phillips hd. 1/4-20 NC x 7/8(130AX 259)	4
E-6		NUT, hex. 1/4-20 NC (22AX 19)	4
E-7		WASHER, Lock, 1/4 I.D.(36AX 1)	4
F		CABLE, Neoprene #16-2 x 160"L. Fuel Tank Sending Unit(435AXA)	1
F-1	86AX 108	TERMINAL, Cable Eye	4
F-2	160AX 386	SLEEVE, Cable Eye Terminal	4
F-3	78MR 11	CLAMP, Wiring Harness Band	3
F-4	83AX 575	CLAMP, Fuel Tank Sending Unit Cable	1
G		BLOCK, Headlamp Terminal (See Group 5B)	
H	41MR 2490	HARNESS, Chassis Wiring	1
H-1	83AX 563	CLAMP, Wiring Harness	2
H-2	83AX 656	CLAMP, Wiring Harness	1
		Attaching Parts:	
H-3		SCREW, cap, 1/4-28 NF x 5/8 (Full thd.)(1AX 8)	1
H-4	239AX 318	SCREW	1
H-5		SCREW, cap, 1/4-28 NF x 1(3/4"thd.)(1AX 126)	1
H-6		NUT, hex. 1/4-28 NF (20AX 1)	1
H-7		WASHER, Lock, 1/4 I.D.(36AX 1)	3
H-8	37AX 471	WASHER, Flat	1
<u>SECTION 62B - 30MRA 357P2</u>			
		Same as 30MRA 357P1(Section 62A)Except	
E		CABLE, Neoprene #16-2 x 209"L.Stop & Tail Lamp (435AXA)	1
<u>SECTION 62C - 30MRA 357P3</u>			
		Same as 30MRA 357P1(Section 62A)Except	
E		CABLE, Neoprene #16-2 x 225"L. L.H.Stop & Tail Lamp (435AXA)	1
E-1	83AX 575	CLAMP, Rear Tail Lamp Cable Assembly	5
E-2		SCREW, machine rd. Phillips hd. 1/4-20 NC x 7/8(130AX 259)	5
E-3		NUT, Std. hex. 1/4-20 NC (22AX 19)	5
E-4		WASHER, Lock, 1/4 I.D.(36AX 1)	5
<u>SECTION 62D - 30MRA 357P4</u>			
		Same as 30MRA 357P1(Section 62A)Except	
E		CABLE, Neoprene #16-2 x 234"L. L.H.Stop & Tail Lamp (435AXA)	1
E-1	83AX 575	CLAMP, Rear Tail Lamp Cable Assembly	5
E-2		SCREW, machine rd. Phillips hd. 1/4-20 NC x 7/8(130AX 259)	5
E-3		NUT, Std. hex. 1/4-20 NC (22AX 19)	5
E-4		WASHER, Lock, 1/4 I.D.(36AX 1)	5
<u>SECTION 62E - 30MRA 357P5</u>			
		Same as 30MRA 357P1(Section 62A)Except	
E		CABLE, Neoprene #16-2 x 251"L. L.H.Stop & Tail Lamp (435AXA)	1
E-1	83AX 575	CLAMP, Rear Tail Lamp Cable Assembly	6
E-2		SCREW, machine rd. Phillips hd. 1/4-20 NC x 7/8(130AX 259)	6
E-3		NUT, Std. hex. 1/4-20 NC (22AX 19)	6
E-4		WASHER, Lock, 1/4 I.D.(36AX 1)	6

KEY	PART NUMBER	DESCRIPTION	NO. REQ.
<u>SECTION 62F - 30MRA 357P6</u>			
Same as 30MRA 357P1(Section 62A)Except			
E		CABLE, Neoprene #16-2 x 350"L. L.H.Stop & Tail Lamp (435AXA)	1
E-1	83AX 575	CLAMP, Rear Tail Lamp Cable Assembly	12
E-2		SCREW, machine rd. Phillips hd. 1/4-20 NC x 7/8(130AX 259)	12
E-3		NUT, Std. hex. 1/4-20 NC (22AX 19)	12
E-4		WASHER, Lock, 1/4 I.D.(36AX 1)	12
<u>SECTION 62G - 30MRA 357P7</u>			
Same as 30MRA 357P1(Section 62A)Except			
E		CABLE, Neoprene #16-2 x 422"L. Stop & Tail Lamp (435AXA)	1
E-1	83AX 575	CLAMP, Rear Tail Lamp Cable Assembly	14
E-2		SCREW, machine rd. Phillips hd. 1/4-20 NC x 7/8(130AX 259)	14
E-3		NUT, Std. hex. 1/4-20 NC (22AX 19)	14
E-4		WASHER, Lock, 1/4 I.D.(36AX 1)	14
<u>SECTION 62H - 30MRA 363P1</u>			
Same as 30MRA 357P1(Section 62A)Except			
C		CABLE, Neoprene #16-2 x 22"L. L.H.Stop & Tail Lamp (435AXA)	1
C-1	43MR 21P4 *	TERMINAL, L.H.Stop & Tail Lamp Cable Coupling	4
C-2	43MR 21P2 *	CONNECTOR, L.H.Stop & Tail Lamp Cable	2
		Use When L.H.Stop & Tail Lamp is Required.	
E		CABLE, Neoprene #16-2 x 251"L. R.H.Stop & Tail Lamp (435AXA)	1
E-1	83AX 575	CLAMP, Rear Tail Lamp Cable Assembly	5
E-2		SCREW, machine rd. Phillips hd. 1/4-20 NC x 7/8(130AX 259)	5
E-3		NUT, Std. hex. 1/4-20 NC (22AX 19)	5
E-4		WASHER, Lock, 1/4 I.D.(36AX 1)	5
<u>SECTION 62J - 30MRA 363P2</u>			
Same as 30MRA 357P1(Section 62A)Except			
C		CABLE, Neoprene #16-2 x 22"L. L.H.Stop & Tail Lamp (435AXA)	1
C-1	43MR 21P4 *	TERMINAL, L.H.Stop & Tail Lamp Cable Coupling	4
C-2	43MR 21P2 *	CONNECTOR, L.H.Stop & Tail Lamp Cable	2
		Use When L.H.Stop & Tail Lamp is Required.	
E		CABLE, Neoprene #16-2 x 262"L. R.H.Stop & Tail Lamp (435AXA)	1
E-1	83AX 575	CLAMP, Rear Tail Lamp Cable Assembly	5
E-2		SCREW, machine rd. Phillips hd. 1/4-20 NC x 7/8(130AX 259)	5
E-3		NUT, Std. hex. 1/4-20 NC (22AX 19)	5
E-4		WASHER, Lock, 1/4 I.D.(36AX 1)	5
<u>SECTION 62K - 30MRA 363P3</u>			
Same as 30MRA 357P1(Section 62A)Except			
C		CABLE, Neoprene #16-2 x 22"L. L.H.Stop & Tail Lamp (435AXA)	1
C-1	43MR 21P4 *	TERMINAL, L.H.Stop & Tail Lamp Cable Coupling	4
C-2	43MR 21P2 *	CONNECTOR, L.H.Stop & Tail Lamp Cable	2
		Use When L.H.Stop & Tail Lamp is Required.	
E		CABLE, Neoprene #16-2 x 422"L. R.H.Stop & Tail Lamp (435AXA)	1
E-1	83AX 575	CLAMP, Rear Tail Lamp Cable Assembly	14
E-2		SCREW, machine rd. Phillips hd. 1/4-20 NC x 7/8(130AX 259)	14
E-3		NUT, Std. hex. 1/4-20 NC (22AX 19)	14
E-4		WASHER, Lock, 1/4 I.D.(36AX 1)	14



Illustration #30-1318-38

KEY	PART NUMBER	DESCRIPTION	NO. REQ.
<u>SECTION 64A - 30MRA 491P1</u>			
A	41MR 2478P1	HARNESS, Roof Wiring, Dome Light & Marker Lamps (Standard Cab, Center Dome Lamp Only)	1
A-1	43MR 21P1	CONNECTOR, Cable At Marker Lamps	5
B	Not Used		
C	41MR 434	HARNESS, Cab Wiring	1
C-1	83AX 535	CLAMP, Cab Harness	2
C-2		Attaching Parts: SCREW, Tapping type A, rd. Phillips hd. #12-11 x 1/2 (131AX 111)	
C-3		WASHER, Lock, #12 I.D. (36AX 78)	2
C-4	87AX 35	GROMMET, Cab Wiring Harness	1
D	39MR 31P348	STRAP, Ground	2
D-1	35AX 909	Attaching Parts: WASHER, Flat 1/2 I.D.	1
D-2	35AX 915	WASHER Flat 1/2 I.D.	1
E	41MR 2480	HARNESS, R.H. Junction Block to L.H. Junction Block	1
E-1	83AX 534	CLAMP, Junction Block Harness	3
E-2		Attaching Parts: SCREW, machine rd. Phillips hd. #10-32 NF x 1-1/4 (130AX 806)	3
E-3		NUT, hex. stl. #10-32 NF (53AX 6)	3
E-4		WASHER, Lock, #10 I.D. (36AX 14)	3
F	41MR 2492	HARNESS, Horn to Headlamp Junction Block	2
F-1	78MR 11	CLAMP, Horn Harness	1
G	Not Used		
G-1	Not Used		
G-2	Not Used		
H	44MOA 222P1	CABLE ASSEMBLY, Heater	1
J	39MR 31P342	CABLE, Temperature Gauge & Voltmeter	1
K	39MR 31P341	CABLE, Voltmeter Ground	1
L	39MR 31P346	CABLE ASSEMBLY, Low Air Switch	1
M	33MRA 230P2	CABLE ASSEMBLY, Trailer	1
M-1	78MR 12	CLAMP, Trailer Cab Assembly	4
M-2	Not Used		
N	---	DOME LAMP MOUNTING ARRANGEMENT (See Group 5T)	
P	---	MARKER LAMP MOUNTING ARRANGEMENT (See Group 5J)	
Q	---	CLEARANCE LAMP MOUNTING ARRANGEMENT (See Group 5J)	
R	---	FRONT DIRECTIONAL SIGNAL MOUNTING ARRANGEMENT (See Group 5M)	
S	---	HORN MOUNTING ARRANGEMENT (ELECTRIC) (See Group 5L)	
T	---	HEADLAMP JUNCTION BLOCK MOUNTING ARRANGEMENT (See Group 5Y)	
U	---	LOW AIR PRESSURE BUZZER MOUNTING ARRANGEMENT (See Group 5F When Specified)	
V	---	TILT-RAY SWITCH MOUNTING ARRANGEMENT (See Group 5E)	
W	---	STOPLIGHT SWITCH (See Group 10K)	
X	---	STARTER SWITCH MOUNTING (See Group 15F)	
Y	---	INSTRUMENT PANEL ASSEMBLY (See Group 15F)	
Z	---	INSTRUMENT PANEL ASSEMBLY (See Group 15F)	
AA	---	ELECTRICAL EQUIPMENT MOUNTING ARRANGEMENT (See Group 5E)	
AB	---	ELECTRIC WINDOW LIFT MOUNTING ARRANGEMENT (See Group 5AJ When Specified)	
AC	---	INSTRUMENT PANEL ASSEMBLY (See Group 15F)	

KEY	PART NUMBER	DESCRIPTION	NO. REQ.
		<u>SECTION 64A - 30MRA 491P1(Cont.)</u>	
AD	---	CHASSIS REAR END HARNESS & CLAMP ARRANGEMENT (See Group 5K)	
AE	---	CHASSIS FRONT END HARNESS & CLAMP ARRANGEMENT (See Group 5K)	
AF	Not Used		
		<u>SECTION 64B - 30MRA 491P2</u> Same as 30MRA 491P1(Section 64A)Except	
A	41MR 2478P2	HARNESS, Roof Wiring Dome Lights & Marker Lamps (Sleeper Cab, Center, R.H. & L.H. Dome Lamps)	1
B	41MR 2493	HARNESS, Dome Lamp Mounting	1
L	39MR 31P347	CABLE ASSEMBLY, Low Air Switch	1
M	33MRA 230P1	CABLE ASSEMBLY, Trailer	1
M-2	83AX 534	CLAMP, Trailer Cable Assembly	2
AF	83AX 641	CLAMP, Trailer Cable At Air Line Bracket	1
		<u>SECTION 64C - 30MRA 491P3</u> Same as 30MRA 491P1(Section 64A)Except	
M	Omit		
M-1	Omit		
M-2	Omit		
		<u>SECTION 64D - 30MRA 491P4</u> Same as 30MRA 491P1(Section 64A)Except	
G	44MOA 221	CABLE ASSEMBLY, to Instrument Panel	1
G-1	43MR 21P1	CONNECTOR, Douglas, Instrument Panel	1
G-2	39MR 31P340	JUMPER, Douglas, Instrument Panel	1
M	Omit		
M-1	Omit		
M-2	Omit		

LINE NO.	PART NUMBER	DESCRIPTION	NO. REQ.
SECTION 97A - 30MRA 274			
1	44MOA 213P1	CABLE ASSEMBLY, Temperature Transmitter	1
2	64MT 124	GAUGE, Temperature, Sending Unit	1
3	28MK 31P39	STRAP, Engine Ground	1
4	35AX 921	Attaching Parts: WASHER, Lock	1
5	39MR 31P337	CABLE, Starter Ground	1
6	35AX 919	Attaching Parts: WASHER, Lock	1



TITLE CABLE INSTALLATION ARRANGEMENT

Illustration #30-1318-67

KEY	PART NUMBER	DESCRIPTION	NO. REQ.
<u>SECTION 107A - 30MRA 527</u>			
A	91RU 142	CAP, Hose Supt	2
B	63AX 1354	SUPPORT, Hose	2
C	77QE 252	BRACKET, Hose Supt	1
		Attaching Parts:	
D	1AX 35	SCREW, 3/8-24 NF x 1	2
E	20AX 3	NUT, 3/8-24 NF	2
E-1	36AX 3	WASHER, 3/8 ID	2
F	1AX 50	SCREW, 5/8-18 NF x 1-3/4	1
G	20AX 7	NUT, 5/8-18 NF	1
G-1	36AX 7	WASHER, 5/8 ID	1
H	77QE 253	BRACKET, Hose Supt	2
		Attaching Parts:	
J	1AX 50	SCREW, 5/8-18 NF x 1-3/4	2
K	20AX 7	NUT, 5/8-18 NF	2
K-1	36AX 7	WASHER, 5/8 ID	2
L	77QE 315	BRACKET ASSY, Hose	1
		Includes:	
M	61RU 140	"S" HOOK	8
N	58AX 244	SPRING	16
P	83AX 673	CLAMP, Hose	8
Q	306AX 8	ANTI-SQUEAK	10
		Attaching Parts:	
R	1AX 60	SCREW, 1/2-20 NF x 1-1/2	4
S	20AX 5	NUT, 1/2-20 NF	4
S-1	36AX 5	WASHER, 1/2 ID	4
T	77QE 163	BRACKET, Bthr Grd	1
U	34RU 456	GUARD, Bthr	1
V	75QE 42	BRACKET, Conn & Hitch-Hiker Mtg	1
		Attaching Parts:	
W	1AX 231	SCREW, 5/8-18 NF x 1-1/2	4
X	21AX 360	NUT, (5/8-18 NF)	4
Y	31QE 127	HOSE ASSY	1
Z	63AX 1170	BUSHING, Reducer Hose Assy	1
AA	93RU 1216	FLANGE, Hose Supt	2
		Attaching Parts:	
AA-1	103AX 9	SCREW (#10-32 NF)	8
AA-2	53AX 6	NUT, #10-32 NF	8
AA-3	36AX 76	WASHER, #10 ID	8
AB	63AX 1742	CONNECTOR, Hose Assy Elb	2
AC	63AX 1555	ELBOW, Hose Assy	2
AD	31QE 26AP24	HOSE ASSY, (Service)	1
AD-1	31QE 26AP25	HOSE ASSY, (Emerg)	1
AE	33MR 253	RECEPTACLE, Surface Mount Trailer (7 Way)	3
		Attaching Parts:	
AE-1	1AX 32	SCREW, 1/4-28 NF x 7/8	9
AE-2	20AX 1	NUT, 1/4-28 NF	9
AE-3	36AX 1	WASHER, 1/4 ID	9
AE-4	4MR 2129P20	PLATE, Name (Super Pumper 1)	4
AE-5	4MR 2129P21	PLATE, Name (Super Pumper 2)	4
AE-6	4MR 2129P22	PLATE, Name (Super Pumper 3)	4
AF	33MR 349	CABLE ASSY, Trail Aux (Single - Green)	1
AF-1	33MR 350	CABLE ASSY, Trail Aux (Double - Green)	1
AG	33MR 348	CABLE ASSY, Trail Regular (Black)	1

LINE NO.	PART NUMBER	DESCRIPTION	NO. REQ.
<u>SECTION 43A - 38MRA 397</u>			
1	63AX 1081	CONNECTOR ASSEMBLY, Air Horn Inlet Line	1
2	83AX 533	CLAMP, Air Horn Inlet Line	2
3		Attaching Parts: SCREW, tapping type B, rd. Phillips hd. 1/4-14 x 3/8 (133AX 133)	2
4	73RU 11914	BRACKET, Air Horn Reinforcement	1
5		Attaching Parts: SCREW, machine flat Phillips hd. #10-24 NC x 1/2 (130AX 66)	2
6		NUT, hex. stl. #10-24 (53AX 6)	2
7		WASHER, Lock, #10 I.D. (36AX 14)	2
8	63AX 1090	ELBOW ASSEMBLY, Air Horn Inlet Line (At Horn)	1
9	38MR 462	HORN, Air	1
10		Attaching Parts: WASHER, Lock, 1/4 I.D. (36AX 1)	3

ITEM NO.	PART NUMBER	DESCRIPTION	NO. REQ.
<u>SECTION 47A - 38MRA 457P1</u>			
1	38MR 389	HORN, Electric (Low Tone)	1
2	38MR 390	HORN, Electric (High Tone)	1
3	103AX 84	Attaching Parts: SCREW (5/16 x 3/4)	2
<u>SECTION 47B - 38MRA 457P2</u>			
Same as 38MRA 457P1 (Section 47A) Except			
2	Omit		
3	103AX 84	SCREW (5/16 x 3/4)	1
<u>SECTION 47C - 38MRA 394</u>			
MB Models			
Same as 38MRA 457P1 (Section 47A) Except			
2	Omit		
3		SCREW, Cap, 5/16-24 NF x 5/8 (Full thd.) (1AX 120)	1
4		WASHER, Lock, 5/16 I.D. (36AX 22)	1
5	83AX 176	CLAMP, Horn Wiring Harness	1

# MACK TRUCK-TRACTOR PARTS BOOK

## GROUP #5M - FRONT DIRECTIONAL SIGNAL MOUNTING ARRANGEMENT SECTION 23

NOTE: Key Letters Indicated on Illustration #47-1315-14.

KEY	PART NUMBER	DESCRIPTION	NO. REQ.
		<u>SECTION 23A - 47MOA 345P1</u>	
A	47MO 239	LAMP, Directional Signal (For Components, see back of Group)	2
B	73RU 11741	SPACER, Directional Signal-Outer	2
C	73RU 11742	SPACER, Directional Signal-Inner	2
G-1	7MRA 36	FLASHER MOUNTING (See Group 5M)	
		<u>SECTION 23B - 47MOA 345P2</u> Same as 47MOA 345P1(Section 23A)Except	
A	47MO 234	LAMP, Directional Signal (For Components, see back of Group)	2
		<u>SECTION 23C - 47MOA 345P3</u> Same as 47MOA 345P1(Section 23A)Except	
A	47MO 239P2	LAMP, Directional Signal (For Components, see back of Group)	2

Illustration #1-1318-71.

KEY	PART NUMBER	DESCRIPTION	NO. REQ.
<u>SECTION 25A - 1MRA 4142P1</u>			
A	1MRA 2164P1	SWITCH ASSEMBLY, Directional Signal	1
A-1	43MR 21P4	TERMINAL, Switch Wiring	1
A-2	43MR 21P1	TERMINAL, Switch Wiring	1
B	32MR 239	BRACKET, Directional Switch Mounting	1
Attaching Parts:			
B-1		SCREW, rd. Phillips hd. #8-32 NC x 1/2(130AX 205)	2
B-2		WASHER, Lock, #8 I.D.(35AX 242)	2
C	35AX 546	SPACER, Bracket Mounting	2
D	---	VALVE, Hand Control (See Group 10K)	
E	---	WHEEL, Steering (See Group 10F)	
F	---	COLUMN ASSEMBLY, Steering (See Group 10F)	
<u>SECTION 25B - 1MRA 4142P2</u> Same as 1MRA 4142P1(Section 25A)Except			
B	32MR 240	BRACKET, Directional Switch Mounting	1
<u>SECTION 25C - 1MRA 4157</u> U Models Same as 1MRA 4142P1(Section 25A)Except			
B	32MR 250	BRACKET, Directional Signal Switch Mounting	1
B-2		SCREW, cap, 3/8-16 NC x 2-1/2 (1"thd.)(4AX 194)	2
<u>SECTION 25D - 1MRA 1297</u> MSame as Section 25A Except			
A	1MR 1295	SWITCH, Directional Signal	1
B	32MR 250	BRACKET, Directional Signal Switch Mtg.	1
B-2	4AX 194	SCREW, 3/8-16 NC x 2 1/2	2



LINE NO.	PART NUMBER	DESCRIPTION	NO. REQ.
<u>SECTION 5A - 33MRA 347</u>			
1	33MR 155	RECEPTACLE, Charging Plug	1
		Attaching Parts:	
2		SCREW, machine flat Phillips hd. #8-32 NC x 5/8 (130AX 50)	2
3		NUT, hex. stl. #8-32 NC (53AX 2)	2
4		WASHER, Lock, #8 I.D.(36AX 63)	2
5	71RU 12303	PLATE, Receptacle Reinforcement	1
6	33MR 154	PLUG, Charging	1
7	105MO 17	PLATE, Charging Receptacle Cover	1
		Attaching Parts:	
8		SCREW, machine rd. Phillips hd. #6-32 NCx3/4 (130AX 191)	4
9		NUT, hex. stl. #6-32 NC (53AX 25)	4
10		WASHER, Lock, #6 I.D.(36AX 20)	4

LINE NO.	PART NUMBER	DESCRIPTION	NO. REQ.
<u>SECTION 24A - 33MRA 417</u>			
1	30QE 115	TENDER, Hitch Hike Power Brake Hose	1
2	75QE 42	BRACKET, Connector & Hitch Hiker Mounting	1
3		Attaching Parts:	
4	21AX 360	SCREW, cap, 5/8-18 NF x 1-1/2 (Full thd.)(1AX 231)	4
5	33MR 253	NUT (5/8-18 NF)	4
		RECEPTACLE, Surface Mount Trailer (7 Way)	3
6		Attaching Parts:	
7		SCREW, cap, 1/4-28 NF x 7/8(3/4"thd.)(1AX 32)	9
8		NUT, hex. 1/4-28 NF (20AX 1)	9
		WASHER, Lock, 1/4 I.D.(36AX 31)	9

LINE NO.	PART NUMBER	DESCRIPTION	NO. REQ.
		<u>SECTION 5A - 22MOA 227</u>	
1	41MO 31P6	BULB, Dome Lamp	1
2	22MO 226	LAMP, Dome	1
3		Attaching Parts: SCREW, tapping, type A, Flat Phillips hd. #6-18 x 3/8 (131AX 5)	4
4	Not Used		
		228 (L.H.) <u>SECTION 5B - 22MOA 229 (R.H.)</u> Same as 22MOA 227(Section 5A)	
		NO PART NUMBER CHANGES.	
		<u>SECTION 5C - 22MOA 336</u> Same as 22MOA 227(Section 5A)Except	
3		SCREW, tapping type A, flat Phillips hd. #6-18 x 3/4 (131AX 8)	4
4	155AX 49	SPEEDNUT	4
		<u>SECTION 5D - 22MOA 335</u> Same as 22MOA 227(Section 5A)Except	
3		SCREW, tapping type A, flat Phillips hd. #6-18 x 1/2 (131AX 6)	4
		<u>SECTION 5E - 22MOA 337</u> Same as 22MOA 227(Section 5A)Except	
3		SCREW, tapping type A, flat Phillips hd. #6-18 x 3/4 (131AX 8)	4
4	155AX 49	SPEEDNUT	4
5	39MR 31P342	WIRE, Ground	1

LINE NO.	PART NUMBER	DESCRIPTION	NO. REQ.
<u>SECTION 21A - 71MRA 327</u>			
1	7MRA 35P4	BLOCK, Headlamp Junction (R.H.)	1
		Includes:	
2	NUT, hex. Brass #10-32 NF (53AX 9)		AR
3	35AX 243	WASHER, #10 I.D.	AR
		Attaching Parts:	
4	SCREW, machine rd. Phillips hd. #10-24 NC x 1(130AX 227)		2
5	NUT, hex. #10-24 NC (53AX 1)		2
6	WASHER, Lock, #10 I.D.(36AX 14)		2
7	37AX 206	SPACER	2
8	78MR 11	BAND Headlamp Cable	1

LINE NO.	PART NUMBER	DESCRIPTION	NO. REQ
<u>SECTION 4A - 28MOA 37</u>			
1	50MO 127	BRACKET, Hooded Lamp Mounting	1
2	68MO 17	LAMP, Hooded	1
Attaching Parts:			
3		SCREW, machine flat Phillips hd. #5-40 NC x 1/2(130AX 144)	3
4		NUT, hex. stl. #5-40 NC (53AX 42)	3
5		WASHER, Lock, #5 I.D.(36AX 72)	3

**MACK TRUCK-TRACTOR PARTS BOOK**

**TITLE HEADLAMP, JUNCTION BLOCK MOUNTING AND CABLE ROUTING ARRANGEMENT**

Illustration #71-1318-7.

KEY	PART NUMBER	DESCRIPTION	NO. REQ.
<u>SECTION 22A - 71MRA 328</u>			
A	71MRA 35P11	BLOCK, Headlamp Junction (L.H.)	1
A-1		Includes:	
A-2	35AX 243	NUT, hex. Brass #10-32 NF (53AX 9)	AR
B		WASHER, #10 I.D.	AR
B-1		Attaching Parts:	
B-2		SCREW, machine rd. Phillips hd. #10-24 NC x 1(130AX 227)	2
B-3	37AX 206	NUT, hex. stl. #10-32 NC (53AX 1)	2
C	34RU 2259	WASHER, Lock, #10 I.D.(36AX 14)	2
D		SPACER	2
E		SHIELD, Headlamp Junction Block	1
E-1		Attaching Parts:	
E-2	37AX 471	SCREW, machine rd. Phillips hd. 1/4-20 NC x 1(130AX 260)	2
F	78MR 11	NUT, hex. 1/4-20 NC (22AX 19)	2
G	83AX 564	WASHER, Lock, 1/4 I.D.(36AX 1)	2
H		WASHER, Flat	2
H-1		BAND, Headlamp Cable	1
J	83AX 565	CLAMP, Harness Assembly	1
K		Attaching Parts:	
K-1		NUT, hex. stl. #10-24 NC (53AX 1)	1
		WASHER, Lock, #10 I.D.(36AX 14)	1
		CLAMP, Harness Assembly	2
		Attaching Parts:	
		NUT, hex. stl. #10-24 NC (53AX 1)	2
		WASHER, Lock, #10 I.D.(36AX 14)	2



TITLE HORN BUTTON ASSEMBLY

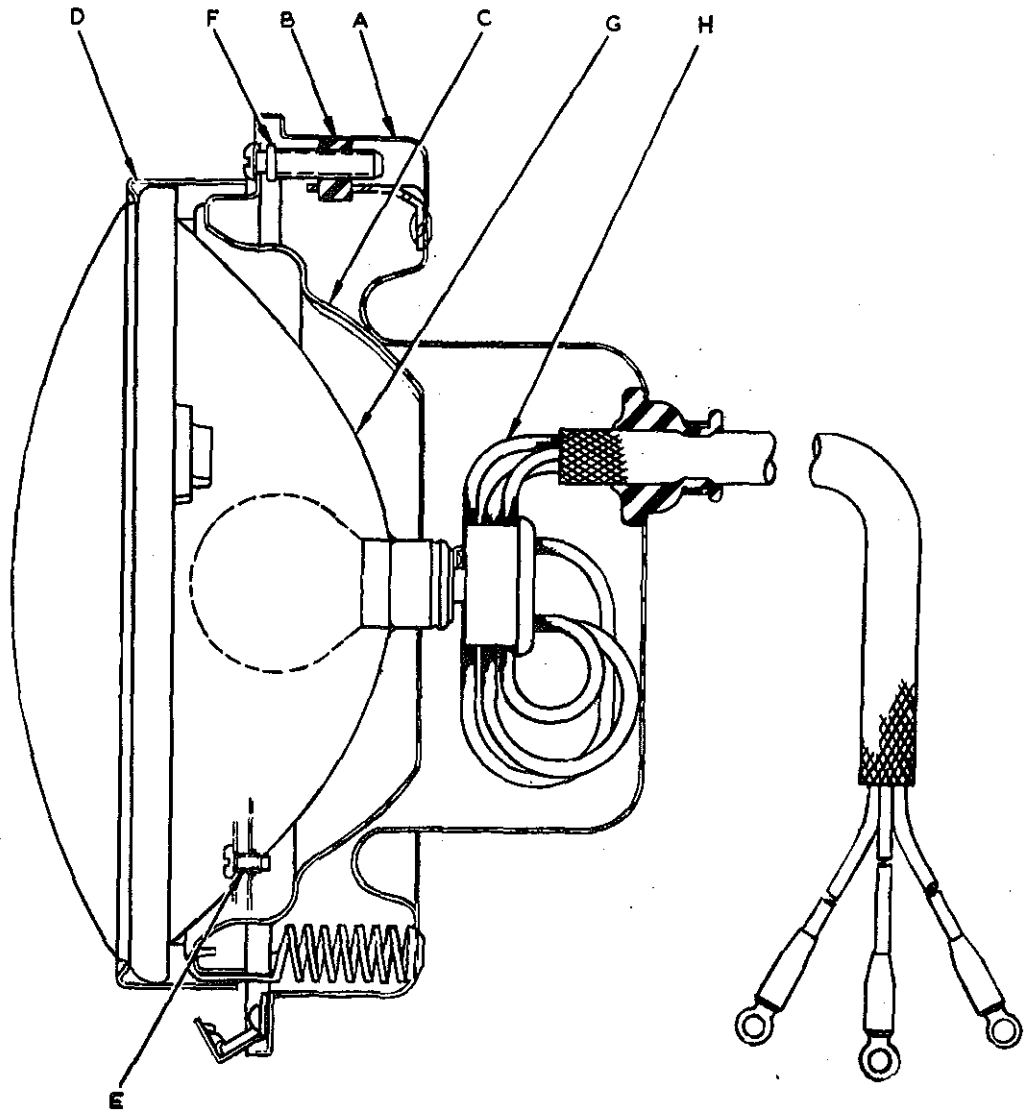
Illustration #26-1318-5.

KEY	PART NUMBER	DESCRIPTION	NO. REQ.
<u>SECTION 10A - 26MRA 164</u>			
A	26MR 160P1	BUTTON ASSEMBLY, Horn	1
B	26MR 161	PLATE, Horn Button Base	1
Attaching Parts:			
C		SCREW, wood rd. slotted hd. stl. #10 x 5/8(13AX 56)	2
D	26MR 114	CUP, Horn Button Contact	1
E	26MR 159	SPRING, Horn Button	1
F	75AX 58	SCREW, Horn Button Contact	1
G		WHEEL, Steering (See Group 10F)	
<u>SECTION 10B - 26MRA 162P1</u>			
Same as 26MRA 164 (Section 10A) Except			
F	26MR 163	SCREW, Horn Button Contact	1
<u>SECTION 10C - 26 MRA 162P2</u>			
Same as 26MRA 164 (Section 10A) Except			
A	26MR 160P2	BUTTON ASSEMBLY, Horn	1
F	26MR 163	SCREW, Horn Button Contact	1

THIS REPLACES ALL COPIES DATED PRIOR TO APRIL 21, 1965  
**MACK CHASSIS NUMBER** must always be given with **PART NUMBER** when ordering.

### COMPONENT PARTS

2MOA 46P1 Thru P5  
HEADLAMP ASSEMBLY



2-1315-6

KEY	PART NUMBER	DESCRIPTION	NO. REQ.
		<u>2MOA 46P1 (6V.)</u>	
A	3394 5931832	BODY ASSEMBLY Includes:	1
(H)	3394 5945194	CONNECTOR & WIRING ASSEMBLY	1
B	3394 5939769	NUT, Adjusting	2
C	3394 924535	RING, Mounting	1
D	3394 5940988	RING, Retaining	1
E	3394 924552	Attaching Parts: SCREW	3

IK



## COMPONENT PARTS

2MOA 46P1 thru P5

HEADLAMP ASSEMBLY (Cont.)

KEY	PART NUMBER	DESCRIPTION	NO. REQ.
		<u>2MOA 46P1 (6V.) (Cont.)</u>	
F	3394 924561	SCREW, Adjusting	2
G	102MO 22AP1	UNIT ASSEMBLY, Sealed Beam (6 V.)	1
H	3394 5945194	CONNECTOR & WIRE ASSEMBLY	1
		<u>2MOA 46P2 (12 V.)</u>	
		Same as 2MOA 46P1 Except	
G	102MO 22AP2	UNIT ASSEMBLY, Sealed Beam (12 V.)	1
		<u>2MOA 46P3 (12 V.)</u>	
		Same as 2MOA 46P1 Except	
G	102MO 22AP3	UNIT ASSEMBLY, Sealed Beam (12 V.)	1
		<u>2MOA 46P4 (12 V.)</u>	
		Same as 2MOA 46P1 Except	
D	3394 5950248	RING, Retaining	1
G	102MO 22AP3	UNIT ASSEMBLY, Sealed Beam	
H	3394 5938566	CONNECTOR & WIRING ASSEMBLY	
		<u>2MOA 46P5 (12 V.)</u>	
		Same as 2MOA 46P1 Except	
B	Omit		
D	3394 5950248	RING, Retaining	1
G	102MO 22AP3	UNIT ASSEMBLY, Sealed Beam (12 V.)	1
H	3394 5938566	CONNECTOR & WIRING ASSEMBLY	1

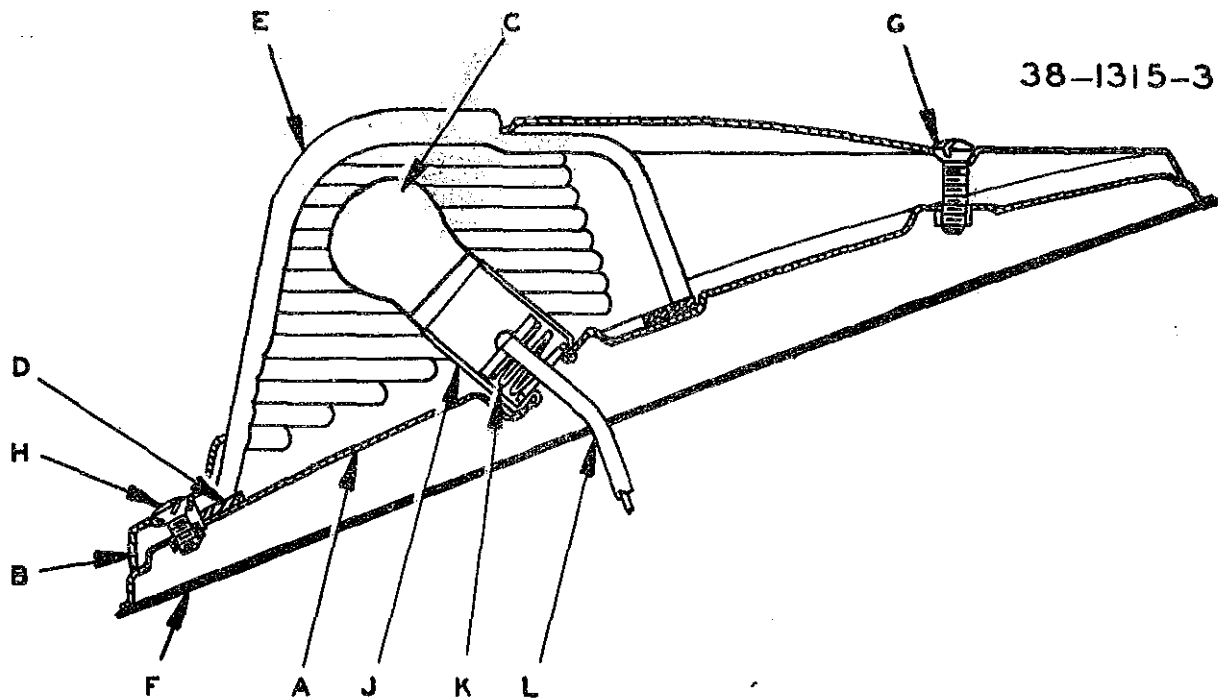
THIS REPLACES ALL COPIES DATED PRIOR TO MARCH 24, 1959.

MACK CHASSIS NUMBER must always be given with PART NUMBER when ordering.

### COMPONENT PARTS

38MO 27P3, P4, P9 & P10

#### MARKER LAMP



KEY	PART NUMBER	DESCRIPTION	NO. REQ'D.
A	4700 9476	BASE ASSEMBLY	1
B	4700 6907-SP-3	BODY	1
C	5AB 1590	BULB (S.C. 3 C.P. 6 V.)	1
D	4700 34045	GASKET, Cork	1
E	4700 3034	LENS (Green) (For P3)	1
E	4700 3032	LENS (Blue) (For P4)	1
E	4700 3031	LENS (Amber) (For P9)	1
E	4700 3036	LENS (Red) (For P10)	1
F	4700 5148	PAD, Rubber Mounting	1
G	4700 6725	SCREW, (Long)	1
H	4700 6744	SCREW, (Short)	1
J	4700 1939	SOCKET (S.C.)	1
K	4700 5801	SPRING, Socket	1
L	4700 31349	WIRE ASSEMBLY	1



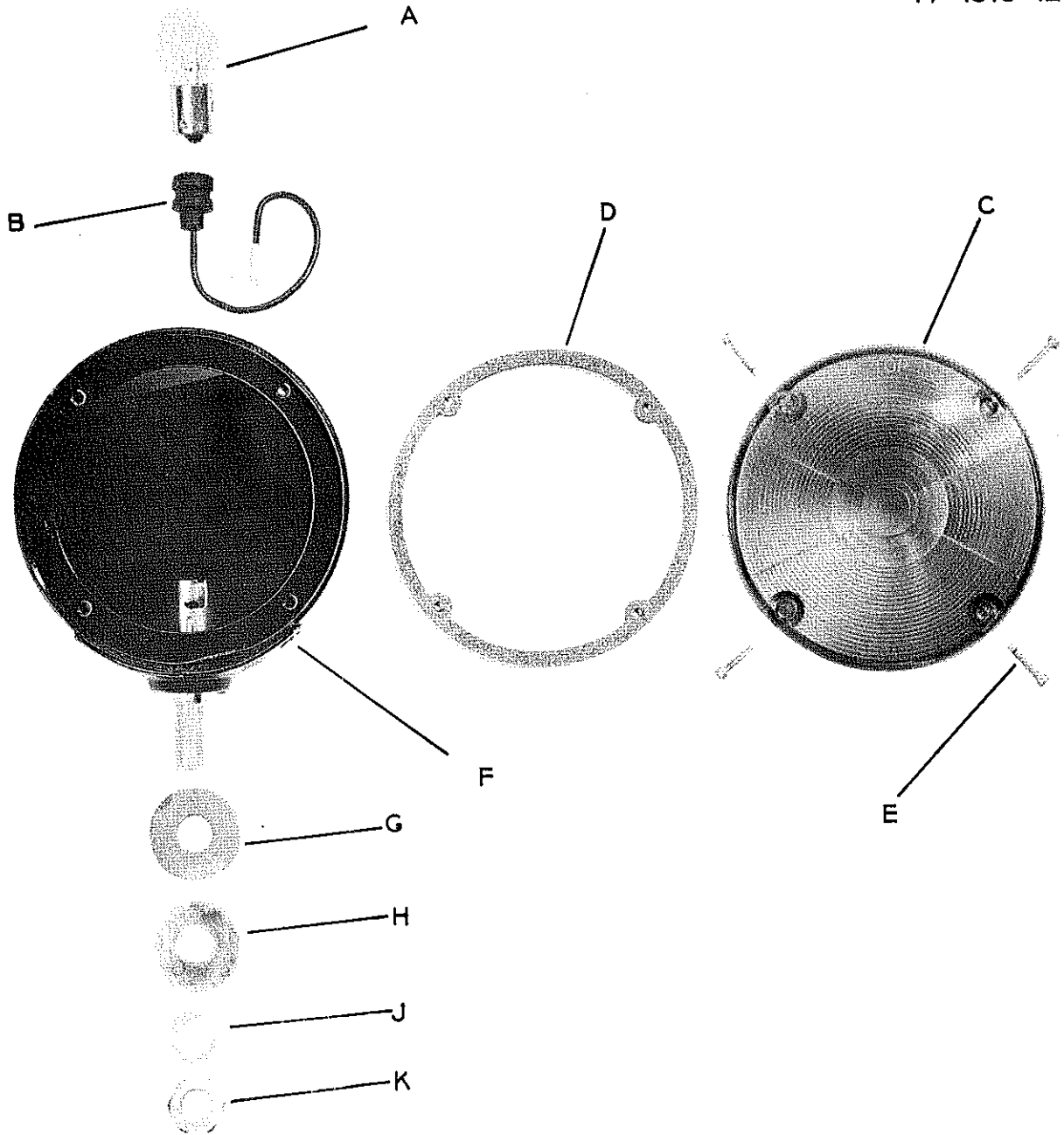
COMPONENT PARTS

47MO 239P1 & P2  
 47MO 241P1, P2 & P3  
REAR DIRECTIONAL SIGNAL

Quantity used is 1 unless otherwise specified in brackets ( ).

KEY	PART NUMBER	DESCRIPTION	KEY	PART NUMBER	DESCRIPTION
-----	-------------	-------------	-----	-------------	-------------

**47-1315-12**



A	41MO 31P6	BULB (12 Volt)	G	4700 34816	WASHER, Fiber
B	4700 88319	WIRE ASSY (For 47MO 239P1 & P2)	H	4700 34817	WASHER, Flat
B	4700 88946	WIRE ASSY (For 47MO 241P1)	J	4700 31194	WASHER, Lock
B	4700 89221	WIRE ASSY (For 47MO 241-P2 & P3)	K	4700 6593	NUT
C	4700 3696	LENS, Red	-	4700 1378	BRACKET, Mtg (For 47MO 239P1 & P2)
C	4700 3691	LENS, Amber			
D	4700 34814	Attaching Parts: GASKET			
E	4700 34544	SCREW(4)			
F	---	BODY (Not Serviced Separately) Attaching Parts:			

10/14/65 wn-jt





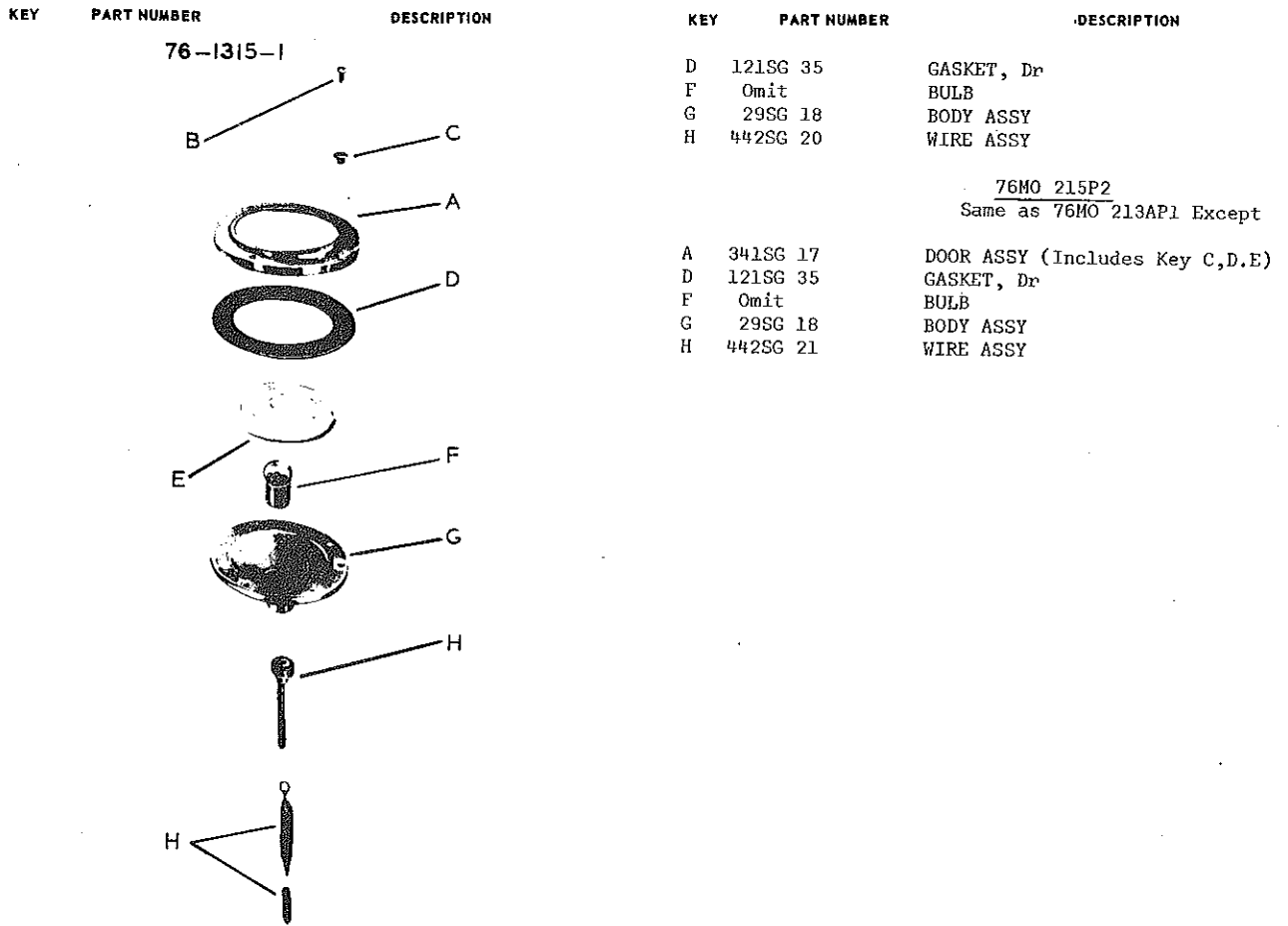
COMPONENT PARTS

THIS REPLACES ALL COPIES DATED PRIOR TO DECEMBER 6, 1965

76MO 213AP1, 2, 3, 76MO 214 & 76MO 215P1, 2

PARKING LAMP

Quantity used is 1 unless otherwise specified in brackets ( ).



KEY	PART NUMBER	DESCRIPTION
D	121SG 35	GASKET, Dr
F	Omit	BULB
G	29SG 18	BODY ASSY
H	442SG 20	WIRE ASSY

76MO 215P2  
Same as 76MO 213AP1 Except

KEY	PART NUMBER	DESCRIPTION
A	341SG 17	DOOR ASSY (Includes Key C,D,E)
D	121SG 35	GASKET, Dr
F	Omit	BULB
G	29SG 18	BODY ASSY
H	442SG 21	WIRE ASSY

76MO 213AP1

KEY	PART NUMBER	DESCRIPTION
A	341SG 13	DOOR ASSY (Includes Key C,D,E) Att Part:
B	364SG 20	SCREW (3)
C	365SZ 105	EYELET, Dr (3)
D	121SG 26	GASKET, Dr
E	222SG 17	LENS (White)
F	41MO 31P1	BULB
G	29SG 15	BODY ASSY
H	442SG 19	WIRE ASSY

76MO 213AP2  
Same as 76MO 213AP1 Except

E	222SG 21	LENS (Red)
---	----------	------------

76MO 213AP3  
Same as 76MO 213AP1

NO PART NUMBER DIFFERENCES

76MO 214  
Same as 76MO 213AP1 Except

F	41MO 31P8	BULB
H-1	43MR 21P4	TERMINAL

76MO 215P1  
Same as 76MO 213AP1 Except

A	341SG 17	DOOR ASSY (Includes Key C,D,E)
---	----------	--------------------------------

12/6/65 rc-jd



# ***Mack* PARTS BOOK**

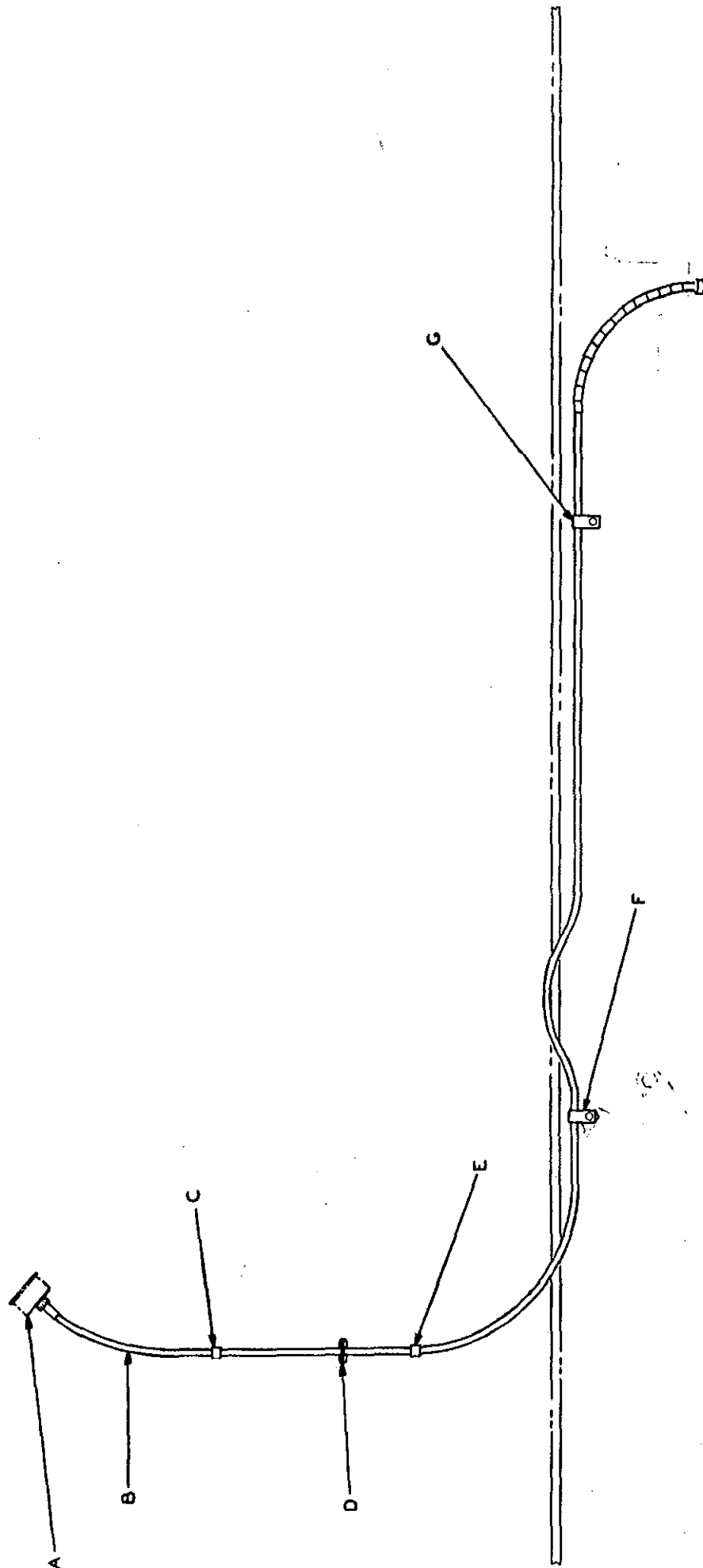
TRANSMISSION

**8**

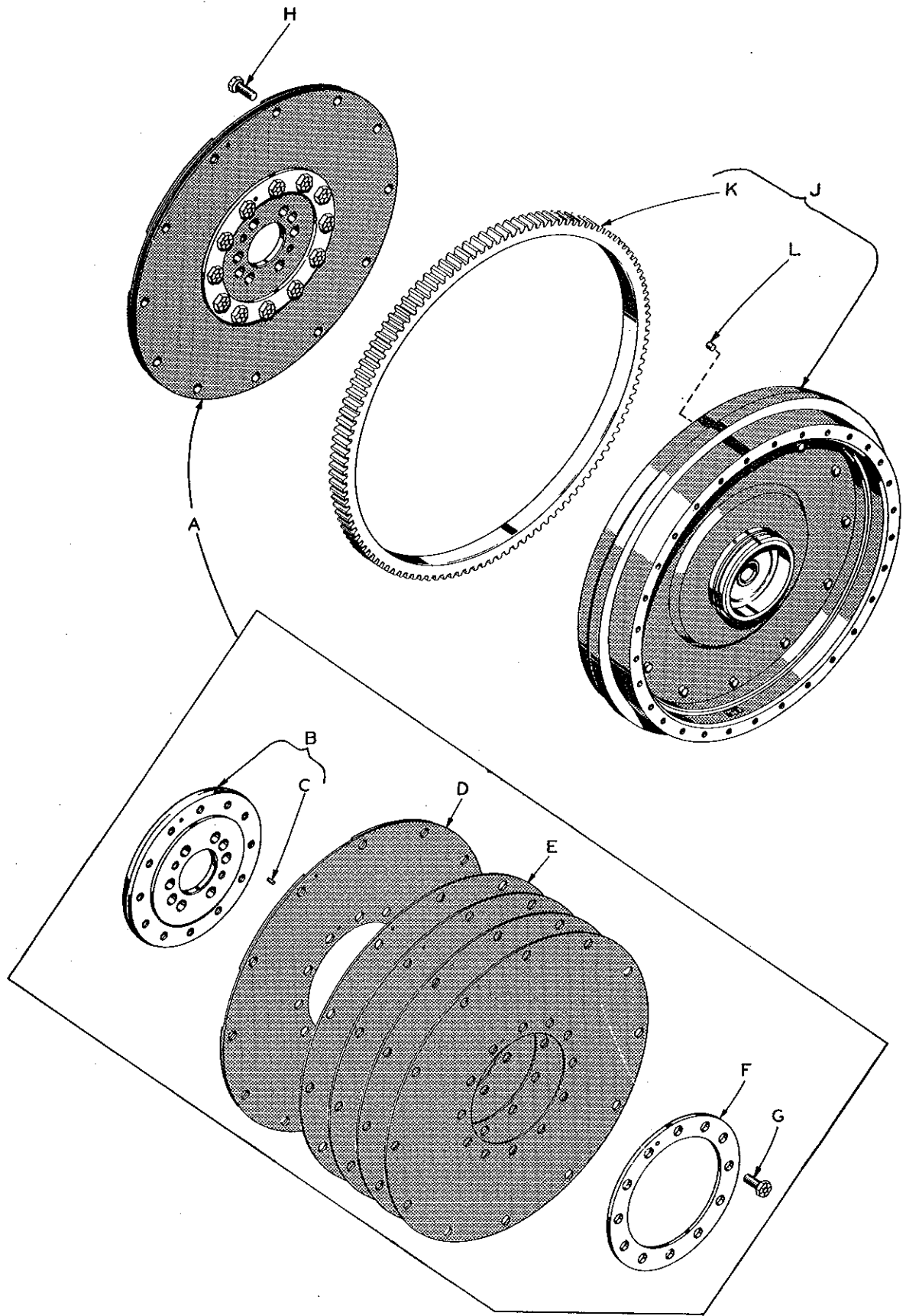
PAGE

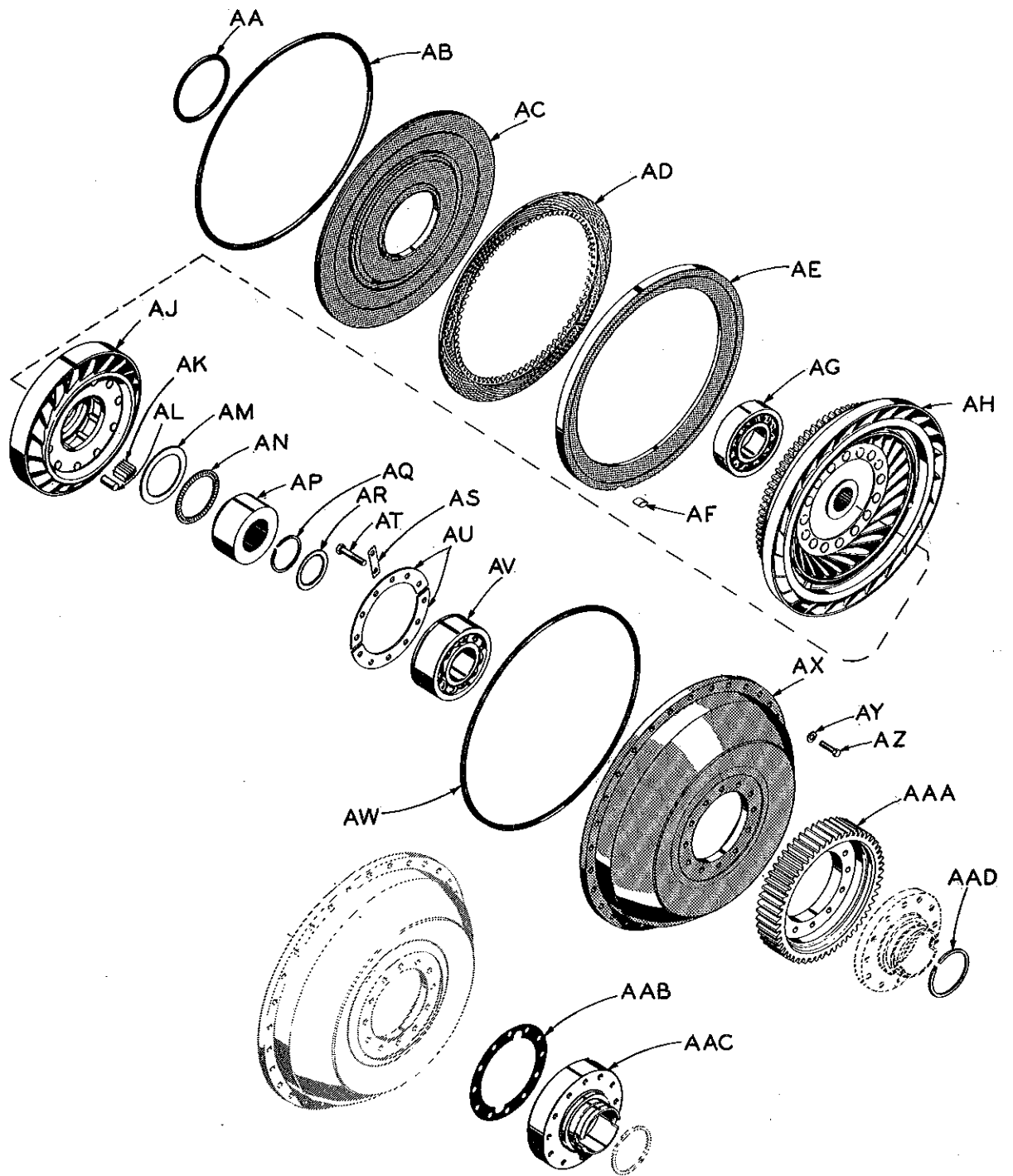


CHASSIS NUMBER *must always be given with PART NUMBER when ordering.*



SPEEDOMETER - CABLE ARR'GT

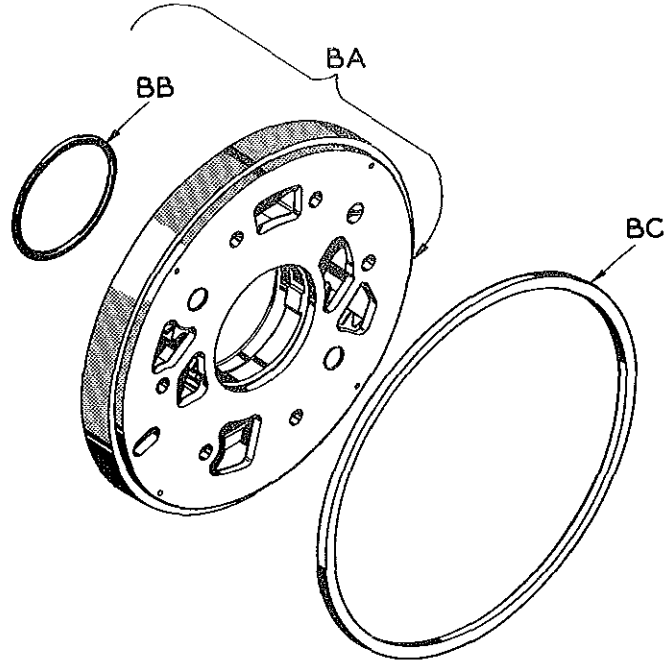




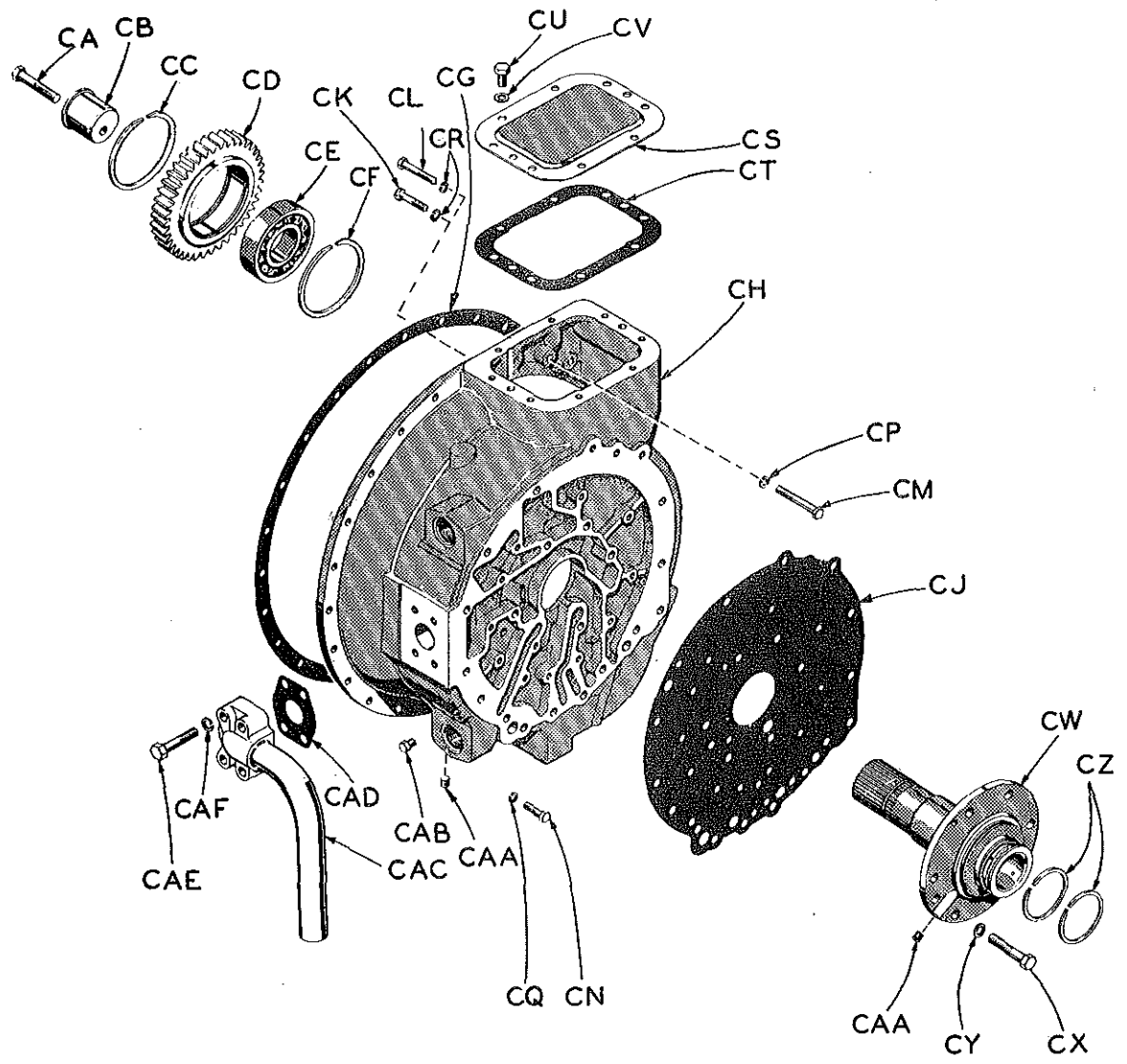
TORQMATIC TRANSMISSION ASSEMBLY

11-112-578

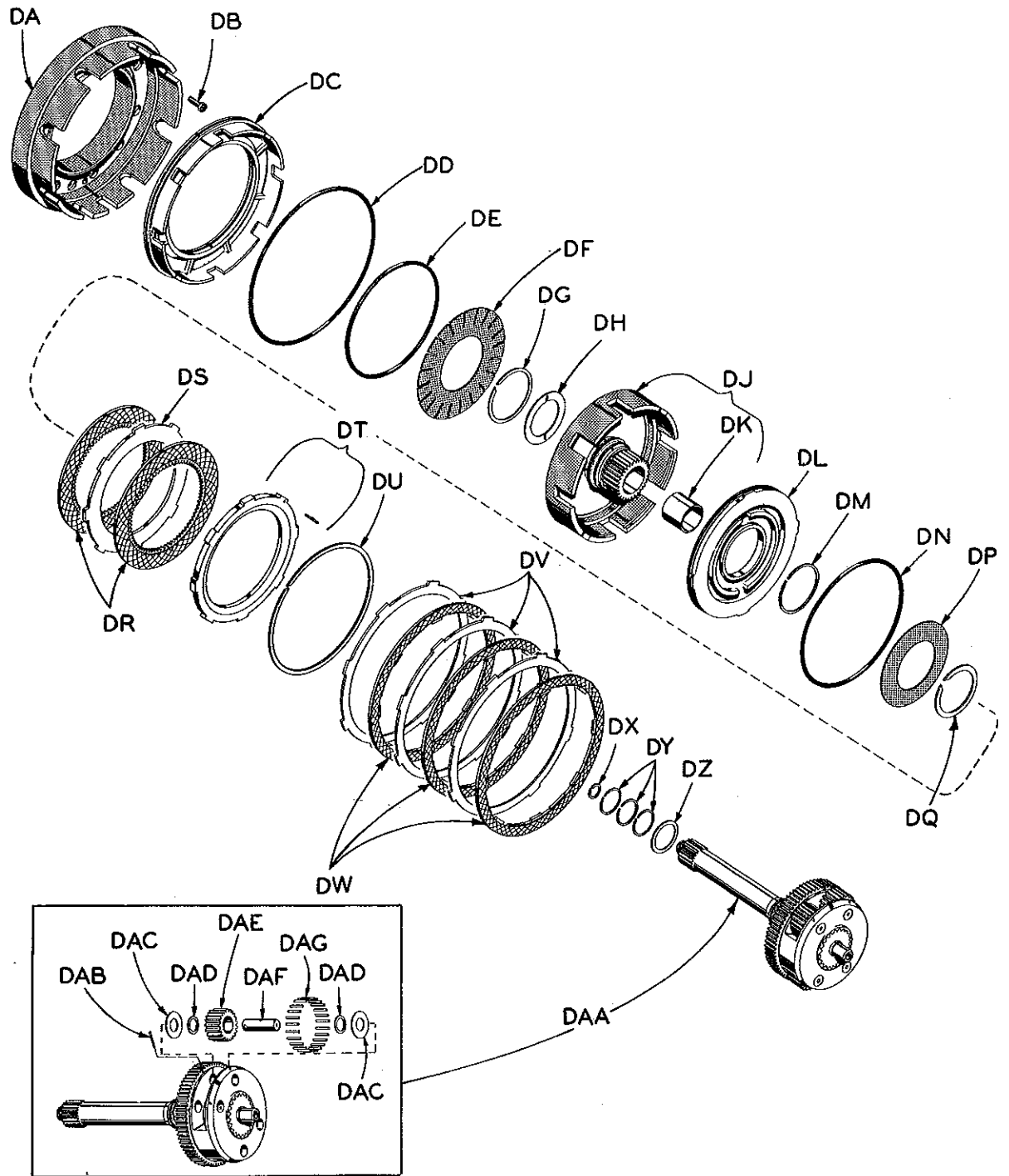


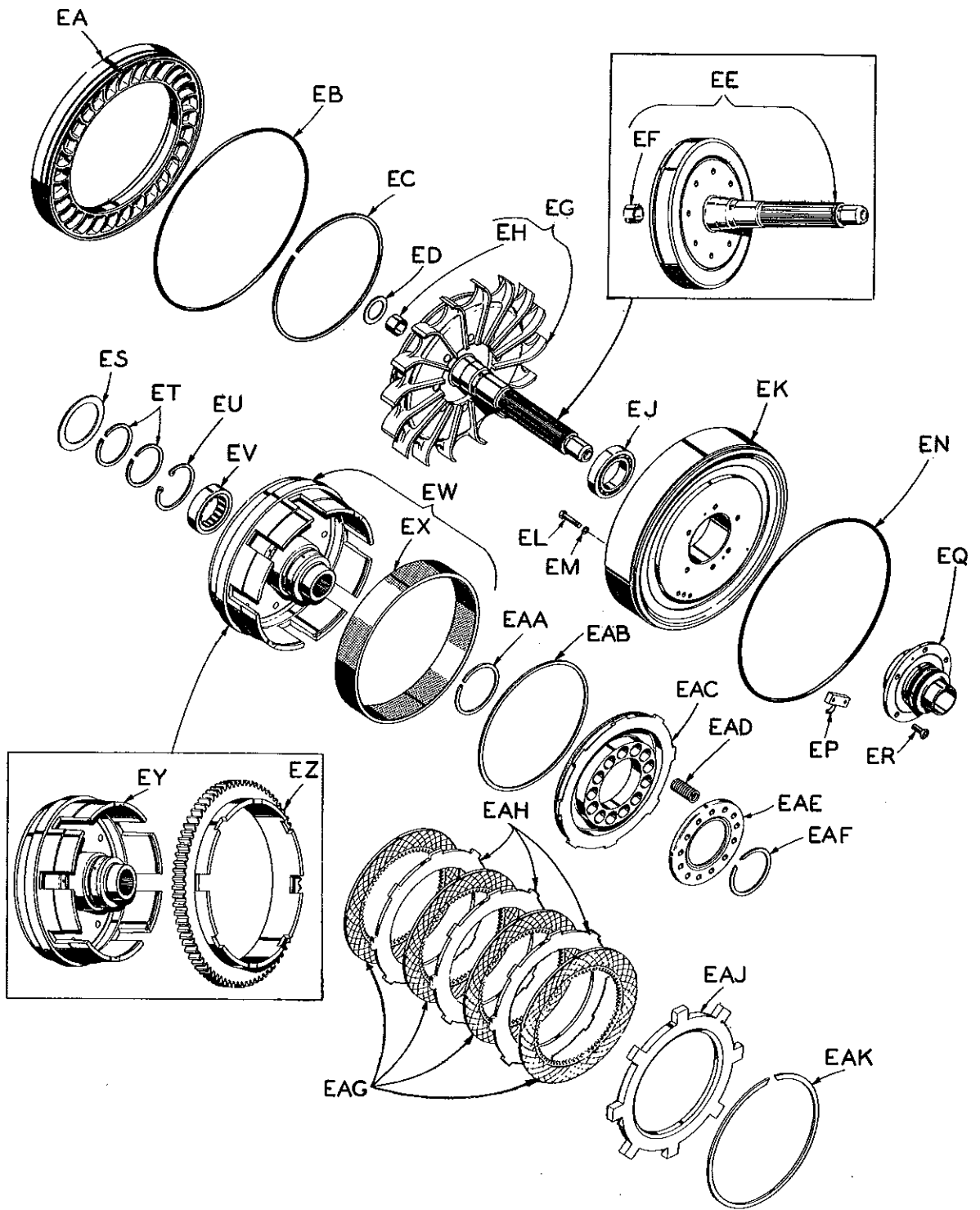


11-112-579 (1)



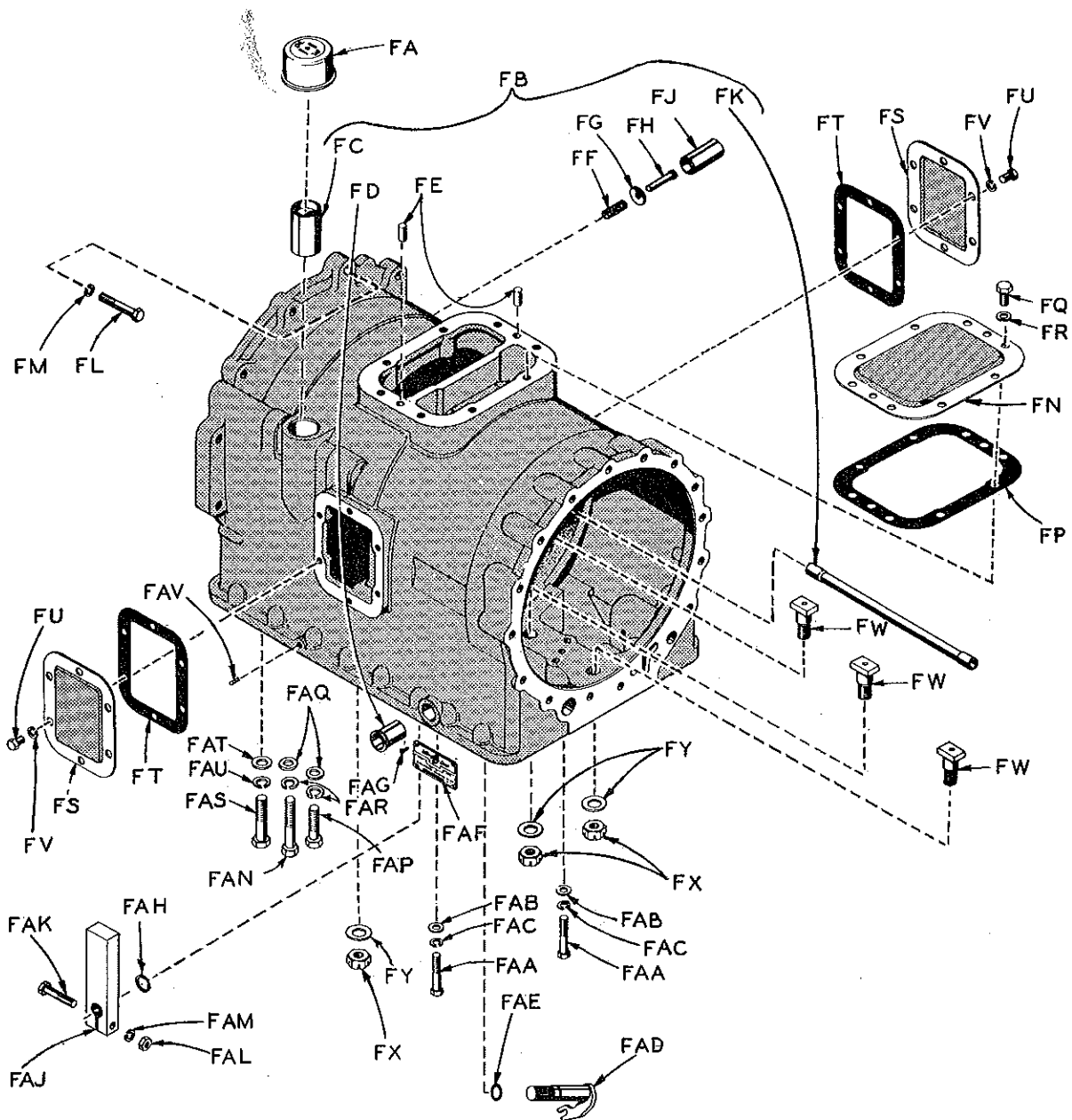
TORQMATIC TRANSMISSION ASSEMBLY 11-112-579(2)





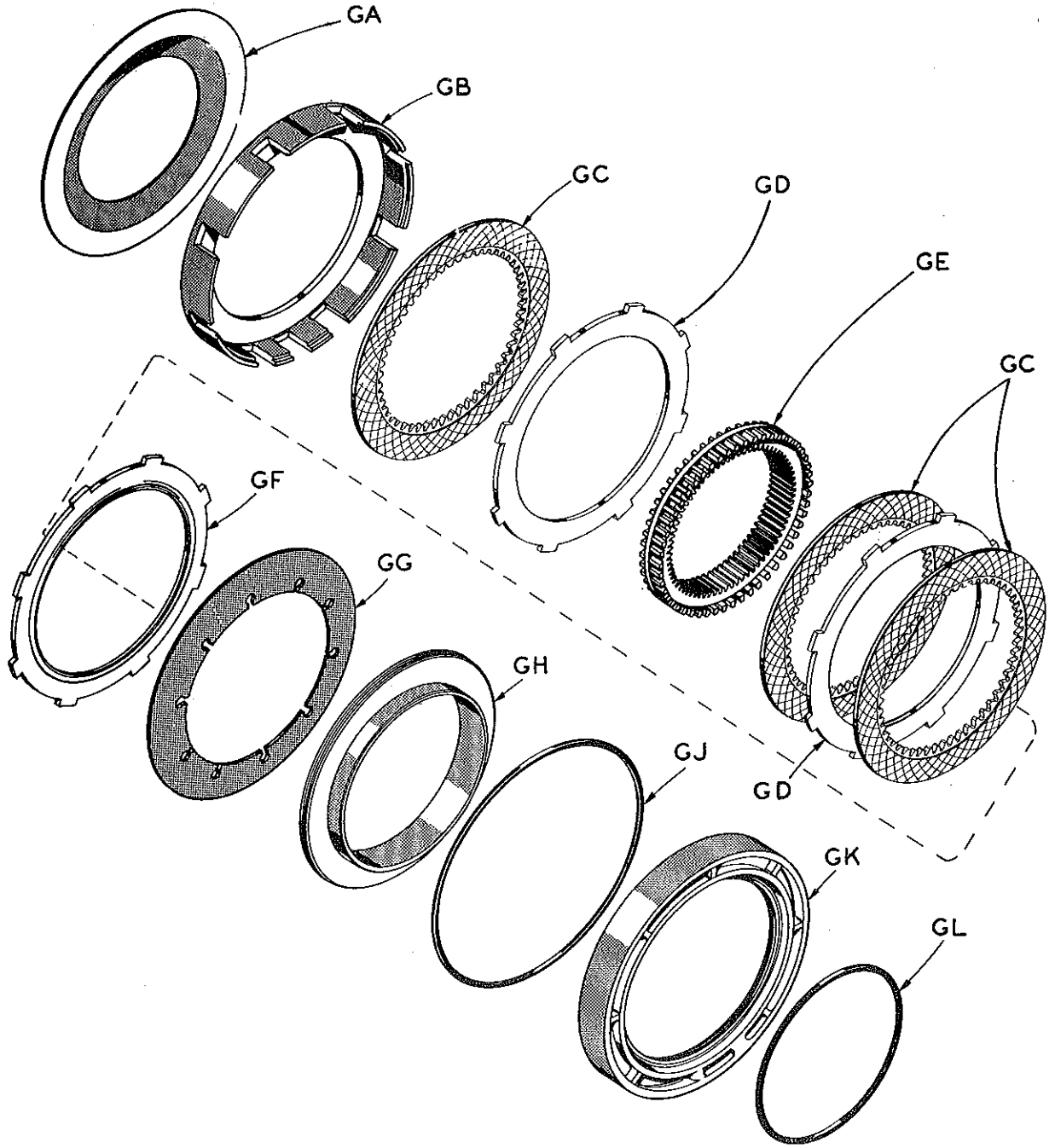
TORQMATIC TRANSMISSION ASSEMBLY

11-112-581



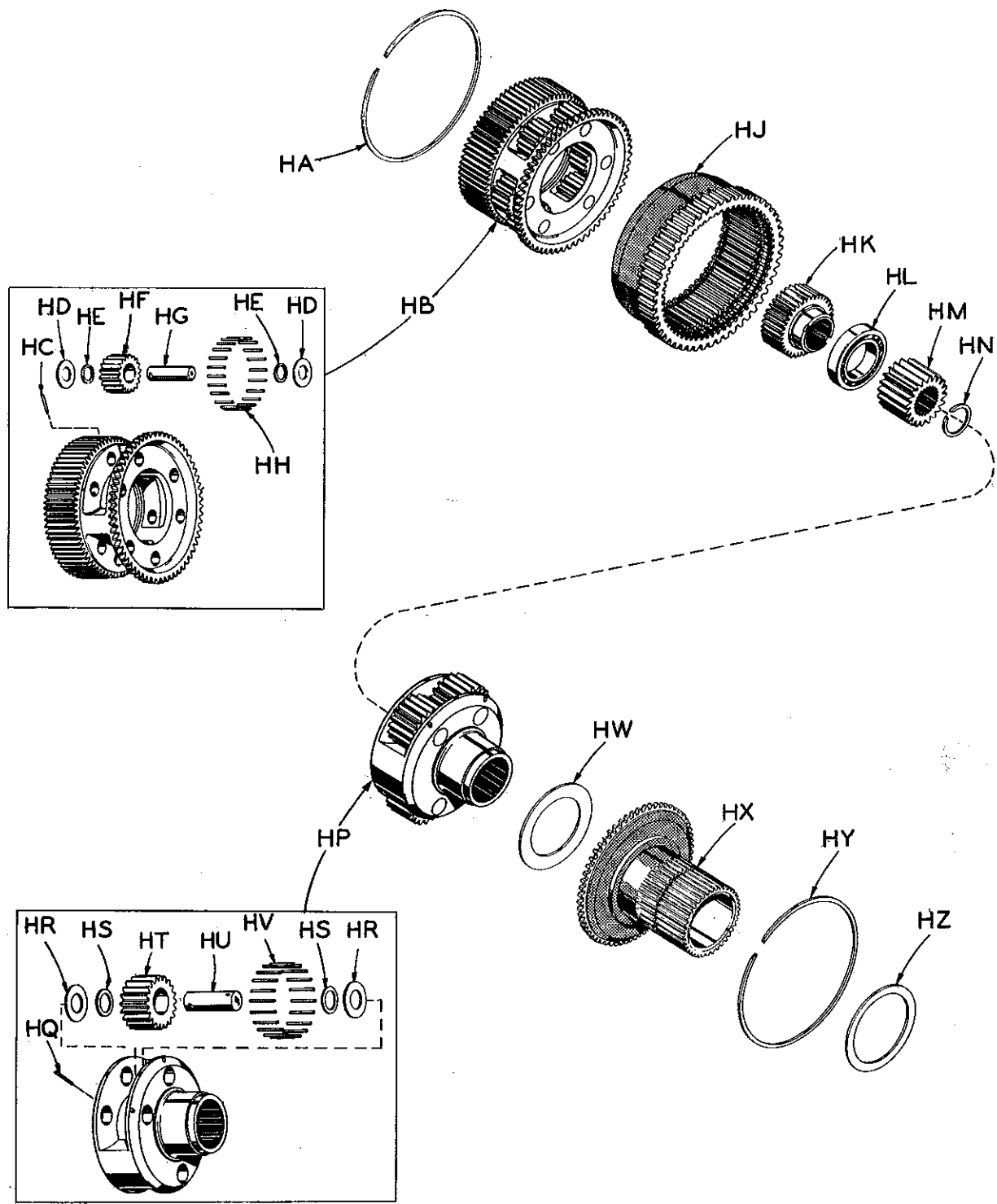
TORQMATIC TRANSMISSION ASSEMBLY

II-112-582

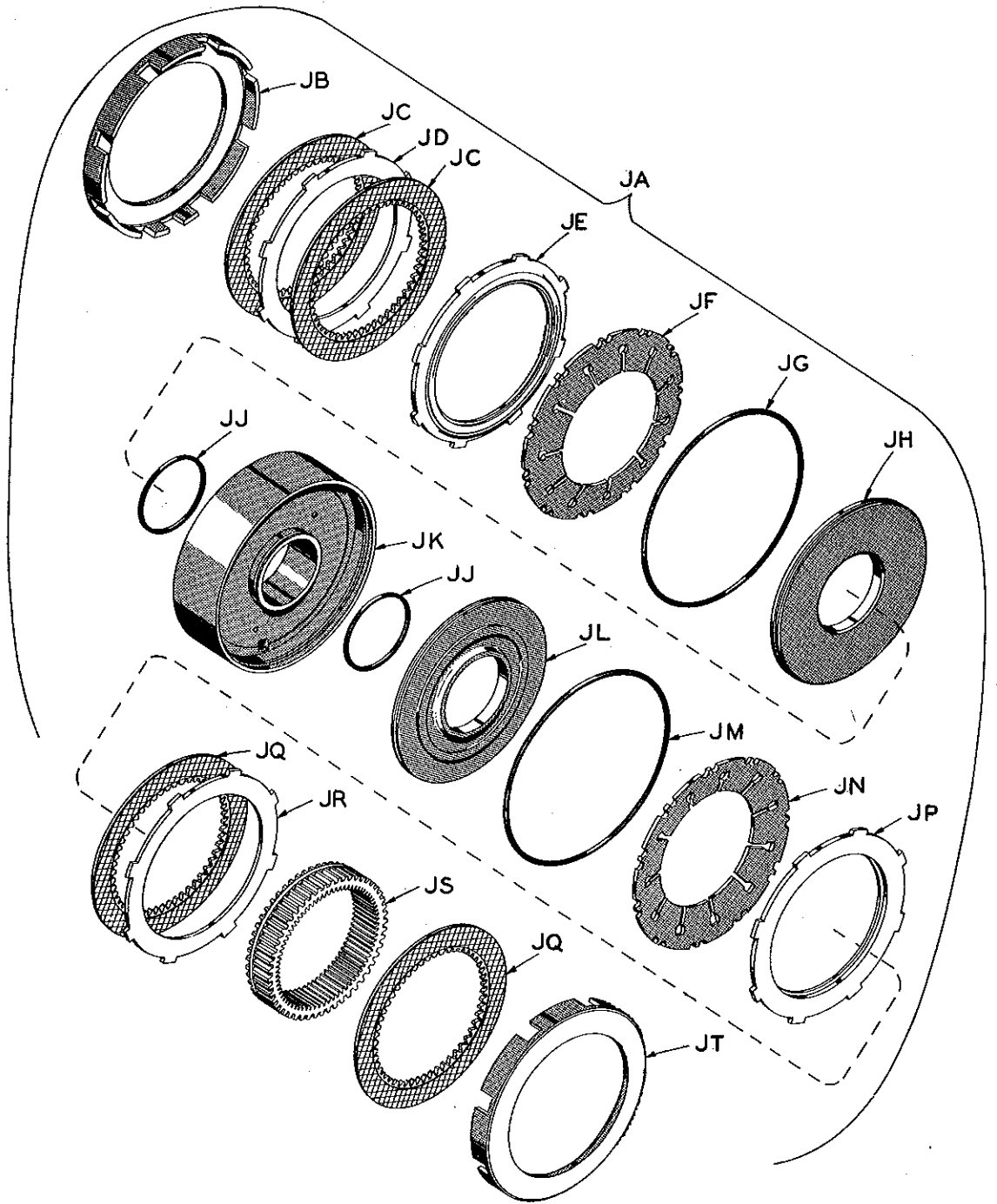


TORQMATIC TRANSMISSION ASSEMBLY

11-112-583

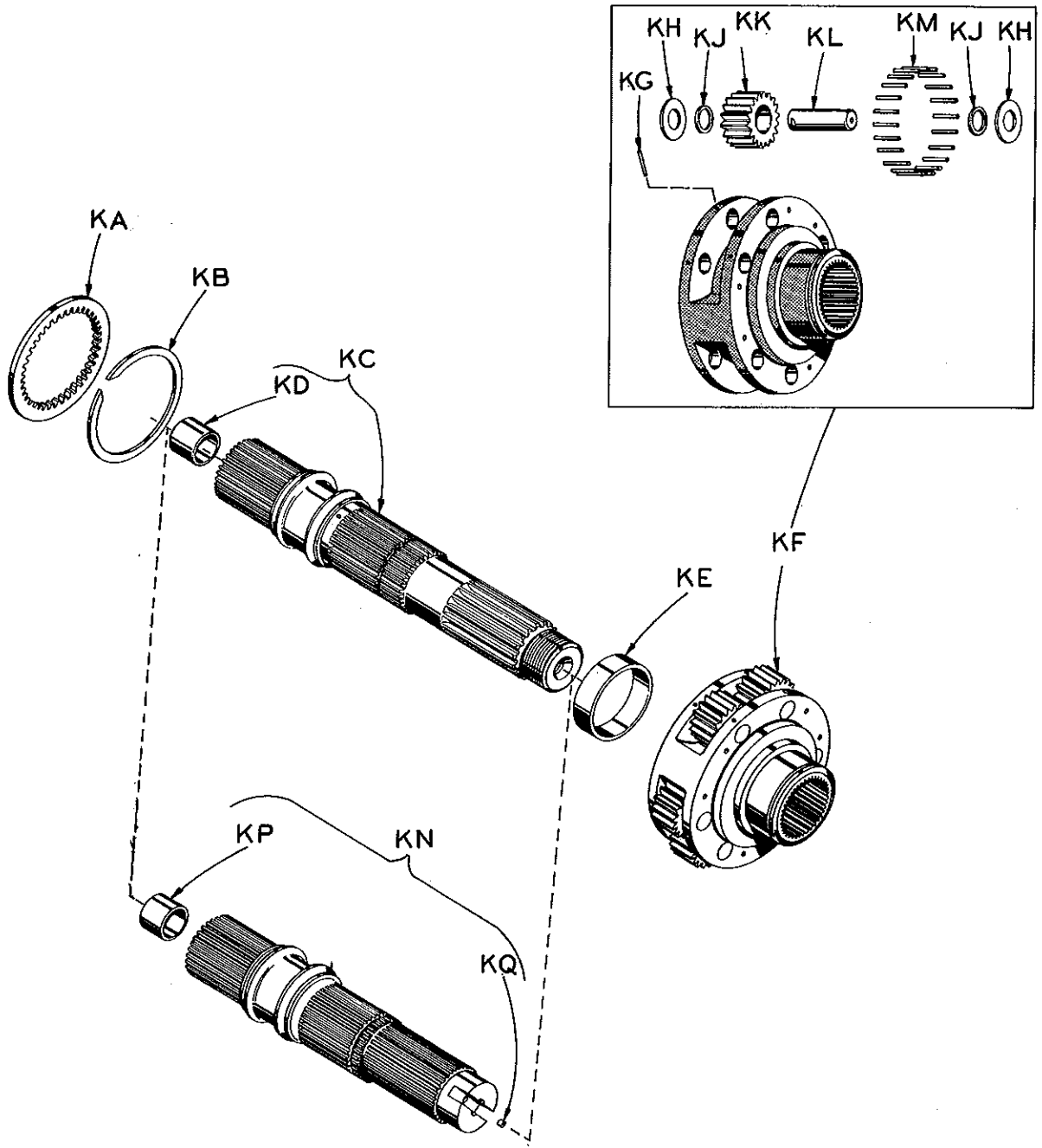


TORQMATIC TRANSMISSION ASSEMBLY



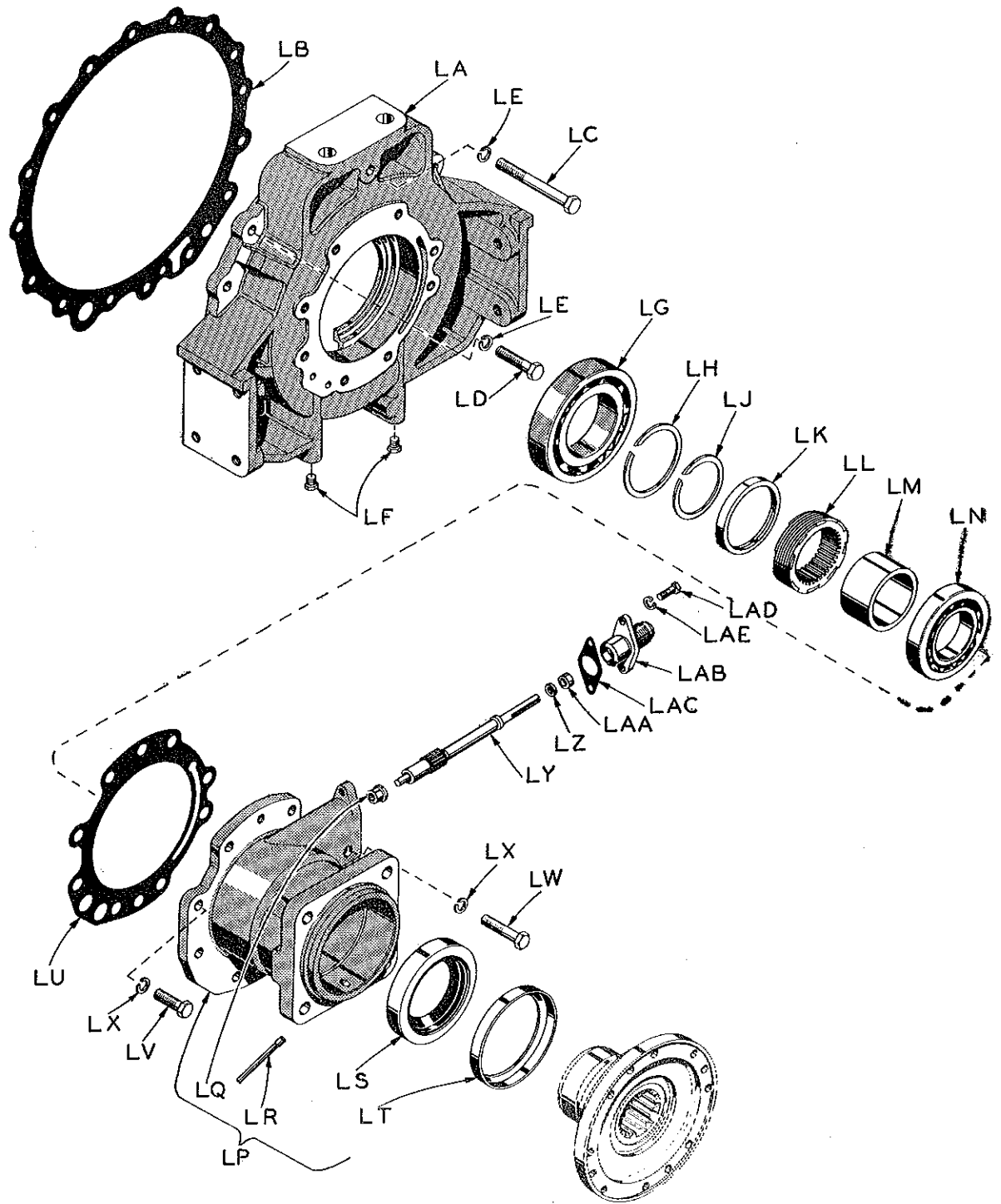
TORQMATIC TRANSMISSION ASSEMBLY

11-112-585



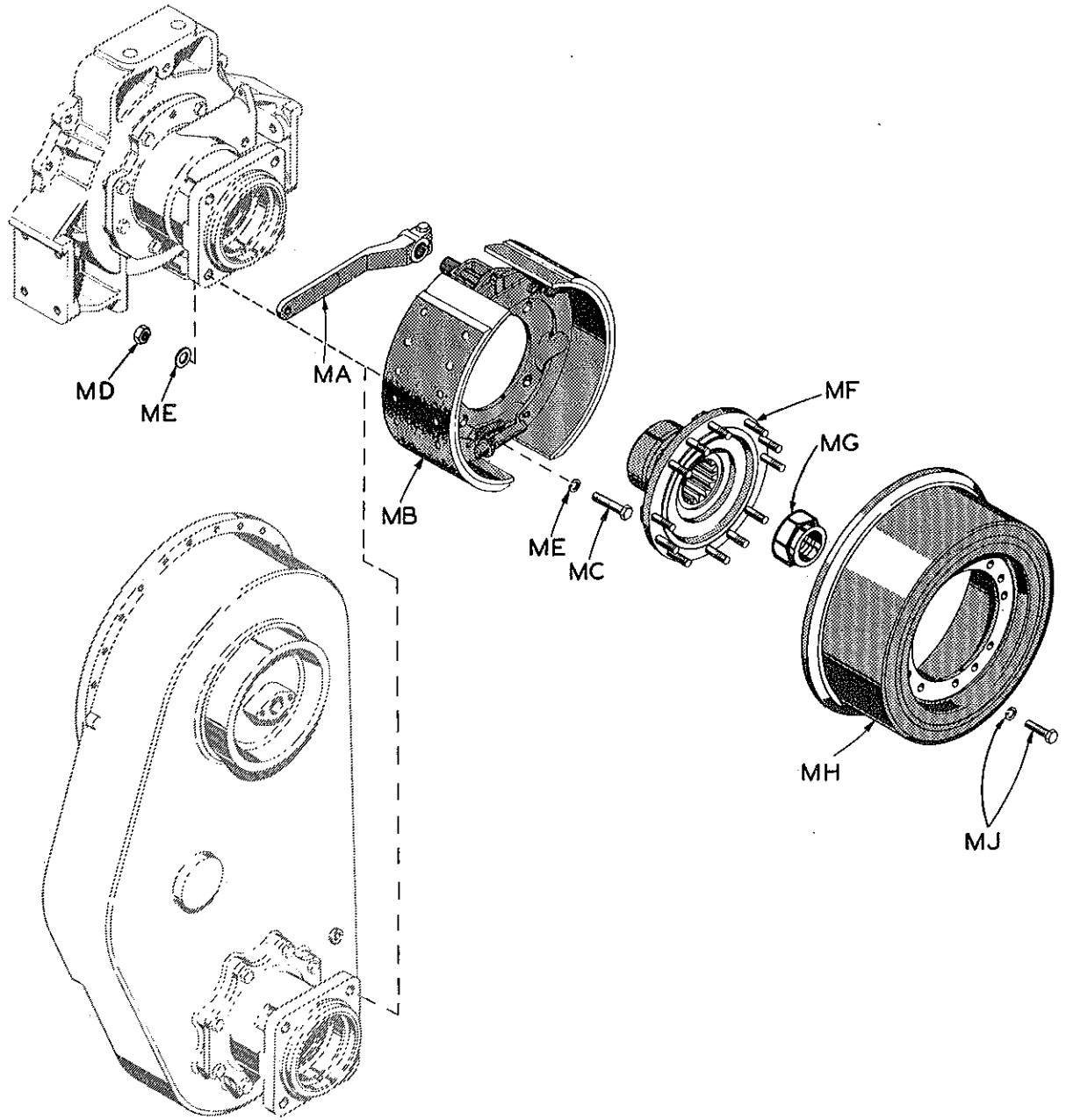
TORQMATIC TRANSMISSION ASSEMBLY II-112-586





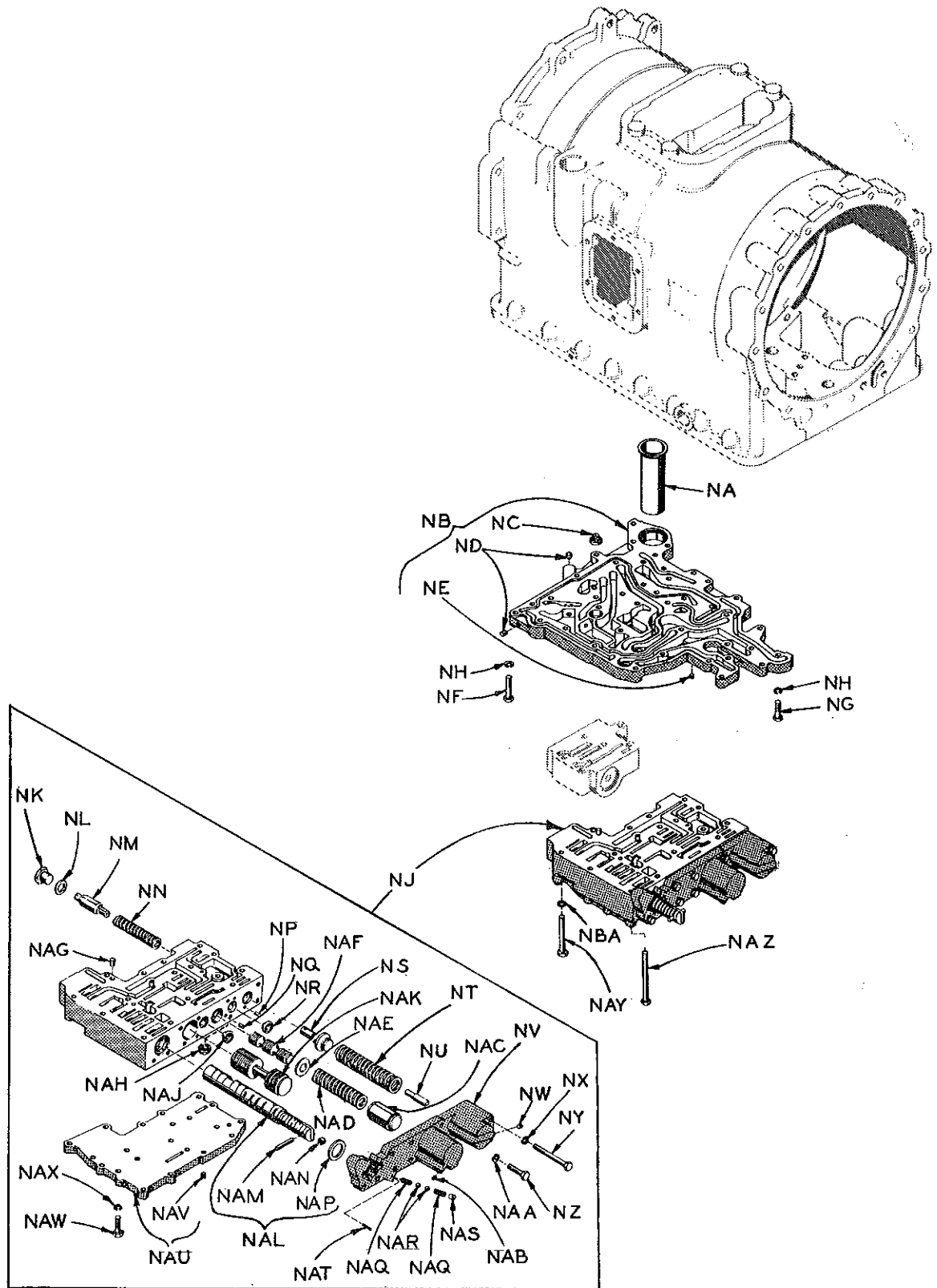
TORQMATIC TRANSMISSION ASSEMBLY

11-112-587

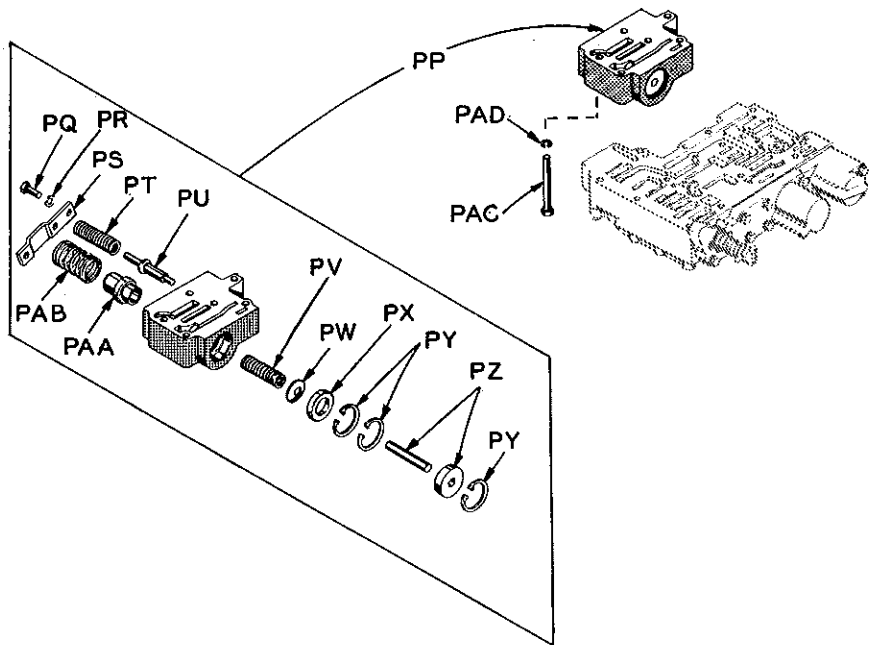
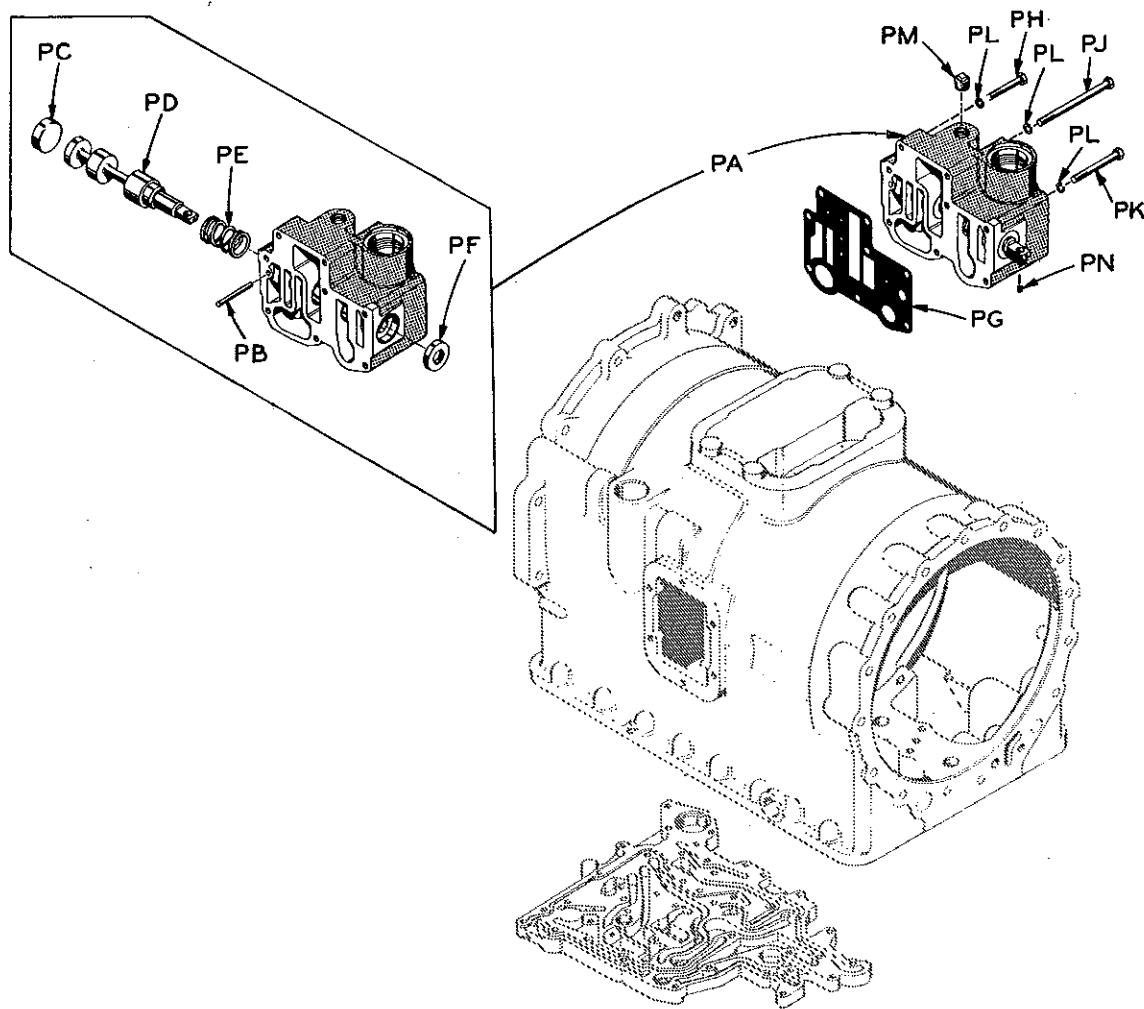


TORQMATIC TRANSMISSION ASSEMBLY

11-112-588



TORQMATIC TRANSMISSION ASSEMBLY



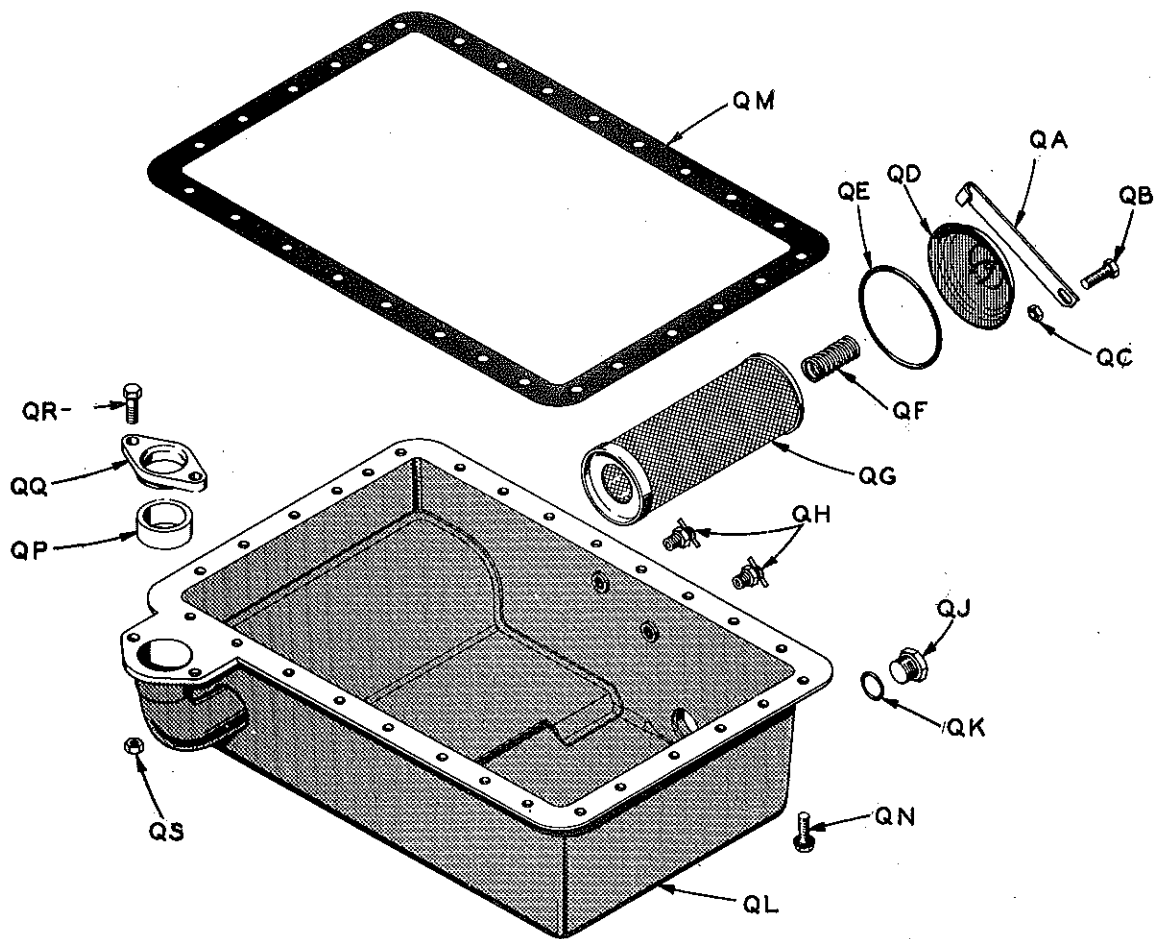
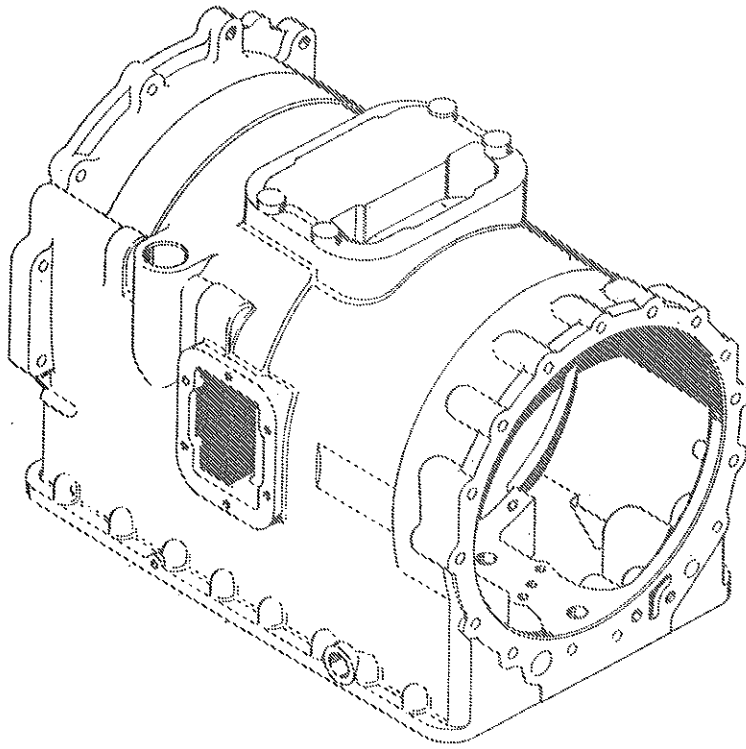


Illustration #11-112-577, 578, 579, (1)579 (2),  
11-112-580, 581, 582, 583, 584, 585, 586, 587,  
588, 589, 590 & 591.

KEY	PART NUMBER	DESCRIPTION	NO. REQ.
SECTION 239A - 11KBA 1451(OBLT 4440)			
NOTE: Key Letters Indicated on Illustration #11-112-577			
A thru G	*** **	DISC ASSEMBLY, Flex Attaching Parts: SCREW, Hex. hd. Self-locking (1/2-20 x 3/4 )	1
H	3AX 1366	FLYWHEEL ASSEMBLY Includes: GEAR, Flywheel Ring PIN, Dowel	12
J	108SH 25		1
K	121SH 493	NOTE: Key Letters Indicated on Illustration #11-112-578	1
L	79SZ 12		1
AA	342SH 253	RING, Seal Piston ID	1
AB	342SH 255	RING, Seal Piston OD.	1
AC	314SH 32	PISTON, Lockup Clutch	1
AD	308SH 79	PLATE, Lock up Clutch	1
AE	308SH 80	PLATE, Lock up Clutch	1
AF	201SH 38A	KEY, Backing Plate	1
AG	36SH 117	BEARING, Ball	1
AH	385SH 18	TURBINE	1
AJ	380SH 56	STATOR, Torque Converter	1
AK	366SH 185	SPRING, Stator Freewheel Roller	10
AL	346SH 29	ROLLER, Stator Freewheel	10
AM	352SH 16	RACE, Thrust Bearing	1
AN	36SH 118	BEARING, Thrust	1
AP	352SH 17	RACE, Stator Freewheel	1
AQ	342SH 256	RING, Snap External	1
AR	371SH 128	SPACER, Converter Pump	1
AS	380SH 16	LINK, Bearing Retainer	1
AT		Attaching Parts: SCREW, Hex. hd. 3/8-24 x 1-3/8 (1AX 13)	12
AU	347SH 64	RETAINER, Bearing	2
AV	36SH 123	BEARING, Double Row Ball	1
AW	363SH 34	RING, Seal, Torque Converter Pump	1
AX	311SH 37	PUMP, Torque Converter	1
AY	441SZ 405	Attaching Parts: WASHER	30
AZ	3AX 1213	SCREW, Hex. hd. Self-locking	30
AAA	Not Used		
AAB	122SH 96	GASKET, Converter Pump Hub	1
AAC	144SH 38	HUB, Converter Pump	1
AAD	342SH 257	RING, Seal (Hook Type)	1
NOTE: Key Letters Indicated on Illustration #11-112-579 (1)			
BA	311SH 38	PUMP ASSEMBLY, Input Charging Oil Includes:	1
BB	342SH 259	SEAL	1
BC	342SH 258	RING, Seal	1
NOTE: Key Letters Indicated on Illustration #11-112-579 (2)			
CA thru	Not Used		
CG	126SH 107	GASKET, Converter Housing	1
CH	142SH 76	HOUSING, Torque Converter Attaching Parts:	1
CJ	122SH 97	GASKET, Transmission Main Housing	1
CK		SCREW, Hex. hd. 1/2-13 x 2-1/4 (4AX 220)	8
CL		SCREW, Hex. hd. 1/2-13 x 14-1/2 (4AX 290)	6
** Furnished W/Engine			

KEY	PART NUMBER	DESCRIPTION	NO. REQ.
SECTION 239A - 11KBA 1451 (CBLT 4440) (Cont.)			
CM	**	SCREW	20
CN	**	SCREW	2
CP	**	WASHER	20
CQ	**	WASHER	2
CR	37AX 435	WASHER, Flat 1/2"	14
CS	42SH 91	COVER, Power Take-off Attaching Parts:	1
CT	126SH 76	GASKET	1
CU		SCREW, Hex. hd. 7/16-14 x 1-1/8 (4AX 49)	8
CV		WASHER, Lock, 7/16 I.D. (36AX 4)	8
OW	367SH 91	SLEEVE, Converter Ground Attaching Parts:	1
CX		SCREW, Hex. hd. 1/2-13 x 2-1/2 (4AX 290)	6
CY		WASHER, Lock, 1/2 I.D. (36AX 5)	6
CZ	342SH 260	RING, Seal (Hook Type)	2
CAA	301SH 27	PLUG, Converter Housing & Sleeve	2
CAB	301SH 67	PLUG, Converter Housing	1
CAC	104SH 37	FLANGE, Oil Tube	1
CAD	122SH 98	Attaching Parts: GASKET	1
CAE		SCREW, Hex. hd. 1/2-13 x 2-1/2 (4AX 290)	4
CAF		WASHER, Lock, 1/2 I.D. (36AX 5)	4
NOTE: Key Letters Indicated on Illustration #11-112-580			
DA	142SH 77	HOUSING, Splitter High Piston Attaching Parts:	1
DB	21SZ 131	SCREW, Hex. hd. Self-locking 3/8-16 x 1-1/8	11
DC	314SH 33	PISTON, Splitter High	1
DD	342SH 261	RING, Seal (OD. of Piston )	1
DE	342SH 262	RING, Seal (I.D. of Piston)	1
DF	366SH 186	SPRING, Piston Return	1
DG	342SH 263	RING, External Snap	1
DH	441SH 188	WASHER, Thrust	1
DJ	142SH 78	HOUSING ASSEMBLY, Splitter Direct Includes:	1
DK	21SH 70	BUSHING	1
DL	314SH 34	PISTON, Splitter Direct	1
DM	342SH 26	RING, Seal (Hook Type)	1
DN	342SH 265	RING, Seal	1
DP	366SH 187	SPRING, Piston Return	1
DQ	342SH 131	RING, External Snap	1
DR	308SH 82	PLATE, Internal Splined	2
DS	308SH 81	PLATE, External Splined	1
DT	308SH 83	PLATE ASSEMBLY, Clutch Backing	1
DU	342SH 267	RING, Internal Snap	1
DV	308SH 84	PLATE, External Splined	3
DW	308SH 90	PLATE, Internal Splined	3
DX	342SH 130A	RING, Seal (Hook Type)	1
DY	342SH 268	RING, Seal (Hook Type)	3
DZ	441SH 189	WASHER, Thrust	1
DAA	44SH 41	CARRIER ASSEMBLY, Splitter Clutch Planetary Includes:	1
DAB	302SH 101	PIN	4
DAC	441SH 190	WASHER	8
DAD	371SH 129	SPACER	8
DAE	310SH 24	PINION, (Matched Set of 4 Pinion)	1
DAF	380SH 57	SPINDLE	4
DAG	346SH 30	ROLLER	1
** Furnished W/Engine			

KEY	PART NUMBER	DESCRIPTION	NO. REQ.
SECTION 239A - 1LKBA 1451 (CBLT 4440) (Cont.)			
NOTE: Key Letters Indicated on Illustration #11-112-581			
EA	308SH 85	PLATE, Splitter Clutch Reaction	1
EB	342SH 269	RING, Seal	1
EC	342SH 270	RING, Seal (Hook Type)	1
ED	441SH 191	WASHER, Thrust	1
EE	Not Used		
EF	Not Used		
EG	372SH 82	SHAFT & ROTOR ASSEMBLY, Retarder Includes: BUSHING	1
EH	21SH 71	BEARING, Ball	1
EJ	36SH 119	DIAPHRAGM, High Range Clutch & Retarder	1
EK	42SH 126	Attaching Parts: SCREW, Hex. hd. 1/4-28 x 1-3/8 (1AX 48) WASHER, Lock, 1/4 I.D. (36AX 1)	2
EL			2
EM			1
EN	342SH 269	RING, Seal	1
EP	384SH 53	PITOT TUBE, Front	1
EQ	144SH 39	HUB ASSEMBLY, High Range Clutch Attaching Parts: SCREW, Hex. hd. Self-locking 3/8-16 x 3/4 WASHER, Thrust	1
ER	21SZ 167		6
ES	441SH 188	RING, Seal (Hook Type)	1
ET	342SH 260	RING, Internal Snap	2
EU	342SH 271	BEARING, High Range Clutch Housing Roller	1
EV	36SH 120		1
EW	Not Used		
EX	Not Used		
EY	142SH 79	HOUSING ASSEMBLY, High Range Clutch	1
EZ	121SH 494	GEAR, Power Take-off	1
EAA	342SH 264	RING, Seal (Hook Type)	1
EAB	342SH 265	RING, Seal	1
EAC	311SH 39	PISTON ASSEMBLY, High Range Clutch	1
EAD	366SH 188	SPRING, Piston Return	13
EAE	350SH 32	RETAINER, Spring	1
EAF	342SH 272	RING, External Snap	1
EAG	308SH 82	PLATE, Internal Splined	4
EAH	308SH 81	PLATE, External Splined	3
EAJ	308SH 86	PLATE ASSEMBLY, High Clutch Backing	1
EAK	342SH 267	RING, Internal Snap	1
NOTE: Key Letters Indicated on Illustration #11-112-582			
FA	33SH 19	BREATHER, Oil	1
FB	142SH 80	HOUSING ASSEMBLY, Transmission Includes: NIPPLE, Oil Breather SLEEVE, Selector Shaft PIN, Dowel SPRING	1
FC	262SH 12		1
FD	367SH 92		1
FE	302SH 98		2
FF	366SH 188		1
FG	421SH 31	VALVE, Converter Pressure Regulator Secondary	1
FH	130SH 11	GUIDE	1
FJ	367SH 93	SLEEVE	1
FK	Not Used		
FL		Attaching Parts: SCREW, Hex. hd. 1/2-13 x 2-1/4 (4AX 220)	2
FM		WASHER, Lock, 1/2 I.D. (36AX 5)	2
FN	42SH 91	COVER, Power Take-off (Top) Attaching Parts: GASKET	1
FP	126SH 76		1
FQ		SCREW, Hex. hd. 7/16-14 NC x 1-1/8 (4AX 49)	8
FR		WASHER, Lock 7/16 I.D. (36AX 4)	8



KEY	PART NUMBER	DESCRIPTION	NO. REQ.
SECTION 239A - 11KBA 1451 (CBLP 4440) (Cont.)			
FS	42SH 127	COVER, Power Take-off (Sides)	2
FT	122SH 99	Attaching Parts: GASKET	2
FU		SCREW, Hex. hd. 3/8-16 x 1 (4AX 65)	12
FV		WASHER, Lock, 3/8 I.D. (36AX 3)	12
FW	32SH 26	BOLT, Anchor Inter, Low & Reverse Range Clutch Reaction Housing	3
		Attaching Parts:	
FX	261SZ 319	NUT, Plain 5/8-18	3
FY	441SH 192	WASHER, Flat	3
FAA		BOLT, Hex. hd. (3/8-16 x 2-1/4) Inter, Lower & Reverse Range Clutch Piston Housing (4AX 227)	2
		Attaching Parts:	
FAB	376SH 95	WASHER, Plain 3/8 I.D.	2
FAC		WASHER, Lock 3/8 I.D. (36AX 3)	2
FAD	228SH 22	LEVER ASSEMBLY, Selector Shaft	1
FAE	342SH 273	RING, Seal	1
FAF	303SH 45	PLATE, Name	1
		Attaching Parts:	
FAG	366SZ 18	SCREW, Drive	4
FAH	342SH 274	RING, External Snap	1
FAJ	228SH 23	LEVER	1
		Attaching Parts:	
FAK		SCREW, Hex. hd. 3/8-24 x 2 (1AX 34)	1
FAL	261SZ 320	NUT, Plain 3/8-24	1
FAM		WASHER, Lock (3/8 I.D.) (36AX 3)	1
FAN		SCREW, Hex. hd. 5/16-18 x 3 (4AX 132)	1
FAP		SCREW, Hex. hd. 5/16-18 x 2-1/4 (4AX 109)	1
		Attaching Parts:	
FAQ	37AX 68	WASHER, Plain 5/16 I.D.	2
FAR		WASHER, Lock 5/16 I.D. (36AX 22)	2
FAS		SCREW, Hex. hd. 1/2-13 x 2-1/2 Splitter Clutch Reaction Plate (4AX 290)	1
		Attaching Parts:	
FAT	37AX 435	WASHER, Plain 1/2 I.D.	1
FAU		WASHER, Lock 1/2 I.D. (36AX 5)	1
FAV	301SH 27	PLUG, 1/8	1
NOTE: Key Letters Indicated on Illustration #11-112-583			
GA	37SH 16	BAFFLE	
GB	121SH 495	HOUSING, Intermediate Range Clutch Reaction	1
GC	308SH 87	PLATE, Internal Splined	3
GD	308SH 88	PLATE, External Splined	2
GE	121SH 496	GEAR, Intermediate Clutch Ring	1
GF	303SH 46	PLATE, Clutch Apply	1
GG	366SH 189	SPRING, Intermediate Piston Return	1
GH	314SH 35	PISTON, Intermediate Range Clutch	1
GJ	342SH 275	RING, Seal	1
GK	142SH 81	HOUSING, Intermediate Range Clutch Piston	1
GL	342SH 276	RING, Seal	1
NOTE: Key Letters Indicated on Illustration #11-112-584			
HA	342SH 277	RING, Internal Snap	1
HB	44SH 42	CARRIER ASSEMBLY, Inter Range Clutch Planetary	1
		Includes:	
HC	302SH 102	PIN	6
HD	441SH 193	WASHER, Thrust	12
HE	371SH 130	SPACER	12
HF	310SH 25	PINION SET, (Matched Set of 6 Pinions)	1
HG	380SH 58	SPINDLE	6
HH	346SH 30	ROLLER	132
HJ	121SH 495	GEAR, Low Range Ring	1

KEY	PART NUMBER	DESCRIPTION	NO. REQ.
<u>SECTION 239A - 1LKBA 1451 (CBLT 4440) (Cont.)</u>			
HK	121SH 497	GEAR, Intermediate Range Sun	1
HL	36SH 119	BEARING, Inter Sun Gear Ball	1
HM	121SH 498	GEAR, Low Range Sun	1
HN	342SH 278	RING, External Snap	1
HP	44SH 43	CARRIER ASSEMBLY, Low Range Clutch Planetary Includes:	1
HQ	302SH 101	PIN	4
HR	441SH 194	WASHER, Thrust	8
HS	371SH 131	SPACER	8
HT	310SH 26	PINION SET, (Matched Set of 4 Pinions)	1
HU	380SH 59	SPINDLE	4
HV	346SH 31	ROLLER	80
HW	441SH 195	WASHER, Thrust	1
HX	121SH 499	GEAR, Reverse Sun	1
HY	342SH 277	RING, Internal Snap	1
HZ	441SH 196	WASHER, Thrust	1
NOTE: Key Letters Indicated on Illustration #11-112-585			
JA	48SH 28	CLUTCH MATCHING ASSEMBLY, Low & Reverse Range Includes:	1
JB	142SH 82	HOUSING, Low Range Clutch Reaction	1
JC	308SH 87	PLATE, Internal Splined	2
JD	308SH 88	PLATE, External Splined	1
JE	303SH 47	PLATE, Low Range Clutch Backing	AR
JE	303SH 48	PLATE, Low Range Clutch Backing	AR
JF	366SH 190	SPRING, Low Range Clutch Piston Return	1
JG	342SH 275	RING, Seal	1
JH	314SH 36	PISTON, Low Range Clutch	1
JJ	342SH 279	RING, Seal	2
JK	142SH 83	HOUSING, Low & Reverse Range Clutch Piston	1
JL	314SH 36	PISTON, Reverse Range Clutch	1
JM	342SH 275	RING, Seal	1
JN	366SH 190	SPRING, Reverse Range Clutch Piston Return	1
JP	303SH 47	PLATE, Reverse Range Clutch Backing	AR
JP	303SH 48	PLATE, Reverse Range Clutch Backing	AR
JQ	308SH 87	PLATE, Internal Splined	2
JR	308SH 88	PLATE, External Splined	1
JS	121SH 500	GEAR, Reverse Range Clutch Ring	1
JT	142SH 84	HOUSING, Reverse Range Clutch Reaction	1
NOTE: Key Letters Indicated on Illustration #11-112-586			
KA	371SH 132	SPACER	1
KB	342SH 280	RING, External Snap	1
KC	372SH 83	SHAFT ASSEMBLY, Output Drive Includes:	1
KD	21SH 72	BUSHING	1
KE	371SH 133	SPACER	1
KF	44SH 44	CARRIER ASSEMBLY, Reverse Range Clutch Planetary Includes:	1
KG	302SH 101	PIN	6
KH	441SH 193	WASHER, Thrust	12
KJ	371SH 130	SPACER	12
KK	310SH 27	PINION SET, (Matched Set of 6 Pinions)	1
KL	380SH 60	SPINDLE	6
KM	346SH 32	ROLLER	132
KN thru KQ	Not Used		

KEY	PART NUMBER	DESCRIPTION	NO. REQ.
SECTION 239A - 11KBA 1451 (CBLT 4440) (Cont.)			
NOTE: Key Letters Indicated on Illustration #11-112-587			
LA	42SH 128	COVER, Transmission Rear	1
LB	123SH 44P3	Attaching Parts: GASKET, {.012}	AR
LB	123SH 44P1	GASKET, {.016}	AR
LB	123SH 44P2	GASKET, {.021}	AR
LC		SCREW, Hex. hd. 1/2-13 x 4 (4AX 133)	1
LD		SCREW, Hex. hd. 1/2-13 x 1-3/4 (4AX 44)	15
LE		WASHER, Lock, 1/2 I.D. (36AX 5)	16
LF	301SH 67	PLUG, 1/8 NPTF	2
LG	36SH 121	BEARING, Ball	1
LH	342SH 281	RING, External Snap	1
LJ	342SH 282	RING, External Snap	1
LK	371SH 134	SPACER,	1
LL	121SH 501	GEAR, Speedo Drive	1
LM	371SH 135	SPACER	1
LN	36SH 122	BEARING, Ball	1
LP	347SH 63	RETAINER ASSEMBLY, Bearing	1
LQ	21SH 59	Includes: BUSHING	1
LR	384SH 54	TUBE, Drain	1
LS	363SH 28	SEAL, Oil	1
LT	37SH 15	BAFFLE	1
LU	124SH 73	Attaching Parts: GASKET	1
LV		SCREW, Hex. hd. 1/2-13 x 1-5/8 (4AX 38)	7
LW		SCREW, Hex. hd. 1/2-13 x 2-3/4 (4AX 223)	1
LX		WASHER, Lock, 1/2 I.D. (36AX 5)	8
LY	372SH 84	SHAFT & GEAR, Speedo Driven	1
LZ	441SH 125	WASHER, Speedo Driven Shaft	1
LAA	441SH 126	SEAL, Speedo Driven Shaft	1
LAB	367SH 57	SLEEVE, Speedo Driven Shaft	1
LAC	122SH 40	Attaching Parts: GASKET	1
LAD		SCREW, Hex. hd. 5/16-24 x 7/8 (1AX 19)	2
LAE		WASHER, Lock, (5/16 I.D.) (36AX 2)	2
NOTE: Key Letters Indicated on Illustration #11-112-588			
MA	226SH 23	LEVER, Brake Apply	1
MB	31SH 12	BRAKE, Mechanical Actuated	1
MC	21SZ 153	Attaching Parts: BOLT, Hex. hd. 5/8-18 x 2	4
MD	261SZ 296	NUT, 5/8-18	4
ME	441SZ 408	WASHER, Plain 5/8 I.D.	8
MF	104SH 36	FLANGE, Brake Mounting	1
MG	261SH 53	NUT, Output Shaft	1
MH	61SH 27	DRUM, Brake	1
MJ	Not Used		
NOTE: Key Letters Indicated on Illustration #11-112-587			
NA	384SH 55	TUBE	1
NB	308SH 89	PLATE ASSEMBLY, Oil Transfer	1
NC	421SH 77	Includes: VALVE, Check	1
ND	301SH 69	PLUG	2
NE	301SH 70	PLUG	1
NF		Attaching Parts: SCREW, Hex. hd. 1/4-20 x 1-3/8 (4AX 105)	10
NG		SCREW, Hex. hd. 1/4-20 x 1 (4AX 22)	10

KEY	PART NUMBER	DESCRIPTION	NO. REQ.
SECTION 239A - 11KBA 1451 (CBLT 4440)(Cont.)			
NH		WASHER, Lock, 1/4 I.D. (36AX 1)	20
NJ	421SH 86	VALVE ASSEMBLY, Control Includes:	1
NK	301SH 71	PLUG	1
NL	126SH 110	GASKET, Plug	1
NM	421SH 87	VALVE, Main Regulator	1
NN	366SH 191	SPRING, Main Regulator Valve	1
NP	302SH 103	PIN	1
NQ	302SH 104	PIN	1
NR	421SH 77	VALVE ASSEMBLY	1
NS	421SH 88	VALVE, Main Regulator Plug	1
NT	366SH 192	SPRING, Main Regulator Plug Valve	1
NU	421SH 89	VALVE, Throttle Plug	1
NV	42SH 129	COVER, Valve Body Rear	1
NW	368SZ 48	SCREW, Hex. Socket hd. 10/24 x 3/16	1
NX		WASHER, Lock (1/4 I.D.) (36AX 1)	3
NY		SCREW, Hex. hd. 1/4-20 x 2-1/2 (4AX 283)	3
NZ		SCREW, Hex. hd. 1/4-20 x 1-1/8 (4AX 259)	7
NAA		WASHER, Lock (1/4 I.D.) (36AX 1)	7
NAB	368SZ 48	SCREW, Hex. Socket hd. 10/24 x 3/16	1
NAC	421SH 90	VALVE, Lock-up Plug	1
NAD	366SH 193	SPRING	1
NAE	441SH 197	WASHER	1
NAF	421SH 91	VALVE, Lockup Shift	1
NAG	320SH 105	PIN	1
NAH	421SH 77	VALVE ASSEMBLY	1
NAJ	421SH 33	VALVE ASSEMBLY	1
NAK	421SH 92	VALVE, Flow	1
NAL	421SH 93	VALVE ASSEMBLY, Manual Selector Includes:	1
NAM	302SH 106	PIN	1
NAN	21SH 73	BUSHING	1
NAP	441SH 198	WASHER, Stop	1
NAQ	366SH 194	SPRING, Detent	2
NAR	27SH 21	BALL, Detent	2
NAS	79SZ 15	PIN	1
NAT	302SH 107	PIN	1
NAU	42SH 130	COVER ASSEMBLY, Valve Body Bottom	1
NAV	Not Used	PLUG Attaching Parts:	
NAW		SCREW, Hex. hd. 1/4-20 x 1 (4AX 22)	5
NAX		WASHER, Lock 1/4 I.D. (36AX 1) Attaching Parts:	5
NAY		SCREW, Hex. hd. 1/4-20 x 2-1/2 (4AX 283)	1
NAZ		SCREW, Hex. hd. 1/4-20 x 3-1/2 (4AX 284)	15
NBA		WASHER, Lock 1/4 I.D. (36AX 1)	1
NOTE: Key Letters Indicated on Illustration #11-112-590			
PA	421SH 94	VALVE ASSEMBLY, Torqmatic Retarder Control Includes:	1
PB	302SH 108	PIN, Stop	1
PC	52SH 22	CAP	1
PD	421SH 95	VALVE, Retarder	1
PE	366SH 195	SPRING, Return	1
PF	363SH 51	SEAL Attaching Parts:	1
PG	126SH 111	GASKET	1
PH		SCREW, Hex. hd. 5/16-18 x 2 (4AX 271)	2
PJ	361SZ 510	SCREW, Hex. hd. 5/16-18 x 4-1/2	4
PK		SCREW, Hex. hd. 5/16-18 x 2-3/4 (4AX 255)	2
PL		WASHER, Lock, 5/16 I.D. (36AX 22)	8



TITLE TORQMATIC TRANSMISSION ASSEMBLY

Quantity used is 1 unless otherwise specified in brackets ( ).

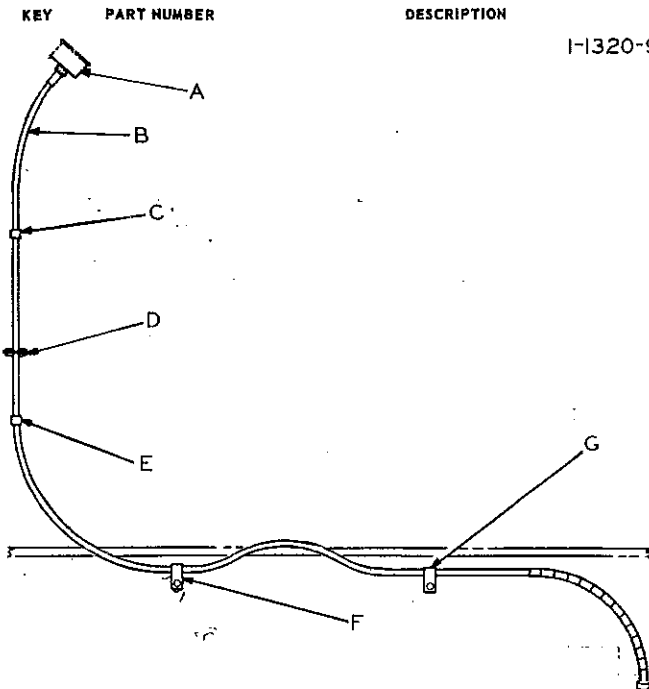
KEY	PART NUMBER	DESCRIPTION	KEY	PART NUMBER	DESCRIPTION
SECTION 239A- 1LKBA 1451(CBLT 4440)(Cont.)			See Illustration #11-112-584.		
PM	301SH 72	PLUG, Pipe 1/2"	HA	342SH 277	RING, Int Snap
PN	301SH 27	PLUG, Pipe 1/8"	HB	44SH 56	CARRIER ASSY, Inter Range Clch Planetary
PP	421SH 98	VALVE ASSY, Conv & Tube Press Reg			Includes:
PQ	4AX 2	SCREW, 1/4-20 x 3/4 (3)	HC	302SH 127	PIN (6)
PR	36AX 1	WASHER, 1/4 ID (3)	HD	441SH 236	WASHER, Thrst (12)
PS	350SH 33	RETAINER	HE	371SH 130	SPACER (12)
PT	366SH 196	SPRING, Lube Reg Vlv	HF	310SH 32	PINION SET(Matched Set of 6 Pin)(1-Set)
PU	421SH 96	VALVE, Lube Reg			SPINDLE (6)
PV	366SH 128	SPRING	HG	380SH 82	ROLLER (132)
PW	421SH 42	VALVE, Conv Press Reg Pri	HH	346SH 30	GEAR, Low Range Ring
PX	380SH 30	SEAT, Vlv	HJ	121SH 495	GEAR, Int/M Range Sun
PY	342SH 283	RING, Int Snap (3)	HK	121SH 601	BEARING, Inter Sun Gr Ball
PZ	130SH 16	GUIDE ASSY	HL	36SH 165	GEAR, Low Range Sun
PAA	421SH 97	VALVE	HM	121SH 602	RING, Extl Snap
PAB	366SH 197	SPRING	HN	342SH 278	CARRIER ASSY, Low Range Clch Planetary
PAC	4AX 260	Attaching Parts:	HP	44SH 57	Includes:
PAD	36AX 1	SCREW, 1/4-20 x 3 (6)	HQ	302SH 126	PIN (4)
		WASHER,(1/4 ID)(6)	HR	441SH 208	WASHER, Thrst (8)
		See Illustration #11-112-591	HS	371SH 130	SPACER, (12)
QA	58SH 14	STRAP,Cov	HT	310SH 33	PINION SET(Matched Set of 4 Pin)(1-Set)
		Attaching Parts:	HU	380SH 83	SPINDLE (4)
QB	1AX 114	SCREW, 5/16-24 x 1	HV	346SH 38	ROLLER(176)
QC	20AX 2	NUT, 5/16-24			See Illustration #11-112-587.
QD	42SH 131	COVER, Filt	LA	42SH 137	COVER, Trans Rr
QE	342SH 284	RING, Seal	LF	301SH 67	PLUG, (1/8 NPTF)
QF	366SH 108	SPRING	LP	347SH 72	RETAINER ASSY, Brg
QG	360SH 14	SCREEN, Oil	LR	Omit	
QH	61AX 76	PETCOCK, Oil Lvr Check (2)			See Illustration #11-112-588.
QJ	301SH 71	PLUG, Oil Drn			
		Attaching Parts:			
QK	126SH 113	GASKET			
QL	313SH 15	PAN, Oil	MA	)	
		Attaching Parts:	thru	) Omit	
QM	126SH 112	GASKET	ME	)	
QN	4AX 32	SCREW, 5/16-18 x 7/8 (29)	MF	104SH 49	FLANGE, Brk Mtg
QP	363SH 52	SEAL	MH	Omit	
QQ	104SH 38	FLANGE			
		Attaching Parts:			
QR	1AX 17	SCREW, 3/8-24 x 1-3/8 (2)			See Illustration #11-112-590.
QS	20AX 3	NUT, 3/8-24 (2)	PA	2SH 28	ADAPTER
		SECTION 239B- 1LKBA 1466 (CLT4460)	PB	)	
		Same as Section 239A Except	thru	) Omit	
		See Illustration #11-112-578.	PF	)	
			PG	126SH 123	GASKET
AX	311SH 42	PUMP, Tor Conv			
		See Illustration #11-112-580.			
DJ	42SH 166	HOUSING ASSY, Splitter Direct			
DAA	21SH 70	CARRIER ASSY, Splitter Clch Planetary			
		Includes:			
DAB	302SH 126	PIN (4)			
DAC	441SH 236	WASHER (8)			
DAD	371SH 130	SPACER (8)			
DAE	310SH 31	PINION (Matched Set of 4 Pin) (1-Set)			
DAF	380SH 81	SPINDLE(4)			
DAG	346SH 37	ROLLER (88)			
		See Illustration #11-112-583.			
GE	121SH 600	GEAR, Int/M Clch Ring			





TITLE SPEEDOMETER CABLE ARRANGEMENT

Quantity used is 1 unless otherwise specified in brackets ( ).



KEY	PART NUMBER	DESCRIPTION
		SECTION 21F - LMTA 49P1 Same as Section 21A Except
B	98AX 1854	CABLE ASSY, 108"L
C	83AX 549	CLAMP, Speed Cable
C-1	4AX 34	SCREW, 3/8-16 NC x 5/8
C-2	36AX 3	WASHER, 3/8 ID
D )		
Thru )	Omit	
G )		

KEY	PART NUMBER	DESCRIPTION
		SECTION 21G - LMTA 49P2 Same as Section 21A Except
B	98AX 1850	CABLE ASSY, 100" L
C	83AX 549	CLAMP, Speed Cable
C-1	4AX 34	SCREW, 3/8-16 NC x 5/8
C-2	36AX 3	WASHER, 3/8 ID
D )		
Thru )	Omit	
G )		

KEY	PART NUMBER	DESCRIPTION
		SECTION 21H - LMTA 45P4 Same as Section 21A Except
A-1	98AX 4303	CABLE, Speed 8"L

KEY	PART NUMBER	DESCRIPTION
		SECTION 21J - LMTA 139 Same as Section 21A Except

KEY	PART NUMBER	DESCRIPTION
		SECTION 21K - LMTA 137 Same as Section 21A Except
B	54MT 31P150	CABLE ASSY, 150"L
		SECTION 21L - LMTA 138 Same as Section 21A Except
B	98AX 1423	CABLE ASSY, 166"L

KEY	PART NUMBER	DESCRIPTION
		SECTION 21M - LMTA 144 Same as Section 21A Except
B	98AX 1412	CABLE ASSY, 202"L

KEY	PART NUMBER	DESCRIPTION
		SECTION 21N - LMTA 141 Same as Section 21A Except
B	98AX 1436	CABLE ASSY, 178"L
G-1	176MS 113	DRIVE TIP, Speed
G-2	119AX 3201	ADAPTER, Sleeve Ext
G-3	119AX 3614	ADAPTER, Speed

KEY	PART NUMBER	DESCRIPTION
		SECTION 21O - LMTA 142 Same as Section 21A Except
B	98AX 1436	CABLE ASSY, 178"L

KEY	PART NUMBER	DESCRIPTION
		SECTION 21P - LMTA 145 Same as Section 21A Except
B	98AX 1410	CABLE ASSY, 148"L

KEY	PART NUMBER	DESCRIPTION
		SECTION 21Q - LMTA 146 Same as Section 21A Except
B	98AX 1415	CABLE ASSY, 158"L

KEY	PART NUMBER	DESCRIPTION
		SECTION 21R - LMTA 147 Same as Section 21A Except
B	54MT 313P148	CABLE, Speed

KEY	PART NUMBER	DESCRIPTION
		SECTION 21S - LMTA 153 Same as Section 21A Except
B	98AX 1436	CABLE ASSY, 178"L

KEY	PART NUMBER	DESCRIPTION
		SECTION 21A - LMTA 45P1
A		SPEEDOMETER (See Grp 15AC)
B	98AX 3809	CABLE ASSY, 150"L
C	83AX 533	CLAMP, Speed Cable
		Att Parts:
C-1	133AX 134	SCREW, 1/4-14 x 1/2
D	87AX 2	GROMMET
E	83AX 533	CLAMP, Speed Cable
F	83AX 667	CLAMP, Speed Cable
G	83AX 668	CLAMP, Speed Cable
G-1 )		
Thru )	Not Used	
G-3 )		
		SECTION 21B - LMTA 45P2 Same as Section 21A Except
B	98AX 3809	CABLE ASSY, 158"L
		SECTION 21C - LMTA 45P3 Same as Section 21A Except
B	98AX 3808	CABLE ASSY, 166"L
		SECTION 21D - LMTA 133 Same as Section 21A Except
B	98AX 1421	CABLE ASSY, 230"L
		SECTION 21E - LMTA 48 Same as Section 21A Except
A	98AX 3808	CABLE ASSY, 166" L
E	Omit	
F	83AX 533	CLAMP, Speed Cable
		Att Parts:
F-1	130AX 258	SCREW, 1/4-20 NC x 3/4
F-2	20AX 19	NUT, 1/4-20 NC
F-3	36AX 1	WASHER, 1/4 ID





Quantity used is 1 unless otherwise specified in brackets ( ).

KEY	PART NUMBER	DESCRIPTION	KEY	PART NUMBER	DESCRIPTION
<u>SECTION 21T - 1MTA 48P2</u>					
Same as Section 21A Except					
A	98AX 3804	CABLE ASSY, Flex Speed 166"L			
E	Omit				
F	83AX 533	CLAMP, Speed Cable			
		Att Parts:			
F-1	130AX 258	SCREW, 1/4-20NC x 3/4			
F-2	20AX 19	NUT, 1/4-20 NC			
F-3	36AX 1	WASHER, 1/4 ID			



# Mack PARTS BOOK

## INDEX

### GROUP #9 - PROPELLER SHAFT

#### SPECIAL EQUIPMENT

30MU 43

GUARD ASSY, Propeller Shaft  
(Between Pump & Deltic Engine)

1

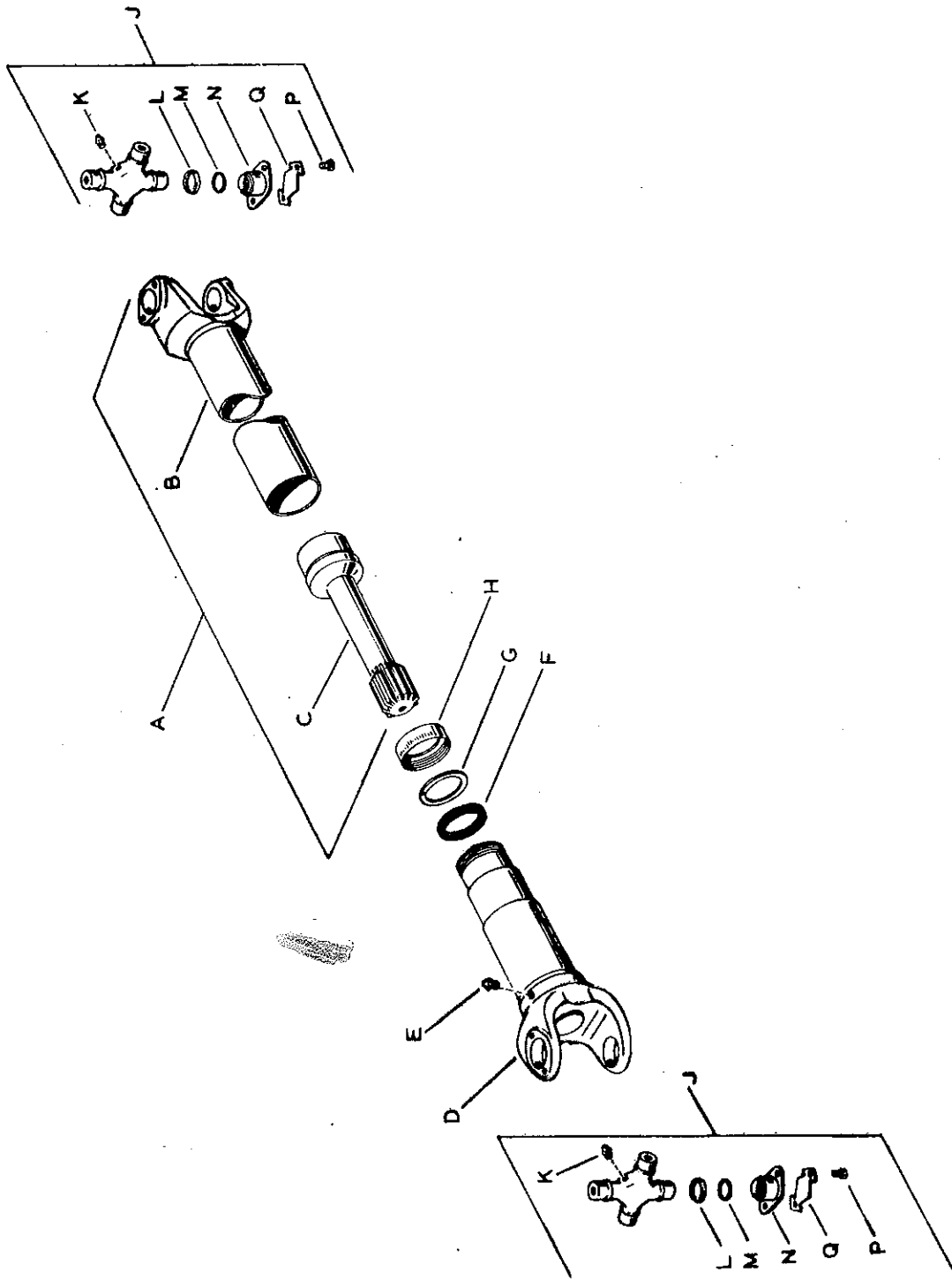


4248A 12/8/65 ejm-jd PAGE #9-1

CHASSIS NUMBER must always be given with PART NUMBER when ordering.







PROPELLER SHAFT

8-1321-7

Illustration #1-1321-272.

KEY	PART NUMBER	DESCRIPTION	NO. REQ.
		<u>SECTION 773A - 1MUA 32345</u>	
A	---	FLANGE, Transmission Drive (See Group 8)	1
B	---	DRUM, Brake (See Group 8)	1
C	38MU 360	YOKE, Transmission Drive Flange Attaching Parts:	1
D	3AX 686	SCREW	8
E	21AX 577	NUT	8
F	9MUA 343AP9	SHAFT ASSEMBLY, Rear Propeller (1700 Series) (For Units, See Group 9D, Section 8B)	1
G	31MU 175	BRACKET, Propeller Drive Shaft Attaching Parts:	2
H		SCREW, cap, 1/2-20 NF x 1-1/2 (1-1/4"thd.)(1AX 60)	4
J		NUT, hex. 1/2-20 NF (20AX 5)	4
K		WASHER, Lock, 1/2 I.D.(36AX 5)	4
L	30MU 227	GUARD, Propeller Drive Shaft Attaching Parts:	1
M		SCREW, cap, 1/2-20 NF x 1-1/2 (1-1/4"thd.)(1AX 60)	4
N		NUT, hex. 1/2-20 NF (20AX 5)	4
P		WASHER, Lock, 1/2 I.D.(36AX 5)	4
Q	38MU 360	YOKE, Rear Propeller Shaft Rear Drive Flange Attaching Parts:	1
R		COTTER PIN, stl. 1/8 x 2-1/2 (29AX 52)	1
S	552KB 229	FLANGE, Rear Propeller Shaft Rear Drive Attaching Parts:	1
T	3AX 704	SCREW	8
U		NUT, hex. 3/8-24 NF (20AX 3)	8
V		WASHER, Lock, 3/8 I.D.(36AX 3)	8
W	38MU 231	YOKE, Inter-Axle Propeller Shaft Front Drive Flange Attaching Parts:	1
X		COTTER PIN, stl. 1/8 x 2 (29AX 7)	1
Y	552KB 231	FLANGE, Inter-Axle Propeller Shaft Front Drive Attaching Parts:	1
Z	3AX 704	SCREW	8
AA		NUT, hex. 3/8-24 NF (20AX 3)	8
AB		WASHER, Lock, 3/8 I.D.(36AX 3)	8
AC	8MUA 3149P7	SHAFT ASSEMBLY, Inter-Axle Propeller (1600 Series) (For Units, See Group 9D, Section 4A)	1
AD	38MU 231	YOKE, Inter-Axle Propeller Shaft Rear Drive Flange Attaching Parts:	1
AE		COTTER PIN, stl. 1/8 x 2-1/2 (29AX 52)	1
AF	552KB 230	FLANGE, Inter-Axle Propeller Shaft Rear Drive Attaching Parts:	1
AG	3AX 704	SCREW	8
AH		NUT, hex. 3/8-24 NF (20AX 3)	8
AJ		WASHER, Lock, 3/8 I.D.(36AX 3)	8

# MACK TRUCK-TRACTOR PARTS BOOK

## GROUP #9D - PROPELLER SHAFT SECTION 4

NOTE: Key Letters Indicated on Illustration #8-1321-7.

KEY	PART NUMBER	DESCRIPTION	NO. REQ.
<u>SECTION 4A - 8MUA 3149</u>			
-	8MUA 3149P-	SHAFT, Propeller (For "P" Number, See Group 9)	1
A	17MUA 3142P-	Consists of: SHAFT SERVICE ASSEMBLY (Type 1) (For "P" Number, See Chart on Following Page)	1
B	371SJ 23	Consists of: UNWELDED ASSEMBLY (With Yoke End)	1
C	61MU 218	END, Splined	1
D	481SJ 19	YOKE, Sleeve	1
E	101SZ 26	FITTING, Slip Joint Grease	1
F	441SJ 38	WASHER, Felt	1
G	441SJ 37	WASHER, Steel	1
H	41SJ 21	CAP, Dust	1
J	201SJ 14	REPAIR KIT, Universal Joint	2
-	181SJ 19	Each Consists of: JOURNAL ASSEMBLY	1
K	101SZ 37	Includes: FITTING	1
L	341SJ 28	RETAINER, Journal Gasket	4
M	121SJ 14	SEAL, Journal Gasket	4
N	21SJ 20	BEARING ASSEMBLY, (Includes Cap)	4
P	25SJ 13	Attaching Parts: SCREW, Lock	8
Q	376SJ 12	PLATE, Lock	4
* Not Sold Separately			

Due to the large number of variations in propeller shaft lengths, and to eliminate the necessity for carrying stocks of all of these variables in the field, Mack has provided a so-called "unwelded assembly" for each make and series. These assemblies consist of a tube of sufficient length to be cut down to any required length with a ball yoke already welded on one end. In this way, it is only necessary to determine the cut length of the "unwelded assembly" and weld on the proper stub end, to make up the propeller shaft service assembly.

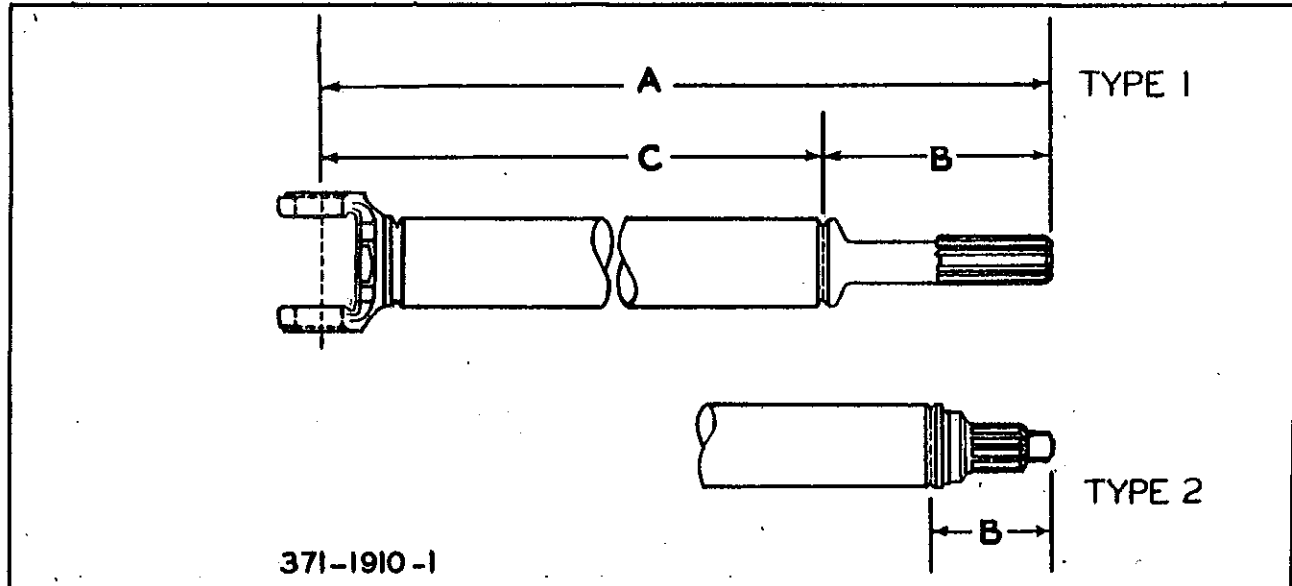
Dimensions of the propeller shaft service assemblies will be found in the propeller shaft chart on the following page.

Part Numbers for the unwelded assembly and splined or stub end may be obtained from the text above.

With the above information, it should only be necessary to refer to the drawing and tabulation which follow, in order to complete the assembly.

# MACK TRUCK-TRACTOR PARTS BOOK

GROUP #9D - PROPELLER SHAFT  
SECTION 4 - (Continued)



Dimension "A" minus "B" = "C" or cutting length  
For dimension "A" see Propeller Shaft Chart Below  
on all 8MUA 3149 PROPELLER SHAFT ASSEMBLIES DIMENSION "B" = 9-9/16"

PROPELLER SHAFT	SHAFT SERVICE ASSEMBLY (Type 1)	DIMENSION "A" (INCHES)
8MUA 3149P1	17MUA 3142P1	16-11/16
2	2	17-3/16
3	3	17-11/16
4	4	18-3/16
5	5	18-11/16
6	6	19-3/16
7	7	19-11/16
8	8	20-3/16
9	9	20-11/16
10	10	21-3/16
11	11	21-11/16
12	12	22-3/16
13	13	22-11/16
14	14	23-3/16
15	15	23-11/16
16	16	24-3/16
17	17	24-11/16
18	18	25-3/16
19	19	25-11/16
20	20	26-3/16
21	21	26-11/16
22	22	27-3/16
23	23	27-11/16
24	24	28-3/16
25	25	28-11/16
26	26	29-3/16

# MACK TRUCK-TRACTOR PARTS BOOK

GROUP #9D - PROPELLER SHAFT  
SECTION 4 - (Continued)

PROPELLER SHAFT	SHAFT SERVICE ASSEMBLY (Type 1)	DIMENSION "A" (INCHES)
8MUA 3149P27	17MUA 3142P27	29-11/16
28	28	30-3/16
29	29	30-11/16
30	30	31-3/16
31	31	31-11/16
32	32	32-3/16
33	33	32-11/16
34	34	33-3/16
35	35	33-11/16
36	36	34-3/16
37	37	34-11/16
38	38	35-3/16
39	39	35-11/16
40	40	36-3/16
41	41	36-11/16
42	42	37-3/16
43	43	37-11/16
44	44	38-3/16
45	45	38-11/16
46	46	39-3/16
47	47	39-11/16
48	48	40-3/16
49	49	40-11/16
50	50	41-3/16
51	51	41-11/16
52	52	42-3/16
53	53	42-11/16
54	54	43-3/16
55	55	43-11/16
56	56	44-3/16
57	57	44-11/16
58	58	45-3/16
59	59	45-11/16
60	60	46-3/16
61	61	46-11/16
62	62	47-3/16
63	63	47-11/16
64	64	48-3/16
65	65	48-11/16
66	66	49-3/16
67	67	49-11/16
68	68	50-3/16
69	69	50-11/16
70	70	51-3/16
71	71	51-11/16
72	72	52-3/16
73	73	52-11/16
74	74	53-3/16

# MACK TRUCK-TRACTOR PARTS BOOK

GROUP #9D - PROPELLER SHAFT  
SECTION 4 - (Continued)

PROPELLER SHAFT	SHAFT SERVICE ASSEMBLY (Type 1)	DIMENSION "A" (INCHES)
8MJA 3149P75	17MUA 3142P75	53-11/16
76	76	54-3/16
77	77	54-11/16
78	78	55-3/16
79	79	55-11/16
80	80	56-3/16
81	81	56-11/16
82	82	57-3/16
83	83	57-11/16
84	84	58-3/16
85	85	58-11/16
86	86	59-3/16
87	109	14-3/16
88	87	59-11/16
89	88	60-3/16
90	89	60-11/16
91	90	61-3/16
92	91	61-11/16
93	92	62-3/16
94	93	62-11/16
95	94	63-3/16
96	95	63-11/16
97	96	64-3/16
98		
99	98	65-3/16
100		
101	99	65-11/16
102	100	66-3/16
103		
104		
105	103	67-11/16
106	113	71-3/16
107	108	70-3/16
108	114	69-3/16

# MACK TRUCK-TRACTOR PARTS BOOK

GROUP #9D - PROPELLER SHAFT  
SECTION 8

NOTE: Key Letters Indicated on Illustration #8-1321-7.

KEY	PART NUMBER	DESCRIPTION	NO. REQ.
<u>SECTION 8A - 9MUA 343</u>			
-	9MUA 343P-	SHAFT, Propeller (For "P" Number, See Group 9)	1
A	18MUA 330P-	Consists of: SHAFT SERVICE ASSEMBLY (Type 1) (For "P" Number, See Chart on Following Page)	1
B	371SJ 15A	Consists of: UNWELDED ASSEMBLY (With Yoke End)	1
C	61MU 22P4	END, Splined	1
D	481SJ 51	YOKE, Sleeve	1
E	10LSZ 26	FITTING, Slip Joint Grease	1
F	441SJ 35	WASHER, Felt	1
G	441SJ 34	WASHER, Steel	1
H	41SJ 26	CAP, Dust	1
J	201SJ 23	REPAIR KIT, Universal Joint	2
-	181SJ 25 *	Each Consists of: JOURNAL ASSEMBLY	1
K	10LSZ 37	Includes: FITTING	1
L	341SJ 27	RETAINER, Journal Gasket	4
M	360SJ 12	SEAL, Journal Gasket	4
N	21SJ 33	BEARING ASSEMBLY, (Includes Cap)	4
P	25SJ 15A #	Attaching Parts: SCREW, Lock	8
P	25SJ 16 #	SCREW, Lock	8
Q	376SJ 13	PLATE, Lock	4
* Not Sold Separately # Optional			

Due to the large number of variations in propeller shaft lengths, and to eliminate the necessity for carrying stocks of all of these variables in the field, Mack has provided a so-called "unwelded assembly" for each make and series. These assemblies consist of a tube of sufficient length to be cut down to any required length with a ball yoke already welded on one end. In this way, it is only necessary to determine the cut length of the "unwelded assembly" and weld on the proper stub end, to make up the propeller shaft service assembly.

Dimensions of the propeller shaft service assemblies will be found in the propeller shaft chart on the following page.

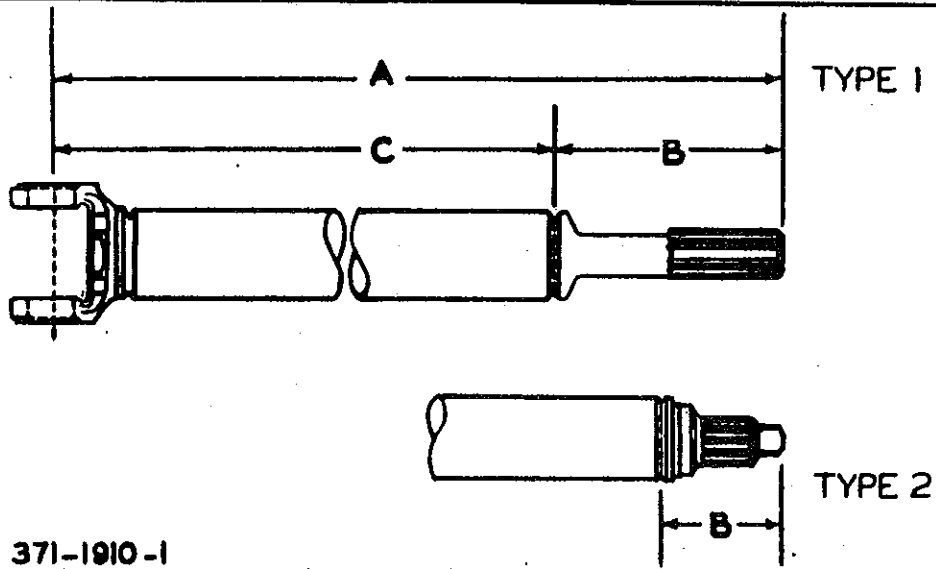
Part Numbers for the unwelded assembly and splined or stub end may be obtained from the text above.

With the above information, it should only be necessary to refer to the drawing and tabulation which follow, in order to complete the assembly.



# MACK TRUCK-TRACTOR PARTS BOOK

GROUP #9D - PROPELLER SHAFT  
SECTION 8 - (Continued)



Dimension "A" minus "B" = "C" or cutting length  
For dimension "A" see Propeller Shaft Chart Below  
on all 9MJA 343 PROPELLER SHAFT ASSEMBLIES DIMENSION "B" = 10-11/32"

PROPELLER SHAFT	SHAFT SERVICE ASSEMBLY (Type 1)	DIMENSION "A" (INCHES)
9MJA 343P1	18MJA 330P2	16-3/16
2	4	16-11/16
3	6	17-3/16
4	8	17-11/16
5	10	18-3/16
6	12	18-11/16
7	14	19-3/16
8	16	19-11/16
9	18	20-3/16
10	20	20-11/16
11	22	21-3/16
12	24	21-11/16
13	26	22-3/16
14	28	22-11/16
15	30	23-3/16
16	32	23-11/16
17	34	24-3/16
18	36	24-11/16
19	38	25-3/16
20	40	25-11/16
21	42	26-3/16
22	44	26-11/16
23	46	27-3/16
24	48	27-11/16
25	50	28-3/16
26	52	28-11/16

# MACK TRUCK-TRACTOR PARTS BOOK

GROUP #9D - PROPELLER SHAFT  
SECTION 8 - (Continued)

PROPELLER SHAFT	SHAFT SERVICE ASSEMBLY (Type 1)	DIMENSION "A" (INCHES)
9MJA 343P27	18MJA 330P54	29-3/16
28	56	29-11/16
29	58	30-3/16
30	60	30-11/16
31	62	31-3/16
32	64	31-11/16
33	66	32-3/16
34	68	32-11/16
35	70	33-3/16
36	72	33-11/16
37	74	34-3/16
38	76	34-11/16
39	78	35-3/16
40	80	35-11/16
41	82	36-3/16
42	84	36-11/16
43	86	37-3/16
44	88	37-11/16
45	90	38-3/16
46	92	38-11/16
47	94	39-3/16
48	96	39-11/16
49	98	40-3/16
50	100	40-11/16
51	102	41-3/16
52	104	41-11/16
53	106	42-3/16
54	108	42-11/16
55	110	43-3/16
56	112	43-11/16
57	114	44-3/16
58	116	44-11/16
59	118	45-3/16
60	120	45-11/16
61	122	46-3/16
62	124	46-11/16
63	126	47-3/16
64	128	47-11/16
65	130	48-3/16
66	132	48-11/16
67	134	49-3/16
68	136	49-11/16
69	138	50-3/16
70	140	50-11/16
71	142	51-3/16
72	144	51-11/16
73	146	52-3/16
74	148	52-11/16

# MACK TRUCK-TRACTOR PARTS BOOK

GROUP #9D - PROPELLER SHAFT  
SECTION 8 - (Continued)

PROPELLER SHAFT	SHAFT SERVICE ASSEMBLY (Type 1)	DIMENSION "A" (INCHES)
9MJA 343P75	18MJA 330P150	53-3/16
76	152	53-11/16
77	154	54-3/16
78	156	54-11/16
79	158	55-3/16
80	160	55-11/16
81	162	56-3/16
82	164	56-11/16
83	166	57-3/16
84	168	57-11/16
85	170	58-3/16
86	172	58-11/16
87	174	59-3/16
88	176	59-11/16
89	178	60-3/16
90	180	60-11/16
91	182	61-3/16
92	184	61-11/16
93	186	62-3/16
94	188	62-11/16
95	190	63-3/16
96	192	63-11/16
97	194	64-3/16
98	196	64-11/16
99	198	65-3/16
100	200	65-11/16
101	202	66-3/16
102		
103	206	67-3/16
104		
105	210	68-3/16
106	212	68-11/16
107		
108	232	15-7/16
109	216	69-11/16

# MACK TRUCK-TRACTOR PARTS BOOK

GROUP #9D - PROPELLER SHAFT  
SECTION 8 - (Continued)

KEY	PART NUMBER	DESCRIPTION	NO. REQ.
SECTION 8B - 9MUA 343A Same as 9MUA 343 (Section 8A) Except			
-	9MUA 343AP-	SHAFT, Propeller (For "P" Number, See Group 9)	1
A	18MUA 330AP-	Consists of: SHAFT SERVICE ASSEMBLY (Type 1) (For "P" Number, See Chart Below)	1
B	371SJ 15B	Consists of: UNWELDED ASSEMBLY, (With Yoke End)	1
C	61MJ 22P4	END, Splined	1
D	38MJ 261	YOKE, Sleeve	1
E	101SZ 26	FITTING, Slip Joint Grease	1
F	15QD 160	WASHER, Cork	1
G	15QD 159	WASHER, Steel	1
H	91RU 128	CAP, Dust	1
J	201SJ 23	REPAIR KIT, Universal Joint	2
-	181SJ 25 *	Each Consists of: JOURNAL ASSEMBLY	1
K	101SZ 37	Includes: FITTING	1
L	341SJ 27	RETAINER, Journal Gasket	4
M	360SJ 12	SEAL, Journal Gasket	4
N	21SJ 33	BEARING ASSEMBLY, (Includes Cap)	4
P	25SJ 15A #	Attaching Parts: SCREW, Lock (5/16-24 x 5/8)	8
P	25SJ 16 #	SCREW, Lock (3/8-24 x 21/32)	8
Q	376SJ 13	PLATE, Lock	4
* Not Sold Separately # Optional			
On all 9MUA 343A PROPELLER SHAFT ASSEMBLIES DIMENSION "B" = 10-11/32"			
PROPELLER SHAFT		SHAFT SERVICE ASSEMBLY (Type 1)	DIMENSION "A" (INCHES)
9MUA 343AP1		18MUA 330AP2	16-3/16
2		4	16-11/16
3		6	17-3/16
4		8	17-11/16
5		10	18-3/16
6		12	18-11/16
7		14	19-3/16
8		16	19-11/16
9		18	20-3/16
10		20	20-11/16

9/1/60 mln - gz

PAGE #9D-8-5

MACK CHASSIS NUMBER must always be given with PART NUMBER when ordering.

# MACK TRUCK-TRACTOR PARTS BOOK

GROUP #9D - PROPELLER SHAFT  
SECTION 8 - (Continued)

PROPELLER SHAFT	SHAFT SERVICE ASSEMBLY (Type 1)	DIMENSION "A" (INCHES)
9MIA 343AP11	18MIA 330AP22	21-3/16
12	24	21-11/16
13	26	22-3/16
14	28	22-11/16
15	30	23-3/16
16	32	23-11/16
17	34	24-3/16
18	36	24-11/16
19	38	25-3/16
20	40	25-11/16
21	42	26-3/16
22	44	26-11/16
23	46	27-3/16
24	48	27-11/16
25	50	28-3/16
26	52	28-11/16
27	54	29-3/16
28	56	29-11/16
29	58	30-3/16
30	60	30-11/16
31	62	31-3/16
32	64	31-11/16
33	66	32-3/16
34	68	32-11/16
35	70	33-3/16
36	72	33-11/16
37	74	34-3/16
38	76	34-11/16
39	78	35-3/16
40	80	35-11/16
41	82	36-3/16
42	84	36-11/16
43	86	37-3/16
44	88	37-11/16
45	90	38-3/16
46	92	38-11/16
47	94	39-3/16
48	96	39-11/16
49	98	40-3/16
50	100	40-11/16
51	102	41-3/16
52	104	41-11/16
53	106	42-3/16
54	108	42-11/16
55	110	43-3/16
56	112	43-11/16
57	114	44-3/16
58	116	44-11/16

# Mack PARTS BOOK

## INDEX

### GROUP #10 - CONTROL

The Following Variations Apply to this Group

KEY					
ILLUSTRATION NO.	PART NUMBER	DESCRIPTION	GROUP	SECTION	PAGE
1-173-121	1QC 5419P2	POWER STEERING ARRGT	10F	103AP	10F-103-18

Same as Standard Except for the Following:

A	12QC 115	WHEEL, Steering		1	
<u>SPECIAL EQUIPMENT</u>					
	11MY 1252	PLATE, Shifter Marker		1	
	4MR 1133	PLATE, Down Shift Instruction		1	
	Att Parts:				
133AX	259	SCREW, Tapping, Type "B", pan Phillips hd. #4-24 x 1/2		4	
31QE	26AP24	HOSE ASSY, Trailer Connector		1	
31QE	26AP25	HOSE ASSY, Trailer Connector		1	
21QB	324	THROTTLE CONTROL ASSY, Collapsible Linkage		1	
	Consists of:				
	9MX 3274	BRACKET, Lever Shaft		1	
	Att Parts:				
	1AX 417	SCREW, cap 5/8-18 NF x 1 (Full Thd)		1	
36AX	7	WASHER, Lock 5/8 ID		1	
37AX	271	WASHER, Plain		1	
13RU	2119	LEVER, Air Cylinder		1	
13RU	2118	LEVER, Cable		1	
	Att Parts:				
	7AX 198	SCREW, Set (#10-32 NF)		4	
77RU	167	SHAFT, Lever		1	
44AX	115	FITTING, Alemite #1610B Hyd Straight, 1/8 NPT Male, Shaft Lever		2	
97RU	119	CYLINDER, Air Deltic Engine Throttle (See Group 31)		1	
89AX	109	CLEVIS, Air Cylinder		1	
	Att Parts:				
	20AX 5	NUT, Hex 1/2-20 NF		1	
35MJ	17	TURNBUCKLE, Tractor Air Tank Strap		4	
	5RG 162	CONTROL, Air Shifter		1	
	(For Components, See Back of Group)				

### COMPONENTS

485GB 3158	13QC 3154AP1
13KF 49A	20QC 4175
1MR 1171	38QC 223
3MX 362P3	38QC 424P2



4248A 12/8/65 ejm-jd PAGE #10-1

CHASSIS NUMBER must always be given with PART NUMBER when ordering.

# Mack PARTS BOOK

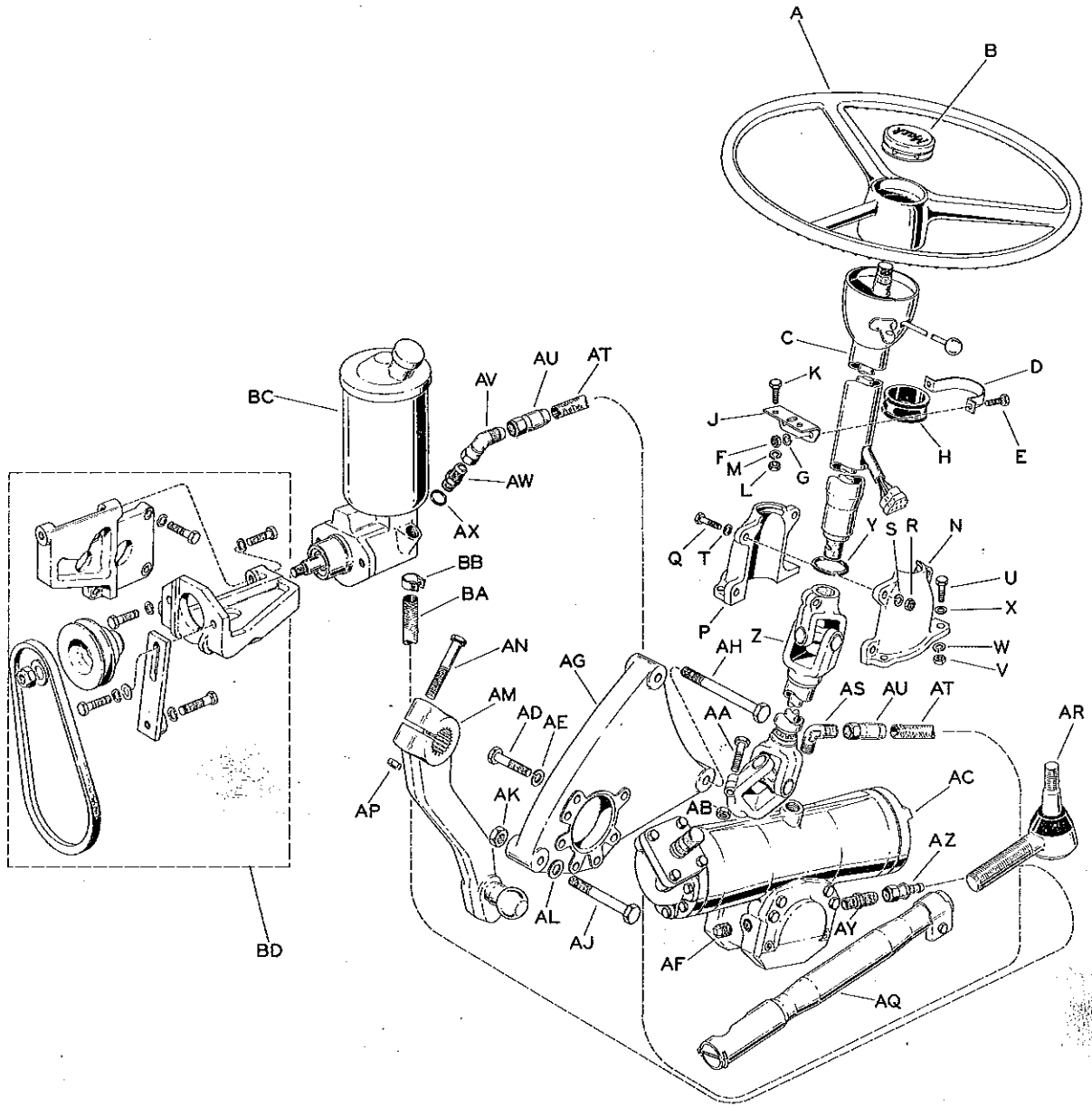
## INDEX (Cont)

### GROUP #10 - CONTROL (Cont)

#### COMPONENTS (Cont)

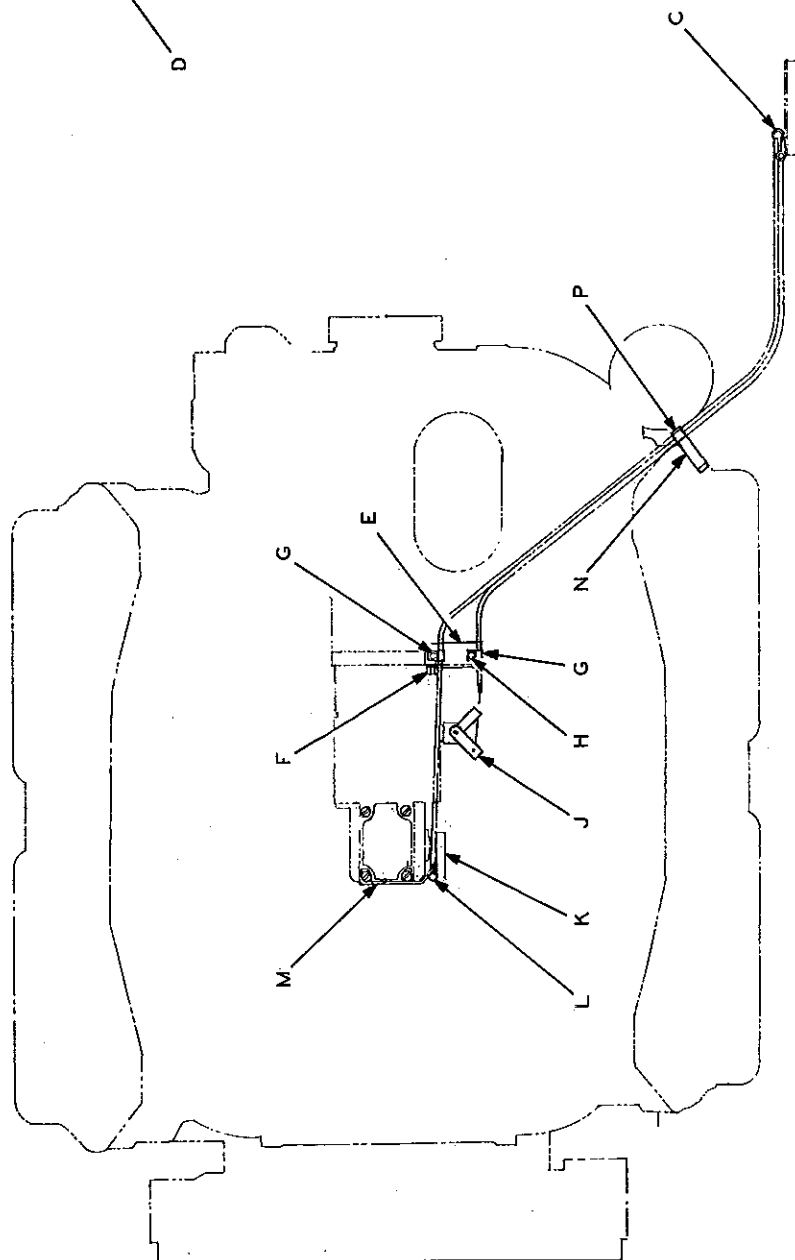
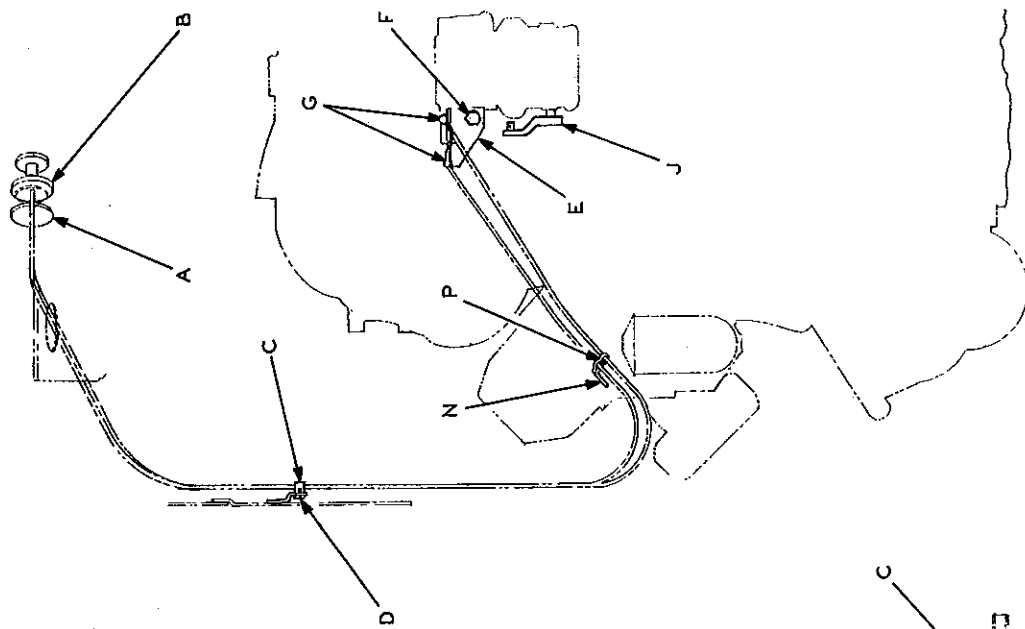
20QE 16P6	20QE 335
20QE 17P1	20QE 350
20QE 186A	20QE 351AP3
20QE 236A	20QE 1125
20QE 251A	20QE 1.129
20QE 262P1	4RG 187
20QE 275	5RG 162
20QE 278	95RS 218
	65RU 317P4





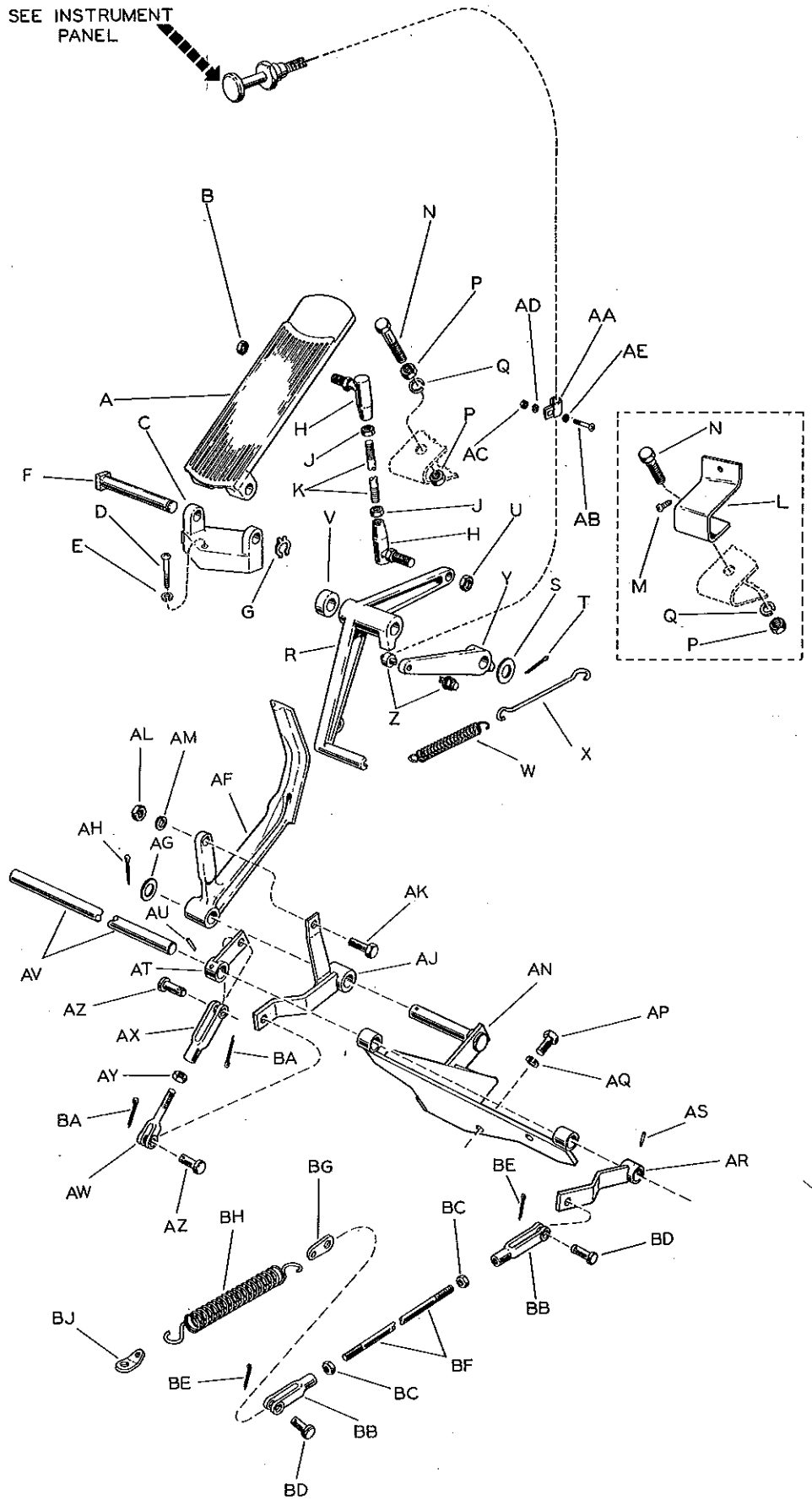
HYDRAULIC STEERING ARRANGEMENT



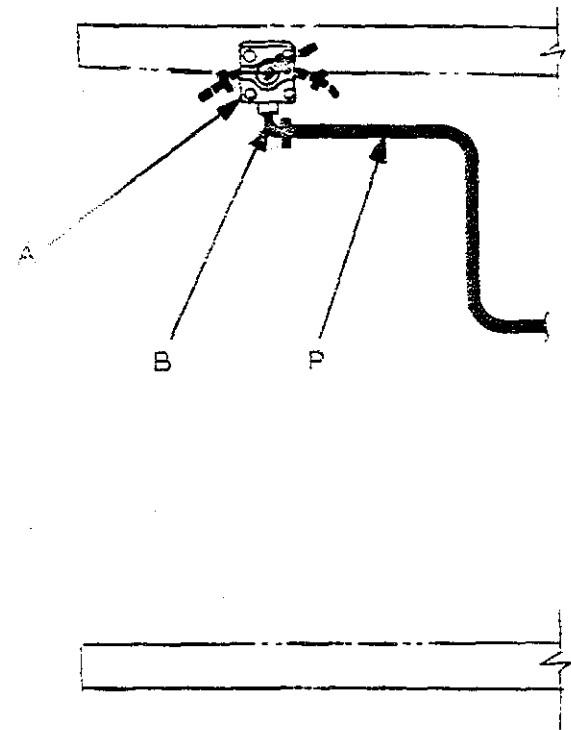
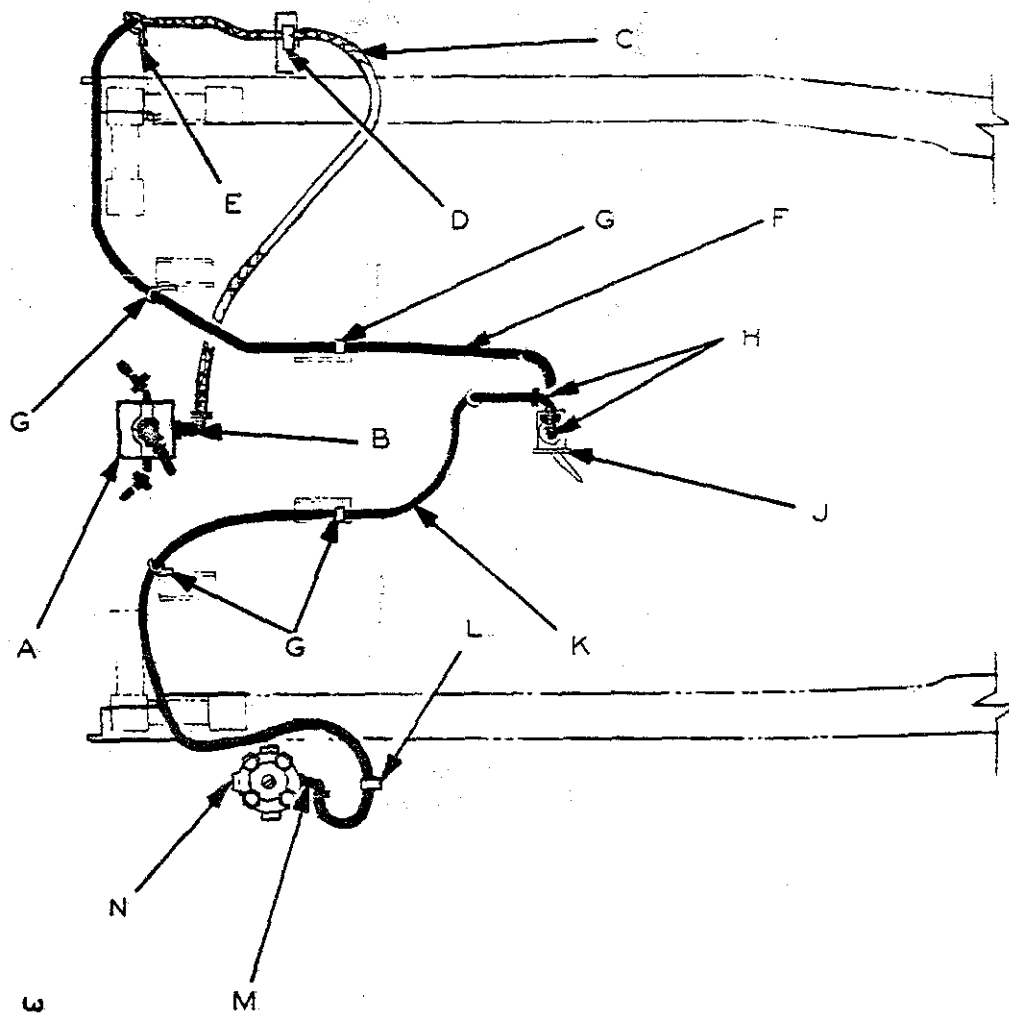


ENGINE STOP ARRANGEMENT

SEE INSTRUMENT  
PANEL

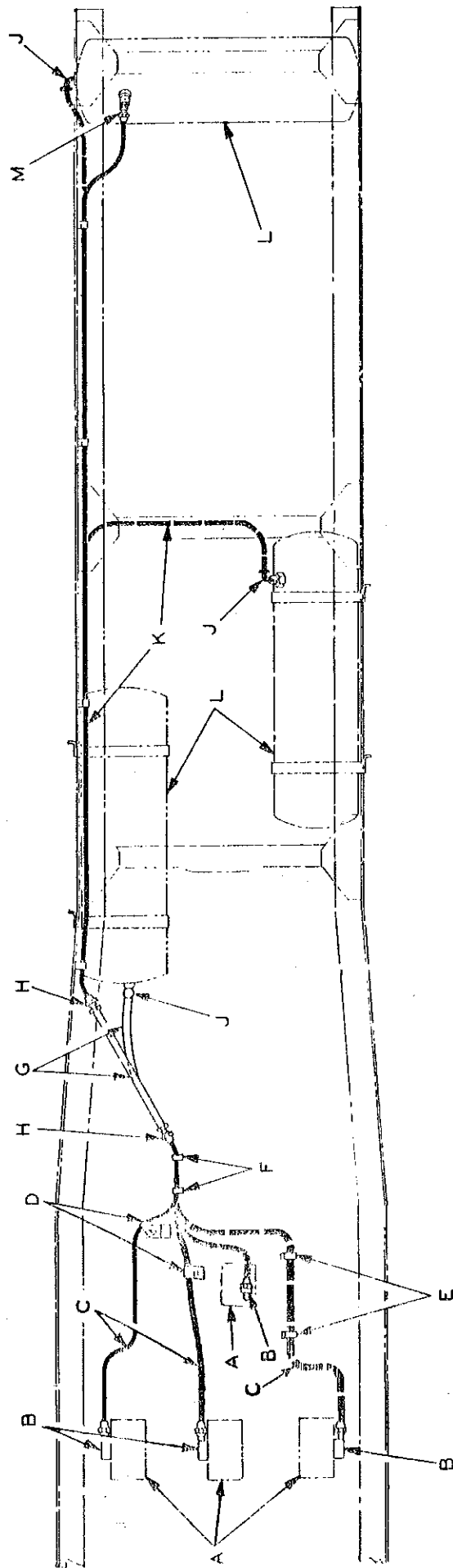


ACCELERATOR ARRANGEMENT



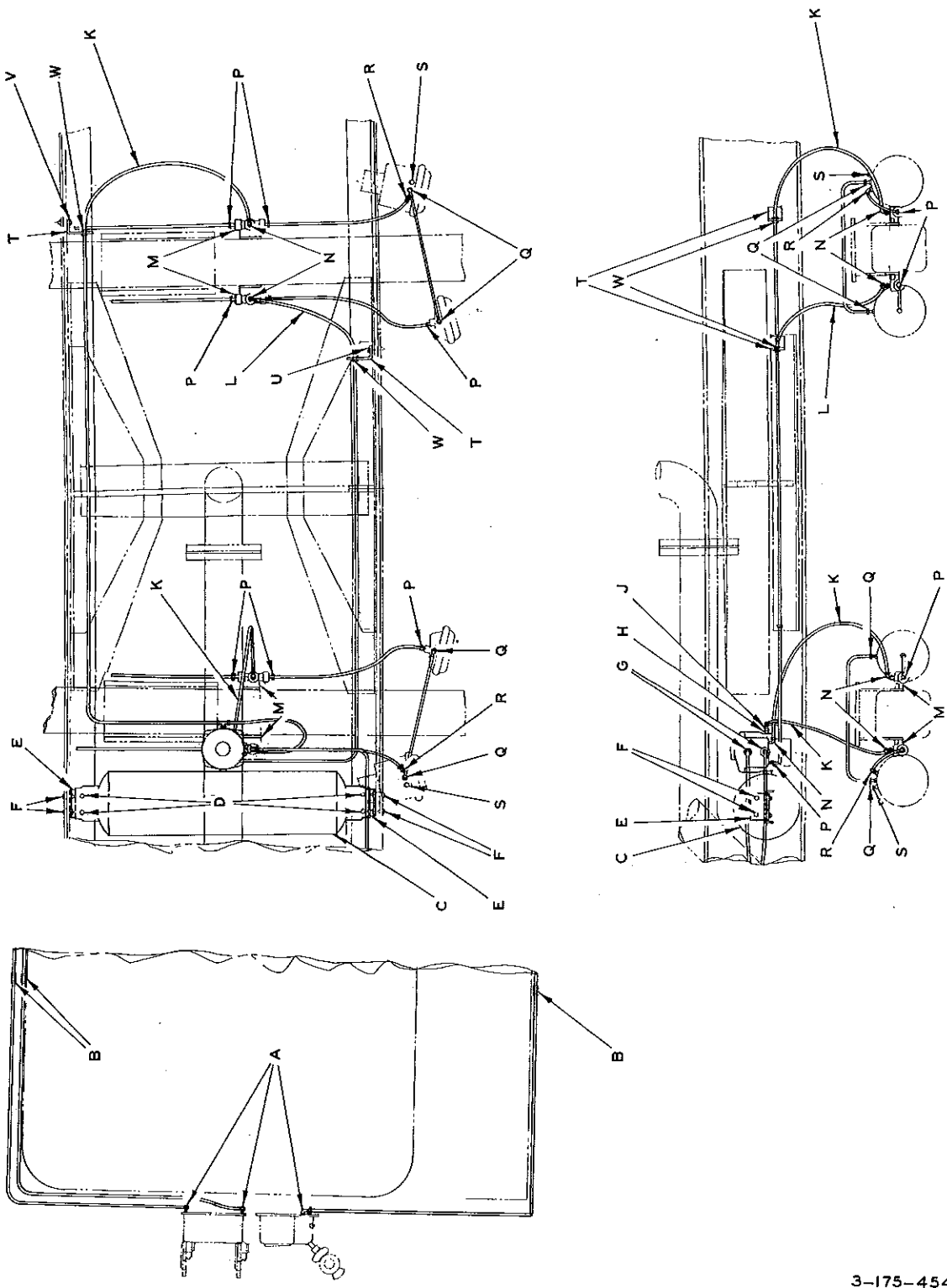
3-175-321

AIR BRAKE ARRANGEMENT  
LIMITING VALVE FRONT WHEEL

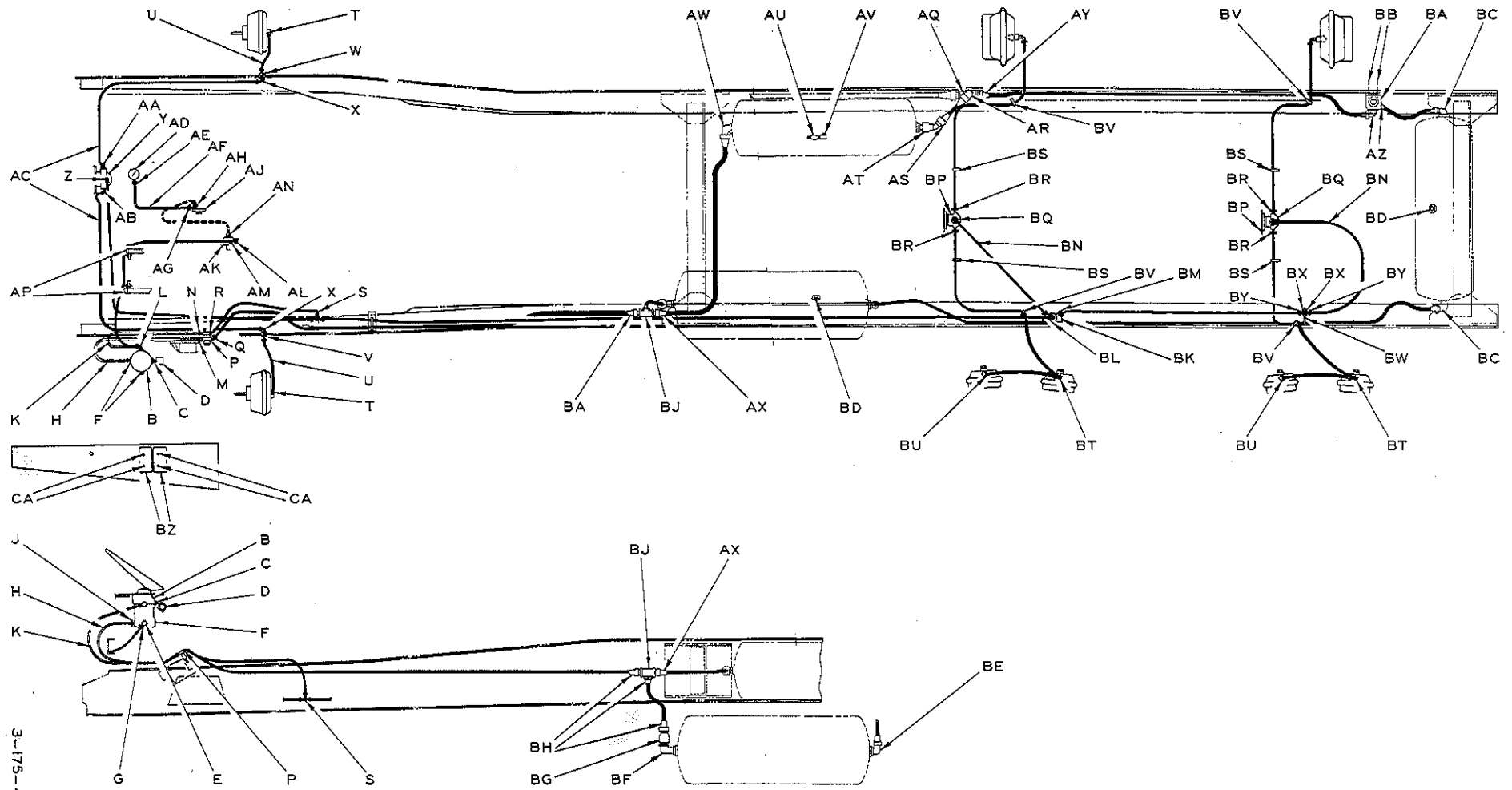


COMPRESSOR DISCHARGE LINE ARRANGEMENT

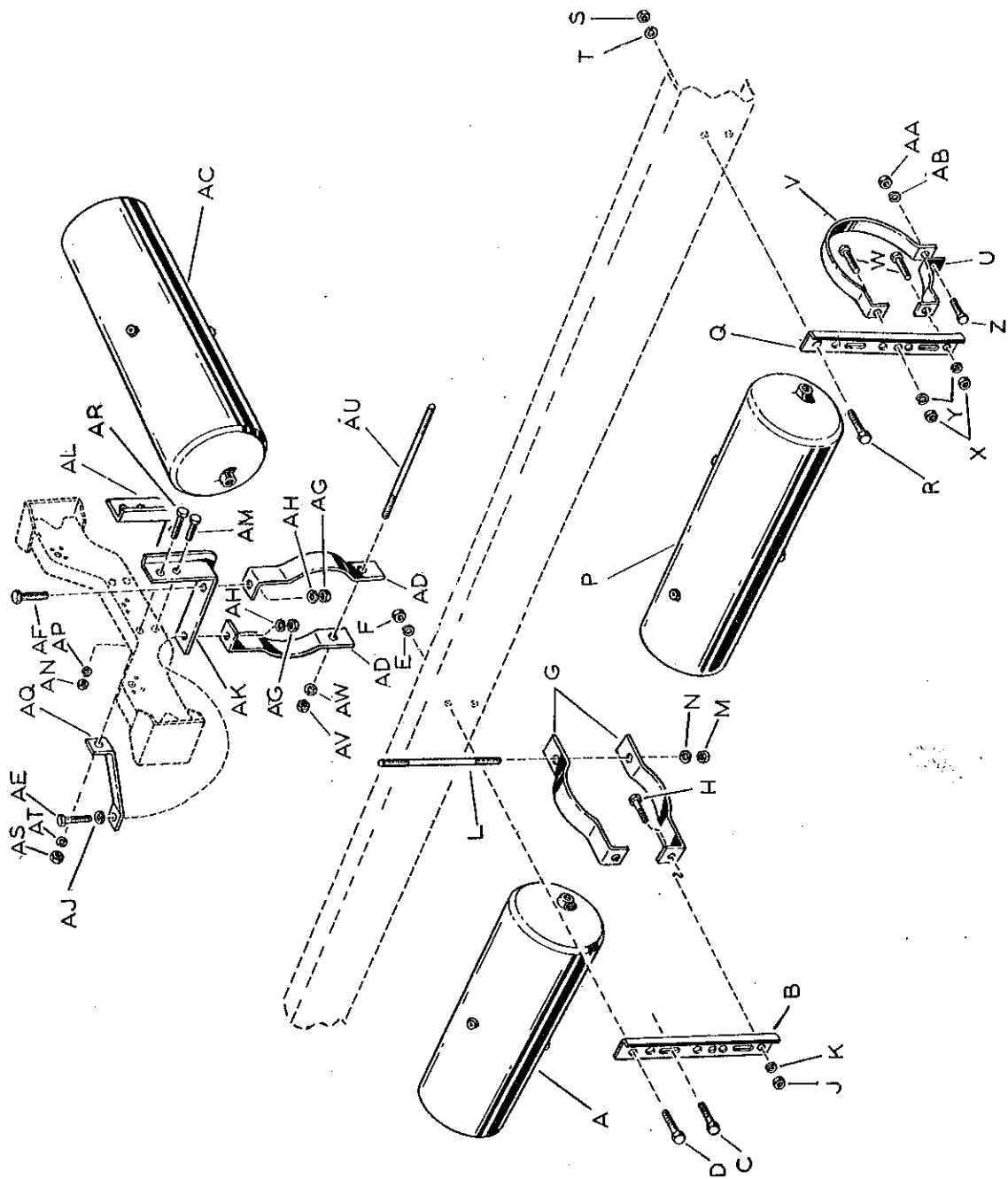




BASIC AIR BRAKE ARRANGEMENT



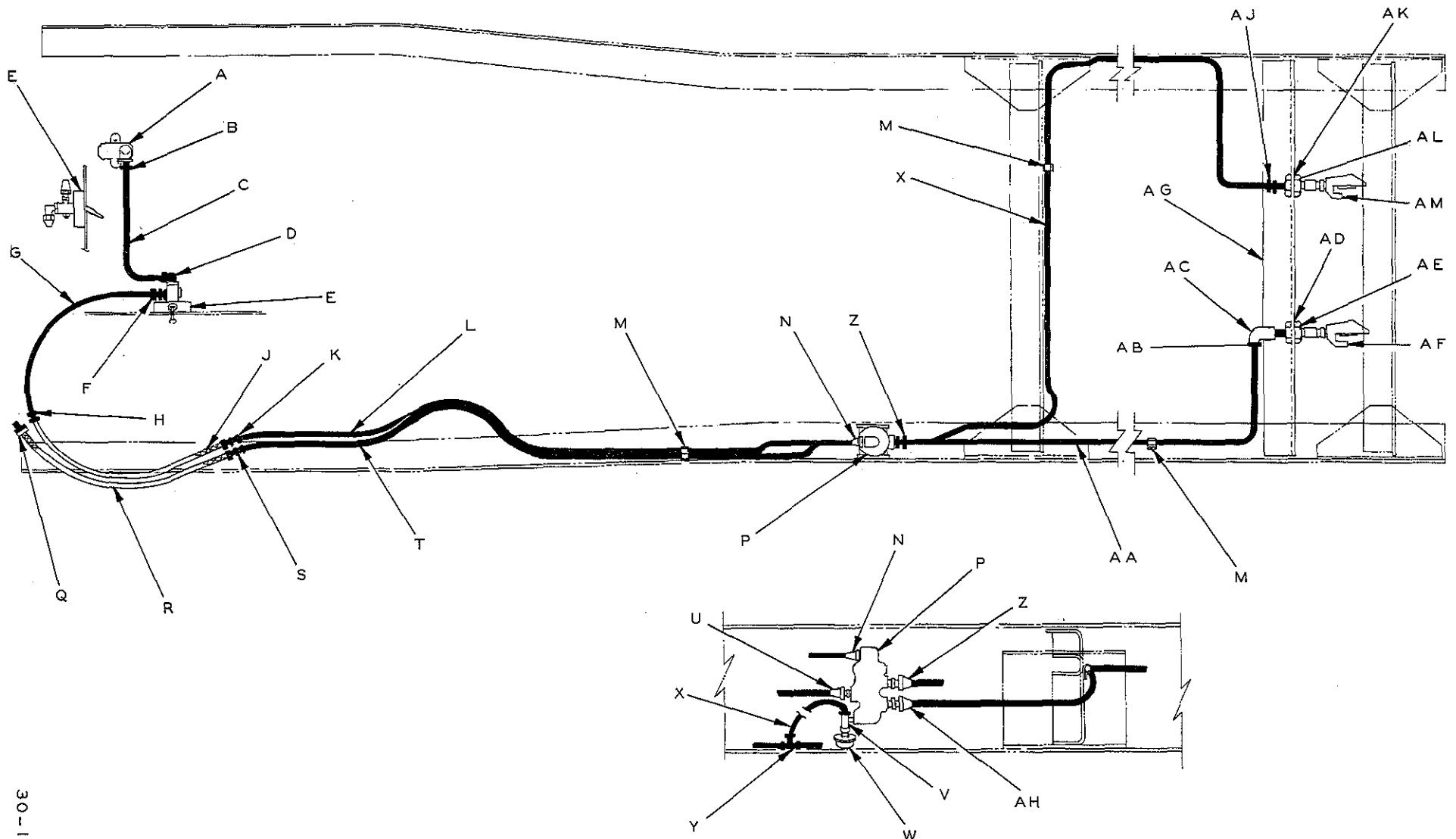
BASIC AIR BRAKE ARRANGEMENT



AIR RESERVOIR MOUNTING ARRANGEMENT

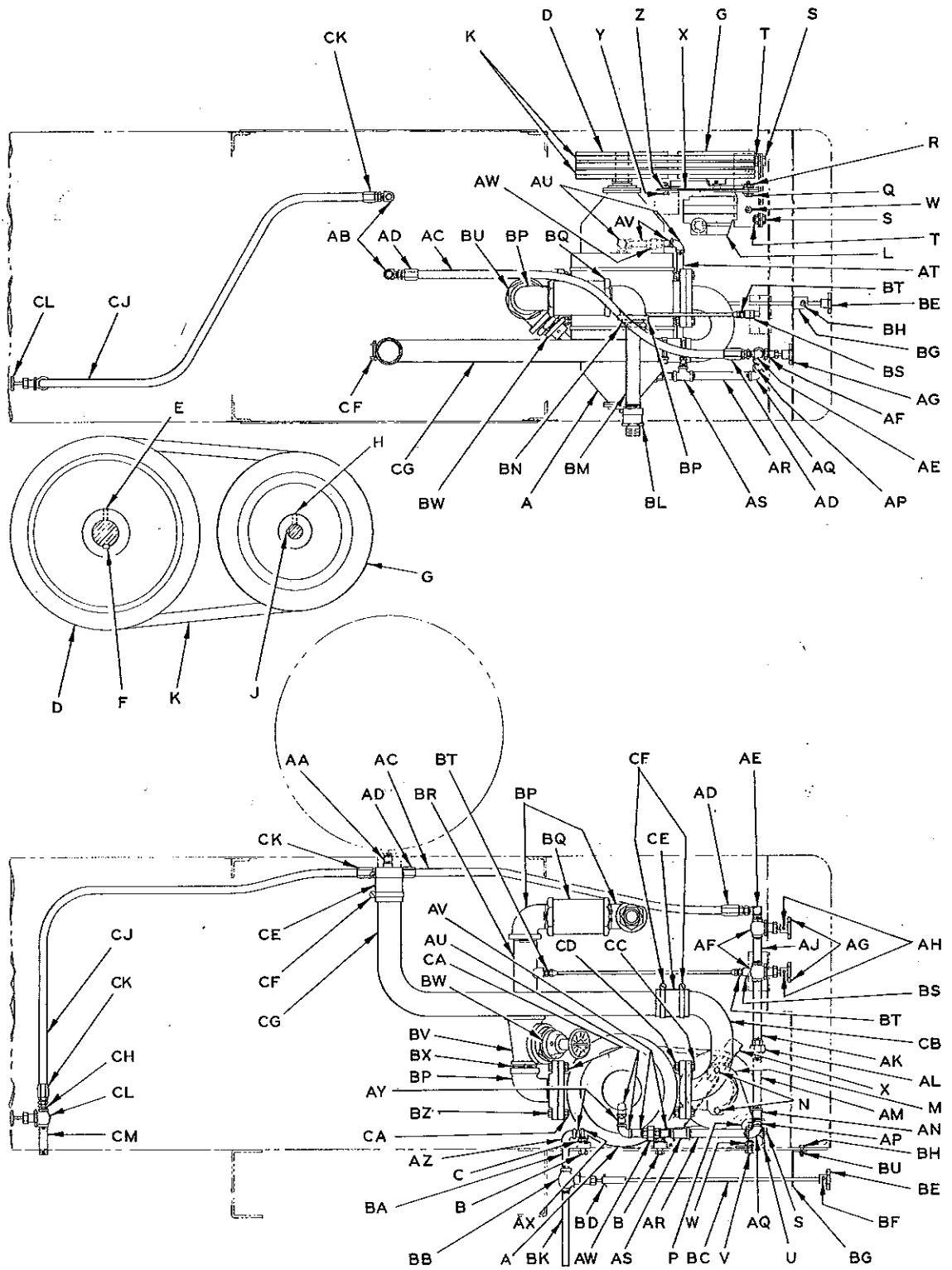




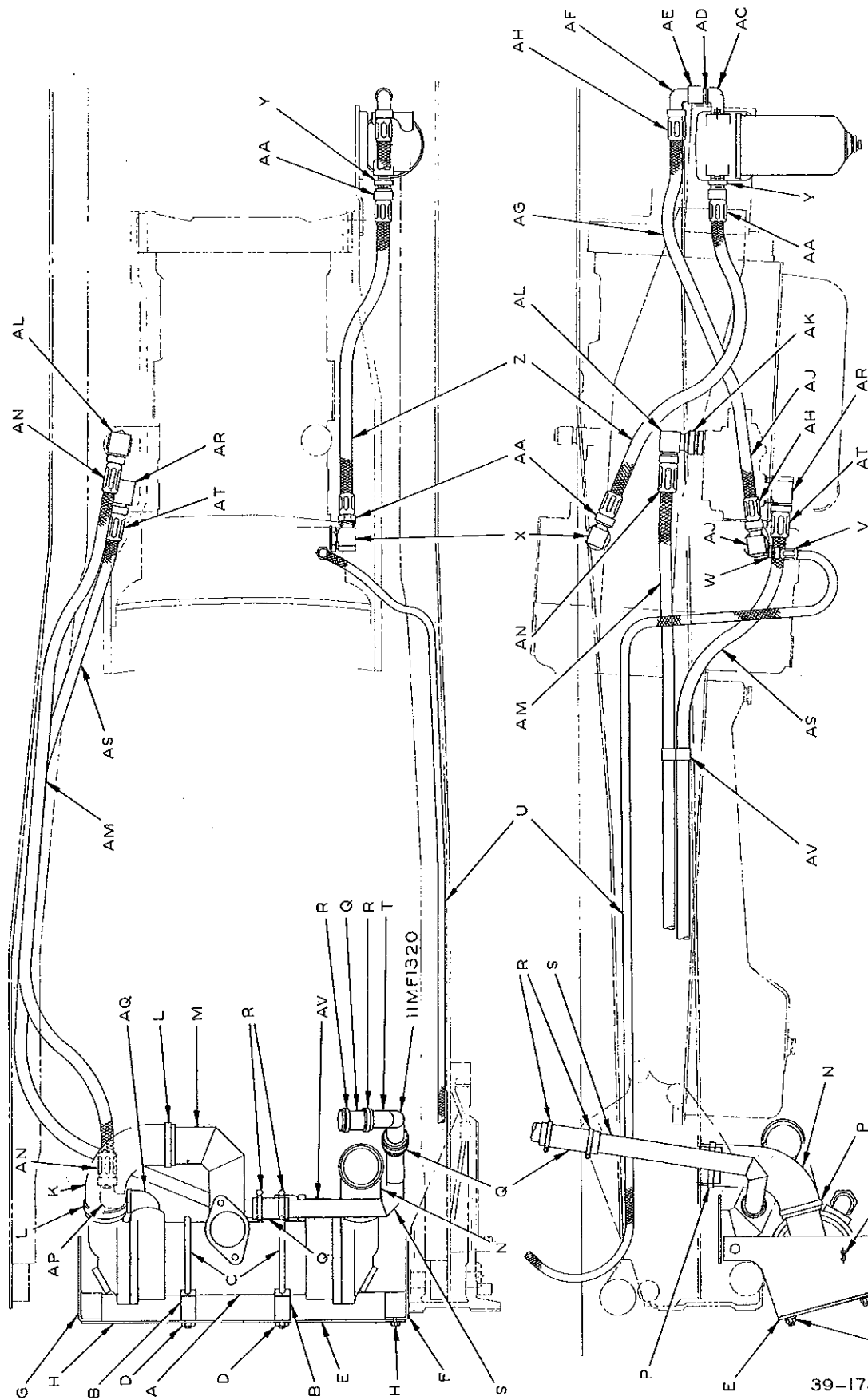


30-175-137

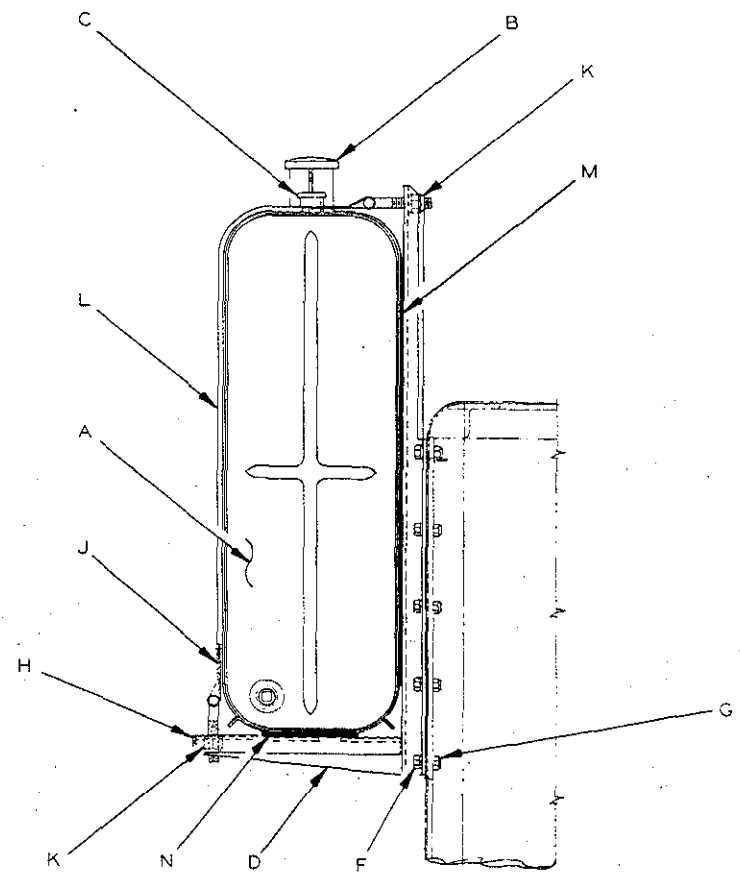
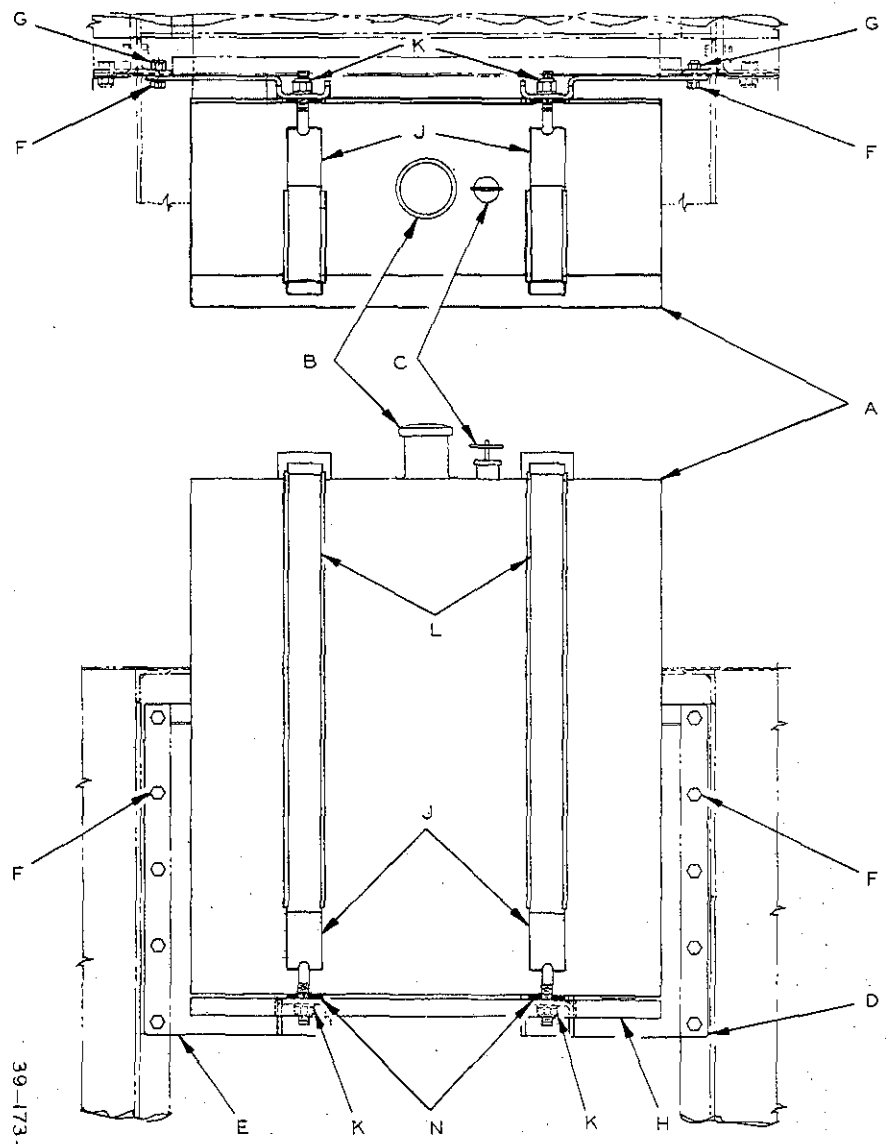
TRACTOR PROTECTION KIT ( FULL )



VACUUM PUMP AND PIPING MOUNTING ARRANGEMENT

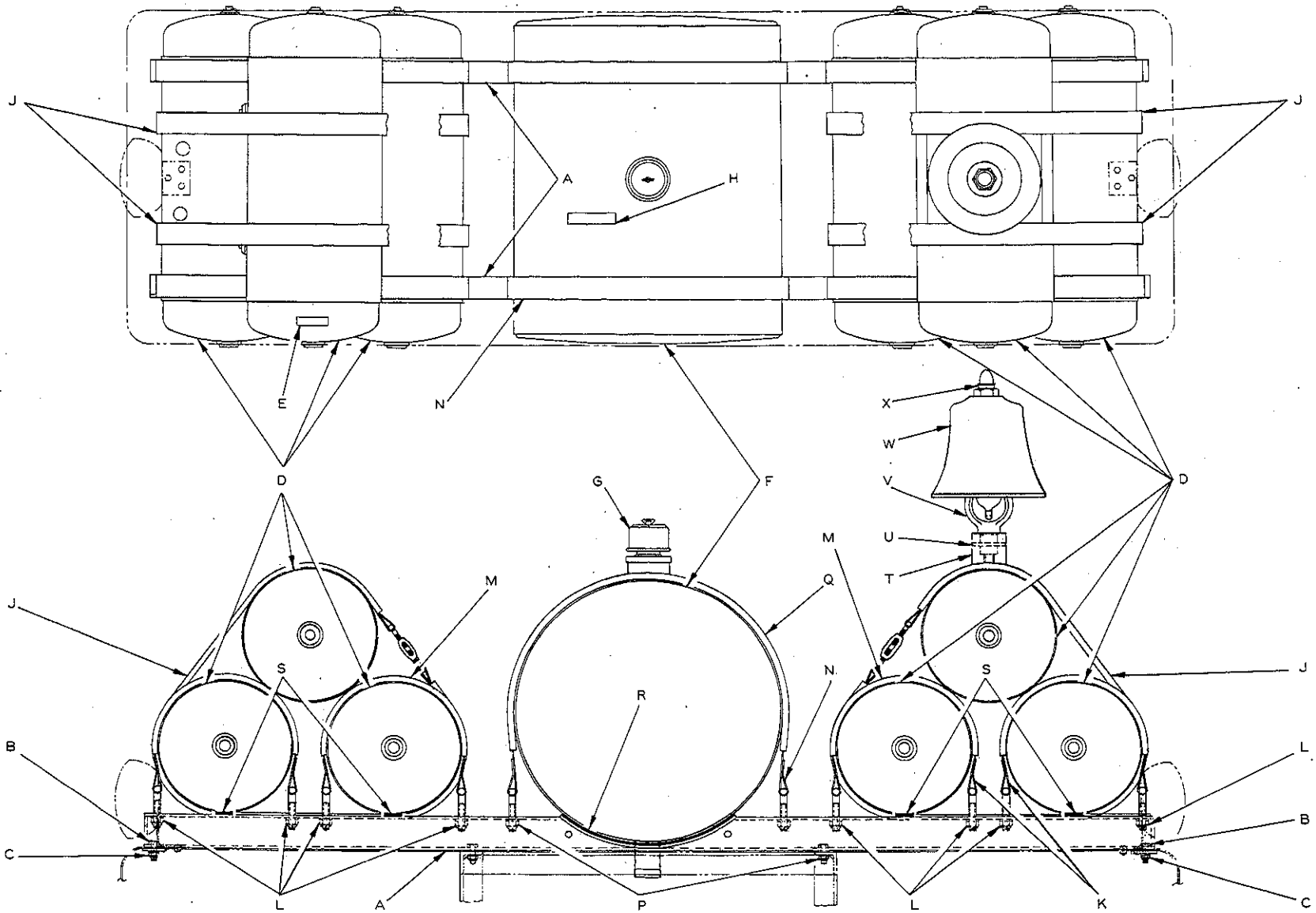


TRANSMISSION PIPING ARRANGEMENT



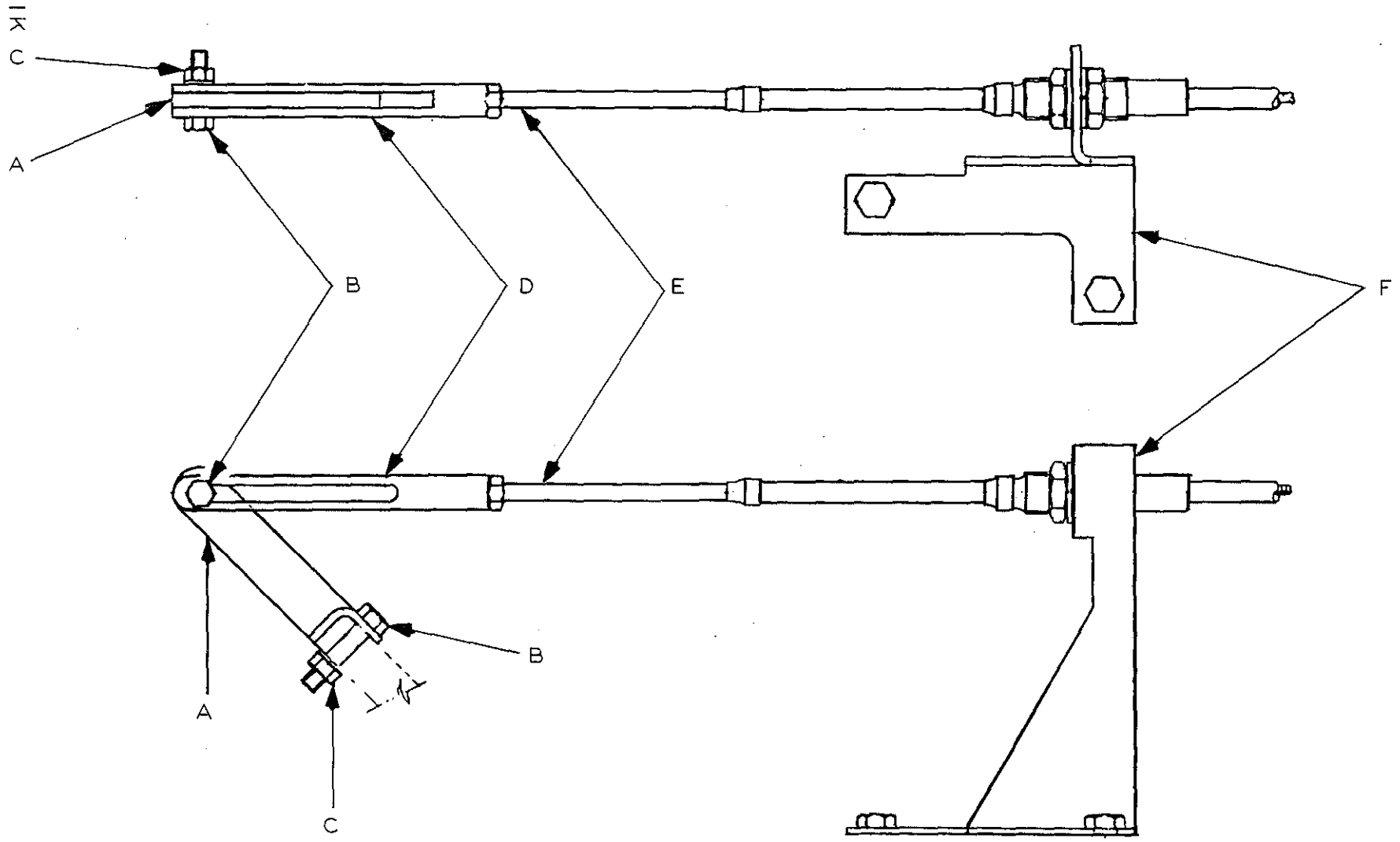
39-173-54

HYDRAULIC TANK MOUNTING ARRANGEMENT



39-173-55

WATER AND AIR TANK MOUNTING ARRANGEMENT



THROTTLE CONTROL MOUNTING ARRANGEMENT

75-175-1

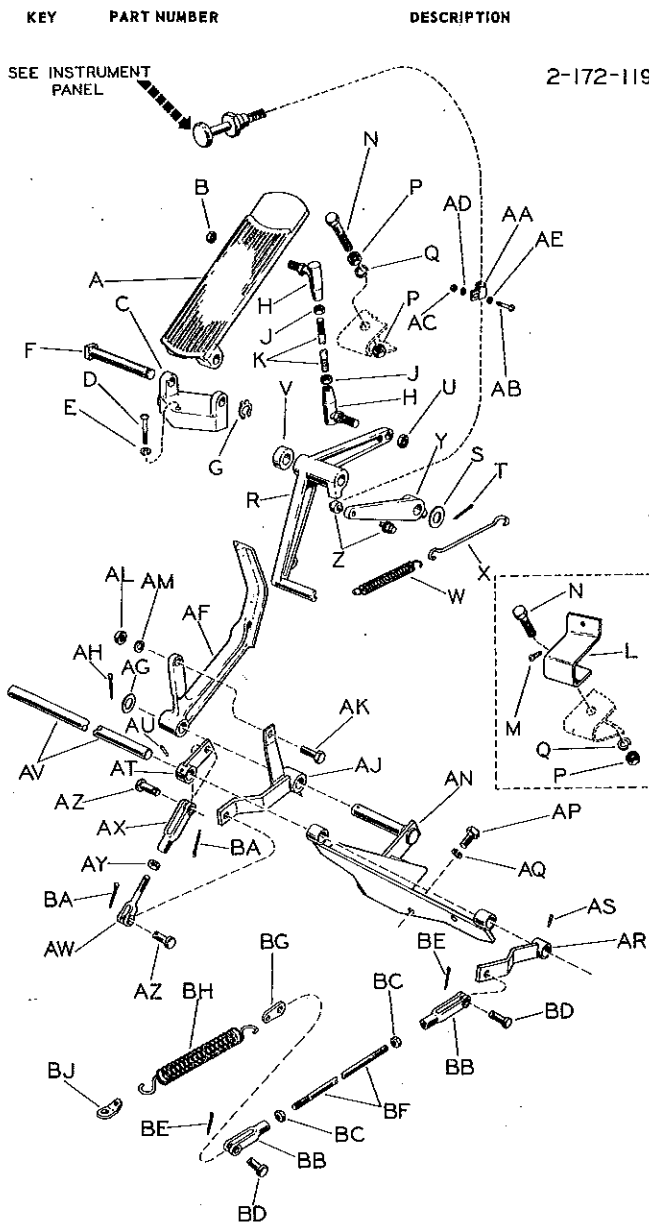
Illustration #2-172-115.

KEY	PART NUMBER	DESCRIPTION	NO. REQ.
<u>SECTION 99A - 2QBA 3139P1</u>			
A		STOP CONTROL, Engine (See Group 15F)	
B		STOP CONTROL, Engine Emergency (See Group 15F)	
C	83AX 573	CLAMP, Engine Stop & Engine Emergency Stop Control Cable Attaching Parts:	2
D		SCREW, cap, 1/4-28 NF x 5/8 (Full thd.)(1AX 8)	2
D-1		WASHER, Lock, 1/4 I.D.(36AX 1)	2
E	26QB 1258	BRACKET, Engine Stop & Engine Emergency Stop Control Cable Mounting Attaching Parts:	1
F	6AX 870	SCREW	1
G	83AX 573	CLAMP, Engine Stop & Engine Emergency Stop Control Cable Attaching Parts:	2
H		SCREW, cap, 1/4-28 NF x 1/2 (Full thd.)(1AX 73)	2
H-1		NUT, hex. 1/4-28 NF (20AX 1)	2
H-2		WASHER, Lock, 1/4 I.D.(36AX 1)	2
J	Not Used		
J-1	Not Used		
K		LEVER, Engine Stop Control (See Engine Group)	
L	83AX 573	CLAMP, Engine Stop Control Cable Attaching Parts:	1
L-1		SCREW, cap, 1/4-28 NF x 1/2 (Full thd.)(1AX 73)	1
L-2		NUT, hex. 1/4-28 NF (20AX 1)	1
L-3	37AX 435	WASHER, Flat	1
M		BRACKET, Engine Stop Control Cable (Lamp) (See Engine Group)	
N	72RU 11022	BRACKET, Engine Stop & Emergency Stop Control Cable (At Fuel Filter)	1
P	83AX 573	CLAMP, Engine Stop & Emergency Stop Control Cable Attaching Parts:	2
P-1		SCREW, cap, 1/4-28 NF x 3/4 (Full thd.)(1AX 374)	1
P-2		NUT, hex. 1/4-28 NF (20AX 1)	1
P-3		WASHER, Lock, 1/4 I.D.(36AX 1)	1
<u>SECTION 99B - 2QBA 3139P2</u> Same as 2QBA 3139P1(Section 99A)Except			
E	72RU 11240	BRACKET, Engine Stop & Emergency Stop Control Cable Mounting	1
J	700GC 19	VALVE, Emergency Fuel Shut-Off	1
J-1	63AX 891	ELBOW, Emergency Fuel Shut-Off Valve	1





Quantity used is 1 unless otherwise specified in brackets ( ).



SEE INSTRUMENT PANEL

2-172-119

KEY	PART NUMBER	DESCRIPTION
A	4QB 217AP2	PEDAL, Accel Att Part: NUT, 5/16-24 NF
B	20AX 2	NUT, 5/16-24 NF
C	9MX 1145	BRACKET, Pedal Att Parts:
D	130AX 262	SCREW, 1/4-20 NC x 1-1/2 (2)
E	36AX 1	WASHER, 1/4 ID (2)
F	65RU 1126	PIN, Ped Brkt Att Part: RING, Snap
G	97AX 180	RING, Snap
H	18QK 150P2	BALL JOINT, Ped Rod (2) Att Part: NUT, 5/16-24 NF (2)
J	20AX 2	NUT, 5/16-24 NF (2)
K	96AX 304	ROD, Pedal
L	Not Used	
M	Not Used	
N	LAX 177	SCREW, Ped Stop Att Parts: NUT, 3/8-24 NF (2)
P	20AX 3	NUT, 3/8-24 NF (2)

SECTION 105A - 2QBA 4170P1

KEY	PART NUMBER	DESCRIPTION
Q	36AX 3	WASHER, 3/8 ID
R	13QB 31	LEVER, Accel Cont Att Part: WASHER
S	37AX 383	WASHER
T	29AX 3	COTTER PIN, 3/32 x 1
U	20AX 2	NUT, 5/16-24 NF
V	35AX 1006	SPACER, Cont Lvr
W	58AX 185	SPRING, Cont Lvr Rtn
X	70AX 14	WIRE, Hook Cont Lvr Sprg
Y	13QB 220	LEVER, Thrt Cable
Z	63RU 130P2	SWIVEL ASSY, Wire
AA	83AX 573	CLAMP, Thrt Cable Att Parts: SCREW, 1/4-28 NF x 1/2 (2) NUT, 1/4-28 NF (2) WASHER, 1/4 ID (2) WASHER (2)
AB	130AX 829	SCREW, 1/4-28 NF x 1/2 (2)
AC	20AX 1	NUT, 1/4-28 NF (2)
AD	36AX 1	WASHER, 1/4 ID (2)
AE	37AX 471	WASHER (2)
AF	13QB 219P1	LEVER, Cont Att Parts: WASHER COTTER PIN, 3/32 x 7/8 LEVER COMP, Cont Att Parts: SCREW, 5/16-24 NF x 7/8 NUT, 5/16-24 NF WASHER, 5/16 ID BRACKET COMP, Control Att Part: SCREW, 7/16-14 NC x 1 (2) WASHER, 7/16 ID (2) LEVER COMP, Shaft (RH) Att Part: TAPER PIN, #1 x 7/8 LEVER COMP, Shaft (LH) Att Part: TAPER PIN, #1 x 7/8
AG	37AX 474	WASHER
AH	29AX 2	COTTER PIN, 3/32 x 7/8
AJ	13QB 233	LEVER COMP, Cont Att Parts: SCREW, 5/16-24 NF x 7/8 NUT, 5/16-24 NF WASHER, 5/16 ID BRACKET COMP, Control Att Part: SCREW, 7/16-14 NC x 1 (2) WASHER, 7/16 ID (2) LEVER COMP, Shaft (RH) Att Part: TAPER PIN, #1 x 7/8
AK	LAX 19	SCREW, 5/16-24 NF x 7/8
AL	20AX 2	NUT, 5/16-24 NF
AM	36AX 22	WASHER, 5/16 ID
AN	9MX 467	BRACKET COMP, Control Att Part: SCREW, 7/16-14 NC x 1 (2) WASHER, 7/16 ID (2) LEVER COMP, Shaft (RH) Att Part: TAPER PIN, #1 x 7/8
AP	4AX 27	SCREW, 7/16-14 NC x 1 (2)
AQ	36AX 4	WASHER, 7/16 ID (2)
AR	13QB 234P2	LEVER COMP, Shaft (RH) Att Part: TAPER PIN, #1 x 7/8
AS	30AX 9	TAPER PIN, #1 x 7/8
AT	13QB 232	LEVER COMP, Shaft (LH) Att Part: TAPER PIN, #1 x 7/8
AU	30AX 9	TAPER PIN, #1 x 7/8
AV	65RU 2149	SHAFT, Accel
AW	84AX 388	CLEVIS END, Accel
AX	84AX 26	CLEVIS, Accel Att Part: NUT, hex. 1/4-28 NF
AY	20AX 1	NUT, hex. 1/4-28 NF
AZ	33AX 137	PIN, Clevis .248/.243 x 55/64 Rod (2) Att Part: COTTER PIN, 1/16 x 1/2 (2) CLEVIS, Rod (2) Att Part: NUT, 5/16-24 NF (2) PIN, Clevis .248/.243 x 55/64 (2) Att Part: COTTER PIN, 1/16 x 1/2 (2)
BA	29AX 10	COTTER PIN, 1/16 x 1/2 (2)
BB	84AX 111	CLEVIS, Rod (2) Att Part: NUT, 5/16-24 NF (2)
BC	20AX 2	NUT, 5/16-24 NF (2)
BD	33AX 137	PIN, Clevis .248/.243 x 55/64 (2) Att Part: COTTER PIN, 1/16 x 1/2 (2)
BE	29AX 10	COTTER PIN, 1/16 x 1/2 (2)
BF	76RU 31P203	ROD, Accel
BG	35AX 739	WASHER, Rod Rtn Sprg
BH	58AX 233	SPRING, Rod Rtn
BJ	35AX 1070	WASHER, Rod Rtn Sprg

SECTION 105B - 2QBA 4170P2  
Same as Section 105A Except

KEY	PART NUMBER	DESCRIPTION
AF	13QB 219P2	LEVER, Control
SECTION 105C - 2QBA 4170P3 "F" Model W/END864 W/O Air Conditioning Same as Section 105A Except		
AN	9MX 493	BRACKET COMP, Cont
AP	LAX 8	SCREW, 1/4-28 NF x 5/8 (4)
AP-1	20AX 1	NUT, 1/4-28 NF (4)
AQ	36AX 1	WASHER, 1/4 ID (4)
AV-1	12QD 1244	BEARING, Accel Shaft (2)

11/4/65 ah-jd





Quantity used is 1 unless otherwise specified in brackets ( ).

KEY	PART NUMBER	DESCRIPTION	KEY	PART NUMBER	DESCRIPTION
<u>SECTION 105C - 2QBA 4170P3 (Cont)</u>					
AW	84AX 26	CLEVIS, Accel			
AY	20AX 1	NUT, 1/4-28 NF (2)			
AY-1	96AX 182	ROD, Clevis to Clevis			
BF	76RU 31P204	ROD, Accel			
<u>SECTION 105D - 2QBA 4170P4</u>					
"F" Model W/END864 W/Air Conditioning					
Same as Section 105A Except					
AF	13QB 219P2	LEVER, Cont			
AN	9MX 493	BRACKET COMP, Cont			
AP	1AX 8	SCREW, 1/4-28 NF x 5/8 (4)			
AP-1	20AX 1	NUT, 1/4-28 NF (4)			
AQ	36AX 1	WASHER, 1/4 ID (4)			
AV-1	12QD 1244	BEARING, Accel Shft (2)			
AW	84AX 26	CLEVIS, Accel			
AY	20AX 1	NUT, 1/4-28 NF (2)			
AY-1	96AX 182	ROD, Clevis To Clevis			
BF	76RU 31P204	ROD, Accel			
<u>SECTION 105E - 2QBA 174P1</u>					
"F" Model W/O Air Conditioning					
Same as Section 105A Except					
AN	9MX 3275	BRACKET COMP, Cont			
AP	1AX 8	SCREW, 1/4-28 NF x 5/8 (4)			
AP-1	20AX 1	NUT, 1/4-28 NF (4)			
AQ	36AX 1	WASHER, 1/4 ID (4)			
AV-1	12QD 1244	BEARING, Accel Shft (2)			
AW	84AX 26	CLEVIS, Accel			
AY	20AX 1	NUT, 1/4-28 NF (2)			
AY-1	96AX 182	ROD, Clevis To Clevis			
BF	76RU 31P204	ROD, Accel			
<u>SECTION 105F - 2QBA 174P2</u>					
"F" Model W/Air Conditioning					
Same as Section 105A Except					
AF	13QB 219P2	LEVER, Control			
AN	9MX 3275	BRACKET COMP, Cont			
AP	1AX 8	SCREW, 1/4-28 NF x 5/8 (4)			
AP-1	20AX 1	NUT, 1/4-28 NF (4)			
AQ	36AX 1	WASHER, 1/4 ID (4)			
AV-1	12QD 1244	BEARING, Accel Shft (2)			
AW	84AX 26	CLEVIS, Accel			
AY	20AX 1	NUT, 1/4-28 NF (2)			
AY-1	96AX 182	ROD, Clevis To Clevis			
BF	76RU 31P204	ROD, Accel			





TITLE THROTTLE CONTROL MOUNTING ARRANGEMENT

Illustration #75-175-1

KEY	PART NUMBER	DESCRIPTION	NO. REQ.
		<u>SECTION 136A - 75QEA 232</u>	
A	75QE 147	BRACKET, Throttle Control Clevis	1
		Attaching Parts:	
B		SCREW, Cap, 1/4-28 NF x 1-1/2 (3/4" thd.)(LAX 96)	2
C		NUT, Hex. 1/4-28 NF (20AX 1)	2
C-1		WASHER, Lock 1/4 I.D. (36AX 1)	2
D	84AX 462	CLEVIS, Throttle Control	1
E	21QB 211BP8	CONTROL, Throttle	1
F	75QE 231	BRACKET, Throttle Control Cable	1

# MACK TRUCK-TRACTOR PARTS BOOK

GROUP #10F - POWER STEERING ARRANGEMENT  
SECTION 103

NOTE: Key Letters Indicated on Illustration #1-173-121.

KEY	PART NUMBER	DESCRIPTION	NO. REQ.
		<u>SECTION 103A - IQCA 5380P1 (SGP40)</u>	
A	12QCA 51A	WHEEL, Steering	1
B	26MRA 162	HORN BUTTON ASSEMBLY(See Grp.5AA, Section 10)	1
C	13KFA 44	COLUMN ASSEMBLY, Upper Steering (For Components, see back of Group)	1
D	48RU 1582	CLAMP, Steering Column	1
E		Attaching Parts: SCREW, cap, hex.hd. 3/8-24 NF x 3/4 (Full thd.)(LAX 111)	2
F		NUT, hex. finished 3/8-24 NF (20AX 3)	2
G		WASHER, Lock, medium 3/8 I.D.(36AX 3)	2
H	87AX 62	GROMMET, Steering Column Clamp	1
J	4QC 2105	BRACKET, Steering Column Adjusting	1
K		Attaching Parts: SCREW, cap, hex.hd. 3/8-24 NF x 3/4 (Full thd.)(LAX 111)	2
L		NUT, hex. finished 3/8-24 NF (20AX 3)	2
M		WASHER, Lock, medium 3/8 I.D. (36AX 3)	2
N	4QC 387	BRACKET, Steering Post Anchor L.H.	1
P	4QC 386	BRACKET, Steering Post Anchor R.H.	1
Q		Attaching Parts: SCREW, cap, hex.hd. 1/4-28 NF x 1-1/4 (3/4"thd.)(LAX 147)	3
R		NUT, hex. finished 1/4-28 NF (20AX 1)	3
S		WASHER, Lock, medium 1/4 I.D.(36AX 1)	3
T	37AX 471	WASHER, Flat	3
U		SCREW, cap, hex.hd. 1/4-28 NF x 7/8 (3/4"thd.)(LAX 32)	4
V		NUT, hex. finished 1/4-28 NF (20AX 1)	4
W		WASHER, Lock, medium 1/4 I.D.(36AX 1)	4
X	37AX 471	WASHER, Flat	4
Y	56AX 402	"O" RING, Steering Post Anchor Bracket to Upper Steering Column	1
Z	65RU 317P4	SHAFT, Splined Steering (For Components, see back of Group)	1
AA		Attaching Parts: SCREW, cap, hex.hd. 3/8-24 NF x 2 (1"thd.)(LAX 34)	2
AB	21AX 313	NUT, Lock	2
AC	20QC 4175	GEAR, Power Steering (For Components, see back of Group)	1
AD		Attaching Parts: SCREW, cap, hex.hd. 1/2-13 NC x 2-1/4 (1-1/4"thd.)(4AX 220)	7
AE		WASHER, Lock, medium 1/2 I.D.(36AX 5)	7
AF		PLUG, Sq. hd. iron 1/2 NPT, Steering Gear (63AX 83)	1

# MACK TRUCK-TRACTOR PARTS BOOK

GROUP #10F - POWER STEERING ARRANGEMENT  
SECTION 103 (Continued)

KEY	PART NUMBER	DESCRIPTION	NO. REQ.
		<u>SECTION 103A - 1QCA 5380P1(Cont.)</u>	
AG	7QC 390	BRACKET, Steering Gear Mounting	1
		Attaching Parts:	
AH		SCREW, cap, hex.hd. 5/8-18 NF x 5-1/2 (1-1/2"thd.)(1AX 117)	1
AJ		SCREW, cap, hex.hd. 5/8-18 NF x 4-1/2 (1-1/2"thd.)(1AX 225)	2
AK	21AX 360	NUT, Lock	3
AL	35AX 1367	WASHER, Flat	3
AM	9QC 379P2	LEVER, Steering Gear	1
		Attaching Parts:	
AN		SCREW, cap, hex.hd. 5/8-18 NF x 3-3/4 (1-3/8"thd.)(1AX 141)	1
AP	21AX 360	NUT, Lock	1
AQ	13QCA 3154P1	LINK ASSEMBLY, Drag (For Components, see back of Group)	1
AR	18QKA 23	JOINT, Ball Assembly	1
AS	63AX 2050	ELBOW, Power Steering Gear to Power Steering Pump Hose	1
-	36RU 3178P30	HOSE ASSEMBLY, Power Steering Pump to Power Steering Gear	1
		Use Units as follows:	
AT		HOSE, medium high pressure 13/32 I.D. x 3/4 O.D. x 30"L. (90CAXA)	1
AU	63AX 2224	END, Hose	2
AV	63AX 3262	ELBOW, Power Steering Pump to Pump Hose	1
AW	63AX 3263	FITTING, Steering Pump Elbow	1
AX	56AX 379	"O" RING, Steering Pump Fitting	1
AY	63AX 1742	CONNECTOR, Power Steering Gear to Reservoir Hose Fitting	1
AZ	63AX 3026	FITTING, Reservoir Hose to Connector At Power Steering Gear	1
BA		HOSE, Low pressure 5/8 I.D. x 29/32 O.D. x 32"L. Power Steering Reservoir to Power Steering Gear (893AXA)	1
BB	83AX 653	CLAMP, Power Steering Hose At Reservoir	1
BC	38QCA 418P2	PUMP POWER STEERING (For Components, see back of Group)	1
BD	1QCA 184P1	POWER STEERING PUMP MOUNTING & DRIVE KIT (See Group 10F, Section 48)	1

PAGE

#10F-103-2

10/21/64

mes-fc

MACK CHASSIS NUMBER must always be given with PART NUMBER when ordering.

KEY	PART NUMBER	DESCRIPTION	NO. REQ.
<u>SECTION 103AK - 1QCA 5406P2 (Cont.)</u>			
AQ	13QC 3154P1	LINK ASSEMBLY, Drag (For Components, see back of Group)	1
AR	18QK 23	JOINT, Ball Assembly	1
-	36RUA 3178P45	HOSE ASSEMBLY, Power Steering Pump to Power Steering Gear Use Units as follows:	1
AT		HOSE, medium high pressure 13/32 I.D. x 3/4 O.D. x 43-1/2"L. (900AXA)	1
BA		HOSE, low pressure 5/8 I.D. x 29/32 O.D. x 40"L. Power Steering Reservoir to Power Steering Gear (893AXA)	1
BC	---	PUMP, Power Steering (See Group 1)	1
BD	---	POWER STEERING PUMP MOUNTING AND DRIVE KIT (See Group 1)	1
<u>SECTION 103AL - 1QCA 5417P1</u> Same as 1QCA 5380P1 (Section 103A) Except			
C	13KFA 49A	COLUMN ASSEMBLY, Upper Steering (For Components, see back of Group)	1
N	4QC 3101	BRACKET, Steering Post Anchor	1
P	Omit		
Thru			
T			
AD		SCREW, cap, 1/2-13 NC x 1-5/8 (1-1/4"thd.)(4AX 38)	7
AH		SCREW, cap, 5/8-18 NF x 3-1/8 (1-1/2"thd.)(1AX 170)	1
AJ		SCREW, cap, 5/8-18 NF x 5 (1-1/2"thd.)(1AX 132)	1
AJ		SCREW, cap, 5/8-11 NC x 3-1/2 (1-1/2"thd.)(4AX 300)	2
AK	21AX 360	NUT, Lock	2
AK	21AX 338	NUT, Lock	1
AL		WASHER, Lock, 5/8 I.D.(36AX 7)	2
AL	37AX 171	WASHER, Flat	6
AM	9QC 379P3	LEVER, Steering Gear	1
AQ	13QCA 3154AP5	LINK ASSEMBLY, Drag (For components, see back of Group)	1
AQ	95RU 32	COVER, Cylinder Link Assembly, Dust	1
AR	18QKA 22	JOINT, BALL ASSEMBLY	1
AT		HOSE, medium high pressure 13/32 I.D. x 25/32 O.D. x 28-3/8 (900AXA)	1
BA		HOSE, Low pressure 5/8 I.D. x 29/32 O.D. x 31"L. Power Steering Reservoir to Power Steering Gear (893AXA)	1
BB	83AX 121	CLAMP, Power Steering Hose At Reservoir	1
BC	38QCA 418P3	PUMP, Power Steering (For Components, see back of Group)	1
BD	1QCA 1153P2	POWER STEERING PUMP MOUNTING & DRIVE KIT (See Group 10F, Section 50)	1
<u>SECTION 103AM - 1QCA 5417P2</u> Same as 1QCA 5380P1 (Section 103A) Except			
C	13KFA 49A	COLUMN ASSEMBLY, Upper Steering (For Components, see back of Group)	1
N	4QC 3101	BRACKET, Steering Post Anchor	1
P	Omit		
Thru			
T			
AD		SCREW, cap, 1/2-13 NC x 1-5/8 (1-1/4"thd.)(4AX 38)	7
AH		SCREW, cap, 5/8-18 NF x 3-1/8 (1-1/2"thd.)(1AX 170)	1
AJ		SCREW, cap, 5/8-18 NF x 5 (1-1/2"thd.)(1AX 132)	1
AJ		SCREW, cap, 5/8-11 NC x 3-1/2 (1-1/2"thd.)(4AX 300)	2
AK	21AX 360	NUT, Lock	2
AK	21AX 338	NUT, Lock	1
AL		WASHER, Lock, 5/8 I.D.(36AX 7)	2
AL	37AX 171	WASHER, Flat	6
AM	9QC 379P4	LEVER, Steering Gear	1

KEY	PART NUMBER	DESCRIPTION	NO. REQ.
<u>SECTION 103AM - 1QCA 5417P2(Cont.)</u>			
AQ	13QCA 3154AP1	LINK ASSEMBLY, Drag (For Components, see back of Group)	1
AQ	95RU 32	COVER, Cylinder Link Assembly, Dust	1
AR	18QKA 23	JOINT, BALL ASSEMBLY	1
AT		HOSE, medium high pressure 13/32 I.D. x 25/32 O.D. x 28-3/8"L. (900AXA)	1
BA		HOSE, Low pressure 5/8 I.D. x 29/32 O.D. x 31"L. Power Steering Reservoir To Power Steering Gear (893AXA)	1
BB	83AX 121	CLAMP, Power Steering Hose At Reservoir	1
BC	38QCA 418P3	PUMP, Power Steering (For Components, see back of Group)	1
BD	1QCA 1153P2	POWER STEERING PUMP MOUNTING & DRIVE KIT (See Group 10F, Section 50)	1
<u>SECTION 103AN - 1QCA 5419P1</u>			
Same as 1QCA 5380P1(Section 103A)Except			
C	13KFA 49A	COLUMN ASSEMBLY, Upper Steering (For Components, see back of Group)	1
L	Omit		
N	4QC 3101	BRACKET, Steering Post Anchor	1
P	Omit		
Q	Omit		
Thru	Omit		
T			
U		SCREW, cap, 1/4-28 NF x 7/8(3/4"thd.)(Anchor Bracket to Cab Floor)(1AX 32)	2
V		NUT, hex. 1/4-28 NF (20AX 1)	2
W		WASHER, Lock, 1/4 I.D.(36AX 1)	2
X	37AX 471	WASHER, Flat	2
AA		SCREW, cap, 3/8-24 NF x 2 (1"thd.)(Splined Shaft to Steering Column & Steering Gear)(1AX 34)	2
AB	21AX 313	NUT, Lock	2
AD		SCREW, cap, 1/2-13 NC x 1-5/8 (1-1/4"thd.)(Steering Gear to Bracket)(4AX 38)	7
AH		SCREW, cap, 5/8-18 NF x 5-5/8 (1-3/8"thd.) 91AX 233	1
AJ		SCREW, cap, 5/8-18 NF x 5 (1-1/4"thd.)(1AX 132)	1
AJ-1		SCREW, cap, 5/8-18 NF x 3-1/2 (1-1/2"thd.)(1AX 170)	1
AJ-2		SCREW, cap, 5/8-18 NF x 4-1/4 (1-3/8"thd.)(1AX 131)	1
AJ-3	21AX 338	NUT, Stop	1
AK	21AX 360	NUT, Lock	3
AL	37AX 171	WASHER, Flat.	8
AM	9QC 379P3	LEVER, Steering Gear	1
AQ	13QC 3153AP5	LINK ASSEMBLY, Drag (For Components, see back of Group)	1
AR	18QK 22	JOINT, Ball Assembly	1
AR-1	95RU 32	SHIELD, Ball Joint Dust	1
-	36RUA 3178P45	HOSE ASSEMBLY, Power Steering Pump to Steering Gear Use Units as follows:	1
AT		HOSE, medium high pressure 13/32 I.D. x 3/4 O.D. x 43-3/8"L. (900AXA)	1
BA		HOSE, low pressure 5/8 I.D. x 29/32 O.D. x 4"L. Power Steering Reservoir to Steering Gear (893AXA)	1
BB	83AX 121	CLAMP, Power Steering Hose (At Reservoir)	1
BC		POWER STEERING PUMP (See Group 1)	
BD		MOUNTING & DRIVE KIT, Power Steering Pump (See Group 1)	
<u>SECTION 103AP - 1QCA 5419P2</u>			
Same as 1QCA 5380P1(Section 103A)Except			
C	13KFA 49A	COLUMN ASSEMBLY, Upper Steering (For Components, see back of Group)	1
L	Omit		

KEY	PART NUMBER	DESCRIPTION	NO. REQ.
<u>SECTION 103AP - 1QCA 5419P2(Cont.)</u>			
N	4QC 3101	BRACKET, Steering Post Anchor	1
P	Omit		
Q			
Thru	}	Omit	
T			
U			
V			
W		SCREW, cap, 1/4-28 NF x 7/8(3/4"thd.)(Anchor Bracket to Cab Floor)(1AX 32)	2
X		NUT, hex. 1/4-28 NF (20AX 1)	2
AA	37AX 471	WASHER, Lock, 1/4 I.D.(36AX 1)	2
		WASHER, Flat	2
		SCREW, cap, 3/8-24 NF x 2 (1"thd.)(Splined Shaft to Steering Column & Steering Gear)(1AX 34)	2
AB	21AX 313	NUT, Lock	2
AD		SCREW, cap, 1/2-13 NC x 1-5/8(1-1/4"thd.)(Steering Gear to Bracket)(4AX 38)	7
AH		SCREW, cap, 5/8-18 NF x 5-5/8(1-3/8"thd.)(1AX 233)	1
AJ		SCREW, cap, 5/8-18 NF x 5 (1-1/4"thd.)(1AX 132)	1
AJ-1		SCREW, cap, 5/8-18 NF x 3-1/2 (1-1/2"thd.)(1AX 170)	1
AJ-2		SCREW, cap, 5/8-18 NF x 4-1/4 (1-3/8"thd.)(1AX 131)	1
AJ-3	21AX 338	NUT, Stop	1
AK	21AX 360	NUT, Lock	3
AL	37AX 171	WASHER, Flat	8
AM	9QC 379P4	LEVER, Steering Gear	1
AQ	13QC 3154AP1	LINK ASSEMBLY, Drag (For Components, see back of Group)	1
AR	18QK 23	JOINT, Ball Assembly	1
AR-1	95RU 32	SHIELD, Ball Joint Dust	1
-	36RUA 3178P45	HOSE ASSEMBLY, Power Steering Pump to Steering Gear Use Units as follows:	1
AT		HOSE, medium high pressure 13/32 I.D. x 3/4 O.D. x 43-3/8"L. (900AXA)	1
BA		HOSE, low pressure 5/8 I.D. x 29/32 O.D. x 4"L. Power Steering Reservoir to Steering Gear (893AXA)	1
BB	83AX 121	CLAMP, Power Steering Hose (At Reservoir)	1
BC		POWER STEERING PUMP (See Group 1)	
BD		MOUNTING & DRIVE KIT, Power Steering Pump (See Group 1)	
<u>SECTION 103AQ - 1QCA 5444P1</u>			
("F" Model with SGP39 Steering Gear) Same as 1QCA 5380P1(Section 103A)Except			
A	12QC 51AP1	WHEEL, Steering	1
C	13KFA 49	COLUMN ASSEMBLY, Upper Steering (For Components, see back of Group)	1
AC	20QC 511	GEAR, Power Steering (For Components, see back of Group)	1
AD	6AX 906	SCREW, cap	7
AE	Omit		
AG	9QC 3104	BRACKET, Steering Gear Mounting	1
AH-1		SCREW, cap, 5/8-18 NF x 3-1/2 (1-1/2"thd.)(1AX 170)	1
AJ		SCREW, cap, 5/8-18 NF x 4-1/4 (1-3/8"thd.)(1AX 131)	1
AJ-1		SCREW, cap, 5/8-16 NF x 2-3/4 (1-1/2"thd.)(1AX 405)	1
AK-1	21AX 338	NUT, Stop	1
AL	37AX 171	WASHER, Flat	8
AM	9QC 3102	LEVER, Steering Gear	1
AN	Omit		
AP	Omit		
AP-1	95RU 32	SHIELD, Steering Gear Lever Ball Dust	1
AQ	13QCA 3154AP1	LINK ASSEMBLY, Drag (For Components, see back of Group)	1

4/9/65

rs-mes



KEY	PART NUMBER	DESCRIPTION	NO. REQ.
<u>SECTION 103AQ - 1QCA 5444P1(Cont.)</u>			
-	36RUA 3178P45	HOSE ASSEMBLY, Power Steering Pump to Power Steering Gear Use Units as follows:	1
AT		HOSE, medium high pressure 13/32 I.D. x 3/4 O.D. x 43-3/8"L. (900AXA)	1
BA		HOSE, Low Pressure 5/8 I.D. x 29/32 O.D. x 40"L. Power Steering Reservoir to Power Steering Gear (893AXA)	1
BB	83AX 121	CLAMP, Power Steering Hose At Reservoir	1
BC		PUMP, Power Steering (See Group 1)	1
BD		MOUNTING & DRIVE KIT, Power Steering Pump (See Group 1)	
<u>SECTION 103AR - 1QCA 5490P1</u> Same as 1QCA 5380P1(Section 103A)Except			
C	13KFA 49A	COLUMN ASSEMBLY, Upper Steering (For Components, see back of Group)	1
N	4QC 3101	BRACKET, Steering Post Anchor	1
P	Omit		
Thru			
T			
U		SCREW, cap, 1/4-28 NF x 7/8 (3/4"thd.)(1AX 32)	2
V		NUT, hex. 1/4-28 NF (20AX 1)	2
W		WASHER, Lock, 1/4 I.D.(36AX 1)	2
X	37AX 471	WASHER, Flat	2
AL	20QC 511A	GEAR, Power Steering (For Components, see back of Group)	1
AG	7QC 3104P2	BRACKET, Steering Gear Mounting	1
AH		SCREW, cap, 5/8-11 NCx 5 (1-1/2"thd.)(4AX 303)	1
AJ		SCREW, cap, 5/8-18 NF x 4-1/4 (1-3/8"thd.)(1AX 131)	1
AJ-1	1AX 405	SCREW, cap (5/8-18 NF)	1
AK	21AX 338	NUT	1
AK-1	21AX 360	NUT	1
AK-2		WASHER, Lock, 5/8 I.D.(36AX 7)	1
AL	37AX 171	WASHER, Flat	3
AM	9QC 3102	LEVER, Steering Gear	1
BB	83AX 121	CLAMP, Power Steering Hose At Reservoir	1
BC	38QC 418P3	PUMP, Power Steering (For Components, see back of Group)	1
BD	1QCA 1153P2	KIT, Power Steering Pump Mounting & Drive (See Group 10F)	1
<u>SECTION 103AS - 1QCA 5490P2</u> Same as 1QCA 5380P1(Section 103A)Except			
C	13KFA 49A	COLUMN ASSEMBLY, Upper Steering (For Components, see back of Group)	1
N	4QC 3101	BRACKET, Steering Post Anchor	1
P	Omit		
Thru			
T			
U		SCREW, cap, 1/4-28 NF x 7/8 (3/4"thd.)(1AX 32)	2
V		NUT, hex. 1/4-28 NF (20AX 1)	2
W		WASHER, Lock, 1/4 I.D.(36AX 1)	2
X	37AX 471	WASHER, Flat	2
AC	20QC 511A	GEAR, Power Steering (For Components, see back of Group)	1
AG	7QC 3104P2	BRACKET, Steering Gear Mounting	1
AH		SCREW, cap, 5/8-11 NCx 5 (1-1/2"thd.)(4AX 303)	1
AJ		SCREW, cap, 5/8-18 NF x 4-1/4 (1-3/8"thd.)(1AX 131)	1
AJ-1	1AX 405	SCREW, cap (5/8-18 NF)	1
AK	21AX 338	NUT	1
AK-1	21AX 360	NUT	1
AK-2		WASHER, Lock, 5/8 I.D.(36AX 7)	1

TITLE PRIMING PUMP LUB. OIL MOUNTING ARRANGEMENT

LINE NO.	PART NUMBER	DESCRIPTION	NO. REQ.
		<u>SECTION 17A - 38QCA 345</u>	
1	40RJ 333	BRACKET, Lubricating Oil Prime Pump	1
		Attaching Parts:	
2		SCREW, cap, 3/8-24 NF x 1-1/4 (1"thd.)(1AX 24)	4
3	21AX 313	NUT (3/8-24 NF)	4
4	37AX 472	WASHER, Plain	4

TITLE P.T.O. & HYDRAULIC PUMP MOUNTING ARRANGEMENT

LINE NO.	PART NUMBER	DESCRIPTION	NO. REQ.
<u>SECTION 19A - 3RGA 210P1</u>			
1	4RGA 187	P.T.O. ASSEMBLY (For Components, see back of Group)	1
2		Attaching Parts:	
3		SCREW, cap, 7/16- 4 NC x 1-1/2 (1-1/8"thd.)(4AX 140)	8
4	38QC 424P1	WASHER, Lock, 7/16 I.D.(36AX 4) PUMP, Hydraulic (For Components, see back of Group)	8 1
5	63AX 1737	CONNECTOR, Transmission to P.T.O.Hose Assembly	1
6	36RUA 314P27	HOSE ASSEMBLY, Transmission to P.T.O. Use Units as follows:	1
7		HOSE, medium high pressure 7/16 I.D. x 3/4 O.D. x 25-13/32"lg. (900AXA)	1
8	63AX 1720	END, Hose (Female)	1
9	63AX 1726	END, Hose (Male)	1
10	92RU 1208	BUSHING, Orifice Transmission to P.T.O hose Assembly	1
11	63AX 1221	REDUCER, Transmission to P.T.O.Clutch Hose Assembly	1
12	36RUA 314P44	HOSE ASSEMBLY, Transmission to P.T.O.Clutch Use Units as follows:	1
13		HOSE, medium high pressure 3/16 I.D. x 1/2 O.D. x 42-13/16"lg. (897AXA)	1
14	63AX 1717	END, Hose (Female)	1
15	63AX 1723	END, Hose (Male)	1
16	63AX 551	TEE, Transmission Pressure Line	1
17	63AX 329	CONNECTOR, Transmission Pressure Line Tee	2
18	63AX 5	NIPPLE, Transmission Pressure Line	1
<u>SECTION 19B - 3RGA 210P2</u>			
Same as 3RGA 210P1(Section 19A)Except			
4	38QC 424P2	PUMP, Hydraulic (For Components, see back of Group)	1



TITLE VACUUM PUMP & PIPING MOUNTING ARRANGEMENT

Illustration #38-173-56.

KEY	PART NUMBER	DESCRIPTION	NO. REQ.
<u>SECTION 21A - 38QCA 53</u>			
A	38QC 223	PUMP, Vacuum Priming (For Components, See Back of Group)	1
B		Attaching Parts:	
C	21AX 475	SCREW, 1/2-20 NF x 1-3/4 (1-1/4" thd.)(1AX 108)	4
C-1	37AX 474	NUT, (1/2-20 NF)	4
D	310GC 338	WASHER, Plain	4
E	7AX 209	PULLEY, Pump Driving	1
F	42AX 427	Attaching Parts:	
G	310GC 337	SCREW, Set (1/4-28 NF)	1
H	7AX 209	KEY	1
J	42AX 73	PULLEY, Hydraulic Motor Driving	1
K	88GB 354P37	Attaching Parts:	
L	95RS 218	SCREW, Set (1/4-28 NF)	1
M	71RU 12290	KEY	1
N		BRACKET, Hydraulic Motor Adjusting	1
N-1	21AX 313	Attaching Parts:	
N-2	37AX 472	SCREW, Cap 3/8-24 NF x 1-1/4 (1" thd.)(1AX 24)	2
P	73RU 21731	NUT, (3/8-24 NF)	2
Q		WASHER, Plain	2
R	21AX 440	BRACKET COMPLETE, Hydraulic Motor Adjusting	1
R-1	37AX 476	Attaching Parts:	
S		SCREW, Cap 3/4-16 NF x 1-3/4 (Full thd.)(1AX 83)	1
T	21AX 475	NUT, (3/4-16 NF)	1
T-1	37AX 474	WASHER, Plain	1
U	73RU 11935	SCREW, Cap, 1/2-20 NF x 1-1/4 (Full thd.)(1AX 42)	2
V		NUT(1/2-20 NF)	2
W	21AX 475	WASHER, Plain	2
W-1	37AX 474	BRACKET, Motor Mounting	1
X	71RU 2628	Attaching Parts:	
Y		SCREW, Cap 1/2-20 NF x 1-1/4 (Full thd.)(1AX 42)	2
Z	21AX 313	NUT, (1/2-20 NF)	2
Z-1	37AX 472	WASHER, Plain	2
AA	63AX 263	BRACKET, Hydraulic Motor Mounting	1
AB	63AX 2076	Attaching Parts:	
AC	36RUA 3178P62	SCREW, Cap 3/8-24 NF x 1-1/4 (1" thd.)(1AX 24)	1
-		NUT(3/8-24 NF)	1
AD	63AX 2224	WASHER, Plain	1
AE	63AX 2050	NIPPLE, Supply & Drain Line	2
AF	30RS 215P9	ELBOW, Supply & Drain Line	2
AG	33QE 22P1	HOSE ASSY., Supply Line	1
AH	7AX 73	Use Units as Follows	
AH-1	12QD 1249	HOSE, Medium High Pressure 7/16 I.D. x 3/4 O.D. x 60-1/8" L. (900AXA)	1
AJ	117RS 332P56	Q END, Hose (Female)	2
AK	63AX 805	ELBOW, Supply Line	1
AL	63AX 218	VALVE, Supply Line Water Adjusting & Shut-Off	2
AM	117RS 332P55	HANDLE, Water Adjusting & Shut-Off	2
AN	63AX 736	Attaching Parts:	
AP	63AX 263	SCREW, (1/2-20 NC)	2
AQ	63AX 297	BUSHING, Valve Handle	2
AR	63AX 805	PIPE, Supply Line (3-5/8" L.)	1
AS	92RU 1335P1	NIPPLE, Supply Line	1
AT	117RS 332P73	UNION, Supply Line	1
AU	63AX 130	PIPE, Supply Line (6" L.)	1
AV	63AX 131	ELBOW, 45°, Supply Line	1
		NIPPLE, Supply Line	1
		ELBOW, Supply Line	1
		NIPPLE, Supply Line	1
		TEE, Reducer, Supply Line	1
		PIPE, Supply Line (13-3/4" L.)	1
		ELBOW, Supply Line	5
		NIPPLE, Supply Line	4



TITLE VACUUM PUMP &amp; PIPING MOUNTING ARRANGEMENT

KEY	PART NUMBER	DESCRIPTION	NO. REQ.
SECTION 21A- 38QCA 53 (Cont.)			
Aw	63AX 64	UNION, Supply Line	2
AX	63AX 198	REDUCER, Pump Drain Line	1
AY	63AX 3109	NIPPLE, Pump Drain & Supply Line	3
AZ	63AX 130	ELBOW, Pump Drain Line	1
BA	63AX 1356	NIPPLE, Pump Drain Line	1
BB	30RS 213P2	VALVE, Pump Drain Shut-Off	1
BC	77RU 166	SHAFT COMPLETE, Valve Stem Extension	1
BD		Attaching Parts:	
BE	33QE 22P1	COTTER PIN, Stl. 5/32 x 1-1/4 (29AX 38)	1
		HANDLE, Shut-Off Valve	1
		Attaching Parts:	
BF	7AX 73	SCREW, (1/2-20 NC)	1
BG	47QE 151	GUIDE, Valve Stem Extension Shaft	1
		Attaching Parts:	
BH		SCREW, Cap 1/4-28 NF x 7/8 (3/4" thd.)(1AX 32)	1
BJ	21AX 441	NUT, (1/4-28 NF)	1
BJ-1	37AX 471	WASHER, Plain	1
BK	63AX 1905	NIPPLE, Pump Drain Valve	1
BL	258AX 10	RUBBER, Hose Coupling	1
BM	63AX 3017	NIPPLE, Pump Inlet Line	1
BP	63AX 91	ELBOW, Street, 90°, Pump Inlet Line	3
BQ	30RS 1380	VALVE, Pump Inlet Line Check	1
BR	4RD 2208	PIPE, Pump Inlet Line	1
BS	63AX 24	COUPLING, Vacuum Gauge Line	1
BT	63AX 1082	CONNECTOR, Vacuum Gauge Line	2
BU	12QD 1233P3	BUSHING, Reducer, Pump Inlet Line	1
BV	63AX 4053	TEE, Pump Inlet Line	1
BW	30RS 1374	VALVE, Pump Inlet Line Relief	1
BX	63AX 86	NIPPLE, Pump Inlet Line	1
BY	93RU 1208	FLANGE, Pump Inlet Line	1
		Attaching Parts:	
BZ		SCREW, Cap, 5/8-18 NF x 2-1/4 (1-1/2" thd.)(1AX 97)	4
CA	21AX 360	NUT, (5/8-18 NF)	4
CA-1	37AX 271	WASHER, Plain	4
CB	11MF 2452	TUBE, Complete, Reservoir Return Line	1
		Attaching Parts:	
CC		SCREW, Cap 5/8-18 NF x 2-1/4 (1-1/2" thd.)(1AX 97)	4
CD	21AX 360	NUT, (5/8-18 NF)	4
CD-1	37AX 271	WASHER, Plain	4
CE	160AX 278	HOSE, Reservoir Return Line	2
CF	83AX 453	CLAMP, Return Line Hose	4
CG	11MF 2385P4	TUBE, Reservoir Return Line	1
CH	63AX 2010	ADAPTER, Reservoir Drain Line	1
CJ	36RUA 3178P84	HOSE ASSY., Reservoir Drain Line	1
		Use Units as follows:	
-		HOSE, Medium High Pressure 7/16 I.D. x 3/4 O.D. x 82-1/8" Lg. (900AXA)	1
CK	63AX 2224	END, Hose (Female)	2
CL	30RS 215P9	VALVE, Reservoir Drum Line Shut-Off	1
CM	117RS 332P55	PIPE, Reservoir Drain Line (6" Lg.)	1
BULK TUBING			
	100AX 64FT50	TUBING, Copper 1/4 O.D.	

LINE NO.	PART NUMBER	DESCRIPTION	NO. REQ.
<u>SECTION 16A-39QCA 391</u>			
1	39QC 533	TANK ASSEMBLY, Lubricating Oil Includes:	1
2	25MB 31	STRAINER COMPLETE, Oil Tank	1
3	16MFA 235P2	CAP ASSEMBLY, Oil Tank	1
4	2MD 144	CAP, Oil Tank Breather	1
5	1MT 143	GAUGE, Water	1
6	104MF 119	COVER, Oil Tank	1
Attaching Parts:			
7		SCREW, cap, 3/8-24 NF x 1-1/4 (1"thd.)(1AX 24)	3
8	21AX 313	NUT (3/8-24 NF)	3
9	37AX 472	WASHER, Plain	3
10	5MB 3252	SUPPORT, Oil Tank	1
Attaching Parts:			
11		SCREW, cap, 3/8-24 NF x 1-1/4 (1"thd.)(1AX 24)	4
12	21AX 313	NUT (3/8-24 NF)	4
13	37AX 472	WASHER, Plain	4

11/4/64

ejm-mes

Illustration #39-173-52.

KEY	PART NUMBER	DESCRIPTION	NO. REQ.
<u>SECTION 17A - 39QCA 466</u>			
A	3MF 237	EXCHANGER, Heat	1
B	5MB 1148	SUPPORT, Heat Exchanger	2
C	120AX 165	Attaching Parts: "U" BOLT, (1/2-20 NF)	2
D		NUT, hex. 1/2-20 NF (20AX 5)	4
D-1		WASHER, Lock, 1/2 I.D. (36AX 5)	4
E	34RU 2269	GUARD, Heat Exchanger	1
F	72RU 3131	SUPPORT, Heat Exchanger L.H.	1
G	72RU 3130	SUPPORT, Heat Exchanger R.H.	1
H		Attaching Parts: SCREW, cap, 1/2-20 NF x 1-1/4 (Full thd.) (1AX 42)	4
H-1		NUT, hex. 1/2-20 NF (20AX 5)	4
H-2		WASHER, Lock, 1/2 I.D. (36AX 5)	4
J	61AX 171	COCK, Heat Exchanger Drain	1
K	11MF 1319	HOSE, Radiator Outlet (R.H.)	1
L	83AX 454	CLAMP, Radiator Outlet Hose	2
M	10MF 288	FITTING COMPLETE, Radiator Outlet	1
N	11MF 2443	HOSE, Radiator Outlet (L.H.)	1
N-1	58AX 246	SPRING, Radiator Outlet Hose	1
P	83AX 454	CLAMP, Lower Radiator Outlet Hose	2
Q	160AX 404	HOSE, Heat Exchanger to Water Pump By-Pass Tube	3
R	83AX 452	CLAMP, Water Pump By-Pass Tube Hose	6
S	11MF 2446	TUBE, Heat Exchanger to Water Pump By-Pass	1
T	11MF 1320	TUBE, Heat Exchanger to Water Pump By-Pass	1
U	36RUA 38P141	HOSE ASSEMBLY, Pressure Gauge	1
-		Use Units as follows: HOSE, medium high pressure 3/16 I.D. x 1/2 O.D. x 139 -11/16"L. (897AXA)	1
V	63AX 1717	END, Hose (Female)	2
W	63AX 329	CONNECTOR, Pressure Gauge Hose Assembly	1
X	92RU 243	ELBOW, Oil Filter Inlet Line (At Transmission)	1
Y	63AX 3128	CONNECTOR, Oil Filter Inlet Line (At Filter)	1
Z	36RUA 331P35	HOSE ASSEMBLY, Oil Filter Inlet Line	1
-		Use Units as follows: HOSE, medium high pressure 7/8 I.D. x 1-1/4 O.D. x 33-1/8"L. (903AXA)	1
AA	63AX 2227	END, Hose (Female)	2
AB	485GB 3158	FILTER, Oil (For Components, see back of Group)	1
AB-1		Attaching Parts: SCREW, cap, 3/8-24 NF x 1-3/4 (1"thd.) (1AX 38)	4
AB-2		NUT, hex. 3/8-24 NF (20AX 3)	4
AB-3		WASHER, Lock, 3/8 I.D. (36AX 3)	4
AC	63AX 166	ELBOW, Oil Filter Outlet Line	1
AD	63AX 385	NIPPLE, Oil Filter Outlet Line	1
AE	63AX 123	COUPLING, Oil Filter Outlet Line	1
AF	63AX 3127	ELBOW, Oil Filter Outlet Line	1
AG	36RUA 331P37	HOSE ASSEMBLY, Oil Filter Outlet Line	1
-		Use Units as follows: HOSE, medium high pressure 7/8 I.D. x 1-1/4 O.D. x 35-1/8"L. (903AXA)	1
AH	63AX 2227	END, Hose (Female)	2
AJ	92RU 243	ELBOW, Oil Filter Outlet Line (At Transmission)	1
AK	63AX 3301	CONNECTOR, Heat Exchanger Oil Inlet Line (At Transmission)	1
AK-1	56AX 409	"O" RING, Oil Inlet Line Connector	1
AL	63AX 3314	ELBOW, Oil Inlet Line (At Transmission)	1
AM	36RUA 337P58	HOSE ASSEMBLY, Heat Exchanger Oil Inlet Line	1
-		Use Units as follows: HOSE, medium high pressure 1-1/8 I.D. x 1-1/2 O.D. x 56 "Lg. (904AXA)	1
AN	63AX 2228	END, Hose (Female)	2
AP	63AX 3103	ELBOW, Heat Exchanger Oil Inlet Line	1
AQ	63AX 962	ELBOW, Heat Exchanger Oil Inlet Line	1
AR	92RU 244	ELBOW, Heat Exchanger By-Pass Line (At Transmission)	1

4/28/65 ejm-mes

KEY	PART NUMBER	DESCRIPTION	NO. REQ.
		<u>SECTION 17A - 39QCA 466(Cont.)</u>	
AS	36RUA 337F75	HOSE ASSEMBLY, Heat Exchanger By-Pass Line	1
		Use Units as follows:	
		HOSE, medium high pressure 1-1/8 I.D. x 1-1/2 O.D. x 73 L. (30AXA)	1
AT	63AX 2228	END, Hose (Female)	2
AU	63AX 3103	ELBOW, Heat Exchanger By-Pass Line	1
AV	83AX 64	CLAMP, Heat Exchanger Hose Assembly Clamp	6
		Attaching Parts:	
AV-1		SCREW, machine rd. Phillips hd. 1/4-28 NF x 1(130AX 833)	6
AV-2		NUT, hex. 1/4-28 NF (20AX 1)	6
AV-3		WASHER, Lock, 1/4 I.D.(36AX 1)	6





TITLE WATER &amp; AIR TANK MOUNTING APPURTENANCE

ILLUSTRATION #39-173-55

KEY	PART NUMBER	DESCRIPTION	NO. REQ.
<u>SECTION 19A - 39QCA 470</u>			
A	5MB 454	SUPPORT COMPLETE, Tank Mounting	2
B		Attaching Parts:	
C	21AX 475	SCREW, Cap 1/2-20 NF x 1-1/2 (1-1/4"thd.)(LAX 60)	8
C-1	37AX 474	NUT(1/2-20 NF)	8
D	22QE 2104	WASHER, Plain	8
E	4MR 2141P4	RESERVOIR, Air	6
F	39QC 469	PLATE, Name (Air)	6
G	16MFA 169	RESERVOIR, Water	1
H	4MR 2141P5	CAP	1
J	8MB 283	PLATE, Name (Water)	1
J-1	12AX 107	STRAP, Air Reservoir Mounting	4
K	8MB 279P6	PAD, Air Reservoir Mounting Strap Rubber	4
L	21AX 360	STRAP, Air Reservoir Mounting	8
L-1	37AX 271	Attaching Parts:	
M	12AX 109P21	NUT(5/8-18 NF)	16
N	8MB 279P1	WASHER, Plain	16
P	21AX 360	PAD, Air Reservoir Mounting Strap Rubber (21" Lg.)	8
P-1	37AX 271	STRAP, Water Reservoir Mounting	2
Q	12AX 109P46	Attaching Parts:	
R	301AX 17	NUT(5/8-18 NF)	4
S		WASHER, Plain	4
T	78MO 233	PAD, Water Reservoir Mounting Strap Rubber (46" Lg.)	2
U	65RU 2170P3	ANTI-SQUEAK, Water Reservoir 1/8 x 1-1/2 x 17" (301AXA)	2
V	78MOA 321	ANTI-SQUEAK, Air Reservoir 1/8 x 1-1/2 x 2 (301AXA)	8
W	81RS 39001	BRACKET COMPLETE, Bell Mounting	1
X	68RU 138	Attaching Parts:	
		ROLL PIN	1
		BRACKET ASSY., Clapper & Stud	1
		BELL, 12" Locomotive	1
		Attaching Parts:	
		NUT(3/4-10 NC)	1

TITLE HYDRAULIC TANK MOUNTING ARRANGEMENT

Illustration #39-173-54.

KEY	PART NUMBER	DESCRIPTION	NO. REQ.
<u>SECTION 20A - 39QCA 472</u>			
A	39QC 471	TANK COMPLETE, Hydraulic Includes:	1
B	16MFA 242P2	CAP	1
C	1MT 226P4	INDICATOR, Oil Level	1
D	5MB 3256	BRACKET COMPLETE, Tank Support R.H.	1
E	5MB 3257	BRACKET COMPLETE, Tank Support L.H.	1
F		Attaching Parts:	
G	21AX 475	SCREW, cap, 1/2-20 NF x 1-1/2 (1-1/4"thd.)(1AX 60)	10
G-1	37AX 474	NUT (1/2-20 NF)	10
H	12MB 281	WASHER, Plain	10
J	8MB 282P2	SHIELD, Tank	1
K	21AX 360	STRAP, Tank Mounting	2
K-1	37AX 271	Attaching Parts:	
L	12AX 109P29	NUT (5/8-18 NF)	4
M		WASHER, Plain	4
N		PAD, Tank Mounting Strap Rubber (29"lg.)	2
N-1	71RU 2625	ANTI-SQUEAK, Tank Mounting 1/4 x 2 x 2 1/2"lg. (306AXA)	2
		ANTI-SQUEAK, Tank Mounting 1/4 x 2 x 4"lg. (306AXA)	2
		BRACE, Rear Cab Support	2

# MACK TRUCK-TRACTOR PARTS BOOK

GROUP #10K - COMPRESSOR DISCHARGE LINE ARRANGEMENT  
SECTION 256

NOTE: Key Letters Indicated on Illustration #3-175-325.

KEY	PART NUMBER	DESCRIPTION	NO. REQ.
		<u>SECTION 256A - 3QEA 4219P1</u>	
A		COMPRESSOR, Air (See Group 1)	
B	103QEA 127P1	FITTING, Compressor Discharge	1
B-1	56AX 1	Attaching Parts: GASKET	1
B-2		SCREW, Cap, 5/16-18 NC x 1-3/4 (7/8" thd.) (4AX 45)	2
B-3		WASHER, Lock, 5/16 I.D. (36AX 22)	2
C	100AXA 70	TUBE, Copper, 3/4 O.D. x 42" L., Compressor Discharge Line to Hose Assembly	1
D			
Thru	NOT USED		
D-5			
E	NOT USED		
F	83AX 38	CLAMP, Compressor to Hose Assembly Tube (At Transmission Cover)	2
F-1	37AX 9	Attaching Parts: WASHER, Flat	2
F-2	9RU 1199	INSULATOR, 1" O.D. x 2-5/16" L., Tubing	2
G	36RUA 324P16	HOSE ASSEMBLY, Compressor Discharge Tube to Rear Reservoir Discharge Tube	1
G-1		Use Units as Follows: HOSE, Medium high pressure 25/64 I.D. x 49/64 O.D. x 14-5/16" L. (901AXA)	1
G-2	63AX 1727	END, Hose	2
H	63AX 3265	CONNECTOR, Compressor Discharge Line Hose Assembly	1
H	63AX 1906	CONNECTOR, Compressor Discharge Line Hose Assembly	1
J	NOT USED		
J-1	NOT USED		
K		TUBING & CLAMP REQUIREMENTS (Rear Discharge Line) (See Group 10K)	
L		RESERVOIR, Air (See Group 10Q)	
M	63AX 1408	CONNECTOR ASSEMBLY, Rear Discharge Line to Air Reservoir	1
		<u>SECTION 256B - 3QEA 4219P2</u> Same as 3QEA 4219P1 (Section 256A) Except	
J	63AX 1418	ELBOW ASSEMBLY, 90°, Compressor Discharge Line to L.H. Air Reservoir Tube	1
M	OMIT		

10/5/62 ee ko

PAGE #10K-256-1

MACK CHASSIS NUMBER must always be given with PART NUMBER when ordering.

# MACK TRUCK-TRACTOR PARTS BOOK

GROUP #10K - COMPRESSOR DISCHARGE LINE ARRANGEMENT  
SECTION 256 - (Continued)

KEY	PART NUMBER	DESCRIPTION	NO. REQ.
		<u>SECTION 256C - 3QEA 4219P3</u> Same as 3QEA 4219P1 (Section 256A) Except	
H	63AX 3265	CONNECTOR, Compressor Discharge Line Hose Assembly	2
J		ELBOW, 90°, Compressor Discharge Line to R.H. Air Reservoir (63AX 202)	1
J-1	63AX 125	BUSHING, Compressor Discharge Line to R.H. Air Reservoir Elbow	1
M	OMIT		
		<u>SECTION 256D - 3QEA 4219P4</u> Same as 3QEA 4219P1 (Section 256A) Except	
C	100AXA 70	TUBE, Copper, 3/4 O.D. x 68" L., Compressor to Hose Assembly Discharge Line	1
D	83AX 392	CLAMP, Compressor Discharge Line to Air Reservoir Hose Assembly (On Overboard Breather Tube)	1
D-2		Attaching Parts: SCREW, Cap, 1/4-28 NF x 5/8 (Full thd.) (1AX 8)	1
D-3		NUT, Hex. 1/4-28 NF (20AX 1)	1
D-4		WASHER, Lock, 1/4 I.D. (36AX 1)	1
D-5	37AX 472	WASHER, Flat	1
		<u>SECTION 256E - 3QEA 4219P5</u> Same as 3QEA 4219P1 (Section 256A) Except	
C	100AXA 70	TUBE, Copper, 3/4 O.D. x 68" L., Compressor Discharge Line to Air Reservoir Hose Assembly	1
D	83AX 392	CLAMP, Compressor Discharge Line to Air Reservoir Hose Assembly (On Overboard Breather Tube)	1
D-2		Attaching Parts: SCREW, Cap, 1/4-28 NF x 5/8 (Full thd.) (1AX 8)	1
D-3		NUT, Hex. 1/4-28 NF (20AX 1)	1
D-4		WASHER, Lock, 1/4 I.D. (36AX 1)	1
D-5	37AX 472	WASHER, Flat	1
J	63AX 1418	ELBOW, 90°, Compressor Discharge Line to L.H. Air Reservoir	1
M	OMIT		

# MACK TRUCK-TRACTOR PARTS BOOK

GROUP #10K - COMPRESSOR DISCHARGE LINE ARRANGEMENT  
SECTION 256 - (Continued)

KEY	PART NUMBER	DESCRIPTION	NO. REQ.
		<u>SECTION 256F - 3QEA 4219P6</u> Same as 3QEA 4219P1 (Section 256A) Except	
C	100AXA 70	TUBE, Copper, 3/4 O.D. x 68" L., Compressor Discharge Line to R.H. Air Reservoir Hose Assembly	1
D	83AX 392	CLAMP, Compressor Discharge Line to Air Reservoir Hose Assembly (On Overboard Breather Tube)	1
D-2		Attaching Parts: SCREW, Cap, 1/4-28 NF x 5/8 (Full thd.) (LAX 8)	1
D-3		NUT, Hex. 1/4-28 NF (20AX 1)	1
D-4		WASHER, Lock, 1/4 I.D. (36AX 1)	1
D-5	37AX 472	WASHER, Flat	1
H	63AX 3265	CONNECTOR, Compressor Discharge Line Hose Assembly	2
J		ELBOW, 90°, Compressor Discharge Line to R.H. Air Reservoir (63AX 202)	1
J-1	63AX 125	BUSHING, Compressor Discharge Line to Air Reservoir Elbow	1
M	OMIT		
		<u>SECTION 256G - 3QEA 4219P7</u> Same as 3QEA 4219P1 (Section 256A) Except	
C	100AXA 70	TUBE, Copper, 3/4 O.D. x 85" L., Compressor Discharge Line Rear Air Reservoir	1
E	83AX 437	CLAMP, Compressor Discharge Line to Air Reservoir Hose Assembly (At Side - Engine Block)	1
E-1		Attaching Parts: SCREW, Cap, 9/16-18 NF x 3/4 (Full thd.) (LAX 348)	1
E-2		WASHER, Lock, 9/16 I.D. (36AX 6)	1
		<u>SECTION 256H - 3QEA 4219P8</u> Same as 3QEA 4219P1 (Section 256A) Except	
C	100AXA 70	TUBE, Copper, 3/4 O.D. x 85" L., Compressor Discharge Line L.H. Air Reservoir	1
E	83AX 437	CLAMP, Compressor Discharge Line to Air Reservoir Hose Assembly (At Side - Engine Block)	1
E-1		Attaching Parts: SCREW, Cap, 9/16-18 NF x 3/4 (Full thd.) (LAX 348)	1
E-2		WASHER, Lock, 9/16 I.D. (36AX 6)	1
J	63AX 1418	ELBOW ASSEMBLY, 90°, Compressor Discharge Line to L.H. Air Reservoir Tube	1

10/5/62 ee ko

PAGE #10K-256-3

MACK CHASSIS NUMBER must always be given with PART NUMBER when ordering.

# MACK TRUCK-TRACTOR PARTS BOOK

GROUP #10K - COMPRESSOR DISCHARGE LINE ARRANGEMENT  
SECTION 256 - (Continued)

KEY	PART NUMBER	DESCRIPTION	NO. REQ.
		<u>SECTION 256H - 3QEA 4219P8 (Cont.)</u>	
M	OMIT		
		<u>SECTION 256J - 3QEA 4219P9</u> Same as 3QEA 4219P1 (Section 256A) Except	
C	100AXA 70	TUBE, Copper, 3/4 O.D. x 85" L., Compressor Discharge Line R.H. Air Reservoir	1
E	83AX 437	CLAMP, Compressor Discharge Line to Air Reservoir Hose Assembly (At Side - Engine Block)	1
E-1		Attaching Parts: SCREW, Cap, 9/16-18 NF x 3/4 (Full thd.) (1AX 348)	1
E-2		WASHER, Lock, 9/16 I.D. (36AX 1)	1
H	63AX 3265	CONNECTOR, Compressor Discharge Line Hose Assembly	2
J		ELBOW, 90°, Compressor Discharge Line to R.H. Air Reservoir (63AX 202)	1
J-1	63AX 125	BUSHING, Compressor Discharge Line to Air Reservoir Elbow	1
M	OMIT		
		<u>SECTION 256K - 3QEA 4219P10</u> Same as 3QEA 4219P1 (Section 256A) Except	
B	103QE 113	FITTING, Compressor Discharge	1
C	100AXA 68	TUBE, Copper, 1/2" O.D. x 44" L., Compressor Discharge Line Rear Air Reservoir	1
D	83AX 55	CLAMP, Compressor Discharge Line to Air Reservoir Hose Assembly	1
(D)	83AX 537	CLAMP, Compressor Discharge Line to Air Reservoir Hose Assembly	1
D-2		Attaching Parts: SCREW, Cap, 5/16-24 x 1-5/8 (7/8" thd.) (1AX 4)	1
D-3		NUT, Hex, 5/16-24 NF (20AX 2)	1
D-4		WASHER, Lock, 5/16 I.D. (36AX 22)	1
F	83AX 247	CLAMP, Compressor to Hose Assembly Tube (At Transmission Cover)	1
F-1	37AX 9	Attaching Parts: WASHER, Flat	1
F-2	91RU 1199	INSULATOR, 1" O.D. x 2-5/16" L., Tubing	1
G	36RUA 323P16	HOSE ASSEMBLY, Compressor Discharge Line to Rear Reservoir Discharge Tube	1
G-1		Use Units as Follows: HOSE, Medium high pressure, 13/32 I.D. x 25/32 O.D. x 14-3/8" L. (900AXA)	1

LINE NO.	PART NUMBER	DESCRIPTION	NO. REQ.
<u>SECTION 262A - 3QEA 4220P1</u> W/Separate Air Reservoir			
1 Thru 4	Not Used		
5	100AXA 64FT50	TUBING, Copper 1/4" O.D. Governor Supply (At Governor)(Bulk Item)	AR
6	20QE 275	GOVERNOR (For Components, see back of Group) Attaching Parts:	
7	Not Used		
8		SCREW, cap, 5/16-18 NC x 2-3/4 (7/8"thd.)(4AX 255)	2
9		WASHER, Lock, 5/16 I.D.(36AX 22)	2
10	590GB 1180	GASKET, Governor	1
11	Not Used		
12	63AX 330	ELBOW, (At Governor)	1
13	63AX 441	TEE, Governor Supply Line	1
14	36RUA 38P18	HOSE ASSEMBLY, Governor Supply At Dry Reservoir to Brake Valve Tee	1
15		Use Units as follows: HOSE, medium high pressure 3/16 I.D. x 1/2 O.D. x 16-3/4"L. (897AXA)	1
16	63AX 1717	END, Hose	2
17	Not Used		
18	63AX 3038	TEE, Dry Reservoir to Brake Valve Line	1
19	63AX 6	BUSHING, Governor Supply Hose	1
20			
Thru 35	Not Used		
<u>SECTION 262B - 3QEA 4220P2</u> W/Separate Air Reservoir			
Same as 3QEA 4220P1(Section 262A)Except			
7		SCREW, cap, 5/16-18 NC x 1 (7/8"thd.)(4AX 5)	2
8		SCREW, cap, 5/16-18 NC x 3 (7/8"thd.)(4AX 132)	2
9		WASHER, Lock, 5/16 I.D.(36AX 22)	4
11	90RU 1157	ADAPTER, Governor	1
<u>SECTION 262C - 3QEA 4220P3</u> W/Separate Brake Reservoir			
Same as 3QEA 4220P1(Section 262A)Except			
13	Omit		
14	36RUA 314P72	HOSE ASSEMBLY, Governor Supply to Dry Reservoir Tee	1
15		Use Units as follows: HOSE, medium high pressure 3/16 I.D. x 1/2 O.D. x 70-3/16"L. (897AXA)	1
16	63AX 1723	END, Hose	1
17	63AX 1717	END, Hose	1
20	83AX 562	CLAMP, Governor Supply Hose	1
21	83AX 665	CLAMP, Governor Supply Hose	3
22		SCREW, cap, 1/2-20 NF x 4-3/4 (1-1/4"thd.)(4AX 134)	1
23		WASHER, Lock, 7/16 I.D.(36AX 4)	2
<u>SECTION 262D - 3QEA 4220P4</u> W/Separate Air Reservoir			
Same as 3QEA 4220P1(Section 262A)Except			
13	Omit		
14	36RUA 314P47	HOSE ASSEMBLY, Governor Supply to Dry Reservoir Tee	1
15		HOSE, medium high pressure 3/16 I.D. x 1/2 O.D. x 45-13/16"L. (897AXA)	1
16	63AX 1723	END, Hose	1
17	63AX 1717	END, Hose	1

LINE NO.	PART NUMBER	DESCRIPTION	NO. REQ.
<u>SECTION 262D - 3QEA 4220P4(Cont.)</u>			
21	83AX 665	CLAMP, Governor Supply Hose	1
23		WASHER, Lock, 7/16 I.D.(36AX 4)	1
<u>SECTION 262E - 3QEA 4220P5</u>			
W/Separate Air Reservoir Same as 3QEA 4220P1(Section 262A)Except			
1	74QE 15	BRACKET, Governor Mounting	1
2		SCREW, cap, 5/16-18 NC x 2-5/8 (3/4"thd.)(4AX 334)	2
3		NUT, hex. 5/16-18 NC (22AX 20)	2
4		WASHER, Lock, 5/16 I.D.(36AX 22)	2
8	) Omit		
Thru			
10	) Omit		
13			
14	36RUA 314P36	HOSE ASSEMBLY, Governor Supply to Dry Reservoir Tee	1
15		HOSE, medium high pressure 3/16 I.D. x 2-1/2 O.D. x 34-13/16"L. (897AXA)	1
16	63AX 1723	END, Hose	1
17	63AX 1717	END, Hose	1
25	63AX 1081	CONNECTOR, Governor to Compressor Tube	2
26	590B 123	BRACKET, Control Wire Clamp	1
27	83AX 562	CLAMP, Governor Supply Hose	1
28		SCREW, cap, 1/4-28 NF x 7/8 (3/4"thd.)(1AX 32)	1
29		NUT, hex. 1/4-28 NF (20AX 1)	1
30		WASHER, Lock, 5/16 I.D.(36AX 22)	1
31		SCREW, cap, 1/2-20 NF x 3/4 (Full thd.)(1AX 411)	1
32		WASHER, Lock, 9/16 I.D.(36AX 6)	1
35	100AX 64FT50	TUBING, Copper 1/4 O.D.Governor to Compressor(50' Bulk Item 14"Req.)	1
<u>SECTION 262F - 3QEA 4220P6</u>			
W/Air Start Same as 3QEA 4220P1(Section 262A)Except			
5	100AX 64FT50	TUBING, Copper 1/4 O.D.Supply to Governor (50' Bulk Item 90"Req.)	1
13	Omit		
14	36RUA 314P69	HOSE ASSEMBLY, Governor Supply	1
15		HOSE, medium high pressure 3/16 I.D. x 1/2 O.D. x 67-13/16"L. (897AXA)	1
16	63AX 1723	END, Hose	1
17	63AX 1717	END, Hose	1
18	63AX 1082	CONNECTOR ASSEMBLY, At Manifold	1
19	Omit		
20	83AX 639	CLAMP, Governor Supply Tube	3
21	83AX 592	CLAMP, Governor Supply Hose	3
23		WASHER, Lock, 5/16 I.D.(36AX 22)	3
24	63AX 1438	CONNECTOR, Governor Supply Hose	1
<u>SECTION 262G - 3QEA 4220P7</u>			
W/Air Start Same as 3QEA 4220P1(Section 262A)Except			
5	100AX 64FT50	TUBING, Copper 1/4 O.D.Supply to Governor (50' Bulk Item 90"Req.)	2
7		SCREW, cap, 5/16-18 NC x 1 (7/8"thd.)(4AX 5)	2
8		SCREW, cap, 5/16-18 NCx 3 (7/8"thd.)(4AX 132)	2
10	590GB 1180	GASKET, Governor	2
11	90RU 1157	ADAPTER, Governor	1
13	Omit		
14	36RUA 314P59	HOSE ASSEMBLY, Governor Supply	1
15		HOSE, medium high pressure 3/16 I.D. x 1/2 O.D. x 57-13/16"L. (897AXA)	1
16	63AX 1723	END, Hose	1
17	63AX 1717	END, Hose	1
18	63AX 1082	CONNECTOR ASSEMBLY, At Manifold	1
19	Omit		



# MACK TRUCK-TRACTOR PARTS BOOK

GROUP #10K - AIR BRAKE ARRANGEMENT FRONT WHEEL LIMITING VALVE  
SECTION 292

NOTE: Key Letters Indicated on Illustration #3-175-321.

KEY	PART NUMBER	DESCRIPTION	NO. REQ.
<u>SECTION 292A - 3QEA 3133P1</u>			
A	20QE 236A	VALVE, Limiting (For Components, see back of Group)	1
B	63AX 1596	ELBOW, Limiting Valve to Control Valve Hose	1
C	36RUA 314P30	HOSE ASSEMBLY, Limiting Valve to Control Valve	1
C-1		Use Units as follows: HOSE, medium high pressure 13/64 I.D. x 17/32 O.D. x 28-13/16"L. (897AXA)	1
C-2	63AX 1717	END, Hose (Female)	1
C-3	63AX 1723	END, Hose (Male)	1
D	83AX 562	CLAMP, Limiting Valve to Control Valve Hose	1
D-1		Attaching Parts: SCREW, cap, hex.hd. 1/4-28 NF x 5/8 (Full thd.)(1AX 8)	1
D-2		NUT, hex. finished 1/4-28 NF (20AX 1)	1
D-3		WASHER, Lock, medium 1/4 I.D. (36AX 1)	1
E	83AX 639	CLAMP, Limiting Valve to Control Valve Hose (At Connector)	1
E-1		Attaching Parts: SCREW, cap, hex.hd. 1/4-28 NF x 5/8 (Full thd.)(1AX 8)	1
E-2		NUT, hex. finished 1/4-28 NF (20AX 1)	1
E-3		WASHER, Lock, medium 1/4 I.D. (36AX 1)	1
E-4	63AX 1438	CONNECTOR, Control Valve Hose to Control Valve Tube	1
F		TUBING, Copper, 1/4 O.D. x 42"L. Control Valve to Limiting Valve (100AXA 64)	1
F-1		LOOM, SAE, Fire Resistant type 5/16 I.D. x 24"L. (676AXA)	1
G	83AX 639	CLAMP, Control Valve Tube	4
G-1		Attaching Parts: SCREW, machine rd. Phillips hd. 1/4-28 NF x 1 (130AX 833)	4
G-2	35AX 1184	WASHER, Lock	4
H	63AX 1090	ELBOW ASSEMBLY, Control Valve	2
J	20QE 251A	VALVE, Control	1
J-1	27RU 370P1	(For Components, see back of Group) NAME PLATE, Control Valve	1
K		TUBING, Copper 1/4 O.D. x 78"L. Control Valve to Brake Valve (100AXA 64)	1
K-1		LOOM, SAE, Fire Resistant type 5/16 I.D. x 24"L. (676AXA)	1
L	83AX 639	CLAMP, Control Valve to Brake Valve Tube	1
L-1		Attaching Parts: SCREW, cap, hex.hd. 1/4-28 NF x 5/8 (Full thd.)(1AX 8)	1
L-2		NUT, hex. finished 1/4-28 NF (20AX 1)	1
L-3		WASHER, Lock, medium 1/4 I.D. (36AX 1)	1

# MACK TRUCK-TRACTOR PARTS BOOK

GROUP #10K - AIR BRAKE ARRANGEMENT FRONT WHEEL LIMITING VALVE  
SECTION 292 (Continued)

KEY	PART NUMBER	DESCRIPTION	NO. REQ.
<u>SECTION 292A - 3QEA 3133P1(Cont.)</u>			
M	63AX 1920	ELBOW ASSEMBLY, Control Valve to Brake Valve Tube (at Brake Valve)	1
M-1	63AX 20	BUSHING, Brake Valve Elbow Reducing	1
N	---	VALVE, Brake (See Group 10K)	
P	Not Used	TUBING, Copper, 1/4 O.D. Limiting Valve to Control Valve	
<u>SECTION 292B - 3QEA 3133P2</u> Same as 3QEA 3133P1(Section 292A)Except			
C	36RUA 314P24	HOSE ASSEMBLY, Limiting Valve to Control Valve	1
C-1		HOSE, medium high pressure 13/64 I.D. x 17/32 O.D. x 22-13/16"L. (897AXA)	1
F		TUBING, Copper, 1/4 O.D. x 92"L. Control Valve to Limiting Valve (100AXA 64)	1
<u>SECTION 292C - 3QEA 3133P3</u> Same as 3QEA 3133P1(Section 292A)Except			
B	63AX 1920	ELBOW ASSEMBLY, Limiting Valve to Control Valve Tube	1
C	Omit		
E-4	Omit		
F	Omit		
K		TUBING, Copper 1/4 O.D. x 50"L. Control Valve to Brake Valve (100AXA 64)	1
P		TUBING, Copper 1/4 O.D. x 85"L. Limiting Valve to Control Valve (100AXA 64)	1
<u>SECTION 292D - 3QEA 3156</u> Same as 3QEA 3133P1(Section 292A)Except			
F-1		LOOM, SAE, Fire Resistant Type 5/16 I.D. x 24"L. (676AXA)	1
G	Omit		
G-1	Omit		
G-2	Omit		
J-1	27RU 1568	NAMEPLATE, Control Valve	1
J-2		Attaching Parts: SCREW, machine rd. Phillips hd. #10-24 NC x 7/16 (130AX 222)	2
K-1		LOOM, SAE, Fire Resistant type, 5/16 I.D. x 24" lg. (676AXA)	1



TITLE TUBING & CLAMP REQUIREMENTS

Quantity used is 1 unless otherwise specified in brackets ( ).

LINE NO	PART NUMBER	DESCRIPTION	LINE NO	PART NUMBER	DESCRIPTION
<u>SECTION 293A - 3QEA 4222F1 Thru P90</u>					
1	83AX 639	CLAMP, 1/4 OD Tubing (AR)			
2	83AX 640	CLAMP, 3/8 OD Tubing (AR)			
3	83AX 641	CLAMP, 1/2 OD Tubing (AR)			
4	83AX 642	CLAMP, 5/8 OD Tubing (AR)			
Attaching Parts:					
5	130AX 833	SCREW, 1/4-28 NF x 1 (AR)			
6	20AX 1	NUT, 1/4-28 NF (AR)			
7	36AX 1	WASHER, 1/4 ID (AR)			

BULK TUBING & LOOM

THE FOLLOWING PART NUMBERS SHOULD BE USED WHEN ORDERING IN BULK.

COPPER TUBING

8	100AXA 64	TUBING, 1/4" OD
9	100AXA 66	TUBING, 3/8" OD
10	100AXA 68	TUBING, 1/2" OD
11	100AXA 69	TUBING, 5/8" OD

LOOM

12	677AXA	LOOM, SAE 7/16 ID for 3/8"OD Tube
13	678AXA	LOOM, SAE 9/16 ID for 1/2"OD Tube
14	679AXA	LOOM, SAE 11/16ID for 5/8" OD Tube

SECTION 293B - 3QEA 1264P1 Thru P3

Same as Section 293A

NO PART NUMBER CHANGES

SECTION 293C - 3QEA 1265

Same as Section 293A

NO PART NUMBER CHANGES



Illustration #3-175-342.

KEY	PART NUMBER	DESCRIPTION	NO. REQ.
<u>SECTION 299A - 3QEA 4228P1</u>			
A	20QE 278	VALVE, Spring Brake Control (For Components, see back of Group)	1
B	63AX 1090	ELBOW ASSEMBLY, Spring Brake Control Valve to Truck-Tractor Control Valve Tube	1
C	63AX 1091	ELBOW ASSEMBLY, Air Manifold to Control Valve Tube	1
D	63AX 1107	CONNECTOR ASSEMBLY, Compression type 1/8 Male NPT x 1/4 O.D. Tubing, Spring Brake Control Valve Supply Tube	1
E	63AX 890	ELBOW, Spring Brake Control Valve Supply Connector	1
F	63AX 890	ELBOW, Spring Brake Control Valve Delivery Connector	1
G	63AX 1107	CONNECTOR ASSEMBLY, Spring Brake Control Valve Delivery Tube	1
H	83AX 640	CLAMP, Spring Brake Delivery Tube	2
H-1		Attaching Parts: SCREW, machine rd. Phillips hd. 1/4-28 NF x 1 (130AX 833)	2
H-2	35AX 1184	WASHER, Lock	2
J	83AX 640	CLAMP, Spring Brake Delivery Tube	2
J-1		Attaching Parts: SCREW, cap, 1/4-28 NF x 5/8 (Full thd.)(1AX 8)	2
J-2		NUT, hex. 1/4-28 NF (20AX 1)	2
J-3		WASHER, Lock, 1/4 I.D.(36AX 1)	2
K	63AX 1421	CONNECTOR ASSEMBLY, Spring Brake Delivery Tube Hose	2
L	36RUA 322P9	HOSE ASSEMBLY, Spring Brake Delivery Tube	1
L-1		Use Units as follows: HOSE, medium high pressure 5/16 I.D. x 11/16 O.D. x 7-9/16" L. (899AXA)	
L-2	63AX 1725	END, Hose (Male)	1
	83AX 640	CLAMP, Spring Brake Delivery Tube	11
M		Attaching Parts:	
M-1		SCREW, machine rd. Phillips hd. 1/4-28 NF x 1(130AX 833)	11
M-2		NUT, hex. 1/4-28 NF (20AX 1)	11
M-3		WASHER, Lock, 1/4 I.D.(36AX 1)	11
N	63AX 1162	ELBOW ASSEMBLY, Spring Brake Front Rear Axle Tee	2
P	40QE 16AP2	TEE, Air Brake	1
		Attaching Parts:	
P-1		SCREW, cap, 3/8-24 NF x 1-1/2 (1"thd.)(1AX 13)	2
P-2		NUT, hex. 3/8-24 NF (20AX 3)	2
P-3		WASHER, Lock, 3/8 I.D.(36AX 3)	2
Q	63AX 889	ELBOW, Spring Brake to Quick Release Valve Hose (At Quick Release Valve)	2
Q	63AX 370	ELBOW, Spring Brake to Front Quick Release Valve Hose (At Air Brake Tee)	1
Q-1	63AX 580	BUSHING, Spring Brake to Front Quick Release Valve Hose Elbow	1
R	31QEA 25P3	HOSE ASSEMBLY, Spring Brake Quick Release Valve	2
S	63AX 580	BUSHING, Quick Release Valve Reducing	2
T	20QE 16P6	VALVE, Spring Brake Quick Release (For Components, see back of Grp.)	2
		Attaching Parts:	
T-1		SCREW, cap, 5/16-24 NF x 1 (7/8"thd.)(1AX 114)	4
T-2		NUT, hex. 5/16-24 NF (20AX 2)	4
T-3		WASHER, Lock, 5/16 I.D.(36AX 22)	4
U	63AX 1091	ELBOW ASSEMBLY, Spring Brake Quick Release Valve Tube	2
U	63AX 1162	ELBOW ASSY., Spring Brake Quick Release Valve	2
V	83AX 118	CLAMP, Spring Brake Delivery Tube	4
V-1	432AX 2	LOOM, SAE, Fire Resistant Type 3/8 I.D. x 1-1/2	4
W	63AX 1083	CONNECTOR ASSEMBLY, Brake Chamber Connector Tube	8
X	63AX 1091	ELBOW ASSEMBLY, Quick Release Valve to Sprint Brake Chamber Tube	4
Y	72RU 1245	BRACKET, Rear Rear Axle Spring Brake Hose Anchor	1
		Attaching Parts:	
Y-1		SCREW, cap, 1/2-20 NF x 1-3/4 (1-1/4"thd.)(1AX 108)	1
Y-2		NUT, hex. 1/2-20 NF (20AX 5)	1
Y-3		WASHER, Lock, 1/2 I.D.(36AX 5)	1
Z	63AX 1083	CONNECTOR ASSEMBLY, Spring Brake Delivery Tube to Rear Rear Axle Anchor Coupling	1
AA	59QE 117	COUPLING, Rear Rear Axle Spring Brake Hose Anchor	1

KEY	PART NUMBER	DESCRIPTION	NO. REQ.
<u>SECTION 299A - 3QEA 4228P1(Cont.)</u>			
AB	100AX 66FT50	TUBING, Copper 3/8 O.D.Manifold Fitting to Brake Control Valve (50' Bulk-25" Required)	1
AC	87AX 3	GROMMET, Brake Tubing (At Engine Compartment)	1
AD	100AX 66	TUBING, Copper 3/8 O.D.Brake Control Valve to Brake Line Tee (50' Bulk-291" Required)	1
AD-1		LOOM, SAE, Fire Resistant 7/16 I.D. x 24"L. Brake Tubing in Engine Compartment (677AXA)	1
AD-2		LOOM, SAE, Fire Resistant 7/16 I.D. x 30"L. Brake Tubing At Cab Front Support (677AXA)	1
AE	100AX 66	TUBING, Copper 3/8 O.D. Quick Release Valve to Spring Brake Chamber R.H.(50' Bulk-60" Required)	2
AF	100AX 66	TUBING, Copper 3/8 O.D.Quick Release Valve to Spring Brake Chamber L.H.(50' Bulk-60" Required)	2
AG	100AX 66	TUBING, Copper 3/8 O.D.Between Spring Brake Chambers(50' Bulk-16" Required)	4
AH	63AX 107	PLUG, Spring Brake Chambers	4
AJ	100AX 66	TUBING, Copper 3/8 O.D.Air Brake Tee to Rear Hose Anchor Coupling (50' Bulk-Length Included in Key Letter "AD")	4
AK	100AX 66	TUBING, Copper 3/8 O.D.Cab Front Support Coupling to Air Brake Tee (50' Bulk-Length Included in Key Letter "AD")	1
<u>SECTION 299B - 3QEA 3162</u> Same as 3QEA 4228P1(Section 299A)Except			
U	63AX 308	CONNECTOR, Spring Brake Quick Release Valve Tube	4
V	83AX 642	CLAMP, Spring Brake Delivery Tube	4
X	63AX 305	ELBOW, Spring Brake Chamber Tube	4
AE	36RUA 310P36	HOSE ASSEMBLY, Spring Brake Quick Release Valve to Spring Brake Chamber (R.H.) Use Units as follows: HOSE, medium high pressure 3/16 I.D. x 11/16 O.D. x 34-9/16"L. (899AXA)	2
AE-1		END, Hose (Female)	1
AE-2	63AX 1719	HOSE ASSEMBLY, Spring Brake Quick Release Valve to Spring Brake Chamber (L.H.) Use Units as follows: HOSE, medium high pressure 3/16 I.D. x 11/16 O.D. x 32-9/16"L. (899AXA)	2
AF	36RUA 310P34	END, Hose (Female)	2
AF-1			1
AF-2	63AX 1719		2
<u>SECTION 299C - 3QEA 4228P2</u> Same as 3QEA 4228P1(Section 299A)Except			
B	63AX 94	PLUG, sq. hd.	1
<u>SECTION 299D - 3QEA 4252P1</u> Same as 3QEA 4228P1(Section 299A)Except			
H	83AX 621	CLAMP, Spring Brake Valve Delivery Tube	2
J	83AX 621	CLAMP, Spring Brake Valve Delivery Tube	2
K	63AX 1421	CONNECTOR ASSEMBLY, Spring Brake Valve Delivery Tube (At Cab Front Support)	1
L	} Omit		
Thru L-2			
M	83AX 621	CLAMP, Spring Brake Valve Delivery Tube	11
N	63AX 1046	ELBOW, 45°, Air Brake Tee	2
Q	63AX 305	ELBOW, Air Brake Tee & Quick Release Valves	3
R	36RUA 3310P24	HOSE ASSEMBLY, Quick Release Valve Inlet Use Units as follows: HOSE, medium high pressure 11/32 I.D. x 21/32 O.D. x 22-17/32"L. (973AXA)	2
R-1		END, Hose	1
R-2	63AX 1719		2

Illustration #3-175-456.

KEY	PART NUMBER	DESCRIPTION	NO. REQ.
<u>SECTION 398A - 3QEA 5677</u>			
A	3MXA 362P3	PEDAL & BRACKET ASSEMBLY, Brake (For Components, see back of Group)	1
A-1		Attaching Parts:	
A-2		SCREW, cap, 5/16-24 NF x 1 (7/8"thd.)(1AX 114)	3
A-3		NUT, hex. 5/16-24 NF (2OAX 2)	3
B	20QE 350	WASHER, Lock, 5/16 I.D.(36AX 22)	3
B		VALVE, Brake (For Components, see back of Group)	1
C	63AX 20	BUSHING, Reducing, 1/2 NPT x 1/4 NPT, Brake Valve to Stop Light Switch Elbow	1
C-1	63AX 891	ELBOW, 45°, Stop Light Switch to Brake Valve Elbow	1
D	1MR 1171	SWITCH, Stop Light (For Components, see back of Group)	1
E	63AX 107	PLUG, Brake Valve	1
F	63AX 77	PLUG, Brake Valve	3
G	63AX 1091	ELBOW, Manifold Supply Tube (At Brake Valve)	1
H	36RUA 231P1	HOSE & LOOM ASSEMBLY, Dry Reservoir to Brake Valve Use Units as follows:	1
H-1		HOSE, medium high pressure 13/32 I.D. x 25/32 O.D. x 32"L. (90LAXA)	1
H-2	63AX 1721	END, Hose	2
H-3		LOOM, 1" I.D. x 23"L. (422AXA)	1
J	63AX 1742	CONNECTOR, Dry Reservoir to Brake Valve Hose (At Brake Valve)	1
K	36RUA 231P2	HOSE & LOOM ASSEMBLY, Brake Valve to Relay Valve Use Units as follows:	1
K-1		HOSE, medium high pressure 13/32 I.D. x 25/32 O.D. x 32"L. (900AXA)	1
K-2	63AX 1720	END, Hose	2
K-3		LOOM, 13/16 I.D. x 24"L. (675AXA)	1
L	63AX 1770	ELBOW, 90°, Brake Valve to Relay Valve Hose (At Brake Valve)	1
M	63AX 1741	CONNECTOR, Dry Reservoir to Brake Valve Hose (At Hose Support Bracket)	1
N	63AX 1740	CONNECTOR, Brake Valve to Relay Valve Hose (At Hose Support Bracket)	1
P	77QE 157	BRACKET, Hose Support	1
Q	63AX 1703	ELBOW ASSEMBLY, 45°, Brake Valve to Relay Valve Hose (At Hose Support Bracket)	1
R	63AX 1165	ELBOW ASSEMBLY, 45°, Brake Valve to Relay Valve Hose (At Hose Support Bracket)	1
S	63AX 3267	TEE ASSEMBLY, Relay Valve Tube to Front Quick Release Valve Tube	1
S-1	63AX 1865	ELBOW ASSEMBLY, Relay Valve Tee to Front Quick Release Valve Tube	1
T	63AX 889	ELBOW, 90°, Front Quick Release Valve to Front Brake Chamber Hose (At Brake Chamber)	2
U	31QEA 25P3	HOSE ASSEMBLY, Flexible Air Brake Front Brake Chamber	2
V	59QE 119	COUPLING, Air Brake Tubing Anchor, Front Air Brake Hose to Front Air Brake Tube (L.H.) Attaching Parts:	1
V-1	21AX 56	NUT (3/4-16 NF)	1
V-2	35AX 190	WASHER, Lock	1
W	59QE 117	COUPLING, Air Brake Tubing Anchor, Front Air Brake Hose to Front Air Brake Tube (R.H.)	1
X	63AX 1091	ELBOW ASSEMBLY, 90°, Tubing Coupling to Front Air Brake Tube	2
Y	20QE 16P6	VALVE, Quick Release (Front) (For Components, see back of Group)	1
Y-1		SCREW, cap, 5/16-24 NF x 1 (7/8"thd.)(1AX 114)	2
Y-2		NUT, hex. 5/16-24 NF (2OAX 2)	2
Y-3		WASHER, Lock, 5/16 I.D.(36AX 22)	2
Y-4	37AX 68	WASHER, Flat	2
Z	63AX 1162	ELBOW ASSEMBLY, 45°, Brake Valve to Front Quick Release Valve Tube (At Quick Release Valve)	1
AA	63AX 1092	ELBOW ASSEMBLY, 90°, Front Quick Release Valve to R.H. Front Brake Chamber Tube (At Quick Release Valve)	1

KEY	PART NUMBER	DESCRIPTION	NO. REQ.
SECTION 398A - 3QEA 5677(Cont.)			
AB	63AX 1091	ELBOW ASSEMBLY, 90°, Front Quick Release Valve to L.H.Front Brake Chamber Tube (At Quick Release Valve)	1
AC		LOOM, 7/16 I.D. x 24"L. Front Brake Chamber Tube (677AXA)	2
AC-1		LOOM, 7/16 I.D. x 24"L. Supply to Manifold (677AXA)	2
AD	---	GAUGE, Air (See Group 15F)	
AE	63AX 332	CONNECTOR, Air Gauge Supply Hose (At Air Gauge)	1
AF	36RUA 3117P36	HOSE ASSEMBLY, Air Gauge Supply Use Units as follows:	1
AF-1		HOSE, medium low pressure 3/16 I.D. x 7/16 O.D. x 33-3/4"L. (911AXA)	1
AF-2	63AX 3087	END, Hose	2
AG	63AX 329	CONNECTOR, Air Gauge Supply Hose to Air Gauge Supply Line Tee	1
AH	63AX 441	TEE, Air Gauge Supply Line (At Windshield Wiper Control Valve)	1
AJ	---	VALVE, Windshield Wiper Control (See Group 15F)	
AK	40QE 14	FITTING, Manifold Attaching Parts:	1
AK-1		SCREW, cap, 1/4-28 NF x 3/4 (Full thd.)(1AX 374)	2
AK-2		WASHER, Lock, 1/4 I.D.(36AX 1)	2
AL	1MR 1169A	SWITCH, Low Air Pressure Indicator	1
AM	63AX 889	ELBOW, 90°, Manifold Supply Tube (At Manifold Fitting)	1
AN	63AX 1083	CONNECTOR ASSEMBLY, Air Gauge Supply Tube (At Manifold Fitting)	1
AP	83AX 118	CLAMP, Manifold Supply Tube Attaching Parts:	2
AP-1		NUT, Std. hex. 1/4-20 NC (22AX 19)	2
AP-2	35AX 1183	WASHER, Lock	2
AQ	63AX 222	TEE, Compressor Discharge Line	1
AR	63AX 1418	ELBOW, Compressor Discharge Line Tee	1
AS	63AX 1703	ELBOW, Wet Reservoir Check Valve	1
AT	20QE 186A	VALVE, Wet Reservoir Check (For Components, see back of Group)	1
AT-1	63AX 125	BUSHING, Check Valve Reducer	1
AV	20QE 1129	VALVE, Wet Reservoir Safety (For Components, see back of Group)	1
AV-1	63AX 580	BUSHING, Safety Valve Elbow Reducer	1
AW	63AX 1698	ELBOW ASSEMBLY, Wet Reservoir Outlet Line	1
AX	63AX 1408	CONNECTOR ASSEMBLY, Wet Reservoir Outlet Line	1
AY	63AX 1457	CONNECTOR ASSEMBLY, Compressor Discharge Line Tee	1
AZ	63AX 1091	ELBOW ASSEMBLY, Pressure Regulator Valve Inlet & Outlet Line	2
BA	20QE 17P1	VALVE, Rear Reservoir Pressure Regulator Attaching Parts:	1
BB		SCREW, cap, 1/4-28 NF x 7/8 (3/4"thd.)(1AX 32)	2
BB-1		NUT, hex. 1/4-28 NF (20AX 1)	2
BB-2		WASHER, Lock, 1/4 I.D.(36AX 1)	2
BC	63AX 1092	ELBOW ASSEMBLY, Rear Wet Reservoir Inlet & Outlet Line	2
BC-1	63AX 1038	BUSHING, Rear Wet Reservoir Elbow	2
BD	63AX 212	PLUG, Wet & Dry Reservoir	3
BE	63AX 1458	ELBOW ASSEMBLY, Dry Reservoir Inlet Line	1
BE-1	63AX 125	REDUCER, Dry Reservoir Inlet Line Elbow	1
BF	63AX 450	ELBOW, Dry Reservoir Outlet Line	1
BG	20QE 186A	VALVE, Dry Reservoir Check (For Components, see back of Group)	1
BG-1	63AX 125	BUSHING, Check Valve Reducer	1
BH	63AX 1408	CONNECTOR ASSEMBLY, Dry Reservoir Outlet Line	3
BJ	63AX 222	TEE, Dry Reservoir Outlet Line	1
BK	40QE 16AP2	TEE, Brake Valve Air Line Attaching Parts:	1
BK-1		SCREW, cap, 3/8-24 NF x 1-1/4 (1"thd.)(1AX 24)	2
BK-2		NUT, hex. 3/8-24 NF (20AX 3)	2
BK-3		WASHER, Lock, 3/8 I.D.(36AX 3)	2
BL	63AX 1093	ELBOW ASSEMBLY, Brake Valve Line	1
BM	63AX 1396	CONNECTOR ASSEMBLY, Front to Rear Axle Air Brake Line (At Tee)	1

KEY	PART NUMBER	DESCRIPTION	NO. REQ.
<u>SECTION 398A - 3QEA 5677(Cont.)</u>			
BN	31QEA 25P4	HOSE ASSEMBLY,Rear Air Brake Flexible	2
BP	20QE 16P6	VALVE,Rear Air Brake Quick Release (For Components, see back of Group)	2
		Attaching Parts:	
BP-1		SCREW, cap, 5/16-24 NF x 1 (7/8"thd.)(1AX 114)	4
BP-2		NUT, hex. 5/16-24 NF (20AX 2)	4
BP-3		WASHER, Lock, 5/16 I.D.(36AX 22)	4
BQ	63AX 16	ELBOW,Quick Release Valve	2
BQ-1	63AX 580	BUSHING,Quick Release Valve Elbow Reducer	2
BR	63AX 1083	ELBOW,Quick Release Valve Outlet Line	4
BS	83AX 118	CLAMP,Rear Brake Chamber Supply Line	4
BS-1		LOOM, 3/8 I.D.x 2 (432AXA)	4
BT	63AX 1099	TEE ASSEMBLY,Rear Air Brake Chamber	4
BU	63AX 1083	CONNECTOR ASSEMBLY, Rear Air Brake Chamber	4
BU-1	63AX 107	PLUG,Rear Air Brake Chamber	8
BV	83AX 640	CLAMP, Air Brake Tubing	4
		Attaching Parts:	
BV-1		SCREW, cap, 1/4-28 NF x 5/8(Full thd.)(1AX 8)	4
BV-2		NUT, hex. 1/4-28 NF (20AX 1)	4
BV-3		WASHER, Lock, 1/4 I.D.(36AX 1)	4
BW	72RU 1245	BRACKET,Rear Air Brake Line	1
		Attaching Parts:	
BW-1		SCREW, cap, 1/4-20 NF x 1-1/4 (Full thd.)(1AX 42)	1
BW-2		NUT, hex. 1/2-20 NF (20AX 5)	1
BW-3		WASHER, Lock, 1/2 I.D.(36AX 5)	1
BX	59QE 117	COUPLING,Rear Air Brake Line	1
BY	63AX 1396	CONNECTOR ASSEMBLY,Rear Air Brake Line Coupling	1
BZ	27RU 370P5	PLATE, Blank Cover	2
		Attaching Parts:	
CA		SCREW, machine rd. Phillips hd. #10-24 NC x 7/16 (130AX 222)	4
CA-1		NUT, hex. #10-24 NC (53AX 1)	4
<u>BULK TUBING</u>			
	100AX 66FT50	TUBING, 3/8 O.D.	



Illustration #3-175-454.

KEY	PART NUMBER	DESCRIPTION	NO. REQ.
		<u>SECTION 402A - 3QEA 5697</u>	
A	63AX 369	NIPPLE, Nose Box	2
A-1	63AX 130	ELBOW, Nose Box Nipple	2
A-2	63AX 1384	CONNECTOR, Nose Box Line	2
A-3	63AX 122	PLUG, Nose Box	2
B	63AX 1097	UNION, Nose Box Line	2
C	20QEA 1125	VALVE & RESERVOIR COMPLETE, Air Brake (For Components, see back of Group)	1
D		Attaching Parts:	
D-1		SCREW, cap, 7/16-20 NF x 1 (Full thd.)(1AX 161)	4
D-2		NUT, hex. 7/16-20 NF (20AX 4)	4
E	24QE 2196	WASHER, Lock, 7/16 I.D.(36AX 4)	4
F		BRACKET, Reservoir Mounting	2
F-1		Attaching Parts:	
F-2		SCREW, cap, 7/16-20 NF x 1-1/2 (1-1/8"thd.)(1AX 103)	4
G	63AX 1083	NUT, hex. 7/16-20 NF (20AX 4)	4
H	63AX 1027	WASHER, Lock, 7/16 I.D.(36AX 4)	4
J	63AX 1101	CONNECTOR ASSEMBLY, Nose Box Supply Line	2
K	31QEA 25P4	BUSHING, Pipe Reducing, Air Brake Valve	1
L	31QEA 25P1	TEE, Air Brake Valve	1
M	40QE 133P1	HOSE ASSEMBLY, Flexible, Air Brake Chamber Supply Line	3
M-1		HOSE ASSEMBLY, Flexible Rear Air Brake Chamber Supply Line	1
M-2		TEE, Air Brake Chamber Supply Line	4
N	63AX 889	Attaching Parts:	
N-1	63AX 20	SCREW, cap, 5/16-24 NF x 1 (7/8"thd.)(1AX 114)	8
P	63AX 1083	WASHER, Lock, 5/16 I.D.(36AX 22)	8
Q	63AX 1083	ELBOW ASSEMBLY, Flexible Hose Assembly	5
R	63AX 1091	BUSHING, Flexible Hose Assembly Elbow Reducer	4
S	63AX 107	CONNECTOR ASSEMBLY, Rear Air Brake Chamber Supply Line	9
T	72RU 1245	CONNECTOR ASSEMBLY, Air Brake Chamber Crossover Line	8
U		ELBOW ASSEMBLY, Air Brake Chamber	4
V		PLUG, Brake Chamber	4
V-1		BRACKET, Hose Union Mounting	2
V-2		Attaching Parts:	
W	59QE 117	SCREW, cap, 1/2-20 NF x 1-3/4 (1-1/4"thd.)(1AX 108)	1
		SCREW, cap, 1/2-20 NF x 1-1/2 (1-1/4"thd.)(1AX 60)	1
		NUT, hex. 1/2-20 NF (20AX 5)	2
		WASHER, Lock, 1/2 I.D.(36AX 5)	2
		COUPLING, Flexible Air Brake Hose	2
		<u>BULK TUBING</u>	
	100AX 66FT50	TUBING, 3/8 O.D.	1

11/5/64  
ejm-mes

Illustration #30-175-128.

KEY	PART NUMBER	DESCRIPTION	NO. REQ.
<u>SECTION 99A - 30QEA 3171P1</u>			
A	20QEA 351AP2	VALVE, Hand Control (For Components, see back of Group)	1
B	63AX 1083	CONNECTOR ASSEMBLY, Hand Control Valve	3
C	100AX 66FT50	TUBING, Copper, 3/8 O.D. Hand Control Valve to Manifold Supply (50' Bulk Item 27" Required)	1
D	63AX 1083	CONNECTOR ASSEMBLY, Manifold Supply	1
E		LOOM, SAE, Fire Resistant type 7/16 I.D. x 24"L. (677AXA)	1
F	83AX 640	CLAMP, Hand Control Valve Line Attaching Parts:	1
G		SCREW, machine rd. Phillips hd. 1/4-28 NF x 1(130AX 833)	1
H		NUT, hex. 1/4-28 NF (20AX 1)	1
J		WASHER, Lock, 1/4 I.D.(36AX 1)	1
K	100AX 66FT50	TUBING, Copper 3/8 O.D. Hand Control Valve (Exhaust)(50' Bulk Item 74" Required)	1
L		LOOM, SAE, Fire Resistant type 7/16 I.D. x 24"L. (677AXA)	1
M	100AX 66FT50	TUBING, Copper 3/8 O.D. Hand Control Valve Delivery (50' Bulk Item 82" Required)	1
N		LOOM, SAE, Fire Resistant type 7/16 I.D. x 24"L. (677AXA)	1
P	83AX 640	CLAMP, Hand Control Valve Delivery Line Attaching Parts:	1
Q		SCREW, machine rd. Phillips hd. 1/4-28 NF x 1(130AX 833)	1
R		NUT, hex. 1/4-28 NF (20AX 1)	1
S		WASHER, Lock, 1/4 I.D.(36AX 1)	1
T	63AX 1091	ELBOW ASSEMBLY, Check Valve	1
U	20QE 262P1	SWITCH, Combination Check Valve & Stop Light (For Components, see back of Group)	1
V	63AX 1085	CONNECTOR ASSEMBLY, Trailer Service Line	1
W	63AX 565	ELBOW, Treadle Valve to Check Valve	1
X	---	TREADLE, Valve (See Group 10K)	
<u>SECTION 99B - 30QEA 173</u>			
Same as 30QEA 3171P1(Section 99A)Except			
A	20QE 318A	VALVE, Hand Control (For Components, see back of Group)	1
A-3	35AX 546	WASHER, Spacer	2
<u>SECTION 99C - 30QEA 179</u>			
Same as 30QEA 3171P1(Section 99A)Except			
A	20QEA 364	VALVE, Hand Control (For Components, see back of Group)	1
A-1		Attaching Parts:	
A-2		SCREW, cap, 3/8-24 NF x 1-3/4 (1"thd.)(1AX 38)	2
A-3		NUT, hex. 3/8-24 NF (20AX 3)	2
A-4	37AX 472	WASHER, Lock, 3/8 I.D.(36AX 3)	2
		WASHER, Flat	2
<u>SECTION 99D - 30QEA 3171P2</u>			
Same as 30QEA 3171P1(Section 99A)Except			
A	20QEA 351AP3	VALVE, Hand Control (For Components, see back of Group)	1
A-3	35AX 546	Attaching Parts: WASHER, Spacer	2

KEY	PART NUMBER	DESCRIPTION	NO. REQ.
<u>SECTION 99E - 30QEA 3186P1</u> MB Models w/Semi Trailer Connection Same as 30QEA 3171P1 (Section 99A) Except			
E Thru J K	Omit 100AX 66FT50	TUBING, Copper 3/8 O.D. Hand Control Valve Exhaust (50' Bulk Item -30" Required)	1
L M	Omit 100AX 66FT50	TUBING, Copper 3/8 O.D. Hand Control Valve Delivery (50' Bulk Item - 44" Required)	1
N P Q Thru S V W	Omit 83AX 453 Omit 63AX 1093 63AX 3051	CLAMP, Hand Control Valve Tube  ELBOW ASSEMBLY, Trailer Service Line TEE, Treadle Valve to Check Valve	1 1 1
<u>SECTION 99F - 30QEA 3186P2</u> MB Model w/Full Trailer Connection Same as 30QEA 3171P1 (Section 99A) Except			
E Thru J K	Omit 100AX 66FT50	TUBING, Copper 3/8 O.D. Hand Control Valve Exhaust (50' Bulk Item-30" Required)	1
L M	Omit 100AX 66FT50	TUBING, Copper 3/8 O.D. Hand Control Valve Delivery (50' Bulk Item-44" Required)	1
N P Q Thru S V W	Omit 83AX 453 Omit 63AX 163 Omit	CLAMP, Hand Control Valve Tube  CONNECTOR, Trailer Service Line	1 1 1
<u>SECTION 99G - 30QEA 3186P3</u> MB Models w/Rear Service Brake Control Same as 30QEA 3171P1 (Section 99A) Except			
E Thru J K	Omit 100AX 66FT50	TUBING, Copper 3/8 O.D. Hand Control Valve Exhaust (50' Bulk Item-30" Required)	1
L M	Omit 100AX 66FT50	TUBING, Copper 3/8 O.D. Hand Control Valve Delivery (50' Bulk Item-44" Required)	1
N P Q Thru S V W	Omit 83AX 453 Omit 63AX 163	CLAMP, Hand Control Valve Tube  CONNECTOR, Rear Service Brake Line ELBOW, Street, 90° iron 1/2 NPT, Treadle Valve to Check (63AX 737)	1 1 1 1

Illustration #30-175-137.

KEY	PART NUMBER	DESCRIPTION	NO. REQ.
<u>SECTION 128A - 30QEA 252</u>			
A	---	MANIFOLD, Air (See Group 15P)	-
B	63AX 1082	CONNECTOR ASSEMBLY, Supply Line (At Manifold)	1
C	100AX 64FT50	TUBING, 1/4 O.D. Copper Supply to Tractor Protection Control Valve	AR
D	63AX 1090	CONNECTOR ASSEMBLY, Supply Line At Control Valve	1
E	20QE 251A	VALVE, Tractor Protection Control (For Components, see back of Group)	1
E-1	27RU 370P2	PLATE, Control Valve Name	1
F	63AX 1090	ELBOW ASSEMBLY, Control Valve to Protection Valve Line	1
G	100AX 64FT50	TUBING, 1/4 O.D. Copper, Control Valve to Flex. Hose Line	AR
H	63AX 1438	CONNECTOR ASSEMBLY, Tubing to Flexible Hose	1
J	36RUA 320P24	HOSE ASSEMBLY, Tractor Protection Control Valve to Tractor Protection Valve Use Units as follows: HOSE, medium high 3/16 I.D. x 1/2 O.D. x 22-3/4"L. (897AXA)	1
J-1		END, Hose (Male)	2
J-2	63AX 1723	CONNECTOR ASSEMBLY, Tubing to Flexible Hose	1
K	63AX 1438	TUBING, 1/4 O.D. Copper, Control Valve to Tractor Protection Valve	AR
L	100AX 64FT50	CLAMP, 3/8 O.D. Tubing	3
M	83AX 640	CLAMP, 1/2 O.D. Tubing	3
M-1	83AX 641	CLAMP, 1/4 O.D. Tubing	3
M-2	83AX 639	Attaching Parts: SCREW, rd. Phillips hd. 1/4-28 NF x 1 (130AX 833)	3
M-3		NUT, hex. 1/4-28 NF (20AX 1)	3
M-4		WASHER, Lock, 1/4 I.D. (36AX 1)	3
M-5		CONNECTOR ASSEMBLY, Control Valve Line At Protection Valve	1
N	63AX 1082	VALVE, Tractor Protection (For Components, see back of Group)	1
AP	20QE 335	Attaching Parts: SCREW, cap, 5/16-24 NF x 3-3/4 (7/8" thd.) (1AX 457)	2
AP-1		NUT, hex. 5/16-24 NF (20AX 2)	2
AP-2		WASHER, Lock, 5/16 I.D. (36AX 2)	2
AP-3		WASHER, Flat	2
AP-4	37AX 68	ELBOW, Service Line At Brake Treadle Valve	1
AQ	63AX 1770	HOSE ASSEMBLY, Treadle Valve to Tractor Protection Valve Tube Use Units as follows: HOSE, medium high pressure 13/32 I.D. x 25/32 O.D. x 26-3/8"L. (900AXA)	1
AR	36RUA 317P28	END, Hose (Female)	1
AR-1		END, Hose (Male)	1
AR-2	63AX 1720	CONNECTOR ASSEMBLY, Flexible Service Line to Tubing	1
AR-3	63AX 1726	TUBING, 1/2 O.D. Copper, Trailer Brake Service Line	AR
AS	63AX 3129	CONNECTOR ASSEMBLY, Service Line At Protection Valve	1
AT	100AX 68FT50	CONNECTOR ASSEMBLY, Emergency Line (At Protection Valve)	1
AU	63AX 1085	SWITCH, Low Pressure Indicator	1
AV	63AX 1084	TUBING, 3/8 O.D. Copper Trailer Brake Emergency Line	AR
AW	1MR 1169A	CLAMP, Trail Brake Emergency Line (On Crossmember)	2
AX	100AX 66FT50	Attaching Parts: SCREW, cap, 1/4-28 NF x 7/8 (3/4" thd.) (1AX 32)	2
AX-1	83AX 640	NUT, hex. 1/4-28 NF (20AX 1)	2
AX-2		WASHER, Lock, 1/4 I.D. (36AX 1)	2
AX-3		CLAMP, Trailer Brake Emergency Line (Siderail)	AR
AX-4	83AX 640	Attaching Parts: SCREW, machine rd. Phillips hd. 1/4-28 NF x 1 (130AX 833)	AR
AX-5		NUT, hex. 1/4-28 NF (20AX 1)	AR
AX-6		WASHER, Lock, 1/4 I.D. (36AX 1)	AR
AX-7		TEE ASSEMBLY, Dry Air Reservoir to Treadle Valve to Trailer Emergency Tube	1
AX-8	63AX 1460	CONNECTOR ASSEMBLY, Protection Valve to Service Line	1
AY		TUBING, Copper 1/2 O.D. Trailer Brake Service Line	AR
AZ	63AX 1085		
AA	100AX 68FT50		

KEY	PART NUMBER	DESCRIPTION	NO. REQ.
<u>SECTION 128A - 30QEA 252 (Cont.)</u>			
AA-1	83AX 641	CLAMP, Trailer Brake Service Line (Siderail)	AR
AA-2		Attaching Parts:	
AA-3		SCREW, machine rd. Phillips hd. 1/4-28 NF x 1(130AX 833)	AR
AA-4		NUT, hex. 1/4-28 NF (20AX 1)	AR
AB	63AX 1086	WASHER, Lock, 1/4 I.D.(36AX 1)	AR
AC	63AX 262	CONNECTOR ASSEMBLY,Trailer Brake Service Line Anchor	1
AD	27RU 1530	ELBOW,Service Line	1
AE	44QE 144	PLATE,Service Line Name	1
AF		CONNECTOR ASSEMBLY,Service Line	1
Thru } AF-4 }	Not Used		
AG	73RU 21711	BRACKET, Hose Connector Anchor	1
AG-1	48RU 1568	CLAMP,Trailer Hose Connector Anchor Bracket	2
		Attaching Parts:	
AG-2		SCREW, cap, 5/8-18 NF x 2-1/2 (1-1/2"thd.)(1AX 270)	2
AG-3		NUT, hex. 5/8-18 NF (20AX 7)	2
AG-4		WASHER, Lock, 5/8 I.D.(36AX 7)	2
AH	63AX 1084	CONNECTOR ASSEMBLY,Emergency Line At Protection Valve	1
AJ	63AX 1091	ELBOW ASSEMBLY,Trailer Brake Emergency Line Anchor	1
AK	27RU 1531	PLATE,Trailer Emergency Name	1
AL	40QE 144	CONNECTOR ASSEMBLY,At Bracket	1
AM } Thru } AM-4 }	Not Used		
<u>BULK TUBING</u>			
	100AX 64FT50	TUBING, 1/4 O.D.Copper x 50'L.	
	100AX 66FT50	TUBING, 3/8 O.D.Copper x 50'L.	
	100AX 68FT50	TUBING, 1/2 O.D.Copper x 50'L.	

**MACK TRUCK-TRACTOR PARTS BOOK**  
**TITLE AIR RESERVOIR MOUNTING ARRANGEMENT**

GROUP 100 SECTION 141

Illustration #22-175-47.

KEY	PART NUMBER	DESCRIPTION	NO. REQ.
<u>SECTION 141A - 22QEA 3274</u>			
A	22QE 210P12	RESERVOIR, Air (8 x 26)	1
B Thru F	Not Used		
G	24QE 118P4	BRACKET, Air Reservoir	4
H		Attaching Parts:	
J		SCREW, cap, 1/2-20 NF x 1-1/4 (Full thd.)(1AX 42)	4
K		NUT, hex. 1/2-20 NF (20AX 5)	4
L	91AX 10	WASHER, Lock, 1/2 I.D.(36AX 5)	4
M		ROD, Air Reservoir Bracket Clamping	2
N		Attaching Parts:	
P	22QE 31P2	NUT, hex. 3/8-24 NF (20AX 3)	4
Q	24QE 281 P2	WASHER, Lock, 3/8 I.D.(36AX 3)	4
R		RESERVOIR, Air (9-1/2 x 27)	1
S		BRACKET, Air Reservoir Support	2
T		Attaching Parts;	
U	24QE 1114	SCREW, cap, 1/2-20 NF x 1-1/4 (Full thd.)(1AX 42)	4
V	24QE 285	NUT, hex. 1/2-20 NF (20AX 5)	6
W		WASHER, Lock, 1/2 I.D.(36AX 5)	6
X		BRACKET, Air Reservoir	2
Y		BRACKET, Air Reservoir	2
Z		Attaching Parts:	
AA		SCREW, cap, 1/2-20 NF x 1-1/4 (Full thd.)(1AX 42)	4
AB		NUT, hex. 1/2-20 NF (20AX 5)	4
AC	22QE 210P12	WASHER, Lock, 1/2 I.D. (36AX 5)	4
AD	24QE 118P4	SCREW, cap, 3/8-24 NF x 2-1/2 (1"thd.) Air Reservoir Bracket Clamping (1AX 409)	2
AE		Attaching Parts:	
AF		NUT, hex. 3/8-24 NF (20AX 3)	2
AG		WASHER, Lock, 3/8 I.D.(36AX 3)	2
AH		RESERVOIR, Air (Rear)(8AX 26)	1
AJ	37AX 474	BRACKET Air Tank	4
AK	24QE 2143	Attaching Parts:	
AL	24QE 2144	SCREW, cap, 1/2-20 NF x 1-1/2 (1-1/4"thd.)(1AX 60)	2
AM		SCREW, cap, 1/2-20 NF x 1-1/4 (Full thd.)(1AX 42)	2
AN		NUT, hex. 1/2-20 NF (20AX 5)	4
AP		WASHER, Lock, 1/2 I.D.(36AX 5)	4
AQ	24QE 1164	WASHER, Flat (.531 I.D. x 1.062 O.D.)	2
AR		BRACKET, Air Reservoir Mounting L.H.	1
AS		BRACKET, Air Reservoir Mounting R.H.	1
AT		Attaching Parts:	
AU	91AX 10	SCREW, cap, 1/2-20 NF x 1-1/4 (Full thd.)(1AX 42)	2
AV		NUT, hex. 1/2-20 NF (20AX 5)	2
AW		WASHER, Lock, 1/2 I.D.(36AX 5)	2
AW-1	61AX 110	BRACE Air Reservoir Support	2
		Attaching Parts:	
		SCREW, cap, 1/2-20 NF x 1-1/2 (1-1/4"thd.)(1AX 60)	2
		NUT, hex. 1/2-20 NF (20AX 5)	2
		WASHER, Lock, 1/2 I.D.(36AX 5)	2
		ROD, Air Tank Bracket Clamping	2
		Attaching Parts:	
		NUT, hex. 3/8-24 NF (20AX 3)	4
		WASHER, Lock, 3/8 I.D.(36AX 3)	4
		COCK, Air Reservoir Drain	3



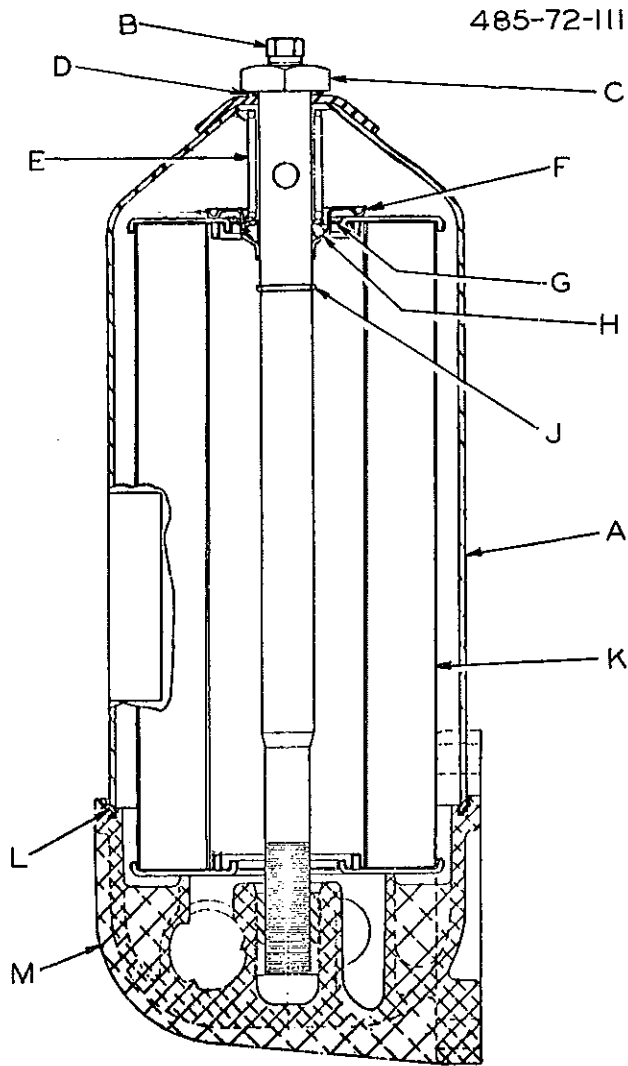
TITLE AIR CHECK UNIT MOUNTING ARRANGEMENT

LINE NO.	PART NUMBER	DESCRIPTION	NO. REQ.
		<u>SECTION 6A - 20QEA 374</u>	
1	20QEA 293	UNIT ASSEMBLY, Air Check	1
		Consists of:	
2	20QE 292	UNIT, Check	1
3	69RU 159	PLUG, Dust (With Chain)	1
		Attaching Parts:	
4		SCREW, machine oval Phillips hd. #6-32 NC x 5/8(130AX 317)	4
5		NUT, hex. stl. #6-32 NC (53AX 25)	4
6		WASHER, Lock, #6 I.D.(36AX 20)	4
7	61AX 21	VALVE, Air Check Shut Off	1
8	63AX 1083	CONNECTOR ASSEMBLY, Air Check Supply	2
9	63AX 1099	TEE, Air Check Supply	1
10	31QEA 225P2	HOSE ASSEMBLY, Air	1
		Includes:	
11	20QE 1151	CHUCK, Air Hose	1
12	90RU 1181	ADAPTER, Air Hose	1
		<u>BULK TUBING</u>	
	100AX 64FT50	TUBING, Copper 1/4 O.D.	

COMPONENT PARTS

485GBA 3158

OIL FILTER



KEY	PART NUMBER	DESCRIPTION	NO. REQ.
A	6 5575220	SHELL ASSEMBLY	1
B	6 444613	PLUG, Drain	1
C	6 5575221	STUD, Center	1
D	6 5574350	GASKET, Center Stud	1
E	6 5575091	SPRING, Retainer	1
F	6 5574351	RETAINER, Element	1
G	6 5574348	WASHER	1
H	6 5573960	GASKET	1
J	6 5574357	RING, Retaining	1
K	6 5573014	ELEMENT, Filter	1
L	6 5573711	Includes: GASKET, Base	1
M	6 5575084	BASE ASSEMBLY	1
-	6 5575088	VALVE, Relief	1
-	6 5575087	SPRING, Valve	1
-	6 5575085	PLUG, Valve	1
-	6 5575086	GASKET, Plug	1

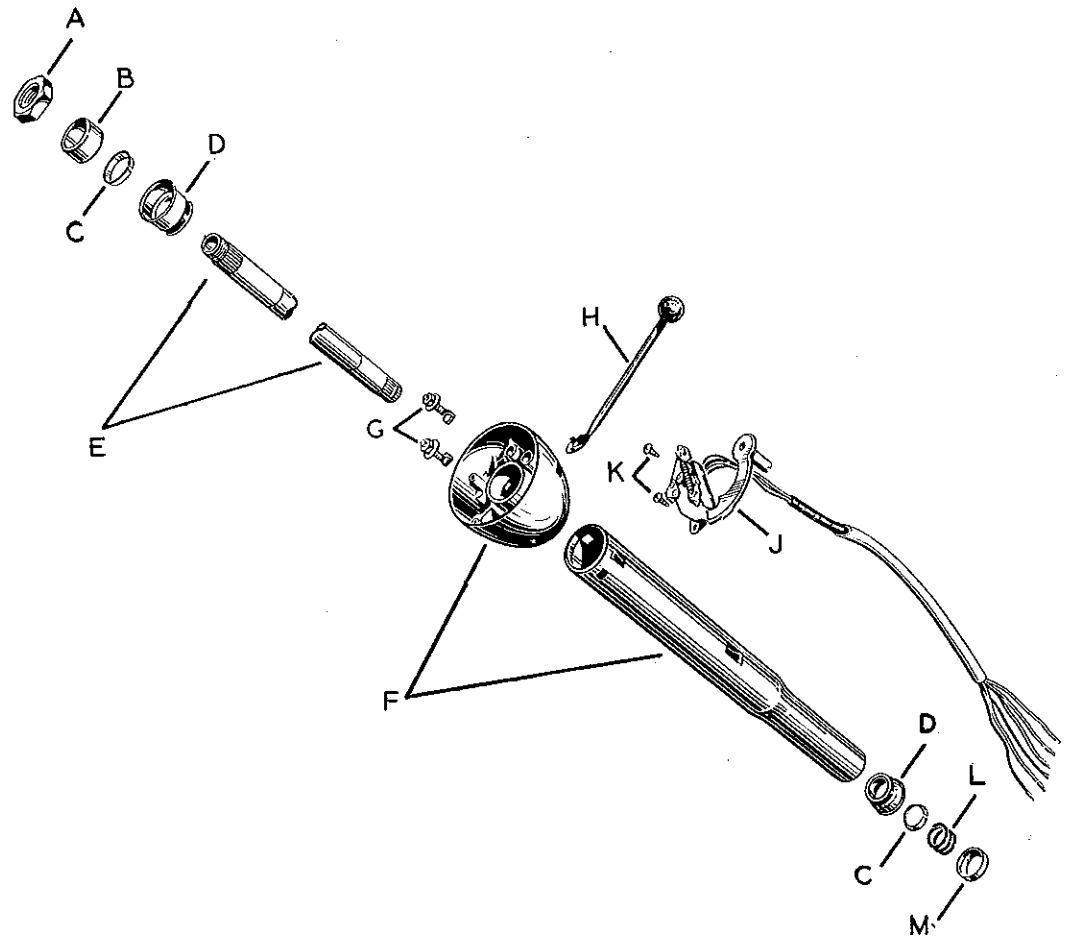


COMPONENT PARTS

13KFA 48  
13KFA 49 & 49A  
UPPER COLUMN ASSEMBLY

13-116-4

THIS REPLACES ALL COPIES DATED PRIOR TO SEPTEMBER 13, 1963.



KEY	PART NUMBER	DESCRIPTION	NO. REQ.
A	6990 026113	NUT, Wheel	1
B	6990 477113	SPACER	1
C	6990 028104	SEAT, Spring	2
D	6990 065985	BEARING ASSEMBLY, Jacket Tube	1
E	6990 091356	SHAFT, Wheel	1
F	6990 456064-A17	TUBE ASSEMBLY, Jacket (For 13KFA 48 Only)	1
F	6990 456053-A46	TUBE ASSEMBLY, Jacket (For 13KFA 49 Only)	1
F	6990 456053-A51	TUBE ASSEMBLY, Jacket (For 13KFA 49A Only)	1
-	6990 065987	Each Includes: BEARING ASSEMBLY	1
G	6990 021193	BOLT, Clamp	2
-	6990 025082	NUT, Lock	2
-	6900 G106261	WASHER, Plain	2
-	6990 477180	RING, Reinforcing	1
-	6990 402265	HOUSING, Pilot Light (For 13KFA 48 Only)	1
-	6990 G163023	SCREW, #4-24 x 1/4 pan hd.(For 13KFA 48 Only)	2
H	Not Used		
J	6990 480889	SWITCH ASSEMBLY, Directional Signal (For 13KFA 48 Only)	1
K	6990 G274883	Attaching Parts: SCREW, #10-16 x 5/16 Pan hd. (For 13KFA 48 Only)	2
-	6990 G159229	SCREW, #6-32 x 1/4 Pan. hd. Cr.Rec.(For 13KFA 48 Only)	1
-	6990 032319	BRUSH ASSEMBLY, Contact (For 13KFA 48 Only)	1
L	6990 401254	SPRING	1

COMPONENT PARTS

13KFA 48

13KFA 49 & 49A

UPPER COLUMN ASSEMBLY (Cont.)

KEY	PART NUMBER	DESCRIPTION	NO. REQ.
M	6990 029085	CAP, Dust	1
-	6990 051043	COVER, Turn Signal Pilot Light (For 13KFA 48 Only)	1
-	6990 032318	SOCKET ASSEMBLY, Pilot Light (For 13KFA 48 Only)	1
-	6990 G131282	BULB, Pilot Light (For 13KFA 48 Only)	1
-	6990 032320	BODY, Connector (For 13KFA 48 Only)	1
-	6990 032245	ROLLER ASSEMBLY, Contact (For 13KFA 48 Only)	1
-	43MR 21P4	COUPLING (For 13KFA 48 Only)	1

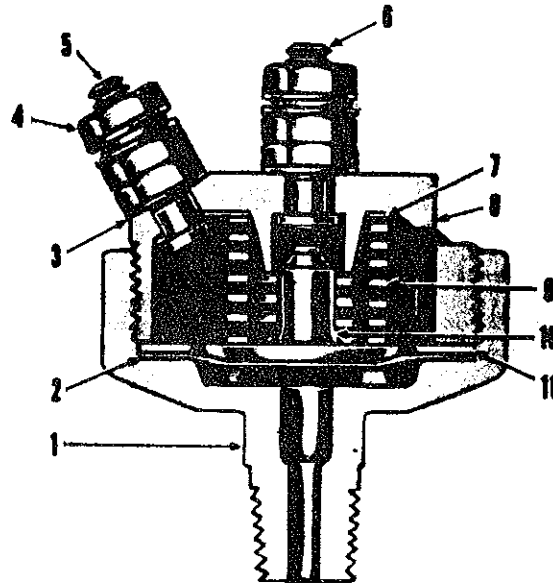
THIS REPLACES ALL COPIES DATED PRIOR TO SEPTEMBER 13, 1963.

THIS REPLACES ALL COPIES DATED PRIOR TO JULY 22, 1959  
**BACK CHASSIS NUMBER** must always be given with **PART NUMBER** when ordering.

**COMPONENT PARTS**

IMR 1171  
STOP LIGHT SWITCH

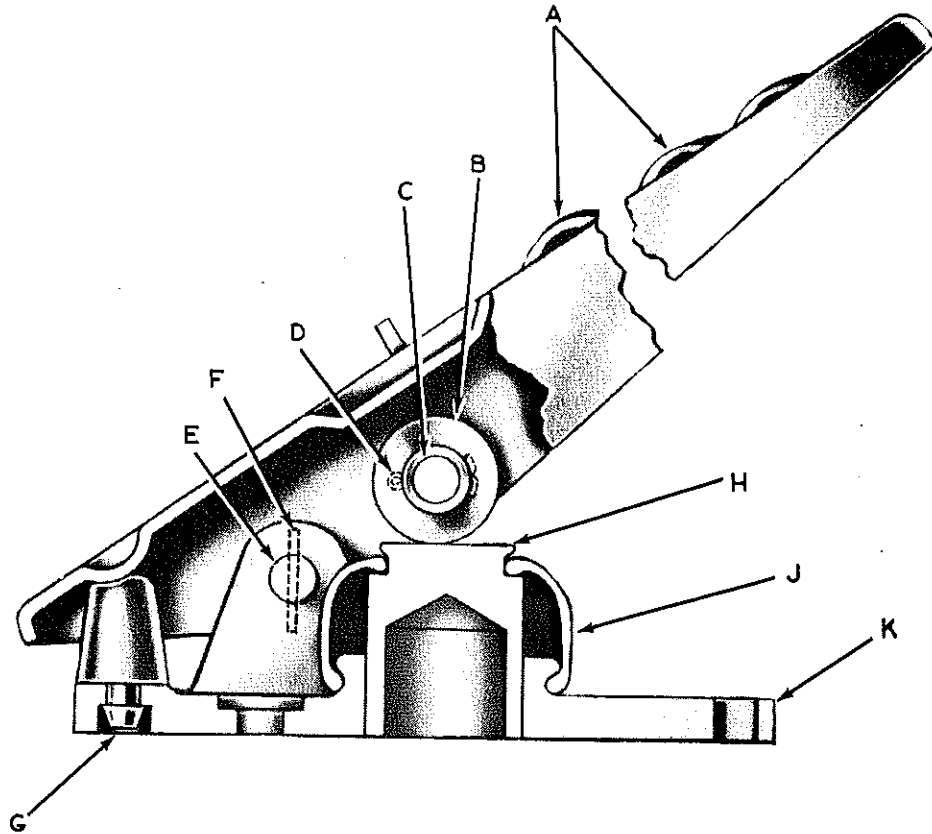
I-1318-21



REF. NO.	PART NUMBER	DESCRIPTION	NO. REQ'D.
1	745 236376	BODY	1
2	745 236390	DIAPHRAGM	1
3	745 203058	WASHER	6
4	745 203059	NUT	6
5	745 203623	SCREW, Terminal	1
6	745 215959	SCREW, Terminal	1
7	745 233280	CONNECTOR, Terminal	1
8	745 236378	COVER	1
9	745 232687	SPRING	1
10	745 223221	PLUNGER, Contact	1
11	745 236377	WASHER	1

3MXA 362P1, P2 & P3  
BRAKE PEDAL & BRACKET ASSEMBLY

3-1324-5



KEY	PART NUMBER	DESCRIPTION	NO. REQ. 'D.
A	745 275566	TREADLE ASSEMBLY, (For P1 & P3)	1
A	745 226834	TREADLE ASSEMBLY (For P2)	1
		Includes:	
B	745 239124	ROLLER (For P1 & P3)	1
B	745 236288	ROLLER (For P2)	1
C	745 238474	PIN, Roller	1
D	745 210492	PIN, Cotter	1
E	745 238888	PIN, Fulcrum	1
		Attaching Parts:	
F	745 235212	PIN, Roll	1
G	745 240137	BUTTON, Stop (For P1)	1
G	745 236980	BUTTON, Stop (For P2 & P3)	1
H	745 236981	PLUNGER, (For P1 & P2)	1
H	745 241501	PLUNGER, (For P3)	1
J	745 236982	BOOT	1
K	745 236979	PLATE, Mounting (For P1 & P2)	1
K	745 241500	PLATE, Mounting (For P3)	1

THIS REPLACES ALL COPIES DATED PRIOR TO AUGUST 27, 1965.

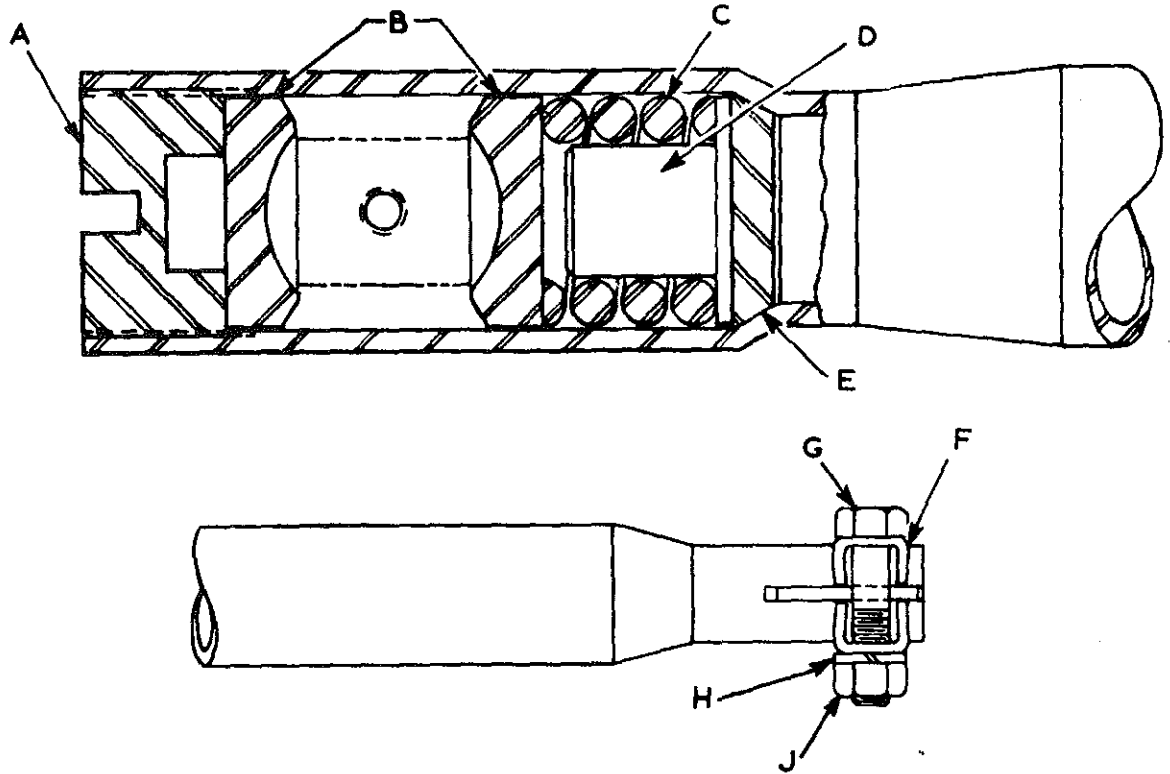
**MACK CHASSIS NUMBER** must always be given with **PART NUMBER** when ordering.

**COMPONENT PARTS**

13QC 3154P1, P2 & AP1, AP3

DRAG LINK

13-173-11



KEY	PART NUMBER	DESCRIPTION	NO. REQ.
A	301SL 27	PLUG, (Threaded)	1
B	21SL 34	BEARING	2
C	362SL 18A	SPRING	1
D	361SL 32	SEAT	1
E	Not Used		
F	48RUA 1599	CLAMP ASSEMBLY	1
G	LAX 405	Includes: BOLT	1
H		WASHER, lock, 5/8 I.D.	1
J		NUT, hex. 5/8-18 NF	1

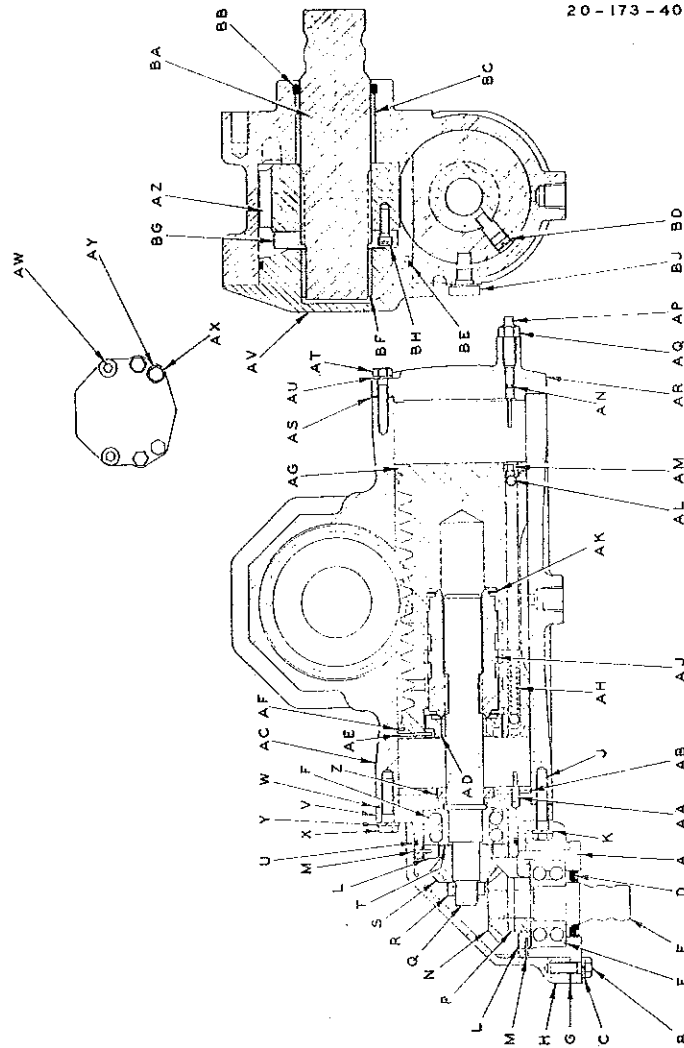
NOTE: Tube is not serviced separately.  
Serviceable parts are listed above.

MACK CHASSIS NUMBER must always be given with PART NUMBER when ordering.

### COMPONENT PARTS

20QC 4175

POWER STEERING GEAR



MACK CHASSIS NUMBER must always be given with PART NUMBER when ordering.

COMPONENT PARTS

20QC 4175  
POWER STEERING GEAR

KEY	PART NUMBER	DESCRIPTION	NO. REQ.
A	41SL 85	COVER, Gear Box	1
B	361SZ 504	Attaching Parts: SCREW, Cap	4
C		WASHER, Lock, 5/16- I.D. (36AX 2)	4
D	364SZ 174	SEAL, Oil	1
E	376SL 25	SHAFT, Actuating (Short)	1
F	21SL 82	BEARING, Ball	2
G	364SL 44P1	SHIM, Gear Box (.010)	AR
G	364SL 44P2	SHIM, Gear Box (.012)	AR
G	364SL 44P3	SHIM, Gear Box (.015)	AR
H	141SL 164	HOUSING, Gear Box	1
J	361SZ 505	Attaching Parts: SCREW, Cap	5
K		WASHER, Lock 5/16 I.D. (36AX 2)	5
L	261SL 25	NUT, Lock, Bearing Retainer	2
M	302SZ 173	Attaching Parts: PIN	2
N	124SL 21	GEAR, Miter	1
P	302SZ 174	Attaching Parts: PIN	1
Q	376SL 26	SHAFT, Adjuster (Includes Key Letters F & R)	1
R	261SL 26	NUT, Shaft Retaining	1
S	124SL 22	GEAR, Actuating Shaft Miter	1
T	364SL 45	SHIM, Actuating Shaft Miter Gear (.002)	2
U	341SL 34	"O" RING, Bearing Cap	1
V	47SL 16	CAP, Bearing	1
W	121SL 39	Attaching Parts: GASKET	1
X	361SZ 506	SCREW, Cap	5
Y		WASHER, Lock 5/16 I.D. (36AX 2)	5
Z	364SZ 175	SEAL, Oil	1
AA	305SL 13	PLUNGER, Fixed	1
AB	302SZ 175	Attaching Parts: PIN	1
AC	141SL 165	HOUSING ASSEMBLY, (Includes Key Letter BB & BC)	1
AD	261SL 27	NUT, Valve Adjusting	1
AE	302SZ 176	Attaching Parts: PIN	1
AF	341SL 35	RING, Piston	2
AG	307SL 12	PISTON	1
AH	366SL 28	SPRING, Relief Valve Ball	1
AJ	422SL 12	VALVE, Actuating	1
AK	366SL 29	SPRING, Reversing	2
AL	23SZ 26	BALL, Relief Valve	2
AM	361SL 35	SEAT, Valve	2

MACK CHASSIS NUMBER must always be given with PART NUMBER when ordering.

COMPONENT PARTS

20QC 4175

POWER STEERING GEAR (Cont.)

KEY	PART NUMBER	DESCRIPTION	NO. REQ.
AN	341SL 36	"O" RING, Adjustable Plunger	1
AP	305SL 14	PLUNGER, Adjustable	1
AQ		Attaching Parts:	1
AR	41SL 86	NUT, Lock 3/8"-24 NF (20AX 3)	1
AS	121SL 39	HEAD, Cylinder	1
AT	361SZ 506	Attaching Parts:	1
AU	441SZ 447	GASKET	10
AV	41SL 87	SCREW, Cap	10
AW	361SZ 508	WASHER, Lock	1
AX	361SZ 507	COVER, Housing (Includes Key Letters BE & BF)	1
AY		Attaching Parts:	2
AZ	124SL 23	SCREW, Cap, Socket Hd.	4
BA	376SL 27	SCREW, Cap	4
BB	341SL 37	WASHER, Lock 1/2 I.D. (36AX 5)	1
BC	21SL 83	GEAR, Output Shaft	1
BD	302SL 16	SHAFT, Output	1
BE	341SL 38	RING, Quad	1
BF	21SL 84	BUSHING, Output Shaft (Large)	1
BG	261SL 28	PIN, Valve Positioning	1
BH	361SZ 509	"O" RING, Housing Cover	1
BJ	304SZ 131	BUSHING, Housing Cover	1
		NUT, Gear Retaining	1
		Attaching Parts:	2
		SCREW, Cap	2
		PLUG, Housing (Used in place of Piston Pin & Roller Assembly)	1



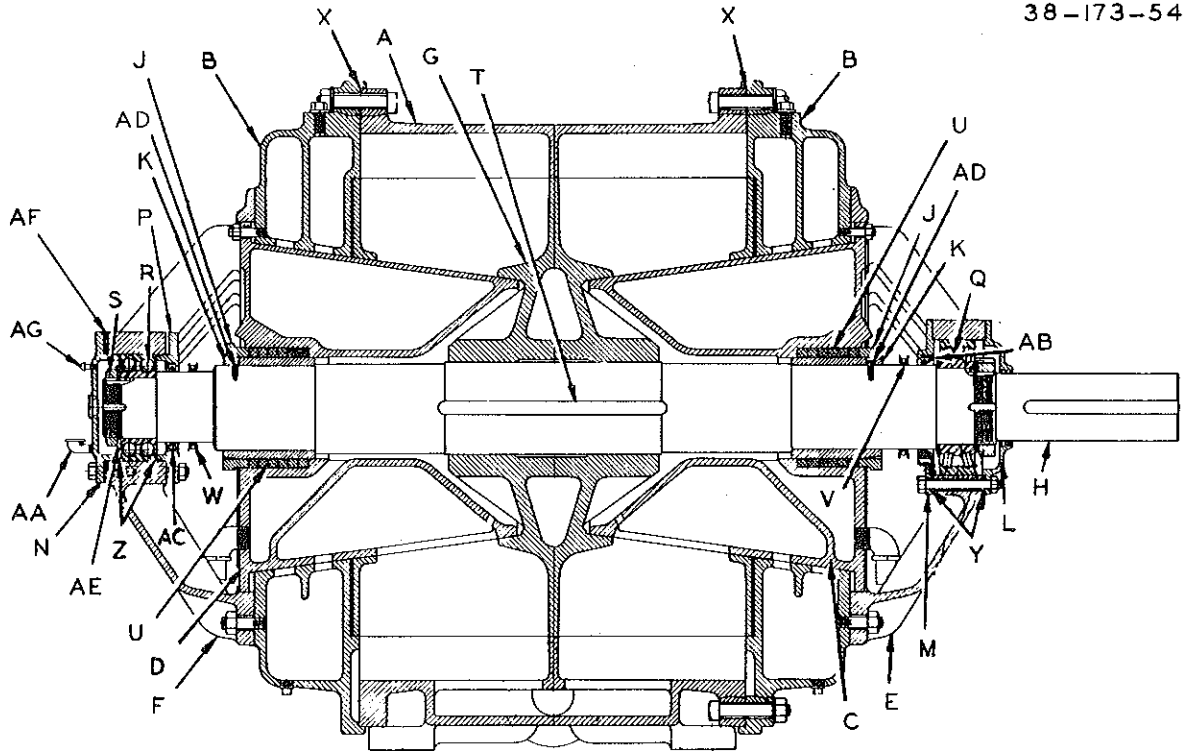
MACK CHASSIS NUMBER must always be given with PART NUMBER when ordering.

**COMPONENT PARTS**

38QC 223

VACUUM PRIMING PUMP

38-173-54



IK

KEY	PART NUMBER	DESCRIPTION	NO. REQ.
A	6026 101	BODY	1
B	6026 102	HEAD	2
C	6026 104	CONE, Drive End	1
D	6026 105	CONE, Idle End	1
E	6026 108	BRACKET, Drive End	1
F	6026 109	BRACKET, Idle End	1
G	6026 110	ROTOR	1
H	6026 111	SHAFT	1
J	6026 112	GLAND	2
K	6026 114	SLEEVE, Shaft	2
L	6026 115	CAP, Bearing, Outer (Drive-End)	1
M	6026 116	CAP, Bearing, Inner (Drive End)	1
N	6026 117	CAP, Bearing, Outer (Idle End)	1
P	6026 118	CAP, Bearing, Inner (Idle End)	1
Q	6026 119	BEARING, Drive End	1
R	6026 120	BEARING, Idle End	1
S	6026 126	NUT, Shaft (Idle End)	1
T	6026 127	KEY, Rotor	1
U	6026 128	PACKING	2
V	6026 131	SLINGER, Water (Drive End)	1
W	6026 131A	SLINGER, Water (Idle End)	1
X	6026 132	GASKET, Body	2

IK

COMPONENT PARTS

38QC 223

VACUUM PRIMING PUMP ( Cont. )

KEY	PART NUMBER	DESCRIPTION	NO. REQ.
Y	6026 134	GASKET, Bearing Cap (Drive End)	2
Z	6026 135	GASKET, Bearing Cap (Idler End)	1
AA	6026 141	OTTLER, Idler End Bearing	1
AB	6026 142	SEAL, Shaft (Drive End)	1
AC	6026 142A	SEAL, Shaft (Idle End)	1
AD	6026 153	SCREW, Lock, Shaft Sleeve	2
AE	6026 155	WASHER, Lock, Shaft Nut (Idler End)	1
AF	6026 164	SHIM, Bearing Cap	1-SET
AG	6026 178	CAP, Vent	1

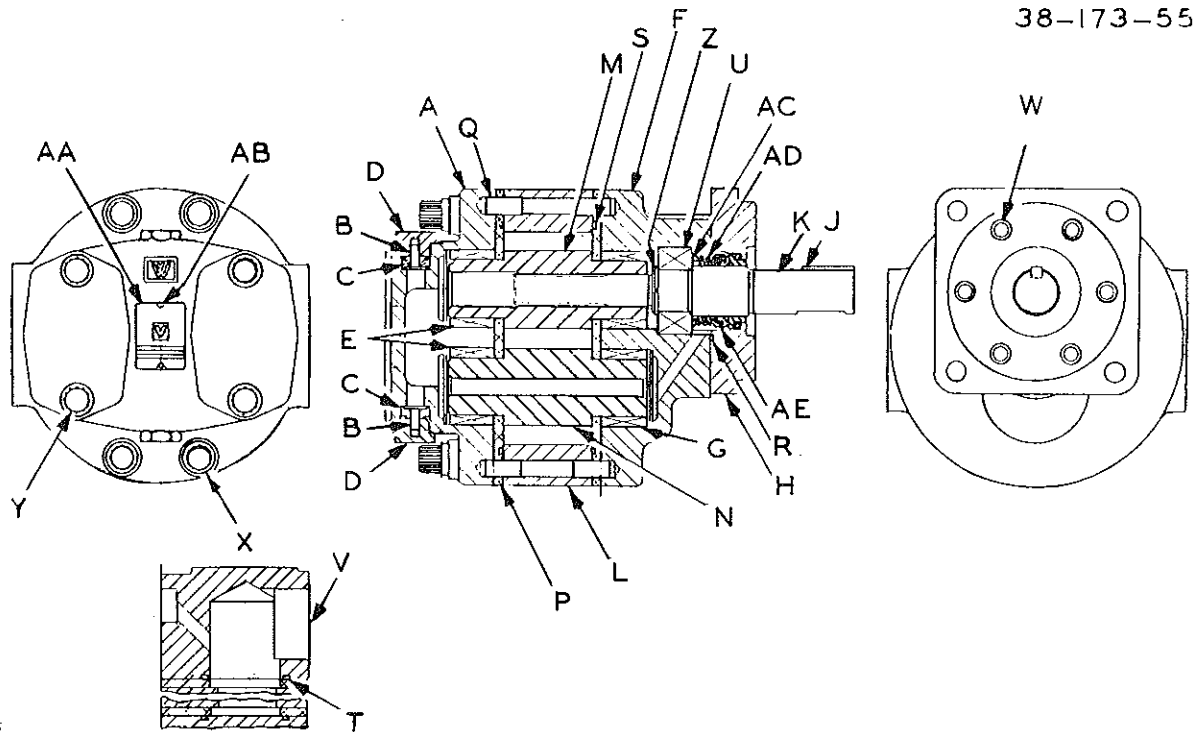
MACK CHASSIS NUMBER must always be given with PART NUMBER when ordering.

COMPONENT PARTS

38QC 424P1 & P2

HYDRAULIC PUMP

38-173-55



KEY	PART NUMBER	DESCRIPTION	NO. REQ.
A	9225 26817	COVER ASSEMBLY Includes:	1
B	9225 26086	VALVE, Poppet	2
C	9225 16148	SPRING	2
D	9225 26087	PLUG	2
E	9225 25984	BEARING, Roller	2
F	9225 25992	BODY ASSEMBLY Includes:	1
G	9225 25984	BEARING, Roller	2
H	9225 25973-2	PLATE, Pilot	1
J	9225 26107	KEY, Drive Shaft Square	1
K	9225 25985-2	SHAFT, Drive	1
L	9225 25977-1	PLATE, Gear (For P1 Only)	1
L	9225 25975-1	PLATE, Gear (For P2 Only)	1
M	9225 25994-3	GEAR, Drive (For P1 Only)	1
M	9225 25994-1	GEAR, Drive (For P2 Only)	1
N	9225 25995-3	GEAR, Idler (For P1 Only)	1
N	9225 25995-1	GEAR, Idler (For P2 Only)	1
P	9225 25983-1	PLATE, Wear	2
Q	9225 34228	PIN, Dowel	4
R	9225 29771-143	"O" RING, Pilot Plate	1
S	9225 29771-260	"O" RING, Wear Plate	2
T	9225 29771-228	"O" RING, Cover Assembly	4
U	9225 21534	BEARING, Ball, Drive Shaft (Pilot Plate End)	1

IK

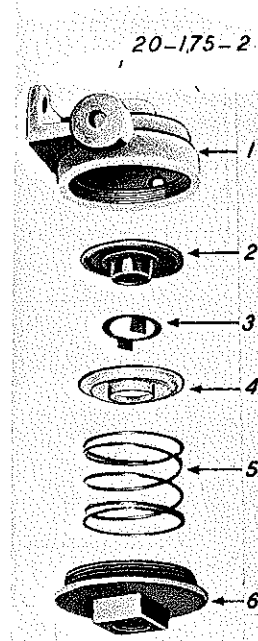
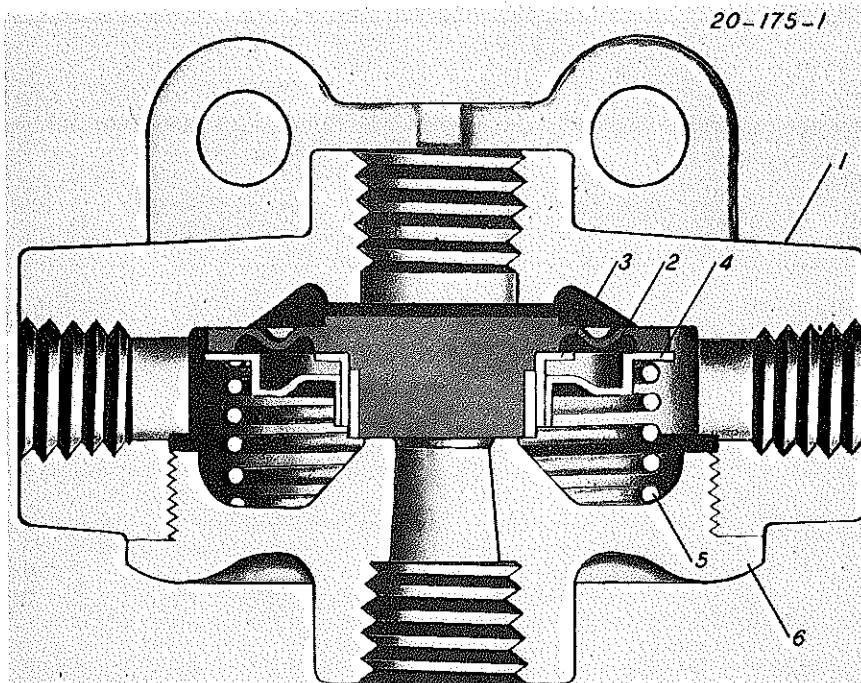
**COMPONENT PARTS**  
 38QC 424P1 & P2  
HYDRAULIC PUMP ( Cont. )

KEY	PART NUMBER	DESCRIPTION	NO. REQ.
V	9225 29701-24	PLUG, Cover Assembly	2
W	9225 29532-16	SCREW, C' Bore	6
X	9225 29532-20	SCREW, C' Bore (For P1 Only)	4
X	9225 29532-18	SCREW, C' Bore (For P2 Only)	4
Y	9225 29532-22	SCREW, C' Bore (For P1 Only)	4
Y	9225 29532-20	SCREW, C' Bore (For P2 Only)	4
Z	9225 29650-15	RING, Drive Shaft Ball Bearing Retaining	1
AA	9225 27613	NAME PLATE	1
AB	9225 29549-4	Attaching Parts: SCREW, Drive	2
--	9225 26815	KIT, Pump Seal	1
AC	---	Consists of: HOLDER, Drive Shaft Spring	1
AD	---	SPRING, Drive Shaft Holder	1
AE	---	FACE, Drive Shaft Seal	1
-	---	SEAT, Drive Shaft Seal	1
		* Serviced in Seal Kit Only	

NOTE: THIS COPY REPLACES ALL COPIES DATED PRIOR TO October 29, 1962.  
 MACK CHASSIS NUMBER must always be given with PART NUMBER when ordering.

### COMPONENT PARTS

20QE 16P1, P2, P3, P4, P5 & P6  
QUICK RELEASE VALVE

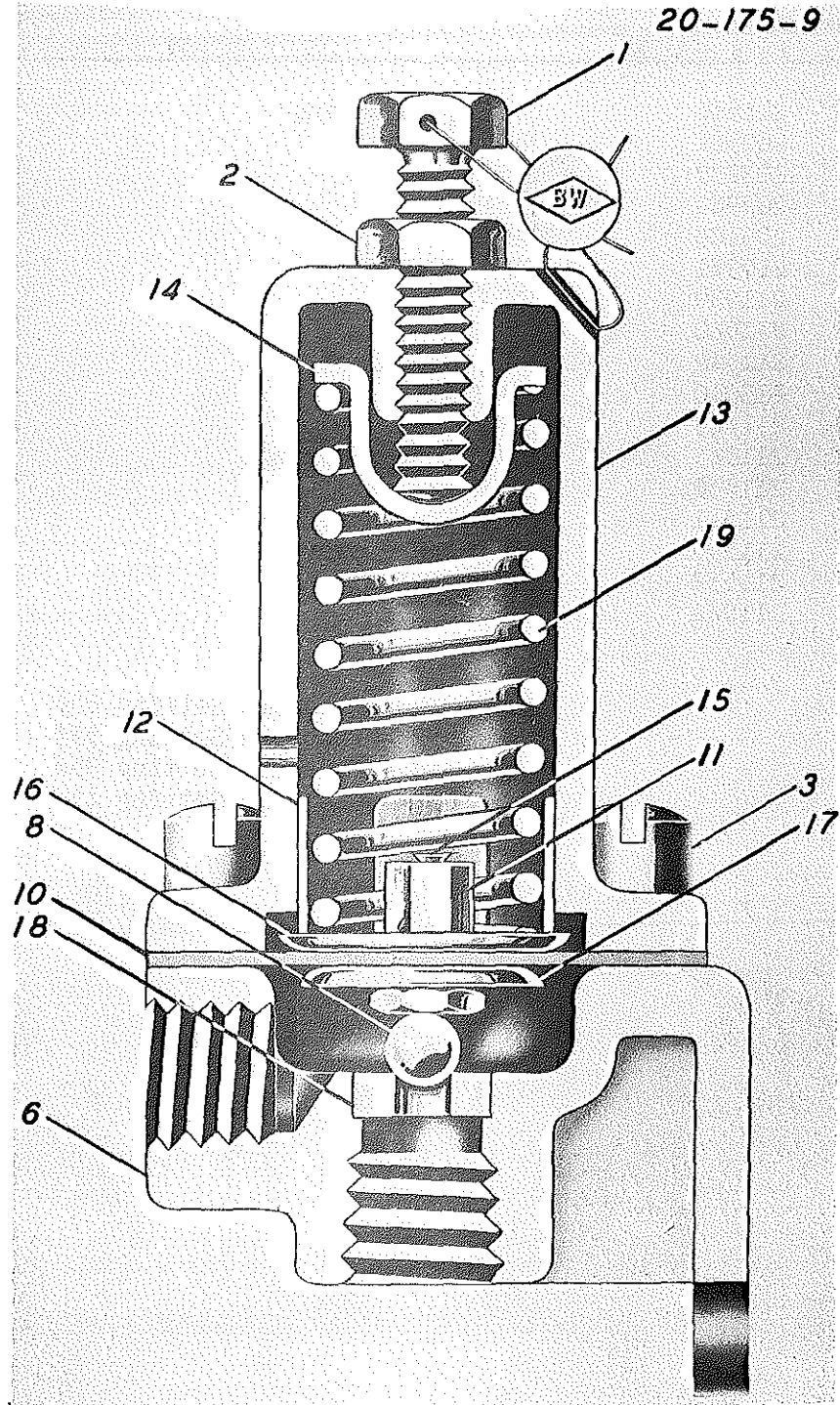


REF. NO.	PART NUMBER	DESCRIPTION	NO. REQ'D.
1	745 204847	BODY, Valve (For P1, P2 & P6 Only)	1
1	745 230931	BODY, Valve (For P3, P4 & P5 Only)	1
2	745 237925	DIAPHRAGM	1
3	Not Used	DAMPENER	
4	745 202587	SEAT, Spring (For P1 & P3 Only)	1
4	745 237372	SEAT, Spring (For P2, P4, P5 & P6 Only)	1
5	745 202588	SPRING (For P1, P3, P4 & P6 Only)	1
	745 203373	SPRING (For P2 & P5 Only)	1
6	745 211028	CAP, Body	1

MACK CHASSIS NUMBER must always be given with PART NUMBER when ordering.

COMPONENT PARTS

20 QE 17-P1, P2, P3, & P4  
PRESSURE REGULATOR



THIS REPLACES ALL COPIES DATED PRIOR TO MARCH 28, 1957.

MACK CHASSIS NUMBER *must always be given with PART NUMBER when ordering.*

### COMPONENT PARTS

20 QE 17-P1, P2, P3, & P4  
PRESSURE REGULATOR

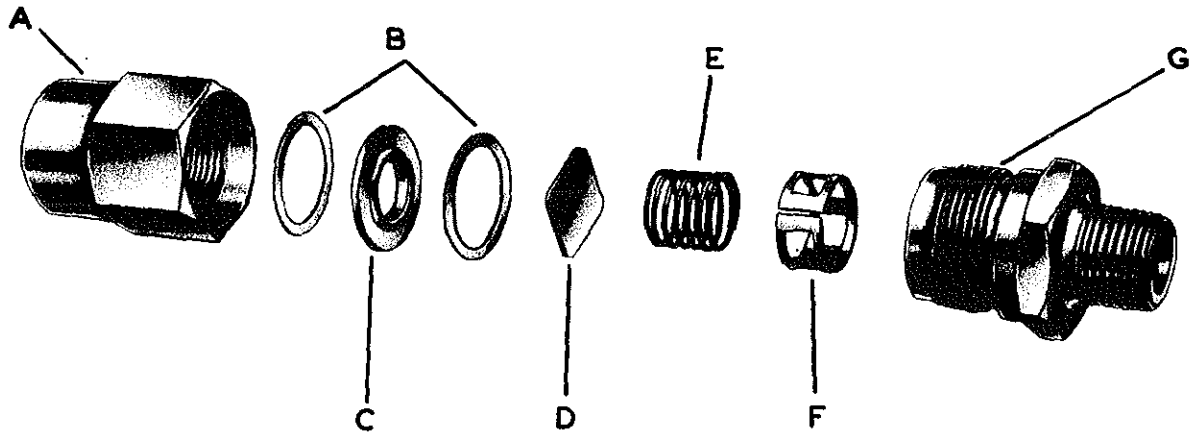
REF. NO.	PART NUMBER	DESCRIPTION	NO. REQ'D.
1	745 211546	SCREW, Adjusting	1
2	745 202961	NUT	1
3	745 203237	SCREW	4
4	745 202981	WASHER	4
5	745 203105	NUT	4
6	745 217381	BODY COMPLETE	1
8	745 211539	VALVE	1
10	745 211540	DIAPHRAGM	2
11	745 211542	NUT, Stem Lock	1
12	745 213010	DAMPENER	1
13	745 211543	COVER	1
14	745 211545	SEAT, Upper Spring	1
15	745 211538	STEM, Valve	1
16	745 211541	FOLLOWER (Upper)	1
17	745 211595	FOLLOWER (Lower)	1
18	745 211537	SEAT, Valve	1
19	745 211544	SPRING	1

NOTE: P1 - Pressure Setting 65#  
P2 - Pressure Setting 55#  
P3 - Pressure Setting 95#  
P4 - Pressure Setting 45#

MACK CHASSIS NUMBER must always be given with PART NUMBER when ordering.

COMPONENT PARTS  
20 QE 186A  
**CHECK VALVE**

20-175-53



KEY	PART NUMBER	DESCRIPTION	NO. REQ'D.
A	745 238161	BODY, Valve	1
B	745 238179	WASHER, Valve Seat	2
C	745 237992	SEAT, Valve	1
D	745 238287	VALVE, Disc	1
E	745 237994	SPRING, Valve	1
F	745 237989	BUSHING, Valve Stop	1
G	745 238159	CAP, Screw	1

4/3/57

mg

1-1

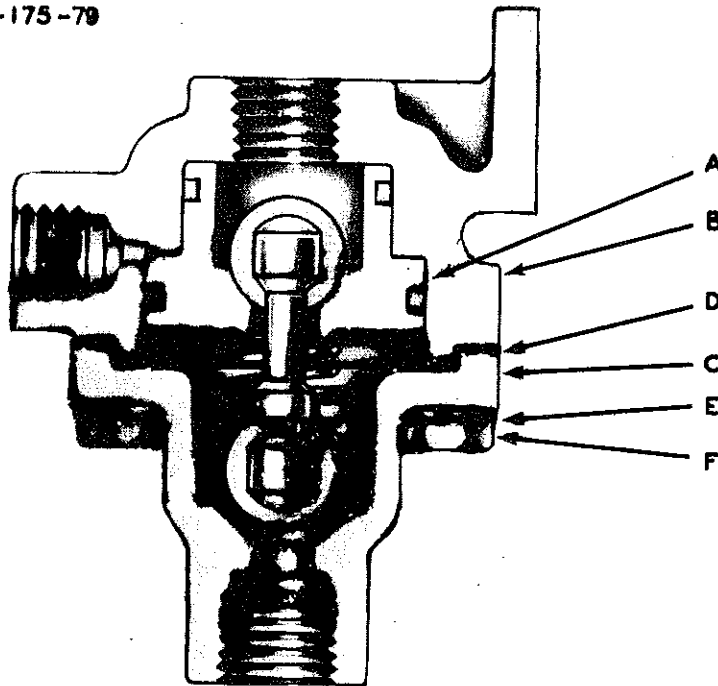


# COMPONENT PARTS

20QEA 236A

COMBINED LIMITING & QUICK RELEASE VALVE

20-175-79



KEY	PART NUMBER	DESCRIPTION	QTY.
A	745 229508	VALVE ASSEMBLY, Inlet & Exhaust Includes:	1
-	745 239652	PISTON	1
-	745 239653	VALVE, INLET & EXHAUST	2
-	745 239654	STEM	1
-	745 239655	GUIDE, Valve	1
-	745 239656	SPRING, Valve	1
-	745 239657	GROMMET, (Large)	1
-	745 239658	GROMMET, (Small)	1
B	745 239651	BODY	1
C	745 239660	COVER	1
		Attaching Parts:	
D	745 233354	GASKET	1
E	---	WASHER, Lock, 5/16 (36AX 22)	4
F	---	SCREW, Cap, hex. hd. 5/16-18 x 7/8 (4AX 32)	4

9/1/59 aa-

#1 of 1

THIS SUPERSEDES & REPLACES 20QE 251.

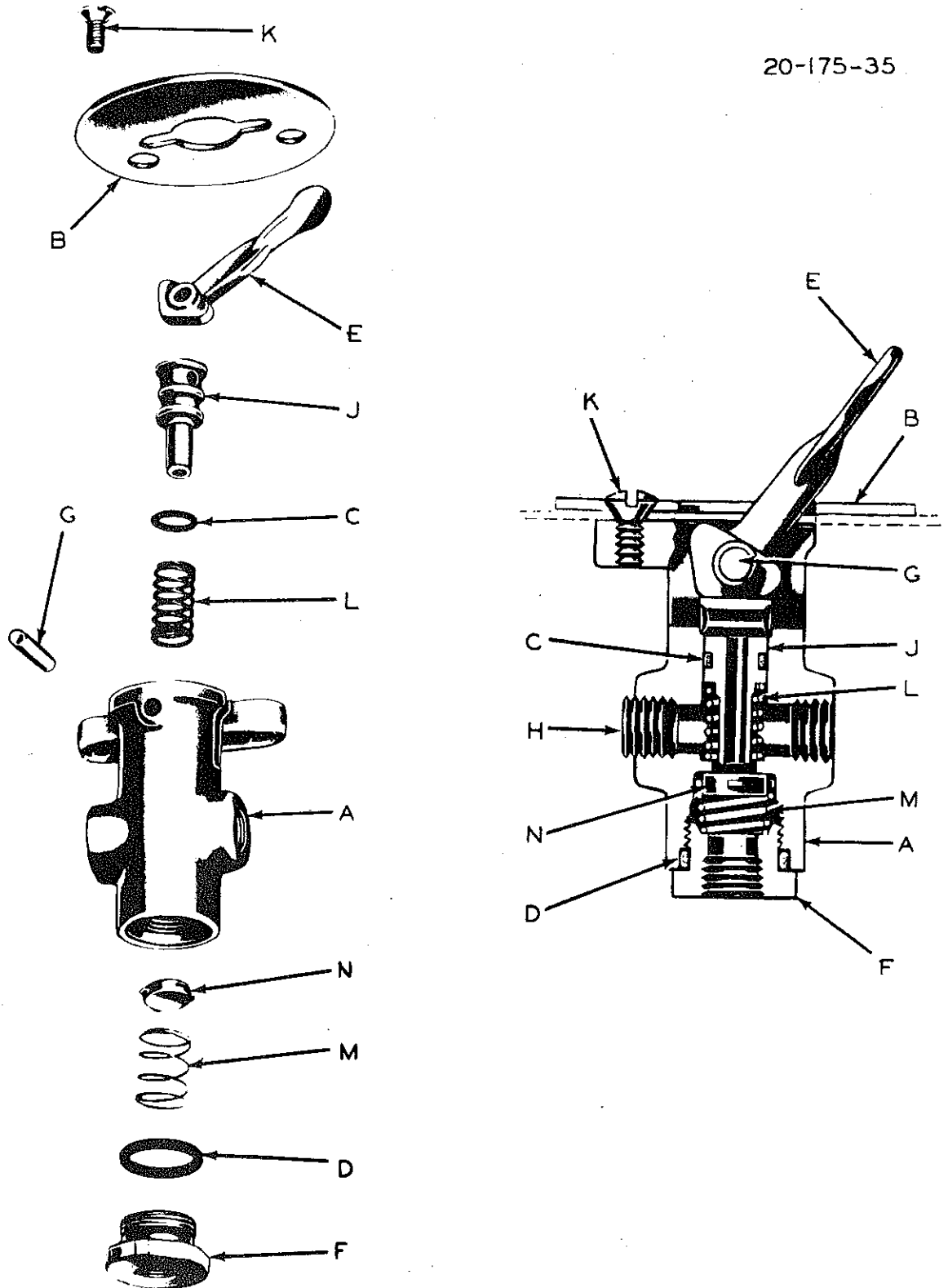
**MACK CHASSIS NUMBER** must always be given with **PART NUMBER** when ordering.

### COMPONENT PARTS

20QE 251A

TRACTOR PROTECTION CONTROL VALVE

20-175-35



IK

3/30/62 mes-sr

#1-2

THIS SUPERSEDES & REPLACES 20QE 251.

MACK CHASSIS NUMBER must always be given with PART NUMBER when ordering.

COMPONENT PARTS

20QE 251A

TRACTOR PROTECTION CONTROL VALVE

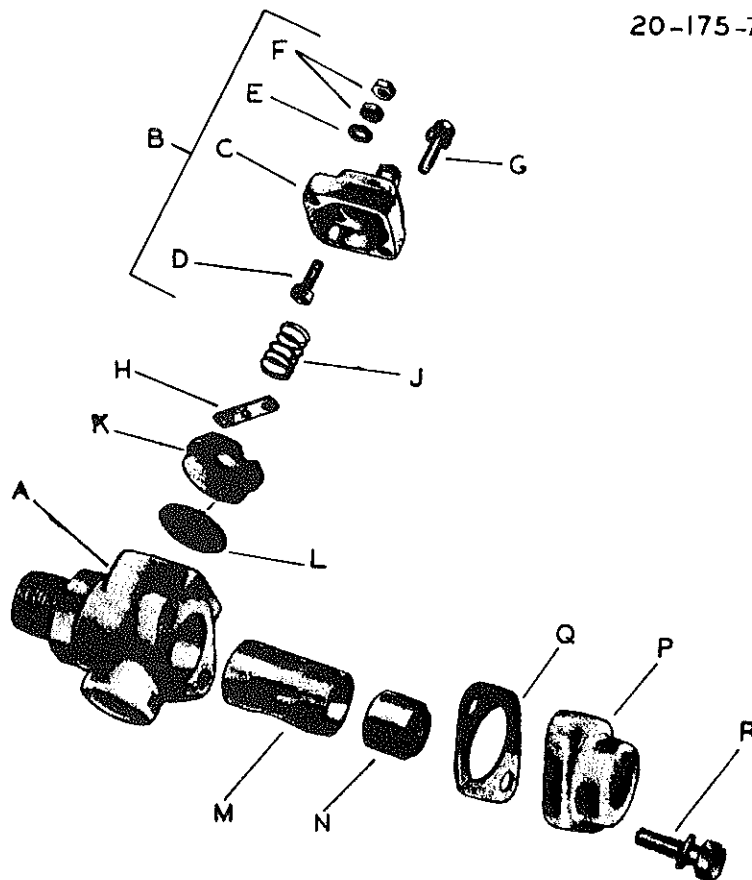
KEY	PART NUMBER	DESCRIPTION	NO. REQ.
A	745-239092	BODY	1
B	Not Used	DIAL	
C	745-214749	GROMMET	1
D	745-236728	RING, Sealing	1
E	13RU 1282	LEVER	1
F	745-234840	NUT, Cap	1
G	745-211155	PIN	1
H	745-233410	PLUG, Pipe (1/8")	1
J	745-239093	PLUNGER	1
K	Not Used	SCREW, Dial	
L	745-234833	SPRING, Plunger Return	1
M	745-235729	SPRING, Valve	1
N	745-239750	VALVE	1

MACK CHASSIS NUMBER must always be given with PART NUMBER when ordering.

### COMPONENT PARTS

20QE 262P1 & P2  
DOUBLE CHECK VALVE & STOP LIGHT SWITCH

20-175-73



KEY	PART NUMBER	DESCRIPTION	NO. REQ.
A	745 238882	BODY	1
B	745 228952	COVER ASSEMBLY	1
		Consists of:	
C	745 238396	COVER	1
D	745 228074	SCREW, Terminal (With Contact)	2
E	745 238398	WASHER	4
F	745 238399	NUT, Hex. (Brass)	4
		Attaching Part:	
G	745 238400	SCREW & WASHER	2
H	745 228049	STRIP COMPLETE, Contact	1
J	745 238334	SPRING, Piston (For P1)	1
J	745 240168	SPRING, Piston (For P2)	1
K	745 238392	PISTON	1
L	745 238581	DIAPHRAGM, "O" Ring	1
M	745 237499	GUIDE, Shuttle (For P1)	1
M	745 239949	GUIDE, Shuttle (For P2)	1
N	745 237497	SHUTTLE	1
P	745 237492	CAP	1
		Attaching Part:	
Q	745 237495	GASKET	1

# COMPONENT PARTS

20QE 262P1 & P2 (Cont)  
DOUBLE CHECK VALVE & STOP LIGHT SWITCH

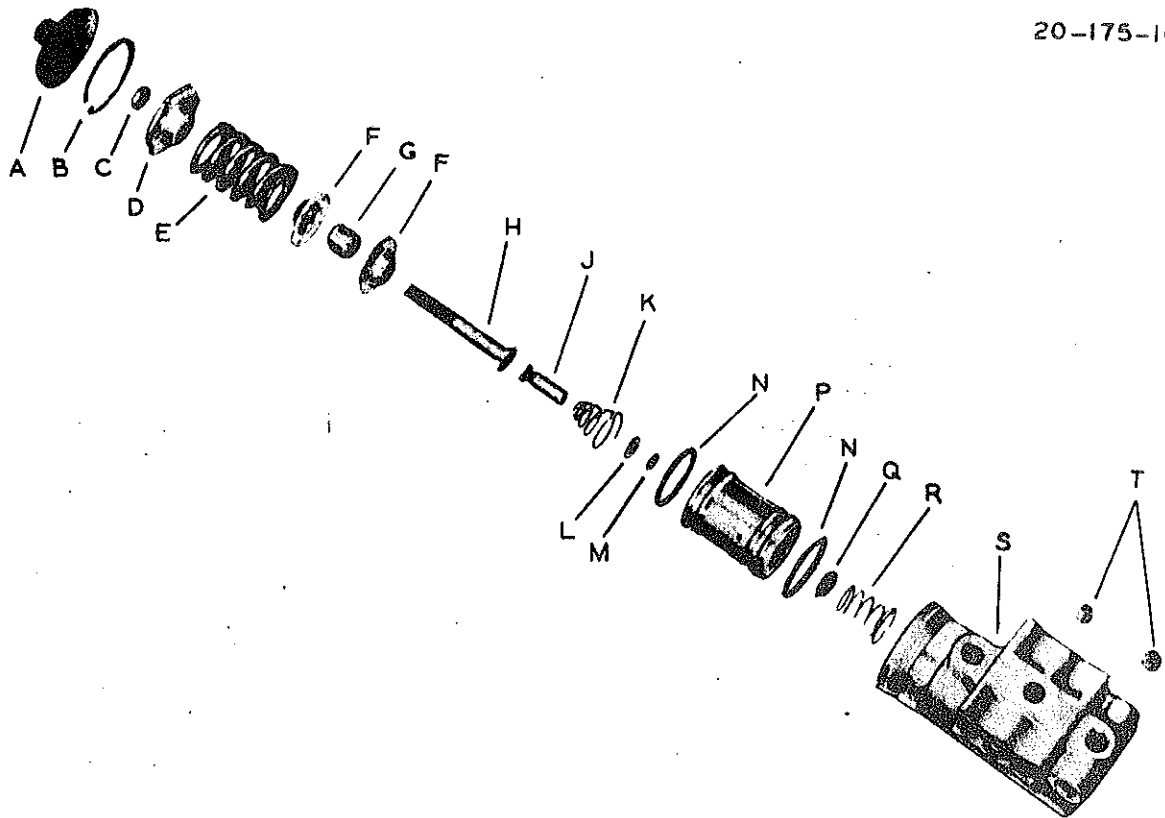
KEY	PART NUMBER	DESCRIPTION	NO. REQ.
R	745 237498	SCREW & WASHER	2
-	745 240290	BRACKET, Mounting (For P2)	1
-	745 240289	TAG, Identification (For P2)	1
-	745 202678	WASHER, Plain (For P2)	1

MACK CHASSIS NUMBER must always be given with PART NUMBER when ordering.

COMPONENT PARTS

20QE 275  
GOVERNOR

20-175-107



KEY	PART NUMBER	DESCRIPTION	NO. REQ'D.
A	745 240347	COVER	1
B	745 241440	RING, Retaining	1
C	745 202961	NUT, Adjusting Screw	1
D	745 240344	SEAT, Upper Spring	1
E	745 240343	SPRING, Adjusting Screw	1
F	745 240341	SEAT, Lower Spring	2
G	745 240342	GUIDE, Spring	1
H	745 240340	SCREW, Adjusting	1
J	745 240339	STEM, Exhaust	1
K	745 240338	SPRING, Exhaust Stem	1
L	745 240333	WASHER, Piston	1
M	745 230175	GROMMET, Exhaust Stem	1
N	745 239658	GROMMET, Piston	2
P	745 240331	PISTON	1
Q	745 240334	VALVE	1
R	745 240336	SPRING, Valve	1
S	745 275230	BODY, Complete	1
		Includes:	
T	745 240346	FILTER	2
-	745 233410	PLUG, Socket hd. Pipe (1/8")	4

IK

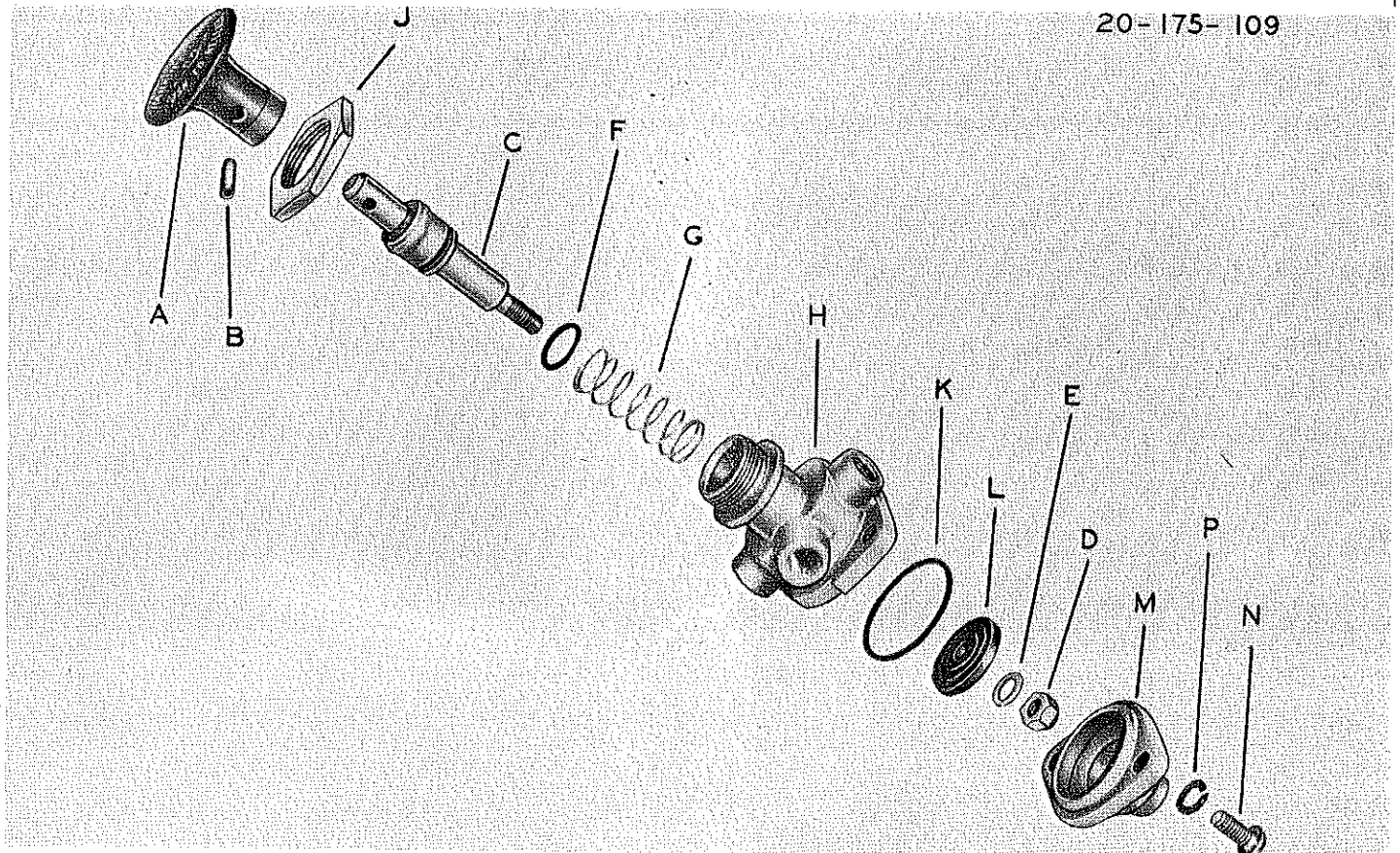
THIS COPY REPLACES ALL COPIES DATED PRIOR TO APRIL 17, 1964.

**MACK CHASSIS NUMBER** must always be given with **PART NUMBER** when ordering.

### COMPONENT PARTS

20QE 278P1 to P4  
CONTROL VALVE

20-175-109

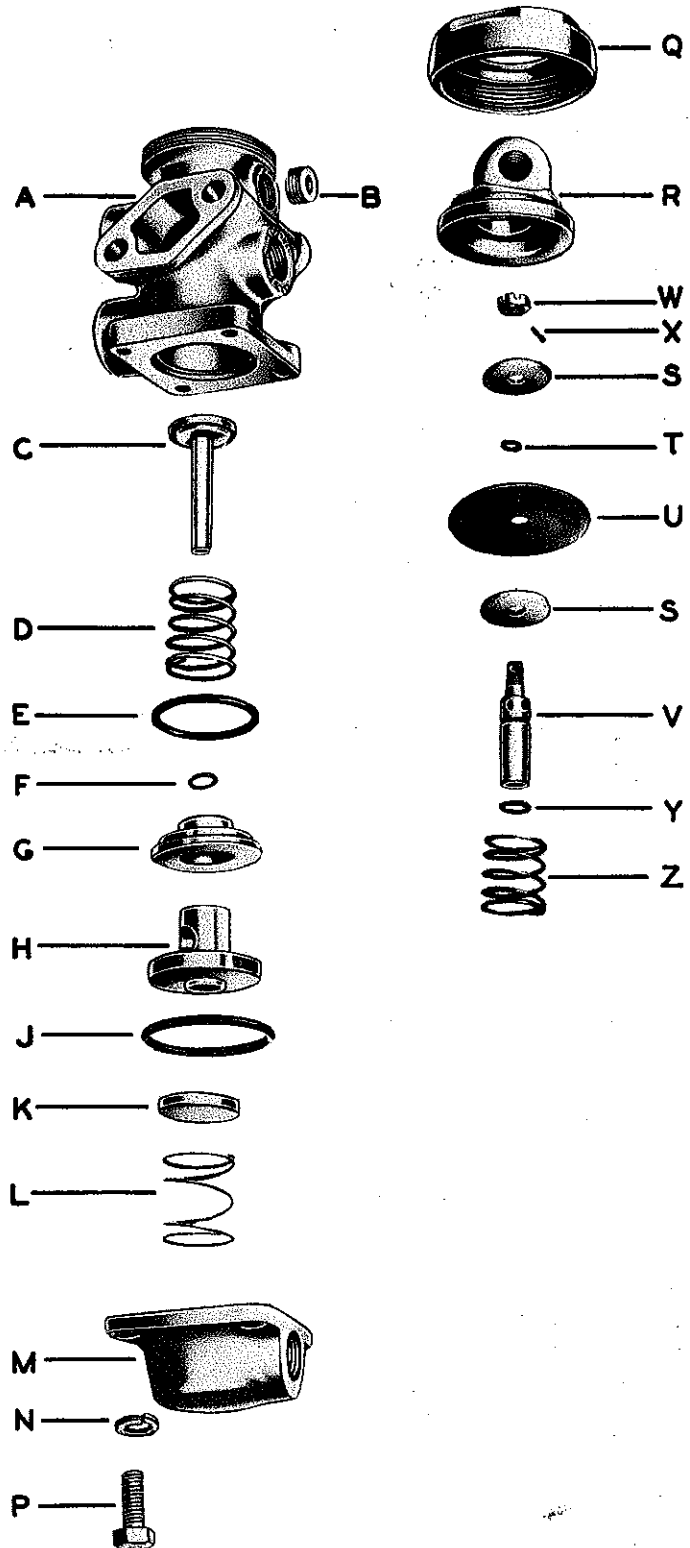


KEY	PART NUMBER	DESCRIPTION	REQ'D. QTY.
A	745 240272	BUTTON, Control Valve (For P1)	1
A	745 240931	BUTTON, Control Valve (For P2)	1
A	745 240302	BUTTON, Control Valve (For P3)	1
A	745 240920	BUTTON, Control Valve (For P4)	1
B	745 238379	Attaching Parts: PIN, Spirol	1
C	745 240273	PLUNGER	1
D	745 230401	Attaching Parts: NUT	1
E	745 202678	WASHER	1
F	745 240450	GROMMET, Plunger	1
G	745 240284	SPRING, Plunger	1
H	745 240381	BODY, Control Valve	1
J	745 239357	Attaching Parts: NUT, Lock	1
K	745 240480	RING, Sealing	1
L	745 240277	VALVE, Inlet & Exhaust	1
M	745 240283	COVER, Body	1
N	745 238501	Attaching Parts: SCREW	2
P	745 239383	WASHER, Lock	2

**MACK CHASSIS NUMBER** must always be given with **PART NUMBER** when ordering.

**COMPONENT PARTS**  
20QE 335  
TRACTOR PROTECTION VALVE

20-175-56





MACK CHASSIS NUMBER must always be given with PART NUMBER when ordering.

**COMPONENT PARTS**

20QE 335  
TRACTOR PROTECTION VALVE

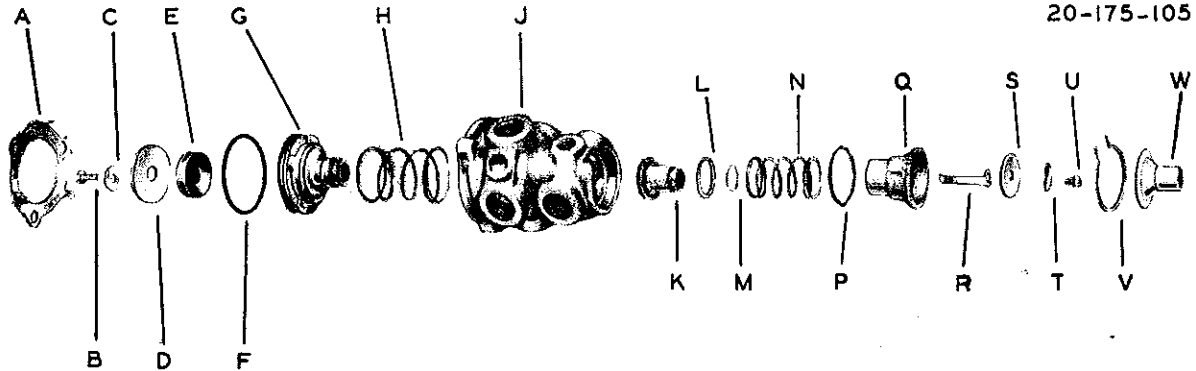
KEY	PART NUMBER	DESCRIPTION	NO. REQ'D.
A	745 237946	BODY	1
B	745 238253	PLUG, Pipe 1/4" Socket Head	1
C	745 237834	VALVE, Service & Exhaust	1
D	745 232702	SPRING	1
E	745 213346	GROMMET, Valve Guide	1
F	745 230392	GROMMET, Disc Valve Seat	1
G	745 237836	GUIDE, Service & Exhaust Valve	1
H	745 237835	SEAT, Disc Valve	1
J	745 231007	GROMMET, Body	1
K	745 237709	VALVE, Disc	1
L	745 237837	SPRING, Emergency Valve	1
M	745 237744	COVER	1
		Attaching Parts:	
N		WASHER, Lock 5/16" (36AX 22)	4
P		SCREW, cap, 5/16" - 18 Hex. hd. (4AX 99)	4
Q	745 232685	NUT, Cap	1
R	745 234482	CAP	1
S	745 237717	FOLLOWER	2
T	745 232068	GROMMET, 5/16" O.D.	1
U	745 234481	DIAPHRAGM	1
V	745 237720	PLUNGER, Exhaust Valve	1
		Attaching Parts:	
W		NUT, hex. 1/4"-28 (19AX 1)	1
X		COTTER, 1/16" (29AX 1)	1
Y	745 214749	GROMMET, Exhaust & Valve Plunger	1
Z	745 237716	SPRING, Exhaust Valve	1

THIS REPLACES ALL COPIES DATED PRIOR TO SEPTEMBER 17, 1963.  
**MACK CHASSIS NUMBER** must always be given with **PART NUMBER** when ordering.

**COMPONENT PARTS**

20QE 350  
VALVE

20-175-105



KEY	PART NUMBER	DESCRIPTION	NO. REQ'D.
A	745 239668	RETAINER	1
B	745 239640	SCREW, Piston Cap Attaching Parts:	1
C	745 239713	WASHER	1
D	745 239634	SEAT, Spring	1
E	745 241559	SPRING, Rubber	1
F	745 239643	GROMMET, Piston	1
G	745 241597	PISTON	1
H	745 235829	SPRING, Piston Return	1
J	745 239633	BODY, Valve	1
K	745 239979	VALVE, Inlet & Exhaust	1
L	745 240960	RETAINER, Valve	1
M	745 239136	GROMMET, Inlet & Exhaust Valve	1
N	745 239627	SPRING, Valve	1
P	745 239645	GROMMET, Exhaust Check Valve Seal	1
Q	745 239630	SEAT, Exhaust Check Valve	1
R	745 239737	SPRING, Inlet Valve Preload	1
S	745 239615	DIAPHRAGM	1
T	745 239708	WASHER, Diaphragm	1
U	745 242109	SCREW, Forming	1
V	745 239476	RING, Retaining	1
W	Not Used	EXTENSION, Exhaust	1

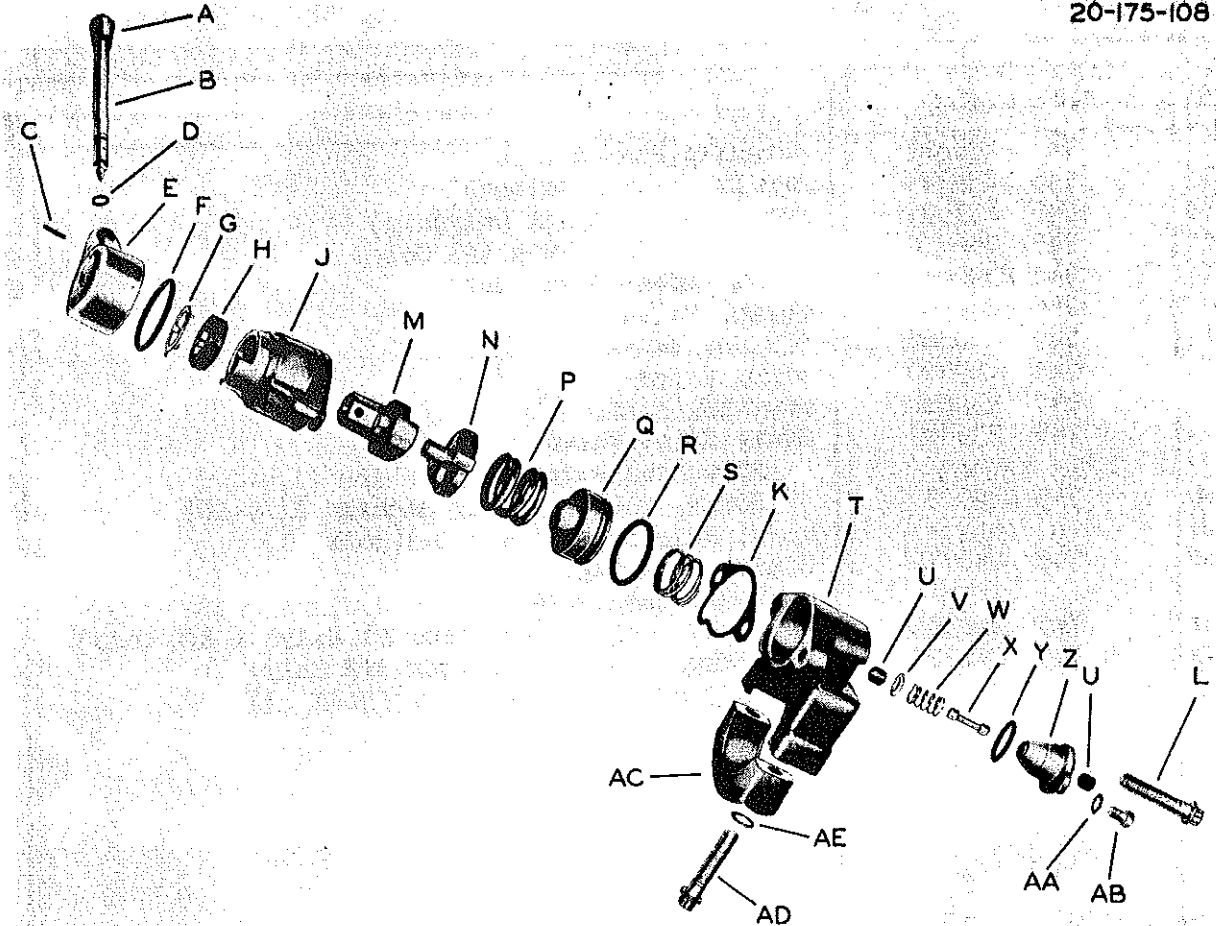
THIS REPLACES ALL COPIES DATED PRIOR TO JANUARY 14, 1963.

**MACK CHASSIS NUMBER** must always be given with **PART NUMBER** when ordering.

**COMPONENT PARTS**

20QE 351P1 & P2  
 20QE 351AP1, AP2 & AP3  
BRAKE CONTROL VALVE

20-175-108



KEY	PART NUMBER	DESCRIPTION	NO. REQ'D.
A	745 240297	KNOB, Control Valve Handle	1
B	745 239940	HANDLE, Control Valve	1
		Attaching Parts:	
C	745 241556	PIN, Spirol	1
D	745 232068	GROMMET, Control Valve Handle	1
E	745 239939	HEAD, Valve Cover	1
F	745 231159	GROMMET, Head	1
G	745 239911	WASHER, Adjusting Ring Lock	1
H	745 239910	RING, Adjusting	1
J	745 239906	COVER, Valve	1
		Attaching Parts:	
K	745 240457	GASKET	1
L	745 241691	SCREW, machine, fillister hd.	2
M	745 239907	FOLLOWER, Cam (For P1 & P2 Only)	1
M	745 241628	FOLLOWER, Cam (For AP1, AP2 & AP3 Only)	1
N	745 239908	CAM	1
P	745 239909	SPRING, Graduating (For P1 & P2 Only)	1
P	745 241486	SPRING, Graduating (For AP1, AP2 & AP3 Only)	1
Q	745 239905	PISTON	1
1/14/63 mes-sr			
#1-2			

THIS REPLACES ALL COPIES DATED PRIOR TO JANUARY 14, 1963.

MACK CHASSIS NUMBER must always be given with PART NUMBER when ordering.

**COMPONENT PARTS**

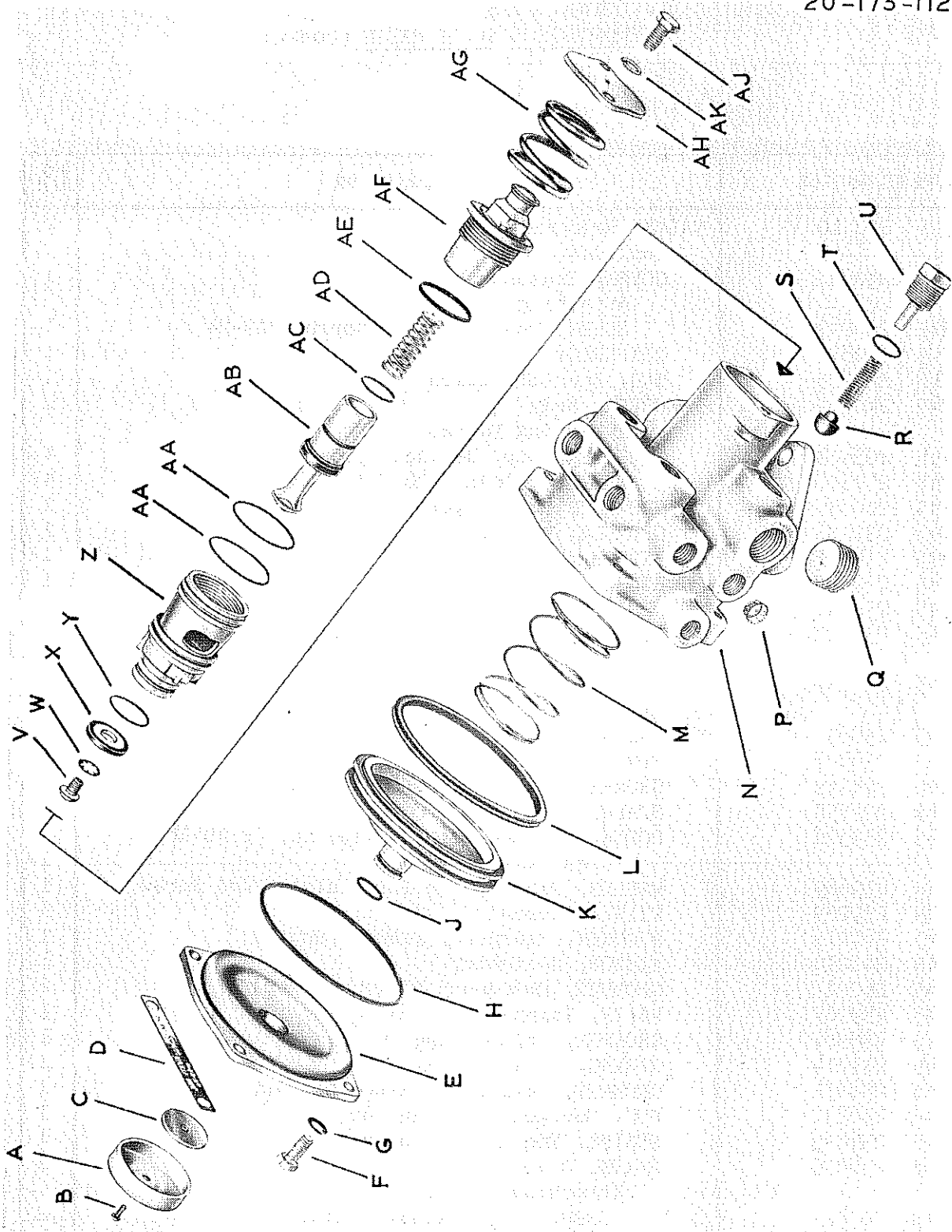
20QE 351P1 & P2  
 20QE 351AP1, AP2 & AP3  
BRAKE CONTROL VALVE

KEY	PART NUMBER	DESCRIPTION	NO. REQ.
R	745 238327	GROMMET, Piston	1
S	745 239904	SPRING, Piston Return	1
T	745 239897	BODY (For P1 & AP1 Only)	1
T	745 240236	BODY (For P2, AP2 & AP3 Only)	1
U	745 239901	VALVE, Inlet & Exhaust	2
V	745 239902	GUIDE, Valve	1
W	745 240288	SPRING, Valve	1
X	745 239900	STEM, Valve	1
Y	745 239898	GROMMET, Body	1
Z	745 239899	SEAT, Inlet Valve	1
AA	745 239903	Attaching Parts: SCREW, Fillister hd. Machine (1/4-20)	2
AB		WASHER, Lock (1/4 I.D.)(36AX 1)	2
AC	745 240775	CLAMP, Mounting	1
AD	745 240351	Attaching Parts: SCREW, cap, 3/8-16 (For P1, 2, AP1 & AP2 Only)	2
AD	745 242220	SCREW, cap, 3/8-16 (For AP3 Only)	2
AE		WASHER, Lock, (3/8 I.D.)(36AX 3)	2

COMPONENT PARTS

200E 1125  
RESERVOIR & RELAY VALVE

20-175-112



8/3/62 mes-sr

#1-2

MACK CHASSIS NUMBER must always be given with PART NUMBER when ordering.

COMPONENT PARTS

20QE 1125  
RESERVOIR & RELAY VALVE (Cont.)

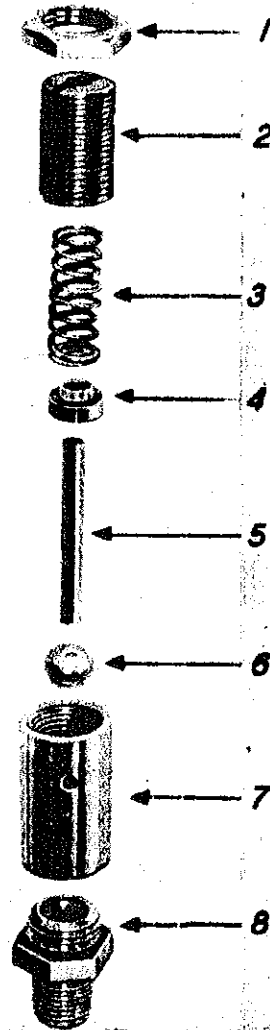
KEY	PART NUMBER	DESCRIPTION	NO. REQ.
-	745 228510	VALVE, Emergency Relay	1
A	745 240858	Includes: COVER, Exhaust	1
B	745 240857	Attaching Parts: SCREW, Pan hd. Self Tapping #10-24	1
C	745 239873	DIAPHRAGM	1
D	745 239225	TAG, Identification	1
E	745 240859	COVER, Body	1
F	745 203414	Attaching Parts: SCREW, cap, hex.hd. 5/16-18	4
G	745 237648	WASHER, Plain 5/16 I.D.	4
H	745 240859	GROMMET, Body Cover	1
J	745 239136	GROMMET, Piston	1
K	745 238841	PISTON, Relay	1
L	745 238842	RING, Quad	1
M	745 238840	SPRING, Piston Return	1
N	745 238821	BODY, Relay Emergency Valve	1
P	745 239139	Includes: FILTER	2
Q	745 238837	PLUG, sq. hd. iron 1/2 NPT (63AX 1)	2
R	745 238837	VALVE, Check	1
S	745 238838	SPRING, Check Valve	1
T	745 214745	GROMMET, Check Valve Cap Screw	1
U	745 239755	SCREW, Check Valve Cap	1
V	745 239376	SCREW, machine rd. Phillips hd. (5/16-18)	1
W	745 239689	Inlet Valve	1
X	745 239269	WASHER, Plain (5/16 I.D.) Inlet Valve Screw	1
Y	745 240211	VALVE, Exhaust	1
Z	745 240210	GROMMET, Emergency Piston (Upper)	1
AA	745 240212	PISTON, Emergency	1
AB	745 239267	GROMMET, Emergency Piston (Lower)	2
AC	745 238564	VALVE, Inlet	1
AD	745 239214	GROMMET, Inlet Valve	1
AE	745 238831	SPRING, Inlet Valve	1
AF	745 238832	GROMMET, Emergency Piston Cap Nut	1
AG	745 238835	NUT, Emergency Piston Cap	1
AH	745 238836	SPRING, Emergency Piston	1
AJ	745 203414	PLATE, Cover	1
AK	745 237648	Attaching Parts: SCREW, cap, hex.hd. 5/16-18	2
-	745 238833	WASHER, Plain (5/16 I/D.)	2
-	745 238834	SHIM, Emergency Piston Spring(.010)	AR
-	61AX 110	SHIM, Emergency Piston Spring (.020)	AR
-	745 228742	COCK, Drain	1
-		RESERVOIR COMPLETE	1

THIS REPLACES ALL COPIES DATED PRIOR TO SEPTEMBER 6, 1963.  
**TRUCK CHASSIS NUMBER** must always be given with **PART NUMBER** when ordering.

**COMPONENT PARTS**

20QE 1129  
SAFETY VALVE

10-13-2



**SAFETY VALVE**

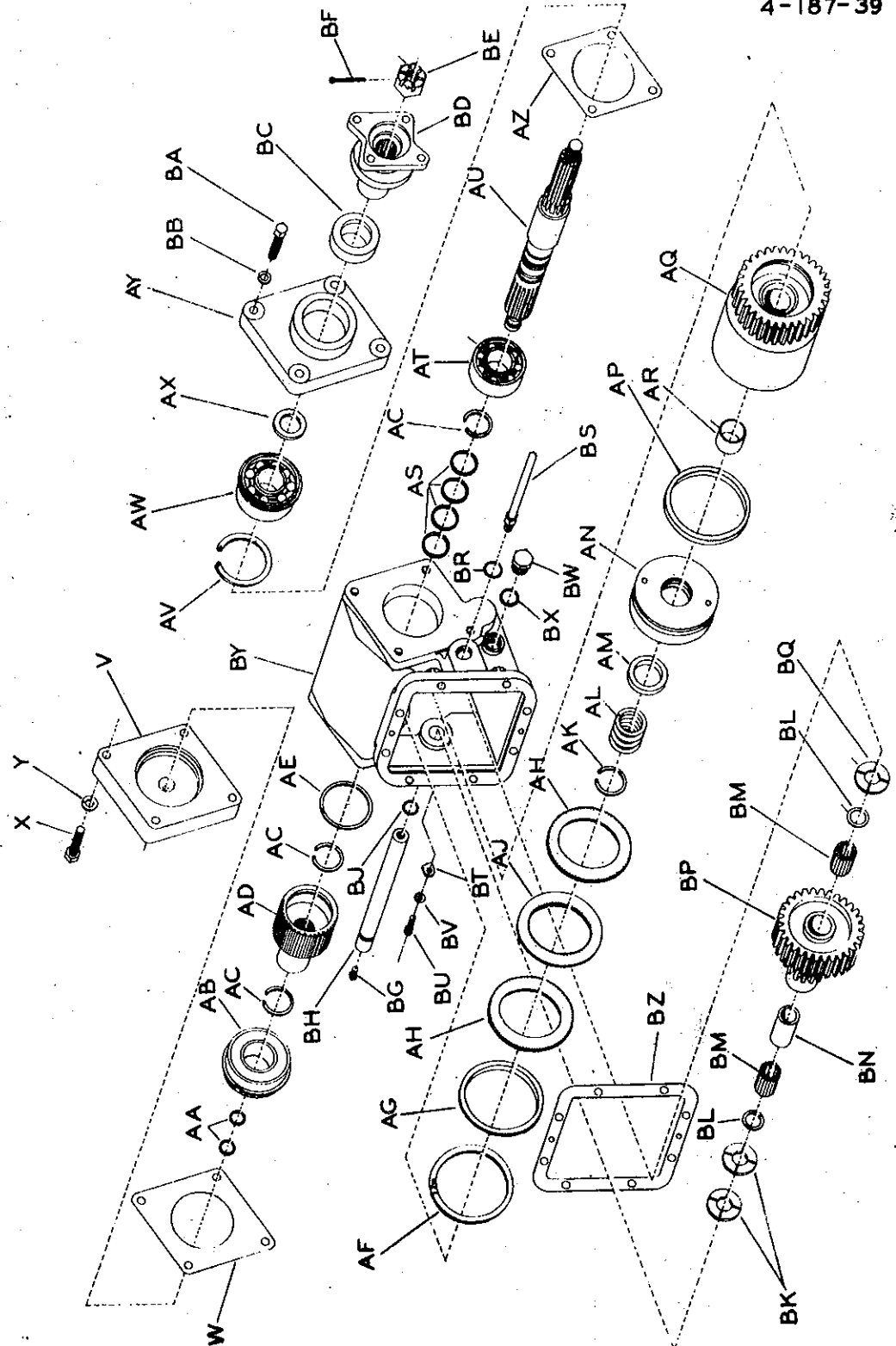
REF. NO.	PART NUMBER	DESCRIPTION	NO. REQ'D
1	745-201612	NUT, Lock	1
2	745-201611	SCREW, Adjusting	1
3	745-201614	SPRING	1
4	745-201615	SEAT, Spring	1
5	745-201613	STEM	1
6	745-213203	VALVE, Ball	1
7	745-201610	CAGE, Spring	1
8	745-201609	BODY	1

MACK CHASSIS NUMBER must always be given with PART NUMBER when ordering.

### COMPONENT PARTS

4RGA 187  
POWER TAKE OFF ASSEMBLY

4-187-39



IK



COMPONENT PARTS

4RGA 187

POWER TAKE OFF ASSEMBLY (Cont.)

KEY	PART NUMBER	DESCRIPTION	NO. REQ.
A Thru U V	Not Used 1450 2069	CAP, Bearing (Closed)	1
W	123SX 34	Attaching Parts: GASKET	1
X		SCREW, cap, 1/2-13 x 1-1/2 (4AX 25)	4
Y		WASHER, Lock, 1/2 I.D. (36AX 5)	4
Z	1450 2096	PIN, Dowel (1/8 x 3/8)	1
AA	1450 2093	RING, Sealing	2
AB	1450 2083	BEARING, Ball	1
AC	1450 1740	RING, Lock	3
AD	1450 2075	GEAR, Internal Drive	1
AE	1450 2087	RING, Lock	1
AF	1450 2088	RING, Lock (Large)	1
AG	1450 2078	SPACER, Clutch Stop	1
AH	1450 2081	DISC, Opposing	8
AJ	1450 2080	DISC, Bronze	7
AK	1450 2086	RING, Lock (Small)	1
AL	1450 2092	SPRING	1
AM	1450 2033A	RING, Block Vee (Small)	1
AN	1450 2074	PISTON	1
AP	1450 2090A	RING, Block Vee (Large)	1
AQ	1450 2107	GEAR ASSEMBLY, Spider	1
-	1450 2089	Includes: RING, Lock	1
-	1450 2073B	RETAINER, Spider Gear	1
AR	1450 2079	Includes: BUSHING	1
AS	1450 2091	RING, Sealing	4
AT	67AX 227	BEARING, Driven Gear Ball	1
AU	1450 2061	SHAFT, Drive	1
AV	1450 2084	RING, Lock	1
AW	46AX 318	BEARING, Ball (Output End)	1
AX	Not Used	SPACER, (Output End)	1
AY	1450 2068B	FLANGE, Pump	1
AZ	123SX 34	Attaching Parts: GASKET	1
BA	1450 3048	STUD, 1/2 x 4-1/2	4
BB		NUT, 1/2-20 NF (20AX 5)	4
BC	1450 2098	SEAL, OIL, Drive Shaft	1
BD	Not Used	FLANGE, Output	
BE	Not Used	Attaching Parts: NUT, 7/8-14	
BF	Not Used	COTTER PIN, stl. 1/8 x 1-3/4 (29AX 6)	
BG	1450 1993	PLUG, Idler Shaft Pipe	1
BH	1450 2112	SHAFT, Idler	1
BJ	1450 2067A	"O" RING, Idler Shaft	1
BK	1450 1388	WASHER, Thrust (Flange End)	2
BL	1450 1998	WASHER, Bearing	2
BM	1450 363	BEARING, Needle (21 Per Set)	2 Sets
BN	1450 1997	SPACER, Idler	1
BP	1450 1604	GEAR, Idler	1
BQ	1450 1484	WASHER, Thrust	1
BR	1450 2057A	"O" RING, Idler Shaft	1
BS	1450 1994	TUBE, Oil Line (At Idler Shaft)	1
BT	1450 1322	PLATE, Retaining	1
BU		Attaching Parts: SCREW, cap, 5/16-18 x 3/4 (4AX 99)	1
BV		WASHER, Lock, 5/16 I.D. (36AX 2)	1
BW	1450 2118B	PLUG, Inspection	1
BX	1450 2119	Attaching Parts: GASKET	1

COMPONENT PARTS

4RGA 187  
POWER TAKE OFF ASSEMBLY (Cont.)

KEY	PART NUMBER	DESCRIPTION	NO. REQ.
BY	1450 1975C	HOUSING, P.T.O.	1
BZ	1450 1978	Attaching Parts:	AR
BZ	1450 1978A	GASKET (.010)	AR
-	1450 2466	GASKET (.020)	1
-	1450 2470	KNOB, Wire Control	1
-		CONTROL ASSEMBLY, Wire	1
-		Includes:	
-		WASHER, Lock, 1/2 I.D. (36AX 5)	1
-		NUT, jam 1/2-20 NF x 5/16 (21AX 28)	1
-	1450 2468	ROD & WIRE ASSEMBLY	1
-	1450 2470C	NUT, Packing	1
-	204SX 24 *	KIT, Service (Includes Key Letters H, U, W, AM, AP, AZ, BC, BJ, BK, BQ & BY)	1

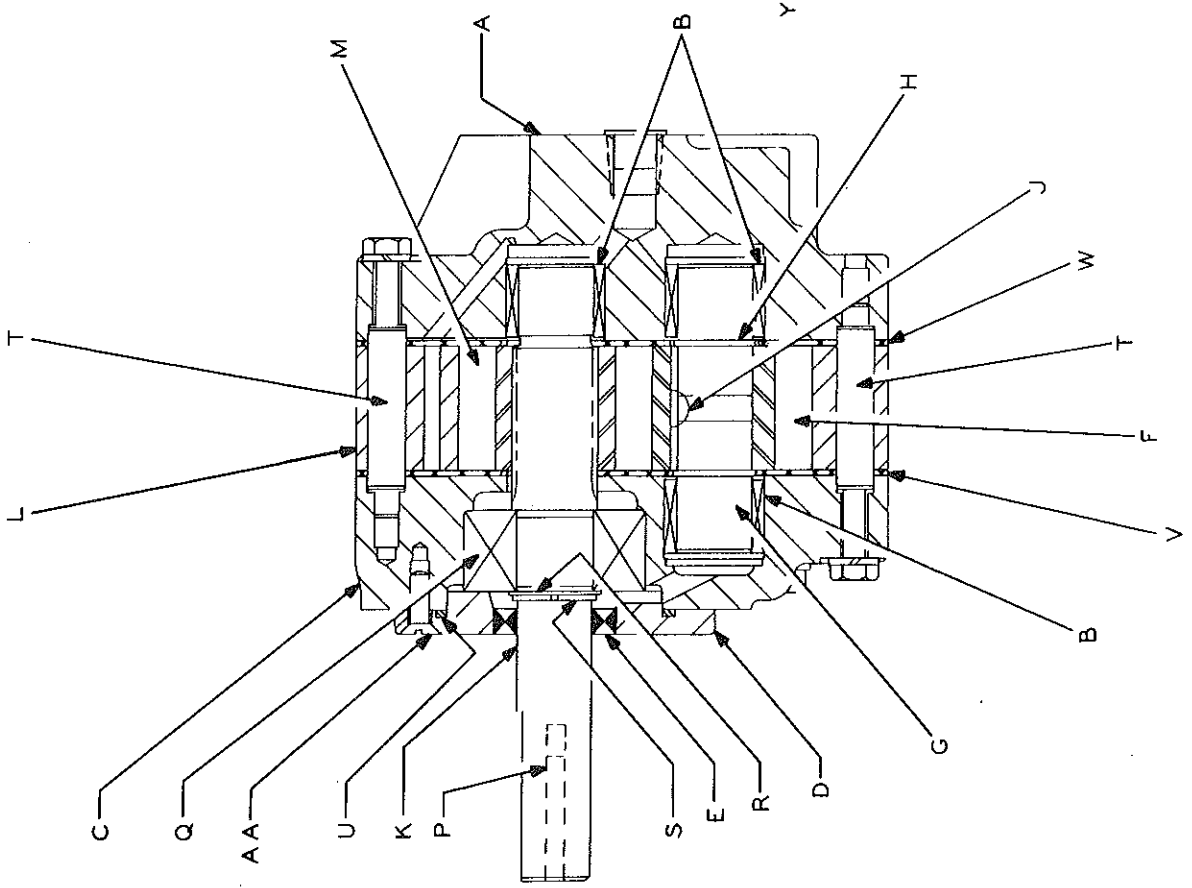
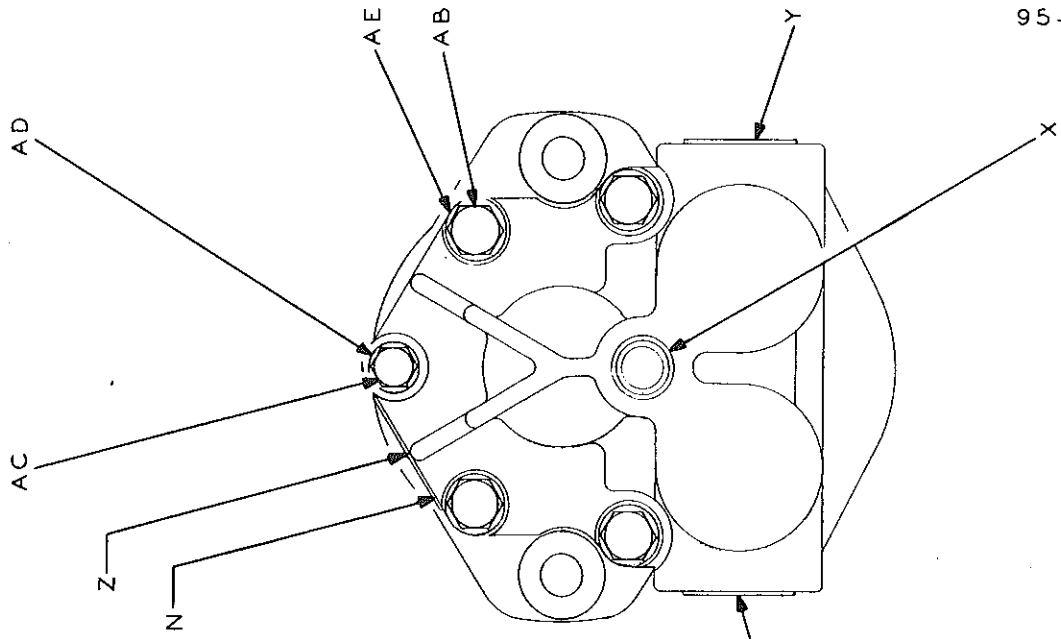
\*When Ordering Service Kit Specify Oil Seal #1766.

MACK CHASSIS NUMBER must always be given with PART NUMBER when ordering.

### COMPONENT PARTS

95RS 218  
HYDRAULIC MOTOR

95-1819-131



IK

10/19/64 sr-mes

#1-2

**COMPONENT PARTS**  
 95RS 218  
HYDRAULIC MOTOR (Cont.)

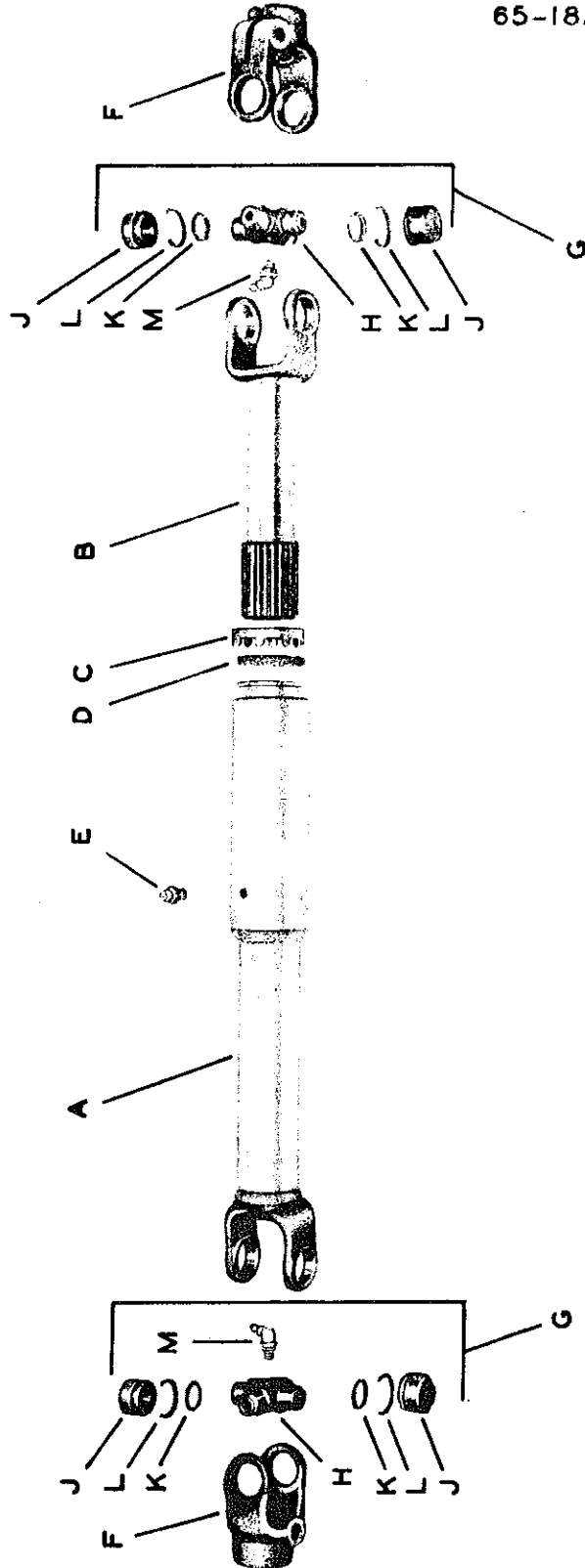
KEY	PART NUMBER	DESCRIPTION	NO. REQ.
A	9225 150-16751-19	COVER ASSEMBLY	1
		Includes:	
B	9225 151-30621	BEARING, Needle	3
C	9225 150-16877-8	BODY ASSEMBLY	1
D	9225 150-16865-4	PIATE ASSEMBLY, Pilot	1
		Includes:	
E	9225 151-26813	SEAL, Oil	1
F	9225 151-20359-6	GEAR, Idler	1
G	9225 151-20357	SHAFT, Idler	1
H	9225 29650-17	RING, Retaining	2
J	9225 29620-10	KEY, Idler Shaft Woodruff	1
K	9225 151-23609	SHAFT, Drive	1
L	9225 151-20354-4	PLATE, Gear	1
M	9225 151-23359-2	GEAR, Drive	1
N	9225 151-24286	NAMEPLATE	1
P	9225 151-17665	KEY, Drive Shaft	1
Q	9225 151-30623	BEARING, BALL, Drive Shaft	1
R	9225 29602-132	WASHER, Drive Shaft Bearing Space	1
S	9225 29650-3	RING, Drive Shaft Bearing Retaining	1
T	9225 151-12555-19	PIN, Gear Plate Dowel	2
U	9225 29771-138	"O" RING, Pilot Plate Assembly	1
V	9225 151-22105-1	PLATE, Wear (Open End of Pump)	1
W	9225 151-22105	PLATE, Wear (Closed End of Pump)	1
X	9225 29701-1	PLUG, Cover	1
Y	9225 29701-4	PLUG, Cover (Side of Cover)	2
Z	9225 29549-4	SCREW, Nameplate Drive	2
AA	9225 29520-33	SCREW, Pilot Plate flat Hd. Machine	3
AB	9225 29530-35	SCREW, Cover Hex. hd. Cap	6
AC	9225 29530-21	SCREW, Cover Hex. hd. Cap	2
AD	9225 29601-11	WASHER, Lock, Cover Screw	2
AE	9225 29601-12	WASHER, Lock, Cover Screw	6

THIS REPLACES ALL COPIES DATED PRIOR TO MAY 2, 1963,  
MACK CHASSIS NUMBER must always be given with PART NUMBER when ordering.

### COMPONENT PARTS

65RUA 317P1,P2,P3,P4 & P5  
STEERING SHAFT ASSEMBLY

65-1821-1



IK

**COMPONENT PARTS**

65RUA 317P1, P2, P3, P4 & P5

STEERING SHAFT ASSEMBLY

KEY	PART NUMBER	DESCRIPTION	NO. REQ.
A	367SL 25	YOKE, Tube & Sleeve Assembly, Steer. Shaft (For P1)(Blood Bros.)	1
A	367SL 26	YOKE, Tube & Sleeve Assembly, Steer. Shaft (For P2)(Blood Bros.)	1
A	367SL 27	YOKE, Tube & Sleeve Assembly, Steer. Shaft (For P3)(Blood Bros.)	1
A	367SL 28	YOKE, Tube & Sleeve Assembly, Steer. Shaft (For P4)(Blood Bros.)	1
A	367SL 40	YOKE, Tube & Sleeve Assembly, Steer. Shaft (For P4)(Spicer)	1
A	367SL 31	YOKE, Tube & Sleeve Assembly, Steer. Shaft (For P5)(Blood Bros.)	1
A	367SL 35	YOKE, Tube & Sleeve Assembly, Steer. Shaft (For P5)(Spicer)	1
B	481SL 22	YOKE, Spline Plug (For P1)(Blood Bros.)	1
B	481SL 23	YOKE, Spline Plug (For P2)(Blood Bros.)	1
B	481SL 24	YOKE, Spline Plug (For P3)(Blood Bros.)	1
B	481SL 25	YOKE, Spline Plug (For P4)(Blood Bros.)	1
B	481SL 31	YOKE, Spline Plug (For P4)(Spicer)	1
B	481SL 26	YOKE, Spline Plug (For P5)(Blood Bros.)	1
B	481SL 27	YOKE, Spline Plug (For P5)(Spicer)	1
C	47SL 15	CAP, Dust (For P1 to P5)(Blood Bros.)	1
C	41SJ 37	CAP, Dust (For P4 & P5)(Spicer)	1
D	445SL 35	WASHER, Felt (For P1 to P5)(Blood Bros.)	1
D	441SJ 54	WASHER, Cork (For P4 & P5)(Spicer)	1
D-1	445SL 36	WASHER, Metal (For P1 to P5)(Blood Bros.)	1
E	---	FITTING, #1641B Hyd. Straight 1/4-28 NF (44AX 114)	1
F	481SL 21	YOKE, Clamp (For P1 to P5)(Blood Bros.)	2
F	482SJ 59	YOKE, Clamp (For P4)(Spicer)	2
F	481SL 28	YOKE, Clamp (For P5)(Spicer)	2
G	206SL 13	KIT, Joint Repair (For P1 to P5)(Blood Bros.)	2
G	206SL 14	KIT, Joint Repair (For P4 & P5)(Spicer)	2
H		Consists of:	
J	21SL 79	JOURNAL	2
J	21SJ 48	BEARING (For P1 to P5)(Blood Bros.)	8
K	445SL 31	BEARING (For P4 & P5)(Spicer)	8
L	341SL 31	WASHER (For P1 to P5)(Blood Bros.)	8
L	341SJ 37	RING, Snap (For P1 to P5)(Blood Bros.)	8
M	---	RING, Snap (For P4 & P5)(Spicer)	8
		FITTING, #1612B Hyd. 67-1/2 <sup>o</sup> -1/8" (44AX 64)	2

THIS REPLACES ALL COPIES DATED PRIOR TO MAY 11, 1965.

\*Not Furnished Separately.

# Mack PARTS BOOK

## INDEX

### GROUP #11 - REAR AXLE

The Following Variations Apply to this Group

KEY					
ILLUSTRATION NO.	PART NUMBER	DESCRIPTION	GROUP	SECTION	PAGE
1-176-134	1QF 5538P2 5539P2	FORWARD & REAR REAR AXLE ARRGT	11A	156B	11A-156-2
Same as Standard Except for the Following:					
A	14QJ 33P2	RIM ASSY, Spoke Wheel (10.00/22 Tire)		2	
B	14QJ 214P2	RING, Side		1	
C	14QJ 213AP1	RING, Lock		1	
-	9QJ 1104	REAR WHEEL & DRUM ASSY (See Group 11E Section 57)			
1-176-90	1QF 4120P1 4121P1	FORWARD REAR & REAR REAR AXLE ARRG T (DEAD)	11A	170A	11A-170-1
Same as Standard Except for the Following:					
A	14QJ 33P2	RIM ASSY, Spoke Wheel (10.00/22 Tire)		2	
B	14QJ 214P2	RING, Side		1	
C	14QJ 213AP1	RING, Lock		1	
9-1710-9	9QJ 1107	REAR WHEEL & DRUM ASSY	11E	39P	11E-39-2
Same as Standard Except for the Following:					
A	15QJ 223BP5	LUG, Rim Clamping		6	
D	---	RIM, Rear Wheel (See Group 11A Index)			
E	16QJ 221P8	SPACER, Rim		1	

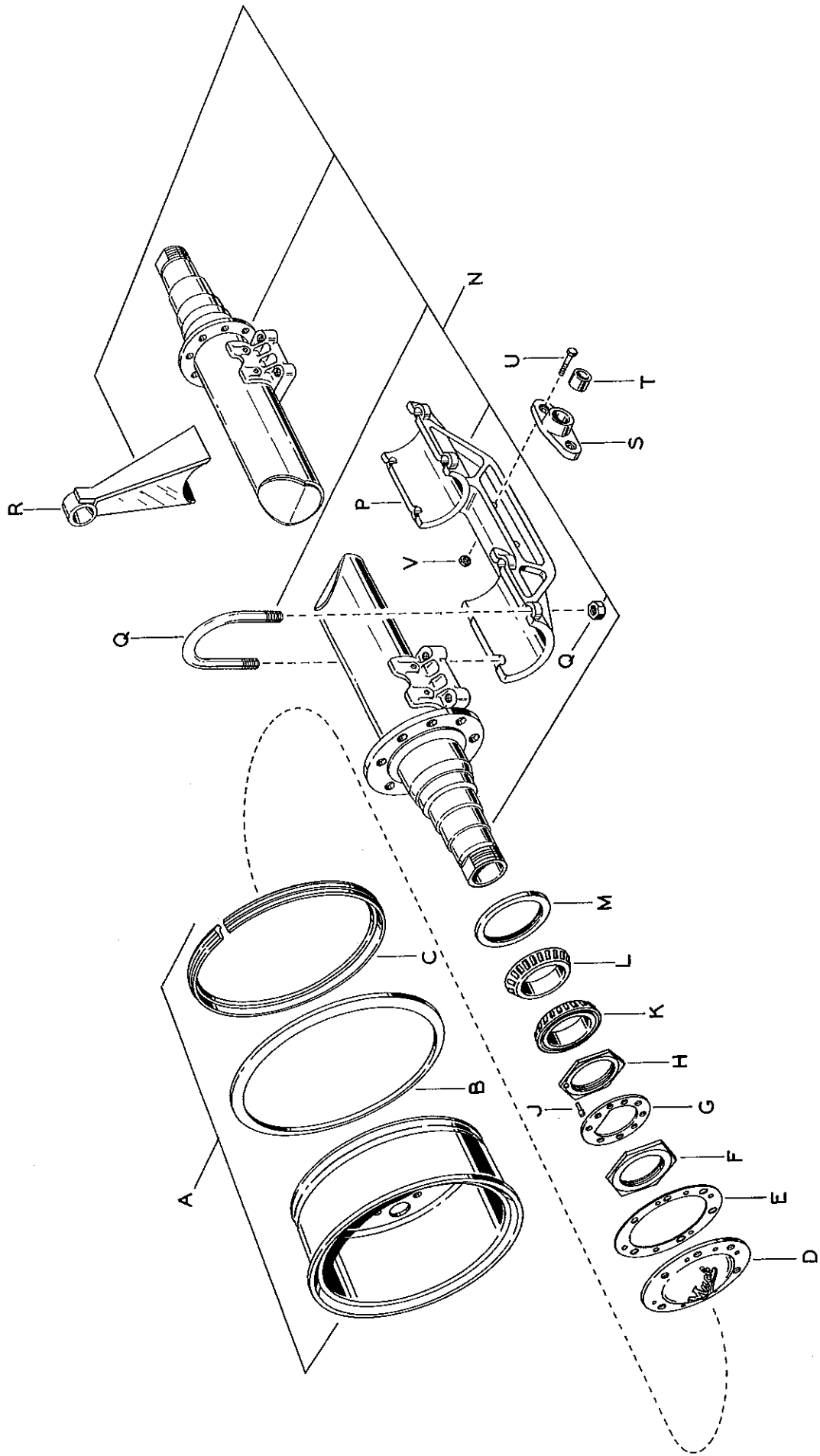
### COMPONENTS

15KN 32	1QD 545P2
1QD 4127P2	47SM 44
1QD 4128P2	47SM 49
1QD 544P1	47SM 50
1QD 544P2	
1QD 545P1	



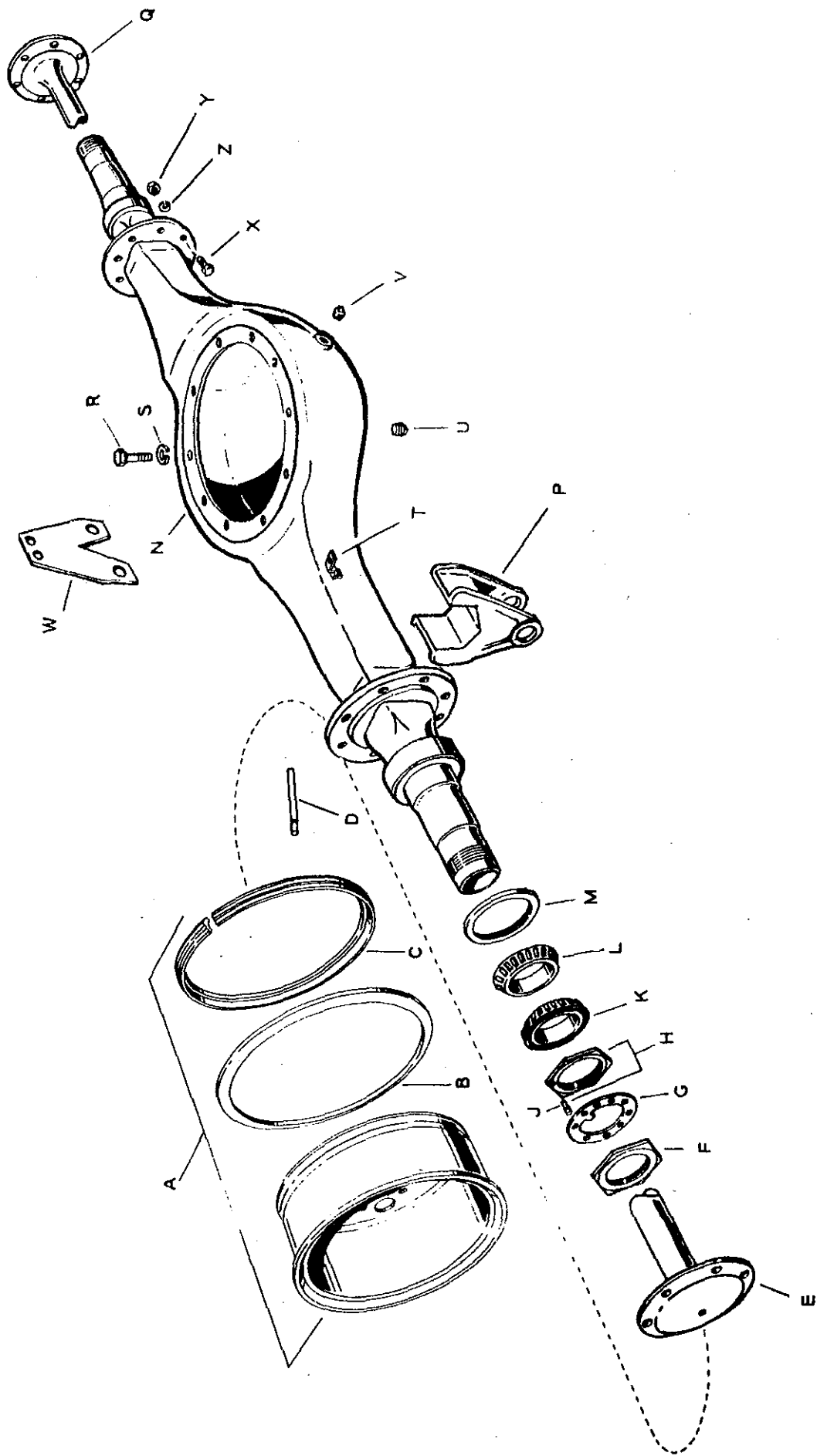
4248A 12/8/65 ejm-jd PAGE #11-1

CHASSIS NUMBER must always be given with PART NUMBER when ordering.



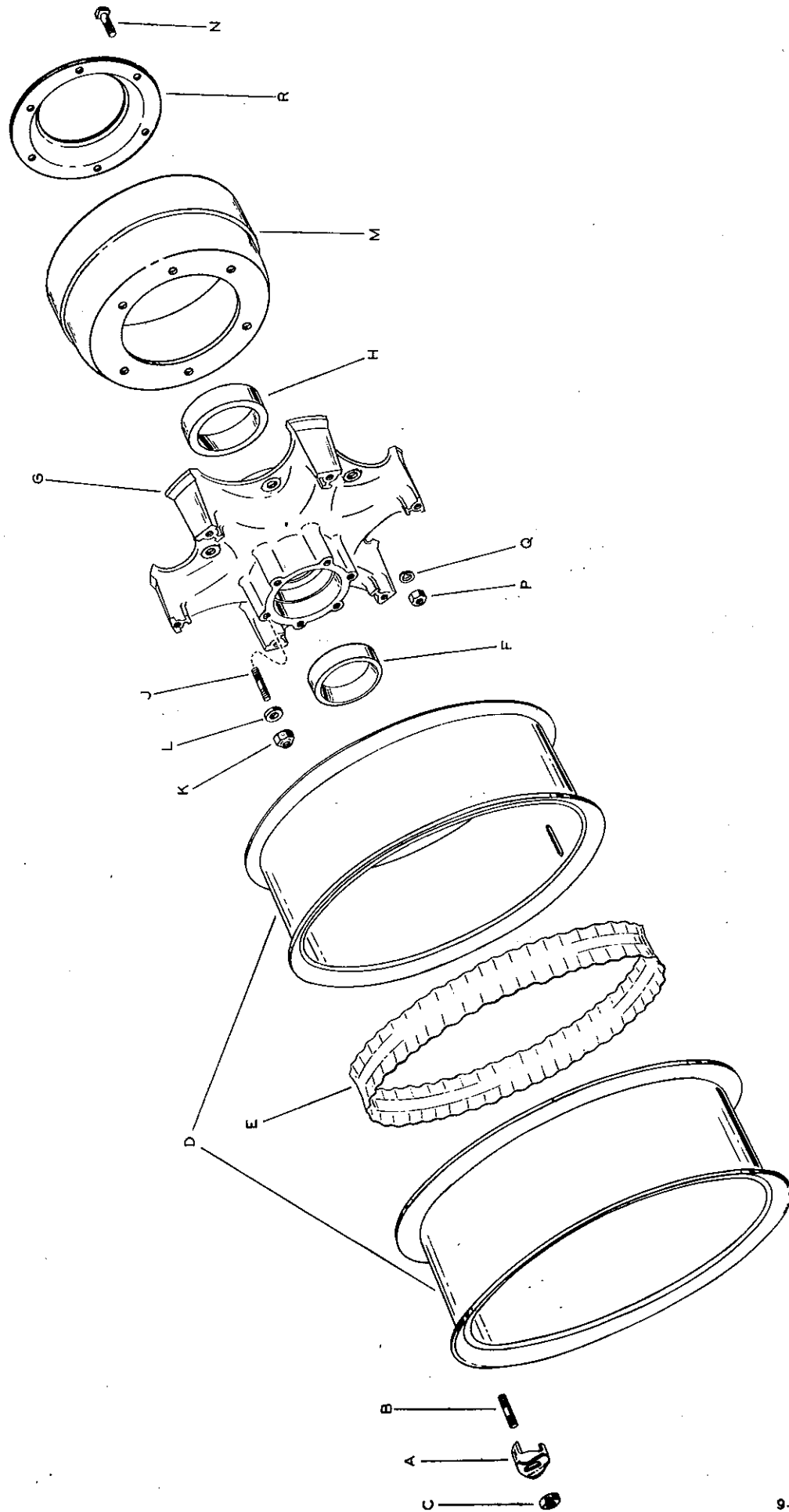
FORWARD REAR AXLE



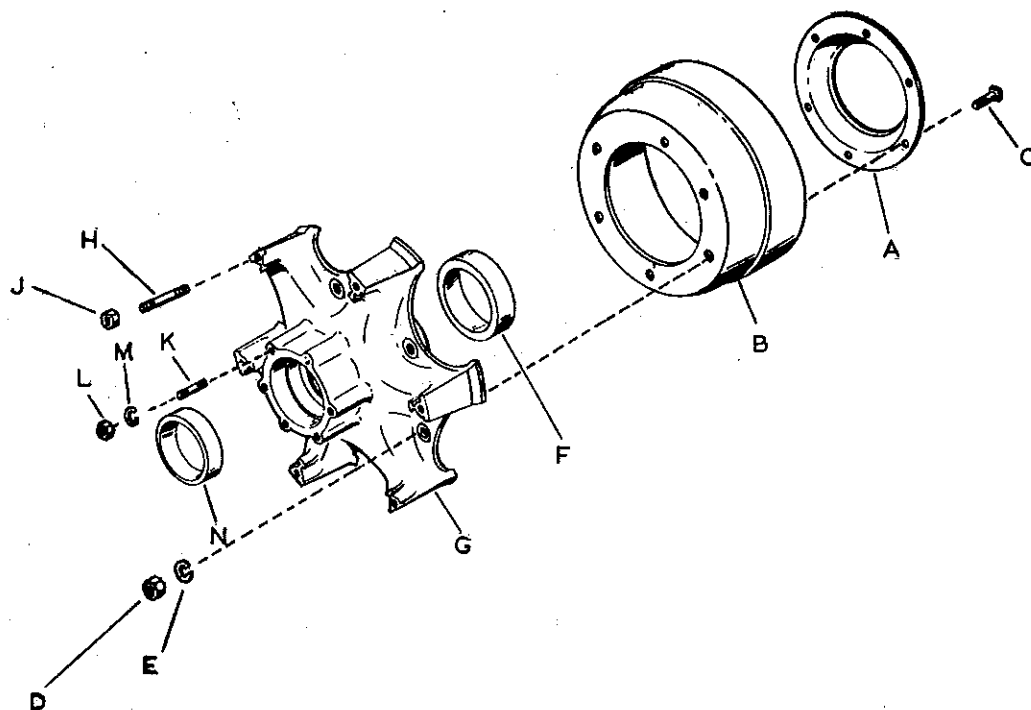


REAR AXLE ARRANGEMENT

IK



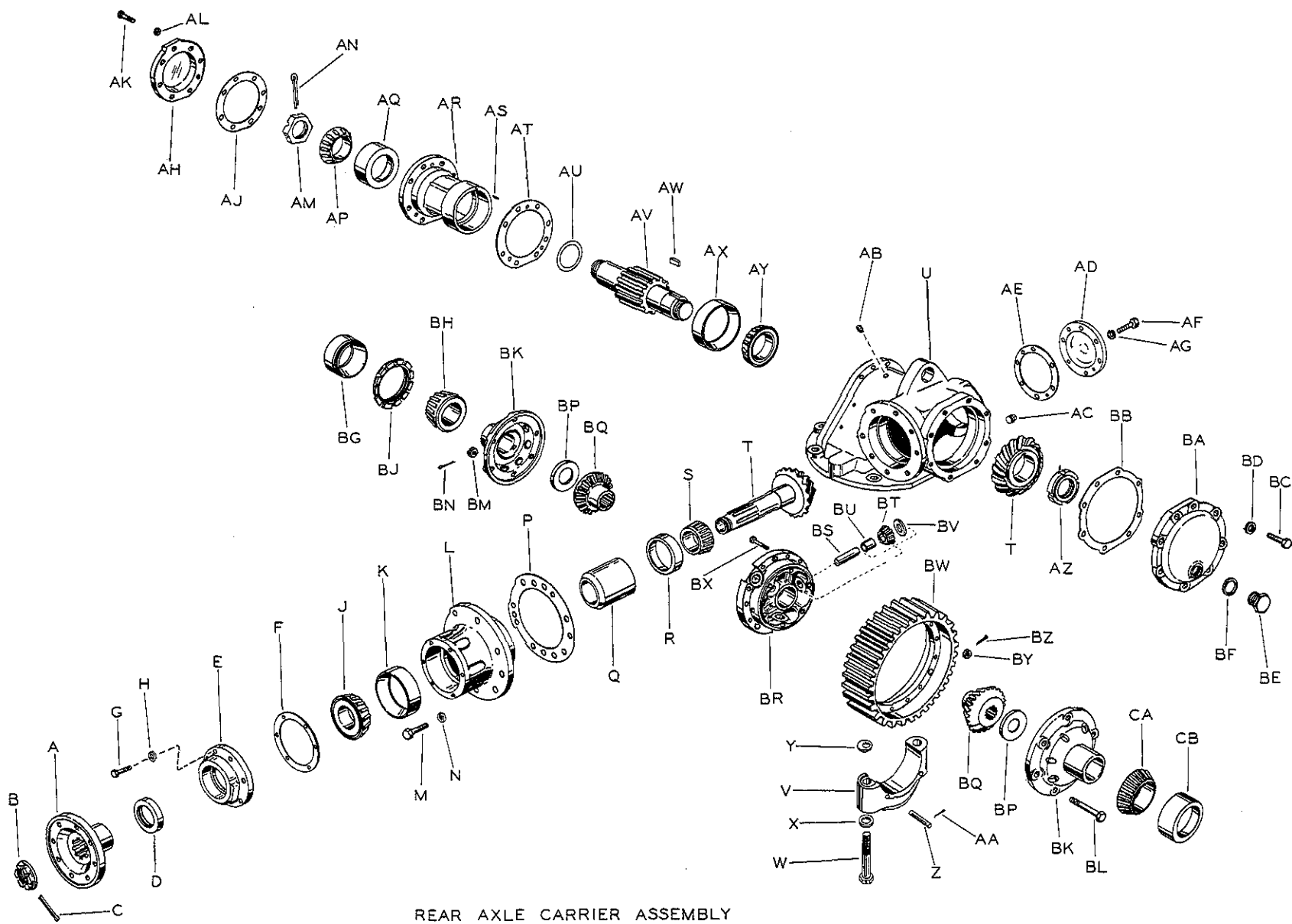
REAR WHEEL & DRUM ASSEMBLY



WHEEL AND DRUM ASSEMBLY

9-1710-13





REAR AXLE CARRIER ASSEMBLY

# MACK TRUCK-TRACTOR PARTS BOOK

GROUP #11 - AXLE CARRIER ASSEMBLY (CRDP92)  
SECTION 83

NOTE: Key Letters Indicated on Illustration #11-118-111

KEY	PART NUMBER	DESCRIPTION	NO. REQ.
<u>SECTION 83A - 11KHA 5120 (10.03 Ratio)</u>			
CARRIER PART NUMBER DOES <u>NOT</u> INCLUDE DRIVE FLANGE OR DRIVE YOKE.			
A	---	FLANGE, Drive (Front) (See Group 9)	
B	21AX 351	Attaching Parts: NUT, 1-1/2-12	
C		COTTER PIN, (See Group 9)	
D	88AX 341P2	SEAL, Drive Flange Oil (Front)	1
E	49KH 29	COVER, Power Divider Bearing Retainer	1
F	50KH 24P1	Attaching Parts: GASKET (.031 thick)	1
F	50KH 24P2	GASKET (.010 thick)	1
G		SCREW, Cap, hex. hd. 3/8-16 NC x 1-1/4 (1" thd) (4AX 16)	6
H		WASHER, Lock, medium 3/8 I.D. (36AX 3)	6
J	46AX 73	BEARING, Power Divider Ball	1
K	53KH 385	RETAINER, Power Divider Front Bearing	1
L	50KH 249	Attaching Parts: GASKET, Retainer	1
M		SCREW, Cap, hex. hd. 7/16-14 NC x 1-1/8 (Full thd) (4AX 49)	6
N		WASHER, Lock, medium 7/16 I.D. (36AX 4)	6
P	33KN 335A	CAGE, Power Divider Driving	1
Q	35KN 17A	RING, Power Divider Wedge Retainer (Outer)	1
R	35KN 16A	RING, Power Divider Wedge Retainer (Inner)	1
S	30KNA 12	WEDGE, Power Divider	1
T	31KN 332	CAM, Power Divider (Male)	1
U	23AX 172	NUT, Bevel Pinion	1
V		Attaching Parts: COTTER PIN, Stl. 5/32 x 3/4 (29AX 63)	1
W	91KH 12	BEARING, Power Divider Pilot	1
X	32KN 221	CAM, Power Divider (Female)	1
Y	62AX 49	CONE, Bevel Pinion Bearing (Front)	1
Z	64AX 52	CUP, Bearing (Front)	1
AA	36KNA 11	HOUSING ASSEMBLY, Power Divider	1
(Z)	64AX 52	Includes: CUP, Bearing (Front)	1
(AJ)	64AX 89	CUP, Bearing (Rear)	1
AB	6AX 282	Attaching Parts: SCREW, (5/8 x 1-3/4)	6
AC		WASHER, Lock, medium 5/8 I.D. (36AX 7)	6

# MACK TRUCK-TRACTOR PARTS BOOK

GROUP #11 - AXLE CARRIER ASSEMBLY (CRDP92)  
SECTION 83 (Cont)

KEY	PART NUMBER	DESCRIPTION	NO. REQ.
<u>SECTION 83A - 1LKHA 5120 (10.03 Ratio)</u> (Continued)			
AD	49AX 135	PLUG, Power Divider Housing Filler	1
AE	39AX 21	Attaching Parts: GASKET, Filler Plug	1
AF		PLUG, sq. hd. Iron 1/2 NPT, Power Divider Housing Drain (63AX 1)	1
AG	51KH 263P10	SHIM, Bevel Pinion Adjusting (.010)	AR
AG	51KH 263P12	SHIM, Bevel Pinion Adjusting (.012)	AR
AG	51KH 263P15	SHIM, Bevel Pinion Adjusting (.015)	AR
AG	51KH 263P31	SHIM, Bevel Pinion Adjusting (.031)	AR
AH	52KH 195	SPACER, Bevel Pinion Bearing	1
AJ	64AX 89	CUP, Bearing (Rear)	1
AK	62AX 172	CONE, Bevel Pinion Bearing (Rear)	1
AL	24KHA 143A	GEAR ASSEMBLY, Bevel Mating	1
AM	64KHA 363B	HOUSING ASSEMBLY, Carrier	1
		Includes:	
AN	41KH 351A	CAP, Differential Bearing (L.H.)	1
AN	41KH 352A	CAP, Differential Bearing (R.H.)	1
		Attaching Parts:	
AP	6AX 773	SCREW (3/4 x 5)	4
AQ	35AX 1251	WASHER, Flat (25/32 I.D.)	4
AR	37AX 98	WASHER, Differential Bearing	2
AS	541KB 16	BREATHER, Housing	1
AT	31AX 59	PIN, Differential Bearing Adjusting Nut	1
		Attaching Parts:	
AU		COTTER PIN, Stl. 1/8 x 1-1/2 (29AX 5)	1
AV		PLUG, Sq. hd. Iron 1/2 NPT Carrier Housing Drain (63AX 1)	1
AW	90KH 21D	SHAFT, Inter-Axle Drive	1
		Includes:	
-	96KH 13	SPRING	1
AX	11KD 12	SLINGER, Center Axle Thru Shaft Oil	
AY	53KH 225P1	RETAINER, Drive Shaft Bearing	1
		Includes:	
-	88KH 12P1	TUBE, Inter-Axle Drive Shaft Oil	1
		Attaching Parts:	
AZ	50KH 252P1	GASKET, Retainer	1
BA	46AX 199	BEARING, Inter-Axle Drive Shaft Ball	1

# MACK TRUCK-TRACTOR PARTS BOOK

GROUP #11 - AXLE CARRIER ASSEMBLY (CRDP92)  
SECTION 83 (Cont)

KEY	PART NUMBER	DESCRIPTION	NO. REQ.
<u>SECTION 83A - 11KHA 5120 (10.03 Ratio)</u> (Continued)			
BB	49KH 211	COVER, Drive Shaft Rear Bearing	1
BC	50KH 252P1	Attaching Parts: GASKET, (.021" thick)	1
BC	50KH 252P2	GASKET, (.010" thick)	AR
BD		SCREW, Cap, hex. hd. 3/8-16 NC x 1-1/2 (1" thd) 4AX 3)	4
BE		WASHER, Lock, medium 3/8 I.D. (36AX 3)	4
BF	88AX 345P2	SEAL, Drive Yoke Oil(Rear)	1
BG	---	FLANGE, Drive (Rear) (See Group 9)	1
BH	23AX 83	Attaching Parts: NUT, 1-1/4-12	1
BJ		COTTER PIN, (See Group 9)	1
BK	57KH 229	COVER, Pinion Shaft Bearing	1
		Attaching Parts:	
BL	50KH 248	GASKET	1
BM	6AX 750	SCREW (1-1/2 x 3/4)	4
BN		WASHER, Lock, medium 1/2 I.D. (36AX 5)	4
BP	23AX 228	NUT, Spur Pinion Shaft	1
		Attaching Parts:	
BQ		COTTER PIN, Stl, 1/8 x 2-3/4 (29AX 26)	1
BR	62AX 188	CONE, Pinion Shaft Bearing (Outer)	1
BS	64AX 90	CUP, Bearing	1
BT	53KH 255	RETAINER ASSEMBLY, Pinion Shaft	1
		Includes:	
(BS)	64AX 90	CUP, Bearing	1
BU	51KH 264P10	SHIM, Pinion Shaft Bearing Retainer Adjusting (.010)	AR
BU	51KH 264P12	SHIM, Pinion Shaft Bearing Retainer Adjusting (.012)	AR
BU	51KH 264P15	SHIM, Pinion Shaft Bearing Retainer Adjusting (.015)	AR
BU	51KH 264P31	SHIM, Pinion Shaft Bearing Retainer Adjusting (.031)	AR
BV	55KH 124P1	SHIM, Pinion Shaft Bearing Adjusting (.003)	AR
BV	55KH 124P2	SHIM, Pinion Shaft Bearing Adjusting (.005)	AR
BV	55KH 124P3	SHIM, Pinion Shaft Bearing Adjusting (.016)	AR
BV	55KH 124P4	SHIM, Pinion Shaft Bearing Adjusting (.031)	AR
BW	31AX 57	PIN, Pinion Shaft Bearing Retainer	1
BX	56KH 37B	SHAFT, Spur Pinion	1
BY	42AX 286	KEY, Bevel Gear & Pinion Shaft	1



# MACK TRUCK-TRACTOR PARTS BOOK

GROUP #11 - AXLE CARRIER ASSEMBLY (CRDP92)  
SECTION 83 (Cont)

KEY	PART NUMBER	DESCRIPTION	NO. REQ.
<u>SECTION 83A - 11KHA 5120 (10.03 Ratio)</u> (Continued)			
BZ	64AX 268	CUP, Pinion Shaft Bearing (Inner)	1
CA	62AX 174	CONE, Pinion Shaft Bearing (Inner)	1
CB	21AX 648	NUT, Bevel Gear	1
CC	84KH 36	COVER, Bevel Gear Compartment Side	1
CD	85KH 21A	Attaching Parts:	
CE		GASKET, Bevel Gear Cover	1
CF		SCREW, Cap, hex. hd. 3/8-16 NC x 1 (Full thd) (4AX 1)	9
CG	49AX 135	WASHER, Lock, medium 3/8 I.D. (36AX 3)	9
CH	39AX 21	PLUG, Bevel Gear Compartment Side Cover Filler	1
CJ	64AX 176	Attaching Parts:	
CK	43KH 223	GASKET	1
CL	62AX 301	CUP, Differential Bearing (R.H.)	1
CM	31KH 31A	NUT, Differential Bearing Retainer	1
CN	72KH 16	CONE, Differential Bearing (R.H.)	1
CP	21AX 173	COVER, Differential Casing	2
CQ		Attaching Parts:	
CR	38KH 113	BOLT, Differential Casing Cover	6
CS	34KH 24B	NUT, Differential Casing (9/16-18)	6
CT	30KH 317B	COTTER PIN, Stl, 1/8 x 1 (29AX 12)	6
CU	39KH 11B	WASHER, Differential Bevel Gear Thrust	2
CV	33KHA 123	GEAR, Differential Side	2
CW	80AX 750	CASING, Differential	1
CX	37KH 134	STUD, Differential Pinion	3
CY	61KH 38BP2	PINION & BUSHING ASSEMBLY, Differential Bevel	3
CZ	3AX 1215	Includes:	
DA	21AX 269	BUSHING, Differential Pinion	3
DB		WASHER, Differential Pinion Thrust	3
DC	62AX 301	GEAR, Bull	1
DD	64AX 177	Attaching Parts:	
-	15KNA 32	SCREW, Bull Bear (1-1/2 x 13/32)	12
		NUT, Bull Gear (1/2-20)	12
		COTTER PIN, Stl. 3/32 x 1 (29AX 3)	12
		CONE, Differential Bearing (L.H.)	1
		CUP, Differential Bearing (L.H.)	1
		POWER DIVIDER AIR LOCKOUT ASSEMBLY (For Changeover to Air Lockout) (For Components, see back of Group)	1

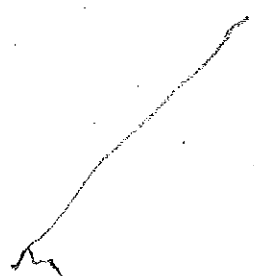


TITLE AXLE CARRIER ASSEMBLY (CRDP92)

(Continued)

Quantity used is 1 unless otherwise specified in brackets ( ).

KEY	PART NUMBER	DESCRIPTION	KEY	PART NUMBER	DESCRIPTION
<u>SECTION 83B - 11KHA 5120AP1(10.03R)</u>					
Same as Section 83A Except					
AL	24KH 143B	GEAR ASSY, Mat			
AL-1	297KB 116	CLAMP, Pin Shft Brg			
AL-2	3AX 1672	SCREW (3)			
BP	Omit				
BQ	Omit				



# MACK TRUCK-TRACTOR PARTS BOOK

GROUP #11 - AXLE CARRIER ASSEMBLY (CRD93)  
SECTION 84

NOTE: Key Letters Indicated on Illustration #11-118-112

KEY	PART NUMBER	DESCRIPTION	NO. REQ.
<u>SECTION 84A - 11KHA 5121 (10.03 Ratio)</u>			
CARRIER PART NUMBER DOES NOT INCLUDE DRIVE FLANGE OR DRIVE YOKE.			
A	---	FLANGE, Drive (See Group 9)	
B	21AX 351	Attaching Parts: NUT, 1-1/2-20	1
C		COTTER PIN, (See Group 9)	
D	88AX 341P2	SEAL, Drive Flange Oil	1
E	49KH 271	COVER, Bevel Pinion Housing	1
F	50KH 24P1	Attaching Parts: GASKET (1/32 thick)	1
F	50KH 24P2	GASKET (1/64 thick)	1
G		SCREW, Cap, hex. hd. 3/8-16 NC x 1 (Full thd) (4AX 1)	6
H		WASHER, Lock, medium 3/8 I.D. (36AX 3)	6
J	62AX 173	CONE, Bevel Pinion Bearing (Front)	1
K	64AX 52	CUP, Bevel Pinion Bearing (Front)	1
L	48KHA 11	HOUSING ASSEMBLY, Bevel Pinion	1
(K)	64AX 52	Includes: CUP, Bevel Pinion Bearing (Front)	1
(R)	64AX 89	CUP, Bevel Pinion Bearing (Rear)	1
M	6AX 282	Attaching Parts: SCREW (5/8 x 1-3/4)	6
N		WASHER, Lock, medium 5/8 I.D. (36AX 7)	6
P	51KH 263P10	SHIM, Bevel Pinion Adjusting (.010")	AR
P	51KH 263P12	SHIM, Bevel Pinion Adjusting (.012")	AR
P	51KH 263P15	SHIM, Bevel Pinion Adjusting (.015")	AR
P	51KH 263P31	SHIM, Bevel Pinion Adjusting (.031")	AR
Q	52KH 195	SPACER, Bevel Pinion Bearing	1
R	64AX 89	CUP, Bevel Pinion Bearing (Rear)	1
S	62AX 172	CONE, Bevel Pinion Bearing (Rear)	1
T	24KHA 148A	GEAR ASSEMBLY, Bevel Mating	1
U	64KHA 363B	HOUSING ASSEMBLY, Carrier	1
V	41KH 351A	Includes: CAP, Differential Bearing (L.H.)	1
V	41KH 352A	CAP, Differential Bearing (R.H.)	1
W	6AX 773	Attaching Parts: SCREW	4
X	35AX 1251	WASHER (25/32 I.D.)	4
Y	37AX 98	WASHER, Differential Bearing	2

# MACK TRUCK-TRACTOR PARTS BOOK

GROUP #11 - AXLE CARRIER ASSEMBLY (CRD93)  
SECTION 84 (Cont)

KEY	PART NUMBER	DESCRIPTION	NO. REQ.
<u>SECTION 84A - 11KHA 5121 (10.03 Ratio)</u> (Continued)			
Z	31AX 59	PIN, Differential Bearing Adjusting Nut	1
AA		Attaching Parts:	
AB	541KB 15	COTTER PIN, Stl. 1/8 x 1-1/2 (29AX 5)	1
AC		BREATHER, Housing	1
AD	57KH 231A	PLUG, Sq. hd. Iron 1/2 NPT, Carrier Housing Drain (63AX 1)	1
AE	50KH 252P1	COVER, Rear Axle Carrier	1
AF		Attaching Parts:	
AG		GASKET (.021 thick)	1
AH	57KH 229	SCREW, Cap, hex. hd. 3/8-16 NC x 7/8 (Full thd) (4AX 58)	8
AJ	50KH 248	WASHER, Lock, medium 3/8 I.D. (36AX 3)	8
AK	6AX 750	COVER, Pinion Shaft Bearing	1
AL		Attaching Parts:	
AM	23AX 228	GASKET	1
AN		SCREW (1-1/2-3/4)	4
AP	62AX 188	WASHER, Lock, medium 1/2 I.D. (36AX 5)	4
AQ	64AX 90	NUT, Spur Pinion Shaft	1
AR	53KH 255	Attaching Parts:	
(AQ)	64AX 90	COTTER PIN, Stl, 1/8 x 2-3/4 (29AX 26)	1
AS	31AX 57	CONE, Pinion Shaft Bearing (Outer)	1
AT	51KH 264P10	CUP, Bearing (Outer)	1
AT	51KH 264P12	RETAINER & CUP ASSEMBLY, Pinion Shaft	1
AT	51KH 264P15	Includes:	
AT	51KH 264P31	CUP, Bearing	1
AU	55KH 124P1	PIN, Pinion Shaft Bearing Retainer	1
AU	55KH 124P2	SHIM, Spur Pinion Shaft Bearing Retainer (.010")	AR
AU	55KH 124P3	SHIM, Spur Pinion Shaft Bearing Retainer (.012")	AR
AU	55KH 124P4	SHIM, Spur Pinion Shaft Bearing Retainer (.015")	AR
AV	56KH 37B	SHIM, Spur Pinion Shaft Bearing Retainer (.031")	AR
AW	42AX 286	SHIM, Spur Pinion Shaft Bearing Adjusting (.003")	AR
		SHIM, Spur Pinion Shaft Bearing Adjusting (.005")	AR
		SHIM, Spur Pinion Shaft Bearing Adjusting (.016")	AR
		SHIM, Spur Pinion Shaft Bearing Adjusting (.031")	AR
		SHAFT, Spur Pinion	1
		KEY, Bevel Gear & Pinion Shaft	1

# MACK TRUCK-TRACTOR PARTS BOOK

GROUP #1.1 - AXLE CARRIER ASSEMBLY (CRD93)  
SECTION 84 (Cont)

KEY	PART NUMBER	DESCRIPTION	NO. REQ.
<u>SECTION 84A - 11KHA 5121 (10.03 Ratio)</u> (Continued)			
AX	64AX 268	CUP, Pinion Shaft Bearing (Inner)	1
AY	62AX 174	CONE, Pinion Shaft Bearing (Inner)	1
AZ	21AX 648	NUT, Bevel Gear	1
BA	84KH 36	COVER, Bevel Gear Compartment Side	
BB	85KH 21A	Attaching Parts: GASKET, Bevel Gear Cover	1
BC		SCREW, Cap, hex. hd. 3/8-16 NC x 1 (Full thd) (4AX 1)	9
BD		WASHER, Lock, medium 3/8 I.D. (36AX 3)	9
BE	49AX 135	PLUG, Bevel Gear Compartment Side Cover Oil	1
BF	39AX 21	Attaching Parts: GASKET, Compartment Side Cover Oil Plug	1
BG	64AX 176	CUP, Differential Bearing (R.H.)	1
BH	62AX 301	CONE, Differential Bearing (R.H.)	1
BJ	43KH 223	NUT, Differential Bearing Adjusting	1
BK	31KH 31A	COVER, Differential Casing	2
BL	72KH 16	Attaching Parts: BOLT, Differential Casing Cover	6
BM	21AX 173	NUT, Differential Casing (9/16-18)	6
BN		COTTER PIN, Stl, 1/8 x 1 (29AX 12)	6
BP	38KH 113	WASHER, Differential Bevel Gear Thrust	2
BQ	34KH 24B	GEAR, Differential Side	2
BR	30KH 317A	CASING, Differential	1
BS	39KH 11B	STUD, Differential Pinion	3
BT	33KHA 123	PINION & BUSHING ASSEMBLY, Differential Bevel	3
BU	80AX 750	Includes: BUSHING, Differential Pinion	3
BV	37KH 134	WASHER, Differential Pinion Thrust	3
BW	61KH 38BP2	GEAR, Bull	1
BX	3AX 1215	Attaching Parts: SCREW, Bull Gear (1/2 x 13/32)	12
BY	21AX 269	NUT, Bull Gear (1/2-20)	12
BZ		COTTER PIN, Stl. 3/32 x 1 (29AX 3)	12
CA	62AX 301	CONE, Differential Bearing (L.H.)	1
CB	64AX 177	CUP, Differential Bearing (L.H.)	1
<u>SECTION 84B - 11KHA 5121AP1 (10.03 Ratio)</u> Same as Section 84A Except			
T	24KH 148B	GEAR ASSY, Mating	1
T-1	297KB 116	CLAMP, Pinion Shaft Bearing	1
T-2	3AX 1672	SCREW	3
AM	Omit		
AN	Omit		

Illustration #1-176-134.

KEY	PART NUMBER	DESCRIPTION	NO. REQ.
		SECTION 156A - 1QFA 5538P1-Forward (SWD731) 5539P1-Rear (SWD731)	
A	13QJ 337	WHEEL COMPLETE, Steel Disc (10.00/22.5) (Tubeless Tire)	4
A	13QJ 338	WHEEL COMPLETE, Steel Disc (11.00/22.5) (Tubeless Tire)	4
A	13QJ 339	WHEEL COMPLETE, Steel Disc (11.00/24.5) (Tubeless Tire)	4
A	13QJ 342	WHEEL COMPLETE, Steel Disc (12.00/22.5) (Tubeless Tire)	4
A	13QJ 421	WHEEL COMPLETE, Steel Disc (18.00/22.5) (Single Duplex Tire)	2
A	13QJ 210P1	WHEEL ASSEMBLY, Aluminum Disc (10.00/20) Each Includes:	4
B	14QJ 214P1	RING, Side	1
C	14QJ 213AP1	RING, Lock	1
A	13QJ 210P2	WHEEL ASSEMBLY, Aluminum Disc (10.00/22) Each Includes:	4
B	14QJ 214P2	RING, Side	1
C	14QJ 213AP2	RING, Lock	1
A	13QJ 331P1	WHEEL ASSEMBLY, Steel Disc (9.00/20) Each Includes:	4
B	14QJ 219P1	RING, Side	1
C	Not Used		
A	13QJ 327AP1	WHEEL ASSEMBLY, High Tensile Steel Disc (10.00/20) Each Includes:	4
B	14QJ 216P1	RING, Side	1
C	Not Used		
A	13QJ 327AP2	WHEEL ASSEMBLY, High Tensile Steel Disc (10.00/22) Each Includes:	4
B	14QJ 216P2	RING, Side	1
C	Not Used		
A	13QJ 312AP4	WHEEL ASSEMBLY, Steel Disc (11.00/20) Each Includes:	4
B	14QJ 215P1	RING, Side	1
C	14QJ 213AP1	RING, Lock	1
D	32MB 14P4	EXTENSION, Valve Stem (Aluminum Wheel Only)	2
E	68KH 3120AP3	AXLE SHAFT (L.H.)	1
F	21AX 626	NUT, Wheel Bearing Lock Ring Jam	2
G	23QJ 125	LOCK RING, Wheel Bearing Adjusting Nut	2
H	25QJA 138	NUT & PIN ASSEMBLY, Wheel Bearing Adjusting Each Includes:	2
J	33AX 53	PIN	1
K	62AX 159	CONE, Wheel Bearing (Outer)	2
L	62AX 75	CONE, Wheel Bearing (Inner)	2
M	88AX 177	OIL SEAL (Inner)	2
N	2QF 21P209	HOUSING SERVICE ASSEMBLY, Rear Axle	1
P	47QK 4122	BRACKET, Rear Spring Support (R.H.)	1
P	47QK 4123	BRACKET, Rear Spring Support (L.H.)	1
Q	68KH 3120AP2	AXLE, Shaft (R.H.) (See Group 11) Attaching Parts:	1
R	3AX 1665	SCREW, Lock (5/8-18 NF x 2)	13
R	3AX 1372	SCREW, Lock (5/8-18 NF x 1-3/4)	3
S	35AX 682	WASHER, Flat (.656 I.D.)	16
T	77QE 111	SUPPORT, Brake Line	2
U		PLUG, Sq. c/s iron 3/4 NPT, Axle Oil Drain (63AX 27)	1
V	63AX 879	PLUG, Rear Axle Oil Filler	1
W	29QE 189	BRACKET, Air Brake Valve Mounting	1
-	1QDA 4127P1	BRAKE ASSEMBLY, Rear Air (R.H.)	1
-	1QDA 4128P1	BRAKE ASSEMBLY, Rear Air (L.H.) (For Components, see back of Group)	1
X	3AX 1299	Attaching Parts: SCREW (5/8-18 NF) NUT, hex. 5/8-18 NF (20AX 7) WASHER, Lock, 5/8 I.D. (36AX 7)	16
Y			16
Z			16
-	9QJA 2122	REAR WHEEL & DRUM ASSEMBLY (See Group 11E-57)	
-	11QJA 2110 (R.H.)	REAR HUB & DRUM ASSEMBLY, 10.00/22, 10.00/20	
-	11QJA 2111 (L.H.)	(See Group 11F-30)	

KEY	PART NUMBER	DESCRIPTION	NO. REQ.
		5538P1-Forward (SWD731) <u>SECTION 156A - 1QFA 5539P1-Rear (SWD731) (Cont.)</u>	
-	11QJA 2112(R.H.)	REAR HUB & DRUM ASSEMBLY, 9.00/20, 10.00/20, 10.00/22, 11.00/20, 10.00/22.5, 11.00/22.5, 11.00/24.5, 12.00/22.5 & 18.00/22.5 (See Group 11F-25)	
-	11QJA 2113(L.H.)		
		5539P2-Rear (SWD73) <u>SECTION 156B - 1QFA 5538P2-Forward (SWD73)</u> Same as 1QFA 5538P1 & 5539P1 (Section 156A) Except	
-	1QDA 4127P2	BRAKE ASSEMBLY, Rear Air (R.H.)	1
-	1QDA 4128P2	BRAKE ASSEMBLY, Rear Air (L.H.) (For Components, see back of Group)	1
		5539P3-Rear (SWD563) <u>SECTION 156C - 1QFA 5538P3-Forward (SWD563)</u> Same as 1QFA 5538P1 & 5539P1 (Section 156A) Except	
N	2QFA 21P219	HOUSING ASSEMBLY, Rear Axle (Forward)	1
N	2QFA 21P220	HOUSING ASSEMBLY, Rear Axle (Rear)	1
-	1QDA 4127P3	BRAKE ASSEMBLY, Rear Air (R.H.)	1
-	1QDA 4128P3	BRAKE ASSEMBLY, Rear Air (L.H.) (For Components, see back of Group)	1
		5539P4-Rear ((SWD731) <u>SECTION 156D - 1QFA 5538P4-Forward (SWD731)</u> Same as 1QFA 5538P1 & 5539P1 (Section 156A) Except	
N	2QFA 23P22	HOUSING ASSEMBLY, Rear Axle	1
		338P14-Rear (SWD731) <u>SECTION 156E - 1QFA 337P14-Forward (SWD731)</u> Same as 1QFA 5538P1 & 5539P1 (Section 156A) Except	
E	68KH 270AP2	AXLE SHAFT (L.H.)	1
M	32QJ 118	SEAL KIT, Rear Axle Oil	1
N	2QFA 23P22	HOUSING ASSEMBLY, Rear Axle	1
Q	68KH 270AP1	AXLE SHAFT (R.H.)	1
Q-1	49AX 71	PLUG, Magnetic (Rear Axle Shaft)	2
		5538P5-Forward (SWDL564) <u>SECTION 156F - 1QFA 5539P5-Rear (SWDL564)</u> Same as 1QFA 5538P1 & 5539P1 (Section 156A) Except	
N	2QFA 21P219	HOUSING ASSEMBLY, Rear Axle (Forward)	1
N	2QFA 21P220	HOUSING ASSEMBLY, Rear Axle (Rear)	1
		368P1-Forward (SWDL563) <u>SECTION 156G - 1QFA 369P1-Rear (SWDL563)</u> Same as 1QFA 5538P1 & 5539P1 (Section 156A) Except	
E	68KH 270AP2	AXLE, Shaft (L.H.)	1
M	32QJ 118	KIT, Oil Seal Each Consists of:	2
M-1	7843 902-15	RING, Hub	2
M-2	7843 902-16	RING, Axle	2
M-3	7843 902-18	RING, Locating	2
N	2QFA 23P26	HOUSING ASSEMBLY, Rear Axle (Forward)	1
N	2QFA 23P27	HOUSING ASSEMBLY, Rear Axle (Rear)	1
Q	68KH 270AP1	AXLE, Shaft (R.H.)	1
V-1	49AX 71	PLUG, Rear Axle Shaft Magnetic	2
-	1QDA 4127P3	BRAKE ASSEMBLY, Rear Air (R.H.)	1
-	1QDA 4128P3	BRAKE ASSEMBLY, Rear Air (L.H.) (For Components, see back of Group)	1
		368P3-Forward (SWDL564) <u>SECTION 156H - 1QFA 369P3-Rear (SWDL564)</u> Same as 1QFA 5538P1 & 5539P1 (Section 156A) Except	
E	68KH 270AP2	AXLE, Shaft (L.H.)	1

Illustration #1-176-90.

KEY	PART NUMBER	DESCRIPTION	NO. REQ.
		4120P1 - Front	
		SECTION 170A - 1QFA 4121P1-Rear	
A	---	WHEEL ASSEMBLY, Disc	
		Includes:	
B	---	RING, Side	
C	---	RING, Locking	
D	19QJ 2 29	CAP, Hub	2
		Attaching Parts:	
D-1		SCREW, cap, 5/8-18 NF x 1-1/2 (Full thd.)(1AX 231)	12
D-2		WASHER, Lock, 5/8 I.D.(36AX 7)	12
E	94RU 225A	GASKET	
F	21AX 335	NUT, Wheel Bearing Lock Nut Ring	2
G	23QJ 12B	RING, Wheel Bearing Nut Lock	2
H	25QJA 13	NUT & PIN ASSEMBLY, Wheel Bearing Adjusting	2
		Each Includes:	
J	33AX 53	PIN	1
K	62AX 176	CONE, Wheel Bearing (Outer)	2
L	62AX 244	CONE, Wheel Bearing (Inner)	2
M	88AX 65	SEAL, OIL, Wheel Bearing	2
N	13QF 426	AXLE, Complete - Front	1
N	13QF 427	AXLE, Complete - Rear	1
P	} Not Used		
Thru			
V			
-	1QDA 544P1	BRAKE ASSEMBLY, R.H.-Front	1
-	1QDA 545P1	BRAKE ASSEMBLY, L.H.-Front	1
-	1QDA 544P2	BRAKE ASSEMBLY, R.H.-Rear	1
-	1QDA 545P2	BRAKE ASSEMBLY, L.H.-Rear	1
		(For Components, see back of Group)	
		Attaching Parts:	
V-1	3AX 1299	SCREW, cap, 5/8-18 NF	32
V-2		NUT, hex. 5/8-18 NF (20AX 7)	32
V-3		WASHER, Lock, 5/8 I.D.(36AX 7)	32



Illustration #9-1710-9.

KEY	PART NUMBER	DESCRIPTION	NO. REQ.
		<u>SECTION 39A - 9QJA 2109P1</u>	
		<u>Tire Size 10.00/22</u>	
A		LUG, Rear Wheel Clamping (See Group 11G)	6
B	18AX 405	Attaching Parts: STUD, (3/4-10 NC x 3/4-16 NF)	6
C	23AX 393	NUT, (3/4-10 NC)	6
D		RIM, Rear Wheel (See Group 11G)	1
E		SPACER, Rim (See Group 11G)	1
F	64AX 35	CUP, Wheel Bearing (Outer)	1
G	8QJ 3134P1	WHEEL, Rear Spoke	1
H	64AX 73	CUP, Wheel Bearing (Inner)	1
J	18AX 971	STUD, Axle Drive (5/8-18 NF x 5/8-18 NS) Attaching Parts: NUT, Lock (5/8-18 NF)	6
K	21AX 360	WASHER, Plain	6
L	Not Used		
M	17QJ 3182P3	DRUM, Brake Attaching Parts: BOLT, 5/8-18 NF	1
N	3AX 1264	NUT, hex. 5/8-18 NF (20AX 7)	6
P		WASHER, Lock, 5/8 I.D. (36AX 7)	6
Q			6
R	30QJ 239P2	SLINGER, Rear Wheel Oil	1
		<u>SECTION 39B - 9QJA 2109P2</u>	
		Same as 9QJA 2109P1 (Section 39A) Except	
		<u>Tire Size 10.00/22</u>	
G	8QJ 3134P2	WHEEL, Rear Spoke	1
		<u>SECTION 39C - 9QJA 2109P3</u>	
		Same as 9QJA 2109P1 (Section 39A) Except	
		<u>Tire Size 11.00/24</u>	
F	64AX 38	CUP, Wheel Bearing (Outer)	1
G	8QJ 377P2	WHEEL, Rear Spoke	1
		<u>SECTION 39D - 9QJA 2109P4</u>	
		Same as 9QJA 2109P1 (Section 39A) Except	
		<u>Tire Size 10.00/20, 11.00/20</u>	
G	8QJ 3134P3	WHEEL, Rear Spoke	1
		<u>SECTION 39E - 9QJA 178P2</u>	
		Same as 9QJA 2109P1 (Section 39A) Except	
		<u>Tire Size 10.00/20, 11.00/20</u>	
G	8QJ 3134P3	WHEEL, Rear Spoke	1
		<u>SECTION 39F - 9QJA 2109P5</u>	
		Same as 9QJA 2109P1 (Section 39A) Except	
		<u>Tire Size 9.00/20, 10.00/20, 11.00/20</u>	
G	8QJ 3134P3	WHEEL, Rear Spoke	1
L	35AX 531	WASHER, Plain	6

KEY	PART NUMBER	DESCRIPTION	NO. REQ.
L	35AX 531	SECTION 39G - 9QJA 199 Same as 9QJA 2109PI(Section 39A)Except Tire Size 10.00/22 WASHER, Plain	6
-	---	SECTION 39H - 9QJA 178P3 Same as 9QJA 2109PI(Section 39A)Except	
-	32QJ 117	TIRE SIZE-10.00/22 KIT, Oil Seal (See Group 12)	
-	---	SECTION 39J - 9QJA 178P4 Same as 9QJA 2109PI(Section 39A)Except	
-	32QJ 117	TIRE SIZE-10.00/22 KIT, Oil Seal (See Group 12)	
G	8QJ 3134P2	WHEEL, Rear Spoke	1
-	---	SECTION 39K - 9QJA 1100 Same as 9QJA 2109PI(Section 39A)Except	
G	8QJ 3134P3	TIRE SIZE 10.00/20, 11.00/20 WHEEL, Rear Spoke	1
-	---	SEAL KIT, Oil (See Group 11A)	-
-	---	SECTION 39L - 9QJA 2109P6 Same as 9QJA 2109PI(Section 39A)Except	
M	17QJ 3194	TIRE SIZE 10.00/22 DRUM, Brake	1
N	3AX 1691	BOLT, 5/8-18 NF	6
-	---	SECTION 39M - 9QJA 2109P7 Same as 9QJA 2109PI(Section 39A)Except	
-	---	TIRE SIZE 11.00/22	
G	8QJ 3134P2	WHEEL, Rear Spoke	1
M	17QJ 3194	DRUM, Brake	1
N	3AX 1691	BOLT, 5/8-18 NF	6
-	---	SECTION 39N - 9QJA 2109P8 Same as 9QJA 2109PI(Section 39A)Except	
-	---	TIRE SIZE 18.00/22.5, 10.00/20, 11.00/20	
G	8QJ 3134P3	WHEEL, Rear Spoke	1
L	35AX 531	WASHER, Plain	6
M	17QJ 3194	DRUM, Brake	1
N	3AX 1691	BOLT, 5/8-18 NF	6
-	---	SECTION 39P - 9QJA 1107 Same as 9QJA 2109PI(Section 39A)Except	
-	---	TIRE SIZE 10.00/22	
K	Omit		
M	17QJ 3194	DRUM, Brake	1
N	3AX 1691	BOLT, 5/8-18 NF	6

Illustration #9-1710-13.

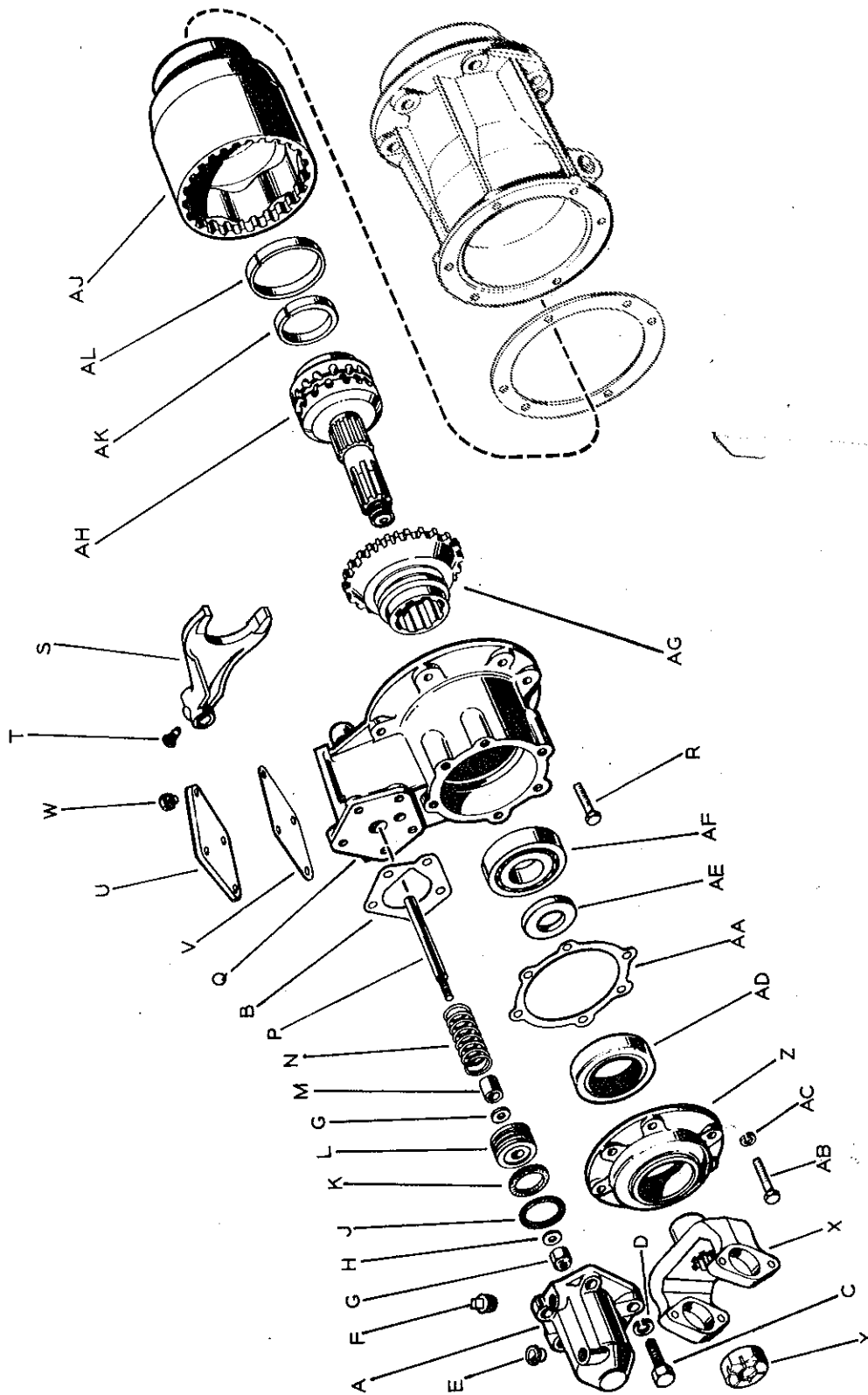
KEY	PART NUMBER	DESCRIPTION	NO. REQ.
<u>SECTION 57A - 9QJA 2123P1</u>			
A	30QJ 242P2	SLINGER, Oil	1
B	17QJ 3189	DRUM, Brake	1
C		Attaching Parts:	
D		SCREW, cap, 5/8-18 NF x 1-3/4 (1-1/2"thd.)(LAX 50)	5
E		NUT, hex. 5/8-18 NF (20AX 7)	5
F	64AX 35	WASHER, Lock, 5/8 I.D.(36AX 7)	5
G	8QJ 46	CUP, Inner Bearing	1
H		WHEEL, Five Spoke Rear	1
J	43RU 1526	Attaching Parts:	
K	23AX 393	STUD, Wheel	5
L	18AX 340	NUT, Wheel Stud	5
M		STUD, Drive Flange	12
N		Attaching Parts:	
N-1	64AX 72	NUT, hex. 9/16-18 NF (20AX 6)	8
N-1	---	WASHER, Lock, 9/16 I.D.(36AX 6)	8
N-1		CUP, Outer Bearing	1
N-1		OIL SEAL KIT (See Group 11A)	
<u>SECTION 57B - 9QJA 2122P1</u>			
Same as 9QJA 2123P1(Section 57A)Except			
B	17QJ 3185P1	DRUM, Brake	1
G	8QJ 45	WHEEL, Five Spoke Rear	1
N-1	88AX 157	SEAL, Oil	1
N-2	35AX 707	SPACER	1
<u>SECTION 57C - 9QJA 2122P2</u>			
Same as 9QJA 2123P1(Section 57A)Except			
B	17QJ 3185P1	DRUM, Brake	1
N-1	88AX 157	SEAL, Oil	1
N-2	35AX 707	SPACER	1
<u>SECTION 57D - 9QJA 2122P3</u>			
Same as 9QJA 2123P1(Section 57A)Except			
B	17QJ 3187A	DRUM, Brake	1
G	8QJ 45	WHEEL, Five Spoke Rear	1
N-1	88AX 157	SEAL, Oil	1
N-2	35AX 707	SPACER	1
<u>SECTION 57E - 9QJA 2122P4</u>			
Same as 9QJA 2123P1(Section 57A)Except			
B	17QJ 3187A	DRUM, Brake	1
N-1	88AX 157	SEAL, Oil	1
N-2	35AX 707	SPACER	1
<u>SECTION 57F - 9QJA 2122P5</u>			
Same as 9QJA 2123P1(Section 57A)Except			
G	8QJ 45	WHEEL, Five Spoke Rear	1
N-1	88AX 157	SEAL, Oil	1
N-2	35AX 707	SPACER	1
<u>SECTION 57G - 9QJA 2122P6</u>			
Same as 9QJA 2123P1(Section 57A)Except			
N-1	88AX 157	SEAL, Oil	1
N-2	35AX 707	SPACER	1

KEY	PART NUMBER	DESCRIPTION	NO. REQ.
		<u>SECTION 57H - 9QJA 2123P2</u> Same as 9QJA 2123P1(Section 57A)Except	
B	17QJ 3176AP2	DRUM, Brake	1
C		SCREW, cap, 5/8-18 NF x 2 (1-1/2"thd.)(1AX 62)	5
		<u>SECTION 57J - 9QJA 2122AP1</u> Same as 9QJA 2123P1(Section 57A)Except	
B	17QJ 3185P1	DRUM, Brake	1
G	8QJ 47	WHEEL, Five Spoke Rear	1
N-1	88AX 100	SEAL, Oil	1
N-2	44RU 2178	SPACER	1
		<u>SECTION 57K - 9QJA 2122AP2</u> Same as 9QJA 2123P1(Section 57A)Except	
B	17QJ 3185P1	DRUM, Brake	1
G	8QJ 48	WHEEL, Five Spoke Rear	1
N-1	88AX 100	SEAL, Oil	1
N-2	44RU 2178	SPACER	1
		<u>SECTION 57L - 9QJA 2122AP3</u> Same as 9QJA 2123P1(Section 57A)Except	
B	17QJ 3187A	DRUM, Brake	1
G	8QJ 47	WHEEL, Five Spoke Rear	1
N-1	88AX 100	SEAL, Oil	1
N-2	44RU 2178	SPACER	1
		<u>SECTION 57M - 9QJA 2122AP4</u> Same as 9QJA 2123P1(Section 57A)Except	
B	17QJ 3187A	DRUM, Brake	1
G	8QJ 48	WHEEL, Five Spoke Rear	1
N-1	88AX 100	SEAL, Oil	1
N-2	44RU 2178	SPACER	1
		<u>SECTION 57N - 9QJA 2122AP5</u> Same as 9QJA 2123P1(Section 57A)Except	
G	8QJ 47	WHEEL, Five Spoke Rear	1
N-1	88AX 100	SEAL, Oil	1
N-2	44RU 2178	SPACER	1
		<u>SECTION 57P - 9QJA 2122AP6</u> Same as 9QJA 2123P1(Section 57A)Except	
G	8QJ 48	WHEEL, Five Spoke Rear	1
N-1	88AX 100	SEAL, Oil	1
N-2	44RU 2178	SPACER	1
		<u>SECTION 57Q - 9QJA 1104</u> Same as 9QJA 2123P1(Section 57A)Except	
B	17QJ 3187A	DRUM, Brake	1
G	8QJ 48	WHEEL, Five Spoke Rear	1
K	18AX 1007	STUD, Drive Flange	8
N-1	88AX 100	SEAL, Oil	1
N-2	44RU 2178	SPACER	1
N-3	19QJA 244	CAP, Hub (C/P)	1
N-4	90RU 261	ADAPTER, Hub Cap	1
N-5	19QJ 113	STOP, Hub Cap	4

COMPONENT PARTS

15KNA 32  
POWER DIVIDER AIR LOCKOUT ASSEMBLY

15-1114-1



IK

## COMPONENT PARTS

15KNA 32

### POWER DIVIDER AIR LOCKOUT ASSEMBLY (CONTINUED)

KEY	PART NUMBER	DESCRIPTION	NO. REQ.
A	476KB 33A	CYLINDER, Air Shift	1
		Attaching Parts:	
B	629KB 132	GASKET	1
C		SCREW, Cap, 7/16-14 NC x 1-1/4 (1-1/8" thd.) (4AX 4)	5
D		WASHER, Lock, 7/16 I.D. (36AX 4)	5
E	49AX 113	PLUG, Air Shift Cylinder Paper Shipping	1
F		PLUG, Sq. hd. Iron, 1/4 NPT, Air Shift Cylinder Pipe (63AX 4)	1
G	21AX 475	NUT, Shift Rail	1
H	31KD 152	SPACER, Air Shift Piston	2
J	56AX 283	RING, "O", Air Shift Piston	1
K	531KB 11	FELT, Air Shift Piston	1
L	336KC 11A	PISTON, Air Shift	1
M	75KH 14	SLEEVE, Shift Rail	1
N	96KH 11	SPRING, Air Shift Piston	1
P	94KH 11	RAIL, Shift	1
Q	39KN 41	HOUSING, Inter-Axle Power Divider Shifter	1
		Attaching Parts:	
R		SCREW, Cap, 7/16-14 NC x 1-1/4 (1-1/8" thd.) (4AX 4)	6
S	98KH 21A	FORK, Shifter	1
		Attaching Part:	
T	7AX 152	SCREW (7/16 x 1-1/8)	1
U	95KH 11	COVER, Shifter Housing	1
		Attaching Part:	
V	50KH 110	GASKET	1
W	400AX 12	SCREW ASSEMBLY	4
X	---	YOKE, Front Drive (See Group 9)	1
		Attaching Part:	
Y	23AX 164	NUT (1-3/8 - 12)	1
Z	49KH 250A	COVER, Inter-Axle Power Divider Bearing	1
		Attaching Part:	
AA	50KH 233	GASKET	1
AB		SCREW, Cap, 7/16-14 NC x 1-1/2 (1-1/8" thd.) (4AX 140)	6
AC		WASHER, Lock, 3/8 I.D. (36AX 3)	6
AD	88AX 346P2	SEAL, OIL, Front Drive Yoke	1
AE	77KH 127	SPACER, Power Divider Cage	1
AF	46AX 169	BEARING, Inter-Axle Power Divider Ball	1
AG	97KH 21	CLUTCH, Sliding	1
AH	33KN 329A	CAGE, Inter-Axle Power Divider Driving	1
AJ	31KN 318	CAM, Power Divider (Female)	1
AK	35KN 16A	RING, Inter-Axle Power Divider Wedge Inner Retaining	1
AL	35KN 17A	RING, Inter-Axle Power Divider Wedge Outer Retaining	1

THIS REPLACES ALL COPIES PRIOR TO OCTOBER 14, 1965.

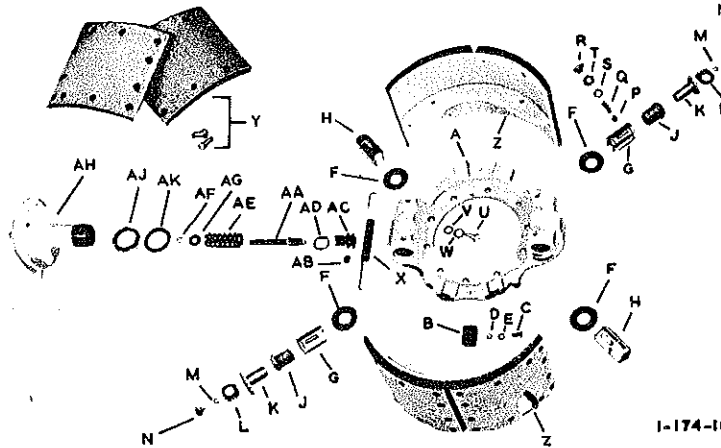


COMPONENT PARTS

1QDA 544P1 thru P8 (RH)  
1QDA 545P1 thru P8 (LH)  
BRAKE ASSEMBLY (AUTOMATIC ADJUSTMENT)

Quantity used is 1 unless otherwise specified in brackets ( ).

KEY PART NUMBER DESCRIPTION KEY PART NUMBER DESCRIPTION



1-174-16

KEY	PART NUMBER	DESCRIPTION	KEY	PART NUMBER	DESCRIPTION
		1QDA 544P1 & 545P1 (15 x 6)			1QDA 544P2 & 545P2 (15 x 6)
A	361SM 56	SPIDER,Brk (2)			Same as 1QDA 544P1 & 545P1
B	45SM 15	CLIP, Shoe H/Down (4)			
		Attaching Parts:	AH	47SM 49	FAIL-SAFE ASSY(Up)(See Comp)(2)
C	361SZ 483	SCREW, 5/16-24 NF (4)	AH	47SM 50	AIR CHAMBER ASSY(Lower)(See Comp)(2)
D	20AX 2	NUT, 5/16-24 NF (4)			
E	36AX 2	WASHER, 5/16 ID (4)			
F	341SM 25	SEAL ASSY, Diaphragm (8)			1QDA 544P3 & 545P3 (15 x 7)
G	306SM 37	PLUNGER, Adj (4)			Same as 1QDA 544P1 & 545P1 (Except)
H	306SM 30	PLUNGER, Anch (LH Side)1QDA 545)(2)	Y	202SM 144	KIT, Lng
H	306SM 38	PLUNGER,Anch (RH Side)1QDA 544)(2)	Z	362SM 100	SHOE, Brk (4)
J	302SM 37	ACTUATOR, Adj Pngr (4)			
K	26SM 27-32	BOLT, Actuator Adj (4)			1QDA 544P4 & 545P4 (15 x 7)
L	441SM 54	DETENT, Adj Blt (4)			Same as 1QDA 544P1 & 545P1 (Except)
M	364SM 69	SPRING, Adj Bolt Adj End (4)			
N	371SM 16	ADJUSTER, Adj Blt (4)	Y	202SM 144	KIT, Lng
P	124SM 17	GUIDE,Adj Pngr (4)	Z	362SM 100	SHOE, Brk (4)
Q	364SM 72	SPRING, Adj Pngr Guide (4)	AH	47SM 49	FAIL-SAFE ASSY (Up)(See Comp)(2)
R	371SM 18	CAPSCREW, Adj Pngr Guide (4)	AH	47SM 50	AIR CHAMBER ASSY (Lower)(See Comp)(2)
		Attaching Parts:			
S	123SM 21	GASKET (4)			
T	35AX 1016	WASHER, 5/8 ID (4)			1QDA 544P5 & 545P5 (15 x 7)
U	124SM 15	GUIDE, Anch Pngr (4)			Same as 1QDA 544P1 & 545P1 (Except)
		Attaching Parts:			
V	123SM 21	GASKET (4)			
W	35AX 1016	WASHER, 5/8 ID (4)	G	306SM 25	PLUNGER,Adj (4)
X	364SM 67	SPRING, Shoe Ret (4)	H	306SM 24	PLUNGER, Anch (LH Side)1QDA 545 (2)
Y	202SM 139	KIT, Shoe Lng			
Z	362SM 94	SHOE, Brk (4)	H	306SM 22	PLUNGER,Anch (RH Side)1QDA 544(2)
AA	445SM 15	WEDGE, Shoe (4)	Y	202SM 144	KIT, Shoe Lng
AB	342SM 15	ROLLER,Shoe Wedge Ret Cage (8)	Z	362SM 100	SHOE, Brk (4)
AC	341SM 23	CAGE, Shoe Wedge Ret (4)	AA	445SM 12	WEDGE, Shoe (4)
AD	441SM 51	WASHER, Shoe Ret Cage (4)	AH	47SM 59	FAIL-SAFE ASSY (Lower)(See Comp)(2)
AE	364SM 68	SPRING, Shoe Wedge Ret (4)			
AF	441SM 52	WASHER, "E" Shoe Wedge(4)	AK-2	365SM 135	SHIELD, Dust
AG	441SM 53	WASHER, Flat, Shoe Wedge (4)			
AH	47SM 49	FAIL-SAFE ASSEMBLY (Lower)(See Comp)(2)			1QDA 544P6 & 545P6 (15 x 7)
		Attaching Parts:			Same as 1QDA 544P1 & 545P1
AH	47SM 50	AIR CHAMBER ASSY, (UP)(See Comp)(2)			
		Attaching Parts:			
AJ	221SZ 22	NUT, Spanner (4)	G	306SM 25	PLUNGER,Adj (4)
AK	123SM 22	RETAINER, Spanner Nut (4)	H	306SM 24	PLUNGER, Anch (LH Side)1QDA 545(2)
AK-1	50SM 24	COVER, Shield Dust (8)	H	306SM 22	PLUNGER, Anch (RH Side)1QDA 544)(2)
AK-2	365SM 130	SHIELD, Dust (4)	Y	202SM 144	KIT, Shoe Lng
		Attaching Parts:	Z	362SM 100	SHOE,Brk (4)
AK-3	4AX 76	SCREW, 5/16-18 NC (8)	AA	445SM 12	WEDGE, Shoe (4)
AK-4	441SZ 443	WASHER (8)	AH	47SM 59	FAIL, Safe Assy (Up)(See Comp)(2)
			AH	47SM 50	AIR CHAMBER ASSY (Low)(See Comp)(2)





COMPONENT PARTS

THIS REPLACES ALL COPIES PRIOR TO OCTOBER 14, 1965.

1QDA 544P1 thru P8 (RH)

1QDA 545P1 thru P8 (LH)

BRAKE ASSEMBLY (AUTOMATIC ADJUSTMENT (Cont.))

Quantity used is 1 unless otherwise specified in brackets ( ).

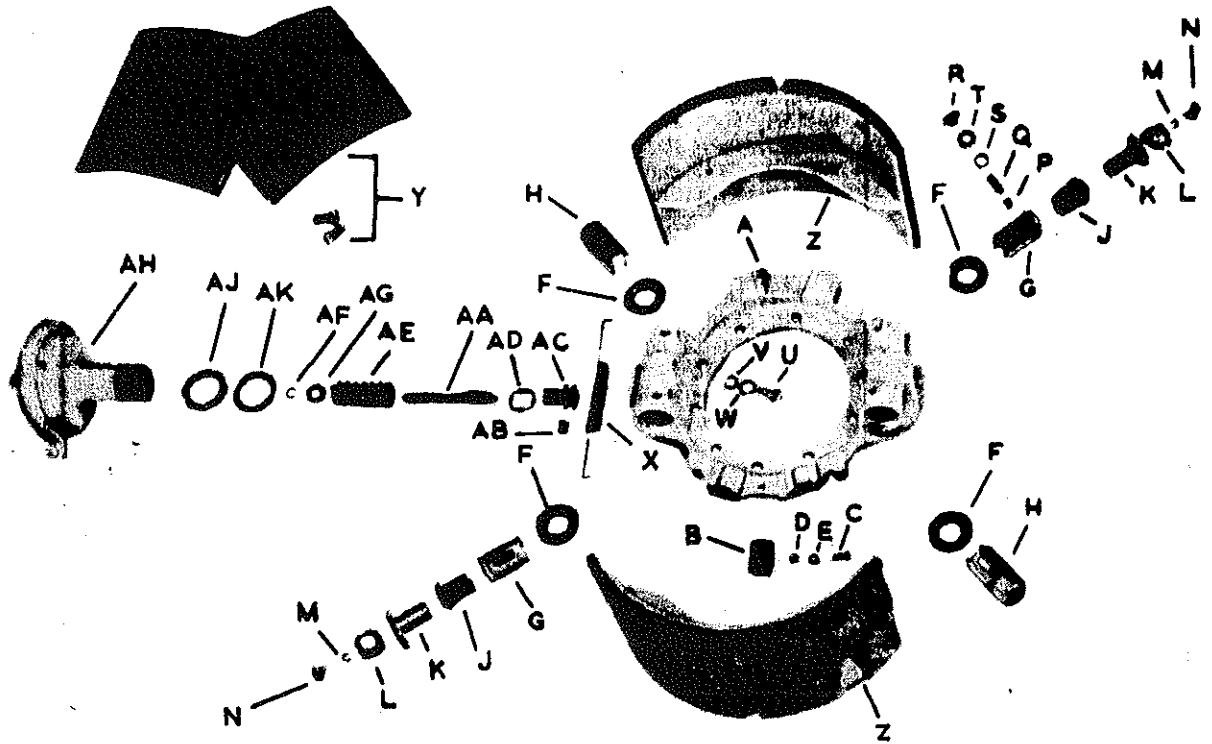
KEY	PART NUMBER	DESCRIPTION	KEY	PART NUMBER	DESCRIPTION
		<u>1QDA 544P7 &amp; 545P7 (15 x 6)</u> Same as 1QDA 544P1 & 545P1 (Except)			
G	306SM 25	PLUNGER, Adj (4)			
H	306SM 24	PLUNGER, Anch (LH Side)1QDA 545 (2)			
H	306SM 22	PLUNGER, Anch (RH Side)1QDA 544 (2)			
AA	445SM 12	WEDGE, Shoe (4)			
AH	47SM 59	FAIL-SAFE ASSY (Low)(See Comp)(2)			
AK-2	365SM 136	SHIELD, Dust			
		<u>1QDA 544P8 &amp; 545P8 (15 x 6)</u> Same as 1QDA 544P1 & 545P1 (Except)			
G	306SM 25	PLUNGER, Adj (4)			
H	306SM 24	PLUNGER, Anch (LH Side)1QDA 545(2)			
H	306SM 22	PLUNGER, Anch (RH Side)1QDA 544(2)			
AA	445SM 12	WEDGE, Shoe (4)			
AH	47SM 59	FAIL-SAFE ASSY, (UP)(See Comp)(2)			
AH	47SM 50	AIR CHAMBER ASSY (Low)(See Comp)(2)			
AK-2	365SM 136	SHIELD, Dust			





COMPONENT PARTS  
 1QDA 4127P1 thru P19 (R.H.)  
 1QDA 4128P1 thru P19 (L.H.)  
BRAKE ASSEMBLY (AUTOMATIC ADJUSTMENT)

1-174-16



THIS REPLACES ALL COPIES DATED PRIOR TO SEPTEMBER 20, 1965.

KEY	PART NUMBER	DESCRIPTION	NO. REQ.
		<u>1QDA 4127P1 &amp; 4128P1 (R.H. &amp; L.H.) (15 x 7)</u>	
A	361SM 56	SPIDER, Brake	2
A-1	Not Used	SLEEVE, Brake Spdler	
B	45SM 15	CLIP, Shoe Holdown	4
		Attaching Parts:	
C		SCREW, cap, 5/16-24 NF x 3/4 (1AX 110)	4
D		NUT, hex. 5/16-24 NF (20AX 2)	4
E		WASHER, Lock, 5/16 I.D. (36AX 2)	4
F	341SM 25	SEAL ASSEMBLY, Diaphragm	8
G	306SM 25	PLUNGER, Adjusting	4
H	306SM 24	PLUNGER, Anchor (L.H.Side)	2
H	306SM 22	PLUNGER, Anchor (R.H.Side)	2
J	302SM 37	ACTUATOR, Adjusting Plunger	4
K	26SM 27	BOLT, Actuator Adjusting	4
L	441SM 54	DETENT, Adjusting Bolt	4
M	364SM 69	SPRING, Adjusting Bolt Adjusting End	4
N	371SM 16	ADJUSTER, Adjusting Bolt	4
P	124SM 17	GUIDE, Adjusting Plunger	4
Q	364SM 72	SPRING, Adjusting Plunger Guide	4
R	371SM 18	CAPSCREW, Adjusting Plunger Guide	4
		Attaching Parts:	
S	123SM 21	GASKET	4
T	35AX 1016	WASHER, Shakeproof Lock 5/8 I.D.	4
U	124SM 15	GUIDE, Anchor Plunger	4
		Attaching Parts:	
V	123SM 21	GASKET	4
W	35AX 1016	WASHER, Shakeproof Lock, 5/8 I.D.	4
X	364SM 67	SPRING, Shoe Return	4
Y	202SM 144	KIT, Shoe Lining	1
Z	362SM 100	SHOE, Brake	4
AA	445SM 12	WEDGE, Shoe	4
AB	342SM 15	ROLLER, Shoe Wedge Retainer Cage	8

COMPONENT PARTS

1QDA 4127P1 thru P19 (R.H.)

1QDA 4128P1 thru P19 (L.H.)

BRAKE ASSEMBLY(AUTOMATIC ADJUSTMENT)(Cont.)

KEY	PART NUMBER	DESCRIPTION	NO. REQ.
AC	341SM 23	CAGE, Shoe Wedge Retainer	4
AD	441SM 51	WASHER, Shoe Retainer Cage	4
AE	364SM 68	SPRING, Shoe Wedge Return	4
AF	441SM 52	WASHER, "E", Shoe Wedge	4
AG	441SM 53	WASHER, Flat, Shoe Wedge	4
AH	47SM 43	FAIL-SAFE ASSEMBLY (For Components, see back of Group)	4
AJ	221SZ 22	Attaching Parts: NUT, Spanner	4
AK	123SM 22	RETAINER, Spanner Nut	4
AK-1	50SM 24	COVER, Shield Dust	8
AK-2	365SM 130	SHIELD, Dust Attaching Parts: SCREW, cap, 5/16-18 NC x 5/8(4AX 76)	4
AK-3		WASHER, Shakeproof Lock	8
AK-4	441SZ 443		
A	361SM 57	1QDA 4127P2 & 4128P2 (15 x 6) Same as 1QDA 4127P1 & 4128P1(Except)	2
Y	202SM 139	SPIDER, Brake	1
Z	362SM 94	KIT, Lining	4
AH	47SM 44	SHOE, Brake	4
AK-2	365SM 126	FAIL-SAFE ASSEMBLY (For Components, see back of Group) SHIELD, Dust	1
Y	202SM 139	1QDA 4127P3 & 4128P3(15 x 6) Same as 1QDA 4127P1 & 4128P1(Except)	1
Z	362SM 94	KIT, Lining	4
AK-2	365SM 131	SHOE, Brake SHIELD, Dust	4
A	361SM 58	1QDA 4127P4 & 4128P4(15 x 7) Same as 1QDA 4127P1 & 4128P1(Except)	2
G	8235 2797-Y-129	SPIDER, Brake	4
H	8235 2797-A-157	PLUNGER, Adjusting	2
H	306SM 30	PLUNGER, Anchor (R.H.)	2
AA	445SM 15	PLUNGER, Anchor (L.H.)	2
AH	47SM 47	WEDGE, Shoe	4
AK-2	365SM 132	FAIL-SAFE ASSEMBLY (For Components, see back of Group) SHIELD, Dust	4
A	361SM 50	1QDA 4127P5 & 4128P5(15 x 6) Same as 1QDA 4127P1 & 4128P1(Except)	2
A-1	8235 1725-Q-17	SPIDER, Brake	4
G	8235 2797-B-132	SLEEVE, Brake Spider	4
H	306SM 26	PLUNGER, Adjusting	2
H	306SM 27	PLUNGER, Anchor (R.H.)	2
Y	202SM 139	PLUNGER, Anchor (L.H.)	1
Z	362SM 94	KIT, Lining	4
AA	445SM 14	SHOE, Brake	4
"	8235 R84-3775-L-12	WEDGE, Shoe	4
AH	8235 R85-3775-L-12	AIR CHAMBER ASSEMBLY, (R.H. & L.H.Side)	2
AK-2	365SM 126	AIR CHAMBER ASSEMBLY, (R.H. & L.H.Side) (For Components, see back of Group) SHIELD, Dust	2
A	361SM 50	1QDA 4127P6 & 4128P6 (15 x 6) Same as 1QDA 4127P1 & 4128P1(Except)	2
A-1	8235 1725-Q-17	SPIDER, Brake	4
		SLEEVE, Brake Spider	

THIS REPLACES ALL COPIES DATED PRIOR TO SEPTEMBER 20, 1965.

COMPONENT PARTS

1QDA 4127P1 thru P19 (R.H.)  
 1QDA 4128P1 thru P19 (L.H.)  
BRAKE ASSEMBLY(AUTOMATIC ADJUSTMENT)(Cont.)

THIS REPLACES ALL COPIES DATED PRIOR TO SEPTEMBER 20, 1965.

KEY	PART NUMBER	DESCRIPTION	NO. REQ.
<u>1QDA 4127P6 &amp; 4128P6 (15 x 6)(Cont.)</u>			
Y	202SM 139	KIT, Lining	1
Z	362SM 94	SHOE, Brake	4
AH	47SM 37	AIR CHAMBER ASSEMBLY (R.H. & L.H.Side)	2
AH	47SM 38	AIR CHAMBER ASSEMBLY (R.H. & L.H.Side)	2
(For Components, see back of Group)			
AK-2	365SM 126	SHIELD, Dust	1
<u>1QDA 4127P7 &amp; 4128P7 (15 x 6)</u>			
Same as 1QDA 4127P1 & 4128P1(Except)			
A	361SM 58	SPIDER, Brake	2
Y	202SM 139	KIT, Lining	1
Z	362SM 94	SHOE, Brake	4
AH	47SM 37	AIR CHAMBER ASSEMBLY, (R.H. & L.H.Side)	2
AH	47SM 38	AIR CHAMBER ASSEMBLY (R.H. & L.H.side)	2
(For Components, see back of Group)			
AK-2	365SM 132	SHIELD, Dust	4
<u>1QDA 4127P8 &amp; 4128P8(15 x 7)</u>			
Same as 1QDA 4127P1 & 4128P1(Except)			
A	361SM 58	SPIDER, Brake	2
G	8235 2797-Y-129	PLUNGER, Adjusting	4
H	8235 2797-A-157	PLUNGER, Anchor (R.H.)	2
H	306SM 30	PLUNGER, Anchor (L.H.)	2
AA	445SM 15	WEDGE, Shoe	4
AH	47SM 37	AIR CHAMBER ASSEMBLY (R.H. & L.H.Side)	2
AH	47SM 38	AIR CHAMBER ASSEMBLY (R.H. & L.H.Side)	2
(For Components, see back of Group)			
AK-2	365SM 32	SHIELD, Dust	4
<u>1QDA 4127P9 &amp; 4128P9(15 x 6)</u>			
Same as 1QDA 4127P1 & 4128P1(Except)			
A	361SM 58	SPIDER, Brake	2
Y	202SM 139	KIT, Lining	1
Z	362SM 94	SHOE, Brake	4
AH	47SM 47	FAIL-SAFE ASSEMBLY	4
(For Components, see back of Group)			
AK-2	365SM 132	SHIELD, Dust	4
<u>1QDA 4127P10 &amp; 4128P10(15 x 6)</u>			
Same as 1QDA 4127P1 & 4128P1(Except)			
A	361SM 50	SPIDER, Brake	2
A-1	8235 1725-Q-17	SLEEVE, Brake Spider	4
Y	202SM 139	KIT, Lining	1
Z	362SM 94	SHOE, Brake	4
AH	47SM 47	FAIL-SAFE ASSEMBLY	4
(For Components, see back of Group)			
AK-2	365SM 132	SHIELD, Dust	4
<u>1QDA 4127P11 &amp; 4128P11(15 x 6)</u>			
Same as 1QDA 4127P1 & 4128P1(Except)			
A	361SM 60	SPIDER, Brake (R.H.)	1
A	361SM 59	SPIDER, Brake (L.H.)	1
Y	202SM 139	KIT, Lining	1
Z	362SM 94	SHOE, Brake	4
AH	8235 S10F-3775-L-12	FAIL, SAFE ASSEMBLY	4
(For Components, see back of Group)			
AK-2	365SM 126	SHIELD, Dust	4

COMPONENT PARTS

1QDA 4127P1 thru P19 (R.H.)

1QDA 4128P1 thru P19 (L.H.)

BRAKE ASSEMBLY(AUTOMATIC ADJUSTMENT)(Cont.)

KEY	PART NUMBER	DESCRIPTION	NO. REQ.
		<u>1QDA 4127P12 &amp; 4128P12(15x 6)</u> Same as 1QDA 4127P1 & 4128P1(Except)	
A	361SM 61	SPIDER, Brake (R.H.)	1
A	361SM 62	SPIDER, Brake (L.H.)	1
A-1	8235-1725-Q-17	SLEEVE, Brake Spider	4
Y	202SM 139	KIT, Lining	1
Z	362SM 94	SHOE, Brake	4
AH	8235-S10F-3775-L12	FAIL-SAFE ASSEMBLY (For Components, see back of Group)	4
AK-2	365SM 132	SHIELD, Dust	4
		<u>1QDA 4127P13 &amp; 4128P13(15 x 6)</u> Same as 1QDA 4127P1 & 4128P1(Except)	
Z	362SM 94	SHOE, Brake	4
AH	8235-S10F3775-L12	FAIL-SAFE ASSEMBLY (For Components, see back of Group)	4
AK-2	365SM 131	SHIELD, Dust	4
		<u>1QDA 4127P14 &amp; 4128P14(15x6)</u> Same as 1QDA 4127P1 & 4128P1(Except)	
A	361SM 50	SPIDER, Brake	2
A-1	8235-1725-Q-17	SLEEVE, Brake Spider	4
G	8235-2797-N-10	PLUNGER, Adjusting	4
H	306SM 26	PLUNGER, Anchor (R.H.)	2
H	306SM 27	PLUNGER, Anchor (L.H.)	2
Y	202SM 139	KIT, Lining	1
Z	362SM 94	SHOE, Brake	4
AA	445SM 14	WEDGE, Shoe	4
AH	8235-S10F-3775-L12	FAIL-SAFE ASSEMBLY (For Components, see back of Group)	4
AK-2	365SM 126	SHIELD, Dust	4
		<u>1QDA 4127P15 &amp; 4128P15 (15 x 7)</u> Same as 1QDA 4127P1 & 4128P1 Except	
AH	8235 R22-3775-L-12	AIR CHAMBER ASSEMBLY	2
AH	8235 R23-3775-L-12	AIR CHAMBER ASSEMBLY (For Components, See Back of Group)	2
		<u>1QDA 4127P16 &amp; 4128P16 (15 x 6)</u> Same as 1QDA 4127P1 & 4128P1 Except	
A	361SM 57	SPIDER, Brake	2
Y	202SM 139	KIT, Lining	1
Z	362SM 94	SHOE, Brake	4
AH	8235 R84-3775-L-12	AIR CHAMBER ASSEMBLY	2
AH	8235 R85-3775-L-12	AIR CHAMBER ASSEMBLY (For Components, See Back of Group)	2
AK-2	365SM 126	SHIELD, Dust	4
		<u>1QDA 4127P17 &amp; 4128P17 (15 x 6)</u> Same as 1QDA 4127P1 & 4128P1 Except	
Z	362SM 94	SHOE, Brake	4
AH	8235 R22-3775-L-12	AIR CHAMBER ASSEMBLY	2
AH	8235 R23-3775-L-12	AIR CHAMBER ASSEMBLY (For Components, See Back of Group)	2
		<u>1QDA 4127P18 &amp; 4128P18 (15 x 6)</u> Same as 1QDA 4127P1 & 4128P1 Except	
Y	202SM 139	KIT, Lining	1
Z	362SM 94	SHOE, Brake	4

THIS REPLACES ALL COPIES DATED PRIOR TO SEPTEMBER 20, 1965.



**COMPONENT PARTS**

1QDA 4127P1 thru P19 (R.H.)  
 1QDA 4128P1 thru P19 (L.H.)  
BRAKE ASSEMBLY (AUTOMATIC ADJUSTMENT) (CONT.)

*Quantity used is 1 unless otherwise specified in brackets ( ).*

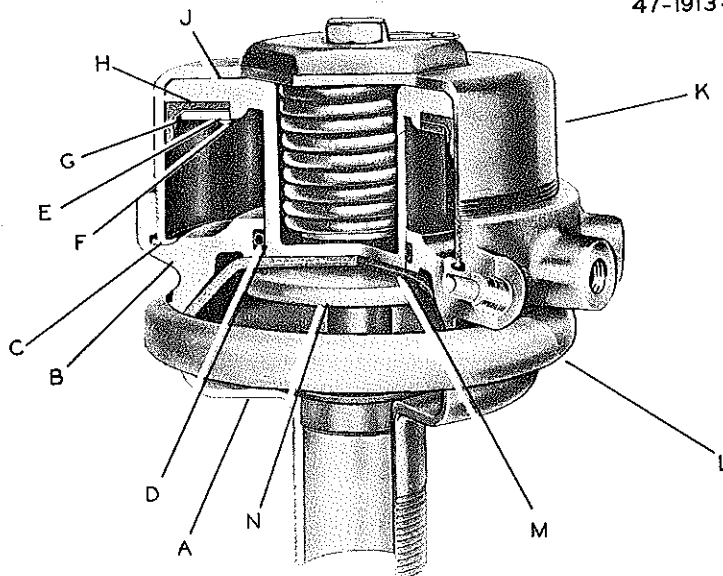
KEY	PART NUMBER	DESCRIPTION	KEY	PART NUMBER	DESCRIPTION
<u>1QDA 4127P19 &amp; 4128P19(15x6)(Cont.)</u>					
AH	8235 C1F-3775-L-				
	12	FAIL-SAFE ASSY.(See Comp.)(4)			
AK-2	8235 3736-M-793	SHIELD,Dust (4)			
<u>1QDA 4127P19 &amp; 4128P19(15x6)</u>					
Same as 1QDA 4127& 28P1 (Except)					
Y	202SM 139	KIT, Shoe Lining			
Z	362SM 94	SHOE, Brake(4)			
AH	47SM 55	AIR CHAMBER ASSY., (SeeComp.)(4)			
AK-2	365SM 135	SHIELD, Dust (2)			



# COMPONENT PARTS

47SM 43, 44 & 47  
FAIL-SAFE UNIT

47-1913-3



THIS REPLACES ALL COPIES DATED PRIOR TO FEBRUARY 5, 1964.

KEY	PART NUMBER	DESCRIPTION	NO. REQ.
A	142SM 22	HOUSING ASSEMBLY, Non-Pressure (For 47SM 43 Only)	1
A	142SM 24	HOUSING ASSEMBLY, Non-Pressure (For 47SM 44 Only)	1
A	142SM 19	HOUSING ASSEMBLY, Non-Pressure (For 47SM 47 Only)	1
B	142SM 18	HOUSING, Fail-Safe	1
C	441SM 55	WASHER, Rubber	1
D	343SM 17	"O" RING, Fail-Safe	1
E	----	* PLATE, Retainer	
		Attaching Parts:	
F	----	* RIVET	
G	----	* EXPANDER, Piston	
H	----	* SEAL, Piston	
J	306SMA 32	PLUNGER ASSEMBLY, Piston	1
K	46SMA 15	CAP ASSEMBLY, Fail-Safe	1
		Includes:	
-	----	* BOLT, Release	
-	361SZ 532	SCREW	2
-	----	* SLEEVE	
-	----	* NUT	
-	----	* SPRING	
-	----	* WASHER	
-	50SM 25	COVER, Spring	1
L	45SM 18	CLAMP, Ring	1
		Attaching Parts:	
-	361SZ 533	BOLT	1
-	261SZ 324	NUT	2
M	64SM 25	DIAPHRAGM	1
N	304SM 33	PLATE, Diaphragm (For 47SM 43 Only)	1
N	304SM 34	PLATE, Diaphragm (For 47SM 44 Only)	1
N	304SM 32	PLATE, Diaphragm (For 47SM 47 Only)	1
-	304SZ 133	PLUG, Fail-Safe Housing	1
-	228SM 17	LOCK, Fail-Safe Housing Bolt	1
-	8235 1779-Q-433	GUIDE, Wedge	1

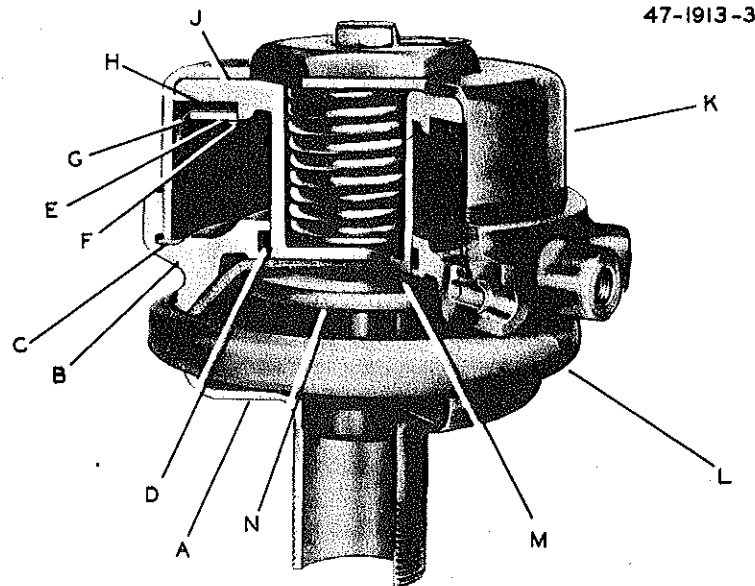
\* Serviced in the Assembly Only

**MACK CHASSIS NUMBER** must always be given with **PART NUMBER** when ordering.

### COMPONENT PARTS

47SM 49

FAIL - SAFE UNIT

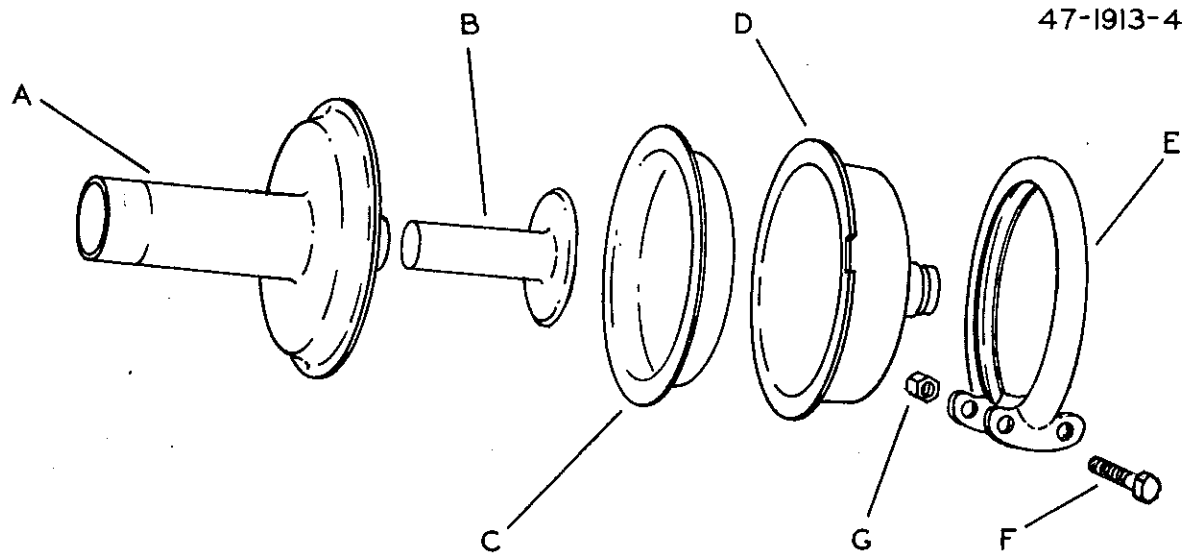


KEY	PART NUMBER	DESCRIPTION	NO. REQ.
A	142SM 25	HOUSING ASSY., Non-Pressure	1
B	142SM 18	HOUSING, Fail Safe	1
C	441SM 55	WASHER (Rubber)	1
D	343SM 17	"O" RING	1
E	304SM 31	PLATE, Retainer	1
F	341SZ 168	Attaching Parts: RIVET	6
G	64SM 24	EXPANDER, Piston	1
H	373SM 15	SEAL, Piston	1
J	306SM 36	PISTON ASSY. (Includes Key Letters E thru H)	1
K	46SM 16	CAP ASSY.	1
L	45SM 18	CLAMP, Ring	1
-	361SZ 533	Attaching Parts: BOLT	2
-	261SZ 324	NUT	2
M	64SM 25	DIAPHRAGM	1
N	304SM 36	PLATE, Diaphragm	1
-	124SM 19	GUIDE, Wedge	1

**MACK CHASSIS NUMBER must always be given with PART NUMBER when ordering.**

**COMPONENT PARTS**

47SM 50  
AIR BRAKE CHAMBER



KEY	PART NUMBER	DESCRIPTION	NO. REQ.
A	142SM 27	HOUSING ASSY., Non-Pressure Includes:	1
-	22SM 31	BOOT	1
B	304SM 37	PLATE, Diaphragm	1
C	64SM 25	DIAPHRAGM	1
D	142SM 26	PLATE, Air Chamber Pressure	1
E	45SM 16	CLAMP	1
F	26SM 28	Attaching Parts: BOLT	2
G	261SZ 303	NUT	2
-	304 SZ 130	PLUG, Pressure Plate	1



# Mack PARTS BOOK

## INDEX

### GROUP #12 - FRONT AXLE

#### COMPONENTS

25QD 21CP17

19QE 221P3

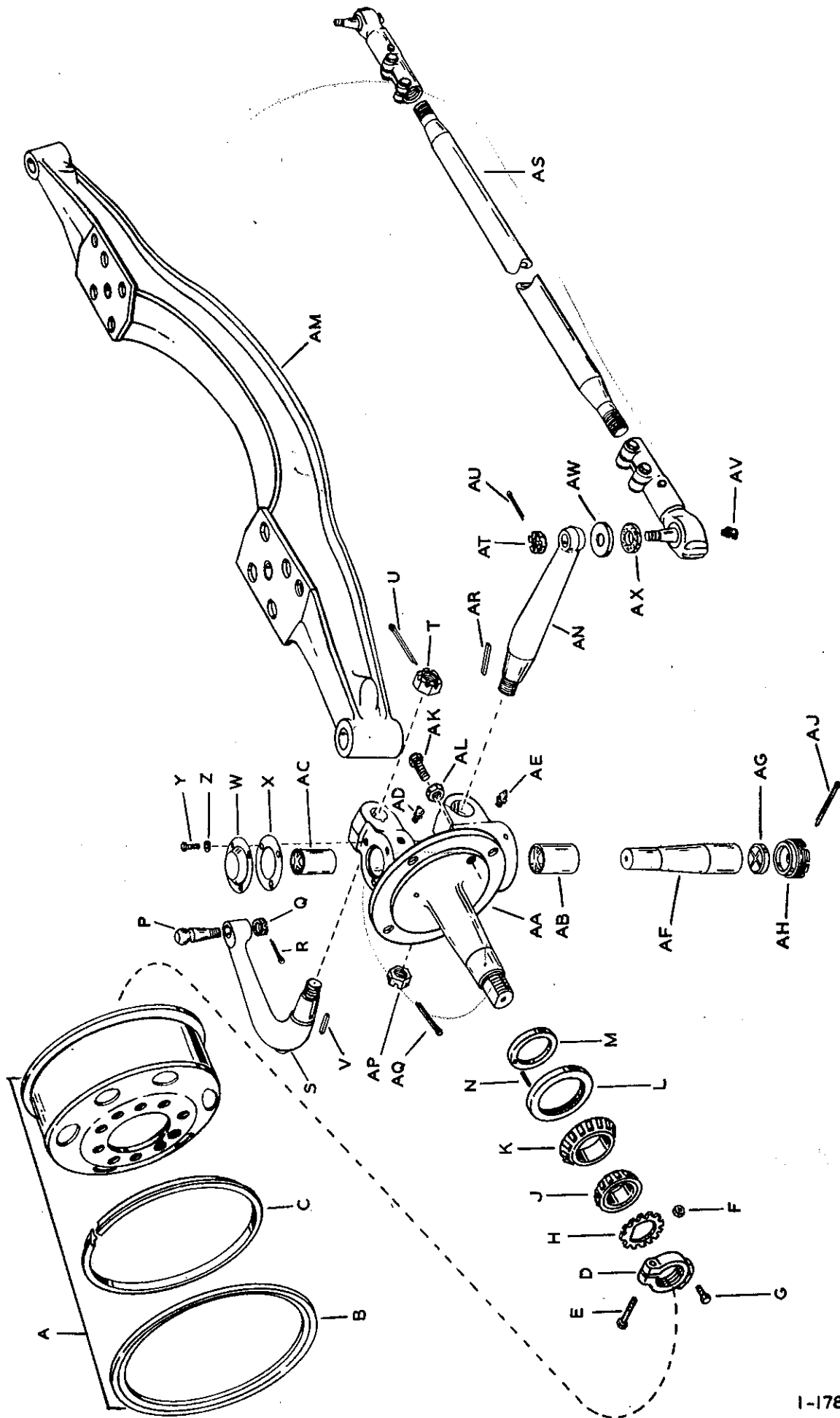
7QH 22BP24

12

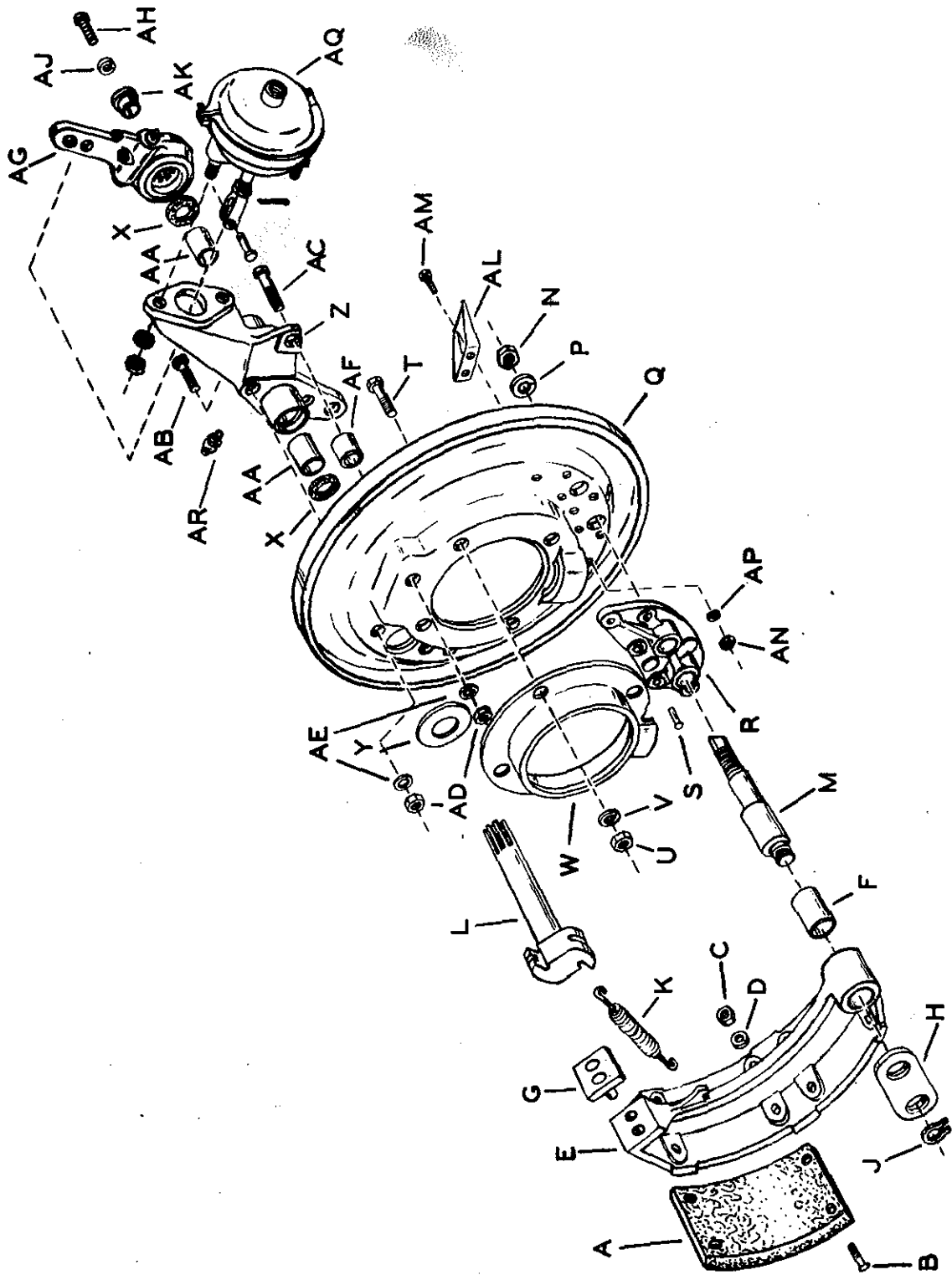


4248A 12/8/65 ejm-jd PAGE #12-1

CHASSIS NUMBER must always be given with PART NUMBER when ordering.



FRONT AXLE ARRANGEMENT



IB-178-2

FRONT BRAKES

Illustration #1-178-71, 1B-178-2.

KEY	PART NUMBER	DESCRIPTION	NO. REQ.
		<u>SECTION 85A - 1QHA 4143CP2(FA522)</u>	
		Key Letters Indicated on Illustration #1-178-71.	
A	14QJA 33P1	RIM ASSEMBLY, Spoke Wheel (10.00/20 Tire) Each Includes:	2
B	14QJ 214P1	RING, Side	1
C	14QJ 213AP1	RING, Lock	1
A	14QJA 33P2	RIM ASSEMBLY, Spoke Wheel (10.00/22 Tire) Each Includes:	2
B	14QJ 214P2	RING, Side	1
C	14QJ 213AP1	RING, Lock	1
A	14QJA 36AP1	RIM ASSEMBLY, Spoke Wheel (11.00/20 Tire) Each Includes:	2
B	14QJ 215P1	RING, Side	1
C	14QJ 213AP1	RING, Lock	1
A	14QJA 36AP2	RIM ASSEMBLY, Spoke Wheel (11.00/22 Tires) Each Includes:	2
B	14QJ 215P2	RING, Side	1
C	14QJ 213AP2	RING, Lock	1
A	14QJA 36AP3	RIM ASSEMBLY, Spoke Wheel (11.00/24 Tires) Each Includes:	2
B	14QJ 215P3	RING, Side	1
C	14QJ 213AP3	RING, Lock	1
A	13QJA 210P1	WHEEL ASSEMBLY, Disc (Aluminum)(10.00/20 Tire) Each Includes:	2
B	14QJ 214P1	RING, Side	1
C	14QJ 213AP1	RING, Lock	1
A	13QJA 210P2	WHEEL ASSEMBLY, Disc (Aluminum)(10.00/22 Tire) Each Includes:	2
B	14QJ 214P2	RING, Side	1
C	14QJ 213AP2	RING, Lock	1
A	13QJA 326P1	WHEEL ASSEMBLY, Disc (Aluminum)(11.00/20 Tire) Each Includes:	2
B	14QJ 215P1	RING, Side	1
C	14QJ 213AP1	RING, Lock	1
A	13QJA 326P2	WHEEL ASSEMBLY, Disc (Aluminum)(11.00/22 Tire) Each Includes:	2
B	14QJ 215P2	RING, Side	1
C	14QJ 213AP2	RING, Lock	1
A	13QJA 312AP4	WHEEL ASSEMBLY, Disc (Steel)(11.00/20 Tire) Each Includes:	2
B	14QJ 215AP1	RING, Side	1
C	14QJ 213AP1	RING, Lock	1
A	13QJA 312AP5	WHEEL ASSEMBLY, Disc (Steel)(11.00/22 Tires) Each Includes:	2
B	14QJ 215AP2	RING, Side	1
C	14QJ 213AP2	RING, Lock	1
A	13QJA 327AP1	WHEEL ASSEMBLY, Disc (Hi-Tensile Steel)(10.00/20 & 10.3/20 Tire) Each Includes:	2
B	14QJ 216P1	RING, Side	1
C	Not Used		
A	13QJA 327AP2	WHEEL ASSEMBLY, Disc(Hi-Tensile Steel)(10.00/22 Tire) Each Includes:	2
B	14QJ 216P2	RING, Side	1
C	Not Used		
D	25QJ 152	NUT, Wheel Bearing Adjusting Attaching Parts:	2
E		SCREW, cap, w/cotter hole 3/8-24 NF x 2-1/8(1"thd.)(2AX 10)	2
F		NUT, Castle 3/8-24 NF (19AX 3)	2
G	3AX 31	SCREW (3/8 x 9/16)	2
H	23QJ 122	WASHER, Wheel Bearing Adjusting Nut Lock	2
J	62AX 364	CONE, Wheel Bearing (Outer)	2
K	62AX 160	CONE, Wheel Bearing (Inner)	2
L	88AX 138	SEAL, Wheel Bearing Oil (Steel Disc Wheels Only)	2
L	88AX 110	SEAL, Wheel Bearing Oil(Spoke Wheels & Aluminum Disc Wheels)	2

11/6/64 vj-mes

KEY	PART NUMBER	DESCRIPTION	NO. REQ.
SECTION 85A - 1QHA 4143CP2(FA522)(Cont.)			
M	29QJ 123	SPACER, Inner Wheel Bearing	2
N	31AX 93	Attaching Parts: PIN, Lock	2
P	10QC 31AP22	STUD, Steering Lever Ball	1
Q		Attaching Parts:	
R		NUT, Castle 3/4-16 NF (19AX 9)	1
S	5QH 387P1	COTTER PIN, stl. 1/8 x 1-1/2 (29AX 5)	1
		LEVER, Steering	1
T	21AX 19	Attaching Parts: NUT (1-1/4-12)	1
U		COTTER PIN, stl. 3/16 x 2-1/4 (29AX 8)	1
V	42AX 605	KEY, Steering Lever	1
W	18QH 17	CAP, Steering Knuckle Pin	2
X		Attaching Parts: GASKET, Maker Steering Knuckle Pin Cap	2
Y		SCREW, machine fillister sltd. hd. stl. 1/4-28 NF x 1/2 (3AX 23)	6
Z		WASHER, Lock, Light 1/4 I.D.(36AX 31)	6
AA	4QHA 4136	KNUCKLE, Steering L.H.	1
AA	4QHA 4135	KNUCKLE, Steering R.H.	1
AB	12QD 1205	BUSHING (Lower)	1
AC	67AX 301	BEARING, Needle (Upper)	1
AC-1	88AX 338	SEAL, Grease (Lower)	1
AC-2	88AX 339	SEAL, Grease (Upper)	1
AD		FITTING, Hyd. 85°, 1/8 Pipe thd. Male Steering Knuckle (Top) (44AX 65)	2
AE		FITTING, Hyd. Straight 1/8 Pipe thd. Male Steering Knuckle (Bottom)(44AX 115)	1
AF	30LSQA 47	PIN SET, Steering Knuckle	1
AF-1	22QH 127	Consists of: PIN, Steering Knuckle	2
(AB)	12QD 1205	BUSHING (Lower)	2
(AC)	67AX 301	BEARING, Needle (Upper)	2
(AC-1)	88AX 338	SEAL, Grease (Lower)	2
(AC-2)	88AX 339	SEAL, Grease (Upper)	2
(AG)	12QD 1160	BEARING, Thrust	2
(X)		GASKET, Maker Steering Knuckle Pin Cap	2
(AB)	80AX 465	BUSHING (Lower)	2
(AC)	80AX 464	BUSHING (Upper)	2
AG	12QD 1160	BEARING, Steering Knuckle Thrust	2
AH	43RU 1442	SCREW, Steering Knuckle Thrust Bearing Adjusting	2
AJ		Attaching Parts: COTTER PIN, stl. 1/4 x 3-1/2 (29AX 64)	2
AK	3AX 297	SCREW, Steering Arm Stop	2
AL		Attaching Parts: NUT, hex. 3/4-16 NF (20AX 8)	2
AM	3QH 443AP1	AXLE, Front (Center)	1
AN	5QH 298	LEVER, Cross Steering	2
AP	21AX 19	Attaching Parts: NUT (1-1/4-12)	2
AQ		COTTER PIN, stl. 3/16 x 2-1/4 (29AX 8)	2
AR	42AX 605	KEY, Cross Steering Lever	2
AS	7QHA 22BP17	TUBE ASSEMBLY, Cross Steering (For Components, see back of Group)	1
AT		Attaching Parts: NUT, Castle 3/4-16 NF Cross Steering Tube Ball Stud(19AX 9)	2
AU		COTTER PIN, stl. 1/8 x 1-1/2 (29AX 5)	2
AV		FITTING, Hyd. 85°, 1/8 Pipe thd. Male Cross Steering Tube (44AX 65)	2
AW	35AX 1356	RETAINER, Cross Steering Tube Ball Stud Felt	2
AX	104AX 84	FELT, Cross Steering Tube Ball Stud	2

KEY	PART NUMBER	DESCRIPTION	NO. REQ.
SECTION 85A - 1QHA 41430P2(FA522)(Cont.)			
FRONT BRAKES			
Key Letters Indicated on Illustration #1B-178-2.			
A	202SM 68A	LINING KIT, Front Brake Shoe	1
B		Attaching Parts: SCREW, cap, flat hd. brass 3/8-24 NF x 1-1/2 (1"thd.) (5AX 120)	
C		NUT, hex. 3/8-24 NF (20AX 3)	32
D		WASHER, Lock, 3/8 I.D.(36AX 3)	32
E	7QDA 1176	SHOE ASSEMBLY, Front Brake	32
F	80AX 283	Includes: BUSHING, Front Brake Shoe	4
G	6QDA 120	PLATE ASSEMBLY, Wear	4
G	32AX 26	Includes: PIN, Wear Plate	2
H	18QD 11	STRAP, Brake Shoe Anchor Pin	2
J	48RU 1596	WASHER, Front Brake Shoe Anchor Pin	4
K	58AX 55	SPRING, Brake Shoe Retractor	2
L	19QD 2257	CAM, Front Brake L.H.	1
L	19QD 2256	CAM, Front Brake R.H.	1
M	34QD 133	PIN, Front Brake Shoe Anchor	4
N		Attaching Parts: NUT, hex. 7/8-14 NF (20AX 11)	4
P		WASHER, Lock, 7/8 I.D.(36AX 10)	4
Q	20QDA 238	PLATE ASSEMBLY, Brake Anchor L.H.	1
Q	20QDA 237	PLATE & BRACKET ASSEMBLY, Brake Anchor R.H.	1
R	9QD 22	Includes: BRACKET, L.H.	1
R	9QD 21	BRACKET, R.H.	1
S		Attaching Parts: RIVET, stl. button hd. 3/8 x 1-1/8 (24AX 9)	10
T		Attaching Parts: SCREW, cap, 5/8-18 NF x 2 (1-1/2"thd.)(1AX 62)	8
U		NUT, hex. 5/8-18 NF (20AX 7)	8
V		WASHER, Lock, 5/8 I.D.(36AX 7)	8
W	30QJ 23P1	SLINGER, Oil	2
X	41AX 222	FELT, Brake Cam	4
Y	15QD 177	WASHER, Brake Cam Spacer	2
Z	37QDA 156A	BRACKET ASSEMBLY, Front Brake Cam & Air Chamber L.H.	1
Z	37QDA 155A	BRACKET ASSEMBLY, Front Brake Cam & Air Chamber R.H.	1
AA	80AX 395	Each Includes: BUSHING, Front Brake Cam & Air Chamber Bracket	2
AB		Attaching Parts: SCREW, cap, 5/8-18 NF x 1-3/8 (Full thd.)(1AX 168)	6
AC		SCREW, cap, 5/8-18 NF x 2-1/4 (1-1/2"thd.)(1AX 97)	2
AD		NUT, hex. 5/8-18 NF (20AX 7)	8
AE		WASHER, Lock, 5/8 I.D.(36AX 7)	8
AF	35AX 1292	WASHER	2
AG	25QDA 21CP17	ADJUSTER ASSEMBLY, Front Slack (For Components, see back of Group)	2
AH		Attaching Parts: SCREW, cap, 1/2-20 NF x 1-1/4 (Full thd.)(1AX 42)	2
AJ		WASHER, Lock, 1/2 I.D.(36AX 5)	2
AK	35AX 1131	WASHER, 33/64 I.D. x 7/16 thick	2
AL	30QJ 120	DEFLECTOR, Oil	2
AM		Attaching Parts: SCREW, cap, 1/4-28 NF x 5/8 (Full thd.)(1AX 8)	4
AN		NUT, hex. 1/4-28 NF (20AX 1)	4
AP		WASHER, Lock, 1/4 I.D.(36AX 1)	4
AQ	19QE 221P3	CHAMBER, Front Brake Air (For Components, see back of Group)	1
AR		FITTING Hyd. Straight 1/8 Pipe thd. Male Brake Cam Bracket (44AX 115)	1

KEY	PART NUMBER	DESCRIPTION	NO. REQ.
		<u>SECTION 85A - 1QHA 4143CP2(FA522)(Cont.)</u>	
		<u>FRONT BRAKES (Cont.)</u>	
-	3QJA 261BP	WHEEL & DRUM ASSEMBLY (See Group 12D, Section 4)	
-	5QJA 243CP	HUB & DRUM ASSEMBLY	
-	5QJA 244CP	HUB & DRUM ASSEMBLY (See Group 12E, Section 14)	
-	5QJA 258AP	HUB & DRUM ASSEMBLY (Aluminum)	
-	5QJA 259AP	HUB & DRUM ASSEMBLY (Aluminum) (See Group 12E, Section 14)	
		<u>SECTION 85B - 1QHA 4143CP4(FA522)</u> Same as 1QHA 4143CP2(Section 85A)Except	
		<u>AXLE</u>	
AN	5QH 2112	LEVER, Cross Steering	2
		<u>SECTION 85C - 1QHA 4143CP5(FA523)</u> Same as 1QHA 4143CP2(Section 85A)Except	
		<u>AXLE</u>	
AM	3QH 443AP4	AXLE, Front (Center)	1
AN	5QH 2112	LEVER, Cross Steering	2
AS	7QHA 22BP2	TUBE ASSEMBLY, Cross Steering (For Components, see back of Group)	1
		<u>SECTION 85D - 1QHA 4143CP6(FA522)</u> Same as 1QHA 4143CP2(Section 85A)Except	
		<u>AXLE</u>	
S	5QH 386	LEVER, Steering	1
		<u>SECTION 85E - 1QHA 4143CP7(FA522)</u> Same as 1QHA 4143CP2(Section 85A)Except	
		<u>AXLE</u>	
S	5QH 386	LEVER, Steering	1
AN	5QH 2112	LEVER, Cross Steering	2
		<u>SECTION 85F - 1QHA 4143CP9(FA522)</u> Same as 1QHA 4143CP2(Section 85A)Except	
		<u>AXLE</u>	
P	10QC 31AP8	STUD, Steering Lever Ball	1
Q	21AX 137	NUT	1
S	5QH 381	LEVER, Steering	1
AN	5QH 2112	LEVER, Cross Steering	2
		<u>SECTION 85G - 1QHA 4143CP10(FA522)</u> Same as 1QHA 4143CP2(Section 85A)Except	
		<u>AXLE</u>	
P	10QC 31AP8	STUD, Steering Lever Ball	1
Q	21AX 137	NUT	1
S	5QH 381	LEVER, Steering	1

KEY	PART NUMBER	DESCRIPTION	NO. REQ.
		SECTION 85H - 1QHA 4143CP13(FA523) Same as 1QHA 4143CP2(Section 85A)Except	
		<u>AXLE</u>	
S	5QH 3122	LEVER, Steering	1
AM	3QH 443AP10	AXLE, Front (Center)	1
AN	5QH 2112	LEVER, Cross Steering	2
AS	7QHA 22BP2	TUBE ASSEMBLY, Cross Steering (For Components, see back of Group)	1
		SECTION 85J - 1QHA 4143CP15(FA523) Same as 1QHA 4143CP2(Section 85A)Except	
		<u>AXLE</u>	
P	10QC 31AP7	STUD, Steering Lever Ball	1
AM	3QH 443AP4	AXLE, Front (Center)	1
AN	5QH 2112	LEVER, Cross Steering	2
AS	7QHA 22BP2	TUBE ASSEMBLY, Cross Steering (For Components, see back of Group)	1
		SECTION 85K - 1QHA 4143CP16(FA532) Same as 1QHA 4143CP2(Section 85A)Except	
		<u>AXLE</u>	
P	}	SEE STEERING GROUP 10F	
Q			
R			
S			
AM		5QH 3148P2	LEVER, Steering
AN	3QH 443AP11	AXLE, Front (Center)	1
AN	5QH 2112	LEVER, Cross Steering	2
AS	7QHA 22BP24	TUBE ASSEMBLY, Cross Steering (For Components, see back of Group)	1
		SECTION 85L - 1QHA 4143CP17(FA522) Same as 1QHA 4143CP2(Section 85A)Except	
		<u>AXLE</u>	
P	10QC 31AP24	STUD, Steering Lever Ball	1
		SECTION 85M - 1QHA 4143CP18(FA522) Same as 1QHA 4143CP2(Section 85A)Except	
		<u>AXLE</u>	
P	10QC 31AP24	STUD, Steering Lever Ball	1
S	5QH 386	LEVER, Steering	1
		SECTION 85N - 1QHA 4143CP19(FA532) Same as 1QHA 4143CP2(Section 85A)Except	
		<u>AXLE</u>	
P	}	SEE STEERING GROUP 10F	
Q			
R			
S			
AK		5QH 3159	LEVER, Steering
AL	7AX 250	SCREW, Steering Arm Stop	2
AM	21AX 620	NUT	2
AN	3QH 443AP13	AXLE, Front (Center)	1
AN	5QH 2112	LEVER, Cross Steering	2
AS	7QHA 22BP24	TUBE ASSEMBLY, Cross Steering (For Components, see back of Group)	1



**MACK TRUCK-TRACTOR PARTS BOOK**  
**TITLE FRONT AXLE ARRANGEMENT**

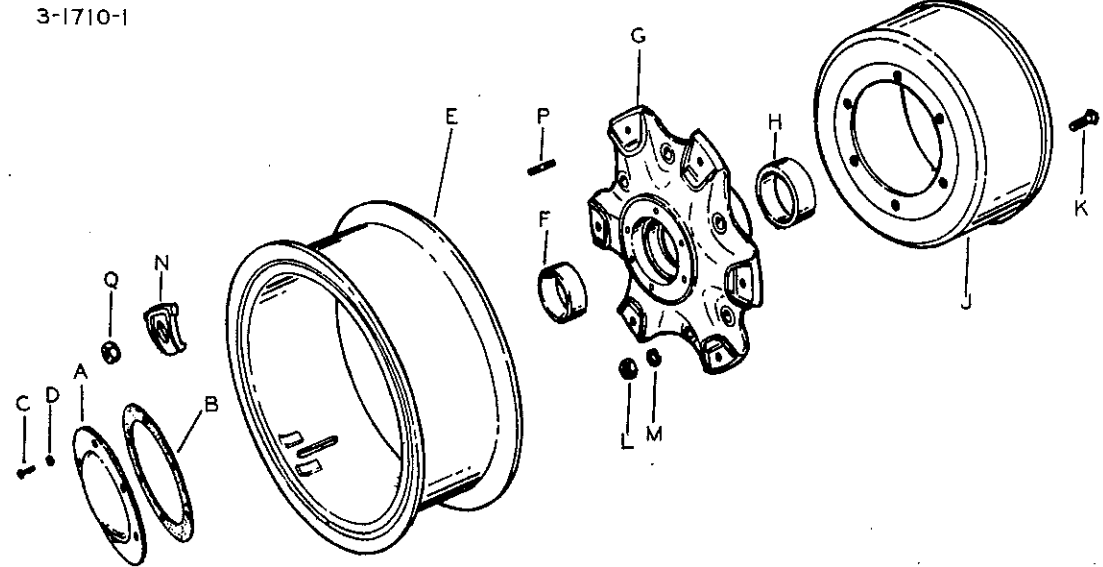
**GROUP 12 SECTION 85**  
**(Continued)**

KEY	PART NUMBER	DESCRIPTION	NO. REQ.
		<u>SECTION 85P - 1QHA 4143CP20(FA523)</u> Same as 1QHA 4143CP2(Section 85A)Except	
		<u>AXLE</u>	
P Q R S AM AN AS		SEE STEERING GROUP 10F	
	5QH 3148P1	LEVER, Steering	1
	3QH 443AP12	AXLE, Front (Center)	1
	5QH 2112	LEVER, Cross Steering	2
	7QH 22BP2	TUBE ASSEMBLY, Cross Steering (For Components, see back of Group)	1
		<u>SECTION 85Q - 1QHA 4143CP21(FA532)</u> Same as 1QHA 4143CP2(Section 85A)Except	
		<u>AXLE</u>	
P Q R S AM AN AS		SEE STEERING GROUP 10F	
	5QH 3161	LEVER, Steering	1
	3QH 443AP11	AXLE, Front (Center)	1
	5QH 2112	LEVER, Cross Steering	2
	7QHA 22BP24	TUBE ASSEMBLY, Cross Steering (For Components, see back of Group)	1
		<u>SECTION 85R - 1QHA 4143CP22(FA532)</u> Same as 1QHA 4143CP2(Section 85A)Except	
		<u>AXLE</u>	
P Q R S AK AL AM AN AS		SEE STEERING GROUP 10F	
	5QH 3168	LEVER, Steering	1
	7AX 250	SCREW, Steering Arm Stop	2
	21AX 620	NUT	2
	3QH 443AP13	AXLE, Front (Center)	1
	5QH 2112	LEVER, Cross Steering	2
	7QHA 22BP24	TUBE ASSEMBLY, Cross Steering (For Components, see back of Group)	1
		<u>BRAKES</u>	
AH AH AJ AJ AK AK	3AX 1567	SCREW, cap, 1/2-20 NF x 1-1/4 (Full thd.) R.H. (1AX 42) SCREW, L.H.	1 1
		WASHER, Lock, 1/2 I.D.R.H. (36AX 5)	1
	35AX 1389	WASHER, Lock, L.H.	1
	35AX 1131	WASHER, R.H.	1
	44RU 11017P2	SPACER, L.H.	1
		<u>SECTION 85S - 1QHA 4143CP23(FA522)</u> Same as 1QHA 4143CP2(Section 85A)Except	
		<u>AXLE</u>	
S	5QH 3172P1	LEVER, Steering	1
		<u>SECTION 85T - 1QHA 4143CP24(FA522)</u> Same as 1QHA 4143CP2(Section 85A)Except	
		<u>AXLE</u>	
P S	10QC 31AP24	STUD, Steering Lever Ball	1
	5QH 3172P1	LEVER, Steering	1



Quantity used is 1 unless otherwise specified in brackets ( ).

KEY	PART NUMBER	DESCRIPTION	KEY	PART NUMBER	DESCRIPTION
-----	-------------	-------------	-----	-------------	-------------



SECTION 3A - 3QJA 262P1  
10/20 & 11/20 Tire

A	19QJ 238P1	CAP, Frt Hub
B	94RU 226A	Att Parts: GASKET
C	4AX 99	SCREW, 5/16-18 NC x 3/4 (6)
D	36AX 22	WASHER, 5/16 ID (6)
E		RIM, Frt Whl (See Group 12)
F	64AX 48	CUP, Whl Brg (Out)
G	2QJ 3104P1	WHEEL, Frt Spoke
H	64AX 52	CUP, Whl Brg (In)
J	17QJ 3162B	DRUM, Frt Brk
K	3AX 1250	Att Parts: SCREW, 5/8-18 NF (6)
L	20AX 7	NUT, 5/8-18 NF (6)
M	36AX 7	WASHER, 5/8 ID (6)
N	15QJ 121B	LUG, Rim Clamping (6)
P	18AX 1068	Att Parts: STUD (5/8 x 1-23/32) (6)
Q	23AX 229	NUT (5/8-11) (6)

SECTION 3F - 3QJA 262AP4  
10/22 Tire  
Same as Section 3A Except

G	2QJ 3104P2	WHEEL, Frt Spoke
J )		Thru) Omit
M )		

SECTION 3G - 3QJA 262AP5  
10/20 & 11/20 Tire  
Same as Section 3A Except

A	19QJ 238P2	CAP, Frt Hub
---	------------	--------------

SECTION 3H - 3QJA 262BP1  
10/20 & 11/20 Tire  
Same as Section 3A

NO PART NUMBER CHANGES

SECTION 3J - 3QJA 262BP2  
10/22 & 11/22 Tire  
Same as Section 3A Except

G	2QJ 3104P2	WHEEL, Frt Spoke
---	------------	------------------

SECTION 3K - 3QJA 262BP5  
9/20, 10/20 & 11/20 Tire  
Same as Section 3A Except

A	19QJ 238P2	CAP, Frt Hub
---	------------	--------------

SECTION 3L - 3QJA 151  
10/20, 10.3/20 & 11/20 Tire  
Same as Section 3A Except

G	2QJ 3104P2	WHEEL, Frt Spoke
---	------------	------------------

J )		Thru) Omit
M )		

N	15QJ 159A	LUG, Rim Clamping (6)
---	-----------	-----------------------

SECTION 3E - 3QJA 262AP3  
10/20, 10.3/20 & 11/20 Tire  
Same as Section 3A Except

SECTION 3M - 3QJA 294  
10/20 & 11/20 Tire  
Same as Section 3A Except

J )		Thru) Omit
M )		

G	2QJ 25P1	WHEEL, Frt Spoke
---	----------	------------------





TRUCK-TRACTOR PARTS BOOK

TITLE FRONT WHEEL & DRUM ASSEMBLY

GROUP 12D SECTION 3

(Continued)

Quantity used is 1 unless otherwise specified in brackets ( ).

KEY	PART NUMBER	DESCRIPTION	KEY	PART NUMBER	DESCRIPTION
		<u>SECTION 3M - 3QJA 294 (Cont)</u>			<u>SECTION 3X - 3QJA 264AP3</u> 9/20, 10/20 & 11/20 Tire Same as Section 3A Except
N-1	291KD 1128	GEAR, Speed Drv Att Parts:			
N-2	7AX 198	SCREW, Set (3)	A	19QJ 238P2	CAP, Frt Hub Chrome
		<u>SECTION 3N - 3QJA 295</u> 10/20 Tire Same as Section 3A Except	J	17QJ 3174AP1	DRUM, Frt Brk
A	---	CAP, Hub Frt (See Group 12)	A	---	CAP, Frt Hub (See Group 12)
B	---	GASKET, (See Group 12)	B	---	GASKET (See Group 12)
J )					
Thru)	Omit				<u>SECTION 3Y - 3QJA 278P1</u> Same as Section 3A Except
M )					
		<u>SECTION 3P - 3QJA 2100</u> 10/20 & 11/20 Tire Same as Section 3A	A	---	CAP, Front Hub (See Group 12)
		NO PART NUMBER CHANGES	B	---	GASKET (See Group 12)
		<u>SECTION 3Q - 3QJA 273P1</u> 10/22 Tire Same as Section 3A Except	G	2QJ 3104P2	WHEEL, Frt Spoke
			J )		
			Thru)	Omit	
			M )		
A	---	CAP, Hub Frt (See Group 12)	A	---	CAP, Frt Hub (See Group 12)
B	---	GASKET (See Group 12)	B	---	GASKET (See Group 12)
D	---	WASHER (See Group 12)	G	2QJ 3104P2	WHEEL, Frt Spoke
G	2QJ 3104P2	WHEEL, Frt Spoke			
		<u>SECTION 3R - 3QJA 273P2</u> 10/20 & 11/20 Tire Same as Section 3A Except			<u>SECTION 3AB - 3QJA 282P1</u> 10/22 Tire Same as Section 3A Except
			G	2QJ 3104P2	WHEEL, Frt Spoke
A	---	CAP, Hub Frt (See Group 12)	J )		
B	---	GASKET (See Group 12)	Thru)	Omit	
D	---	WASHER (See Group 12)	M )		
		<u>SECTION 3S - 3QJA 264P1</u> 10/20 & 11/20 Tire Same as Section 3A Except	N	15QJ 159	LUG, Rim Clamping (6)
					<u>SECTION 3AC - 3QJA 288P1</u> 10/22 Tire Same as Section 3A Except
J	17QJ 3174AP1	DRUM, Frt Brk			
		<u>SECTION 3T - 3QJA 264P2</u> 10/22 & 11/22 Tire Same as Section 3A Except	A	---	CAP, Frt Hub (See Group 12)
			B	---	GASKET (See Group 12)
			G	2QJ 3104P2	WHEEL, Frt Spoke
G	2QJ 3104P2	WHEEL, Frt Spoke			<u>SECTION 3AD - 3QJA 288P2</u> 10/20 Tire Same as Section 3A Except
J	17QJ 3174AP1	DRUM, Frt Brk			
		<u>SECTION 3U - 3QJA 264P3</u> 10/20 & 11/22 Tire Same as Section 3A Except	A	---	CAP, Frt Hub (See Group 12)
			B	---	GASKET (See Group 12)
A	19QJ 238P2	CAP, Frt Hub Chrome			<u>SECTION 3AE - 3QJA 288AP1</u> 10/22 Tire Same as Section 3A Except
J	17QJ 3174AP1	DRUM, Frt Brk			
		<u>SECTION 3V - 3QJA 264AP1</u> 10/20 & 11/20 Tire Same as Section 3A Except	A	---	CAP, Frt Hub (See Group 12)
			B	---	GASKET (See Group 12)
			G	2QJ 3104P2	WHEEL, Frt Spoke
J	17QJ 3174AP1	DRUM, Frt Brk			<u>SECTION 3AF - 3QJA 288AP3</u> 10/20 Tire Same as Section 3A Except
		<u>SECTION 3W - 3QJA 264AP2</u> 10/22 & 11/22 Tire Same as Section 3A Except	A	---	CAP, Frt Hub (See Group 12)
			B	---	GASKET (See Group 12)
G	2QJ 3104P2	WHEEL, Frt Spoke			
J	17QJ 3174AP1	DRUM, Frt Brk			





Quantity used is 1 unless otherwise specified in brackets ( ).

KEY	PART NUMBER	DESCRIPTION	KEY	PART NUMBER	DESCRIPTION
		<u>SECTION 3AG - 3QJA 288AP4</u> 10/20 Tire Same as Section 3A Except			<u>SECTION 3AQ - 3QJA 261AP6</u> 10/20 & 11/20 Tire Same as Section 3A Except
A	---	CAP, Frt Hub (See Group 12)	F	64AX 181	CUP, Whl Brg Out
B	----	GASKET (See Group 12)	G	2QJ 3105P1	WHEEL, Frt Spoke
J )			H	64AX 199	CUP, Whl Brg In
Thru) Omit			J	17QJ 3174AP1	DRUM, Frt Brk
M )					
		<u>SECTION 3AH - 3QJA 261P1</u> 10/20 & 11/20 Tire Same as Section 3A Except			<u>SECTION 3AR - 3QJA 261AP7</u> 10/22 & 11/22 Tire Same as Section 3A Except
B		GASKET MAKER (AR)	F	64AX 181	CUP, Whl Brg Out
F	64AX 181	CUP, Whl Brg Out	G	2QJ 3105P2	WHEEL, Frt Spoke
G	2QJ 3105P1	WHEEL, Frt Spoke	H	64AX 199	CUP, Whl Brg In
H	64AX 199	CUP, Whl Brg In	J	17QJ 3174AP1	DRUM, Frt Brk
		<u>SECTION 3AJ - 3QJA 261P2</u> 10/22 & 11/22 Tire Same as Section 3A Except			<u>SECTION 3AS - 3QJA 261AP8</u> 11/24 Tire Same as Section 3A Except
B		GASKET MAKER (AR)	F	64AX 181	CUP, Whl Brg Out
F	64AX 181	CUP, Whl Brg Out	G	2QJ 3105P3	WHEEL, Frt Spoke
G	2QJ 3105P2	WHEEL, Frt Spoke	H	64AX 199	CUP, Whl Brg In
H	64AX 199	CUP, Whl Brg In	N	15QJ 151	LUG, Rim Clamping (6)
		<u>SECTION 3AK - 3QJA 261AP1</u> 10/20 & 11/20 Tire Same as Section 3A Except			<u>SECTION 3AT - 3QJA 261BP1</u> 10/20, 11/20 & 15/22.5 Tire Same as Section 3A Except
F	64AX 181	CUP, Whl Brg Out	F	64AX 181	CUP, Whl Brg Out
G	2QJ 3105P1	WHEEL, Frt Spoke	G	2QJ 3105P1	WHEEL, Frt Spoke
H	64AX 199	CUP, Whl Brg In	H	64AX 199	CUP, Whl Brg In
		<u>SECTION 3AL - 3QJA 261AP2</u> 10/22 & 11/22 Tire Same as Section 3A Except			<u>SECTION 3AU - 3QJA 261BP2</u> 10/22 & 11/22 Tire Same as Section 3A Except
F	64AX 181	CUP, Whl Brg Out	F	64AX 181	CUP, Whl Brg Out
G	2QJ 3105P2	WHEEL, Frt Spoke	G	2QJ 3105P2	WHEEL, Frt Spoke
H	64AX 199	CUP, Whl Brg In	H	64AX 199	CUP, Whl Brg In
		<u>SECTION 3AM - 3QJA 261AP3</u> 11/24 & 12/24 Tire Same as Section 3A Except			<u>SECTION 3AV - 3QJA 261BP3</u> 11/24 & 12/24 Tire Same as Section 3A Except
F	64AX 181	CUP, Whl Brg Out	F	64AX 181	CUP, Whl Brg Out
G	2QJ 3105P3	WHEEL, Frt Spoke	G	2QJ 3105P3	WHEEL, Frt Spoke
H	64AX 199	CUP, Whl Brg In	H	64AX 199	CUP, Whl Brg In
		<u>SECTION 3AN - 3QJA 261AP4</u> 10/20 & 11/20 Tire Same as Section 3A Except			<u>SECTION 3AW - 3QJA 261BP6</u> 10/20 & 11/20 Tire Same as Section 3A Except
F	64AX 181	CUP, Whl Brg Out	F	64AX 181	CUP, Whl Brg Out
G	2QJ 3105P1	WHEEL, Frt Spoke	G	2QJ 3105P1	WHEEL, Frt Spoke
H	64AX 199	CUP, Whl Brg In	H	64AX 199	CUP, Whl Brg In
J )			J	17QJ 3174AP1	DRUM, Frt Brk
Thru) Omit					
M )					
		<u>SECTION 3AP - 3QJA 261AP5</u> 10/22 & 11/22 Tire Same as Section 3A Except			<u>SECTION 3AX - 3QJA 261BP8</u> 11/24 Tire Same as Section 3A Except
F	64AX 181	CUP, Whl Brg Out	F	64AX 181	CUP, Whl Brg Out
G	2QJ 3105P2	WHEEL, Frt Spoke	G	2QJ 3105P3	WHEEL, Frt Spoke
H	64AX 199	CUP, Whl Brg In	H	64AX 199	CUP, Whl Brg In
J )			N	15QJ 151	LUG, Rim Clamping (6)
Thru) Omit					
M )					





Quantity used is 1 unless otherwise specified in brackets ( ).

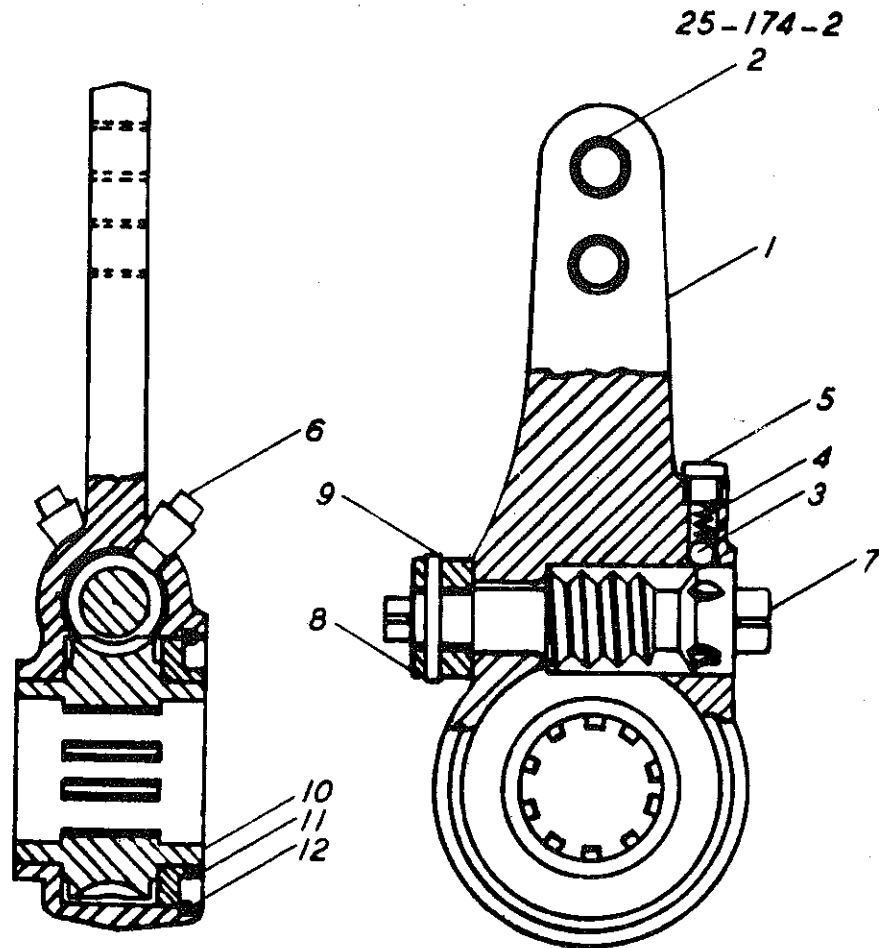
KEY	PART NUMBER	DESCRIPTION	KEY	PART NUMBER	DESCRIPTION
<u>SECTION 3AY - 3QJA 148</u>			<u>SECTION 3BG - 3QJA 261BP14</u>		
Same as Section 3A Except			10/20 & 11/20 Tire		
Same as Section 3A Except			Same as Section 3A Except		
A	19QJ 238P2	CAP, Frt Hub	F	64AX 181	CUP, Whl Brg Out
F	64AX 181	CUP, Whl Brg Out	G	2QJ 410	WHEEL, Frt Spoke
G	2QJ 3105P1	WHEEL, Frt Spoke	H	64AX 199	CUP, Whl Brg In
H	64AX 199	CUP, Whl Brg In	J	17QJ 3174AP1	DRUM, Frt Brk
<u>SECTION 3AZ - 3QJA 153</u>			<u>SECTION 3BH - 3QJA 261BP15</u>		
Same as Section 3A Except			10/20 & 11/20 Tire		
Same as Section 3A Except			Same as Section 3A Except		
A	19QJ 238P2	CAP, Frt Hub	F	64AX 181	CUP, Whl Brg Out
F	64AX 181	CUP, Whl Brg Out	G	2QJ 410	WHEEL, Frt Spoke
G	2QJ 3105P1	WHEEL, Frt Spoke	H	64AX 199	CUP, Whl Brg In
H	64AX 199	CUP, Whl Brg In	J		
J	17QJ 3174AP1	DRUM, Frt Brk	Thru)	Omit	
<u>SECTION 3BA - 3QJA 157</u>			M	)	
10/22 & 11/22 Tire					
Same as Section 3A Except					
<u>SECTION 3BB - 3QJA 261BP9</u>			<u>SECTION 3BJ - 3QJA 261BP16</u>		
15/22.5 Tire			10/22 & 11/22 Tire		
Same as Section 3A Except			Same as Section 3A Except		
A	19QJ 238P2	CAP, Frt Hub	F	64AX 181	CUP, Whl Brg Out
F	64AX 181	CUP, Whl Brg Out	G	2QJ 411	WHEEL, Frt Spoke
G	2QJ 3105P2	WHEEL, Frt Spoke	H	64AX 199	CUP, Whl Brg In
H	64AX 199	CUP, Whl Brg In	J		
<u>SECTION 3BC - 3QJA 261BP10</u>			Thru)	Omit	
11/24 & 12/24 Tire			M	)	
Same as Section 3A Except					
F	64AX 181	CUP, Whl Brg Out			
G	2QJ 45	WHEEL, Frt Spoke			
H	64AX 199	CUP, Whl Brg In			
N	15QJ 162	LUG, Rim Clamping (6)			
<u>SECTION 3BD - 3QJA 261BP11</u>					
11/24 Tire					
Same as Section 3A Except					
F	64AX 181	CUP, Whl Brg Out			
G	2QJ 45	WHEEL, Frt Spoke			
H	64AX 199	CUP, Whl Brg In			
N	15QJ 151	LUG, Rim Clamping (6)			
<u>SECTION 3BE - 3QJA 261BP12</u>					
10/20, 11/20 & 15/22.5 Tire					
Same as Section 3A Except					
F	64AX 181	CUP, Whl Brg Out			
G	2QJ 410	WHEEL, Frt Spoke			
H	64AX 199	CUP, Whl Brg In			
<u>SECTION 3BF - 3QJA 261BP13</u>					
10/22 & 11/22 Tire					
Same as Section 3A Except					
F	64AX 181	CUP, Whl Brg Out			
G	2QJ 411	WHEEL, Frt Spoke			
H	64AX 199	CUP, Whl Brg In			



THIS REPLACES ALL COPIES DATED PRIOR TO OCTOBER 29, 1964  
 MACK CHASSIS NUMBER must always be given with PART NUMBER when ordering.

### COMPONENT PARTS

25QDA 21CP1 thru P48  
 SLACK ADJUSTER



NO.	PART NUMBER	DESCRIPTION	NO. REQ'D.
1	28QD 37AP1	HOUSING, Slack Adjuster (P3 & P5)	1
1	28QD 37AP2	HOUSING, Slack Adjuster (P1 & P2)	1
1	28QD 37AP3	HOUSING, Slack Adjuster (P4, P10 & P20)	1
1	28QD 37AP4	HOUSING, Slack Adjuster (P6 & P9)	1
1	28QD 37AP5	HOUSING, Slack Adjuster (P7)	1
1	28QD 37AP6	HOUSING, Slack Adjuster (P8 & P22)	1
1	28QD 37AP7	HOUSING, Slack Adjuster (P11 & P19)	1
1	28QD 37AP8	HOUSING, Slack Adjuster (P13 & P14)	1
1	28QD 37AP9	HOUSING, Slack Adjuster (P12 & P15)	1
1	28QD 37AP10	HOUSING, Slack Adjuster (P16 & P17)	1
1	28QD 37AP11	HOUSING, Slack Adjuster (P18)	1
1	28QD 37AP13	HOUSING, Slack Adjuster (P21)	1
1	28QD 37AP14	HOUSING, Slack Adjuster (P38 & P48)	1
1	28QD 321	HOUSING, Slack Adjuster (P23)	1

IK

This Replaces All Copies Dated Prior to OCTOBER 29, 1964

**MACK CHASSIS NUMBER must always be given with PART NUMBER when ordering.**

**COMPONENT PARTS**

25QDA 21C-P1 Thru P48

SLACK ADJUSTER

LINE NO.	PART NUMBER	DESCRIPTION	NO. REQ.
1	28QD 323P4	HOUSING, Slack Adjuster (P24, P27)	1
1	28QD 232P5	HOUSING, Slack Adjuster (P25)	1
1	28QD 323P6	HOUSING, Slack Adjuster (P26, P37)	1
1	28QD 323P7	HOUSING, Slack Adjuster (P28, P36)	1
1	28QD 323P8	HOUSING, Slack Adjuster (P30, P31)	1
1	28QD 323P9	HOUSING, Slack Adjuster (P29, P32)	1
1	28QD 323P10	HOUSING, Slack Adjuster (P33, P34)	1
1	28QD 323P11	HOUSING, Slack Adjuster (P35)	1
1	28QD 323P14	HOUSING, Slack Adjuster (P39)	1
1	28QD 328P1	HOUSING, Slack Adjuster (P40)	1
1	28QD 328P2	HOUSING, Slack Adjuster (P41)	1
1	28QD 329P1	HOUSING, Slack Adjuster (P42)	1
1	28QD 329P2	HOUSING, Slack Adjuster (P43)	1
1	28QD 331	HOUSING, Slack Adjuster (P44)	1
1	28QD 332	HOUSING, Slack Adjuster (P45)	1
1	28QD 333	HOUSING, Slack Adjuster (P46)	1
1	28QD 334	HOUSING, Slack Adjuster (P47)	1
2	80AX 206	BUSHING, Slack Adjuster (P1 thru P3, P5, P21, P38 thru P42, P46 Thru P48)	2
2	80AX 206	BUSHING, Slack Adjuster, (P4, P6 thru P20, P22 thru P37, P43 thru P45)	1
3	48AX 6	BALL, Slack Adjuster Lock	1
4	58AX 137	SPRING, Slack Adjuster Lock Ball	1
5	49AX 70	PLUG, Slack Adjuster Lock Ball Spring	1
6	63AX 3	PLUG, Oil, (P1, P2, P4, P6, P7, P9 thru P15, P18 thru P21, P23 thru 25, P27 thru P32, P34, P35, P38, P40 thru P48)	2
6	63AX 3	PLUG, Oil, (P3, P5, P8, P16, P17, P22, P26, P32, P33, P37, & P39)	1
7	26QD 15P1	WORM, Slack Adjuster, (P1 thru P18, P23 thru P35, P38 thru P47)	1
7	26QD 15P2	WORM, Slack Adjuster, (P21, P22, P37)	1
7	26QD 17	WORM, Slack Adjuster, (P19, P20, P36)	1
8	26QD 110	WORM, Slack Adjuster (P48)	1
8	86QD 114	COLLAR, Slack Adjuster Worm	1
9	31AX 284	PIN, Slack Adjuster Worm Collar	1
10	27QDA 12AP1	GEAR, Worm, (P1, P3, P6, P7, P8, P10, P11, P13, P15, P16, P18 thru P26, P28, P30, P32, P33, P35 thru P47)	1
10	27QDA 12AP2	GEAR, Worm, (P2, P4, P5, P9, P12, P14, P17, P27, P29, P31, P54)	1
11	46QD 11A	RETAINER, Slack Adjuster Worm Gear	1
12	97AX 12	RING, Slack Adjuster Worm Gear Retainer Snap	1





**MACK CHASSIS NUMBER** must always be given with **PART NUMBER** when ordering.

**COMPONENT PARTS**

19QE 221P1 to P35, P37  
BRAKE CHAMBER

KEY	PART NUMBER	DESCRIPTION	NO. REQ.
A	745 225643	PLATE, Air Pressure (For 19QE 221P9, P13, P16, P24, P26 & P28)	1
-	745 225644	PLATE, Air Pressure (For 19QE 221P10, P12, P20, P25, P29, P30, P31, P33)	1
-	745 225645	PLATE, Air Pressure (For 19QE 221P11, P17, P19, P27)	1
-	745 225735	PLATE, Air Pressure (For 19QE 221P2, P3, P4, P5, P15, P21, P22, P32)	1
-	745 225734	PLATE, Air Pressure (For 19QE 221P1, P18, P34)	1
-	745 225642	PLATE, Air Pressure (For 19QE 221P6, P7, P8, P14, P23, P35, P37)	1
B	64SM 19	DIAPHRAGM (For 19QE 221P9, P13, P16, P24, P26, P28)	1
-	64SM 20	DIAPHRAGM, (For 19QE 221P10, P12, P20, P25, P29, P30, P31)	1
-	64SM 21	DIAPHRAGM, (For 19QE 221P11, P17, P19, P27)	1
-	64SM 17	DIAPHRAGM, (For 19QE 221P3, P4, P5, P15, P21, P22)	1
-	64SM 22	DIAPHRAGM, (For 19QE 221P1, P2, P18, P34)	1
-	64SM 18	DIAPHRAGM, (For 19QE 221P6, P7, P8, P14, P23, P35, P37)	1
B	745 236665	DIAPHRAGM, (For 19QE 221P32)	1
C	745 226065	ROD ASSEMBLY, Push (For 19QE 221P3)	1
-	745 226068	ROD ASSEMBLY, Push (For 19QE 221P9)	1
-	745 225208	ROD ASSEMBLY, Push (For 19QE 221P10, P25, P29)	1
-	745 225080	ROD ASSEMBLY, Push (For 19QE 221P12, P30, P33)	1
-	745 226069	ROD ASSEMBLY, Push (For 19QE 221P11)	1
-	745 228039	ROD ASSEMBLY, Push (For 19QE 221P27)	1
-	745 226424	ROD ASSEMBLY, Push (For 19QE 221P13)	1
-	745 226479	ROD ASSEMBLY, Push (For 19QE 221P15 & P32)	1
-	745 225241	ROD ASSEMBLY, Push (For 19QE 221P16, P26)	1
-	745 226733	ROD ASSEMBLY, Push (For 19QE 221P20, P31)	1
-	745 226428	ROD ASSEMBLY, Push (For 19QE 221P14)	1
-	745 225297	ROD ASSEMBLY, Push (For 19QE 221P8)	1
-	745 225296	ROD ASSEMBLY, Push (For 19QE 221P7)	1
-	745 226064	ROD ASSEMBLY, Push (For 19QE 221P2) (P22)	1
-	745 225679	ROD ASSEMBLY, Push (For 19QE 221P1)	1
-	745 226066	ROD ASSEMBLY, Push (For 19QE 221P4)	1
-	745 226067	ROD ASSEMBLY, Push (For 19QE 221P5)	1
-	745 224512	ROD ASSEMBLY, Push (For 19QE 221P6)	1
-	745 225237	ROD ASSEMBLY, Push (For 19QE 221P17, P19)	1

MACK CHASSIS NUMBER must always be given with PART NUMBER when ordering.

## COMPONENT PARTS

19QE 221P1 to P35, P37  
BRAKE CHAMBER

KEY	PART NUMBER	DESCRIPTION	NO. REQ.
-	745 237887	NUT, Clamp Ring (For 19QE 221P24, P25, P26, P28, P29, P30, P31, P33 & P34) (P35, P37)	1
J	745 216841	YOKE ASSEMBLY, (For 19QE 221P9, P12, P13, P16, P7, P8, P20, P23, P26, P28, P30 & P31)	1
	745 205948	YOKE ASSEMBLY, (For 19QE 221P1, P2, P3, P5, P18, P22 & P34)	1
-	745 220176	YOKE ASSEMBLY, (For 19QE 221P10, P24, P25, P29)	1
-	745 223929	YOKE ASSEMBLY, (For 19QE 221P11)	1
-	745 205433	YOKE ASSEMBLY, (For 19QE 221P15, P4, P21)	1
J	745 216881	YOKE ASSEMBLY, (For 19QE 221P17, P19, P27)	1
K	745 228791	YOKE ASSEMBLY, (For 19QE 221P33) (P35, P37)	1
L	745 230576	PLUG, Pipe (1/4")	1
L	745 204781	NUT, Yoke Lock (5/8" - 18) (For 19QE 221P9, P10, P11, P12, P13, P16, P23, P27, P33)	1
-	745 201438	NUT, Yoke, Lock, (1/2" - 20) (For 19QE 221P3, P15, P1, P2, P4, P5, P18, P21, P22, P32 & P34) (P35, P37)	1
M	745 204781	NUT, Stud, (5/8") (For 19QE 221P9, P10, P11, P13, P16, P6, P7, P14, P17, P19, P20, P23, P24, P25, P26, P27, P28, P29, P30, P31, P33)	2
M	745 214526	NUT, Stud, (7/16") (For 19QE 221P3, P15, P1, P2, P4, P5, P18, P21, P22, P32) (P35, P37)	2
N	745 202986	WASHER, Lock, Stud Nut (5/8") (For 19QE 221P9, P10, P11, P12, P13, P16, P6, P14, P17, P19, P20, P23, P24, P25, P26, P27, P28, P29, P30, P31, P33)	2
-	745 202984	WASHER, Lock Stud Nut (7/16") (For 19QE 221P3, P15, P1, P2, P4, P5, P18, P21, P22, P32 & P34) (P35, P37)	2
P	745 200235	PIN, Yoke (For 19QE 221P9, P10, P11, P12, P13, P16, P7, P8, P20, P23, P24, P25, P26, P28, P29, P30, P31, P33) (P35, P37)	1
-	745 200982	PIN, Yoke (For 19QE 221P15, P4, P21, P32)	1
-	745 200054	PIN, Yoke (For 19QE 221P3, P1, P2, P5, P18, P22 & P34)	1
-	745 210797	PIN, Yoke (For 19QE 221P17, P19)	1
Q	745 303019	COTTER, Yoke Pin	1

THIS REPLACES ALL COPIES DATED PRIOR TO MARCH 23, 1964.  
**MACK CHASSIS NUMBER must always be given with PART NUMBER when ordering.**

### COMPONENT PARTS

19QE 221P1 to P35, P37  
BRAKE CHAMBER

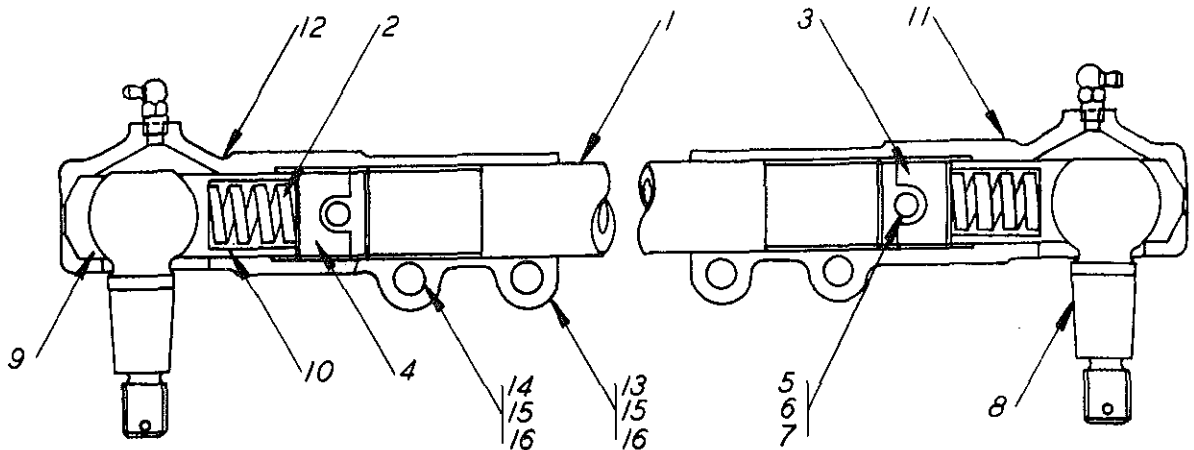
KEY	PART NUMBER	DESCRIPTION	NO. REQ.
-	745 226332	ROD ASSEMBLY, Push (For 19QE 221P18)	1
-	745 226837	ROD ASSEMBLY, Push (For 19QE 221P21)	1
-	745 227442	ROD ASSEMBLY, Push (For 19QE 221P23)(P35)	1
-	745 225682	ROD ASSEMBLY, Push (For 19QE 221P24)	1
-	745 225717	ROD ASSEMBLY, Push (For 19QE 221P28)	1
-	745 229665	ROD ASSEMBLY, Push (For 19QE 221P34)(P37)	1
D	745 234130	SPRING, (For 19QE 221P9, P13, P16, P24, P26, P28)	1
-	745 234131	SPRING, (For 19QE 221P10, P12, P20, P25, P33)	1
-	745 238950	SPRING, (For 19QE 221P29, P30 & P31)	1
-	745 234365	SPRING, (For 19QE 221P11, P17, P19, P27)	1
-	745 234192	SPRING, (For 19QE 221P3, P4, P5, P15, P21, P22 & P32)	1
-	745 234229	SPRING, (For 19QE 221P1, P2, P18 & P34)	1
-	745 234129	SPRING, (For 19QE 221P6, P7, P8, P14, P23) P35, P37	1
E	745 225947	PLATE, Non-Pressure (For 19QE 221P9, P13, P16 P24, P26 & P28)	1
-	745 225948	PLATE, Non-Pressure (For 19QE 221P10, P12, P25, P29, P30, P33)	1
-	745 225975	PLATE, Non-Pressure (For 19QE 221P11, P17, P19, P27)	1
-	745 225945	PLATE, Non-Pressure (For 19QE 221P3, P4, P5, P15, P21, P22 & P32)	1
-	745 225944	PLATE, Non-Pressure (For 19QE 221P1, P2, P18 & P34)	1
-	745 225946	PLATE, Non-Pressure (For 19QE 221P6, P7, P8, P14 P23) (P35, P37)	1
-	745 226732	PLATE, Non-Pressure (For 19QE 221P20, P31)	1
F	745 236470	RING, Clamp (For 19QE 221P9, P13, P16)	1
-	745 224779	RING, Clamp (For 19QE 221P27)	1
-	745 236471	RING, Clamp (For 19QE 221P10, P12, P20)	1
-	745 236472	RING, Clamp (For 19QE 221P11, P17, P19)	1
-	745 224561	RING, Clamp (For 19QE 221P3, P4, P5, P15, P21, P22 & P32)	1
F	745 236467	RING, Clamp (For 19QE 221P1, P2, P18)	1
-	745 236469	RING, Clamp (For 19QE 221P6, P7, P8, P23)	1
-	745 237891	RING, Clamp (For 19QE 221P24, P26, P28)	1
-	745 237892	RING, Clamp (For 19QE 221P25, P29, P30, P31 & P33)	1
-	745 237885	RING, Clamp (For 19QE 221P34)(P35, P37)	1
G	745 234146	BOLT, Clamp Ring (For 19QE 221P22, 24, 25, 26 & P28)	1
-	745 237886	BOLT, Clamp Ring (For 19QE 221P29, P30, P31, P33, & P34)(P35, P37)	1
H	745 234147	NUT, Clamp Ring (For 19QE 221P22)	1

THIS REPLACES ALL COPIES DATED PRIOR TO JULY 31, 1962.

**WACK CHASSIS NUMBER** must always be given with **PART NUMBER** when ordering.

### COMPONENT PARTS

7QHA 22BP2, P4, P13, P14, P17 To P24  
CROSS STEERING TUBE



7-178-2

LINE NO.	PART NUMBER	DESCRIPTION	NO. REQ'D.
1	7QH 223P2	TUBE, Cross Steering (For 7QHA 22BP2)	1
1	7QH 223P1	TUBE, Cross Steering (For 7QHA 22BP4)	1
1	7QH 222	TUBE, Cross Steering (For 7QHA 22BP14)	1
1	7QH 223P3	TUBE, Cross Steering (For 7QHA 22BP13)	1
1	7QH 223P4	TUBE, Cross Steering (For 7QHA 22BP17 & 18)	1
1	7QH 222P2	TUBE, Cross Steering (For 7QHA 22BP19)	1
1	7QH 222P3	TUBE, Cross Steering (For 7QHA 22BP20)	1
1	7QH 223P5	TUBE, Cross Steering (For 7QHA 22BP21 & 22)	1
1	7QH 223P6	TUBE, Cross Steering (For 7QHA 22BP23)	1
1	7QH 223P7	TUBE, Cross Steering (For 7QHA 22BP24)	1
2	10QH 115	SPRING, Cross Steering Tube	2
3	10QH 114	PLUG, Cross Steering Tube Spring - R.H.	1
4	69RU 117	PLUG, Cross Steering Tube Spring - L.H.	1
5	LAX 409	BOLT, Cross Steering Tube Spring Plug	2
6	20AX 3	NUT, Cross Steering Tube Spring Plug	2
7	36AX 3	WASHER, Cross Steering Tube Spring Plug	2
8	10QC 31AP7	BALL, Cross Steering Tube (For 7QHA 22BP2, P14, P17, P19, P20, P22 & P24)	2
8	10QC 31AP6	BALL, Cross Steering Tube (7QHA 22BP4, P18, P21 & P23)	2
	10QC 31AP25	BALL, Cross Steering Tube (7QHA 22BP13)	1
9	10QH 112	SOCKET, Cross Steering Tube Ball (Small)	2
10	10QH 113	SOCKET, Cross Steering Tube Ball (Large)	2
11	10QH 236	RETAINER, Cross Steering Tube Ball - R.H.	1
12	10QH 217	RETAINER, Cross Steering Tube Ball - L.H.	1
14	LAX 274	SCREW, Cross Steering Tube Retainer Clamp	4
15	20AX 5	NUT, Cross Steering Tube Retainer Clamp	4
16	36AX 5	WASHER, Cross Steering Tube Retainer Clamp	4

# *Mack* PARTS BOOK

## INDEX

### GROUP #13 - SPRINGS

#### COMPONENTS

16QF 33AP1

1RY 312P5

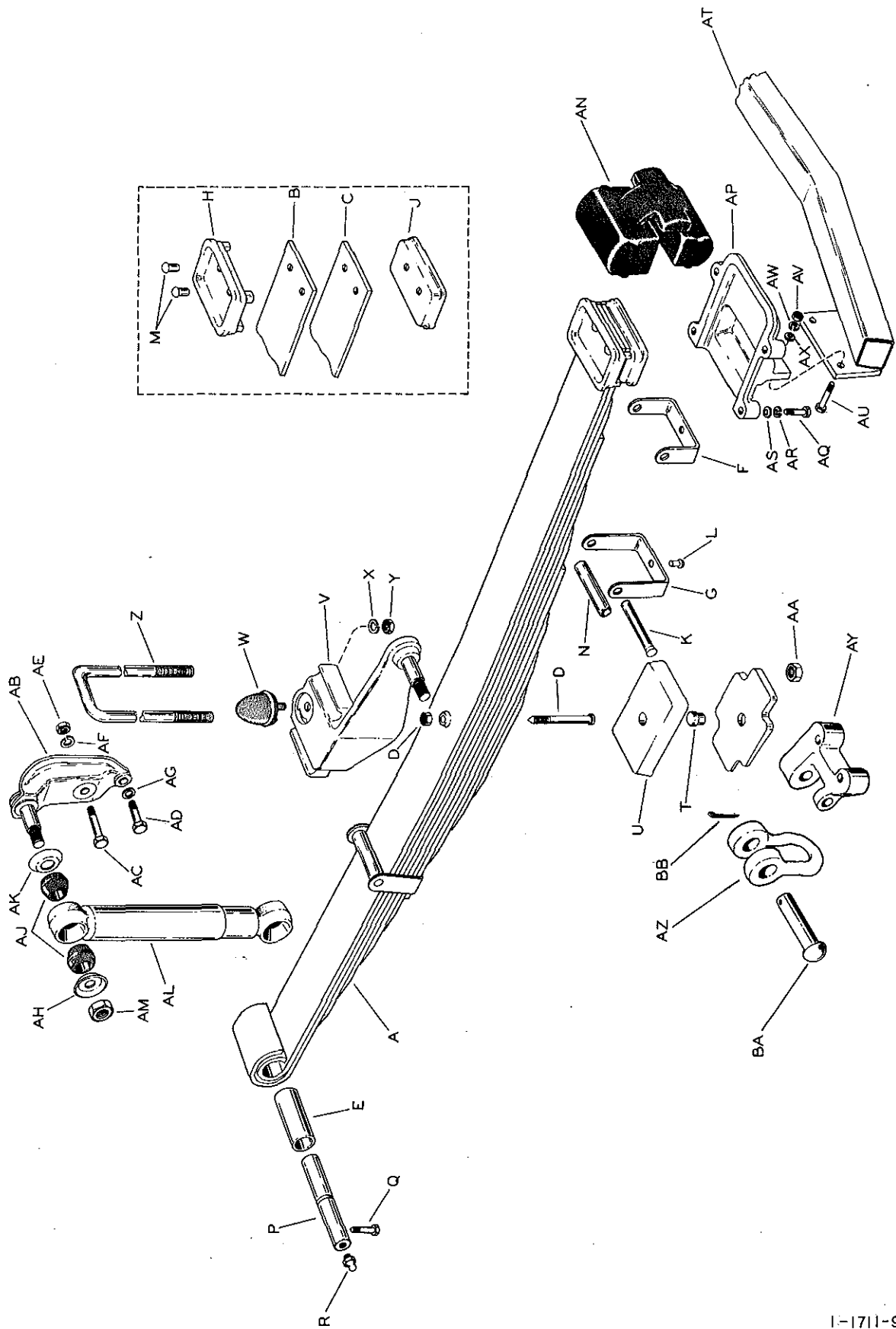
1RY 312P6

13

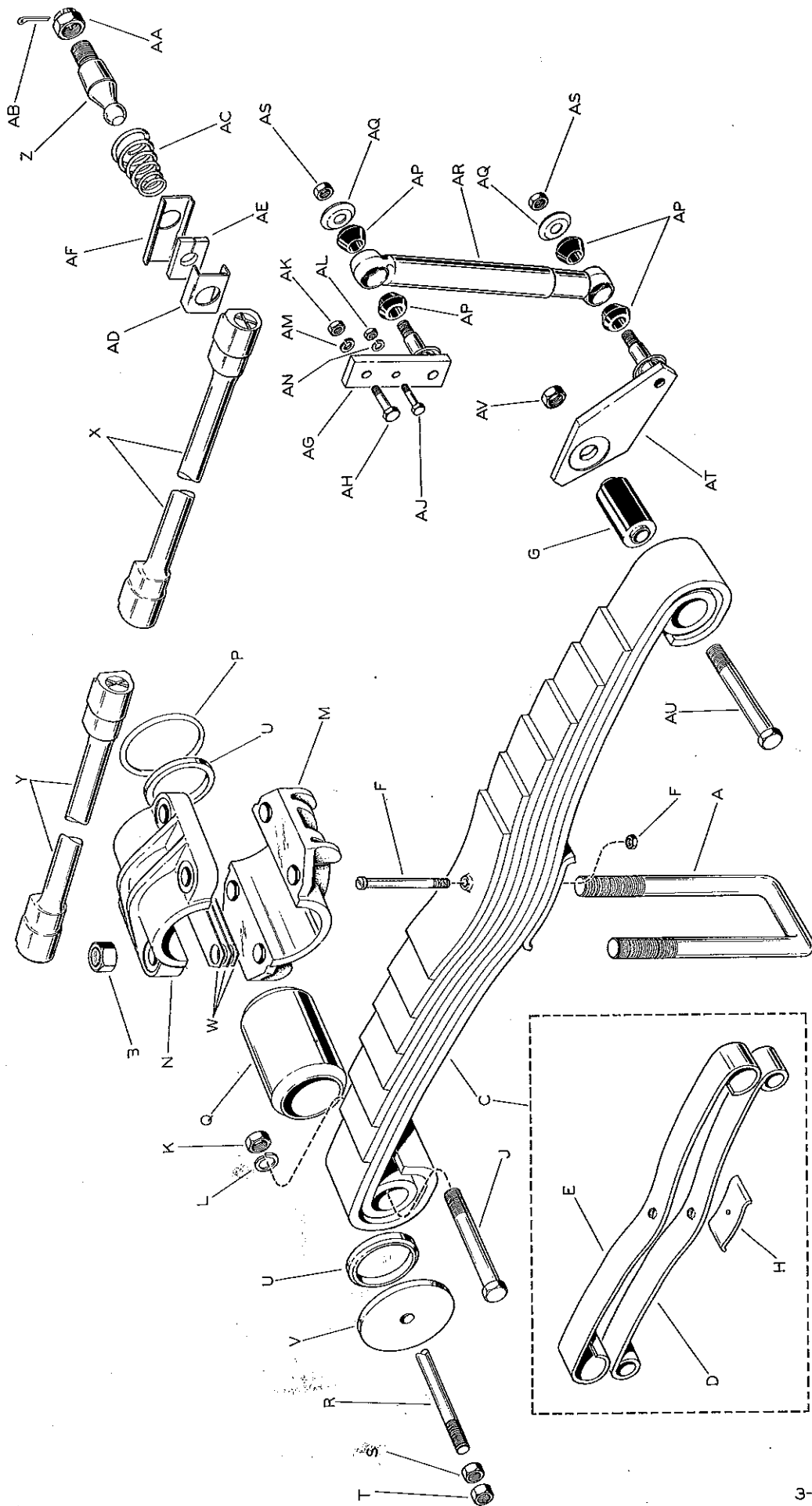


4248A 12/8/65 ejm-jd PAGE #13-1

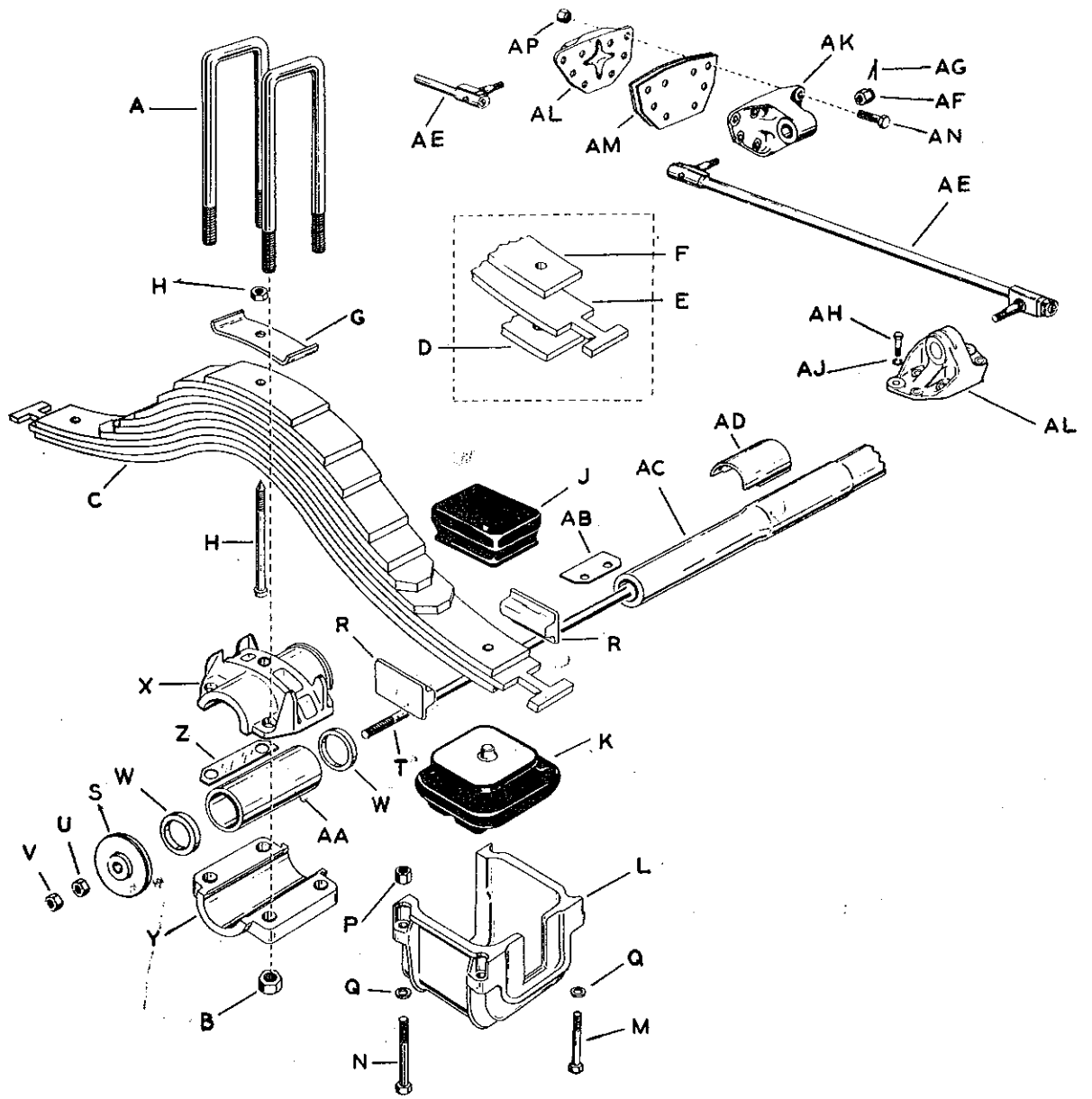
CHASSIS NUMBER must always be given with PART NUMBER when ordering.



FRONT SPRING ARRANGEMENT



REAR SUSPENSION ARRANGEMENT



IK

BOGIE

3-1711-98



Illustration #1-1711-94.

KEY	PART NUMBER	DESCRIPTION	NO. REQ.
<u>SECTION 75A - 1QKA 256</u>			
A	2QK 3171	SPRING, Front (10 Leaf) Each Includes:	2
B	223SU 34	LEAF, Main	1
C	223SU 35	LEAF, Second	1
D	21SU 41	BOLT, Center	1
E	24SZ 55	BUSHING, Main Leaf	1
F	41SU 147	CLIP, Rebound (Short)	1
G	41SU 116	CLIP, Rebound (Long)	2
H	9QK 256	PLATE, Main Leaf Bearing (Upper)	1
J	9QK 257	PLATE, Second Leaf Bearing (Lower)	1
K	341SZ 154	RIVET, Rebound Clip Retaining	3
L		RIVET, Stl. button hd. 3/8 x 3/4, Rebound Clip Bottom (24AX 73)	3
M		RIVET, c/s hd. stl. Cold Driving (90° hd.) 1/2 x 3/4, Bearing Plate (25AX 56)	4
N	361SU 11	SPACER, Rebound Clip	3
P	44QK 160	PIN, Spring Anchor Attaching Parts:	2
Q	43RU 1483	SCREW	2
R		FITTING, Lubricating, Straight 1/8 NPT (Male) (44AX 115)	2
S	24QK 247P1	PLATE, Front Spring Caster	2
T	65RU 1188P3	PIN, Front Pin Location	2
U	13QK 244AP8	SPACER, Front Spring	2
V	20QKA 2158P2	BRACKET, Shock Absorber Mounting Lower R.H.	1
V	20QKA 2158P3	BRACKET, Shock Absorber Mounting Lower L.H.	1
W	12QK 164	BUMPER, Spring Attaching Parts:	2
X		WASHER, Lock, 3/8 I.D. (36AX 3)	2
Y		NUT, hex. 3/8-24 NF (20AX 3)	2
Z	6QKA 3114P47	CLIP SERVICE ASSEMBLY, Front Spring Each Includes:	4
AA	21AX 405	NUT	2
AB	20QKA 2158P1	BRACKET, Shock Absorber Mounting Upper Attaching Parts:	2
AC		SCREW, cap, 1/2-20 NF x 2-1/4 (1-1/4"thd.)(1AX 274)	2
AD		SCREW, cap, 1/2-20 NF x 1-1/2 (1-1/4"thd.)(1AX 60)	2
AE		NUT, hex. 1/2-20 NF (20AX 5)	4
AF		WASHER, Lock, 1/2 I.D. (36AX 5)	4
AG	Not Used		
AH	15QD 154	WASHER, Front Spring Shock Absorber Bushing Outer	4
AJ	14QK 136	BUSHING, Front Spring Shock Absorber	8
AK	15QD 155	WASHER, Front Spring Shock Absorber Bushing Inner	4
AL	14QK 140P1	ABSORBER, Front Spring Shock Attaching Parts:	2
AM	21AX 446	NUT	4
AN	10QK 332A	INSULATOR, Spring Cap	2
AP	52QK 389	CAP, Spring Bracket (Malleable Iron)	2
AP	52QK 390	CAP, Spring Bracket (Aluminum)	2
AQ		Attaching Parts: SCREW, cap, 1/2-13 NC x 2-1/4 (1-1/4"thd.)(4AX 220)	8
AR		WASHER, Lock, 1/2 I.D. (36AX 5)	8
AS	37AX 474	WASHER, Flat (Required for Aluminum Cap Only)	8
AT	9QL 2895	CROSSMEMBER, Front Spring Rear Bracket Attaching Parts:	1
AU		SCREW, cap, 5/8-18 NF x 1-3/4 (1-1/2"thd.)(Malleable Iron Bracket)(1AX 50)	4
AU		SCREW, cap, 5/8-18 NF x 2 (1-1/2"thd.)(Aluminum Bracket) (1AX 62)	4
AV		NUT, hex. 5/8-18 NF (20AX 7)	4
AW		WASHER, Lock, 5/8 I.D. (36AX 7)	4
AX	37AX 271	WASHER, Flat (Aluminum Bracket)	4
AY	20QK 2160P2	BRACKET, Tow Shackle (R.H.)	1
AY	20QK 2161P2	BRACKET, Tow Shackle (L.H.)	1
AZ	23QL 215P2	SHACKLE, Towing	2

KEY	PART NUMBER	DESCRIPTION	NO. REQ.
<u>SECTION 75A - 1QKA 256 (Cont.)</u>			
BA	77QL 112	PIN, Towing Shackle	2
BB		Attaching Parts: COTTER PIN, stl. 3/32 x 1-3/4 (29AX 71)	2
<u>SECTION 75B - 1QKA 256P2</u> Same As 1QKA 256P1 (Section 75A) Except			
Z	6QKA 3114P44	CLIP SERVICE ASSEMBLY, Front Spring, Rear	2
Z	6QKA 3114P47	CLIP SERVICE ASSEMBLY, Front Spring, Front	2
AB-1	72RU 1957	BRACKET, Air Hose (at L.H. Shock Absorber Bracket)	1
AC		SCREW, Cap, 1/2-20 NF x 2-1/2 (1-1/4" Thd.) (1AX 74)	2
AD		SCREW, Cap, 1/2-20 NF x 1-1/2 (1-1/4" Thd.) (1AX 60)	3
AE		NUT, Hex. 1/2-20 NF (20AX 5)	5
AF		WASHER, Lock, 1/2 I.D. (36AX 5)	5
AG	37AX 474	WASHER, Flat (L.H. Bracket)	1
<u>SECTION 75C - 1QKA 256P3</u> Same As 1QKA 256P1 (Section 75A) Except			
Z	6QKA 3114P44	CLIP SERVICE ASSEMBLY, Front Spring, Rear	2
Z	6QKA 3114P47	CLIP SERVICE ASSEMBLY, Front Spring, Front	2
AB-1	72RU 1957	BRACKET, Air Hose (at L.H. Shock Absorber Bracket)	1
AC		SCREW, Cap, 1/2-20 NF x 2-1/2 (1-1/4" Thd.) (1AX 74)	2
AD		SCREW, Cap, 1/2-20 NF x 1-1/2 (1-1/4" Thd.) (1AX 60)	3
AE		NUT, Hex. 1/2-20 NF (20AX 5)	5
AF		WASHER, Lock, 1/2 I.D. (36AX 5)	5
AG	37AX 474	WASHER, Flat (L.H. Bracket)	1
<u>SECTION 75D - 1QKA 256P4</u> Same As 1QKA 256P1 (Section 75A) Except			
A	2QK 3170	SPRING, Front (10 Leaf)	2
D	21SU 42	BOLT, Center	1
G	41SU 104	CLIP, Rebound (Long)	2
Z	6QKA 3114P43	CLIP SERVICE ASSEMBLY, Front Spring, Rear	2
Z	6QKA 3114P44	CLIP SERVICE ASSEMBLY, Front Spring, Front	2
AB	20QK 2164P1	BRACKET, Shock Absorber Mounting Upper, R.H.	1
AB	20QK 2164P2	BRACKET, Shock Absorber Mounting Upper, L.H.	1
AB-1	72RU 1957	BRACKET, Air Hose (at L.H. Shock Absorber Bracket)	1
AC		SCREW, Cap, 1/2-20 NF x 2-1/2 (1-1/4" Thd.) (1AX 74)	2
AD		SCREW, Cap, 1/2-20 NF x 1-1/2 (1-1/4" Thd.) (1AX 60)	3
AE		NUT, Hex. 1/2-20 NF (20AX 5)	5
AF		WASHER, Lock, 1/2 I.D. (36AX 5)	5
AG	37AX 474	WASHER, Flat (L.H. Bracket)	1
<u>SECTION 75E - 1QKA 256P5</u> Same As 1QKA 256P1 (Section 75A) Except			
A	2QK 3173	SPRING, Front (14 Leaf)	2
B	223SU 36	LEAF, Main	1
C	223SU 37	LEAF, Second	1
D	21SU 40	BOLT, Center	1
F	41SU 104	CLIP, Rebound (Short)	1
G	41SU 180	CLIP, Rebound (Long)	2
Q-1		WIRE, Soft Iron #16 (.0625) W & M Ga. x 13" L. (235AXA)	2
R		FITTING, Alemite #1606 hyd. 90° 1/8 Pipe thd. male (44AX 118)	2
S	24QK 247P12	PLATE, Front Spring Caster	2
T	OMIT		
U	OMIT		
W	12QK 135	BUMPER, Spring	2
Z	6QKA 3114P44	CLIP SERVICE ASSEMBLY, Front Spring, Rear	2
Z	6QKA 3114P47	CLIP SERVICE ASSEMBLY, Front Spring, Front	2

KEY	PART NUMBER	DESCRIPTION	NO. REQ.
<u>SECTION 75E - 1QKA 256P5 (Cont.)</u>			
AB-1	72RU 1957	BRACKET, Air Hose (at L.H. Shock Absorber Bracket)	1
AC		SCREW, Cap, 1/2-20 NF x 2-1/2 (1-1/4" Thd.) (1AX 74)	2
AD		SCREW, Cap, 1/2-20 NF x 1-1/2 (1-1/4" Thd.) (1AX 60)	3
AE		NUT, Hex. 1/2-20 NF (2OAX 5)	5
AF		WASHER, Lock, 1/2 I.D. (36AX 5)	5
AG	37AX 474	WASHER, Flat (L.H. Bracket)	1
<u>SECTION 75F - 1QKA 256P6</u> Same As 1QKA 256P1 (Section 75A) Except			
A	2QK 3172	SPRING, Front (11 Leaf)	2
B	223SU 36	LEAF, Main	1
C	223SU 37	LEAF, Second	1
Q-1		WIRE, Soft Iron #16 (.0625) W & M Ga. x 13" L. (235AXA)	2
R		FITTING, Alemite #1606 Hyd. 90° 1/2 Pipe THD. male (44AX 118)	2
S	24QK 247P12	PLATE, Front Spring Caster	2
W	12QK 135	BUMPER, Spring	2
Z	6QKA 3114P44	CLIP SERVICE ASSEMBLY, Front Spring, Rear	2
Z	6QKA 3114P47	CLIP SERVICE ASSEMBLY, Front Spring, Front	2
AB-1	72RU 1957	BRACKET, Air Hose (at L.H. Shock Absorber Bracket)	1
AC		SCREW, Cap, 1/2-20 NF x 2-1/2 (1-1/4" Thd.) (1AX 74)	2
AD		SCREW, Cap, 1/2-20 NF x 1-1/2 (1-1/4" Thd.) (1AX 60)	3
AE		NUT, Hex. 1/2-20 NF (2OAX 5)	5
AF		WASHER, Lock, 1/2 I.D. (36AX 5)	5
AG	37AX 474	WASHER, Flat (L.H. Bracket)	1
<u>SECTION 75G - 1QKA 256P7</u> Same As 1QKA 256P1 (Section 75A) Except			
A	2QK 3172	SPRING, Front (11 Leaf)	2
B	223SU 36	LEAF, Main	1
C	223SU 37	LEAF, Second	1
Q-1		WIRE, Soft Iron #16 (.0625) W & M Ga. x 13" L. (235AXA)	2
R		FITTING, Alemite #1606 hyd. 90° 1/8 Pipe thd. male (44AX 118)	2
W	12QK 135	BUMPER, Spring	2
Z	6QKA 3114P44	CLIP SERVICE ASSEMBLY, Front Spring, Rear	2
Z	6QKA 3114P47	CLIP SERVICE ASSEMBLY, Front Spring, Front	2
AB-1	72RU 1957	BRACKET, Air Hose (at L.H. Shock Absorber Bracket)	1
AC		SCREW, Cap, 1/2-20 NF x 2-1/2 (1-1/4" Thd.) (1AX 74)	2
AD		SCREW, Cap, 1/2-20 NF x 1-1/2 (1-1/4" Thd.) (1AX 60)	3
AE		NUT, Hex. 1/2-20 NF (2OAX 5)	5
AF		WASHER, Lock 1/2 I.D. (36AX 5)	5
AG	37AX 474	WASHER, Flat (L.H. Bracket)	1
<u>SECTION 75H - 1QKA 256P8</u> Same as 1QKA 256P1 (Section 75A) Except			
A	2QK 3170	SPRING, Front (10 Leaf)	2
D	21SU 42	BOLT, Center	2
G	41SU 104	CLIP, Rebound (Long)	2
Q-1		WIRE, Soft iron #16 (.0625) W & M Ga. x 13" L. (235AXA)	2
R		FITTING, Alemite #1606 Hyd. 90°, 1/8 Pipe thd. male (44AX 118)	2
S	Omit		
Z	6QKA 3114P44	CLIP SERVICE ASSEMBLY, Front Spring Front	2
AC		SCREW, cap, 1/2-20 NF x 2-1/2 (1-1/4" thd.) (1AX 74)	2
AD		SCREW, cap, 1/2-20 NF x 1-1/2 (1-1/4" thd.) (1AX 60)	3
AE		NUT, hex. 1/2-20 NF (2OAX 5)	5
AF		WASHER, Lock, 1/2 I.D. (36AX 5)	5
AG	37AX 474	WASHER, Flat (L.H. Bracket)	1
AT		CROSSMEMBER MOUNTING ARRANGEMENT (See Group 14K)	
AU Thru AX)	Omit		

KEY	PART NUMBER	DESCRIPTION	NO. REQ.
<u>SECTION 75J - 1QKA 256P9</u>			
Same as 1QKA 256P1 (Section 75A) Except			
A	2QK 3172	SPRING, Front (11 Leaf)	2
B	223SU 36	LEAF, Main	1
C	223SU 37	LEAF, Second	1
S	24QK 247P2	PLATE, Front Spring Caster	2
<u>SECTION 75K - 1QKA 256P10</u>			
Same as 1QKA 256P1 (Section 75A) Except			
A	2QK 3172	SPRING, Front (11 Leaf)	2
B	223SU 36	LEAF, Main	1
C	223SU 37	LEAF, Second	1
<u>SECTION 75L - 1QKA 256P11</u>			
Same as 1QKA 256P1 (Section 75A) Except			
A	2QK 3172	SPRING, Front (11 Leaf)	2
B	223SU 36	LEAF, Main	1
C	223SU 37	LEAF, Second	1
D	21SU 41	BOLT, Center	1
R		FITTING, Alemite #1606 Hyd. 90° 1/8 Pipe thd. Male (44AX 118)	2
S	24QK 247P5	PLATE, Front Spring Caster	2
AB	20QKA 2164P1	BRACKET, Shock Absorber Mounting Upper R.H.	1
AB	20QKA 2164P2	BRACKET, Shock Absorber Mounting Upper L.H.	1
AB-1	72RU 1957	BRACKET, Air Hose (At L.H. Upper Shock Absorber Bracket)	1
AC		SCREW, cap, 1/2-20 NF x 2-1/2 (1-1/4" thd.) (1AX 74)	2
AD		SCREW, cap, 1/2-20 NF x 1-1/2 (1-1/4" thd.) (1AX 60)	3
AE		NUT, hex. 1/2-20 NF (20AX 5)	5
AF		WASHER, Lock, 1/2 I.D. (36AX 5)	5
AG	37AX 474	WASHER, Flat (At L.H. Upper Shock Absorber Bracket)	1
AT	9QIA 2906	CROSSMEMBER MOUNTING ARRANGEMENT (See Group 14K, Section 1)	
AU Thru AX	) ) ) Omit		
<u>SECTION 75M-1QKA 256P13</u>			
Same as Section 75A Except			
A	2QK 3173	SPRING, Front (14 Leaf)	2
B	223SU 36	LEAF, Main	1
C	223SU 37	LEAF, Second	1
D	21SU 40	BOLT, Center	1
F	41SU 104	CLIP, Rebound (Short)	1
G	41SU 180	CLIP, Rebound (Long)	2
Q-1	235AXA	WIRE, Soft Iron #16 (.0625) W & M Ga. x 13" L.	2
R	44AX 118	FITTING, Alemite #1606 Hyd. 90° 1/8 Pipe thd. Male	2
S	24QK 247P5	PLATE, Front Spring Caster	2
T	Omit		
U	Omit		
AB	20QK 2164P1	BRACKET, Shock Absorber Mounting Upper R.H.	1
AB	20QK 2164P2	BRACKET, Shock Absorber Mounting Upper L.H.	1
AB-1	72RU 1957	BRACKET, Air Hose (At L.H. Upper Shock Absorber Bracket)	1
Attaching Parts:			
AC	1AX 747	SCREW, 1/2-20 NF x 2-1/2	2
AD	1AX 60	SCREW, 1/2-20 NF x 1-1/2	3
AE	20AX 5	NUT, 1/2-20 NF	5
AF	36AX 5	WASHER, 1/2 I.D.	5
AG	37AX 474	WASHER, Flat (At L.H. Upper Shock Absorber Bracket)	1
AT	9QL 2906	CROSSMEMBER MOUNTING ARRGT. (See Group 14K, Section 1)	
AU thru AX	) ) ) Omit		

Illustration #3-1711-98.

KEY	PART NUMBER	DESCRIPTION	NO. REQ.
<u>SECTION 39A - 3QKA 575</u>			
A	6QKA 3123P1	CLIP SERVICE ASSEMBLY, Rear Spring	4
B	21AX 131	Each Includes: NUT (1-1/2-12 NF)	2
C	4QK 3156A	SPRING COMPLETE, Rear (10 Leaves)	2
D	74QK 415P24	Each Includes: LEAF, Main	1
E	74QK 415P25	LEAF, Second	1
F	74QK 415P26	LEAF, Third	1
G	302SU 11	LEAF, Clip	1
H	21SU 49	BOLT, Center	1
J	10QK 33A	INSULATOR, Spring Shock (Upper)	4
K	10QK 36A	INSULATOR, Spring, Shock (Lower)	4
L	52QK 418AP4	CAP, Spring Bracket	4
M	3AX 987	Attaching Parts: SCREW (7/8-14 NF)	12
N	6AX 837	SCREW (7/8-9 NC)	4
P	21AX 480	NUT (7/8-14 NF)	12
Q	35AX 1310	WASHER, Flat	16
R	13QK 246	SPACER, Rear Spring Bracket	8
S	97QL 18	CAP, Trunnion	2
T	96AX 608	Attaching Parts: ROD (3/4-16 NF)	1
U		NUT, hex. 3/4-16 NF (20AX 8)	2
V	21AX 56	NUT (3/4-16 NF)	2
W	44RU 1758	SPACER, Rear Trunnion Spindle	4
X	39QK 414CP2	TRUNNION, Upper, Rear Spring	2
Y	39QK 32BP2	TRUNNION, Lower, Rear Spring	2
Z	44RU 1741	SHIM, Rear Spring Trunnion	12
AA	10QK 130P1	BUSHING, Trunnion	2
AB	71RU 1871P2	SPACER, Trunnion Bracket Cap	4
AC	85QK 221AP4	SPINDLE, Rear Spring Trunnion	1
AD	8QD 135	COLLAR, Trunnion Spindle	2
AE	16QFA 33AP1	BALL & STUD ASSEMBLY, Torque Rod (For Components, see back of Group)	2
AF	19AX 22	Attaching Parts: NUT (1-1/4-12)	4
AG		COTTER PIN, stl. 3/16 x 2-1/2 (29AX 9)	4
AH		SCREW, cap, 5/8-18 NF x 2 (1-1/2"thd.)(1AX 62)	16
AJ		WASHER, Lock, 5/8 I.D.(36AX 7)	16
AK	63QF 328	BRACKET, Torque Rod R.H.	2
AL	63QF 329	BRACKET, Torque Rod L.H.	2
AM	44RU 2118	SHIM, Torque Rod Bracket	AR
AN		Attaching Parts: SCREW, cap, 5/8-18 NF x 3-1/4 (1-3/8"thd.)(1AX 56)	8
AP	21AX 360	NUT (5/8-18 NF)	6
AP	21AX 338	NUT (5/8-18 NF)	2

Illustration #3-1711-97.

KEY	PART NUMBER	DESCRIPTION	NO. REQ.
<u>SECTION 40A - 3QKA 578P1</u> (SWD75 Series for "B" & "F" Models with 50" Bogie Spacing & 9.0 or 10.5" Steel Frame)			
A	6QK 3123P6	CLIP SERVICE ASSEMBLY, Rear Spring	4
B	21AX 131	Each Includes: NUT, 1-1/2-20 NF	2
C	4QK 129P7	SPRING COMPLETE, Rear (8 Leaves)	2
D	221SU 59	Each Includes: LEAF, Main	1
E	228SU 44	LEAF, Second	1
F	21SU 39	BOLT, Center	1
G	10QK 146	INSULATOR, Eye	2
H	302SU 20	PLATE, Clip	1
J	3AX 1682	Attaching Parts: BOLT, Rear Spring Anchor	2
K		NUT, hex. 1-1/4-12 NF x 5/8 thick (20AX 36)	2
L		WASHER, Lock 1-1/4 I.D. (36AX 13)	2
M	39QK 423	TRUNNION, Rear Spring (Lower)	2
N	39QK 37	TRUNNION, Rear Spring (Upper)	2
P	8QD 213	COLLAR, Rear Spring Trunnion Spindle	2
Q	10QK 147	BUSHING, Trunnion	2
R	96AX 608	ROD, Tension	1
S		Attaching Parts: NUT, hex. 3/4-16 NF (20AX 8)	2
T		NUT, hex. jam 3/4-16 NF x 3/8 Thick (21AX 56)	2
U	44RU 11002	SPACER, Rear Trunnion Spindle	4
V	97QL 18	CAP, Rear Spring Trunnion	2
W	44RU 1741	SHIM, Rear Spring Trunnion	12
X	1RYA 312P5	ROD ASSEMBLY, Torque (Front) (For Components, see back of Group)	1
Y	1RYA 312P6	ROD ASSEMBLY, Torque (Rear) (For Components, see back of Group)	1
Z	10QC 122	STUD, Torque Rod Ball	4
AA		Attaching Parts: NUT, Castle 1-1/4-12 NF (19AX 22)	4
AB		COTTER PIN, stl. 3/16 x 2-1/2 (29AX 9)	4
AC	58AX 227	SPRING, Ball Stud Coil	4
AD	34RU 176	SHIELD, Dust (Top)	4
AE	95RU 19	SEAL, Dust	4
AF	34RU 175	SHIELD, Dust Bottom	4
AG	20QK 2178P2	BRACKET COMPLETE, Shock Absorber Mounting (Upper)(At Side Rail)	2
AH		Attaching Parts: SCREW, cap, 5/8-18 NF x 2 (1-1/2"thd.)(1AX 62)	2
AJ		SCREW, cap, 1/2-20 NF x 1-3/4 (1-1/4"thd.)(1AX 108)	2
AK		NUT, hex. 5/8-18 NF (20AX 7)	2
AL		NUT, hex. 1/2-20 NF (20AX 5)	2
AM		WASHER, Lock, 5/8 I.D. (36AX 7)	2
AN		WASHER, Lock, 1/2 I.D. (36AX 5)	2
AP	14QK 136	BUSHING, Shock Absorber Pivot (Upper & Lower Bracket)	8
AQ	15QD 154	WASHER, Shock Absorber Retainer (Upper & Lower Bracket)	4
AR	14QK 142	SHOCK ABSORBER	2
AS	21AX 440	Attaching Parts: NUT	4
AT	20QK 2177	BRACKET COMPLETE, Shock Absorber Mounting (Lower)(At Spring Front Bushing)	1
AU	3AX 1682	Attaching Parts: BOLT, Spring Anchor	2
AV	21AX 772	NUT	2
<u>SECTION 40B - 3QKA 578P2</u> (SWD75 Series for "B" & "F" Models with 55" Bogie Spacing & 9.0 or 10.5" Steel Frame) Same as 3QKA 578P1 (Section 40A) Except			
A	6QK 3123P5	CLIP SERVICE ASSEMBLY, Rear Spring	4

3/31/65

rs-mes

PAGE 13B-40-1

MACK CHASSIS NUMBER MUST ALWAYS BE GIVEN WITH PART NUMBER WHEN ORDERING.

KEY	PART NUMBER	DESCRIPTION	NO. REQ.
<u>SECTION 40B - 3QKA 578P2(Cont.)</u>			
C	4QK 129P8	SPRING COMPLETE, Rear (10 Leaves)	1
D	221SU 60	LEAF, Main	1
E	228SU 45	LEAF, Second	1
F	21SU 48	BOLT, Center	1
X	1RYA 312P7	ROD ASSEMBLY, Torque (Front) (For Components, see back of Group)	1
Y	1RYA 312P8	ROD ASSEMBLY, Torque (Rear) (For Components, see back of Group)	1
<u>SECTION 40C - 3QKA 578AP1</u> Same as 3QKA 578P1 (Section 40A) Except			
W	Omit		
<u>SECTION 40D - 3QKA 578AP2</u> Same as 3QKA 578P1 (Section 40A) Except			
A	6QK 3123P5	CLIP SERVICE ASSEMBLY, Rear Spring	4
C	4QK 129AP8	SPRING Complete (10 Leaf)	2
D	221SU 60	LEAF, Main	1
E	228SU 45	LEAF, Second	1
F	21SU 48	BOLT, Center	1
W	Omit		
X	1RYA 312P7	ROD ASSEMBLY, Torque (Front) (For Components, See Back of Group)	1
Y	1RYA 312P8	ROD ASSEMBLY, Torque (Rear) (For Components, See Back of Group)	1
<u>SECTION 40E - 3QKA 262</u> Same as 3QKA 578P1(Section 40A)Except			
AG	20QK 2185	BRACKET COMPLETE, Shock Absorber Mounting (Upper)	2
AH		SCREW, cap, 1/2-20 NF x 1-3/4 (1-1/4"thd.)(1AX 108)	2
AK		NUT, hex. 1/2-20 NF (20AX 5)	2
AM		WASHER, Lock, 1/2 I.D.(36AX 5)	2
AN-1	37AX 474	WASHER, Flat	4

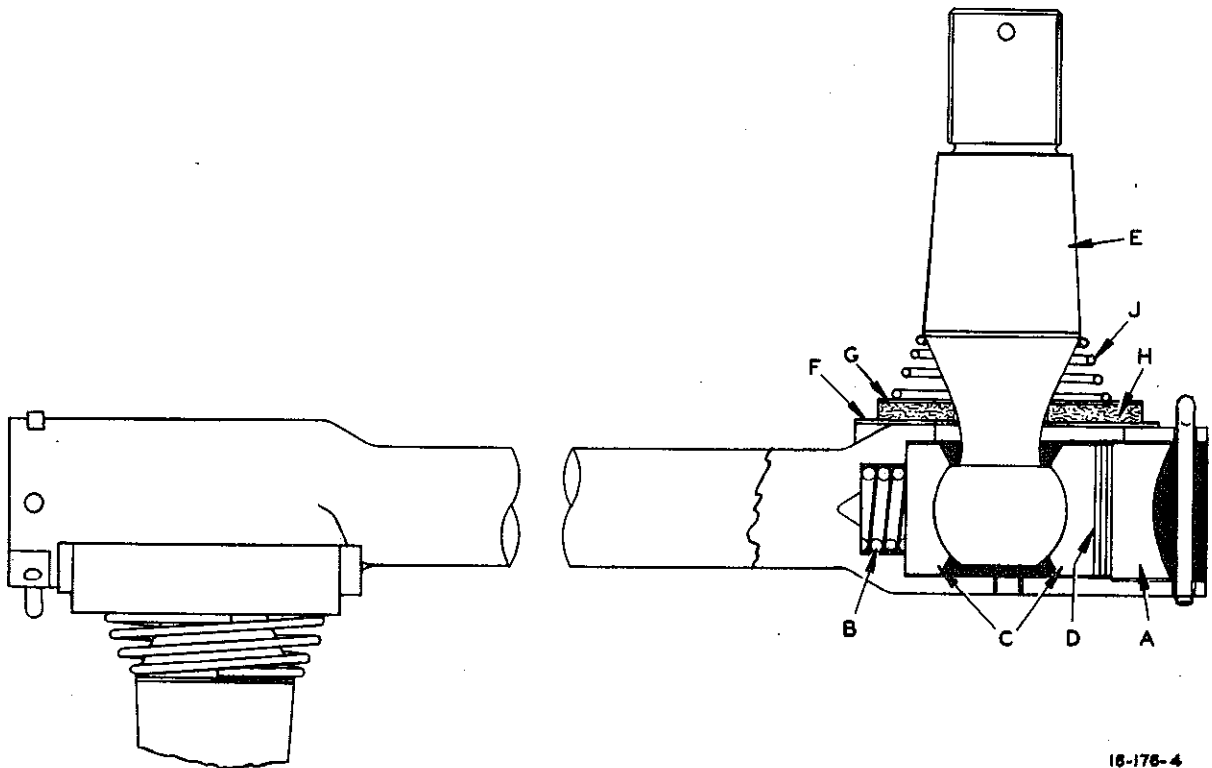
THIS REPLACES ALL COPIES DATED PRIOR TO 10/1/59

MACK CHASSIS NUMBER must always be given with PART NUMBER when ordering.

COMPONENT PARTS

16QFA 33AP1 thru 33AP12  
TORQUE ROD & BALL STUD ASSEMBLY

16QFA	33AP1	- Use	1RYA	37P1	Service Assembly
16QFA	33AP2	- Use	1RYA	37P2	Service Assembly
16QFA	33AP3	- Use	1RYA	37P3	Service Assembly
16QFA	33AP4	- Use	1RYA	37P4	Service Assembly
16QFA	33AP5	- Use	1RYA	37P5	Service Assembly
16QFA	33AP6	- Use	1RYA	37P6	Service Assembly
16QFA	33AP7	- Use	1RYA	37P7	Service Assembly
16QFA	33AP8	- Use	1RYA	37P8	Service Assembly
16QFA	33AP9	- Use	1RYA	37P9	Service Assembly
16QFA	33AP10	- Use	1RYA	37P10	Service Assembly
16QFA	33AP11	- Use	1RYA	37P11	Service Assembly
16QFA	33AP12	- Use	1RYA	37P12	Service Assembly



16-176-4

KEY	PART NUMBER	DESCRIPTION	NO. REQ'D.
A	308SP 15	PLUG	2
B	366SP 20	SPRING	2
C	26SP 19	BEARING	4
D	374SP 25	SHIM	6
E	10QC 122	*STUD, Ball	2
F	34RU 175	*SHIELD, Dust (Bottom)	2
G	34RU 176	*SHIELD, Dust (Top)	2
H	95RU 19	*SEAL, Dust (Fabric)	2
J	58AX 227	*SPRING, Dust Shield	2

NOTE \* Not Included in Service Assemblies  
 1RYA 37P1 thru P10. Order Separately  
 Rod is not Sold Separately. Order  
 Service Assembly.



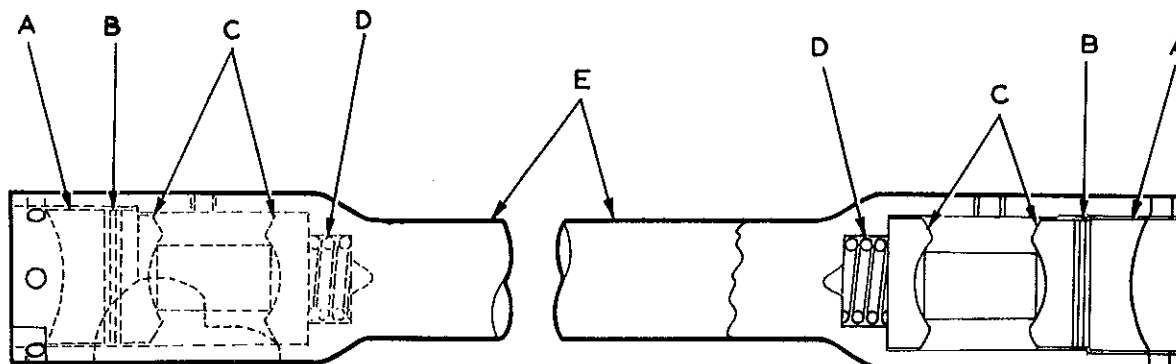
MACK CHASSIS NUMBER must always be given with PART NUMBER when ordering.

COMPONENT PARTS

1RYA 312P5, P6, P7 & P8

TORQUE ROD ASSEMBLY

1-1825-6



KEY	PART NUMBER	DESCRIPTION	REQ'D. NO.
A	308SP 15	PLUG, Torque Rod End	2
B	374SP 25	SPACER	3
C	26SP 20	BEARING	2
D	366SP 20	SPRING	1
E	---	TUBE, (Difference in "P" Numbers)	1

TUBE IS NOT SERVICED SEPARATELY  
 SERVICABLE PARTS LISTED ABOVE.

10/12/62 mes-sr

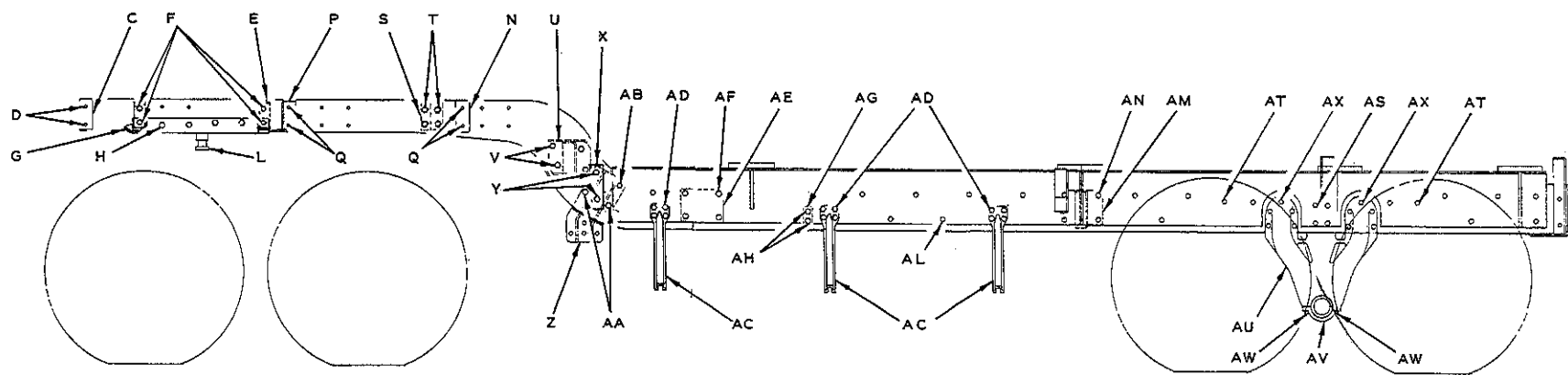
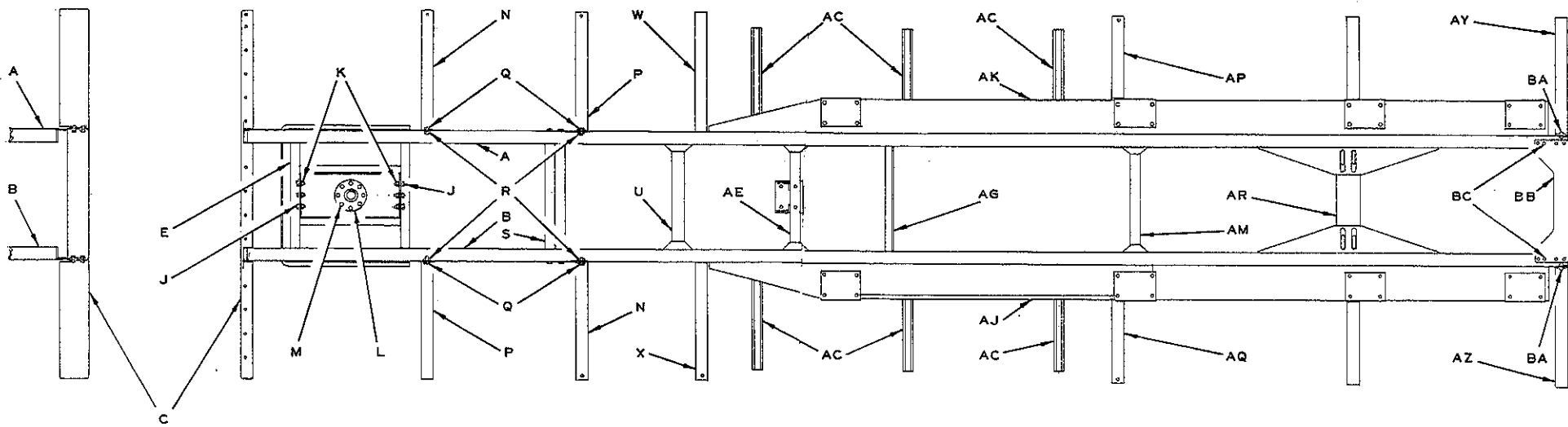
#1-1

# *Mack* PARTS BOOK

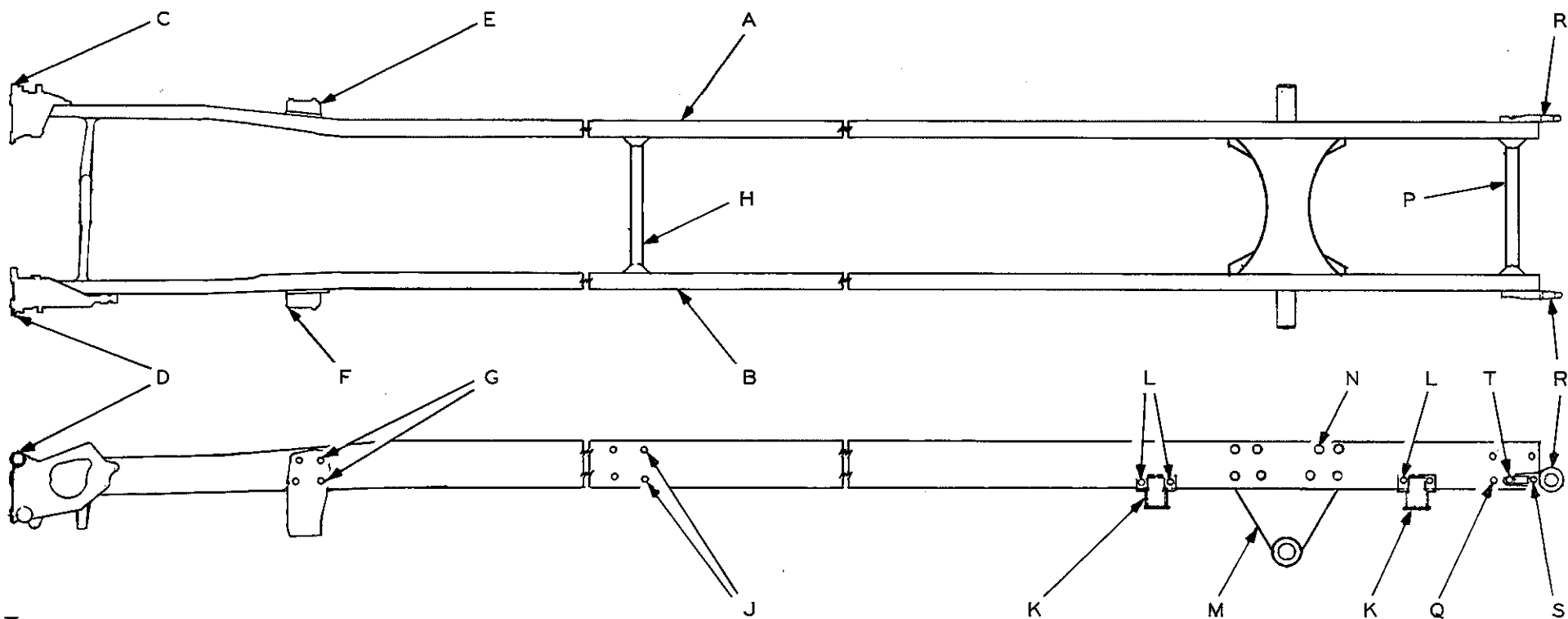


PAGE

CHASSIS NUMBER *must always be given with PART NUMBER when ordering.*

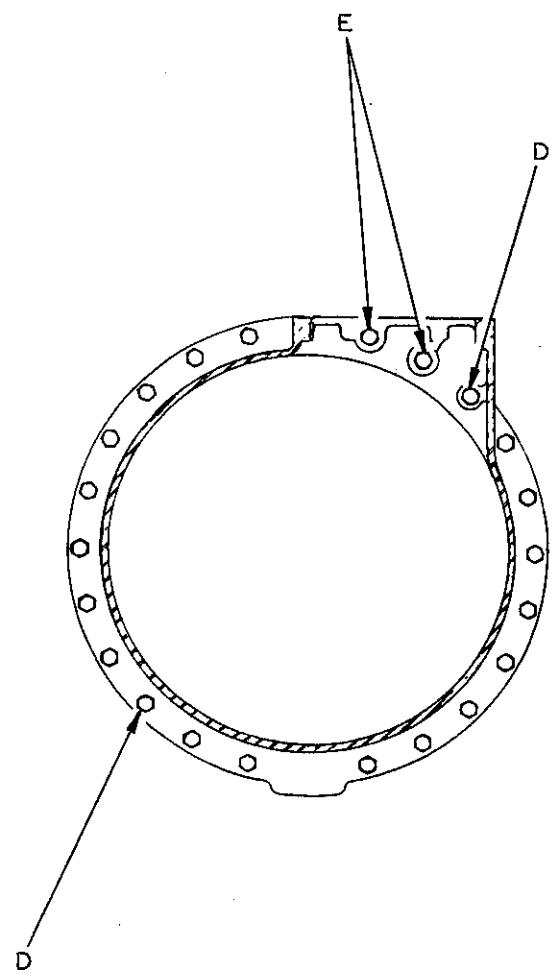
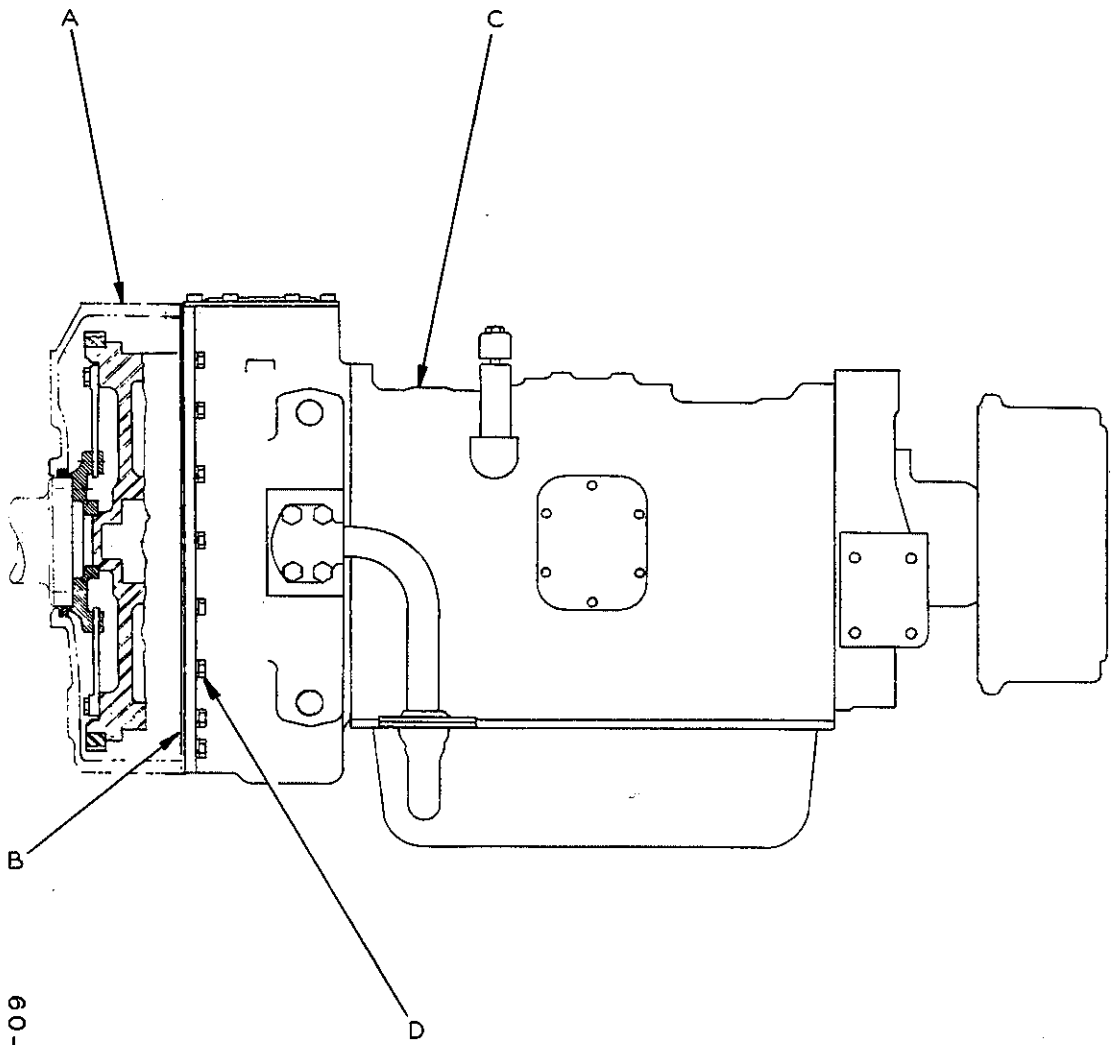


FRAME ASSEMBLY



FRAME ASSEMBLY

1-1712-462



60-1712-6

TORQMATIC TRANSMISSION MOUNTING ARRANGEMENT



TITLE FRAME ASSEMBLY

ILLUSTRATION #1-1712-457.

KEY	PART NUMBER	DESCRIPTION	NO. REQ.
<u>SECTION 741A- 1QLA 51460</u>			
A	2QL 51725 *	SIDEMEMBER, Frame R.H.	1
B	2QL 51726 *	SIDEMEMBER, Frame L.H.	1
C	6QL 365 *	(Furnish Chassis Number When Ordering) CROSSMEMBER, Bracket Frame	1
D		Attaching Parts:	
D-1	21AX 475	SCREW, Cap, 1/2-20 NF x 1-1/2 (1-1/4" thd.)(1AX 60)	4
E	9QL 31056	NUT(1/2-20 NF)	4
F		CROSSMEMBER, Frame (At Pick-Up Plate)	2
F-1	21AX 313	Attaching Parts:	
G	1LRP 423	SCREW, Cap, 3/8-24 NF x 1-3/4 (1"thd.)(1AX 38)	8
H	3AX 1644	NUT(3/8-24 NF)	8
H-1	21AX 360	PLATE COMPLETE, Pick-Up	1
J		Attaching Parts:	
K	21AX 313	SCREW(5/8-18 NF)	8
L	65RU 2178	NUT(5/8-18 NF)	8
M		SCREW, Cap, 3/8-24 NF x 1-1/2 (1" thd.)(1AX 13)	6
N	6QL 363	NUT, (3/8-24 NF)	6
P	6QL 364	KING PIN, Upper Fifth Wheel	1
Q	1AX 231	Attaching Parts:	
R		RIVET, Stl. Button Hd. 1/2 x 1-3/8 (24AX 63)	8
S	6QL 369	BRACKET, Frame Crossmember (Front)	1
T	6QL 370	BRACKET, Frame Crossmember (Front)	1
U		Attaching Parts:	
V	21AX 360	SCREW, Cap, 5/8-18 NF	4
W	37QL 490	NUT, Hex. 5/8-18 NF (20AX 7)	4
X	37QL 491	BRACKET, Frame Crossmember	1
Y		BRACKET, Frame Crossmember	1
Z	21AX 475	Attaching Parts:	
AA	9QL 2947	SCREW, Cap, 5/8-18 NF x 2 (1-1/2" thd.)(1AX 62)	4
AB		NUT (5/8-18 NF)	4
AC	21AX 440	REINFORCEMENT, Frame Gooseneck(R.H.)	1
AC-1	37AX 476	REINFORCEMENT, Frame Gooseneck(L.H.)	1
AD	9QL 31057	Attaching Parts:	
AE		SCREW, Cap 1/2-20 NF x 1-1/4 (Full thd.)(1AX 129)	2
AE-1	21AX 475	NUT, (1/2-20 NF)	2
AF	6QL 361	CROSSMEMBER, Complete, Exhaust Muffler	1
AG	6QL 362	Attaching Parts:	
AH		SCREW, Cap, 3/4-16 NF x 2-1/4 (1-3/4" thd.)(1AX 133)	8
AH-1	21AX 360	NUT, (3/4-16 NF)	8
AJ	118QL 42	WASHER, Plain	8
AJ-1	118QL 41	CROSSMEMBER, Front of Reinforcement	1
AK		Attaching Parts:	
AK-1	21AX 475	SCREW, Cap, 1/2-20 NF x 2 (1-1/2" thd.)(1AX 62)	8
AL	57QY 35	NUT, (1/2-20 NF)	8
AM		BRACKET, Frame Crossmember	1
AM-1	21AX 313	BRACKET, Frame Crossmember	1
AN	9QL 4283	Attaching Parts:	
AP	3AX 1645	SCREW, Cap, 5/8-18 NF x 2-1/4 (1-1/2" thd.)(1AX 97)	4
AP-1	21AX 360	NUT(5/8-18 NF)	4
AQ	9QL 2951	BRACKET, Landing Gear (L.H.)	1
AR		BRACKET, Landing Gear (R.H.)	1
		Attaching Parts:	
		SCREW, Cap, 1/2-20 NF x 2-1/2 (1-1/4"thd.)(1AX 74)	6
		NUT(1/2-20 NF)	6
		HANGER, Hose Compartment	6
		Attaching Parts:	
		SCREW, Cap, 3/8-24 NF x 1-1/2 (1" thd.)(1AX 13)	24
		NUT(3/8-24 NF)	24
		CROSSMEMBER, Rear of Reinforcement	1
		Attaching Parts:	
		SCREW(5/8-18 NF)	8
		NUT(5/8-18 NF)	8
		CROSSMEMBER, Frame	1
		Attaching Parts:	
		SCREW, Cap 3/8-24 NF x 1-3/4 (1"thd.)(1AX 38)	4



TITLE FRAME ASSEMBLY

(Continued)

KEY	PART NUMBER	DESCRIPTION	NO. REQ.
SECTION 741A - 1QLA 51460 (Cont.)			
AR-1	21AX 313	NUT, (3/8-24 NF)	4
AS	37QL 54	REINFORCEMENT, Frame OUTside (L.H.)	1
AT	37QL 53	REINFORCEMENT, Frame OUTside (R.H.)	1
		Attaching Parts:	
AU		RIVET, Stl. Button Hd. 1/2 x 1-3/4 (24AX 15)	36
AV	9QL 4243P1	CROSSMEMBER, At Reinforcement	1
		Attaching Parts:	
AW	3AX 1645	SCREW, (5/8-18 NF)	6
AX	3AX 1646	SCREW(5/8-18 NF)	2
AX-1	21AX 360	NUT(5/8-18 NF)	8
AY	6QL 359	BRACKET, Frame Crossmember R.H.	1
AZ	6QL 360	BRACKET, Frame Crossmember L.H.	1
BA	9QL 31053	CROSSMEMBER COMPLETE, Trunnion	1
		Attaching Parts:	
BB	3AX 1645	SCREW(5/8-18 NF)	8
BB-1	21AX 360	NUT(5/8-18 NF)	8
BB-2	35AX 1252	WASHER, Plain	16
BC		SCREW, Cap, 9/16-18 NF x 2 (1-3/8"thd.)(1AX 80)	8
BC-1	21AX 470	NUT(9/16-18 NF)	8
BC-2	71RU 168P3	SPACER, Trunnion Bracket	2
BD	97QLA 317AP1	BRACKET & CAP ASSY., Rear Spring Trunnion	2
		Each Includes:	
BE	97QL 314P2	CAP	1
		Attaching Parts:	
BF	3AX 756	SCREW, (7/8-14 NF)	4
BF-1	21AX 480	NUT (7/8-14 NF)	4
BF-2	35AX 1310	WASHER, Plain	8
		Attaching Parts:	
BG	3AX 1648	SCREW(5/8-18 NF)	20
BG-1	21AX 360	NUT(5/8-18 NF)	20
BG-2	35AX 1252	WASHER	40
BH	6QL 357	BRACKET, Frame Crossmember R.H.	1
BJ	6QL 358	BRACKET, Frame Crossmember L.H.	1
		Attaching Parts:	
BK		RIVET, Stl. Button Hd. 5/8 x 1-1/2 (24AX 83)	4
BL	9QL 31058	CROSSMEMBER, Rear	1
		Attaching Parts:	
BM		RIVET, Stl. Button Hd. 3/8 x 1-1/2 (24AX 196)	16
BN	12QK 2101	BRACKET, Rear Axle Bumper	4
		Attaching Parts:	
BP		RIVET, Stl. Button Hd. 5/8 x 2-3/8 (24AX 178)	8

Illustration #1-1712-462.

KEY	PART NUMBER	DESCRIPTION	NO. REQ.
<u>SECTION 767A - 1Q1A 45755</u>			
A	2QL 47743*	SIDEMEMBER, Frame R.H.	1
B	2QL 47744* *	SIDEMEMBER, Frame L.H. (Furnish Chassis Number When Ordering)	1
C	53QK 552A	BRACKET, Front Spring R.H.	1
		Attaching Parts:	
C-1		SCREW, cap, 5/8-18 NF x 4-1/4 (1-3/8"thd.)(LAX 131)	2
C-2	3AX 1645	SCREW, 5/8-18 NF	1
C-3	21AX 360	NUT, 5/8-18 NF	3
C-4	35AX 1367	WASHER, 5/8 I.D.	3
D	53QK 553A	BRACKET, Front Spring L.H.	1
E	51QK 550	BRACKET, Front Spring Rear R.H.	1
F	51QK 551	BRACKET, Front Spring Rear L.H.	1
		Attaching Parts:	
G	3AX 1646	SCREW, 5/8-18 NF	4
G-1	21AX 360	NUT, 5/8-18 NF	4
G-2	35AX 1367	WASHER, 5/8 I.D.	8
H	9QL 4243P1	CROSSMEMBER, Front	1
		Attaching Parts:	
J		SCREW, cap, 5/8-18 NF x 2 (1-1/2"thd.)(LAX 62)	4
J-1	21AX 360	NUT, 5/8-18 NF	4
J-2	37AX 171	WASHER, 5/8 I.D.	4
K	12QK 352P1	STOP, Rear Axle Bumper	4
		Attaching Parts:	
L		RIVET, stl. button hd. 5/8 x 1-1/4 (24AX 26)	8
M	97QL 536A	BRACKET COMPLETE, Trunion	1
		Attaching Parts:	
N	3AX 1652	SCREW, 3/4	16
N-1	21AX 440	NUT, 3/4 I.D.	16
N-2	35AX 1368	WASHER, 3/4 I.D.	16
N-3	37AX 70	WASHER, 3/4 I.D.	16
N-4	71RU 2467P2	SPACER, Trunion Bracket	4
P	9QL 4243P1	CROSSMEMBER, Rear	1
		Attaching Parts:	
Q		SCREW, cap, 5/8-18 NF x 2 (1-1/2"thd.)(LAX 62)	6
Q-1	21AX 360	NUT (5/8-18 NF)	6
Q-2	37AX 171	WASHER, Plain	6
R	23QL 217	TOW EYE, Rear	2
		Attaching Parts:	
S		SCREW, cap, 3/4-16 NF x 2-3/4 (1-3/4"thd.)(LAX 283)	2
S-1		NUT, hex. 3/4-16 NF (20AX 8)	2
S-2		WASHER, Lock, 3/4 I.D.(36AX 9)	2
T	1AX 405	SCREW, cap (1/2-20 NF)	2
T-1		NUT, hex. 1/2-20 NF (20AX 5)	2
T-2		WASHER, Lock, 1/2 I.D.(36AX 5)	2



LINE NO.	PART NUMBER	DESCRIPTION	NO. REQ.
		<u>SECTION 45A - 24QLA 4139</u>	
1	24QL 4138	BUMPER, Front	1
		Attaching Parts:	
2		BOLT, Carriage rd. hd. 5/8-11 x 4 (11AX 222)	5
3		BOLT, Carriage rd. hd. 5/8-11 x 5 (11AX 223)	1
4		NUT, Std. hex. 5/8-11 NC (22AX 25)	6
5		WASHER, Lock, 5/8 I.D. (36AX 7)	6
6	44RU 11028	SPACER	6

Illustration #60-1712-6.

KEY	PART NUMBER	DESCRIPTION	NO. REQ.
		<u>SECTION 49A - 60QIA 411P1</u>	
A	---	HOUSING, Flywheel (See Group 1)	1
B	94RU 222	GASKET, Flywheel Housing	1
C	---	TRANSMISSION (See Group 8)	
		Attaching Parts:	
D		SCREW, cap, 7/16-14 NC x 1-1/4 (1-1/8"thd.)(4AX 4)	20
E		SCREW, cap, 7/16-14 NC x 1-3/4 (1-1/8"thd.)(4AX 269)	2
E-1		WASHER, Lock, 7/16 I.D.(36AX 4)	22
		<u>SECTION 49B - 60QIA 411P2</u>	
		Same as 60QIA 411P1(Section 49A)	
		NO PART NUMBER CHANGES.	

# MACK TRUCK-TRACTOR PARTS BOOK

GROUP #14K - FRONT SPRING REAR BRACKET CROSSMEMBER MOUNTING  
ARRANGEMENT

## SECTION 1

LINE NO.	PART NUMBER	DESCRIPTION	NO. REQ.
<u>SECTION 1A - 9QLA 2906P1</u>			
1	9QL 2895	CROSSMEMBER, Front Spring Rear Bracket	1
2		Attaching Parts: SCREW, cap, hex.hd. 5/8-18 NF x 2 -1/4 (1-1/2"thd.)(LAX 97 )	4
3	21AX 350	NUT	4
4	Not Used		
5	37AX 271	WASHER, Flat	4
<u>SECTION 1B - 9QLA 2906P2</u>			
Same as 9QLA 2906P1(Section 1A)			
NO PART NUMBER CHANGES.			
<u>SECTION 1C - 9QLA 2906P3</u>			
Same as 9QLA 2906P1(Section 1A)Except			
2		SCREW, cap, hex.hd. 5/8-18 NF x 1-3/4 (1-1/2"thd.)(LAX 50)	4
5	Omit		
<u>SECTION 1D - 9QLA 2906P4</u>			
Same as 9QLA 2906P1(Section 1A)Except			
2		SCREW, cap, hex.hd. 5/8-18 NF x 1-3/4 (1-1/2"thd.)(LAX 50)	4
5	Omit		
<u>SECTION 1E - 9QLA 2912P1</u>			
Same as 9QLA 2906P1(Section 1A)Except			
1	9QL 2911	CROSSMEMBER, Front Spring Rear Bracket	1
2		Attaching Parts: SCREW, cap, hex.hd. 5/8-18 NF x 1-3/4 (1-1/2"thd.)(LAX 50)	4
5	Omit		
<u>SECTION 1F - 9QLA 2912P2</u>			
Same as 9QLA 2906P1(Section 1A)Except			
1	9QL 2911	CROSSMEMBER, Front Spring Rear Bracket	1
2		Attaching Parts: SCREW, cap, hex.hd. 5/8-18 NF x 1-3/4 (1-1/2"thd.)(LAX 50)	4
5	Omit		

**MACK TRUCK-TRACTOR PARTS BOOK**

**GROUP 14K**

**SECTION 1**

**TITLE FRONT SPRING REAR BRACKET CROSSMEMBER MOUNTING ARRANGEMENT**

**(Continued)**

ITEM NO.	PART NUMBER	DESCRIPTION	NO. REQ.
		<u>SECTION 1G - 9QLA 2906AP1</u> Same as 1MUA 2906P1(Section 1A)Except	
1	9QLA 2895AP1	CROSSMEMBER, Front Spring Rear Bracket	1
		<u>SECTION 1H - 9QLA 2906AP2</u> Same as 1MUA 2906P1(Section 1A)Except	
1	9QLA 2895AP1	CROSSMEMBER, Front Spring Rear Bracket	1
		<u>SECTION 1J - 9QLA 2906AP3</u> Same as 1MUA 2906P1(Section 1A)Except	
1	9QLA 2895AP1	CROSSMEMBER, Front Spring Rear Bracket	1
2	Omit	SCREW, cap, 5/8-18 NF x 1-3/4 (1-1/2"thd.)(1AX 50)	4
5	Omit		
		<u>SECTION 1K - 9QLA 2906AP4</u> Same as 1MUA 2906P1(Section 1A)Except	
1	9QLA 2895AP1	CROSSMEMBER, Front Spring Rear Bracket	1
2	Omit	SCREW, cap, 5/8-18 NF x 1-3/4 (1-1/2"thd.)(1AX 50)	4
5	Omit		
		<u>SECTION 1L - 9QLA 2906AP5</u> U Models Same as 1MUA 2906P1(Section 1A)Except	
1	9QLA 2895AP2	CROSSMEMBER, Front Spring Rear Bracket	1
		<u>SECTION 1M - 9QLA 2906AP6</u> U Models Same as 1MUA 2906P1(Section 1A)Except	
1	9QLA 2895AP2	CROSSMEMBER, Front Spring Rear Bracket	1
		<u>SECTION 1N - 9QLA 2906AP7</u> U Models Same as 1MUA 2906P1(Section 1A)Except	
1	9QLA 2895AP2	CROSSMEMBER, Front Spring Rear Bracket	1
2	Omit	SCREW, cap, 5/8-18 NF x 1-3/4 (1-1/2"thd.)(1AX 50)	4
5	Omit		
		<u>SECTION 1P - 9QLA 2906AP8</u> U Models Same as 1MUA 2906P1(Section 1A)Except	
1	9QLA 2905AP2	CROSSMEMBER, Front Spring Rear Bracket	1
2	Omit	SCREW, cap, 5/8-18 NF x 1-3/4 (1-1/2"thd.)(1AX 50)	4
5	Omit		

# Mack PARTS BOOK

## INDEX

### GROUP #15 - CAB & SHEET METAL

The Following Variations Apply to this Group

KEY						
ILLUSTRATION NO.	PART NUMBER	DESCRIPTION	GROUP	SECTION	PAGE	
36-1718-120	36QR 4382P3	INSTRUMENT PANEL ASSY	15F	108C	15F-108-1	
Same as Standard Except for the Following:						
	G )					
	Thru)Omit					
	H-1 )					
	K 4MR 2125	PLATE, Overspeed Warning & Shut-Down Instruction				1
4-1719-32,40	4QS 545P1	CAB MOUNTING ARRGT	15J	36M	15J-36-4	
Same as Standard Except for the Following:						
	L 1RY 220P2	BAR, Torsion				2
106-1719-28	106QS 529P2	SEAT MOUNTING ARRGT	15M	36A	15M-36-1	
Same as Standard Except for the Following:						
	J 70QW 433AP1	SEAT ASSY, Drivers				1
Same as Standard Except for the Following:						
	D 68QS 177	CUSHION, Drivers Seat Back				1
	J 66QS 1103	CUSHION ASSY, Drivers Seat				1
	S 68QS 177	CUSHION, Riders Seat Back				1
	V 66QS 1104	CUSHION, Riders Seat				1
	AF 130QW 12	REST COMPLETE, Riders Seat Arm				1
8-1320-55	8MT 3149P1	GAUGE PANEL ASSY	15AC	78A	15AC-78-1	
Same as Standard Except for the Following:						
	A 8MT 3178P5	PANEL, Gauge				1
	A-1 64MO 235	SOCKET ASSY, Panel Lamp				1
	B 2MT 219	AMMETER, Shunt, D.C. 150 Amp				1
	B-1 41MO 31P1	BULB, Ammeter				1
3-1719-2	3QS 1249	CAB INTERIOR GROOMING ARRGT	15AR	8W	15AR-8-5	
Same as Standard Except for the Following:						
	D Omit					

#### SPECIAL EQUIPMENT

1MR 188	LEVER, Ignition Switch	1
11ORT 27	PLATE, Warning (To Raise or Lower Cab Shift Stick- Must Be in Forward Position)	1



4248A 12/8/65 ejm-jd PAGE #15-1

CHASSIS NUMBER must always be given with PART NUMBER when ordering.

# Mack PARTS BOOK

## INDEX (Cont)

### GROUP #15 - CAB & SHEET METAL (Cont)

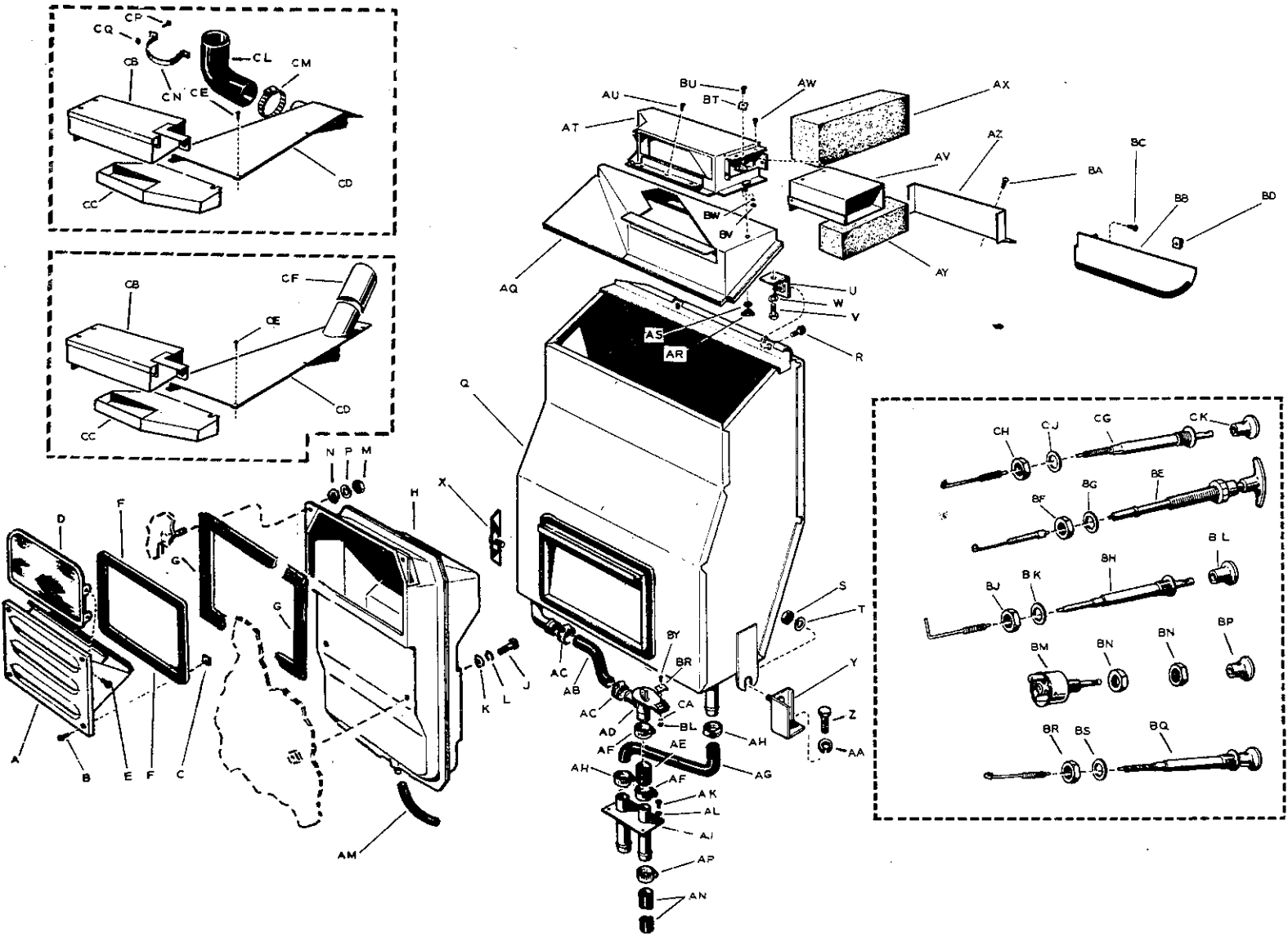
#### SPECIAL EQUIPMENT (Cont)

116QS 1122	PANEL, Trim, RH (Back of Cab)	1
116QS 1123	PANEL, Trim, LH (Back of Cab)	1
	Att Parts:	
130AX 90	SCREW, Machine Flat Phillips hd. #12-24 NC x 2	24

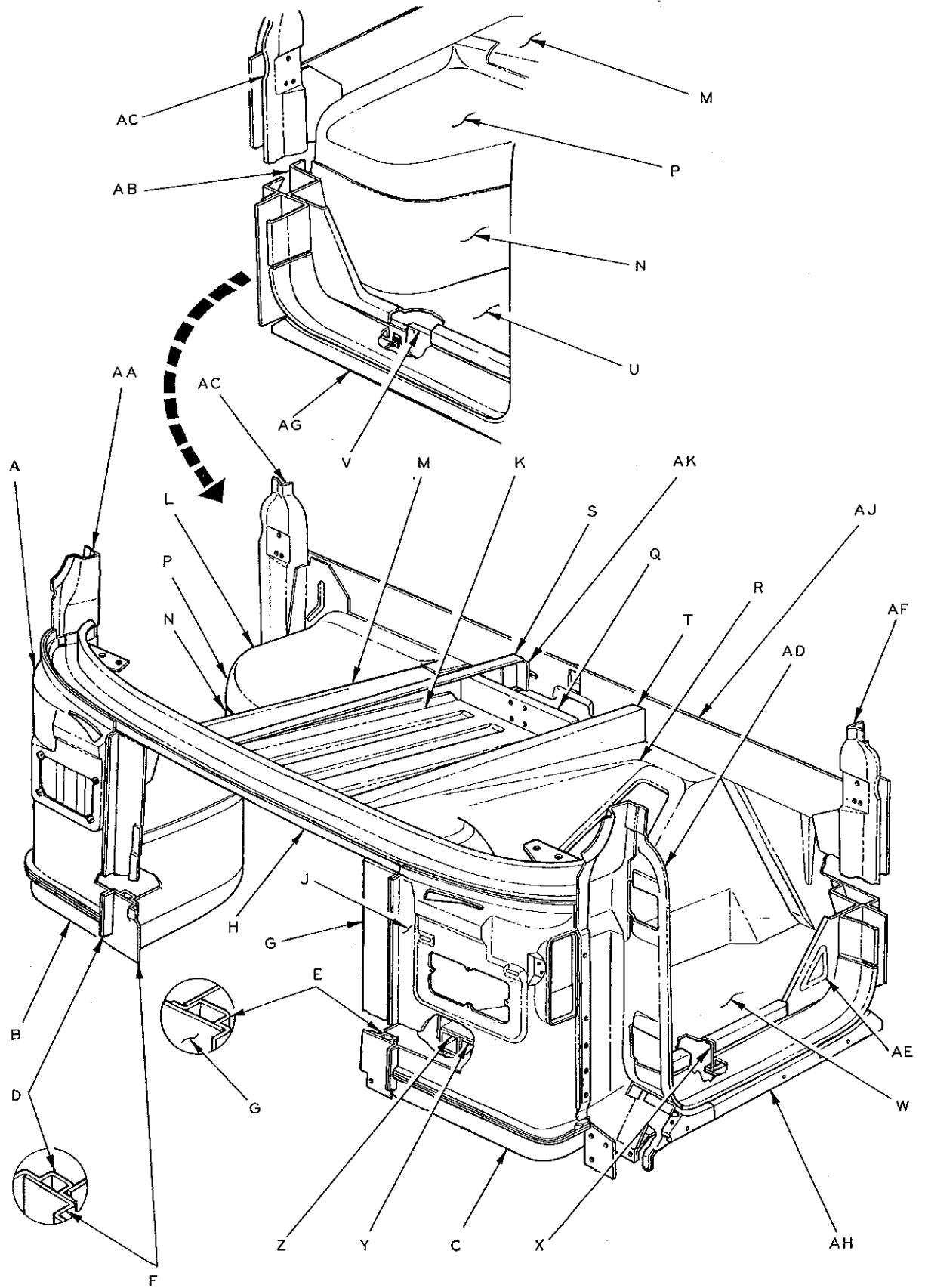
#### COMPONENTS

20QE 1158	33QT 358
72QS 1168	35QT 27P3
84QS 55	70QW 433AP1
84QS 56	2RD 521
33QT 357	5RG 373



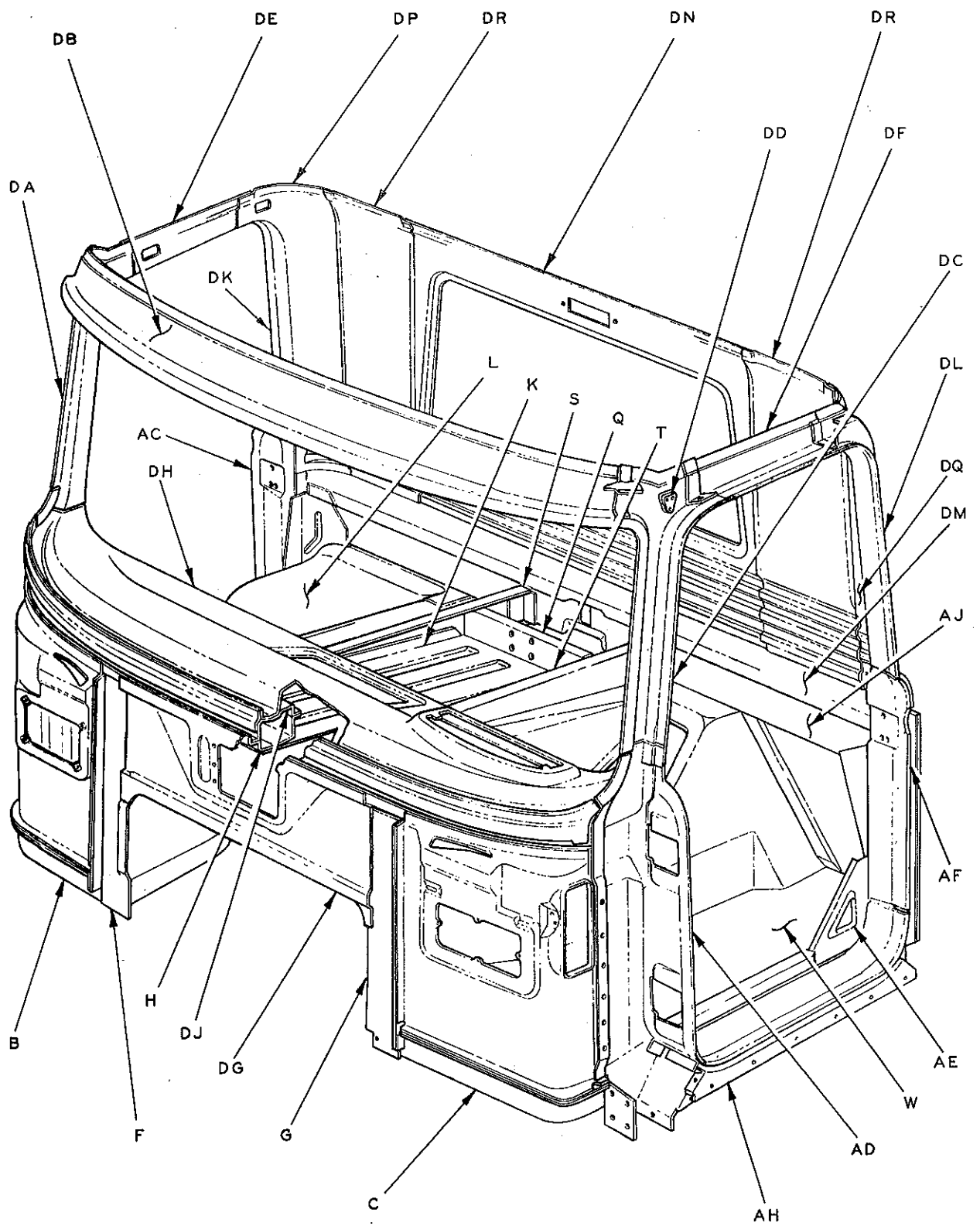


HEATER MOUNTING ARRANGEMENT



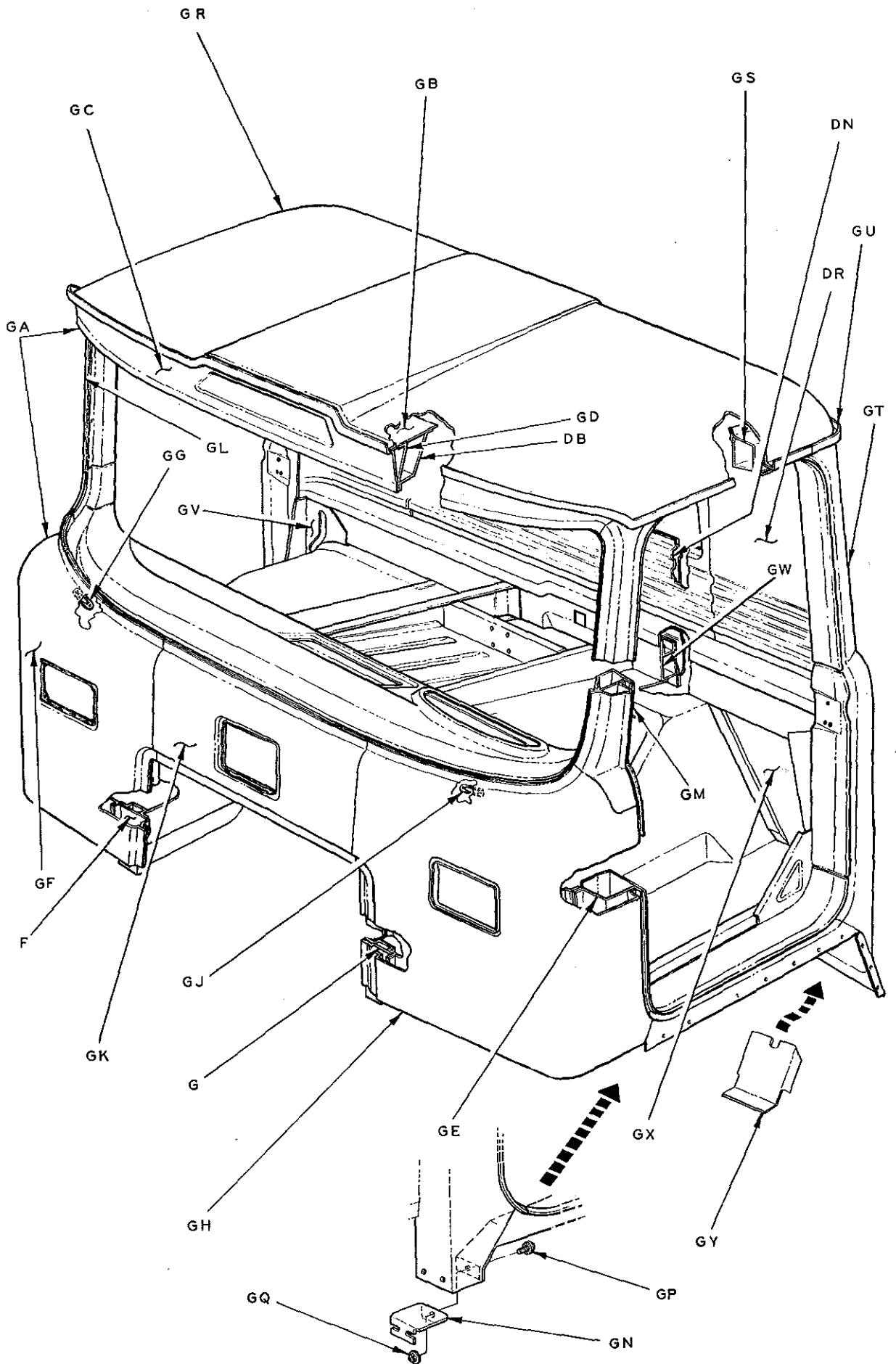
CAB-IN-WHITE (WELDED) (CA 38)



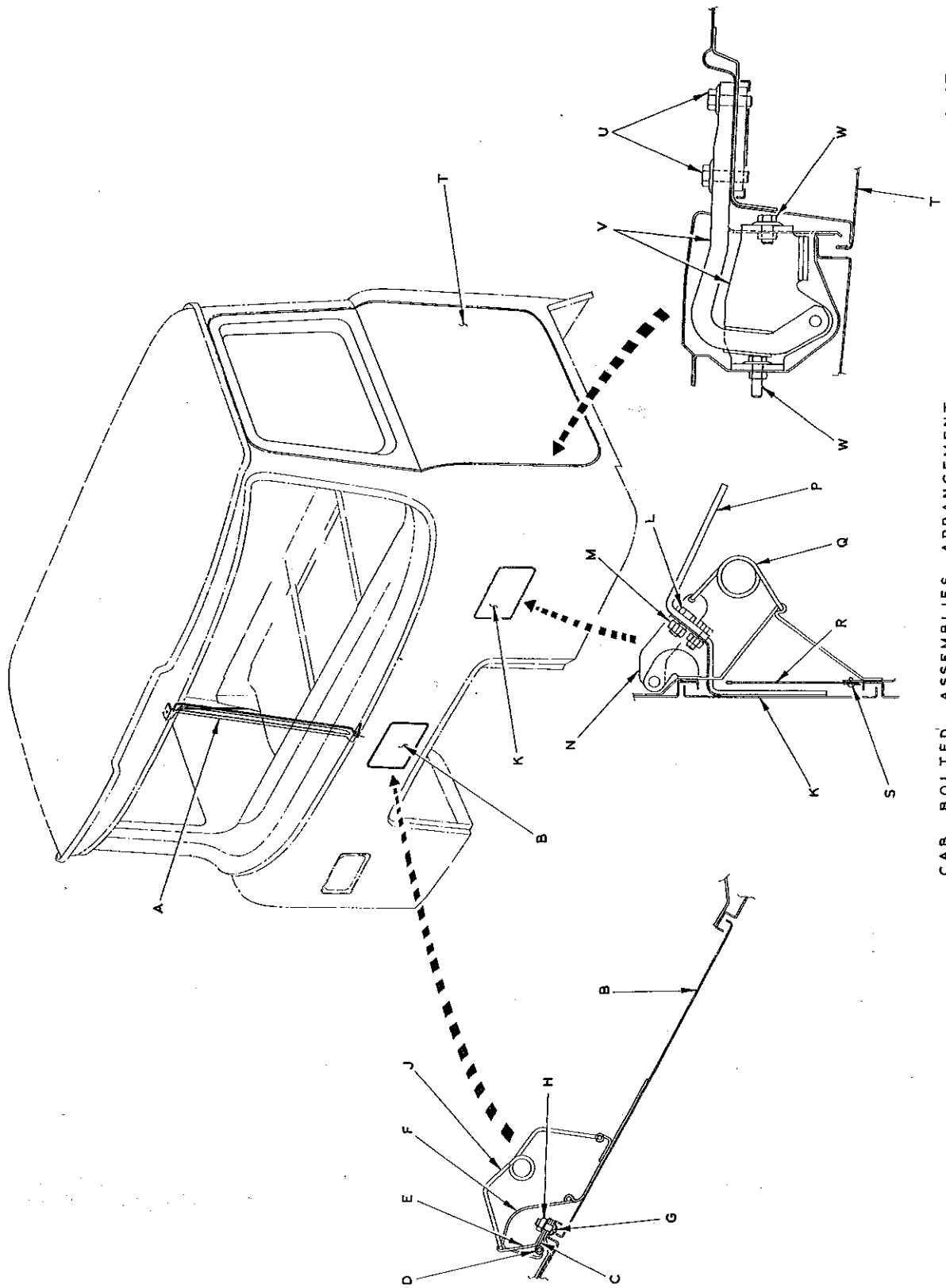


CAB-IN-WHITE (WELDED) (CA 38)

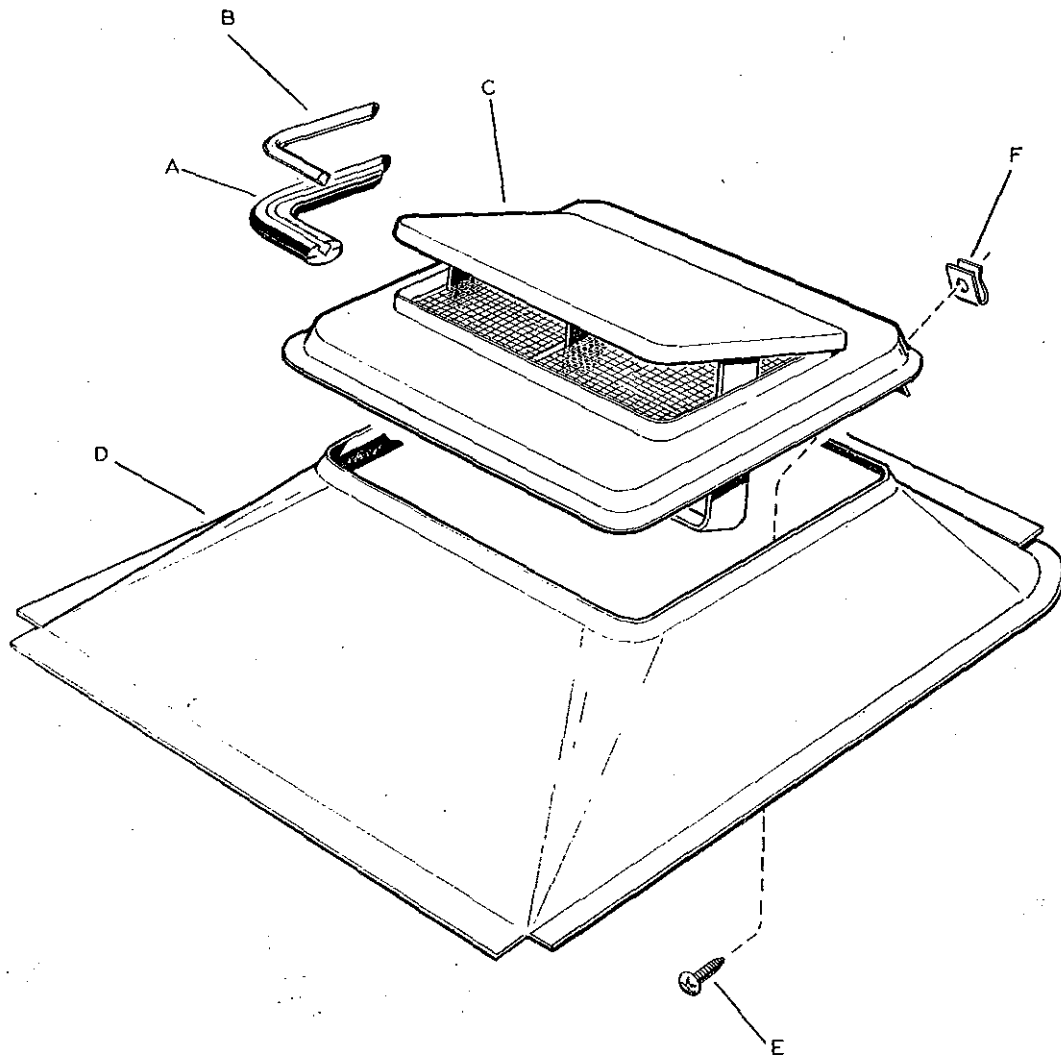
I-1719-184



CAB-IN-WHITE (WELDED) (CA 38)

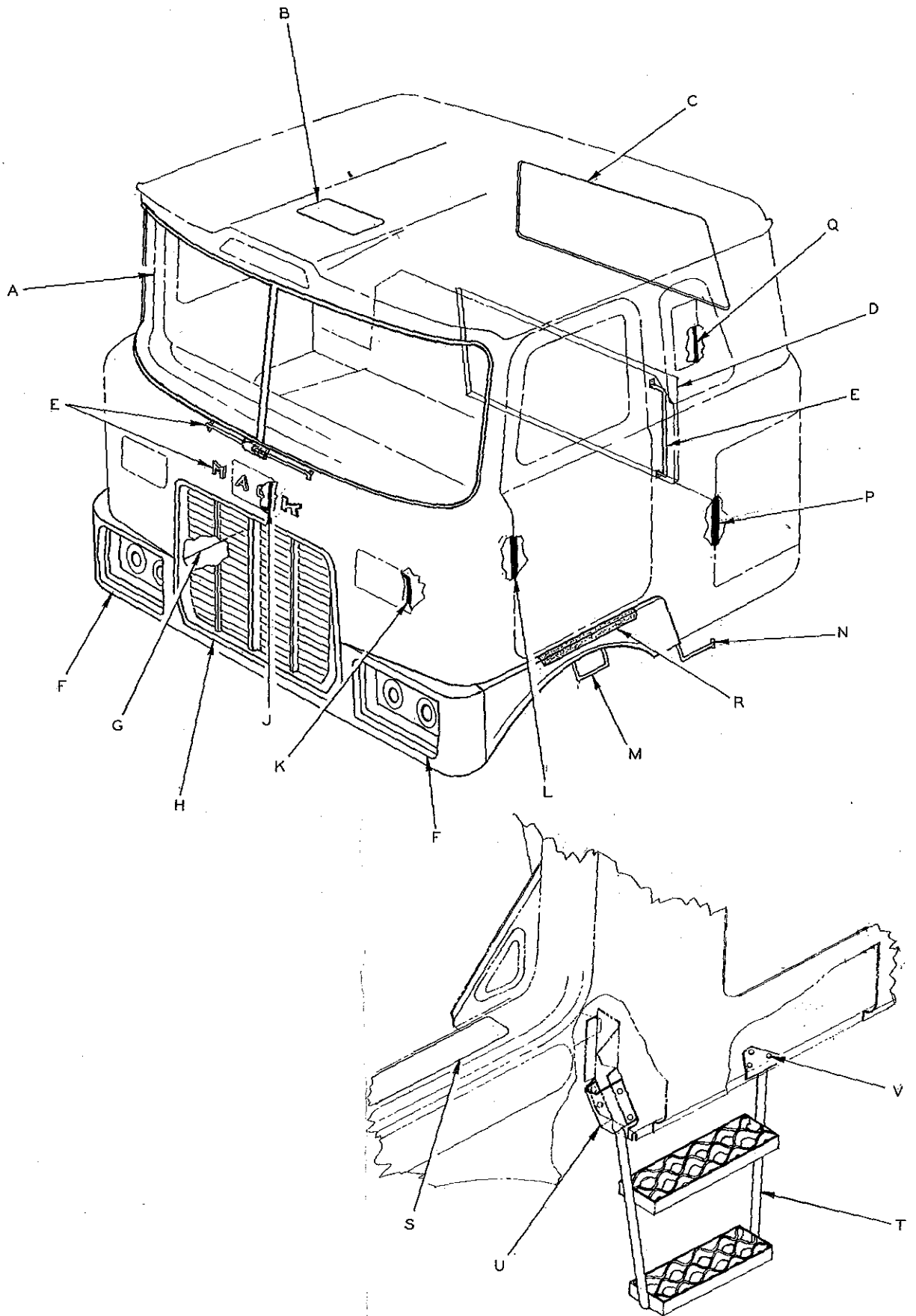


CAB BOLTED ASSEMBLIES ARRANGEMENT



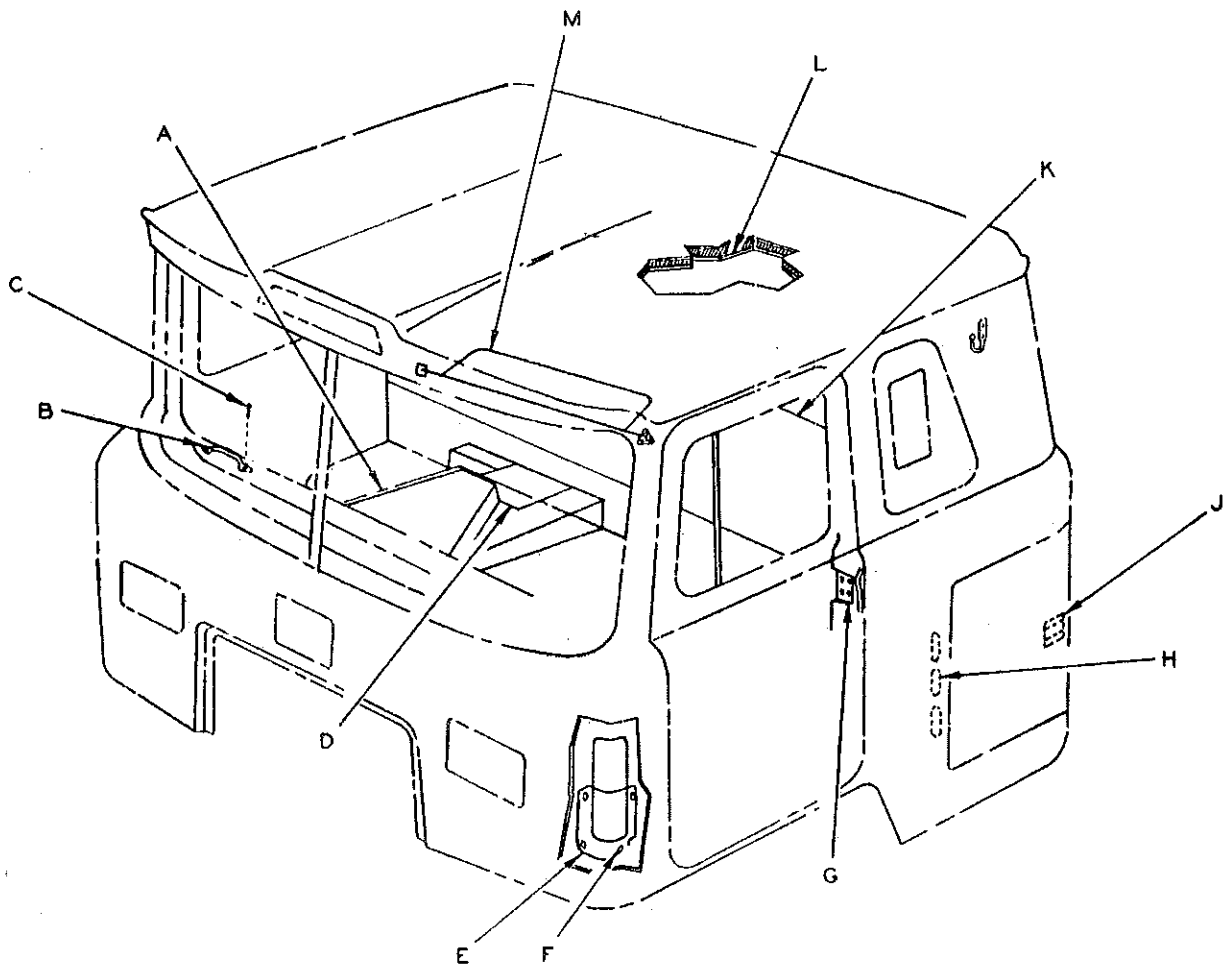
CAB ROOF VENT MOUNTING ARRGT

I-1721-6



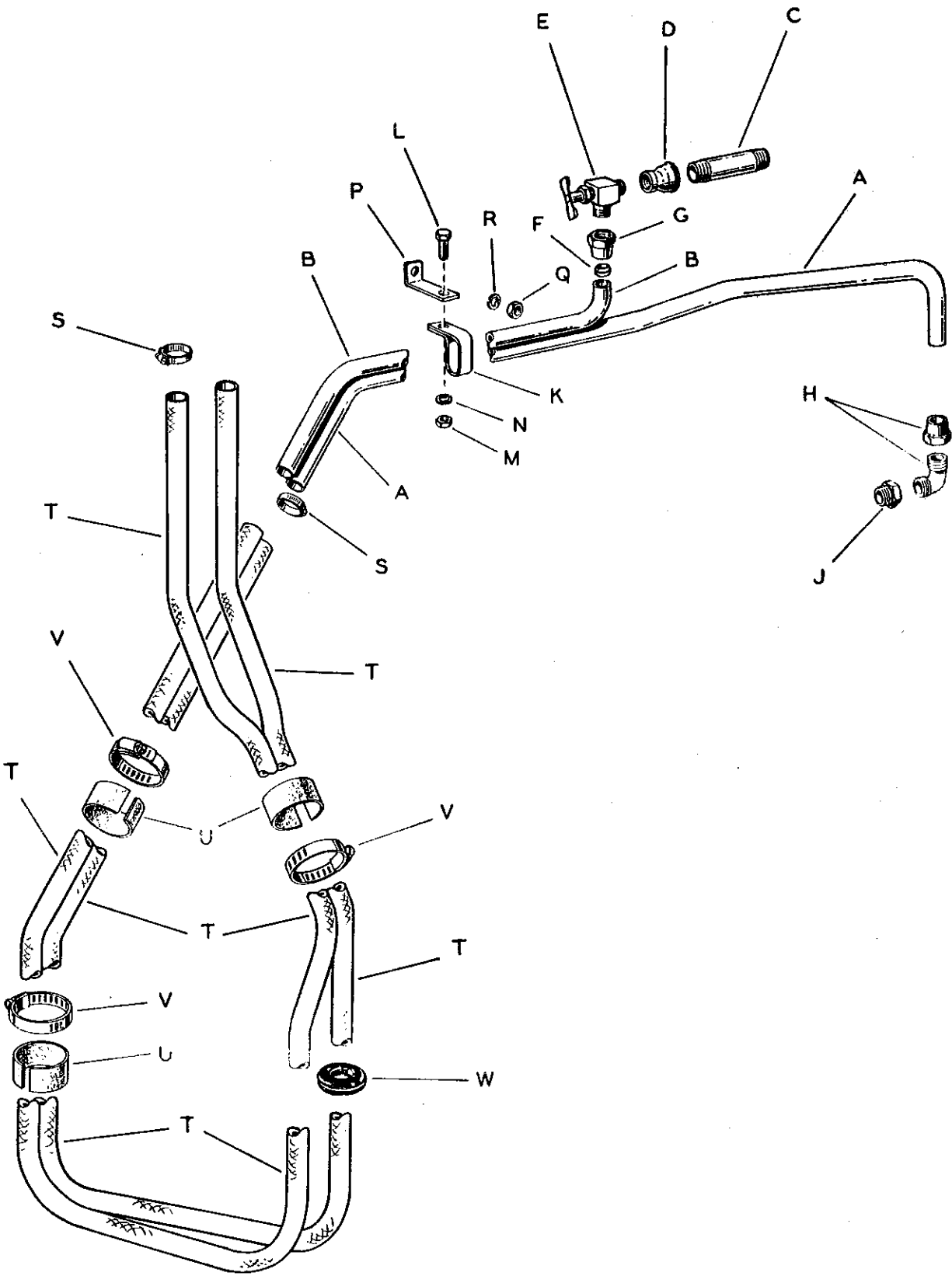
CAB EXTERIOR GROOMING ARRG'T.

3-1719-1  
ISSUE-2

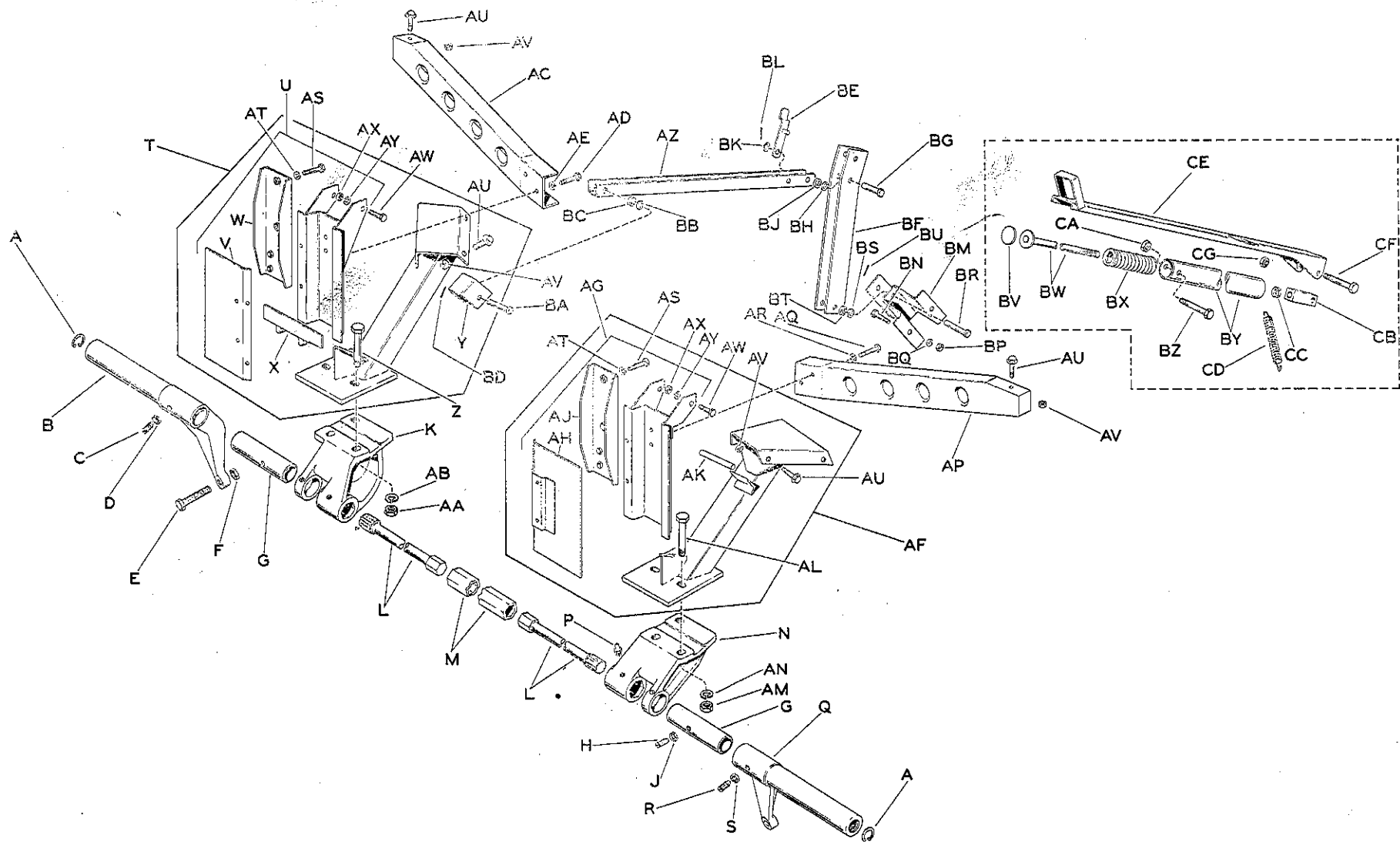


13-1719-2

CAB INTERIOR GROOMING ARRGT.

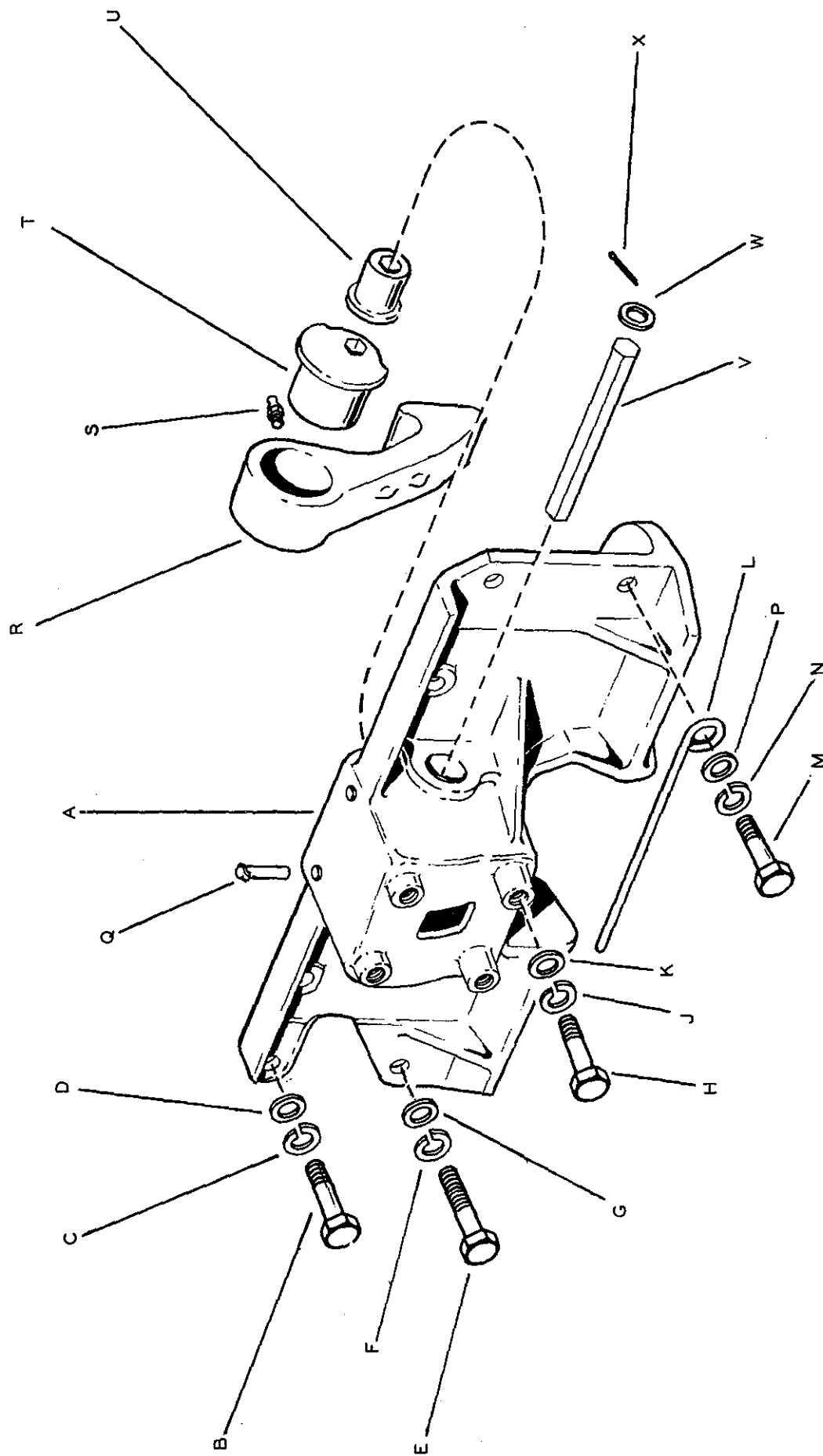


CAB HEATER PIPING ARRANGEMENT

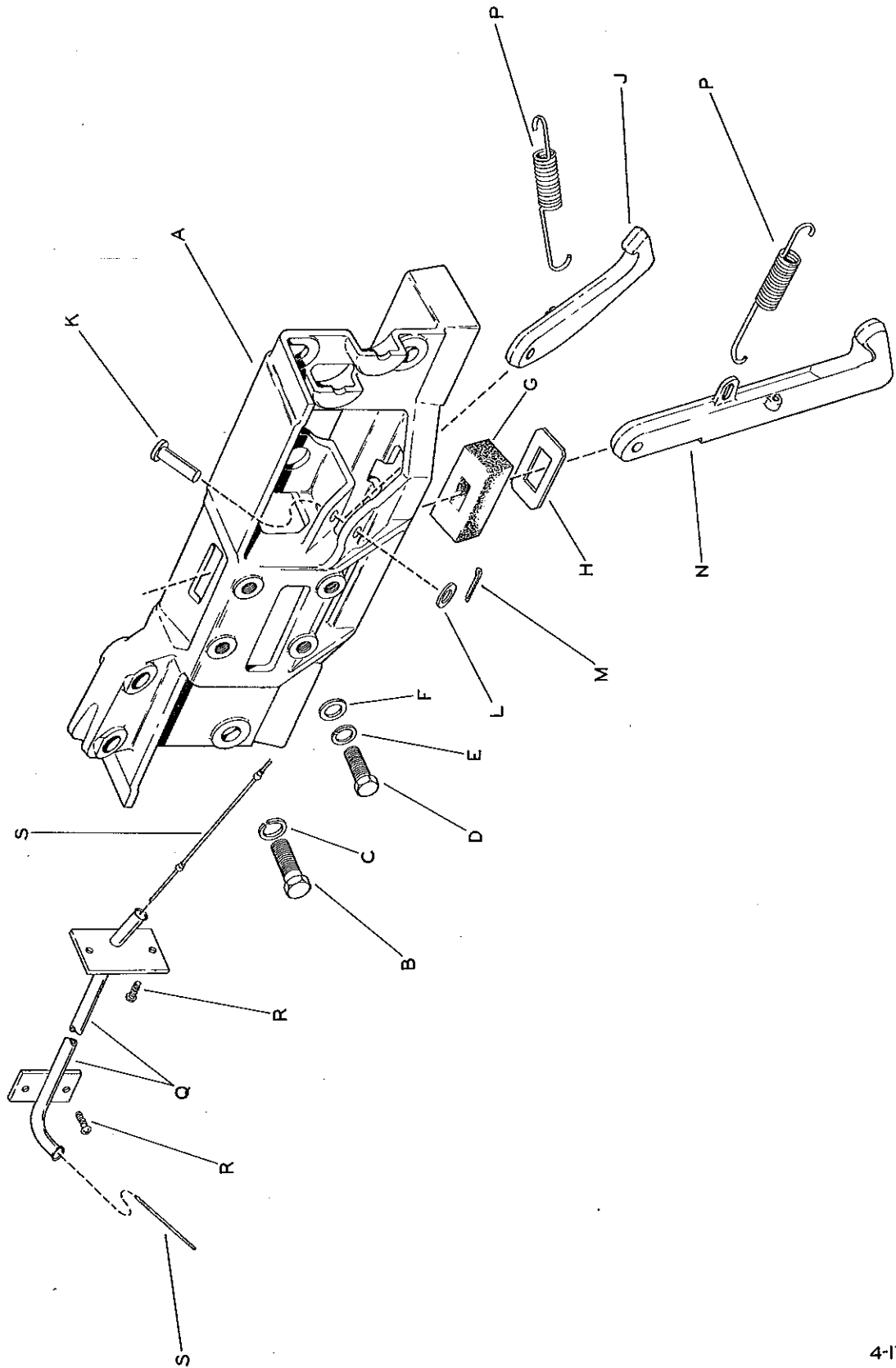


CAB MOUNTING ARRANGEMENT

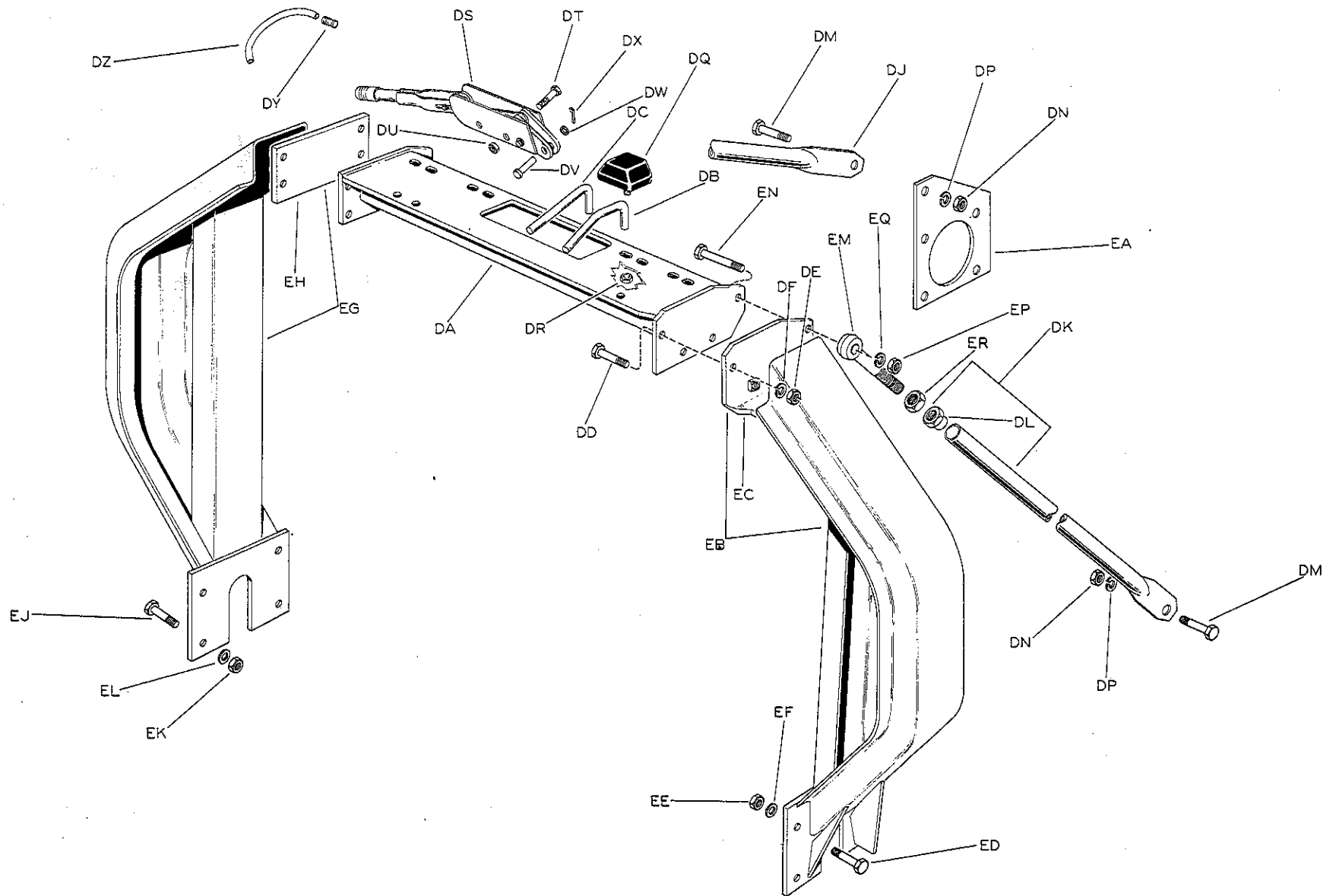




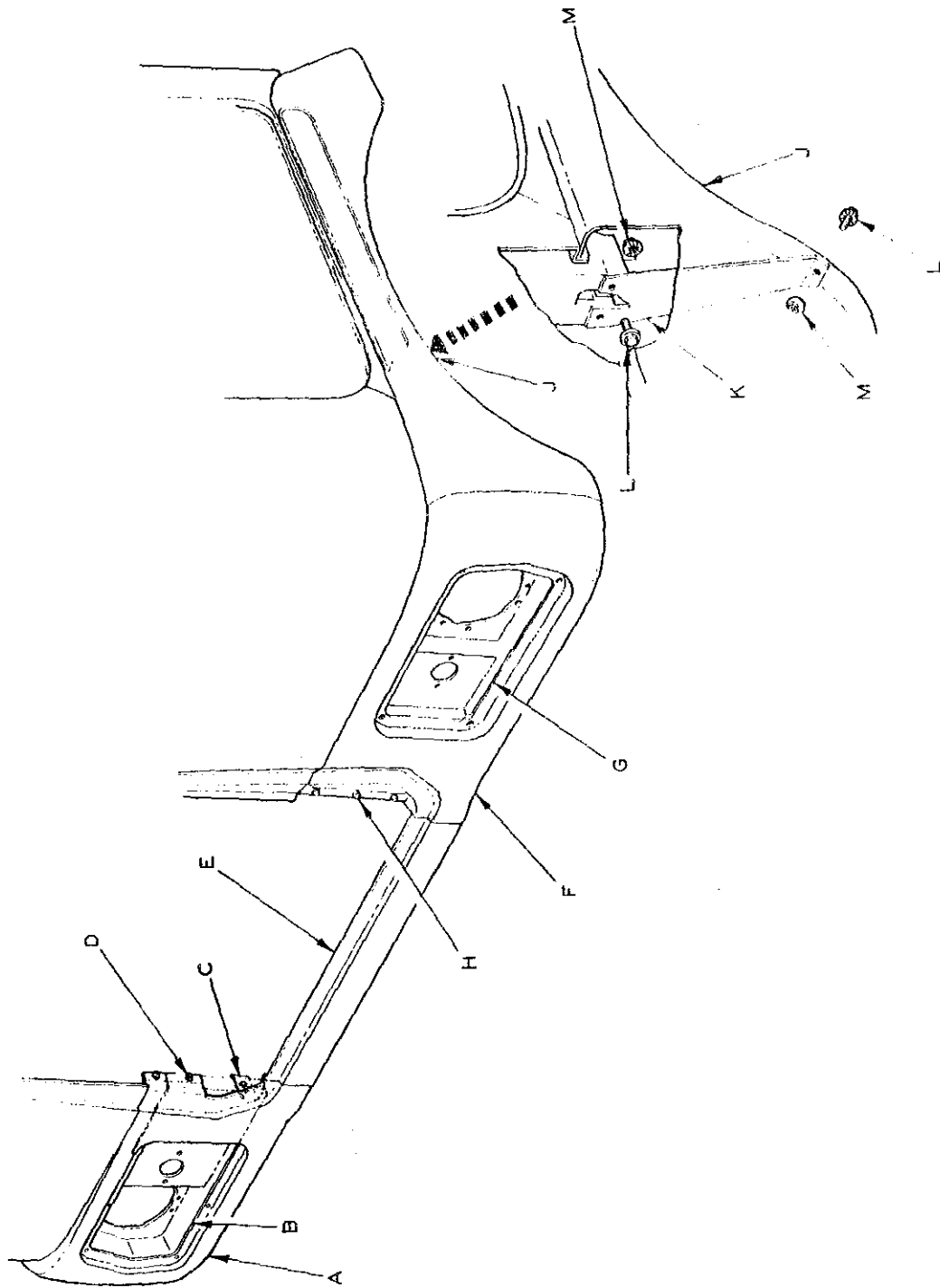
PARTIAL CAB MOUNTING ARRANGEMENT



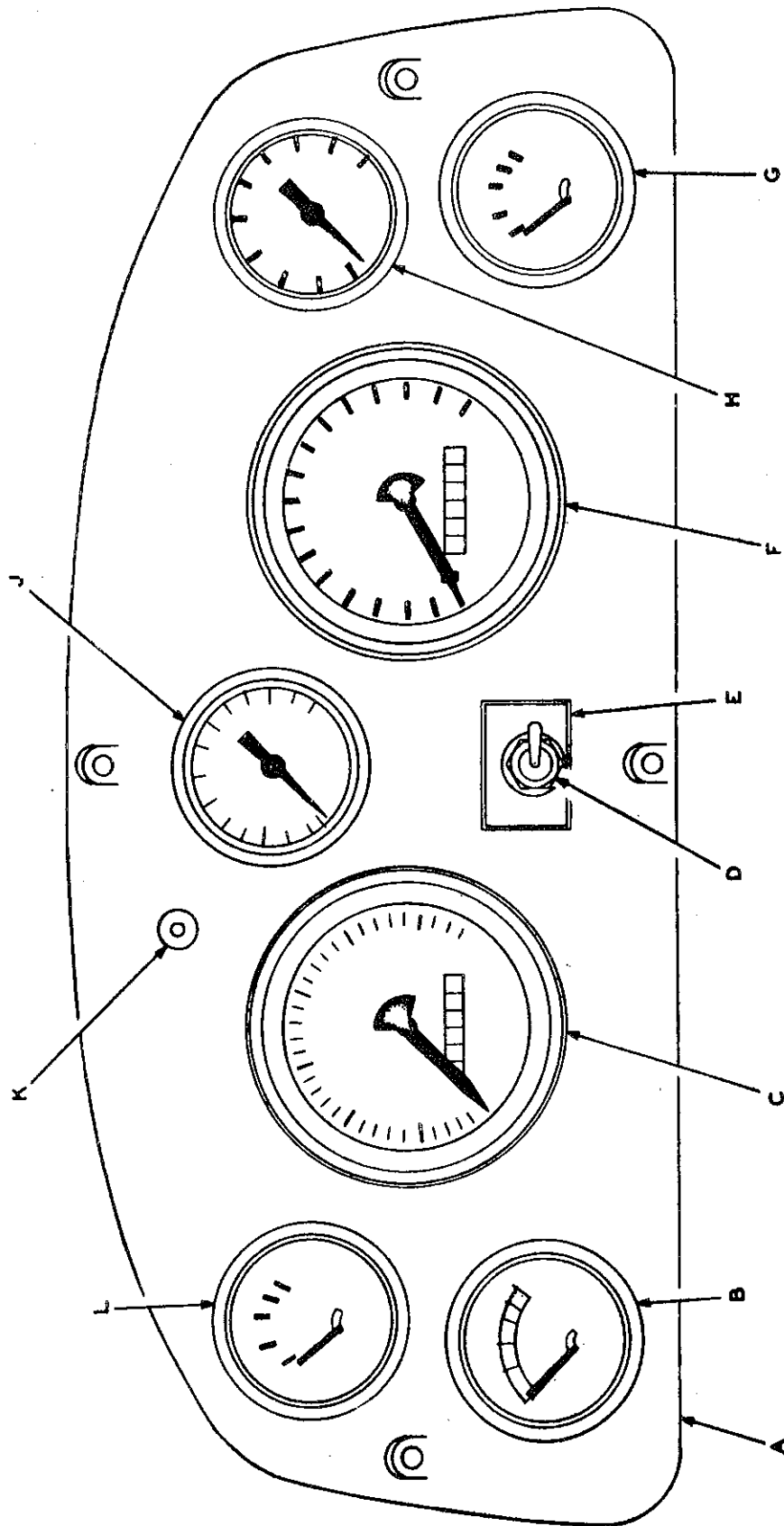
CAB MOUNTING ARRANGEMENT (PARTIAL)



CAB MOUNTING ARRANGEMENT



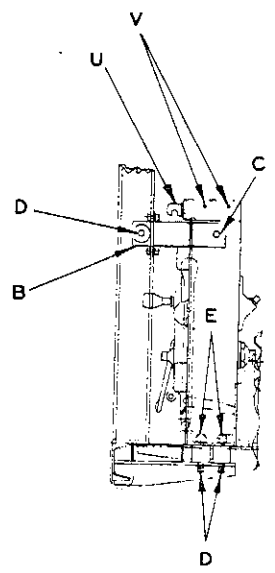
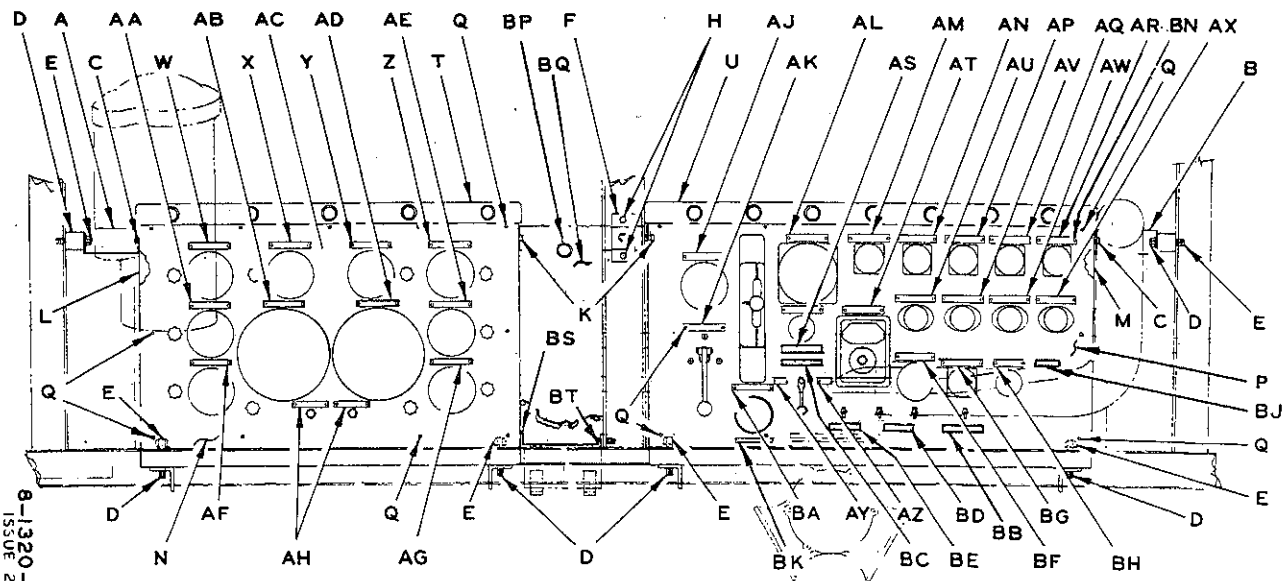
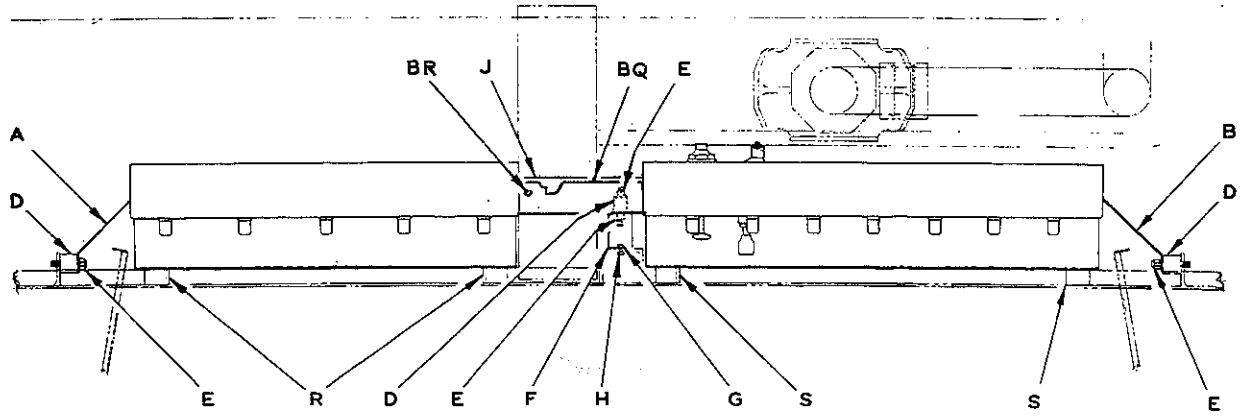
CAB - LOWER PANEL MOUNTING ASSEMBLY



GAUGE PANEL ASSEMBLY

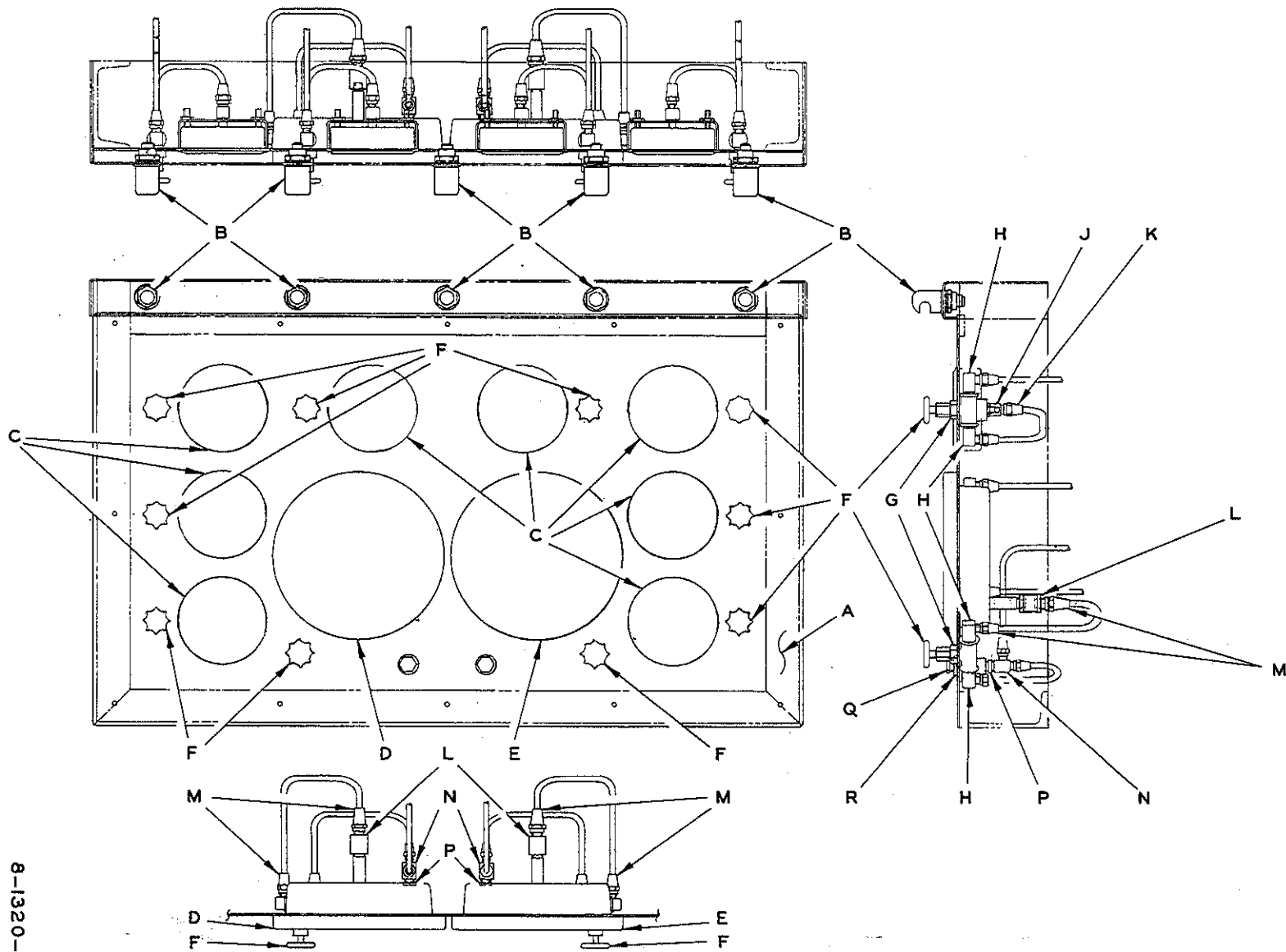
8-1320-55

天



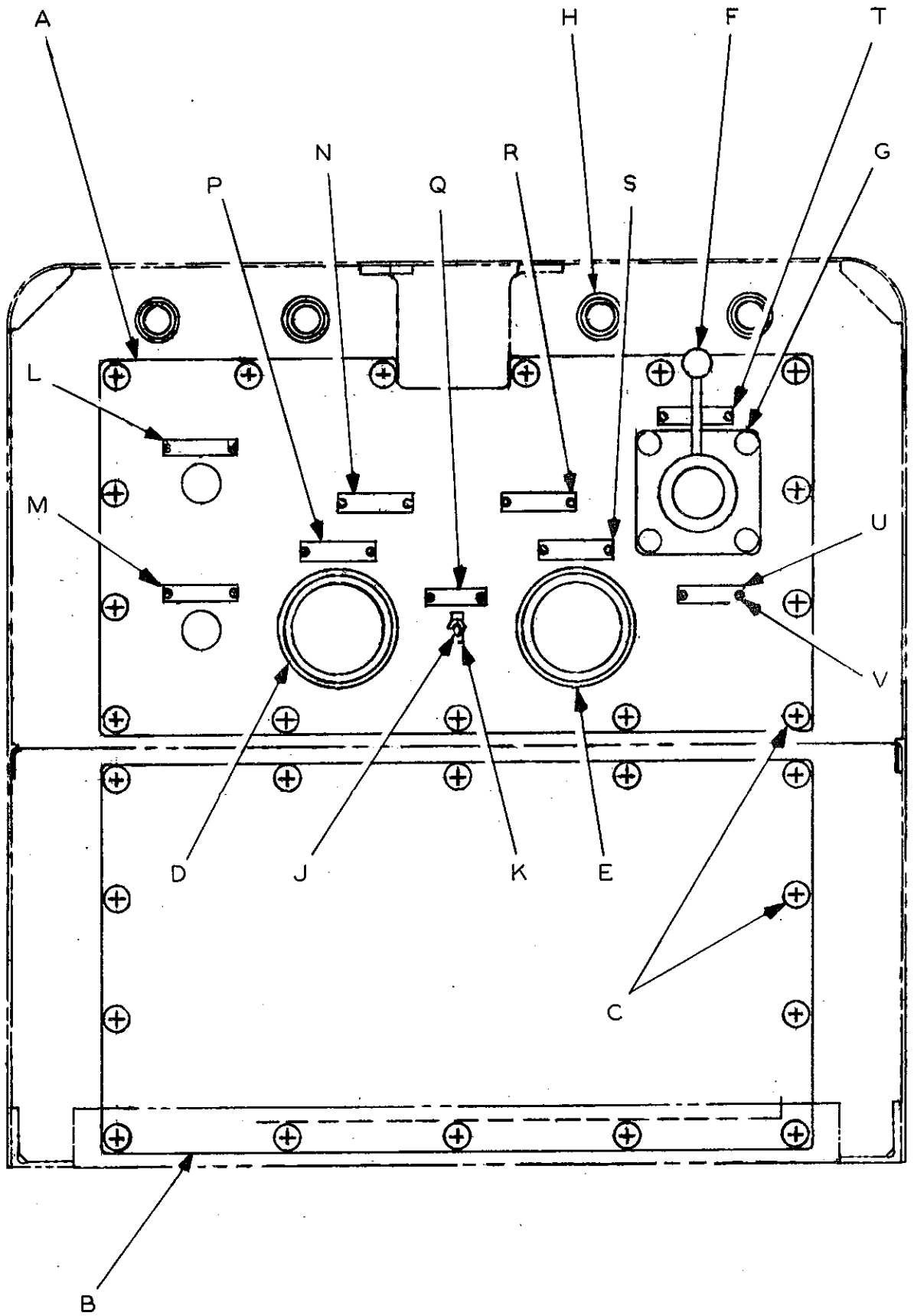
8-1320-74  
ISSUE 2

GAUGE AND INSTRUMENT MOUNTING ARRANGEMENT



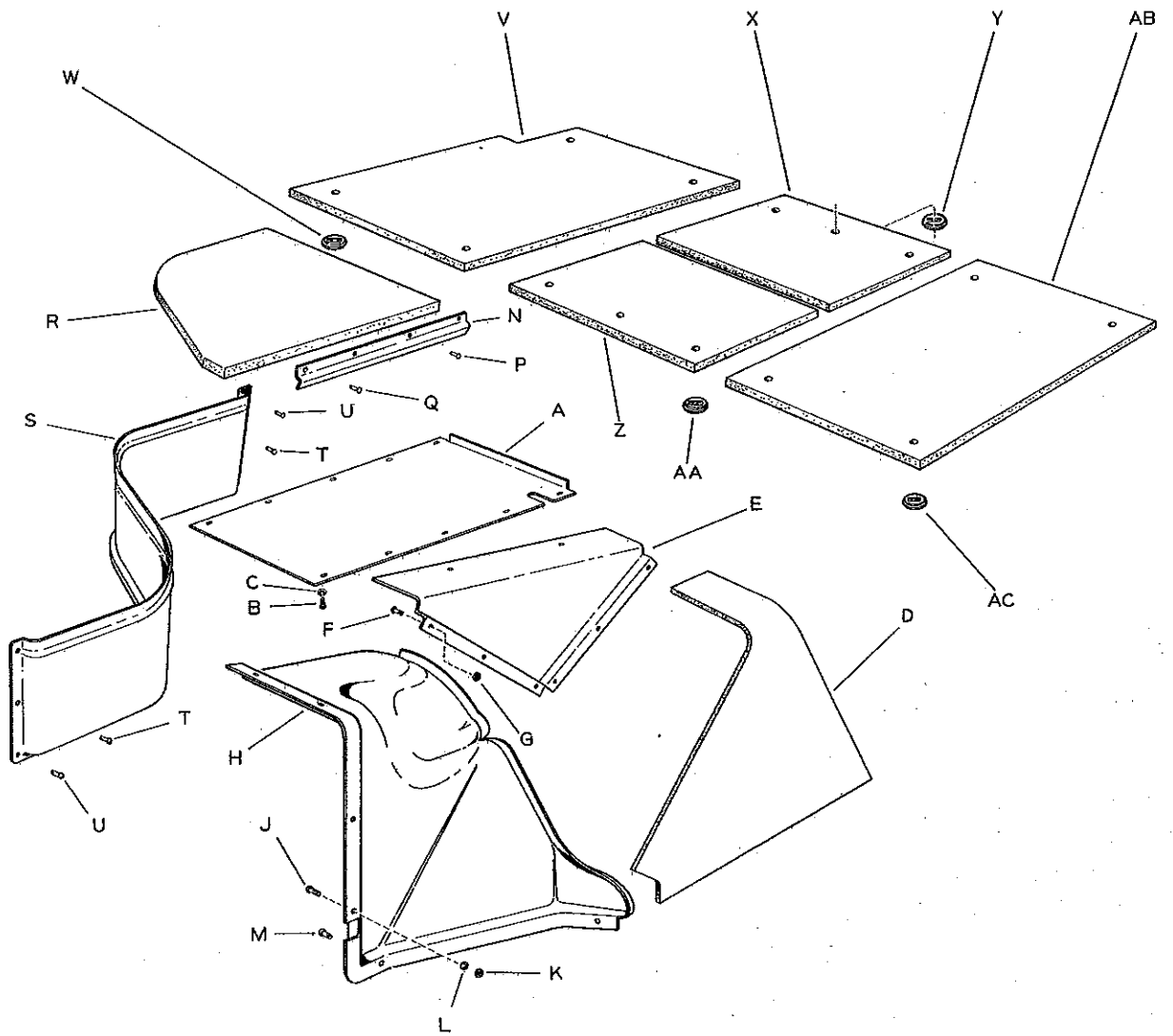
8-1320-75

GAUGE ASSEMBLY AND PIPING ARRANGEMENT



IK INSTRUMENT AND GAUGE PANEL MOUNTING ARRANGEMENT 8-1320-80

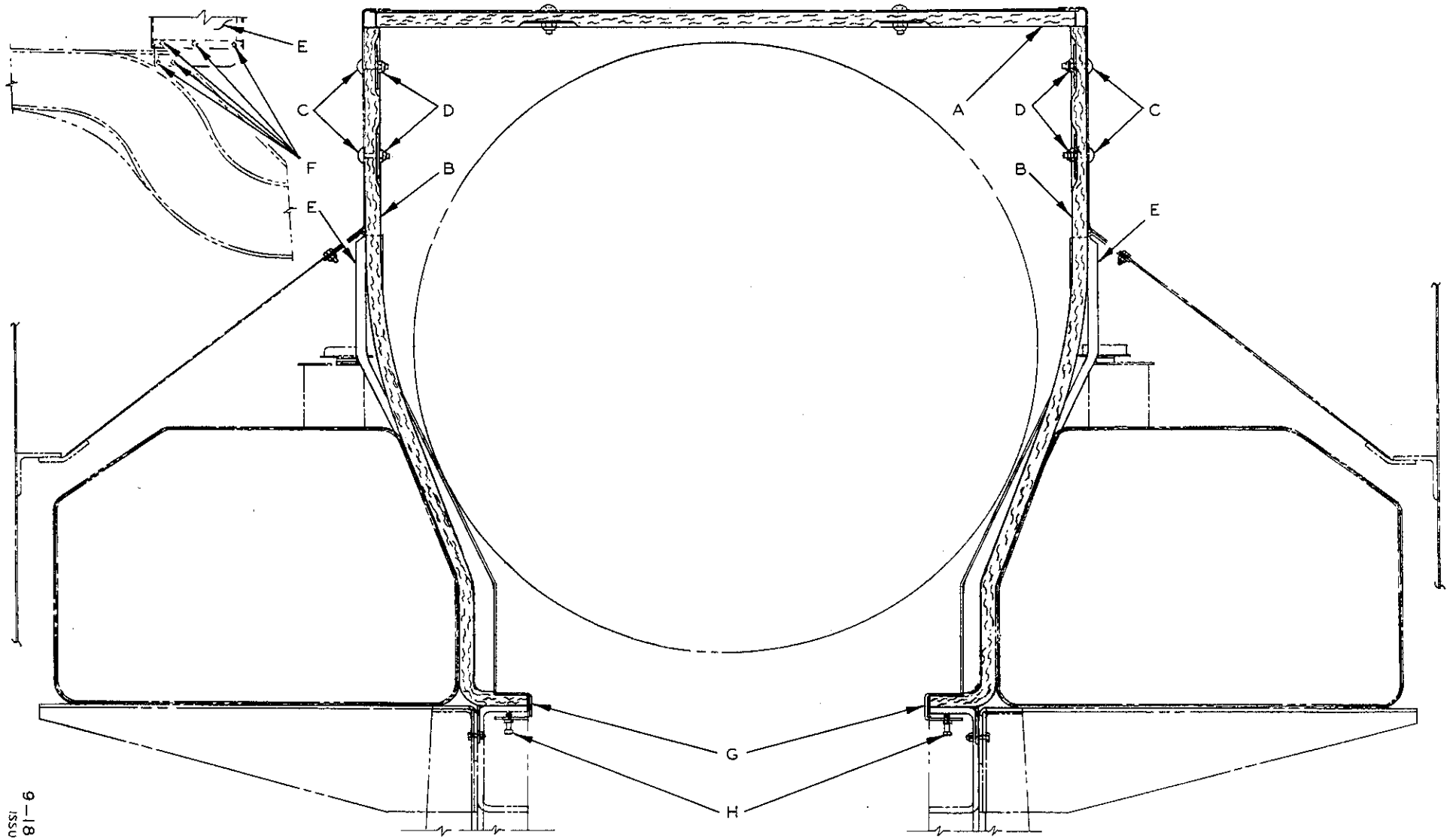




ENGINE COMPARTMENT INSULATION MOUNTING ARRANGEMENT

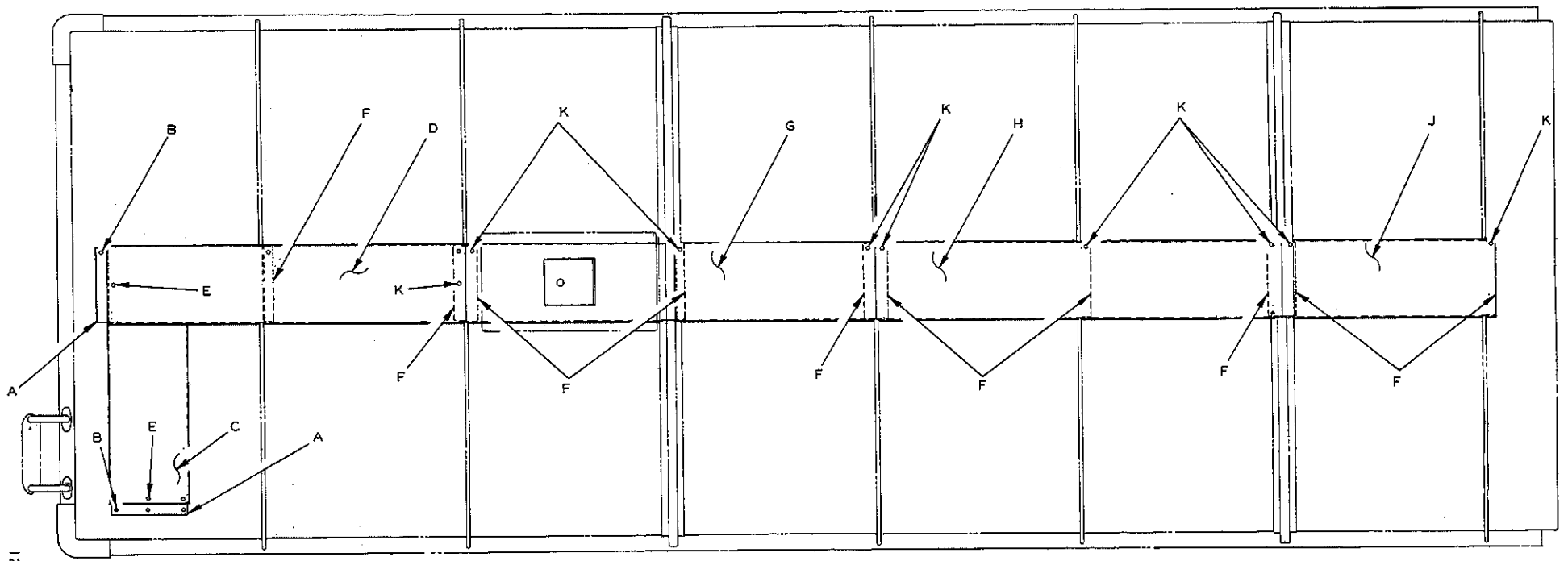
9-1821-1  
ISSUE 2

IK



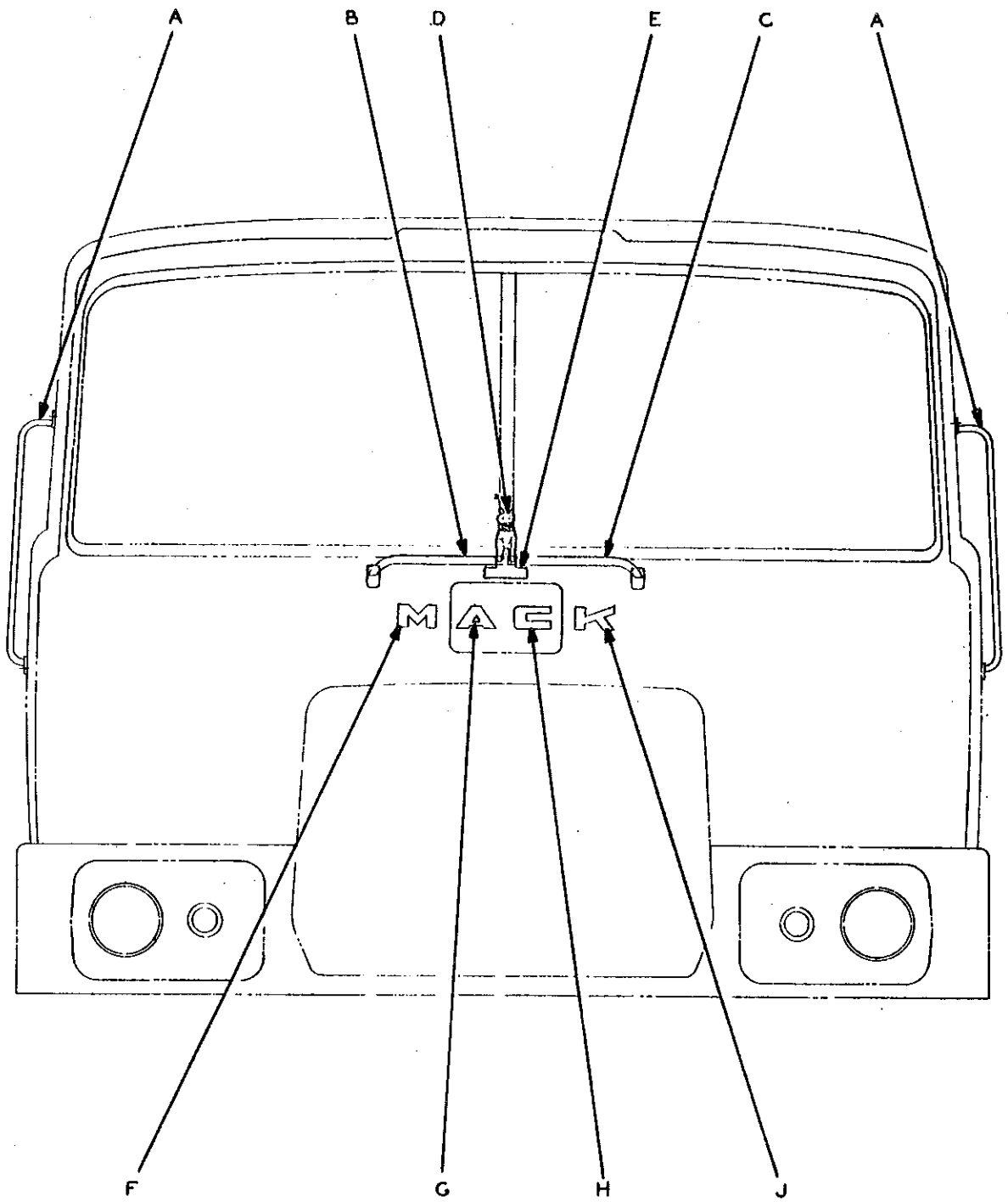
9-1821-2  
ISSUE 2

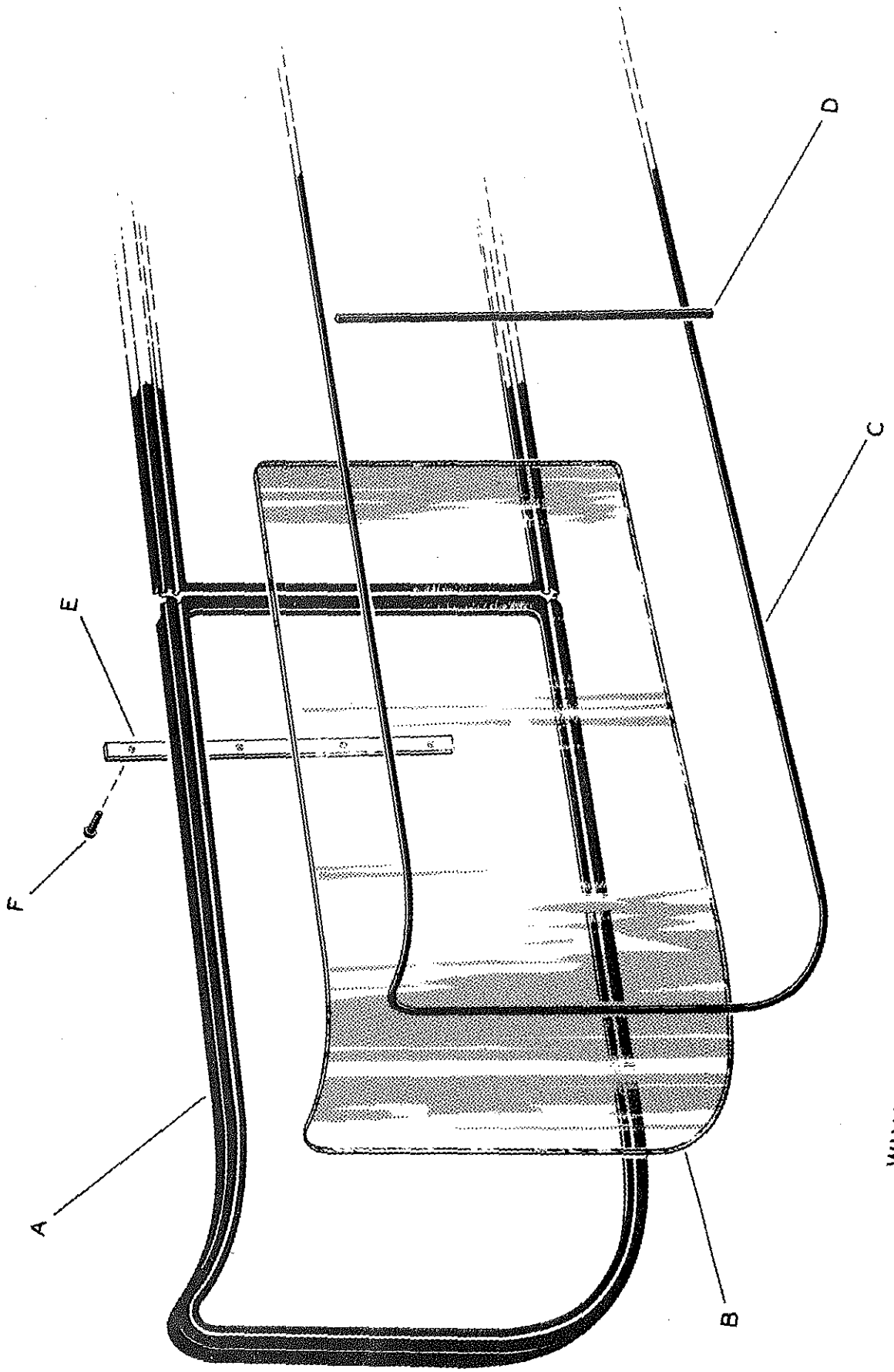
MUFFLER INSULATION MOUNTING ARRANGEMENT



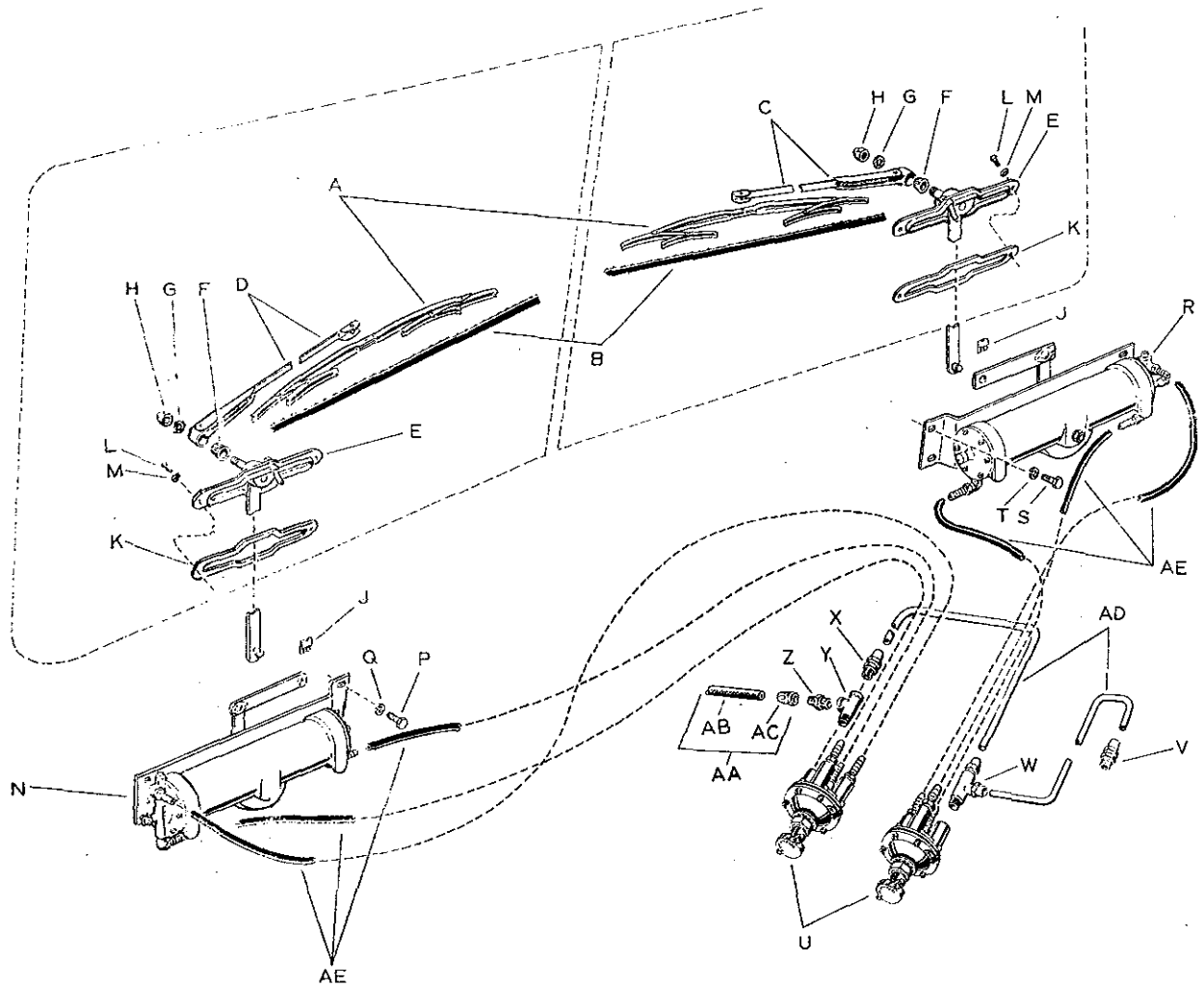
RUNNING BOARD MOUNTING ARRANGEMENT

12-1713-80

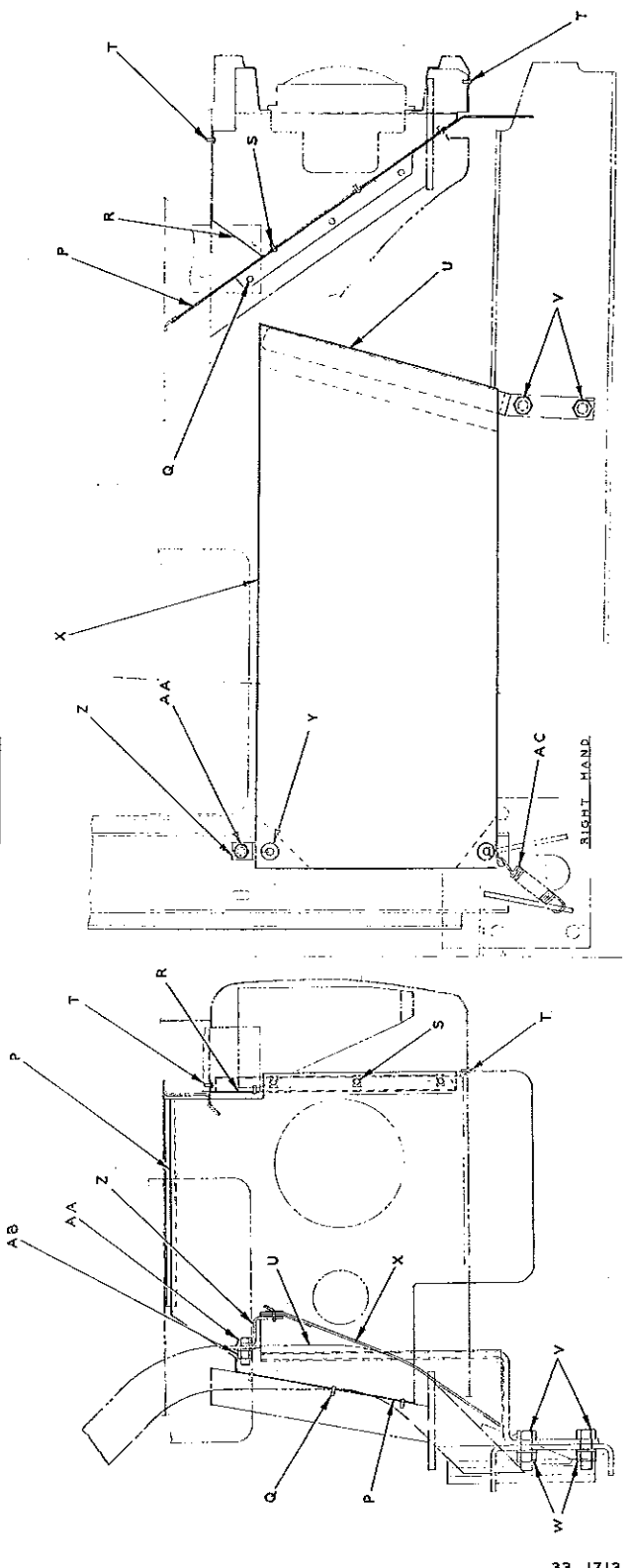
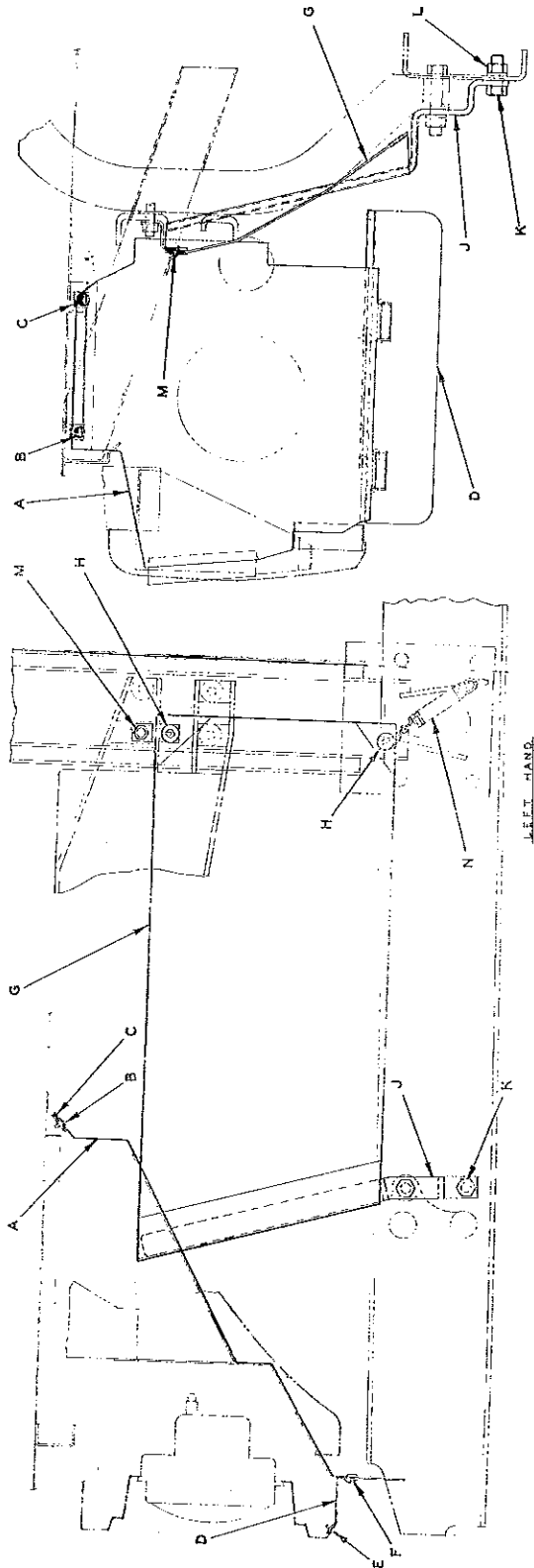




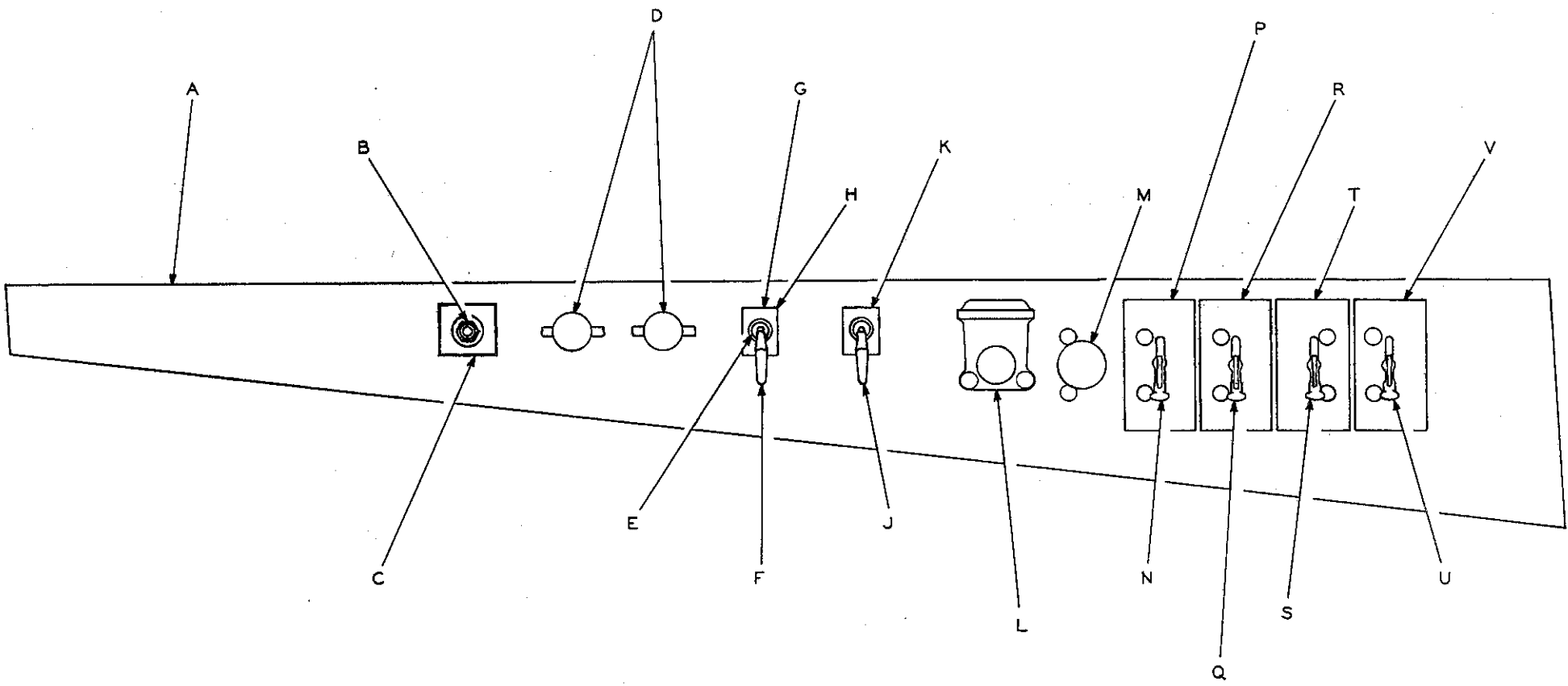
WINDSHIELD MOUNTING ARRANGEMENT



WINDSHIELD WIPER ARRANGEMENT



LEFT & RIGHT HAND SPLASH APRON MTS ARRGT

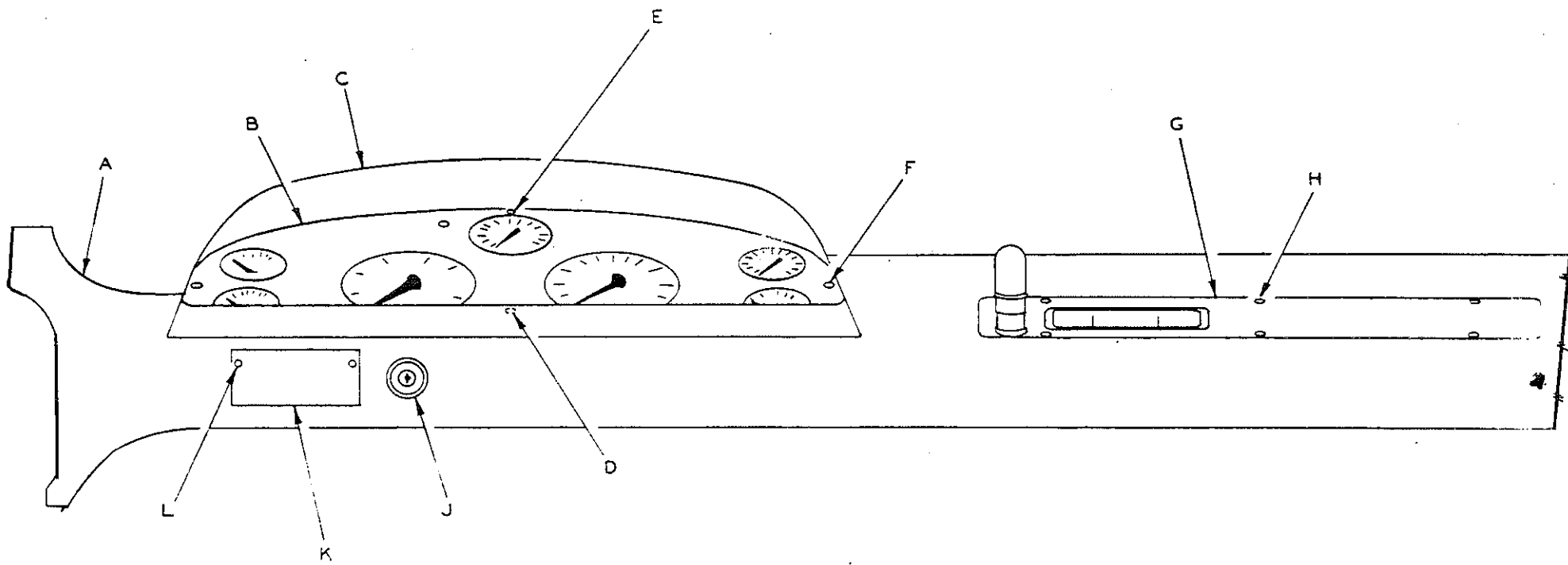


36-1718-119

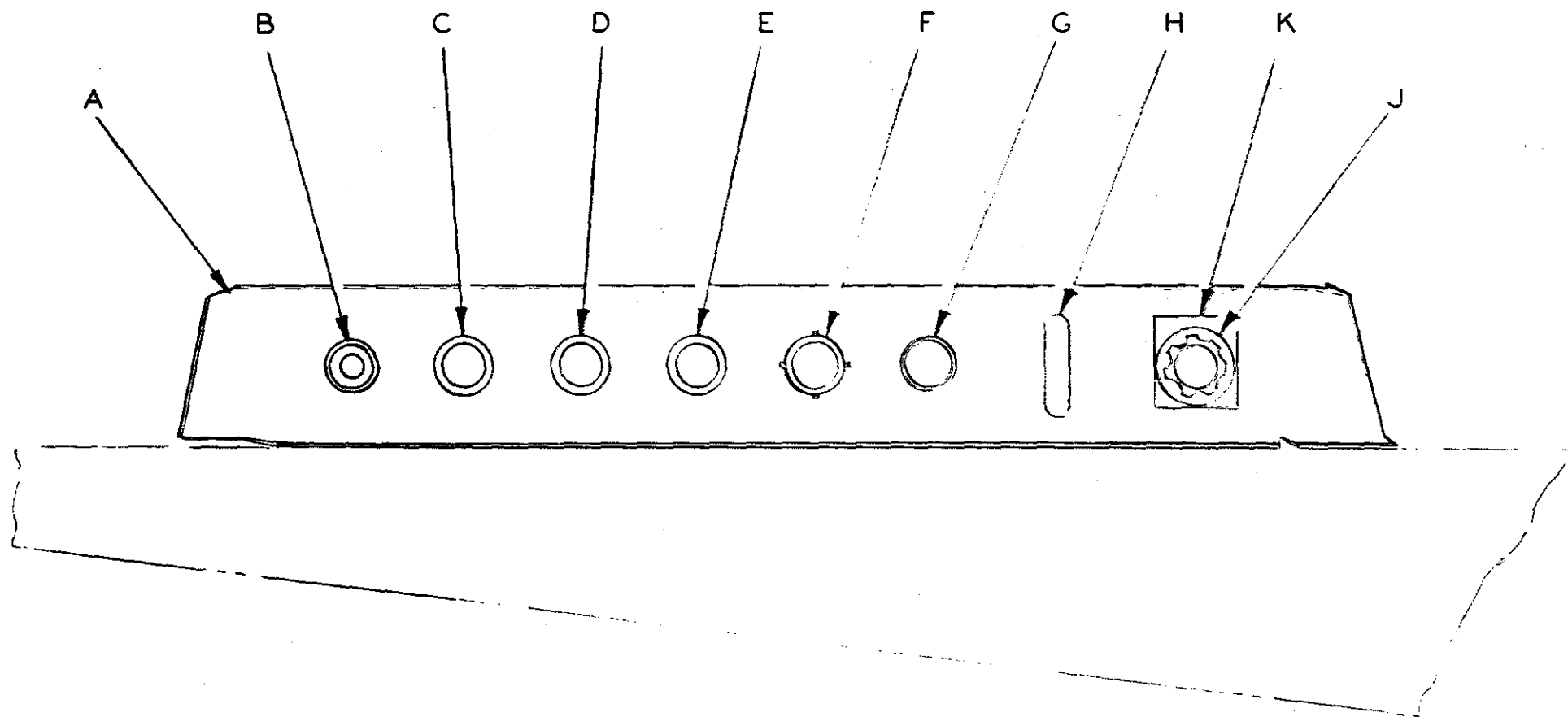
INSTRUMENT PANEL ASS'Y.



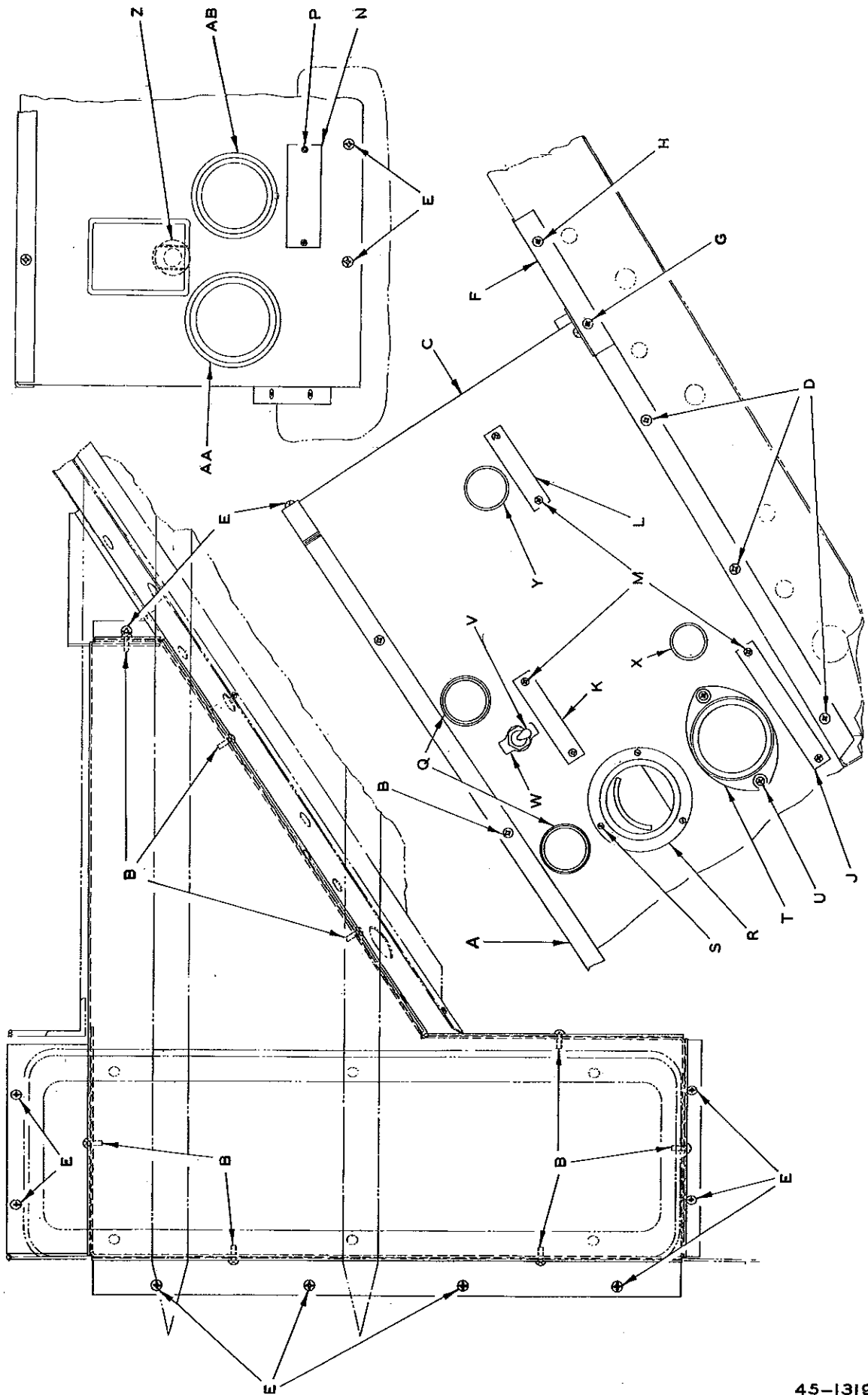
IK



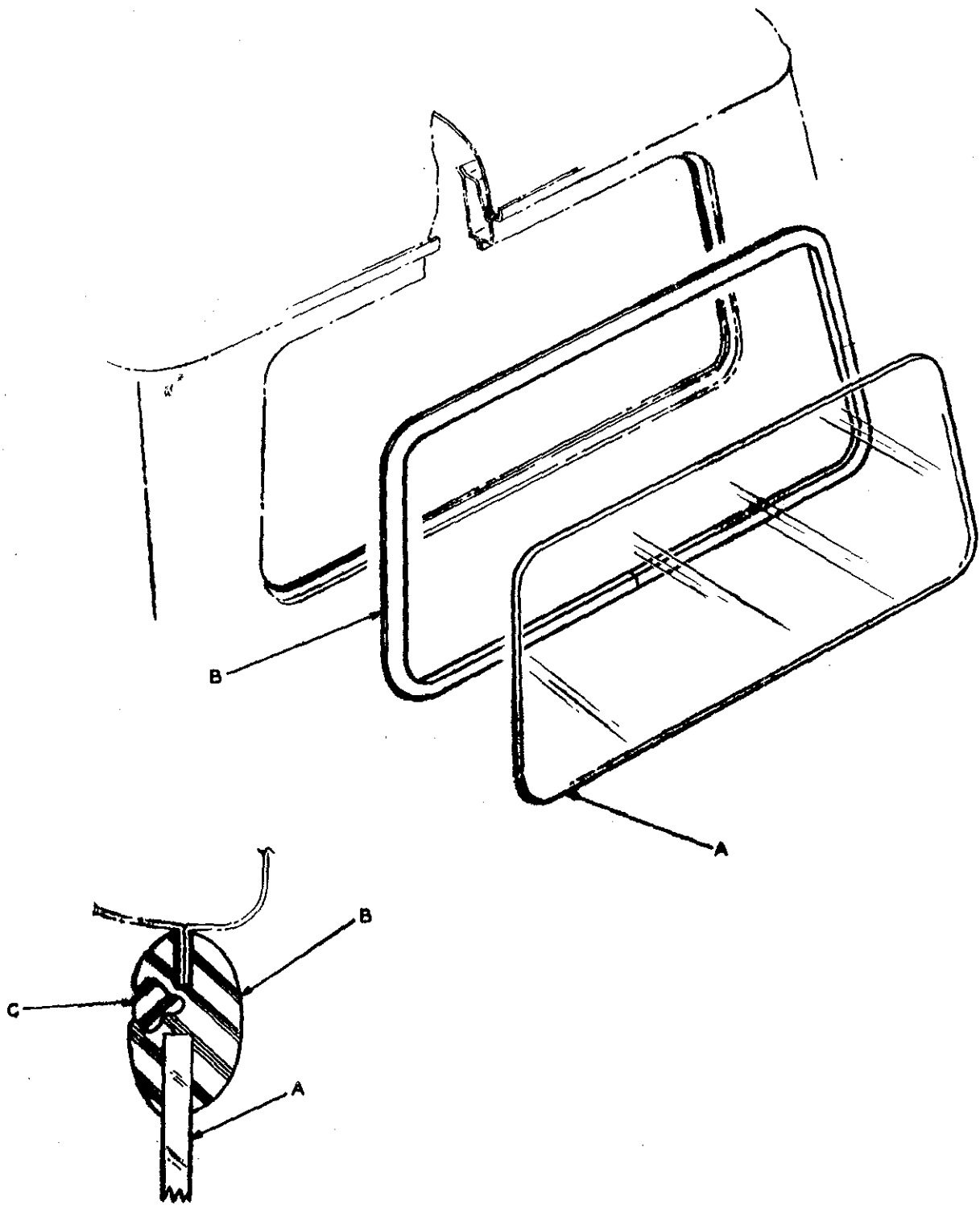
INSTRUMENT PANEL ASSEMBLY



INSTRUMENT PANEL ASSEMBLY

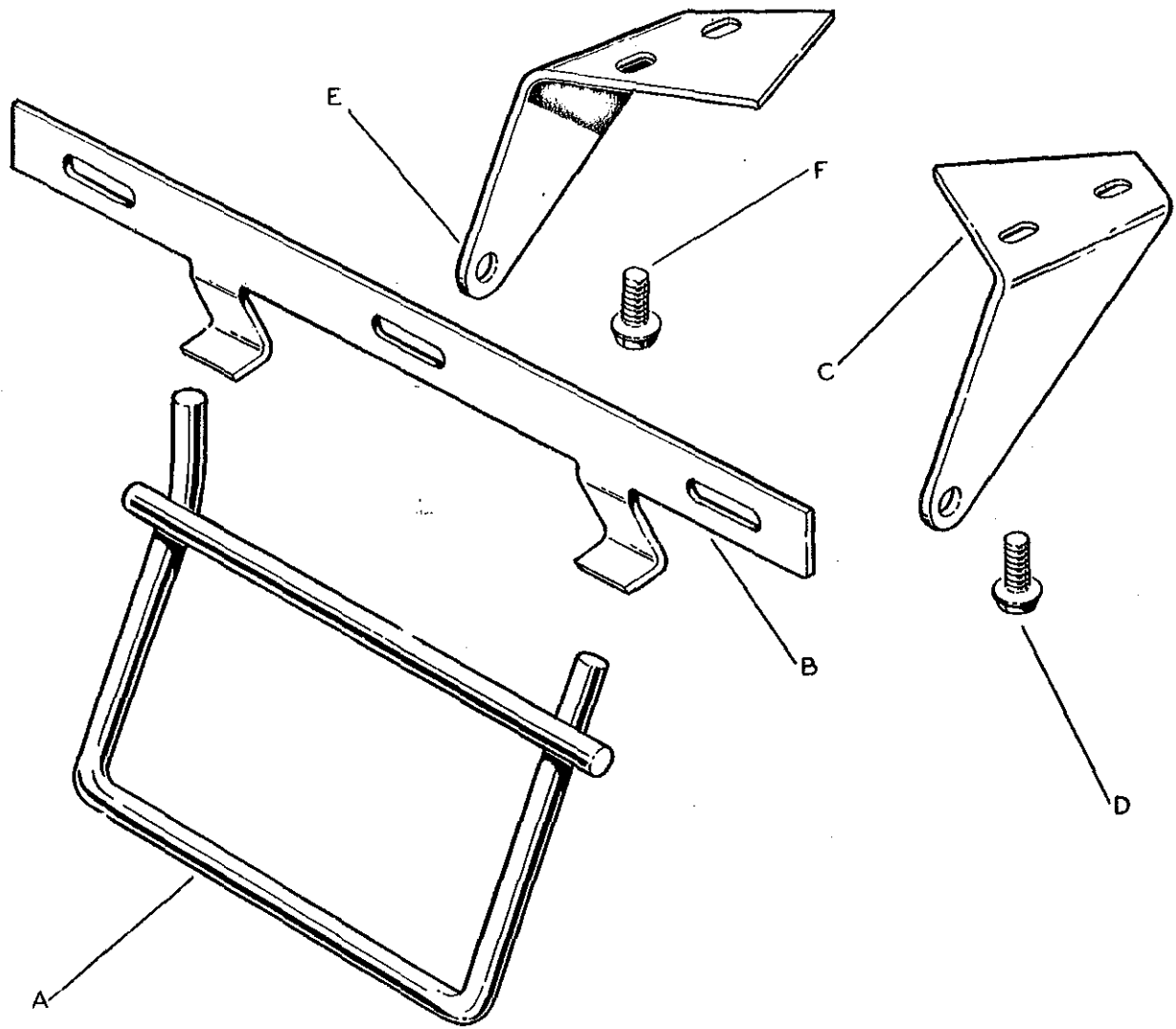


AUXILIARY CONTROL PANEL ARRANGEMENT



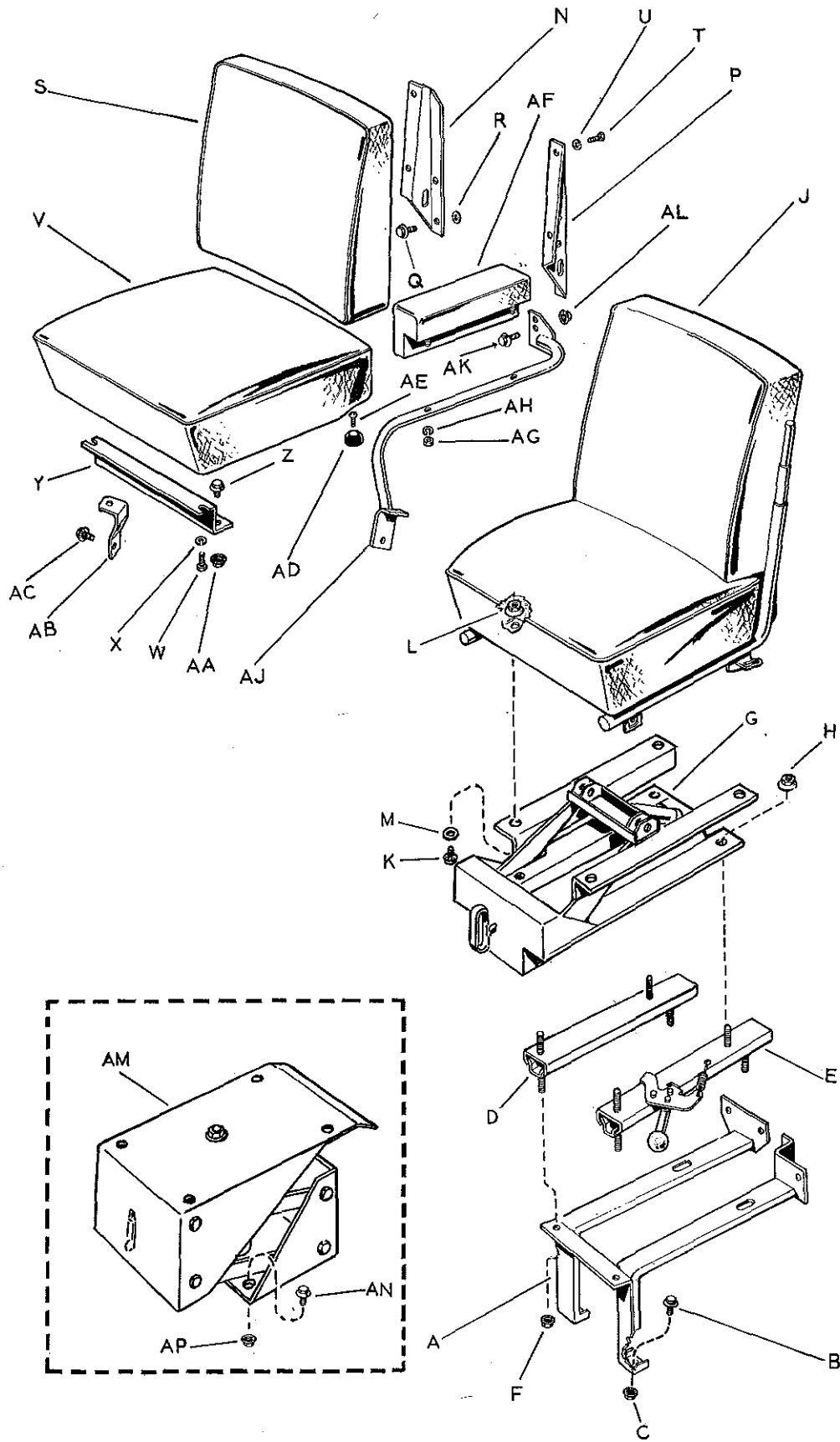
WINDOW ARRANGEMENT - CAB REAR

84-1719-5



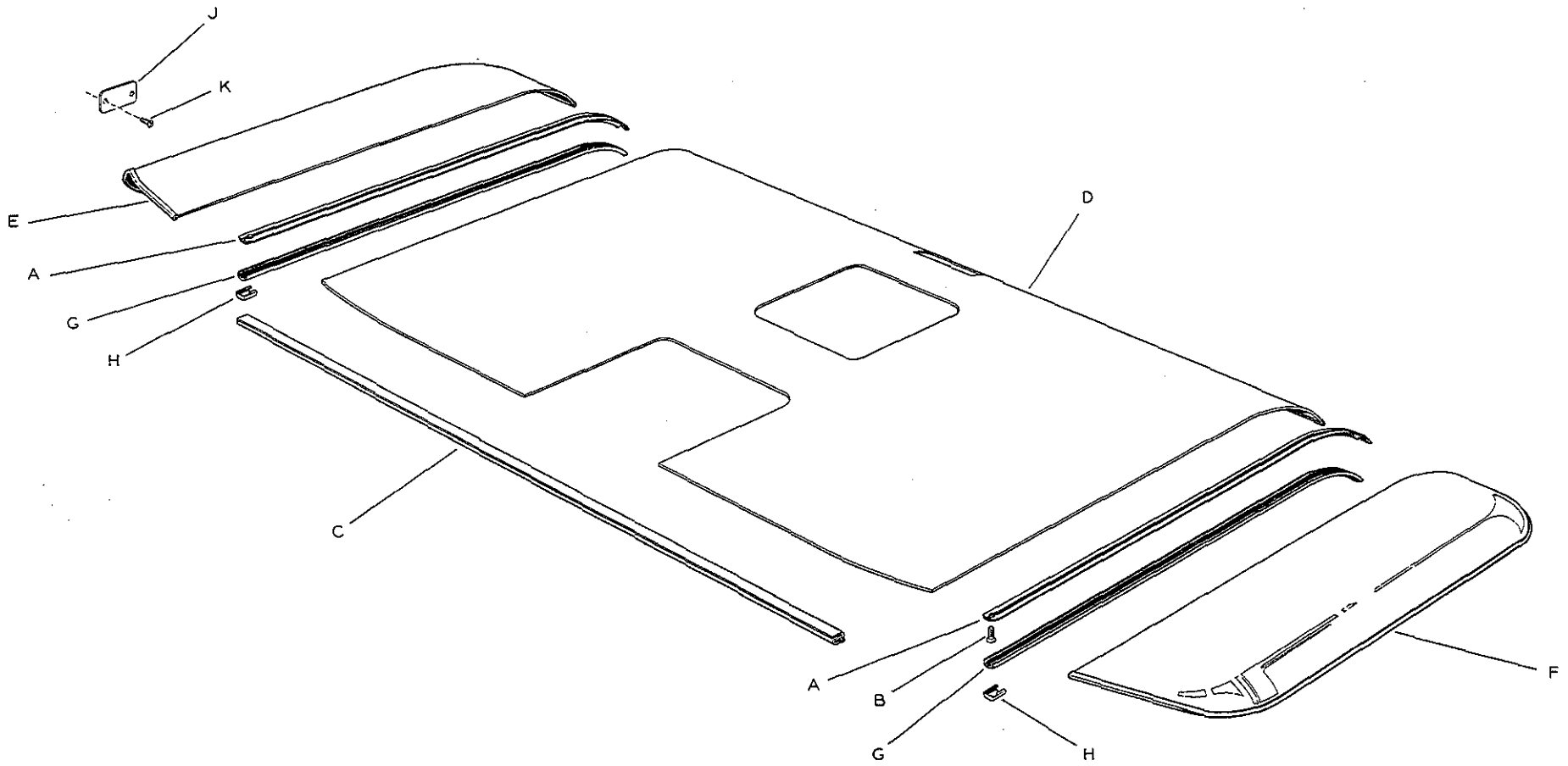
CAB INTERMEDIATE  
STEP MOUNTING ARRANGEMENT

85-1713-9



SEAT MOUNTING ARRANGEMENT

106-1719-28  
ISSUE 2



CAB ROOF TRIM PANEL MOUNTING ARRANGEMENT

LINE NO.	PART NUMBER	DESCRIPTION	NO. REQ.
		555 <u>SECTION 96A 12QMA</u> 556	
1	53QY 4103	PANEL, Rear Fender Support R.H.	1
2	53QY 4104	PANEL, Rear Fender Support L.H.	1
3	23QM 55	FENDER, Rear Semi-Trailer R.H.	1
4	23QM 56	FENDER, Rear Semi-Trailer L.H.	1
		Attaching Parts:	
5		SCREW, cap, 1/4-28 NF x 3/4 (Full thd.) (1AX 374)	6
6		SCREW, cap, 1/4-28 NF x 1-1/2 (3/4" thd.) (1AX 96)	6
7	21AX 441	NUT (1/4-28 NF)	12
8	37AX 471	WASHER, Plain	12





TITLE RUNNING BOARD MOUNTING ARRANGEMENT

ILLUSTRATION #12-1713-80.

KEY	PART NUMBER	DESCRIPTION	NO. REQ.
<u>SECTION 98A - 12QMA 557</u>			
A	32QM 185	SUPPORT,Running Board End	2
B	27AX 339	Attaching Parts: RIVET	6
C	30QM 2440	BOARD,Transverse Running	1
D	30QM 2442	BOARD, Running Front	1
E		Attaching Parts: SCREW, Machine Truss Phillips Hd. #10-32 NF x 7/8 (130AX1248)	6
E-1	27AX 362	RIVNUT (#10-32 NF)	6
E-2	35AX 243	WASHER, Lock	6
E-3		SCREW, Cap 1/4-28 NF x 7/8 (3/4" thd.)	3
E-4	21AX 441	NUT(1/4-28 NF)	3
E-5	37AX 471	WASHER, Plain	3
F	32QM 184	SUPPORT,Running Board	9
F-1	32QM 193	BRACKET,Running Board	1
F-2		Attaching Parts: SCREW, Machine Truss Phillips Hd. #10-32 NF x 7/8 (130AX1248)	9
F-3		SCREW, Machine Truss Phillips Hd. #10-32 NF x 1 (130AX1249)	9
F-4		SCREW, Machine Truss Phillips Hd. #10-32 NF x 1 -1/8 (130AX 1250)	3
F-5		SCREW, Machine Truss Phillips Hd. #10-32 NF x 1-1/4 (130AX 1251)	3
F-6	21AX 479	NUT (#10-32 NF)	15
F-7	27AX 360	RIVNUT (#10-32 NF)	9
F-8	35AX 243	WASHER, Lock	9
F-9	37AX 469	WASHER, Plain	15
G	30QM 2441	BOARD, Running, Intermediate Front	1
H	30QM 2438	BOARD, Running Intermediate Rear	1
J	30QM 2439	BOARD, Running End Rear	1
K		Attaching Parts: SCREW, Machine truss Phillips Hd. #10-32 NF x 7/8 (130AX 1248)	27
K-1	27AX 362	RIVNUT (#10-32 NF)	27
K-2	35AX 243	WASHER, Lock	27



TITLE STEP MOUNTING ARRANGEMENT

LINE NO.	PART NUMBER	DESCRIPTION	NO. REQ.
<u>SECTION 12A - 29QMA 440</u>			
1	48RU 1701	CLAMP, Cab Frame	2
2	32QM 2280	BRACKET, Step	1
		Attaching Parts:	
3		BOLT, Carriage rd. hd. 1/2-13 x 1-1/2 (11AX 202)	2
4	22AX 23	NUT (1/2-13 NC)	2
5		WASHER, Lock, 1/2 I.D.(36AX 5)	2
6	37AX 474	WASHER, Plain	2
7	85QM 286	STEP, Fuel Tank	1
8	85QM 285	STEP, Auxiliary Ladder	1
		Attaching Parts:	
9		SCREW, machine rd. Phillips hd. 1/4-28 NF x 1(130AX 833)	3
10	21AX 441	NUT (1/4-28 NF)	3
11		SCREW, machine rd. Phillips hd. 5/16-18 NC x1(130AX 273)	3
12	26AX 155	RIVNUT (5/16-18 NC)	3
13		WASHER, Lock, 5/16 I.D.(36AX 22)	3

# MACK TRUCK-TRACTOR PARTS BOOK

GROUP #15F - INSTRUMENT PANEL ASSEMBLY  
SECTION 107

NOTE: Key Letters Indicated on Illustration#36-1718-119.

KEY	PART NUMBER	DESCRIPTION	NO. REQ.
<u>SECTION 107A - 36QRA 4381P1</u>			
A		REINFORCEMENT, Engine Compartment Top (See Group 15AR)	
B	Omit	SWITCH, Window Lift Toggle	
B-1	Omit	EXTENSION, Toggle Switch	
C	Omit	NAMEPLATE, Window Lift Switch	
D		VALVE, Windshield Wiper (See Group 15P)	
E	1MR 3165P1	SWITCH, Marker Lamp Toggle	1
F	1MR 1259	EXTENSION, Toggle Switch	1
G	4MR 195	NAMEPLATE, Marker Lamp Toggle Switch	1
H	1MR 3165P2	SWITCH, Headlamp Toggle	1
J	1MR 1259	EXTENSION, Toggle Switch	1
K	4MR 196	NAMEPLATE, Headlamp Toggle Switch	1
L		VALVE, Parking Brake Control (See Group 10)	
M		VALVE, Air Starting Control (See Group 1P)	
N		VALVE, Front Wheel Limiting (See Group 10K)	
P		NAMEPLATE, Front Wheel Limiting Valve (See Group 10K)	
Q		VALVE, Tractor Protection (See Group 10K)	
R		NAMEPLATE, Tractor Protection Valve (See Group 10K)	
S		VALVE, Power Divider Lockout (See Group 10K)	
T		NAMEPLATE, Power Divider Lockout Valve (See Group 10K)	
U		VALVE, Reservoir Air Protection (See Group 1P)	
V		NAMEPLATE, Reservoir Air Protection (See Group 1P)	
<u>SECTION 107B - 36QRA 4381P2</u> Same as 36QRA 4381P1(Section 107A)Except			
B	1MR 1237	SWITCH, Window Lift Toggle	1
B-1	1MR 1259	EXTENSION, Toggle Switch	1
C	4MR 193	NAMEPLATE, Window Lift Toggle Switch	1
<u>SECTION 107C - 36QRA 2187</u> Same as 36QRA 4381P1(Section 107A)Except			
B	1MR 3165P1	SWITCH, Trailer Lights	1
B-1	1MR 1259	EXTENSION, Toggle Switch	1
C	4MR 1102	NAMEPLATE, Trailer Light Switch	1

KEY	PART NUMBER	DESCRIPTION	NO. REQ.
		<u>SECTION 107D - 36QRA 4406P1</u> Same as 36QRA 4381P1(Section 107A)Except	
A		REINFORCEMENT, Engine Compartment Top R.H. (See Group 15AR)	
A-1	27RU 1359AP1	PLATE, Engine Operating Caution	1
A-2		Attaching Parts: SCREW, tapping type A, rd. Phillips hd. #4-24 x 3/8 (131AX 78)	2
F	Omit		
J	Omit		
S	Omit		
T	Omit		
		<u>SECTION 107E - 36QRA 4406P2</u> Same as 36QRA 4381P1(Section 107A)Except (F Model R.H.Drive)	
A		REINFORCEMENT, Engine Compartment Top R.H. (See Group 15AR)	
A-1	27RU 1359AP1	PLATE, Engine Operating Caution	1
A-2		Attaching Parts: SCREW, tapping type A, rd. Phillips hd. #4-24 x3/8(131AX 78)	2
F	Omit		
J	Omit		
S	Omit		
T	Omit		
		<u>SECTION 107F - 36QRA 2242</u> Same as 36QRA 4381P1(Section 107A)	
		NO PART NUMBER CHANGES.	

# MACK TRUCK-TRACTOR PARTS BOOK

GROUP #15F - INSTRUMENT PANEL ASSEMBLY  
SECTION 108

NOTE: Key Letters Indicated on Illustration #36-1718-120.

KEY	PART NUMBER	DESCRIPTION	NO. REQ.
<u>SECTION 108A - 36QRA 4382P1</u>			
A		PANEL, Instrument (See Group 15AR)	1
B	8MTA 3149P1	PANEL ASSEMBLY, Gauge (See Group 15AC, Section 78)	1
C	24QR 53	HOUSING, Gauge Panel (Removable)	1
D		Attaching Parts: SCREW, machine, Truss, Phillips hd. #10-24 NC x 3/4 (130AX 1234)	1
D-1	155AX 25	NUT, Speed, #10-24 NC	1
E		SCREW, machine, truss Phillips hd. #10-24 NC x 2 (130AX 1241)	1
E-1	155AX 25	NUT, Speed #10-24 NC	1
F		SCREW, machine truss Phillips hd. #10-24 NC x 1-1/2 (130AX 1239)	2
F-1	155AX 25	NUT, Speed #10-24 NC	2
G	24QRA 366P1	PANEL ASSEMBLY, Auxiliary Gauges (Removable) (See Group 15AC, Section 79)	1
H		Attaching Parts: SCREW, machine, oval Phillips hd. #8-32 NC x 1/2 (130AX 329)	6
H-1	155AX 12	NUT, Speed #8-32 NC	6
J	1MR 3172P1	SWITCH, Combination Ignition & Starter	1
K	27RU 1359AP1	PLATE, Ignition & Starter Switch Instruction	1
L		Attaching Parts: SCREW, Tapping, Type A, rd. Phillips hd. #4-24 x 3/8 (131AX 76)	2
<u>SECTION 108B - 36QRA 4382P2</u> Same as 36QRA 4382P1 (Section 108A) Except			
K	27RU 1359AP2	PLATE, Ignition & Starter Switch Instruction	1
<u>SECTION 108C - 36QRA 4382P3</u> Same as 36QRA 4382P1 (Section 108A) Except			
K	27RU 1359AP4	PLATE, Ignition & Starter Switch Instruction	1
<u>SECTION 108D - 36QRA 4382P4</u> Same as 36QRA 4382P1 (Section 108A) Except			
B	8MTA 3149P2	PANEL ASSEMBLY, Gauge (See Group 15AC, Section 78)	1
K	Omit		
L	Omit		

9/5/62 mes-jr

PAGE #15F-108-1

MACK CHASSIS NUMBER must always be given with PART NUMBER when ordering.

# MACK TRUCK-TRACTOR PARTS BOOK

GROUP #15F - INSTRUMENT PANEL ASSEMBLY  
SECTION 108 (Continued)

KEY	PART NUMBER	DESCRIPTION	NO. REQ.
		<u>SECTION 108E - 36QRA 4382P5</u> Same as 36QRA 4382P1(Section 108A)Except	
G	24QRA 370	PANEL ASSEMBLY, Instrument Gauge Panel (Removable) (See Group 15AC, Section 80)	1
		<u>SECTION 108F - 36QRA 4382P6</u> Same as 36QRA 4382P1(Section 108A)Except	
G	24QRA 370	PANEL ASSEMBLY, Instrument Gauge Panel Removable (See Group 15AC, Section 80)	1
K	27RU 1359AP2	PLATE, Ignition & Starter Switch Instruction	1
		<u>SECTION 108G - 36QRA 4382P7</u> Same as 36QRA 4382P1(Section 108A)Except	
G	24QRA 370	PANEL ASSEMBLY, Instrument Gauge Panel Removable (See Group 15AC, Section 80)	1
K	27RU 1359AP4	PLATE, Ignition & Starter Switch Instruction	1
		<u>SECTION 108H - 36QRA 4382P8</u> Same as 36QRA 4382P1(Section 108A)Except	
B	8MTA 3149P3	PANEL ASSEMBLY, Gauge (See Group 15AC, Section 78)	1
K	Omit		
L	Omit		
		<u>SECTION 108J - 36QRA 4397P1</u> Same as 36QRA 4382P1(Section 108A)Except	
B	8MTA 3179P1	PANEL ASSEMBLY, Gauge (See Group 15AC, Section 78)	1
G	24QRA 370P1	PANEL ASSEMBLY, Auxiliary Gauges (Removable) (See Group 15AC, Section 80)	1
		<u>SECTION 108K - 36QRA 4397P2</u> Same as 36QRA 4382P1(Section 108A)Except	
B	8MTA 3179P1	PANEL ASSEMBLY, Gauge (See Group 15AC, Section 78)	1

# MACK TRUCK-TRACTOR PARTS BOOK

GROUP #15F - INSTRUMENT PANEL ASSEMBLY  
SECTION 112

NOTE: Key Letters Indicated on Illustration #36-1718-121.

KEY	PART NUMBER	DESCRIPTION	NO. REQ.
<u>SECTION 112A - 36QRA 3257P1</u>			
A	45MS 51	PANEL, Auxiliary Control	1
B	41RD 110	LIGHTER, Cigar (Pop-Out Unit, 12 V.)	1
B-1	41RD 111	LIGHTER, Cigar (Housing Assembly)	1
Attaching Parts:			
B-2	35AX 1243	WASHER, Lock	1
C	21QB 114P8	CONTROL, Throttle	1
D	49AX 33	PLUG, Emergency Stop Control Hole	1
E	49AX 33	PLUG, Engine Stop Control Hole	1
F		SWITCH, Heater Control (See Group 15R)	1
Attaching Parts:			
F-1	35AX 326	WASHER, Lock	2
G		SWITCH, Defroster Control	1
H		CONTROL, Heater-Fresh Air (See Group 15R)	1
J	2MS 142	RHEOSTAT, Dash Panel	1
K	4MR 1113	PLATE, Rheostat Name	1
Attaching Parts:			
K-1		SCREW, machine rd. Phillips hd. #2-56 NC x 3/8 (130AX 154)	2
K-2		NUT, hex. steel #2-56 NC (53AX 16)	2
K-3	35AX 1188	WASHER, Lock	2
<u>SECTION 112B - 36QRA 3257P2</u>			
Same as 36QRA 3257P1 (Section 112A) Except			
D	21QB 124P4	CONTROL, Emergency Engine Stop	1
E	21QB 115P5	CONTROL, Engine Stop	1
<u>SECTION 112C - 36QRA 3257P3</u>			
Same as 36QRA 3257P1 (Section 112A) Except			
D	21QB 36P10	CONTROL, Choke	1
<u>SECTION 112D - 36QRA 3258</u>			
Same as 36QRA 3257P1 (Section 112A) Except			
D	36MO 121 *	LAMP, Pre-Heat Indicator	1
E	1MR 1174 *	SWITCH, Glow Plug Pre-Heater	1
*Furnished by Cummins.			

9/29/64 gb-mes

PAGE #15F-112-1

MACK CHASSIS NUMBER must always be given with PART NUMBER when ordering.

KEY	PART NUMBER	DESCRIPTION	NO. REQ.	
<u>SECTION 112E - 36QRA 3261</u> Same as 36QRA 3275P1(Section 112A)Except				
A	45MS 56P1	PANEL, Auxiliary Control (R.H.Drive)	1	
D	21QB 115P5	CONTROL, Engine Stop	1	
E Thru H	Omit			
<u>SECTION 112F - 36QRA 3257P4</u> Same as 36QRA 3257P1(Section 112A)Except				
E		21QB 115P5	CONTROL, Engine Stop	1
<u>SECTION 112G - 36QRA 3260</u> Same as 36QRA 3257P1(Section 112A)Except				
D	21QB 115P5	CONTROL, Engine Stop	1	
E		CONTROL, Heater Fresh Air (See Group 15R)		
H	21QB 124P4	CONTROL, Engine Emergency Stop	1	
<u>SECTION 112H - 36QRA 3264P1(W/O Glow Plug)</u> Same as 36QRA 3257P1(Section 112A)Except				
A	45MS 58	PANEL, Auxiliary Control	1	
D	49AX 33	PLUG, Engine Stop Control Hole	1	
E	49AX 33	PLUG, Emergency Stop Control Hole	1	
F-1 K-4	Omit	CONTROL, Heater Water (See Group 15R)	1	
<u>SECTION 112J - 36QRA 3264P2(With Emergency Eng.Stop)</u> Same as 36QRA 3257P1(Section 112A)Except				
A	45MS 58	PANEL, Auxiliary Control	1	
D	21QB 115P5	CONTROL, Engine Stop	1	
E	21QB 124P4	CONTROL, Emergency Engine Stop	1	
F-1 K-4	Omit	CONTROL, Heater Water (See Group 15R)	1	
<u>SECTION 112K - 36QRA 3264P3(Gas Engine)</u> Same as 36QRA 3257P1(Section 112A)Except				
A	45MS 58	PANEL, Auxiliary Control	1	
D	21QB 36P10	CONTROL, Choke	1	
E	49AX 33	PLUG, Emergency Stop Control Hole	1	
F-1 K-4	Omit	CONTROL, Heater Water (See Group 15R)	1	
<u>SECTION 112L - 36QRA 3264P4(W/O Emerg.Eng.Stop)</u> Same as 36QRA 3257P1(Section 112A)Except				
A	45MS 58	PANEL, Auxiliary Control	1	
D	21QB 115P5	CONTROL, Engine Stop	1	
E	49AX 33	PLUG, Emergency Stop Control Hole	1	
F-1 K-4	Omit	CONTROL, Heater Water	1	



Illustration #4-1719-37.

KEY	PART NUMBER	DESCRIPTION	NO. REQ.
		<u>SECTION 34A - 4QSA 362</u>	
A	66QY 46	BRACKET, Cab Rear Lock	1
		Attaching Parts:	
B	3AX 1327	SCREW	2
C		WASHER, Lock, 1/2 I.D.(36AX 5)	2
D	37AX 474	WASHER, Flat	2
E		SCREW, cap, 1/2-20 NF x 1-1/2 (1-1/4"thd.)(1AX 60)	3
F		WASHER, Lock, 1/2 I.D.(36AX 5)	3
G	37AX 474	WASHER, Flat	3
H		SCREW, cap, 3/8-16 NC x 1 (Full thd.)(4AX 1)	4
J		WASHER, Lock, 3/8 I.D. (36AX 3)	4
K	37AX 472	WASHER, Flat	4
L	57QL 176	SPRING, Cab Rear Hook	1
		Attaching Parts:	
M		SCREW, cap, 1/2-20 NF x 1-3/4 (1-1/4"thd.)(1AX 108)	1
N		WASHER, Lock, 1/2 I.D.(36AX 5)	1
P	37AX 474	WASHER, Flat	1
Q	44AX 76	COVER, Oil Hole	2
R	61RU 211A	HOOK, Cab Rear Lock	1
S	44AX 136	FITTING, Grease	1
T	12QD 1178B	BUSHING, Cab Rear Lock Hook Eccentric	1
U	12QD 1177	BUSHING, Cab Rear Lock Hook Shaft	2
V	65RU 1295	SHAFT, Cab Rear Lock Hook	1
		Attaching Parts:	
W	35AX 1377	WASHER, Spacer	1
X		COTTER PIN, s tl. 1/8 x 1-1/4"L. (29AX 13)	2

**MACK TRUCK-TRACTOR PARTS BOOK**  
**TITLE CAB MOUNTING ARRANGEMENT(PARTIAL)**

**GROUP 15J SECTION 35**

Illustration #4-1719-39.

KEY	PART NUMBER	DESCRIPTION	NO. REQ.
		<u>SECTION 35A - 4QSA 541</u>	
A	66QY 51	BRACKET, Cab Rear Lock	1
		Attaching Parts:	
B		SCREW, cap, 1/2-20 NF x 1-1/2 (1-1/4"thd.)(1AX 60)	6
C		WASHER, Lock, 1/2 I.D.(36AX 5)	6
D		SCREW, cap, 3/8-16 NC x 1 (Full thd.)(4AX 1)	4
E		WASHER, Lock, 3/8 I.D.(36AX 3)	4
F	37AX 474	WASHER, Flat	4
G	10MO 149	SEAL, Cab Locking Hook	1
H	44RU 11015	SPACER, Cab Locking Hook	1
J	61RU 32	HOOK, Cab Safety Lock	1
K		PIN, Clevis .373/.368 x 1-9/16 Cab Safety Hook (33AX 81)	1
		Attaching Parts:	
L	37AX 474	WASHER, Flat	1
M		COTTER PIN, stl. 3/32 x 7/8 (29AX 2)	1
N	61RU 33	HOOK, Rear Cab Lock	1
P	57QL 190	SPRING, Cab Hook Return	1
Q	21RX 28	GUIDE COMPLETE, Cab Rear Lock Cable	1
		Attaching Parts:	
R		SCREW, tapping type B, rd. Phillips hd. 1/4-14 x 3/4 (133AX 136)	4
S	27RC 221	CABLE, Cab Lock Release Control	1
		<u>SECTION 35B - 4QSA 150</u> Same as 4QSA 541(Section 35A)Except	
Q	21RX 28	GUIDE COMPLETE, Cab Rear Lock Cable	1
R	Omit		

Illustration #4-1719-32 & 40.

KEY	PART NUMBER	DESCRIPTION	NO. REQ.
<u>SECTION 36A - 4Q8A 542P1</u>			
A	97AX 118	RING, Torsion Bar Retaining Snap	2
B	13RU 354A	LEVER, Torsion Bar Adjusting R.H.	1
C	7AX 246	Attaching Parts: SCREW (3/8-24)	1
D		NUT, hex. jam 3/8-24 NF x 7/32 thick (21AX 151)	1
E	6AX 1172	SCREW, Torsion Bar Lever Adjusting	2
F	Not Used		
G	12QD 235	SLEEVE, Cab Front Mount Pivot	2
H	7AX 246	Attaching Parts: SCREW, 3/8-24	2
J		NUT, hex. jam 3/8-24 NF x 7/32 thick (21AX 151)	2
K	77QS 472	BRACKET, Cab Front Mounting R.H.	1
L	1RY 220P3	BAR, Torsion	2
M	1RY 216P1	TUBE, Torsion Bar	1
N	77QS 473	BRACKET, Cab Front Mounting L.H.	1
P	44AX 136	FITTING, Cab Pivot Sleeve Lubrication	4
Q	13RU 355B	LEVER, Torsion Bar Adjusting L.H.	1
R	7AX 246	Attaching Parts: SCREW (3/8-24)	1
S		NUT, hex. jam 3/8-24 NF x 7/32 thick (21AX 151)	1
T	77QS 485	BRACKET COMPLETE, Cab Front Mounting R.H.	1
U	19QS 238	Includes: POST COMPLETE, Cab Front Mounting R.H.	1
V	72RU 2387	Includes: PLATE, Front Mounting Post Cover	1
W	7RU 2964	CHANNEL COMPLETE, Cab Front Mounting Post Attaching	1
X	73RU 21451	ANGLE COMPLETE, Heater Piping Support	1
Y	77QS 294	BRACKET, Cab Retaining Arm Upper	1
Z		Attaching Parts: SCREW, cap, 5/8-18 NF x 2-1/4 (1-1/2"thd.)(1AX 97)	3
AA	21AX 360	NUT (5/8-18)	3
AB	35AX 1367	WASHER	6
AC	73RU 452	GUSSET, Cab Floor & Post Reinforcement R.H.	1
AD	103AX 87	Attaching Parts: SCREW, Tensile Lock	2
AE	Not Used		
AF	77QS 474	BRACKET COMPLETE, Cab Front Mounting L.H.	1
AG	19QS 239	Includes: POST COMPLETE, Cab Front Mounting Post	1
AH	72RU 2411	Includes: PLATE COMPLETE, Cab Front Mounting Post	1
AJ	7RU 2964	CHANNEL COMPLETE, Cab Front Mounting Post Attaching	1
AK	31AX 564	SHAFT, Accelerator Idler Shaft	1
AL		Attaching Parts: SCREW, cap, 5/8-18 NF x 2-1/4 (1-1/2"thd.)(1AX 97)	3
AM	21AX 360	NUT (5/8-18)	3
AN	35AX 1367	WASHER	3
AP	73RU 453	GUSSET, Cab Floor & Post Reinforcement L.H.	1
AQ	103AX 87	Attaching Parts: SCREW, Tensile Lock	2
AR	Not Used		
AS		SCREW, cap, 1/2-20 NF x 1 (Full thd.) Cab Mounting (1AX 129)	4
AT		Attaching Parts: WASHER, Lock, 1/2 I.D.(36AX 5)	4
AU	103AX 87	SCREW, Tensile Lock Cab Floor Reinforcement	12
AV	21AX 762	Attaching Parts: NUT	10
AW	103AX 87	SCREW, Tensile Lock Cab Floor Reinforcement	4
AX	21AX 762	Attaching Parts: NUT	4
AY	Not Used		

KEY	PART NUMBER	DESCRIPTION	NO. REQ.
SECTION 36A - 4QSA 542Pl.(Cont.)			
AZ Thru BU	Not Used		
BV	33RU 1266	SEAL, Cab Lift Retaining Cylinder	1
BW	65RU 1320	SHAFT COMPLETE, Cab Lift Retaining	1
EX	57QL 182	SPRING, Cab Lift Retaining Cylinder	1
BY	97RU 117	CYLINDER COMPLETE, Cab Lift Retaining	1
BZ		Attaching Parts:	
CA	21AX 475	SCREW, cap, 1/2-20 NF x 2-3/4 (1-1/4"thd.)(1AX 46)	1
CB	55RU 1163A	NUT, Lock	1
		END, Cab Lift Retaining Shaft	1
CC		Attaching Part:	
CD	58AX 233	NUT, hex. jam 5/8-18 NF x 3/8 thick (21AX 24)	1
CE	87QS 356	SPRING, Cab Lift Retaining Cylinder Support	1
		SUPPORT COMPLETE, Cab Lift Retaining Cylinder	1
CF		Attaching Parts:	
CG	21AX 475	SCREW, cap, 1/2-20 NF x 2-3/4 (1-1/4"thd.)(1AX 46)	1
DA	87QS 368	NUT, Lock	1
		SUPPORT COMPLETE, Cab Rear Center	1
DB	76RU 1136	Includes:	
DC	75RU 1102	ROD, Safety Hook Anchor	1
		ROD, Cab Lock Anchor	1
DD		Attaching Parts:	
DE		SCREW, cap, 1/2-13 NC x 1-1/2 (1"thd.)(4AX 25)	6
DF		NUT, hex. 1/2-13 NC (22AX 23)	4
DJ	71RU 381P2	WASHER, Lock, 5/8 I.D.(36AX 5)	6
DK	71RU 381P1	BRACE COMPLETE, Rear Cab Support (R.H.)	1
		BRACE COMPLETE, Rear Cab Support (L.H.)	1
DL	68RU 186	Each Includes:	
		NUT, Cab Rear Support Brace	1
DM		Attaching Parts:	
DN		SCREW, cap, 5/8-18 NF x 1-3/4 (1-1/2"thd.)(1AX 50)	1
DP		NUT, hex. 5/8-18 NF (20AX 7)	1
DQ	35RC 178	WASHER, Lock, 5/8 I.D.(36AX 7)	1
		BUMPER ASSEMBLY, Cab Mounting Rear	2
DR		Attaching Parts:	
DS	5RG 373	NUT, hex. jam 3/8-24 NF x 7/32 thick (21AX 151)	2
		LEVER, Cab Lock	1
		(For Components, see back of Group)	
DT	3AX 1687	Attaching Parts:	
DU	21AX 475	SCREW	2
DV		NUT, Lock	2
		PIN, Clevis, .373/.368 x 1-3/8 Cab Lock Lever (33AX 55)	1
DW	37AX 320	Attaching Parts:	
DX		WASHER, Flat	1
DY	83AX 674	COTTER PIN, stl. 3/32 x 7/8(29AX 2)	1
DZ	243AX 1FT50	CLAMP, Cab Locking Hook Cable Loop	1
EA	71RU 2532	HOSE, Cab Locking Hook Cable Loop(50' Bulk-Item 8"Req.)	1
EB	87QS 439	BRACKET, Rear Cab Support Brace	1
		SUPPORT COMPLETE, Cab Rear (L.H.)	1
EC	72RU 2506	Includes:	
		PLATE COMPLETE, Cab Rear Support Center Section Mounting (L.H.)	1
ED		Attaching Parts:	
EE	21AX 440	SCREW, cap, 3/4-16 NF x 2 (1-3/4"thd.)(1AX 268)	2
EF	37AX 440	NUT, Lock	2
EG	87QS 438	WASHER, Flat	2
		SUPPORT COMPLETE, Cab Rear (R.H.)	1
EH	71RU 2531	Includes:	
		PLATE, Cab Rear Support Center Section Mounting (R.H.)	1
EJ		Attaching Parts:	
EK	21AX 440	SCREW, cap, 3/4-16 NF x 2 (1-3/4"thd.)(1AX 268)	4
EL	37AX 42	NUT, Lock	4
		WASHER, Flat	4

KEY	PART NUMBER	DESCRIPTION	NO. REQ.
		<u>SECTION 36A - 4QSA 542P1(Cont.)</u>	
EM	55RU 1173	END, Cab Rear Brace Rod	2
EN		Attaching Parts:	
EP		SCREW, cap, 5/8-11 NC x 2-1/2 (1-1/2"thd.)(4AX 75)	2
EQ		NUT, hex. 5/8-11 NC (22AX 25)	2
ER	21AX 220	WASHER, Lock, 5/8 I.D.(36AX 7)	2
		NUT, Jam	2
		<u>SECTION 36B - 4QSA 542P2</u> Same as 4QSA 542P1(Section 36A)	
		NO PART NUMBER CHANGES.	
		<u>SECTION 36B - 4QSA 542P3</u> Same as 4QSA 542P1(Section 36A)Except	
L	1RY 220P2	BAR, Torsion	1
BX	33RU 1265P3	SPACER, Cab Lift Retaining Cylinder	1
		<u>SECTION 36D - 4QSA 542P4</u> Same as 4QSA 542P1(Section 36A)Except	
L	1RY 220P2	BAR, Torsion	1
BX	33RU 1265P3	SPACER, Cab Lift Retaining Cylinder	1
		<u>SECTION 36E - 4QSA 543P1</u> Same as 4QSA 542P1(Section 36A)Except	
EG	87QS 436	SUPPORT COMPLETE, Cab Rear R.H.	1
		<u>SECTION 36F - 4QSA 543P2</u> Same as 4QSA 542P1(Section 36A)Except	
L	1RY 220P2	BAR, Torsion	1
BX	33RU 1265P3	SPACER, Cab Lift Retaining Cylinder	1
EG	87QS 436	SUPPORT COMPLETE, Cab Rear R.H.	1
		<u>SECTION 36G - 4QSA 543P3</u> Same as 4QSA 542P1(Section 36A)Except	
L	1RY 220P2	BAR, Torsion	1
BX	33RU 1265P3	SPACER, Cab Lift Retaining Cylinder	1
EG	87QS 436	SUPPORT COMPLETE, Cab Rear R.H.	1
		<u>SECTION 36H - 4QSA 544P1</u> Same as 4QSA 542P1(Section 36A)Except	
DJ	71RU 381P1	BRACE COMPLETE, Rear Cab Support (R.H.)	1
EA	Omit		
		<u>SECTION 36J - 4QSA 544P2</u> Same as 4QSA 542P1(Section 36A)Except	
L	1RY 220P2	BAR, Torsion	1
BX	33RU 1265P3	SPACER, Cab Lift Retaining Cylinder	1
DJ	71RU 381P1	BRACE COMPLETE, Rear Cab Support (R.H.)	1
EA	Omit		
		<u>SECTION 36K - 4QSA 544P3</u> Same as 4QSA 542P1(Section 36A)Except	
DJ	71RU 381P1	BRACE COMPLETE, Rear Cab Support (R.H.)	1
EA	Omit		

4/30/64

gb-mes

KEY	PART NUMBER	DESCRIPTION	NO. REQ.
		<u>SECTION 36L - 4QSA 544P4</u> Same as 4QSA 542P1(Section 36A)Except	
L	1RY 220P2	BAR, Torsion	1
BX	33RU 1265P3	SPACER, Cab Lift Retaining Cylinder	1
DJ	71RU 381P1	BRACE COMPLETE, Rear Cab Support (R.H.)	1
EA	Omit		
		<u>SECTION 36M - 4QSA 545P1</u> Same as 4QSA 542P1(Section 36A)Except	
DJ	71RU 381P1	BRACE COMPLETE, Rear Cab Support (R.H.)	1
EA	Omit		
EB	87QS 437	SUPPORT COMPLETE, Cab Rear (L.H.)	1
EG	87QS 436	SUPPORT COMPLETE, Cab Rear (R.H.)	1
		<u>SECTION 36N - 4QSA 545P2</u> Same as 4QSA 542P1(Section 36A)Except	
L	1RY 220P2	BAR, Torsion	1
BX	33RU 1265P3	SPACER, Cab Lift Retaining Cylinder	1
DJ	71RU 381P1	BRACE COMPLETE, Rear Cab Support (R.H.)	1
EA	Omit		
EB	87QS 437	SUPPORT COMPLETE, Cab Rear (L.H.)	1
EG	87QS 436	SUPPORT COMPLETE, Cab Rear (R.H.)	1
		<u>SECTION 36P - 4QSA 545P3</u> Same as 4QSA 542P1(Section 36A)Except	
DJ	71RU 381P1	BRACE COMPLETE, Rear Cab Support (R.H.)	1
EA	Omit		
EB	87QS 437	SUPPORT COMPLETE, Cab Rear (L.H.)	1
EG	87QS 436	SUPPORT COMPLETE, Cab Rear (R.H.)	1
		<u>SECTION 36Q - 4QSA 545P4</u> Same as 4QSA 542P1(Section 36A)Except	
L	1RY 220P2	BAR, Torsion	1
BX	33RU 1265P3	SPACER, Cab Lift Retaining Cylinder	1
DJ	71RU 381P1	BRACE COMPLETE, Rear Cab Support (R.H.)	1
EA	Omit		
EB	87QS 437	SUPPORT COMPLETE, Cab Rear (L.H.)	1
EG	87QS 436	SUPPORT COMPLETE, Cab Rear (R.H.)	1
		<u>SECTION 36R - 4QSA 151</u> Same as 4QSA 542P1(Section 36A)Except	
DJ	71RU 381P1	BRACE COMPLETE, Rear Cab Support (R.H.)	1
EA	Omit		
EG	87QS 440	SUPPORT COMPLETE, Cab Rear (R.H.)	1
		<u>SECTION 36S - 4QSA 152</u> Same as 4QSA 542P1(Section 36A)Except	
L	1RY 220P2	BAR, Torsion	1
BX	33RU 1265P3	SPACER, Cab Lift Retaining Cylinder	1
DJ	71RU 381P1	BRACE COMPLETE, Cab Rear Support (R.H.)	1
EA	Omit		
EB	87QS 437	SUPPORT COMPLETE, Cab Rear (L.H.)	1
EC	87QS 440	SUPPORT COMPLETE, Cab Rear (R.H.)	1
		<u>SECTION 36T - 4QSA 153</u> Same as 4QSA 542P1(Section 36A)Except	
L	1RY 220P2	BAR, Torsion	1
BX	33RU 1265P3	SPACER, Cab Lift Retaining Cylinder	1

# MACK TRUCK-TRACTOR PARTS BOOK

GROUP #15K - SPLASH APRON MOUNTING ARRANGEMENT  
SECTION 6

NOTE: Key Letters Indicated on Illustration #33-1713-3.

KEY	PART NUMBER	DESCRIPTION	NO. REQ.
<u>SECTION 6A - 33QMA 538P1</u>			
A	117QM 46	SHIELD COMPLETE, Front Splash L.H.	1
B	237AX 438	Attaching Parts: FASTENER, Screw, Front Splash	3
B-1	237AX 440	Attaching Parts: FASTENER, Washer Front Splash Screw	3
C	237AX 437	FASTENER, Nut Front Splash	3
D	72RU 46A	BRACKET, Splash Shield L.H. Lower Mounting	1
E		Attaching Parts: SCREW, tapping type A, Pan Phillips hd. #14 x 1/2 (131AX 244)	3
E-1	155AX 16	NUT, Speed #8A	3
F	274AX 2	RUBBER, 33/64 x 2"L.	2
G	117QM 246	SHIELD, Side Splash L.H.	1
H	73AX 64A	Attaching Parts: FASTENER, Metal Grommet	1
J	73RU 3375	BRACKET, Side Splash Shield L.H.	1
K		Attaching Parts: SCREW, cap, 5/8-18 NF x 1-3/4 (1-1/2"thd.) (1AX 50)	1
L		NUT, hex. 5/8-18 NF (20AX 7)	1
L-1		WASHER, Lock, 5/8 I.D. (36AX 7)	1
M	73RU 11723A	BRACKET, Side Splash Shield L.H. Upper Rear	1
N	58AX 249	SPRING, Side Splash Shield Tension	1
N-1	70AX 4	HOOKE, Tension Spring "S"	2
N-2	35AX 735	WASHER, Tension Spring Hook.	2
N-3		Attaching Parts: SCREW, cap, 1/2-20 NF x 1-1/4 (Full thd.) (1AX 42)	1
N-4		NUT, 1/2-20 NF (20AX 5)	1
N-5		WASHER, Lock 1/2 I.D. (36AX 5)	1
P	117QM 54	SHIELD COMPLETE, Front Splash R.H.	1
Q		Attaching Parts: SCREW, tapping type B, pan Phillips hd. (133AX 281)	3
R	117QM 53	SHIELD, Side Splash R.H.	1
S		Attaching Parts: SCREW, tapping type A, pan Phillips hd. #14 x 1/2 (131AX 244)	3
S-1	155AX 16	NUT, Speed #8A	3
T		SCREW, Tapping type B, pan Phillips hd. (133AX 281)	3
U	73RU 3374	BRACKET, Side Splash Shield R.H.	1
V		Attaching Parts: SCREW, cap, 5/8-18 NF x 1-3/4 (1-1/2"thd.) (1AX 50)	2
W		NUT, hex. 5/8-18 NF (20AX 7)	2
W-1		WASHER, Lock, 5/8 I.D. (36AX 7)	2

5/11/65

ah-mes

PAGE

#15K-6-1

MACK CHASSIS NUMBER must always be given with PART NUMBER when ordering.

# MACK TRUCK-TRACTOR PARTS BOOK

GROUP #15K - SPLASH APRON MOUNTING ARRANGEMENT  
SECTION 6 (Continued)

KEY	PART NUMBER	DESCRIPTION	NO. REQ.
<u>SECTION 6A - 33QMA 538P1(Cont.)</u>			
X	117QM 45	SHIELD, Side Splash R.H.	1
Y	73AX 64	Attaching Parts: FASTENER, Metal Grommet	1
Z	73RU 11723A	BRACKET, Side Splash Shield R.H. & Upper Rear	1
AA		Attaching Parts: SCREW, cap, 1/2-20 NF x 1-1/4 (Full thd.) (1AX 42)	1
AB		NUT, hex. 1/2-20 NF (20AX 5)	1
AB-1		WASHER, Lock, 1/2 I.D.(36AX 5)	1
AC	58AX 249	SPRING, Side Splash Shield Tension	1
AC-1	70AX 4	HOOK, Tension Spring "S"	2
AC-2	35AX 735	WASHER, Tension Spring Hook	2
AC-3		Attaching Parts: SCREW, cap, 1/2-20 NF x 1-1/4 (Full thd.) (1AX 42)	1
AC-4		NUT, 1/2-20 NF (20AX 5)	1
AC-5		WASHER, Lock, 1/2 I.D.(36AX 5)	1
<u>SECTION 6B - 33QMA 538P2</u> Same as 33QMA 538P1(Section 6A)Except			
V	Omit		
W	Omit		
<u>SECTION 6C - 33QMA 538P3</u> Same as 33QMA 538P1(Section 6A)Except			
K	Omit		
L	Omit		
<u>SECTION 6D - 33QMA 119</u> Same as 33QMA 538P1(Section 6A)Except			
P	117QM 252	SHIELD COMPLETE, Front Splash R.H.	1
<u>SECTION 6E - 33QMA 124</u> Same as 33QMA 538P1(Section 6A)Except			
P	117QM 48	SHIELD COMPLETE, Front Splash R.H.	1
V	Omit		
W	Omit		





LINE NO.	PART NUMBER	DESCRIPTION	NO. REQ.
		<u>SECTION 9A - 117QMA 414</u>	
1	58RU 3152	COVER COMPLETE, Pipe	1
2	117QM 413	SHIELD, Splash	2
3		Attaching Parts: SCREW, tapping type B, rd. Phillips hd. 1/4-14 x 3/8 (133AX 133)	3
4		SCREW, machine rd. Phillips hd. 1/4-20 NC x 7/8(130AX 259)	20
5	23AX 441	NUT (1/4-20 NC)	12
6	37AX 471	WASHER, Plain	23

Illustration #72-1719-23.

KEY	PART NUMBER	DESCRIPTION	NO. REQ.
<u>SECTION 38A - 72QSA 431P1(L.H.)</u>			
A	72QS 1127A	MIRROR KIT COMPLETE (For Components, see back of Group)	1
B	75QS 245	BRACKET, Top Mirror Mounting	1
C	43RU 1474	Attaching Parts: BOLT, "T" Head 1/4-28 NF	3
D		NUT, hex. 1/4-28 NF (2OAX 1)	3
E	35AX 323	WASHER, Lock	3
F	75QS 243	BRACKET, Bottom Mirror Mounting	1
G		Attaching Parts: SCREW, cap, 1/4-28 NF x 7/8 (3/4"thd.)(1AX 73)	4
H	35AX 323	WASHER, Lock	4
J	71RU 2466	PLATE, Mirror Bracket Reinforcing	1
<u>SECTION 38B - 72QSA 431P2(L.H. &amp; R.H.)</u> Same as 72QSA 431P1(Section 38A)Except			
A	72QS 1127A	MIRROR KIT COMPLETE. (For Components, see back of Group)	2
<u>SECTION 38C - 72QSA 431P3(L.H. &amp; R.H.)</u> Same as 72QSA 431P1(Section 38A)Except			
A	72QS 1128	MIRROR KIT COMPLETE (For Components, see back of Group)	2
<u>SECTION 38D - 72QSA 1138 (L.H. &amp; R.H.)</u> Same as 72QSA 431P1(Section 38A)Except			
A	72QS 1137	MIRROR KIT COMPLETE (For Components, see back of Group)	2
<u>SECTION 38E - 72QSA 1143 (L.H. &amp; R.H.)</u> Same as 72QSA 431P1(Section 38A)Except			
A	72QS 1142	MIRROR KIT COMPLETE (Dual) (For Components, see back of Group)	1
<u>SECTION 38F - 72QSA 1140 (L.H. &amp; R.H.)</u> Same as 72QSA 431P1(Section 38A)Except			
A	72QS 1139	MIRROR KIT COMPLETE (Dual) (For Components, see back of Group)	1
<u>SECTION 38G - 72QSA 1148(L.H.&amp;R.H.)</u> Same as 72QSA 431P1(Section 38A)Except			
A	72QS 1145	MIRROR KIT COMPLETE (For Components, see back of Group)	1
<u>SECTION 38H - 72QSA 1167</u> Same as 72QSA 431P1(Section 38A)Except			
A	72QSA 1168	MIRROR KIT COMPLETE (For Components, see back of Group)	1
<u>SECTION 38J - 72QSA 431P4</u> U401, 403, 410, 567, 607, 609, 611, 615 Series Same as 72QSA 431P1(Section 38A)Except			
A	72QS 1128	MIRROR KIT COMPLETE (For Components, see back of Group)	1

Illustration #106-1719-28.

KEY	PART NUMBER	DESCRIPTION	NO. REQ.
<u>SECTION 36A - 106QSA 529P2</u>			
A	125QW 444A	RISER COMPLETE, Driver's Seat	1
B	103AX 84	Attaching Parts:	6
C	21AX 761	SCREW, Tensile Lock	2
D	209QS 47	NUT, Tensile Lock	1
E	209QS 48	ADJUSTER, Driver's Seat, Inner	1
F	21AX 761	ADJUSTER, Driver's Seat, Outlet	4
G	Not Used	Attaching Parts:	
H	Not Used	NUT, Tensile Lock	
J	70QWA 433PI	SEAT ASSEMBLY, Driver's (For Components, see back of Group)	1
K	Not Used	Attaching Parts:	
L	21AX 761	NUT, Tensile Lock	4
M	37AX 197	WASHER, Flat	4
N	69QS 37	BRACKET, Rider's Seat Back Cushion R.H.	1
P	69QS 38	BRACKET, Rider's Seat Back Cushion L.H.	1
Q	103AX 84	Attaching Parts:	4
R	37AX 68	SCREW, Tensile Lock	2
S	68QS 48A	WASHER, Flat	1
T		CUSHION, Rider Seat Back	4
U		Attaching Parts:	4
V	66QS 3181	SCREW, cap, 1/4-20 NC x 5/8 (Full thd.)(4AX 36)	1
W		WASHER, Lock, 1/4 I.D.(36AX 1)	2
X		CUSHION, Rider's Seat	2
Y	69QS 36	Attaching Parts:	1
Z	103AX 84	SCREW, cap, 1/4-20 NC x 5/8 (Full thd.)(4AX 36)	2
AA	21AX 761	WASHER, Lock, 1/4 I.D.(36AX 1)	2
AB	130QS 122	BRACKET, Rider's Seat Cushion	1
AC	103AX 84	Attaching Parts:	2
AD	104AX 74	SCREW, Tensile Lock	2
AE		BRACKET, Rider's Seat Support	2
AF	130QW 34	Attaching Parts:	1
AG		SCREW, Tapping type B, rd. Phillips hd. #8-18 x 1/2 (133AX 107)	2
AH		REST COMPLETE, Rider's Seat Arm	1
AJ	73RU 494	Attaching Parts:	2
AK	103AX 84	NUT, hex. 1/4-28 NF (20AX 1)	2
AL	21AX 761	WASHER, Lock, 1/4 I.D.(36AX 1)	1
AM		BRACKET COMPLETE, Rider's Seat Arm Rest	4
AP	Not Used	Attaching Parts:	4
		SCREW, Tensile Lock	
		NUT, Tensile Lock	
<u>SECTION 36B - 106QSA 529P1</u> Same as 106QSA 529P2 (Section 36A) Except			
N	Omit		
Thru			
AL			
<u>SECTION 36C - 106QSA 152P1</u> Same as 106QSA 529P2 (Section 36A) Except			
D	Omit		
E	90RU 336	ADAPTER, Seat Riser	1
F		SCREW, cap, 5/16-24 NF x 7/8 (Full thd.)(1AX 19)	3
J	70QWA 1100	SEAT ASSEMBLY, Driver's (For Components, see back of Group)	1

KEY	PART NUMBER	DESCRIPTION	NO. REQ.
<u>SECTION 36C - 106QSA 152P1(Cont.)</u>			
N Thru AL	Omit		
<u>SECTION 36D - 106QSA 152P2</u> Same as 106QSA 529P2(Section 36A)Except			
D	Omit		
E	90RU 336	ADAPTER, Seat Riser	1
F		SCREW, cap, 5/16-24 NF x 7/8 (Full thd.)(LAX 19)	3
J	70QWA 1100	SEAT ASSEMBLY, Driver's (For Components, see back of Group)	1
<u>SECTION 36E - 106QSA 155P1</u> Same as 106QSA 529P2(Section 36A)Except			
A Thru H	Omit		
J	70QWA 438	SEAT ASSEMBLY, Driver's (For Components, see back of Group)	1
K Thru M	Omit		
<u>SECTION 36F - 106QSA 155P2</u> Same as 106QSA 529P2(Section 36A)Except			
A Thru H	Omit		
J	70QWA 438	SEAT ASSEMBLY, Driver's (For Components, see back of Group)	1
K Thru AL	Omit		
<u>SECTION 36G - 106QSA 154P1</u> Same as 106QSA 529P2(Section 36A)Except			
A	3330 4083	RISER COMPLETE, Driver's Seat	1
G	28SX 12P1	BASE ASSEMBLY, Driver's Seat (For Components, see back of Group)	1
H	21AX 761	NUT, Tensile Lock	4
K	103AX 84	SCREW, Tensile Lock	4
N Thru AL	Omit		
<u>SECTION 36H - 106QSA 154P2</u> Same as 106QSA 529P2(Section 36A)Except			
A	3330 4083	RISER COMPLETE, Driver's Seat	1
G	28SX 12P1	BASE ASSEMBLY, Driver's Seat (For Components, see back of Group)	1
H	21AX 761	NUT, Tensile Lock	4
K	103AX 84	SCREW, Tensile Lock	4
<u>SECTION 36J - 106QSA 532P1</u> Same as 106QSA 529P2(Section 36A)Except			
A	3330 4083	RISER COMPLETE, Driver's Seat	1

# MACK TRUCK-TRACTOR PARTS BOOK

GROUP #15N - SUN VISOR MOUNTING ARRANGEMENT  
SECTION 6

LINE NO.	PART NUMBER	DESCRIPTION	NO. REQ.
		<u>SECTION 6A - 147QSA 412 R.H.</u>	
1	147QSA 317	VISOR, Cab Sun	1
		Attaching Parts:	
2		SCREW, Tapping Type A, Oval Phillips hd. #10-12 x 5/8 (131AX 176)	3
3		SCREW, Machine, Oval Phillips hd. #10-32 NF x 3/4 (130AX 867)	3
4	26AX 93	RIVET, Special Blind threaded, open end #10-32 NF, Steel (Rivnut)	3
5	Not Used		
6	Not Used		
		<u>SECTION 6B - 147QSA 413 L.H.</u>	
		Same as 147QSA 412 (Section 6A) Except	
3		SCREW, Tapping, Type B, Oval Phillips hd. #10-16 x 5/8 (133AX 213)	3
4	Omit		
		<u>SECTION 6C - 147QSA 416P1(R.H.)</u>	
		Same as 147QSA 412 (Section 6A) Except R & U Model CA36, 361	
1	147QSA 316	VISOR, Cab Sun	1
		Attaching Parts:	
2	Omit		
		<u>SECTION 6D - 147QSA 416P2 (R.H.)</u>	
		Same as 147QSA 412 (Section 6A) Except R & U Model CA36, 361	
1	147QSA 316	VISOR, Cab Sun	1
		Attaching Parts:	
2	Omit		
5	173QS 31	BRACKET, 'Sun Visor Center Mounting	1
		Attaching Parts:	
6		SCREW, tapping type A, flat Phillips hd. #12-11 x 3/4 (131AX 36)	2

# MACK TRUCK-TRACTOR PARTS BOOK

GROUP #15P - WINDSHIELD WIPER ARRANGEMENT  
SECTION 42

NOTE: Key Letters Indicated on Illustration #32-1720-35.

KEY	PART NUMBER	DESCRIPTION	NO. REQ.
<u>SECTION 42A - 32QTA 514</u>			
A	62QTA 36	BLADE ASSEMBLY, Windshield Wiper Each Includes:	2
B	62QT 211	BLADE, Windshield Wiper Refill	1
C	33QT 359A	ARM ASSEMBLY, Windshield Wiper R.H.	1
D	33QT 360A	ARM ASSEMBLY, Windshield Wiper L.H.	1
E	33QT 356B	BODY & CONNECTOR ARM ASSEMBLY, Windshield Wiper Pivot	2
F	8274 86324J	Each Includes: DRIVER, Windshield Wiper Arm	1
G	8274 2397-7	WASHER, Windshield Wiper Arm Lock	1
H	8274 75026-1J	NUT, Windshield Wiper Arm Cap	1
J	35QT 116	CLIP, Lever Link Retaining	1
K	94RU 193 A	Attaching Parts: GASKET, Windshield Wiper Pivot Body	2
L		SCREW, Machine, oval Phillips hd. 1/4-28 NF x 3/4 (130AX 882)	4
M	35AX 180	WASHER, Cup	4
N	33QT 358	MOTOR ASSEMBLY, Windshield Wiper (L.H.) (For Components, See Back of Group)	1
P		Attaching Parts: SCREW, Cap, Hex. hd. 1/4-28 NF x 5/8 (Full thd.) (1AX 8)	4
Q		WASHER, Lock, medium 1/4 I.D. (36AX 1)	4
R	33QT 357	MOTOR ASSEMBLY, Windshield Wiper (R.H.) (For Components, See Back of Group)	1
S		Attaching Parts: SCREW, Cap, Hex. hd. 1/4-28 NF x 1/2 (Full thd.) (1AX 73)	4
T		WASHER, Lock, medium 1/4 I.D. (36AX 1)	4
U	35QT 27P3	VALVE, Windshield Wiper Control Rotary (For Components, See Back of Group)	2
V	63AX 1082	CONNECTOR ASSEMBLY, Wiper Air Supply Tube (At Air Manifold)	1
W	63AX 1436	TEE ASSEMBLY, R.H. Control Valve Air Supply Tube	1
X	63AX 1081	CONNECTOR ASSEMBLY, L.H. Valve Air Supply Tube	1
Y	63AX 441	TEE, L.H. Valve Air Supply	1
Z	63AX 329	CONNECTOR, Air Pressure Gauge Hose	1
AA	36RUA 3117P36	HOSE ASSEMBLY, Air Pressure Indicator	1
AB		Use Units as Follows: HOSE, Medium Low Pressure Lightweight 3/16 I.D. x 7/16 O.D. x 33-3/4" L. (911AXA)	1
AC	63AX 3087	END, Hose, Female Swivel	2

3/26/64 ko-mes

PAGE #15P-42-1

MACK CHASSIS NUMBER must always be given with PART NUMBER when ordering.

# MACK TRUCK-TRACTOR PARTS BOOK

GROUP #15P - WINDSHIELD WIPER ARRANGEMENT  
SECTION 42 - (Continued)

KEY	PART NUMBER	DESCRIPTION	NO. REQ.
		<p style="text-align: center;"><u>SECTION 42A - 32QTA 514 (Cont.)</u></p> <p>The Following Part Numbers are to be used to order in Bulk.</p> <p>TUBING, Copper, 1/4 O.D. HOSE, Windshield Wiper</p> <p style="text-align: center;"><u>SECTION 42B - 32QTA 316</u> Same as 32QTA 514 (Section 42A)</p> <p style="text-align: center;">NO PART NUMBER CHANGES.</p>	
AD AE	100AXA 64 243AXA 1		

# MACK TRUCK-TRACTOR PARTS BOOK

## GROUP #15P - WINDSHIELD MOUNTING ARRANGEMENT SECTION 44

NOTE: Key Letters Indicated on Illustration #32-1720-31.

KEY	PART NUMBER	DESCRIPTION	NO. REQ.
		<u>SECTION 44A - 1QTA 461 P1</u> CA38, CAS39, 40 F Model	
A	25RU 47AP2	SEAL, Windshield Glass	1
B	9QT 515	GLASS, Windshield (Tinted) R.H.	1
B	9QT 516	GLASS, Windshield (Tinted) L.H.	1
C	812AXA	FILLER, Windshield Glass Seal 22 1/2" L. (Outer Edges)	1
D	812AXA	FILLER, Windshield Glass Seal 28" L. (Center Post)	1
E	Not Used	RETAINER, Windshield Seal Center Strip	
F	Not Used	Attaching Parts: SCREW	
		<u>SECTION 44B - 1QTA 127</u> Same as 1QTA 461 (Section 44A) Except	
B	9QT 132	GLASS, Windshield (Clear) R.H.	1
B	9QT 133	GLASS, Windshield (Clear) L.H.	1
		<u>SECTION 44C - 1QTA 461 P2</u> CA36 R Model CA361 U Model Same as 1QTA 461 (Section 44A) Except	
A	25RU 47AP2	SEAL, Windshield Glass	1
B	9QT 513	GLASS, Windshield (Tinted) R.H.	1
B	9QT 514	GLASS, Windshield (Tinted) L.H.	1
C	812AXA	FILLER, Windshield Glass Seal 16 1/2" L. (Outer Edges)	1
D	812AXA	FILLER, Windshield Glass Seal 22" L. (Center Post)	1
E	24RU 4105	RETAINER, Windshield Seal Center Strip	1
F		Attaching Parts: SCREW, tapping type A, oval Phillips hd. #8-15 x 1/2 (131AX 167)	4



Illustration #1-184-30.

KEY	PART NUMBER	DESCRIPTION	NO. REQ.
<u>SECTION 31A - LRDA 5231 PL</u>			
A	58RU 3114	COVER COMPLETE, Heater Front Air Intake Attaching Parts:	1
B		SCREW, machine oval Phillips hd. #10-24 NC x 5/8(130AX 343)	4
C	155AX 25	NUT, Speed	4
D	34RU 2229	SCREEN COMPLETE, Heater Front Air Intake Attaching Parts:	1
E		SCREW, tapping type A, pan Phillips hd. #8-16 x 3/8 (131AX 243)	4
F	12AXA 110	SEAL, Heater Intake Duct 31"L. (Around Intake Louvre)	1
G	26LAX 34	SEAL, Rubber 34"L. Between Air Intake Duct & Inner Dash Panel	1
H	20MD 51	DUCT, Heater Air Intake Attaching Parts:	1
J		SCREW, cap, 1/4-28 NF x 1/2 (Full thd.)(LAX 73)	4
K	37AX 471	WASHER, Plain	2
L		WASHER, Lock, 1/4 I.D.(36AX 1)	4
M		NUT, hex. 1/4-28 NF (20AX 1)	2
N	37AX 471	WASHER, Plain	2
P		WASHER, Lock, 1/4 I.D.(36AX 1)	2
Q	2RDA 518B	HEATER ASSEMBLY, Cab-36, 400 BTU (For Comp. See back of Group) Attaching Parts:	1
R	103AX 84	SCREW, Tensile Lock	2
S		NUT, hex. 3/8-24 NF (20AX 3)	3
T		WASHER, Lock, 3/8 I.D.(36AX 3)	3
U	28RD 115	BRACKET, Heater Mounting Upper Attaching Parts:	2
V		SCREW, cap, 3/8-24 NF x 3/4 (Full thd.)(LAX 111)	2
W		WASHER, Lock, 3/8 I.D.(36AX 3)	2
X	28RD 320	BRACKET, Heater Mounting (Hinge Post)	1
Y	28RD 222	BRACKET, Heater Mounting Attaching Parts:	1
Z		SCREW, cap, 3/8-24 NF x 2-3/8(7/8"thd.) Heater Mounting Bracket (Hinge Post R.H. to Floor)(LAX 3)	2
AA		WASHER, Lock, 5/16 I.D.(36AX 2)	1
AB	2790 HV22962	HOSE, Heater Valve to Heater Inlet Attaching Parts:	1
AC	2790 111606	CLAMP, Hose	1
AD	25MF 123	VALVE, Water Modulating	1
AE	2790 HV22931	HOSE, Connector Plate to Heater Valve Attaching Parts:	1
AF	2790 111606	CLAMP, Hose	2
AG	2790 HV23017	HOSE, Heater Outlet Attaching Parts:	1
AH	2790 111606	CLAMP, Hose	2
AJ	33RD 25	CONNECTOR, Cab Heater Hose Attaching Parts:	1
AK		SCREW, machine rd. Phillips hd. #10-32 NF x 5/8(130AX 803)	4
AL		WASHER, Lock, #10 I.D.(36AX 14)	4
AM	243AX 42	HOSE, Heater Duct Drain 6"L.	3
AN	160AXA 492	HOSE, Heater 5/8 I.D. Cab Floor to R.H. Mounting Bracket (50' Bulk 14 Req.)	1
AP	83AX 451	CLAMP, Heater Hose	4
AQ	4 3QUA 4138	DUCT ASSEMBLY, Heater Outlet Attaching Parts:	1
AR	2790 110330	NUT, Wing	2
AS	2790 178378	WASHER, Lock	2
AT	43QUA 4139	DUCT ASSEMBLY, Heater Outlet Adapter Attaching Parts:	1
AU		SCREW, tapping type A, pan Phillips hd. #8-15 x 3/8 (131AX 243)	3
AV	43QUA 2621	DUCT ASSEMBLY, Drivers Heat Attaching Parts:	1
AW		SCREW, tapping type A, Pan Phillips hd. #8-18 x 3/8 (131AX 243)	4
AX	33RU 251P5	SEAL, Drivers Heat Duct	2
AY	33RU 251P4	SEAL, Drivers Heat Duct	1
AZ	43QU 2622	DUCT, Drivers Heat (R.H.) Attaching Parts:	1
BA		SCREW, tapping type B, Pan Phillips hd. #8-18 x 3/8(133AX281)	2
BB	43QU 2624	DUCT COMPLETE, Drivers Seat L.H.	1
BC		Attaching Parts:	1
BD	155AX 16	SCREW, tapping, type B, Pan Phillips hd. #8-18x3/8(133AX 281)	1
		NUT, Speed	1

KEY	PART NUMBER	DESCRIPTION	NO. REQ.
<u>SECTION 31A - IRDA 5231P1(cont.)</u>			
BE	27RC 125P1	CONTROL ASSEMBLY, Heater Fresh Air Includes:	1
BF		NUT, hex. jam 3/8-24 NF x 7/32 thick (21AX 151)	1
PG		WASHER, Lock, Light 3/8 I.D.(36AX 60)	1
BH	27RC 216	CONTROL, Heater Defroster	1
BJ		Attaching Parts:	
BK		NUT, hex. jam 7/16-20 NF x 1/4 thick (21AX 25)	1
BL	42MR 120P2	WASHER, Lock, Light 7/16 I.D.(36AX 57)	1
BM	1MR 1270	KNOB, Defroster Control Wire	1
		SWITCH, Heater Fan (2 Speed)	1
		Attaching Parts:	
BN	68RU 179	NUT (7/16-28 NF)	2
BP	42MR 121	KNOB, Heater Fan Switch	1
BQ	27RC 127	CONTROL, Heater Water Valve (Temperature)	1
		Attaching Parts:	
BR		NUT, hex. jam 3/8-24 NF x 7/32 thick (21AX 151)	1
PS		WASHER, Lock, Light 7/16 I.D.(36AX 60)	1
BT	11RE 15	CLIP, Heater Control Wire & Defroster Control Wire	2
		Attaching Parts:	
BU		SCREW, machine rd. Phillips hd. #10-32 NF x 1/2 (130AX 802)	2
BV		NUT, hex. Steel #10-32 NF (53AX 6)	2
BW		WASHER, Lock, #10 I.D.(36AX 14)	2
CB			
Thru	} Not Used		
CQ			
<u>SECTION 31B - IRDA 289</u> Same as IRDA 5231P1(Section 31A)Except			
AD	61AX 94	COCK, Heater Inlet Shut Off	1
AD-1	92RU 1256	CONNECTOR, Shut-Off Cock	2
AD-2	63AX 1516	COUPLING, Shut-Off Cock	2
<u>SECTION 31C - IRDA 5231P2</u> Same as IRDA 5231P1(Section 31A)Except			
AV	Omit		
AY thru)	Omit		
BA			
CB	} 43QUA 575	SLEEPING COMPARTMENT HEAT DUCT MOUNTING ARRANGEMENT  (Use with Rotary Lever Hold Down Hook) (See Group 15W, Section 4A)	
Thru			
CF			
<u>SECTION 31D - IRDA 5231P3</u> Same as IRDA 5231P1(Section 31A)Except			
AV	Omit		
AY thru	} Omit		
BA			
CB	} 43RUA 576	SLEEPING COMPARTMENT HEAT DUCT MOUNTING (Use with Lever Lock Hold Down Hook) (See Group 15W, Section 4B)	
Thru			
CQ			

KEY	PART NUMBER	DESCRIPTION	NO. REQ.
<u>SECTION 31E - LRDA 5243P1</u>			
Same as LRDA 5231P1(Section 31A)Except			
G	2QX 270	SEAL, Heater Front Fresh Air Intake	1
H	Omit		
Thru			
P	2RDA 521	HEATER ASSEMBLY, Cab (For Components, see back of Group)	1
Q			
R	21AX 761	NUT, Tensile Lock	2
S	Not Used		
T	Not Used		
U	28RD 120	BRACKET, Heater Mounting Upper	2
V	103AX 87	SCREW, Tensile Lock	2
W	Omit		
X	Omit		
Y	28RD 322	BRACKET, Heater Mounting (Lower)	1
Z		SCREW, cap, 1/4-28 NF x 1/2 (Full thd.)(1AX 73)	2
AA		WASHER, Lock, 1/4 I.D.(36AX 1)	2
AA-1		NUT, Tensile Lock	2
AB	21AX 761		
AB	2790 HV22931	HOSE, Heater Valve to Heater Inlet Elbow	1
AC-1	2790 HV19988	ELBOW, Upper Heater Valve Inlet Hose to Heater Inlet	1
AD	25MF 213	VALVE, Water Modulating	1
AE	160AXA 492	HOSE, Inlet Connector Plate to Heater Valve 5/8 I.D.(50' Bulk 16"Req.)	1
AF	83AX 451	CLAMP, Hose (Upper Heater Inlet)	2
AF-1	2790 HV19988	ELBOW, Heater Outlet to Upper Heater Outlet Hose	1
AG	160AXA 492	HOSE, Heater Outlet 5/8 I.D.Heater Outlet Elbow to Connector Plate (50' Bulk 21"Req.)	1
AH	83AX 451	CLAMP, Hose (Upper Heater Outlet)	2
AJ	33RD 26	CONNECTOR, Cab Heater Hose	1
AM	243AX 2	HOSE, Heater Duct Drain 7"L.	1
AQ	Omit		
Thru			
AS	43QUA 4145	DUCT ASSEMBLY, Heater Outlet Adapter	1
AT			
BE	27RC 125P2	CONTROL ASSEMBLY, Heater Fresh Air (Front)	1
BQ	27RC 127P2	CONTROL, Heater Water Valve (Temperature)	1
<u>SECTION 31F - LRDA 5243P2</u>			
Sleeper Cab CAS39 & 40			
Same as LRDA 5231P1(Section 31A)Except			
G	2QX 270	SEAL, Heater Front Fresh Air Intake	1
H	Omit		
Thru			
P	2RDA 521	HEATER ASSEMBLY, Cab (For Components, see back of Group)	1
Q			
R	21AX 761	NUT, Tensile Lock	2
S	Not Used		
T	Not Used		
U	28RD 120	BRACKET, Heater Mounting Upper	2
V	103AX 87	SCREW, Tensile Lock	2
W	Omit		
X	Omit		
Y	28RD 322	BRACKET, Heater Mounting (Lower)	1
Z		SCREW, cap, 1/4-28 NF x 1/2 (Full thd.)(1AX 73)	2
AA		WASHER, Lock, 1/4 I.D.(36AX 1)	2
AA-1		NUT, Tensile Lock	2
AB	21AX 761		
AB	2790 HV-22931	HOSE, Heater Valve to Heater Inlet Elbow	1
AC--1	2790 HV19988	ELBOW, Upper Heater Valve Inlet Hose to Heater Inlet	1
AD	25MF 213	VALVE, Water Modulating	1
AE	160AXA 492	HOSE, Inlet Connector Plate to Heater Valve 5/8 I.D.(50' Bulk 16"Req.)	1

KEY	PART NUMBER	DESCRIPTION	NO. REQ.
<u>SECTION 31F - LRDA 5243P2(Cont.)</u>			
AF	83AX 451	CLAMP, Hose (Upper Heater Inlet)	2
AF-1	2790 HV19988	ELBOW, Heater Outlet to Upper Heater Outlet Hose	1
AG	Not Used	HOSE, Heater Outlet 5/8 I.D.Heater Outlet Elbow to Connector Plate (50' Bulk 21"Req.)	
AH	83AX 451	CLAMP, Hose (Upper Heater Outlet)	2
AJ	33RD 26	CONNECTOR, Cab Heater Hose	1
AM	243AX 2	HOSE, Heater Duct Drain 7"L.	1
AQ	Omit		
AS			
AT	43QUA 4145	DUCT ASSEMBLY, Heater Outlet Adapter	1
BE	27RC 125P2	CONTROL ASSEMBLY, Heater Fresh Air (Front)	1
BQ	27RC 127P2	CONTROL, Heater Water Valve (Temperature)	1
CQ--1	2RDA 520	HEATER ASSEMBLY COMPLETE, (Sleeping Compartment) (For Components, see back of Group)	1
CQ--2		Attaching Parts: SCREW, tapping type B, flat Phillips hd. #6-20 x 3/8 (133AX 90)	2
CQ--3	33RD 114	ELBOW, Sleeping Compartment Heater Outlet	2
CQ--4	160AXA 492	HOSE, Sleeping Compartment Heater Inlet 5/8 I.D.(50' Bulk 84"Req.)	1
CQ--5	160AXA 492	HOSE, Sleeping Compartment Heater Outlet 5/8 I.D.(50' Bulk 78"Req.)	1
CQ--6	83AX 631	CLAMP, Sleeping Compartment Hose	4
CQ--7		Attaching Parts: NUT, hex. 1/4-20 NC (22AX 19)	8
CQ--8	37AX 471	WASHER, Plain	8
<u>SECTION 31G - LRDA 5242</u>			
Same as LRDA 5231P1(Section 31A)Except			
G	2QX 270	SEAL, Heater Front Fresh Air Intake	1
H	Omit		
Thru			
P			
Q	2RDA 521	HEATER ASSEMBLY, Cab (For Components, see back of Group)	1
R	21AX 761	NUT, Tensile Lock	2
S	Not Used		
T	Not Used		
U	28RD 120	BRACKET, Heater Mounting Upper	2
V	103AX 87	SCREW, Tensile Lock	2
W	Omit		
X	Omit		
Y	28RD 322	BRACKET, Heater Mounting (Lower)	1
Z		SCREW, cap, 1/4-28 NF x 1/2 (Full thd.)(1AX 73)	2
AA		WASHER, Lock, 1/4 I.D.(36AX 1)	2
AA-1	21AX 761	NUT, Tensile Lock	2
AB	2790 HV22931	HOSE, Heater Valve to Heater Inlet Elbow	1
AC-1	279- HV19988	ELBOW, Upper Heater Valve Inlet Hose to Heater Inlet	1
AD	25MF 213	VALVE, Water Modulating	1
AE	160AXA 492	HOSE, Inlet Connector Plate to Heater Valve 5/8 I.D.(50' Bulk 16"Req.)	1
AF	83AX 451	CLAMP, Hose (Upper Heater Inlet)	2
AF-1	2790 HV19988	ELBOW, Heater Outlet to Upper Heater Outlet Hose	1
AG	160AXA 492	HOSE, Heater Outlet 5/8 I.D.Heater Outlet to Elbow to Connector Plate (50' Bulk 21"Req.)	1
AH	83AX 451	CLAMP, Hose (Upper Heater Outlet)	2
AJ	33RD 26	CONNECTOR, Cab Heater Hose	1
AM	243AX 2	HOSE, Heater Duct Drain 7"L.	1
AQ	Omit		
Thru			
AS			
AT	43QUA 4145	DUCT ASSEMBLY, Heater Outlet Adapter	1

# MACK TRUCK-TRACTOR PARTS BOOK

## GROUP #15V - CAB ROOF TRIM PANEL MOUNTING ARRANGEMENT SECTION 9

NOTE: Key Letters Indicated on Illustration #116-1719-9.

KEY	PART NUMBER	DESCRIPTION	NO. REQ.
<u>SECTION 9A - 116QSA 434</u>			
A	24RU 4102	MOULDING, Trim Panel Retaining Metal	2
B		Attaching Parts: SCREW, tapping, type B, flat Phillips hd. #6-20 x 3/8 (133AX 14)	4
C	25RU 241P1	MOULDING, Cab Roof Trim Panel Windshield Header (Plastic)	1
D	116QS 433P2	PANEL, Cab Roof Trim Center	1
E	116QS 364	PANEL, Cab Roof Trim, R.H.Side	1
F	116QS 365	PANEL, Cab Roof Trim, L.H.Side	1
G	25RU 242P2	MOULDING, Cab Roof Trim Panel Retaining (Plastic)	2
H	8QT 112	CAP, Roof Bow Trim Moulding	4
J	82RU 136	COVER, Roof Rail Access Hole	2
K		Attaching Parts: SCREW, tapping type A, rd. Phillips hd. #8-15 x 3/8 (131AX 93)	4
<u>SECTION 9B - 116QSA 441</u> Same as 116QSA 434 (Section 9A) Except			
C	25RU 243	MOULDING, Cab Roof Trim Panel Windshield Header (Plastic)	1
D	116QS 436P2	PANEL, Cab Roof Trim Center	1

Illustration #4-184-7.

KEY	PART NUMBER	DESCRIPTION	NO. REQ.
<u>SECTION 7A - 4RDA 55P1</u> F607, F609 or F611			
A	100AX 69FT50	TUBING, Copper, .625 O.D. Heater Return (50' Bulk Item 46"Req.)	1
B	100AX 69FT50	TUBING, Copper, .625 O.D. Heater Inlet (50' Bulk Item 26"Req.)	1
C		NIPPLE, Std. stl. pipe 1/2 NPT x 2-1/2" L. Heater Shut Off Cock (63AX 1370)	1
D		COUPLING, Pipe, reducing, iron 1/2 NPT x 3/8 NPT, Heater Shut Off Cock (63AX 1522)	1
E	61AX 95	COCK, Heater Inlet Shut Off	1
F	52AX 13	SLEEVE, Heater Tubing	1
G	63AX 1054	NUT, Heater Inlet Tubing to Shut Off Cock	1
H	63AX 1410	ELBOW ASSEMBLY, Heater Return Tube to Water Manifold	1
J	Not Used		
K	83AX 618	CLAMP, Heater Hose Support	1
L		Attaching Parts: SCREW, cap, 1/4-28 NF x 3/4 (Full thd.) (1AX 374)	1
M		NUT, hex. 1/4-28 NF (20AX 1)	1
N		WASHER, Lock, 1/4 I.D. (36AX 1)	1
P	72RU 11102	BRACKET, Heater Clamp Support	1
Q		Attaching Parts: NUT, hex. 1/4-28 NF (20AX 1)	1
R		WASHER, Lock, 1/4 I.D. (36AX 1)	1
S	83AX 451	CLAMP, Heater Hose	4
T	893AX FT25	HOSE, Low Pressure 5/8 I.D. x 29/32 O.D. Heater Inlet & Outlet (25' Bulk Item 22"Req.)	2
U	Not Used		
V	Not Used		
W	Not Used		
<u>SECTION 7B - 4RDA 55P2</u> F715, F719 or F723 Same as 4RDA 55P1 (Section 7A) Except			
A	100AX 69FT50	TUBING, Copper .625 O.D. Heater Return (50' Bulk Item 50"Req.)	1
C	Omit		
D		BUSHING, Pipe reducing iron 3/4 NPT x 3/8 NPT (63AX 129)	1
H	63AX 1408	CONNECTOR ASSEMBLY, Heater Return Tube to Water Manifold	1
J		BUSHING, Pipe reducing iron 1 NPT x 1/2 NPT Heater Return Elbow (63AX 537)	1
<u>SECTION 7C - 4RDA 55P3</u> F640 Same as 4RDA 55P1 (Section 7A) Except			
A	100AX 69FT50	TUBING, Copper, .625 O.D. Heater Return (50' Bulk Item 46"Req.)	1
B	100AX 69FT50	TUBING, Copper .625 O.D. Heater Inlet (50' Bulk Item 60"Req.)	1
C	Omit		
D	Omit		
<u>SECTION 7D - 4RDA 55P4</u> F760 Same as 4RDA 55P1 (Section 7A) Except			
A	100AX 69FT50	TUBING, Copper .625 O.D. Heater Return (50' Bulk Item 42"Req.)	1
B	100AX 69FT50	TUBING, Copper .625 O.D. Heater Inlet (50' Bulk Item 32"Req.)	1
C		ELBOW, Street, 90°, iron 3/8 NPT Heater Shut Off Cock (63AX 153)	1
D		BUSHING, Pipe reducing iron 1/2 NPT x 3/8 NPT, Heater Shut Off Cock (63AX 923)	1
<u>SECTION 7E - 4RDA 410</u> MB605 Same as 4RDA 55P1 (Section 7A) Except			
A	100AX 69FT50	TUBING, Copper 5/8 O.D. Heater Return (50' Bulk Item 38"Req.)	1
B	100AX 69FT50	TUBING, Copper 5/8 O.D. Heater Inlet (50' Bulk Item 31"Req.)	1

KEY	PART NUMBER	DESCRIPTION	NO. REQ.
		<u>SECTION E - 4RDA 410 (Cont.)</u>	
C	Omit		
D		BUSHING, Pipe Reduc Iron 1/2 NPT x 3/8 NPT, Heater Shut Off Cock (63AX 9)	1
K	83AX 579	CLAMP, Heater Hose port	8
L		SCREW, cap, 1/4-28 x 3/4 (Full thd.)(LAX 374)	2
L-1		SCREW, cap, 1/4-28 x 1 (3/4"thd.)(LAX 126)	2
M		NUT, hex. 1/4-28 (20AX 1)	2
N		WASHER, Lock, 1/4" D.(36AX 1)	2
N-1	83AX 261	CLAMP, Heater Tube Support (Timing Gear Cover)	2
N-2		Attaching Parts:	
N-3	35AX 348	SCREW, cap, 5/16-24 x 1-1/2 (7/8"thd.)(LAX 400)	1
N-4	9RU 1199	WASHER, Spacer	1
T	893AX FT25	INSULATOR, Heater Tub Support Clamp	2
		HOSE, Low Pressure 5/8" I.D. x 29/32 O.D. Heater Inlet & Outlet (25' Bulk Item Req.)	1

LINE NO.	PART NUMBER	DESCRIPTION	QTY REQ.
<u>SECTION 16A - 4RDA 2209</u>			
1	66RU 176	HOSE, Crankcase Breather	1
2	83AX 454	CLAMP, Breather Hose	4
3	70RUA 243	ADAPTER, Crankcase Breather	1
Attaching Parts:			
4		SCREW, cap, 1/4-28 NF x 2-1/2(3/4" thd.)(1AX 388)	4
5	21AX 441	NUT (1/4-28 NF)	4
6	37AX 471	WASHER	4
7	120MF 132	GASKET, Crankcase Breather Adapter	1
8	92RU 1348	FITTING, Elbow	1
9	160AX 399	HOLE, Elbow Fitting	1



Illustration #27-1821-4.

KEY	PART NUMBER	DESCRIPTION	NO. REQ.
<u>SECTION 5A - 27RUA 411P1</u>			
A	2QM 312	HANDLE, Cab Side Grab	2
A-1		Attaching Parts: SCREW, machine rd. Phillips hd. 5/16-24 NF x 3/4 (130AX 841)	2
A-2		SCREW, machine rd. Phillips hd. 5/16-24 NF x 7/8 (130AX 842)	2
B	2QM 313	HANDLE, Cab Front Grab R.H.	1
C	2QM 314	HANDLE, Cab Front Grab L.H.	1
C-1		Attaching Parts: SCREW, machine oval Phillips hd. 1/4-28 NF x 3/4(130AX 882)	4
D	27RUA 217A	ORNAMENT, Bulldog Hood	1
D-1		Attaching Parts: SCREW, machine rd. Phillips hd. 1/4-28 NF x 1(130AX 833)	2
E	14MF 44	BASE, Hood Ornament	1
E-1		Attaching Parts: SCREW, machine oval Phillips hd. 1/4-28 NF x 3/4 (130AX 882)	2
F	27RU 369P1	LETTER, Mack "M"	1
F-1	123AX 41	Attaching Parts: NUT, Self Threading	2
F-2	49AX 127	PLUG, Letter "M" Access Button	2
G	27RU 369P2	LETTER, Mack "A"	1
G-1	123AX 41	Attaching Parts: NUT, Self Threading	2
H	27RU 369P3	LETTER, Mack "C"	1
H-1	123AX 41	Attaching Parts: NUT, Self Threading	2
J	27RU 369P4	LETTER, Mack "K"	1
J-1	123AX 41	Attaching Parts: NUT, Self Threading	2
J-2	49AX 127	PLUG, Letter "K" Access Button	2
<u>SECTION 5B - 27RUA 375</u> Same as 27RUA 411(Section 5A)Except			
A-3	21AX 314	NUT, Lock	1
A-4	37AX 1	WASHER, Flat	1
A-5	37AX 296	WASHER, Spacer	1
A-6	153RS 113	BRACKET COMPLETE, Lower L.H.Grab Handle	1
A-7		SCREW, cap, 1/4-28 NF x 5/8 (Full thd.)(1AX 8)	2
A-8		WASHER, Lock, 1/4 I.D.(36AX 1)	2
<u>SECTION 5C - 27RUA 411P2</u> Same as 27RUA 411P1(Section 5A)Except			
A-3	21AX 314	NUT, Lock, R.H.Grab Rail	1
A-4	37AX 1	WASHER, Flat R.H. Grab Rail	1
A-5	37AX 296	WASHER, Spacer R.H. Grab Rail	1
<u>SECTION 5D - 4MRA 42</u> Same as 27RUA 411P1(Section 5A)Except			
A-1		SCREW, cap, 5/16-24 NF x 7/8(Full thd.)(1AX 19)	4
A-2	35AX 324	WASHER, Lock	4
F		SCREW, machine truss Phillips hd. 1/4-20 NC x 7/16 Identification Letter Hole Filler (130AX 1268)	12
F-1	23AX 331	Attaching Parts: NUT, Lock	1
G Thru J-1	} Omit }		

# MACK TRUCK-TRACTOR PARTS BOOK

## GROUP #15AC - GAUGE PANEL ASSEMBLY SECTION 78

NOTE: Key Letters Indicated on Illustration #8-1320-55.

KEY	PART NUMBER	DESCRIPTION	NO. REQ.
<u>SECTION 78A - 8MTA 3149P1</u>			
A	8MT 3159P1	PANEL, Gauge	1
A-1	64MOA 217	SOCKET ASSEMBLY, Panel Lamp	1
B	51MS 24	VOLIMETER	1
B-1	42MO 14	BULB, Voltmeter (12-16V, 1.5 CP)	1
C	17MT 330 A	TACHOMETER	1
C-1	42MO 14	BULB, Tachometer (12-16V, 1.5 CP)	1
D	Not Used	SWITCH ASSEMBLY, Fuel Tank	
E	Not Used	PLATE, Fuel Tank Switch Name	
F	6MT 332P1	SPEEDOMETER (MPH)	1
F-1	42MO 14	BULB, Speedometer (12-16V, 1.5CP)	1
G	9MT 211	GAUGE, Fuel	1
G-1	42MO 14	BULB, Fuel Gauge (12-16V, 1.5 CP)	1
H	1MT 227P1	GAUGE, Oil Pressure	1
H-1	42MO 14	BULB, Oil Pressure Gauge	1
J	7MT 224P1	GAUGE, Air Pressure	1
J-1	42MO 14	BULB, Air Pressure Gauge (12-16V, 1.5 CP)	1
K	36MO 15P7	LAMP, Headlamp Beam Indicator	1
K-1	42MO 11	BULB, Headlamp Beam Indicator Lamp	1
L	3MT 226	GAUGE, Water Temperature	1
L-1	42MO 14	BULB, Water Temperature Gauge (12-16V, 1.5CP)	1
<u>SECTION 78B - 8MTA 3149P2</u> Same as 8MTA 3149P1(Section 78A)Except			
A	8MT 3159P2	PANEL, Gauge	1
C	Omit		
C-1	Omit		
<u>SECTION 78C - 8MTA 3149P3</u> Same as 8MTA 3149P1(Section 78A)Except			
A	8MT 3159P3	PANEL, Gauge	1
C	Omit		
C-1	Omit		
D	1MRA 2150P5	SWITCH ASSEMBLY, Fuel Tank	1
E	4MR 1100	PLATE, Fuel Tank Switch Name	1
<u>SECTION 78D - 8MTA 3179P1</u> Same as 8MTA 3149P1(Section 78A)Except			
A	8MT 3178P1	PANEL, Gauge	1
H-2	36MOA 33P14	LAMP ASSEMBLY, Low Oil Pressure Indicator	1
H-3	42MO 14	BULB, Oil Pressure Indicator (12-16V, 1.5 CP)	1
L-2	36MOA 33P2	LAMP ASSEMBLY, Water Temperature Indicator	1
L-3	42MO 14	BULB, Water Temperature Indicator (12-16V, 1.5 CP)	1

4/7/65 ah-mes

PAGE #15AC-78-1

MACK CHASSIS NUMBER must always be given with PART NUMBER when ordering.

# MACK TRUCK-TRACTOR PARTS BOOK

GROUP #15AC - GAUGE PANEL ASSEMBLY  
SECTION 78 (Continued)

KEY	PART NUMBER	DESCRIPTION	NO. REQ.
<u>SECTION 78E - 8MTA 3179P2</u> Same as 8MTA 3149P1(Section 78A)Except			
A	8MT 3178P2	PANEL, Gauge	1
B	2MT 217 *	AMMETER (100-0-100)	1
B	2MT 215A *	AMMETER (60-0-60)	1
B-1	41MO 31	BULB, Ammeter	1
B-2	64MO 123	HOLDER, Lamp Socket	1
C	17MT 152	TACHOMETER, Without Odometer	1
F	6MT 129	SPEEDOMETER, Without Odometer	1
H-2	36MOA 33P14	LAMP ASSEMBLY, Low Oil Pressure Indicator	1
H-3	42MO 14	BULB, Oil Pressure Indicator (12-16V, 1.5 CP)	1
L-2	36MOA 33P2	LAMP ASSEMBLY, Water Temperature Indicator	1
L-3	42MO 14	BULB, Water Temperature Indicator (12-16 V 1.5 CP)	1
<u>SECTION 78F - 8MTA 3179P3</u> Same as 8MTA 3149P1(Section 78A)Except			
A	8MTA 3178P3	PANEL, Gauge	1
H-2	36MOA 33P14	LAMP ASSEMBLY, Low Oil Pressure Indicator	1
H-3	42MO 14	BULB, Oil Pressure Indicator (12-16V., 1.5 CP)	1
H-4	36MOA 33P4	LAMP ASSEMBLY, Low Air Pressure Indicator	1
H-5	42MO 14	BULB, Low Air Pressure Indicator (12-16V, 1.5 CP)	1
L-2	36MOA 33P2	LAMP ASSEMBLY, Water Temperature Indicator	1
L-3	42MO 14	BULB, Water Temperature Indicator (12-16 V., 1.5 CP)	1
<u>SECTION 78G - 8MTA 3179P4</u> Same as 8MTA 3149P1(Section 78A)Except			
A	8MTA 3178P4	PANEL, Gauge	1
H-2	36MOA 33P14	LAMP ASSEMBLY, Low Oil Pressure Indicator	1
H-3	42MO 14	BULB, Oil Pressure Indicator (12-16 V., 1.5 CP)	1
<u>SECTION 78H - 8MTA 2113</u> Same as 8MTA 3149P1(Section 78A)Except			
A	8MT 3178P5	PANEL, Gauge	1
B	2MT 217	AMMETER, (100-0-100)	1
B-1	41MO 31P1	BULB, Ammeter	1
*Optional			

Illustration #8-1320-75.

KEY	PART NUMBER	DESCRIPTION	NO. REQ.
		<u>SECTION 102A - 8MTA 4206</u>	
A	8MT 4207	PANEL, Instrument Gauge	1
B	68MO 18	LAMP, Dash	5
C	13MT 131	GAUGE, Pressure (800 lb.)	8
D	12MT 126	GAUGE, Compound (200 lb.)	1
E	12MT 129	GAUGE, Compound (1000 lb.)	1
F	3ORS 181	VALVE, Pump Gauge Shut-Off	10
G	51RM 12	NUT, Shut-Off Valve Mounting	10
H	63AX 1920	ELBOW ASSEMBLY, Shut-Off Valve	20
J	63AX 498	CONNECTOR, Pressure Gauge	8
K	63AX 1005	NUT, Pressure Gauge Connector	8
L	63AX 949	COUPLING, Pipe Compound Gauge	2
M	63AX 1082	CONNECTOR ASSEMBLY, Compound Gauge	2
N	63AX 1436	TEE ASSEMBLY, Compound Gauge	2
P	63AX 6	BUSHING, Pipe Reducing, Compound Gauge	2
Q	63AX 764	PLUG, Compound Gauge	2
R	63AX 418	COUPLING, Compound Gauge	2
R-1	1MT 224	GAUGE, Fire Pump Oil Pressure	1
		<u>BULK TUBING</u>	
	100AX 64FT50	TUBING, 1/4 O.D.	



TITLE GAUGE & INSTRUMENT MOUNTING ARRANGEMENT

Illustration #8-1320-74

KEY	PART NUMBER	DESCRIPTION	NO. REQ.
SECTION 104A - 8MTA 53			
A	38QR 110P1	BRACKET, Instrument Panel L.H.	1
B	38QR 110P2	BRACKET, Instrument Panel R.H.	1
C	1AX 374	Attaching Parts: SCREW, 1/4-28 NF x 3/4	2
C-1	21AX 441	NUT (1/4-28 NF)	2
C-2	37AX 471	WASHER, Plain	2
D	33RU 1285	VIBRATION ISOLATOR, Instrument Panel	11
E	22AX 23	Attaching Parts: NUT, 1/2-13 NC	12
E-1	35AX 327	WASHER, Lock	12
F	38QR 19	BRACKET, Panel Mounting	1
G	1AX 374	Attaching Parts: SCREW, 1/4-28 NF x 3/4	2
H	21AX 441	NUT (1/4-28 NF)	2
H-1	37AX 471	WASHER, Plain	2
J	38QR 18	BRACKET, Panel Mounting	1
K	1AX 374	Attaching Parts: SCREW, 1/4-28 NF x 3/4	2
K-1	21AX 441	NUT (1/4-28 NF)	2
K-2	37AX 471	WASHER, Plain	2
L	38QR 328	SUPPORT COMPLETE, Instrument Panel	1
M	38QR 329	SUPPORT COMPLETE, Instrument Panel	1
N	8MT 4206	INSTRUMENT GAUGE ASSY. & PIPING ARRGT. (See Group 15AC, Section 102)	
P	8MT 54	INSTRUMENT GAUGE PANEL ASSY. (See Group 15AC, Section 106)	
Q	130AX 1249	Attaching Parts: SCREW, #10-32 NF x 1	24
Q-1	35AX 243	WASHER, Lock	24
R	38QR 330	SUPPORT COMPLETE, Instrument Panel	1
S	38QR 330	SUPPORT COMPLETE, Instrument Panel	1
T	12QR 237P2	COVER, Instrument Panel	1
U	12QR 237P1	COVER, Instrument Panel	1
V	130AX 1249	Attaching Parts: SCREW, #10-32 NF x 1	8
V-1	35AX 243	WASHER, Lock	8
W	4MR 2124P3	PLATE, Name, Discharge Pressure #3	1
X	4MR 2124P4	PLATE, Name, Discharge Pressure #4	1
Y	4MR 2124P5	PLATE, Name, Discharge Pressure #5	1
Z	4MR 2124P6	PLATE, Name, Discharge Pressure #6	1
AA	4MR 2124P2	PLATE, Name, Discharge Pressure #2	1
AB	4MR 2124P9	PLATE, Name, Manifold Pressure	1
AC	4MR 1132	PLATE, Name, Warning	1
AD	4MR 2124P10	PLATE, Name, Pump Pressure	1
AE	4MR 2124P7	PLATE, Name, Discharge Pressure #7	1
AF	4MR 2124P1	PLATE, Name, Discharge Pressure #1	1
AG	4MR 2124P8	PLATE, Name, Discharge Pressure #8	1
AH	4MR 2124P29	PLATE, Name, Test Plug	2
AJ	4MR 2124P34	PLATE, Name, Air Start Pressure	1
AK	4MR 2124P26	PLATE, Name, Air Start Valve	1
AL	4MR 2124P12	PLATE, Name, Engine Speed	1
AM	4MR 2124P14	PLATE, Name, Lube Oil Temp. (Inlet)	1
AN	4MR 2124P13	PLATE, Name, Lube Oil Temp. (Outlet)	1
AP	4MR 2124P15	PLATE, Name, Lube Oil Pressure	1
AQ	4MR 2124P16	PLATE, Name, Coolant Pressure	1
AR	4MR 2124P17	PLATE, Name, Coolant Temp. (Outlet)	1
AS	4MR 2124P35	PLATE, Name, Air Pressure Shut-Down	1
AT	4MR 2124P28	PLATE, Name, Exhaust Temp.	1
AU	4MR 2124P25	PLATE, Name, High Lube Oil Temp.	1
AV	4MR 2124P24	PLATE, Name, Low Main Oil Pressure	1
AW	4MR 2124P23	PLATE, Name, Coolant Differential Pressure	1
AX	4MR 2124P22	PLATE, Name, High Coolant Temperature (Outlet)	1
AY	4MR 2124P32	PLATE, Name, Run	1
AZ	4MR 2124P31	PLATE, Name, Stop	1



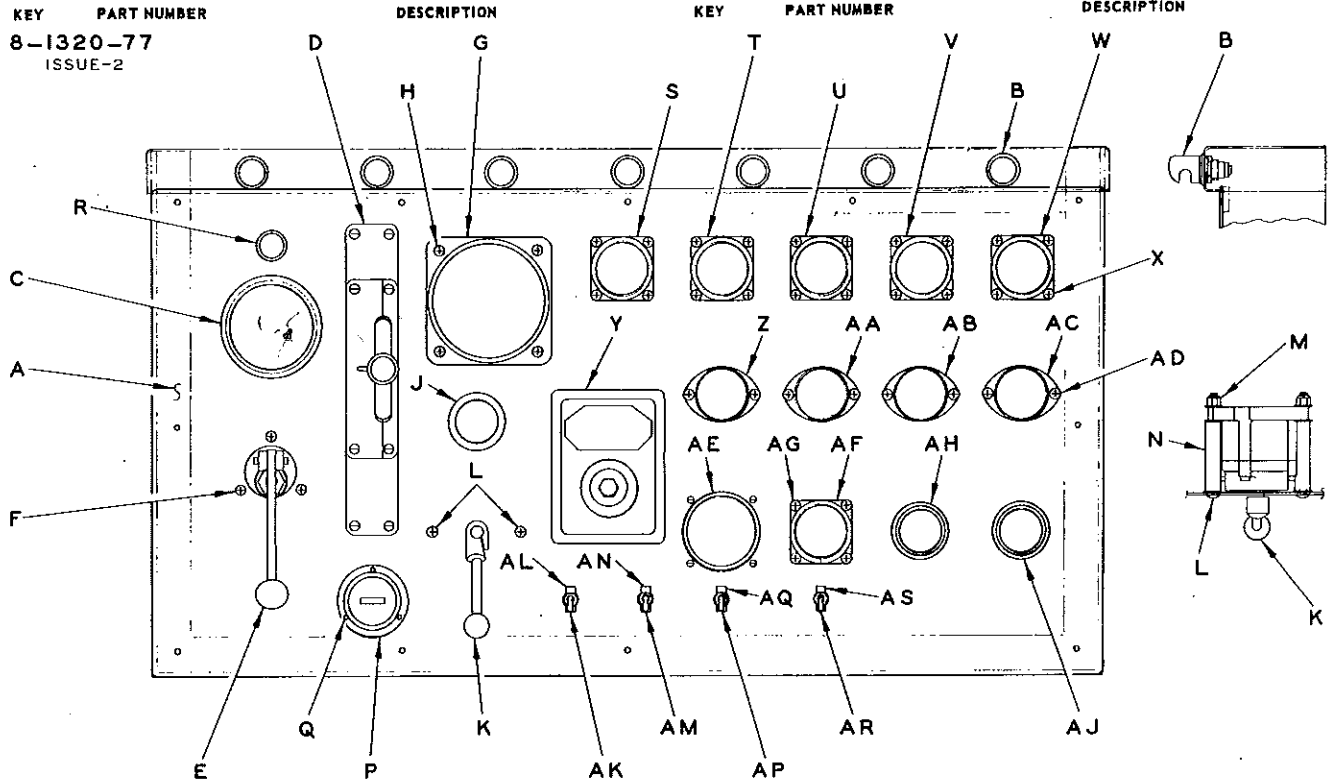
KEY	PART NUMBER	DESCRIPTION	NO. REQ.
SECTION 104A - 8MTA 53 (Cont.)			
BA	4MR 2124P11	PLATE, Name, R.P.M.Setting	1
BB	4MR 2124P33	PLATE, Name, Pump Flood Light	1
BC	4MR 2124P30	PLATE, Name, Engine Shut-Down Valve	1
BD	4MR 2124P19	PLATE, Name, Master Cut-Off	1
BE	4MR 2124P18	PLATE, Name, Panel Lights	1
BF	4MR 2124P27	PLATE, Name, Pack Setting	1
BG	4MR 2124P21	PLATE, Name, Fuel Pressure	1
BH	4MR 2124P20	PLATE, Name, Fuel Gauge	1
BJ	4MR 2124P53	PLATE, Name, Coolant Gauge	1
BK	4MR 2124P52	PLATE, Name, Hour Meter	1
BL	4MR 2124P64	PLATE, Name, Throttle Re-Set	1
BM	4MR 2124P54	PLATE, Name, Oil Pressure	1
		Attaching Parts:	
BN	131AX 80	SCREW, #6-18 x 1/4	84
BP	68MO 18	LAMP, Dash	1
BQ	35RB 318	PANEL, Partition	1
		Attaching Parts:	
BR	133AX 40	SCREW, #10-16 x 5/8	6
BS	38QR 112	BRACKET, Panel Mounting	1
		Attaching Parts:	
BT	1AX 374	SCREW, 1/4-28 NF x 3/4	2
BT-1	21AX 441	NUT (1/4-28 NF)	2
BT-2	37AX 471	WASHER	2



TITLE INSTRUMENT GAUGE PANEL ASSEMBLY

Quantity used is 1 unless otherwise specified in brackets ( ).

KEY PART NUMBER  
8-1320-77  
ISSUE-2



SECTION 106A - 8MTA 54

KEY	PART NUMBER	DESCRIPTION	KEY	PART NUMBER	DESCRIPTION
A	8MT 4208	PANEL, Inst Ga	W	---	GAUGE, Coolant Temp (0'let) (Furnished W/Eng)
B	68MO 18	LAMP, Ga Panel (7)	X	130AX 1247	Att Parts:
C	13MT 130	GAUGE, Press 600 Lb	X-1	21AX 479	SCREW, #10-32 NF x 3/4 (20)
D	---	GAUGE, RPM Setting (Furnished W/Eng)	X-2	37AX 469	NUT (#10-32 NF) (20)
E	---	VALVE, Air Start (Furnished W/Eng)	Y	---	WASHER, (20)
F	130AX 833	Att Parts:	Z	36MO 216P1	INDICATOR, Exh Temp (Furnished W/Eng)
F-1	21AX 441	SCREW, 1/4-28 NF x 1 (3)	AA	36MO 216P1	LAMP, High Lube Oil Temp Ind
F-2	37AX 471	NUT (1/4-28 NF) (3)	AB	36MO 216P1	LAMP, Low Main Oil Press Ind
G	---	WASHER (3)	AC	36MO 216P1	LAMP, Coolant Diff Press Ind
H	130AX 1250	INDICATOR, Eng Speed	AD	130AX 1247	LAMP, High Coolant Temp Ind (0'let)
H-1	21AX 479	Att Parts:	AD-1	21AX 479	Att Parts:
H-2	37AX 469	SCREW, #10-32 NF x 1-1/8 (4)	AD-2	37AX 469	SCREW, #10-32 NF x 3/4 (8)
J	7MT 224P1	NUT (#10-32 NF) (4)	AE	---	NUT, #10-32 NF (8)
K	20QE 1158	WASHER (4)	AF	---	WASHER, (8)
L	130AX 268	GAUGE, Press	AG	130AX 1247	GAUGE, Rack Setting Unit (Furnished W/Eng)
M	23AX 331	VALVE, Eng Shut-Down (See Comp)	AG-1	21AX 479	Att Parts:
M-1	37AX 471	Att Parts:	AG-2	37AX 469	SCREW, #10-32 NF x 3/4 (4)
N	44RU 11071	SCREW, 1/4-20 NC x 3 (2)	AH	9MT 29	NUT, (#10-32 NF) (4)
P	51MS 21	NUT (1/4-20 NC) (2)	AJ	1MT 134	WASHER, (4)
Q	130AX 775	WASHER, (2)	AK	1MR 1263	GAUGE, Fuel
Q-1	53AX 30	SPACER, (2)	AL	27RU 1560	Att Parts:
Q-2	35AX 1022	METER, Hour	AM	1MR 1263	SCREW, #10-32 NF x 3/4 (4)
R	1MR 1292	Att Parts:	AN	27RU 1560	NUT, (#10-32 NF) (4)
S	---	SCREW, #6-40 NF x 5/16 (3)	AP	1MR 1263	WASHER, (4)
T	---	NUT, #6-40 NC (3)	AQ	27RU 1560	GAUGE, Fuel Press
U	---	WASHER, (3)	AR	1MR 1263	Att Parts:
V	---	SWITCH, Lighted Push Button Re-Set	AS	27RU 1560	SCREW, #10-32 NF x 3/4 (4)
		GAUGE, Lube Oil Temp (Inl) (Furnished W/Eng)			NUT, (#10-32 NF) (4)
		GAUGE, Lube Oil Temp (0'let) (Furnished W/Eng)			WASHER, (4)
		GAUGE, Lube Oil Press (Furnished W/Eng)			GAUGE, Fuel
		GAUGE, Coolant Press (Furnished W/Eng)			GAUGE, Coolant
					SWITCH, Master Panel Cut-Out
					PLATE, Master Panel Cut-Out Sw Name
					SWITCH, Panel Lights
					PLATE, Panel Lights Sw
					SWITCH, Rack Setting
					PLATE, Rack Setting Sw Name
					SWITCH, Pmp Flood Light
					PLATE, Pmp Flood Light Sw Name



LINE NO.	PART NUMBER	DESCRIPTION	NO. REQ.
		<u>SECTION 107A - 8MTA 57</u>	
1		BUSHING, Pipe Reducing, iron, 1/2 NPT x 1/4 NPT (63AX 567)	2
2	63AX 1920	ELBOW ASSEMBLY, Gauge Panel Piping	10
3	63AX 1423	TEE ASSEMBLY, Gauge Panel Piping	10
		<u>BULK TUBING</u>	
	100AX 64FT50	TUBING, Copper 1/4 O.D.	



Illustration #8-1320-80.

KEY	PART NUMBER	DESCRIPTION	NO REQ
<u>SECTION 108A - 8MTA 4220</u>			
A	8MT 3238	PANEL, Gauge & Instrument (Upper)	1
B	24QR 266	PANEL, Compartment (Lower)	1
		Attaching Parts:	
C		SCREW, machine truss Phillips hd. #10-32 NF x 3/4(130AX 1247)	29
C-1	35AX 243	WASHER, Lock	29
D	39MT 17	GAUGE, 30" Vacuum	1
E	13MT 130A	GAUGE, Pressure 600 lb.	1
F	30RS 1382	VALVE, Adjustable Flow Control (For Components, see back of Group)	1
		Attaching Parts:	
G		SCREW, machine rd. Phillips hd. 1/4-28 NF x 1.(130AX 833)	4
G-1	21AX 441	NUT (1/4-28 NF)	4
G-2	37AX 471	WASHER, Plain	4
H	60MO 18	LAMP, Gauge Panel	4
J	1MR 1263	SWITCH, Gauge Panel Lamps	1
K	27RU 1560	PLATE, Name (On-Off)	1
L	4MR 2124P44	PLATE, Name (Priming Water Shut-Off)	1
M	4MR 2124P48	PLATE, Name (Priming Water Control)	1
N	4MR 2124P45	PLATE, Name (Vacuum Pump)	1
P	4MR 2124P49	PLATE, Name (Vacuum)	1
Q	4MR 2124P18	PLATE, Name (Panel Lights)	1
R	4MR 2124P46	PLATE, Name (Air Compressor)	1
S	4MR 2124P50	PLATE, Name (Air Pressure)	1
T	4MR 2124P47	PLATE, Name (Hyd. Flow Control)	1
U	4MR 2124P51	PLATE, Name (P.T.O.)	1
		Attaching Parts:	
V		SCREW, tapping type A, rd. Phillips hd. #6-18 x 1/4 (131AX 80)	18
V-1	17MT 330	TACHOMETER	2
V-2	4MR 2124P55	PLATE, Name, Air Compressor Drive	1
V-3	4MR 2124P56	PLATE, Name, Vacuum Pump Drive	1
V-4	4MR 2124P57	PLATE, Name, Engine Throttle	1
V-5	4MR 2124P58	PLATE, Name, Max. R.P.M.2000	2
V-6	4MR 2124P61	PLATE, Name Check Oil Level At 1000 RPM in Neutral At Running Temp.	1
		Attaching Parts:	
V-7		SCREW, tapping type A, rd. Phillips hd. #6-18 x 1/4(131AX80)	12

Illustration #1-1721-6.

KEY	PART NUMBER	DESCRIPTION	NO. REQ.
		<u>SECTION 5A - 1QUA 443</u>	
		F Model	
A	25RU 354	SEAL, Cab Roof Vent Opening	1
B	812AX 39	FILLER, Cab Roof Vent Opening Seal	1
C	23QU 43	VENTILATOR COMPLETE, Cab Roof	1
D	20QU 44	PANEL, Cab Roof Vent Duct	1
		Attaching Parts:	
E		SCREW, Tapping type A, rd. Phillips hd. #8-15 x 1/2 (131AX 94)	1
F	155AX 14	NUT, Speed	1
		<u>SECTION 5B - 1QUA 446</u>	
		Same as 1QUA 443 (Section 5A) Except C Model	
C	23QU 44	VENTILATOR COMPLETE, Cab Roof	1
D	20QU 47	PANEL, Cab Roof Vent Duct	1
E	Omit		
F	Omit		
		<u>SECTION 5C - 1QUA 323</u>	
		U Model	
		Same as 1QUA 443 (Section 5A) Except	
D Thru F	} Omit		

TITLE ENGINE COMPARTMENT INSULATION MOUNTING ARRANGEMENT

Illustration #9-1821-1.

KEY	PART NUMBER	DESCRIPTION	NO. REQ.
<u>SECTION 2A - 9RUA 431P1</u> "F" Model CA38 Cab			
A	9RUA 320	INSULATION & RETAINER ASSEMBLY, Engine Tunnel Center Top	1
B		Attaching Parts:	
C	35AX 1022	SCREW, tapping type B, rd. Phillips hd. #6-20 x 3/8(133AX90)	10
D	9RU 2102	WASHER, Lock	10
E	9RUA 318	INSULATION, Engine Tunnel Side L.H.Rear	1
F	27AX 354	INSULATION & RETAINER ASSEMBLY, Engine Tunnel Side L.H.	1
G	Not Used	Attaching Parts:	
H	9RUA 430	RIVET, Universal hd. Drive, Aluminum .187 x .312"L.	6
J	27AX 354	INSULATION & RETAINER ASSEMBLY, Engine Tunnel Side (L.H.)	1
K	Not Used	Attaching Parts:	
L	Not Used	RIVET, Universal hd. Drive, Aluminum .187 x .312"L.	5
M	27AX 354	RIVET, Universal hd. Drive, Aluminum .187 x .312"L.	2
N	21QX 2199	RETAINER, Seat Riser Insulation R.H.	2
P	27AX 354	Attaching Parts:	
Q	27AX 354	RIVET, Universal hd. Drive, Aluminum .187 x .312"L.	3
R	9RU 317A	RIVET, Universal hd. Drive Aluminum .187 x .312"L.	5
S	9RUA 429	INSULATION, Seat Riser Top R.H.	1
T	27AX 354	INSULATION & RETAINER ASSEMBLY, Seat Riser Side R.H.	1
U	27AX 354	Attaching Parts:	
V		RIVET, Universal hd. Drive Aluminum .187 x .312"L.	9
Thru		RIVET, Universal hd. Drive Aluminum .187 x .312"L.	3
AC	Not Used		
<u>SECTION 2B - 9RUA 431P2</u> "F" Model CAS39 Cab Same as 9RUA 431P1(Section 2A)Except			
V	9RU 296AP1	INSULATION, Mattress Floor R.H.	1
X	9RU 295AP3	INSULATION, Mattress Floor Center	1
AB	9RU 295AP1	INSULATION, Mattress Floor L.H.	1
<u>SECTION 2C - 9RUA 431P3</u> "F" Model CAS40 Cab Same as 9RUA 431P1(Section 2A)Except			
V	9RU 296AP2	INSULATION, Mattress Floor R.H.	1
X	9RU 295AP4	INSULATION, Mattress Floor Center	1
AB	9RU 295AP2	INSULATION, Mattress Floor L.H.	1
<u>SECTION 2D - 9RUA 431AP1</u> "F" Model CA38 Cab Same as 9RUA 431P1(Section 2A)			
NO PART NUMBER CHANGES.			
<u>SECTION 2E - 9RUA 431AP2</u> "F" Model CAS39 Cab Same as 9RUA 431P1(Section 2A)Except			
V	9RU 296AP1	INSULATION, Mattress Floor R.H.	1
X	9RU 295AP3	INSULATION, Mattress Floor Center	1
AB	9RU 295AP1	INSULATION, Mattress Floor L.H.	1

KEY	PART NUMBER	DESCRIPTION	NO. REQ.
		<p><u>SECTION 2F - 9RUA 431AP3</u> "F" Model CAS40 Cab Same as 9RUA 431P1(Section 2A)Except</p>	
V	9RU 296AP2	INSULATION, Mattress Floor R.H.	1
X	9RU 295AP4	INSULATION, Mattress Floor Center	1
AB	9RU 295AP2	INSULATION, Mattress Floor L.H.	1
		<p><u>SECTION 2G - 9RUA 437</u> "F" Model R.H.Drive CA38 Cab Same as 9RUA 431P1(Section 2A)Except</p>	
D	9RU 2105	INSULATION, Engine Tunnel Side L.H.Rear	1
		<p><u>SECTION 2H - 9RUA 431BP1</u> "F" Model CA38 Cab Same as 9RUA 431P1(Section 2A)</p> <p>NO PART NUMBER CHANGES.</p>	
		<p><u>SECTION 2J - 9RUA 431BP2</u> "F" Model CAS39 Cab Same as 9RUA 431P1(Section 2A)Except</p>	
V	9RU 296AP1	INSULATION, Mattress Floor R.H.	1
W	21QX 1178	RETAINER, Mattress Floor Insulation	5
X	9RU 295AP5	INSULATION, Mattress Floor Center Rear	1
Y	21QX 1178	RETAINER, Mattress Floor Insulation	3
Z	9RU 295AP5	INSULATION, Mattress Floor Center Front	1
AA	21QX 1178	RETAINER, Mattress Floor Insulation	3
AB	9RU 295AP1	INSULATION, Mattress Floor L.H.	1
AC	21QX 1178	RETAINER, Mattress Floor Insulation	4
		<p><u>SECTION 2K - 9RUA 431BP3</u> "F" Model CAS40 Cab Same as 9RUA 431P1(Section 2A)Except</p>	
V	9RU 296AP2	INSULATION, Mattress Floor R.H.	1
W	21QX 1178	RETAINER, Mattress Floor Insulation	7
X	9RU 295AP6	INSULATION, Mattress Floor Center Rear	1
Y	21QX 1178	RETAINER, Mattress Floor Insulation	5
Z	9RU 295AP6	INSULATION, Mattress Floor Center Front	1
AA	21QX 1178	RETAINER, Mattress Floor Insulation	5
AB	9RU 295AP2	INSULATION, Mattress Floor L.H.	1
AC	21QX 1178	RETAINER, Mattress Floor Insulation	6



TITLE MUFFLER INSULATION MOUNTING ARRANGEMENT

ILLUSTRATION #9-1821-2.

KEY	PART NUMBER	DESCRIPTION	NO. REQ.
		<u>SECTION 3A - 9RUA 443</u>	
A	9RU 2112P1	INSULATION, Muffler (Top)	1
B	9RU 2112P2	INSULATION, Muffler (Sides)	2
C		Attaching Parts: SCREW, Machine Truss Phillips Hd. #1-24 NC x 1-1/2 (130AX 1239)	58
D	21AX 479	NUT, (#10-24 NC)	58
D-1	15QD 185	WASHER	58
E	58RU 3153	COVER, Insulation	1
F		Attaching Parts: SCREW, Cap 1/4-28 NF x 1 (3/4" thd.)(1AX 126)	5
F-1	21AX 441	NUT, (1/4-28 NF)	5
F-2	37AX 471	WASHER, Plain	5
G	21QX 2202	RETAINER COMPLETE, Insulation	20
H		Attaching Parts: SCREW, Cap 5/16-24 NF x 1-1/4 (7/8 thd.)(1AX 36)	20

# MACK TRUCK-TRACTOR PARTS BOOK

GROUP #15AR - CAB-IN-WHITE (WELDED)(CA38)  
SECTION 2

NOTE: Key Letters Indicated on Illustration #1-1719-183 thru 185.

KEY	PART NUMBER	DESCRIPTION	NO. REQ.
<u>SECTION 2A - 1QSA 5690</u>			
A	11QR 531	PANEL COMPLETE, Dash R.H.	1
A-1	103AX 85	Attaching Parts: SCREW, Tensile Lock	6
B	50QW 55	REINFORCEMENT COMPLETE, Cab Floor Front R.H.	1
C	50QW 56	REINFORCEMENT COMPLETE, Cab Floor Front L.H.	1
D	19QS 444	POST, Body Front R.H.	1
E	19QS 365	POST COMPLETE, Body Front L.H.	1
E-1	69MX 23	Includes: STOP, Accelerator Pedal	1
F	177QS 422	REINFORCEMENT, Cab Front Post R.H.	1
G	177QS 423P1	REINFORCEMENT, Cab Front Post L.H.	1
H	67QR 43	REINFORCEMENT COMPLETE, Instrument Panel Lower	1
J	11QR 4128P1	PANEL COMPLETE, Dash Side & Dash Vent Hinge L.H.	1
J-1	17QU 32	Includes: HINGE COMPLETE, Dash Vent Door Leaf	1
J-2	103AX 85	Attaching Parts: SCREW, Tensile Lock	6
K	82QM 3100	COMPARTMENT COMPLETE, Engine Tunnel	1
L	82QM 235	Includes: PANEL COMPLETE, Seat Riser Top & Side R.H.	1
M	82QM 562P2	PANEL, Engine Compartment Side R.H.	1
N	53QY 526	PANEL, Seat Riser Side R.H.	1
P	53QY 485	PANEL COMPLETE, Seat Riser Top R.H.	1
Q	82QM 233	PANEL & REINFORCEMENT COMPLETE, Engine Compartment Top	1
Q-1	24QR 421	Includes: PANEL, Glove Compartment	1
R	82QM 233	PANEL COMPLETE, Engine Compartment Side L.H.	1
S	73RU 56	REINFORCEMENT, Engine Compartment Top R.H.	1
T	73RU 57	REINFORCEMENT, Engine Compartment L.H.	1
T-1	72RU 385	BRACKET, Engine Compartment Reinforcement to Instrument Panel R.H.	1
T-2	72RU 386	BRACKET, Engine Compartment Reinforcement to Instrument Panel L.H.	1
U	54QW 59	PANEL COMPLETE, Cab Floor Support & Floor R.H.	1
U-1	57QW 555	Includes: SUPPORT COMPLETE, Cab Floor R.H.	1
V	78QS 494	SILL, Cab Inner Door Lower R.H.	1
V-1	50QW 57	REINFORCEMENT COMPLETE, Cab Floor Support R.H.	1
V-2	50QW 54	REINFORCEMENT, Cab Floor Support R.H. Front	1
W	54QW 510	PANEL COMPLETE, Cab Floor Support & Floor L.H.	1
X	78QS 495	Includes: SILL, Cab Inner Door Lower L.H.	1
Y	50QW 53A	REINFORCEMENT, Floor L.H.	1
Z	57QW 557	SUPPORT COMPLETE, Cab Floor L.H.	1

# MACK TRUCK-TRACTOR PARTS BOOK

GROUP #15AR - CAB-IN-WHITE (WELDED)(CA38)  
SECTION 2 (Continued)

KEY	PART NUMBER	DESCRIPTION	NO. REQ.
SECTION 2A - 1QSA 5690(Cont )			
		Includes:	
Z-1	57QW 556	SUPPORT, Cab Floor L.H.	1
Z-2	57QW 411	SUPPORT, Cab Floor Extension L.H.	1
Z-3	50QW 315	REINFORCEMENT, CabFloor Support L.H.	1
Z-4	50QW 316	REINFORCEMENT, Cab Floor Support Front L.H.	1
Z-5	73RU 3357	STRIP COMPLETE, Clutch Spacer Mounting	1
Z-6	50QW 37	REINFORCEMENT COMPLETE, Cab Floor Support L.H.	1
AA	119QX 334	FRAME COMPLETE, Door Lower R.H	1
		Includes:	
AA-1	19QS 534	POST COMPLETE, Inner Lower Hinge R.H.	1
AB	7RU 51	GUSSET, Cab Rear Lock Sill to Lock Post R.H.	1
AC	100QS 326	POST COMPLETE, Lower Lock R.H.	1
AD	119QX 335	FRAME COMPLETE, Door Lower L.H.	1
		Includes:	
AD-1	19QS 535	POST COMPLETE, Inner Lower Hinge L.H.	1
AE	7RU 53	GUSSET, Cab Rear Lock Sill to Lock Post L.H.	1
AF	100QS 327	POST COMPLETE, Lower Lock L.H.	1
AG	6QS 574	PANEL COMPLETE, Cab Door Extension R.H.	1
AH	6QS 575	PANEL COMPLETE, Cab Door Extension L.H.	1
AJ	78QS 493	REINFORCEMENT COMPLETE, Cab Rear Lock Sill	1
AK	1RU 2730	ANGLE, Engine Compartment Side to Rear Sill R.H.	1
AK-1	1RU 2731	ANGLE, Engine Compartment Side to Rear Sill L.H.	1
DA	19QS 526	POST, Cab Hinge Inner R.H. Upper	1
DB	6QS 557	PANEL, Windshield Header Lower	1
DC	19QS 527	POST COMPLETE, Cab Hinge Inner L.H. Upper	1
		Includes:	
DD	72RU 11183	PLATE, Sun Visor Tapping	1
DE	77QX 461A	HEADER, Cab Door Inner R.H.	1
DF	77QX 462A	HEADER, Cab Door Inner L.H.	1
DG	11QR 530	PANEL, Dash Center	1
DH	37QR 2210	PANEL COMPLETE, Instrument	1
		Attaching Parts:	
DH-1	103AX 88	SCREW, Tensile Lock	4
DJ	67QR 55	REINFORCEMENT COMPLETE, Instrument Panel Upper	1
DK	100QS 536	POST, Cab Lock Inner Upper R.H.	1
DL	100QS 537	POST, Cab Lock Inner Upper L.H.	1
DL-1	100QS 540	POST, Cab Lock Inner R.H.Lower	1
DL-2	100QS 541	POST, Cab Lock Inner L.H.Lower	1
DL-3		TUBING, Copper 1/4 O.D. x 160"L.Air Horn Supply (100AXA 64)	1

# MACK TRUCK-TRACTOR PARTS BOOK

GROUP #15AR - CAB-IN-WHITE (WELDED)(CA38)  
SECTION 2 (Continued)

KEY	PART NUMBER	DESCRIPTION	NO. REQ.
<u>SECTION 2A - 1QSA 5690(Cont.)</u>			
DL-4		LOOM, SAE, Fire Resistant type 5/16 I.D. x 132"L. Air Horn Tube (676AXA)	1
DM	6QS 478	PANEL, Lock Sill to Cab Back Inner Filler	1
DN	6QS 5101	PANEL COMPLETE, Back Inner Includes:	1
DN-1	6QS 580	PANEL, Cab Back Inner	1
DP	6QS 578A	PANEL, Cab Back Inner Corner R.H.	1
DQ	6QS 579A	PANEL, Cab Back Inner Corner L.H.	1
DR	6QS 570	PANEL, Cab Back Extension	2
GA	5QS 414	PANEL COMPLETE, Cab Front Outer Includes:	1
GB	6QS 556	PANEL, Windshield Header Upper	1
GC	165QS 56	PANEL, Cab Roof Front Extension	1
GD	180QS 56	REINFORCEMENT, Windshield Header Panel	1
GE	19QS 536	POST COMPLETE, Cab Hinge Outer R.H.	1
GE	19QS 537	POST COMPLETE, Cab Hinge Outer L.H.	1
GE-1	53QY 374	PANEL, Front Upper Panel to Front Floor Reinforcement R.H.	1
GE-2	53QY 375A	PANEL, Front Upper Panel to Front Floor Reinforcement L.H.	1
GF	5QS 528P1	PANEL COMPLETE, Cab Front Upper Side R.H. Includes:	1
GG	71RU 11966	PLATE, Windshield Wiper Tower Mounting	1
GH	5QS 529P1	PANEL COMPLETE, Cab Front Upper Side L.H. Includes:	1
GJ	71RU 11966	PLATE, Windshield Wiper Tower Mounting	1
GK	5QS 417P1	PANEL COMPLETE, Cab Front Center Upper Includes:	1
GK-1	73RU 21406	REINFORCEMENT COMPLETE, Grab Handle Mounting	2
GK-2	73RU 21407	REINFORCEMENT COMPLETE, Ornament Mounting	1
GL	53QY 511	PANEL, Hinge Post Outer R.H. Upper	1
GM	53QY 512	PANEL, Hinge Post Outer L.H. Upper	1
GN	91RU 223	CAP, Cab Hinge Post Lower Attaching Parts:	2
GP	103AX 85	SCREW, Tensile Lock	2
GQ	21AX 761	NUT, Tensile Lock	2
GR	165QS 54 P2	PANEL, Cab Roof	1
GS	77QX 463	HEADER COMPLETE, Cab Door Outer R.H.	1
GS	77QX 464	HEADER COMPLETE, Cab Door Outer L.H.	1
GT	6QS 3131	PANEL COMPLETE, Cab Back Outer Includes:	1
GT-1	153RS 28	BRACKET, Grab Handle Mounting	4
GU	24RU 512	MOULDING, Rear Drip R.H.	1
GU	24RU 513	MOULDING, Rear Drip L.H.	1

5/7/65

mk-mes

PAGE #15AR-2-3

MACK CHASSIS NUMBER must always be given with PART NUMBER when ordering.



KEY	PART NUMBER	DESCRIPTION	NO. REQ.
		<u>SECTION 2A - IQSA 5690(Cont.)</u>	
GV	78QS 5105	SILL COMPLETE, Cab Rear Lock	1
		Includes:	
GV-1	7RU 52	GUSSET, Cab Rear Lock Sill R.H.	1
GW	78QS 492P1	SILL COMPLETE, Cab Rear Lock	1
GW-1	71RU 2443	PLATE, Cab Rear Lock Sill	1
GX	7RU 54	GUSSET, Cab Rear Lock Sill L.H.	1
GX-1	4QSA 362	CAB MOUNTING ARRANGEMENT(Partial-Rear Hook Section)(Rotating Lever)	
GX-2	4QSA 541	CAB MOUNTING ARRANGEMENT(Partial-Rear Hook Section)(Lock Lever) (See Group 15J)	
GY	91RU 36	CAP, Cab Lock Post Lower	2
		<u>SECTION 2B - IQSA 1601</u> Same as IQSA 5690(Section 2A)	
		NO PART NUMBER CHANGES.	
		<u>SECTION 2C - IQSA 5690P2</u> Same as IQSA 5690P1(Section 2A)Except	
GX-1	Omit		
GX-2	Omit		
		<u>SECTION 2D - IQSA 1642</u> Same as IQSA 5690P1(Section 2A)	
		NO PART NUMBER CHANGES.	
		<u>SECTION 2E - IQSA 1891</u> Same as IQSA 5690P1(Section 2A)Except	
T	73RU 3495	REINFORCEMENT, Engine Compartment L.H.	1

# MACK TRUCK-TRACTOR PARTS BOOK

GROUP #15AR - CAB BASIC GROOMING ARRANGEMENT  
SECTION 5

NOTE: Key Letters Indicated on Illustration #1-1719-186.

KEY	PART NUMBER	DESCRIPTION	NO. REQ.
<u>SECTION 5A - 1QSA 5694(CA38)</u>			
A	22QT 426	BAR, Windshield Division	1
A-1		Attaching Parts: SCREW, tapping type B, rd. Phillips hd. 1/4-14 x 5/8 (133AX 135)	2
B	58RU 3112	DOOR COMPLETE, Radiator Filler	1
		Includes:	
C	8RU 2211	LEAF, Radiator Filler Door Hinge (Short)	1
D	77RU 153	PIN, Radiator Filler Door Hinge	1
E	73RU 11654	BRACKET, Radiator Filler Door Hinge Spring	1
F	8RU 341	LEAF, Radiator Filler Door Hinge (Long)	1
		Attaching Parts:	
G		SCREW, machine, rd. Phillips hd. #10-32 NF x 7/16 (130AX 801)	3
H		NUT, hex. brass #10-32 NF (53AX 9)	3
H-1	35AX 243	WASHER, Lock	3
J	57QL 216	SPRING, Radiator Filler Door	1
K	2QU 314	DOOR COMPLETE, Dash Vent	1
		Attaching Parts:	
L		SCREW, cap, 1/4-28 NF x 5/8 (Full thd.) (1AX 8)	4
M		NUT, hex. 1/4-28 NF (20AX 1)	4
M-1		WASHER, Lock, 1/4 I.D. (36AX 1)	4
N		HINGE ASSEMBLY, Dash Vent (See Group 15AR, Section 2)	
P	37QU 123	HANDLE, Dash Vent	1
Q	58AX 222	SPRING, Dash Vent Door Hinge R.H.	1
Q	58AX 223	SPRING, Dash Vent Door Hinge L.H.	1
R	34RU 2230	SCREEN, Dash Vent	1
		Attaching Parts:	
S		SCREW, tapping type A, rd. Phillips hd. #7-16 x 7/8 (131AX 91)	3
T	31QS 177	DOOR SERVICE ASSEMBLY, R.H.	1
T	31QS 178	DOOR SERVICE ASSEMBLY, L.H. (See Group 15AR, Section 10)	1
		Attaching Parts:	
U	103AX 85	SCREW, Serrated hd.	16
V	8RUA 344	HINGE ASSEMBLY, Cab Door R.H.	2
V	8RUA 345	HINGE ASSEMBLY, Cab Door L.H.	2
		Attaching Parts:	
W	103AX 85	SCREW, Serrated hd.	12

KEY	PART NUMBER	DESCRIPTION	NO. REQ.
		SECTION 5B - IQSA 363 Same as IQSA 5694 (Section 5A) Except	
W-1	73RU 4109	BRACKET, Trailer Brake Hose Roof Mounting	1
W-2		Attaching Parts:	
W-3		SCREW, cap, 5/16-18 NC x 1 (7/8"thd.)(4AX 5)	4
W-4	177QS 332	WASHER, Lock, 5/16 I.D.(36AX 22)	4
W-4		REINFORCEMENT, Trailer Brake Hose Roof Mounting Bracket	1
W-5	26AX 155	Attaching Parts:	
		RIVNUT	4

Illustration # 3-1719-2

KEY	PART NUMBER	DESCRIPTION	NO. REQ.
<u>SECTION 8A - 3QSA 4124P1</u>			
A	9RU 435	COVER COMPLETE, Engine Tunnel Top Insulation R.H.	1
A-1		Attaching Parts: SCREW, Tapping Type B, Truss Phillips hd. #8-18 x 1/2 (133AX 320)	15
B	2QM 22	HANDLE, Instrument Panel Grab	1
C		Attaching Parts:	
C-1		SCREW, Machine oval Phillips hd. 1/4-20 NC x 1(130AX 366)	4
C-2		NUT, Hex. Std. 1/4-20 NC (22AX 19)	4
D	45MSA 57	WASHER, Lock, medium 1/4 I.D. (36AX 1)	4
D		AUXILIARY CONTROL PANEL MOUNTING ARRANGEMENT (See Group 15AR, Section 21.)	
E	58RU 3117	PANEL, Dash Cover L.H.	1
E	58RU 2361	PANEL, Dash Cover R.H.	1
F		Attaching Parts:	
F	103AX 84	SCREW, Tensile Lock (L.H.)	3
F		SCREW, Tapping Type A, rd. Phillips hd. #10-12 x 1/2 R.H. Cover (131AX 102)	4
G	31RC 39	KEEPER COMPLETE, Door Latch R.H.	1
G	31RC 310	KEEPER COMPLETE, Door Latch L.H.	1
G-1		Attaching Parts:	
G-2		SCREW, Machine rd. Phillips hd. 1/4-28 NF x 3/4 (130AX 831)	6
H	35AX 323	WASHER, Lock	6
H	Not Used		
J	Not Used		
K	Not Used		
L	116QSA 434	ROOM TRIM PANEL MOUNTING ARRANGEMENT (See Group 15V, Section 9)	
M	147QSA 413	CAB SUN VISOR MOUNTING ARRANGEMENT L.H. (See Group 15N, Section 6)	
M-1	27QS 11	HOOK, Cab Coat Hanger	1
M-2		Attaching Parts: SCREW, Tapping Type B, rd. Phillips hd. #8-18 x 1/2 (133AX 107)	2
<u>SECTION 8B - 3QSA 4124P2</u> Same As 3QSA 4124P1 (Section 8A) Except			
H	49AX 168	PLUG, Storage Compartment Reinforcement L.H.	3
J	62QSA 51P1	STORAGE & TOOL COMPARTMENT DOOR LOCK ARRANGEMENT (See Group 15AR, Section 24)	
K	109RD 282	MATTRESS, Berth Compartment	1
L	116QSA 57P1	ROOF TRIM PANEL MOUNTING ARRANGEMENT (See Group 15V, Section 10)	
M-1	27QS 11	HOOK, Cab Coat Hanger	2
M-2		Attaching Parts: SCREW, Tapping Type B, rd. Phillips hd. #8-18 x 1/2 (133AX 107)	4
<u>SECTION 8C - 3QSA 4124P3</u> Same As 3QSA 4124P1 (Section 8A) Except			
J	62QSA 51P2	STORAGE & TOOL COMPARTMENT DOOR LOCK ARRANGEMENT (See Group 15AR, Section 24)	
K	109RD 289A	MATTRESS, Berth Compartment	1
L	116QSA 57P2	ROOF TRIM PANEL MOUNTING ARRANGEMENT (See Group 15V, Section 10)	
M-1	27QS 11	HOOK, Cab Coat Hanger	2
M-2		Attaching Parts: SCREW, Tapping Type B, rd. Phillips hd. #8-18 x 1/2 (133AX 107)	4

KEY	PART NUMBER	DESCRIPTION	NO. REQ.
		<u>SECTION 8D - 3QSA 4124P4</u> Same As 3QSA 4124P1 (Section 8A) Except	
L	116QSA 441	ROOM TRIM PANEL MOUNTING ARRANGEMENT (See Group 15V, Section 9)	
		<u>SECTION 8E - 3QSA 4124P5</u> Same As 3QSA 4124P1 (Section 8A) Except	
H	49AX 168	PLUG, Storage Compartment Reinforcement L.H.	3
J	62QSA 51P1	STORAGE & TOOL COMPARTMENT DOOR LOCK ARRANGEMENT (See Group 15AR, Section 24)	
K	109RD 282	MATTRESS, Berth Compartment	1
L	116QSA 58P1	ROOF TRIM PANEL MOUNTING ARRANGEMENT (See Group 15V, Section 10)	
M-1	27QS 11	HOOK, Cab Coat Hanger	2
M-2		Attaching Parts: SCREW, Tapping Type B, rd. Phillips hd. #8-18 x 1/2 (133AX 107)	4
		<u>SECTION 8F - 3QSA 4124P6</u> Same As 3QSA 4124P1 (Section 8A) Except	
J	62QSA 51P2	STORAGE & TOOL COMPARTMENT DOOR LOCK ARRANGEMENT (See Group 15AR, Section 24)	
K	109RD 289A	MATTRESS, Berth Compartment	1
L	116QSA 58P2	ROOF TRIM PANEL MOUNTING ARRANGEMENT (See Group 15V, Section 10)	
M-1	27QS 11	HOOK, Cab Coat Hanger	2
M-2		Attaching Parts: SCREW, Tapping Type B, rd. Phillips hd. #8-18 x 1/2 (133AX 107)	4
		<u>SECTION 8G - 3QSA 1229P1</u> Same As 3QSA 4124P1 (Section 8A)	
		NO PART NUMBER CHANGES	
		<u>SECTION 8H - 3QSA 1229P2</u> Same As 3QSA 4124P1 (Section 8A) Except	
H	49AX 168	PLUG, Storage Compartment Reinforcement L.H.	3
J	62QSA 51P1	STORAGE & TOOL COMPARTMENT DOOR LOCK ARRANGEMENT (See Group 15AR, Section 24)	
K	OMIT		
L	116QSA 57P1	ROOF TRIM PANEL MOUNTING ARRANGEMENT (See Group 10V, Section 10)	
M-1	27QS 11	HOOK, Cab Coat Hanger	2
M-2		SCREW, Tapping Type B, rd. Phillips hd. #8-18 x 1/2 (133AX 107)	4
		<u>SECTION 8J - 3QSA 1229P3</u> Same As 3QSA 4124P1 (Section 8A) Except	
J	62QSA 51P2	STORAGE & TOOL COMPARTMENT DOOR LOCK ARRANGEMENT (See Group 15AR, Section 24)	
K	OMIT		
L	116QSA 57P2	ROOF TRIM PANEL MOUNTING ARRANGEMENT (See Group 15V, Section 10)	
M-1	27QS 11	HOOK, Cab Coat Hanger	2
M-2		SCREW, Tapping Type B, rd. Phillips hd. #8-18 x 1/2 (133AX 107)	4

KEY	PART NUMBER	DESCRIPTION	NO. REQ.
<u>SECTION 8U - 3QSA 1247 (Cont.)</u>			
L	116QSA 58P3	ROOF TRIM PANEL MOUNTING ARRANGEMENT (See Group 15V, Section 10)	1
M-1	27QS 11	HOOK, Cab Coat Hanger	2
M-2		SCREW, tapping type B, rd. Phillips hd. #8-18 x 1/2 (133AX 107)	4
<u>SECTION 8V - 3QSA 1248</u>			
CAS40 R.H. Drive Same as 3QSA 4124P1 (Section 8A) Except			
A	9RU 436	COVER COMPLETE, Engine Tunnel Top Insulation R.H.	1
C-3	36QRA 55	INSTRUMENT PANEL & STEERING SHAFT COVER ARRANGEMENT (See Group 15F)	1
D	45MSA 59	AUXILIARY CONTROL PANEL MOUNTING ARRANGEMENT (See Group 15AR, Section 23)	1
J	62QSA 51P2	STORAGE & TOOL COMPARTMENT DOOR LOCK ARRANGEMENT (See Group 15AR, Section 24)	1
K	109RD 289A	MATTRESS, Berth Compartment	1
M-1	27QS 11	HOOK, Cab Coat Hanger	2
M-2		SCREW, tapping type B, rd. Phillips hd. #8-18 x 1/2 (133AX 107)	4
<u>SECTION 8W - 3QSA 1249</u>			
Same as 3QSA 4124P1 (Section 8A) Except			
D	45MSA 114	AUXILIARY CONTROL PANEL MOUNTING ARRANGEMENT (See Group 15AR, Section 21)	
<u>SECTION 8X - 3QSA 4138P1</u>			
Same as 3QSA 4124P1 (Section 8A) Except			
A	Omit		
A-1	Omit		
D	45MSA 57P2	AUXILIARY CONTROL PANEL MOUNTING ARRANGEMENT (See Group 15AR, Section 21)	1
H	49AX 68	PLUG, Storage Compartment Reinforcement L.H.	3
J	62QSA 52P1	STORAGE & TOOL COMPARTMENT DOOR LOCK ARRANGEMENT (See Group 15AR, Section 24)	1
K	109RD 282	MATTRESS, Berth Compartment	1
L	116QSA 57P1	ROOF TRIM PANEL MOUNTING ARRANGEMENT (See Group 15V, Section 24)	1
<u>SECTION 8Y - 3QSA 4138P2</u>			
Same as 3QSA 4124P1 (Section 8A) Except			
A	Omit		
A-1	Omit		
D	45MSA 57P2	AUXILIARY CONTROL PANEL MOUNTING ARRANGEMENT (See Group 15AR, Section 21)	1
J	62QSA 52P2	STORAGE & TOOL COMPARTMENT DOOR LOCK ARRANGEMENT (See Group 15AR, Section 24)	1
K	109RD 289A	MATTRESS, Berth Compartment	1
L	116QSA 57P2	ROOF TRIM PANEL MOUNTING ARRANGEMENT (See Group 15V, Section 24)	1
<u>SECTION 8Z - 3QSA 4138P3</u>			
Same as 3QSA 4124P1 (Section 8A) Except			
A	Omit		
A-1	Omit		
D	45MSA 57P2	AUXILIARY CONTROL PANEL MOUNTING ARRANGEMENT (See Group 15AR, Section 21)	1
H	49AX 68	PLUG, Storage Compartment Reinforcement L.H.	3

KEY	PART NUMBER	DESCRIPTION	NO. REQ.
<u>SECTION 8Z - 3QSA 4138P3(Cont.)</u>			
J	62QSA 52P1	STORAGE & TOOL COMPARTMENT DOOR LOCK ARRANGEMENT (See Group 15AR, Section 24)	1
K	109RD 282	MATTRESS, Berth Compartment	1
L	116QSA 57P1	ROOF TRIM PANEL MOUNTING ARRANGEMENT (See Group 15V, Section 24)	1
M-3	9RU 2107	QUILT COMPLETE, Sleeping Compartment Rear Wall Insulation	1
M-4		Attaching Parts: SCREW, tapping type A, Pan Phillips hd. #8-15 x 1/2 (131AX 244)	7
<u>SECTION 8AA - 3QSA 4138P4</u> Same as 3QSA 4124P1(Section 8A)Except			
A	Omit		
A-1	Omit		
D	45MSA 57P2	AUXILIARY CONTROL PANEL MOUNTING ARRANGEMENT (See Group 15AR, Section 21)	1
J	62QSA 52P2	STORAGE & TOOL COMPARTMENT DOOR LOCK ARRANGEMENT (See Group 15AR, Section 24)	1
K	109RD 289A	MATTRESS, Berth Compartment	1
L	116QSA 57P2	ROOF TRIM PANEL MOUNTING ARRANGEMENT (See Group 15AR, Section 24)	1
M-3	9RU 2107	QUILT COMPLETE, Sleeping Compartment Rear Wall Insulation	1
M-4		Attaching Parts: SCREW, tapping type A, Pan Phillips hd. #8-15 x 1/2 (131AX 244)	7
<u>SECTION 8AB - 3QSA 4138P5</u> Same as 3QSA 4124P1(Section 8A)Except			
A	Omit		
A-1	Omit		
H	49AX 68	PLUG, Storage Compartment Reinforcement L.H.	3
J	62QSA 52P1	STORAGE COMPARTMENT DOOR LOCK ARRANGEMENT (See Group 15AR, Section 24)	1
K	109RD 282	MATTRESS, Berth Compartment	1
L	116QSA 57P1	ROOF TRIM PANEL MOUNTING ARRANGEMENT (See Group 15V, Section 24)	1
<u>SECTION 8AC - 3QSA 4138P6</u> Same as 3QSA 4124P1(Section 8A)Except			
A	Omit		
A-1	Omit		
J	62QSA 52P2	STORAGE TOOL COMPARTMENT DOOR LOCK ARRANGEMENT (See Group 15AR, Section 24)	1
K	109RD 289A	MATTRESS, Berth Compartment	1
L	116QSA 57P2	ROOF TRIM PANEL MOUNTING ARRANGEMENT (See Group 15V, Section 24)	1
<u>SECTION 8AD - 3QSA 4138P7</u> Same as 3QSA 4124P1(Section 8A)Except			
A	Omit		
A-1	Omit		
D	45MSA 57P2	AUXILIARY CONTROL PANEL MOUNTING ARRANGEMENT (See Group 15AR, Section 21)	1
J	6QSA 52P2	STORAGE & TOOL COMPARTMENT DOOR LOCK ARRANGEMENT (See Group 15AR, Section 24)	1
K	109RD 289A	MATTRESS, Berth Compartment	1
L	116QSA 58P3	ROOF TRIM PANEL MOUNTING ARRANGEMENT (See Group 15V, Section 10)	1

Illustration #3-1719-1.

KEY	PART NUMBER	DESCRIPTION	NO. REQ.
<u>SECTION 9A - 3QSA 4125P1</u>			
A	1QTA 461	WINDSHIELD MOUNTING ARRANGEMENT (See Group 15P, Section 44)	1
B	1QUA 443	CAB ROOF VENTILATOR MOUNTING ARRANGEMENT (See Group 15AG, Section 5)	1
C	84QSA 38P1	CAB REAR WINDOW MOUNTING ARRANGEMENT (See Group 15AR, Section 15)	1
C-1	2QM 22	HANDLE, Cab Rear Grab	1
C-2		Attaching Parts:	
C-3	27AX 124	SCREW, machine oval Phillips hd. 1/4-20 NC x 1(130AX 366)	4
D	Not Used	RIVNUT, 1/4-20 NC	4
E	27RUA 411P1	ORNAMENT & EXTERIOR TRIM MOUNTING ARRANGEMENT (See Group 15Y, Section 5)	1
F	5QSA 418	CAB LOWER PANEL MOUNTING ARRANGEMENT (See Group 15AR, Section 12)	1
G	9RUA 431BP1	ENGINE TUNNEL INSULATION MOUNTING ARRANGEMENT (See Group 15AJ, Section 2)	1
H	6MF 519P1	GRILLE, Radiator	1
H-1		Attaching Parts:	
J	104AX 18	SCREW, machine rd. Phillips hd. 5/16-24 NF x 5/8(130AX 840)	12
K	12AX 110FT50	BUMPER, Radiator Filler Door	2
L	2QX 1323P157	SEAL, Dash Vent Sponge Rubber 3/16 x 1/2 (50' Bulk Item-31"Req.)	1
M	85QMA 448	SEAL, Cab Door	2
N	32QM 443	CAB INTERMEDIATE STEP MOUNTING ARRANGEMENT (See Group 15AR, Section 13)	2
N	32QM 459	BRACKET & STEP COMPLETE, Cab Rear R.H. ("J" Hook)	1
N-1	32QM 440A	BRACKET & STEP COMPLETE, Cab Rear L.H. (Ladder)	1
N-2	32QM 441A	Includes:	
N-3	103AX 85	BRACKET, Cab Rear Step R.H.	1
N-4	32QM 2279	BRACKET, Cab Rear Step L.H.	1
N-5	37AX 257	Attaching Parts:	
P thru Q	Not Used	NUT, Tensile Lock	6
R	39QL 436	SUPPORT, Cab Step Mounting L.H.	1
R-1		Attaching Parts:	
S	39QL 2321	WASHER, Plain	1
T	Not Used	PLATE, Cab Door Skirt Panel Scuff	2
U	Not Used	Attaching Parts:	
V	Not Used	SCREW, tapping type B, truss Phillips hd. #8-18 x 1/2 (133AX 320)	14
<u>SECTION 9B - 3QSA 4125P2</u>			
Same as 3QSA 4125P1 (Section 9A) Except			
C	84QSA 38P2	PLATE, Door Frame Scuff (Adhesive)	2
D	6QSA 499P3	CAB REAR WINDOW MOUNTING ARRANGEMENT (See Group 15AR, Section 15)	1
G	9RUA 431BP2	CAB BACK OUTER LOWER CENTER PANEL ARRANGEMENT (See Group 15AR, Section 7)	1
M	) Omit	ENGINE TUNNEL INSULATION MOUNTING ARRANGEMENT (See Group 15AJ, Section 7)	1
Thru N-3			
P	2QX 334P1		
P-1	2QX 334P2	SEAL, Storage Compartment Door	1
P-2	104AX 85	SEAL, Tool Compartment Door	1
P-3		BUMPER, Oil Filler Door	1
P-4		Attaching Parts:	
P-5		SCREW, machine rd. Phillips hd. #6-32 NC x 5/8(130AX 190)	1
Q	12AX 111FT50	NUT, hex. stl. #6-32 NC (53AX 25)	1
Q-1	104AX 79	WASHER, Lock, #6 I.D. (36AX 20)	1
		SEAL, Sponge Rubber 5/16 x 1/2 Bunk Vent (50' Bulk-Item 25"Req.)	2
		BUMPER, Cab Bunk Vent Rubber	4

1/7/65 ejm-mes



KEY	PART NUMBER	DESCRIPTION	NO. REQ.
SECTION 9R - 3QSA 4125P9 Same as 3QSA 4125P1 (Section 9A) Except			
C	84QSA 38P3	CAB REAR WINDOW MOUNTING ARRANGEMENT (See Group 15AR, Section 15)	1
G	9RUA 431BP3	ENGINE TUNNEL INSULATION MOUNTING ARRANGEMENT (See Group 15AJ, Section 2)	1
M Thru N-3	Omit		
P	2QX 334P1	SEAL, Storage Compartment Door	1
P-1	2QX 334P2	SEAL, Tool Compartment Door	1
P-2	104AX 85	BUMPER, Oil Filler Door	1
		Attaching Parts:	
P-3		SCREW, machine rd. Phillips hd, #6-32 NC x 5/8 (130AX 190)	2
P-4		NUT, hex. stl. #6-32 NC (53AX 25)	1
P-5		WASHER, Lock, #6 I.D. (36AX 20)	1
Q	12AX 111PT50	SEAL, Sponge Rubber 5/16 x 1/2 Bunk Vent (50' Bulk-Item 25" Req.)	2
Q-1	104AX 79	BUMPER, Cab Bunk Vent Rubber	4
Q-2	73AX 67	KNOB, Cab Bunk Vent	2
		Attaching Parts:	
Q-3		SCREW, machine rd. Phillips hd. #8-32 NC x 5/16 (130AX 202)	2
T	32QMA 447	BRACKET & STEP COMPLETE, Cab Rear L.H.	1
T-1	32QMA 446	BRACKET & STEP COMPLETE, Cab Rear R.H.	1
		Includes:	
U	32QM 3111	BRACKET, Cab Rear Step L.H.	1
U-1	32QM 3112	BRACKET, Cab Rear Step R.H.	1
		Attaching Parts:	
V	103AX 84	SCREW, Tensile Lock	8
V-1	21AX 761	NUT, Tensile Lock	8
SECTION 9S - 3QSA 4125P10 Same as 3QSA 4125P1 (Section 9A) Except			
H	6MF 519P2	GRILLE, Radiator (Chrome)	1
SECTION 9T - 3QSA 4125P11 Same as 3QSA 4125P1 (Section 9A) Except			
C	84QSA 38P2	CAB REAR WINDOW MOUNTING ARRANGEMENT (See Group 15AR, Section 15)	1
D	6QSA 499P3	CAB BACK OUTER LOWER CENTER PANEL ARRANGEMENT (See Group 15AR, Section 7)	1
G	9RUA 431BP2	ENGINE TUNNEL INSULATION MOUNTING ARRANGEMENT (See Group 15AJ, Section 7)	1
H	6MF 519P2	GRILLE, Radiator (Chrome)	1
M Thru N-3	Omit		
P	2QX 334P1	SEAL, Storage Compartment Door	1
P-1	2QX 334P2	SEAL, Tool Compartment Door	1
P-2	104AX 85	BUMPER, Oil Filler Door	1
		Attaching Parts:	
P-3		SCREW, machine rd. Phillips hd. #6-32 NC x 5/8 (130AX 190)	1
P-4		NUT, hex. stl. #6-32 NC (53AX 25)	1
P-5		WASHER, Lock, #6 I.D. (36AX 20)	1
Q	12AX 111PT50	SEAL, Sponge Rubber 5/16 x 1/2 Bunk Vent (50' Bulk-25" Req.)	2
Q-1	104AX 79	BUMPER, Cab Bunk Vent Rubber	4
Q-2	73AX 67	KNOB, Cab Bunk Vent	2
		Attaching Parts:	
Q-3		SCREW, machine rd. Phillips hd. #8-32 NC x 5/16 (130AX 202)	2
T	32QMA 447	BRACKET & STEP COMPLETE, Cab Rear L.H.	1
T-1	32QMA 446	BRACKET & STEP COMPLETE, Cab Rear R.H.	1
		Includes:	
U	32QM 3111	BRACKET, Cab Rear Step L.H.	1
U-1	32QM 3112	BRACKET, Cab Rear Step R.H.	1

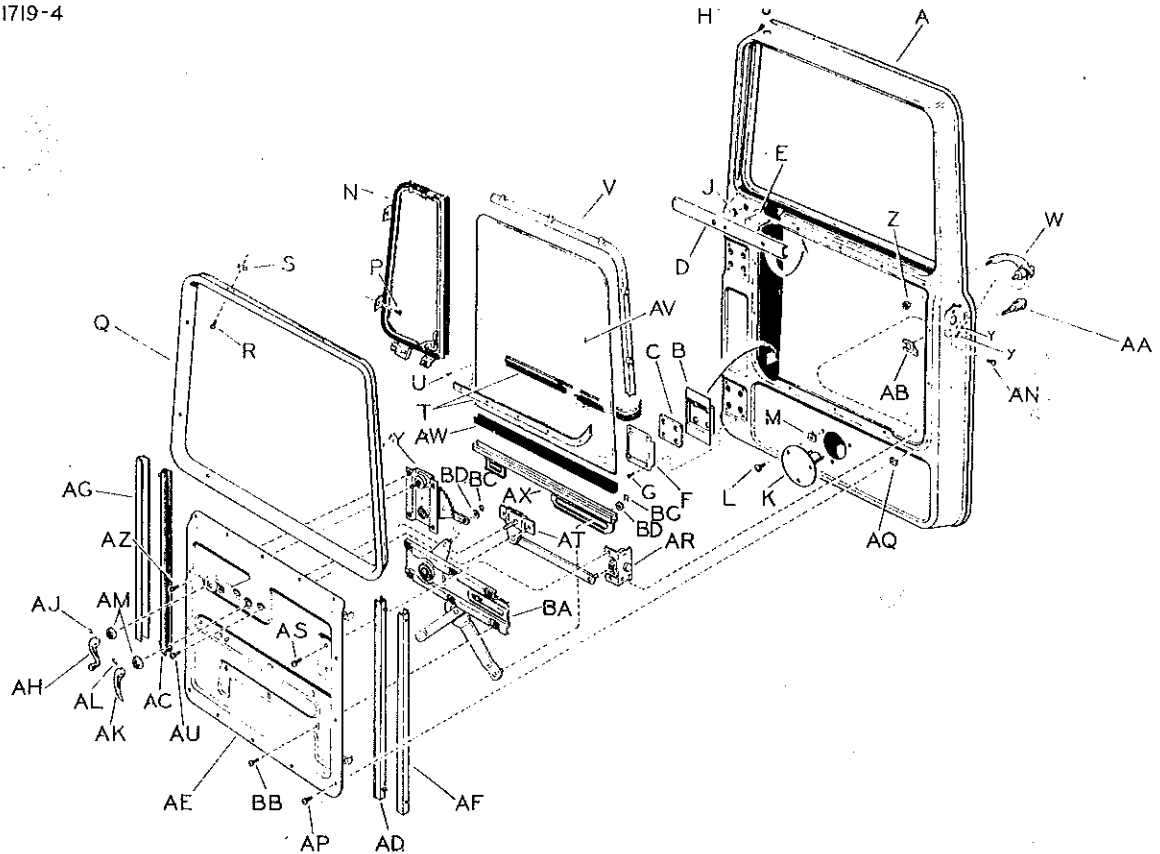
KEY	PART NUMBER	DESCRIPTION	NO. REQ.
<u>SECTION 9T - 3QSA 4125P11(Cont.)</u>			
V	103AX 84	Attaching Parts: SCREW, Tensile Lock	8
V-1	21AX 761	NUT, Tensile Lock	8
<u>SECTION 9U - 3QSA 4125P12</u> Same as 3QSA 4125P1(Section 9A)Except			
C	84QSA 38P2	CAB REAR WINDOW MOUNTING ARRANGEMENT (See Group 15AR, Section 15)	1
D	6QSA 499P4	CAB BACK OUTER LOWER CENTER PANEL ARRANGEMENT (See Group 15AR, Section 80)	1
E	27RUA 411P2	ORNAMENT & EXTERIOR TRIM MOUNTING ARRANGEMENT (See Group 15Y, Section 5)	1
G	9RUA 431BP3	ENGINE TUNNEL INSULATION MOUNTING ARRANGEMENT (See Group 15AJ, Section 2)	1
H	6MP 519P2	GRILLE, Radiator (Chrome)	1
M	Omit		
Thru			
N-3			
P	2QX 334P1	SEAL, Storage Compartment Door	1
P-1	2QX 334P2	SEAL, Tool Compartment Door	1
P-2	104AX 85	BUMPER, Oil Filler Door	1
P-3		Attaching Parts: SCREW, machine rd. Phillips hd. #6-32 NC x 5/8(130AX 190)	1
P-4		NUT, hex. stl. #6-32 NC (53AX 25)	1
P-5		WASHER, Lock, #6 I.D.(36AX 20)	1
Q	12AX 111FT50	SEAL, Sponge Rubber 5/16 x 1/2 Bunk Vent(50' Bulk-Item 25"Req.)	2
Q-1	104AX 79	BUMPER, Cab Bunk Vent Rubber	4
Q-2	73AX 67	KNOB, Cab Bunk Vent	2
Q-3		Attaching Parts: SCREW, machine rd. Phillips hd. #8-32 NC x 5/16(130AX 202)	2
T	32QMA 447	BRACKET & STEP COMPLETE, Cab Rear L.H.	1
T-1	3 2QMA 446	BRACKET & STEP COMPLETE, Cab Rear R.H.	1
U	32QM 3111	Includes: BRACKET, Cab Rear Step L.H.	1
U-1	32QM 3112	BRACKET, Cab Rear Step R.H.	1
V	103AX 84	Attaching Parts: SCREW, Tensile Lock	8
V-1	21AX 761	NUT, Tensile Lock	8
<u>SECTION 9V - 3QSA 4125P13</u> Same as 3QSA 4125P1(Section 9A)Except			
C	84QSA 38P3	CAB REAR WINDOW MOUNTING ARRANGEMENT (See Group 15AR, Section 15)	1
D	6QSA 499P3	CAB BACK OUTER LOWER CENTER PANEL ARRANGEMENT (See Group 15AR, Section 7)	1
G	9RUA 431BP2	ENGINE TUNNEL INSULATION MOUNTING ARRANGEMENT (See Group 15AJ, Section 7)	1
H	6MP 519P2	GRILLE, Radiator (Chrome)	1
M	Omit		
Thru			
N-3			
P	2QX 334P1	SEAL, Storage Compartment Door	1
P-1	2QX 334P2	SEAL, Tool Compartment Door	1
P-2	104AX 85	BUMPER, Oil Filler Door	1
P-3		Attaching Parts: SCREW, machine rd. Phillips hd. #6-32 NC x 5/8(130AX 190)	1
P-4		NUT, hex. stl. #6-32 NC (53AX 25)	1
P-5		WASHER, Lock, #6 I.D.(36AX 20)	1
Q	12AX 111FT50	SEAL, Sponge Rubber 5/16 x 1/2 Bunk Vent(50' Bulk-Item 25"Req.)	2
Q-1	104AX 79	BUMPER, Cab Bunk Vent Rubber	4
Q-2	73AX 67	KNOB, Cab Bunk Vent	2
Q-3		Attaching Parts: SCREW, machine rd. Phillips hd. #8-32 NC x 5/16 (130AX 202)	2



Quantity used is 1 unless otherwise specified in brackets ( ).

KEY PART NUMBER DESCRIPTION KEY PART NUMBER DESCRIPTION

31-1719-4



31-17

31QSA 177 RH  
SECTION 10A - 31QSA 178 LH  
F, R, Model & U Model RH

A	31QS 596	DOOR COMP, (Dr-in-White)(RH)	T	35RU 223	WEATHERSTRIP, Window (LH In or RH Out)
A	31QS 597P1	DOOR COMP, (Dr-in-White)(LH) Each Includes:	U	131AX 81	Att Parts: SCREW, #6-18 x 3/8 (6)
A-1	Not Used		V	35RU 43	CHANNEL COMP, Dr Window RH
B	48RU 2150	RETAINER, Dr Hge Mtg Plate(2)	V	35RU 44	CHANNEL COMP, Dr Window LH
C	71RU 11904	PLATE COMP, Dr Hge Mtg(2)	W	55QS 32	HANDLE, Dr Out Att Parts: SCREW, #10-24 NC x 3/4
D	180QS 2129	REINFORCEMENT COMP, Dr In Belt RH	X	130AX 225	WASHER, Lock
D	180QS 2130	REINFORCEMENT COMP, Dr In Belt LH Each Includes: BRACKET	Y	35AX 243	NUT
E	73RU 11650		Z	21AX 479	LOCK CYLINDER KIT, Dr & Ign (Kit includes two Dr Lock Cyl Assy and one Ign Sw Lk Cyl Comp with two keys)
F	Not Used		AA	34RC 1106	CLIP, Lk Cyl Ret
G	Not Used		AB	48RU 1267	PANEL ASSY, Dr In Cont RH
H	49AX 108	PLUG, Vent Window Up	-	5QX 560P1	PANEL ASSY, Dr In Cont LH Each Includes:
J	49AX 33	PLUG, Vent Window Low	AC	35RU 215P4	WEATHERSTRIP, Win Low Frt
K	83RU 27	COVER COMP, Dr Glass Stop Att Parts:	AD	35RU 215P4	WEATHERSTRIP, Dr Win Low Rr
L	400AX 21	FASTENER, Screw & Washer (3)	AE	5QX 558	PANEL COMP, Dr In RH
M	155AX 10	NUT (3)	AE	5QX 559	PANEL COMP, Dr In LH Each Includes:
N	84QS 55	WINDOW ASSY, Vent RH	AF	48RU 2153	RETAINER COMP, Glass Run Channel Rr RH
N	84QS 56	WINDOW ASSY, Vent LH (See Comp) Att Parts:	AF	48RU 2154	RETAINER COMP, Glass Run Channel Rr LH
P	133AX 106	SCREW, #8-18 x 3/8 (4)	AG	48RU 2155	RETAINER COMP, Glass Run Channel Frt RH
Q	24RU 57	MOULDING, Dr Garnish RH	AG	48RU 2156	RETAINER COMP, Glass Run Channel Frt LH
Q	24RU 58	MOULDING, Dr Garnish LH Att Parts:			
R	131AX 171	SCREW, #8-15 x 7/8 (7)			
S	155AX 14	NUT (6)			
T	35RU 224	WEATHERSTRIP, Window (RH or LH Out)			





Quantity used is 1 unless otherwise specified in brackets ( ).

KEY	PART NUMBER	DESCRIPTION	KEY	PART NUMBER	DESCRIPTION
177 RH					
<u>SECTION 10A - 31QSA 178 LH (Cont)</u>					
AH	51QS 21	HANDLE, Win Reg			
		Att Parts:			
AJ	31AX 14	PIN			
AK	55QS 23	HANDLE, Dr Latch In			
		Att Parts:			
AL	31AX 14	PIN			
AM	5QT 15	ESCUTCHEON, Dr Latch & Win			
		Reg Hdl (2)			
		Att Parts:			
AN	130AX 82	SCREW, #12-24 NC x 1/2 (3)			
AP	400AX 21	FASTENER (14)			
AQ	155AX 10	NUT (12)			
AR	62QS 324	LATCH COMP, Dr RH			
AR	62QS 325	LATCH COMP, Dr LH			
		Att Parts:			
AS	400AX 16	FASTENER, (2)			
AT	62QS 323A	CONTROL ASSY, Dr Latch			
		Att Parts:			
AU	400AX 16	FASTENER, (2)			
AV	18QX 416	GLASS, Dr			
AW	873AX 7FT100	SEAL, Glass Ret 18"Req.			
AX	44QS 47	SUPPORT COMP, Glass RH			
AX	44QS 48	SUPPORT COMP, Glass LH			
AY	48QS 310	PLATE & GEAR COMP, Win Reg RH			
AY	48QS 311	PLATE & GEAR COMP, Win Reg LH			
		Att Parts:			
AZ	400AX 17	FASTENER, (4)			
BA	48QS 312	PLATE & ARM COMP, Win Reg RH			
BA	48QS 313	PLATE & ARM COMP, Win Reg LH			
		Att Parts:			
BB	400AX 17	FASTENER, (6)			
BC	97AX 196	CLIP, Reg Arm (3)			
		Att Parts:			
BD	35AX 1320	WASHER, (3)			
<u>SECTION 10B - 31QSA 1103 LH</u>					
"U" Model					
Same as Section 10A except					
A	31QS 597P2	DOOR COMP, (Dr in White) LH			
A-1	2QX 410	SEAL, Dr Low			



# MACK TRUCK-TRACTOR PARTS BOOK

GROUP #15AR - CAB LOWER PANEL MOUNTING ARRANGEMENT  
SECTION 12

NOTE: Key Letters Indicated on Illustration #5-1719-1.

KEY	PART NUMBER	DESCRIPTION	NO. REQ.
<u>SECTION 12A - 5QSA 418</u>			
A	5QS 524	PANEL COMPLETE, Cab Front Lower R.H. Includes:	1
B	53QY 459	PANEL, Headlamp Mounting	1
C	71RU 12031	BRACKET, R.H. Panel Mounting	1
D	103AX 84	Attaching Parts:	10
D-1		SCREW, Tensile Lock	1
D-2		SCREW, cap, hex.hd. 5, 16-24 NF x 5/8 (Full thd.)(1AX 120)	5
E	21AX 761	NUT, Tensile Lock	1
E-1	103AX 84	PANEL COMPLETE, Cab Front Lower Center	1
E-2	21AX 761	Attaching Parts:	2
F	5QS 525	SCREW, Tensile Lock	2
G	53QY 459	NUT, Tensile Lock	1
H	103AX 84	PANEL COMPLETE, Cab Front Lower L.H.	1
H-1	21AX 761	Includes:	12
H-2		PANEL, Headlamp Mounting	4
J	6QS 549	Attaching Parts:	1
J	6QS 550	SCREW, Tensile Lock	1
J-1	103AX 84	NUT, hex. finished 5/16-24 NF (20AX 2)	22
J-2	21AX 761	PANEL, Cab Door Skirt R.H.	22
K	73RU 3343	PANEL, Cab Door Skirt L.H.	1
K	73RU 3344	Attaching Parts:	1
L	103AX 84	SCREW, Tensile Lock	6
M	21AX 761	NUT, Tensile Lock	6

# MACK TRUCK-TRACTOR PARTS BOOK

GROUP #15AR - CAB INTERMEDIATE STEP MOUNTING ARRANGEMENT  
SECTION 13

NOTE: Key Letters Indicated on Illustration #85-1713-9.

KEY	PART NUMBER	DESCRIPTION	QTY.
		<u>SECTION 13A - 85QMA 448</u>	
A	85QM 269A	STEP, Cab Intermediate	1
B	32QM 3107	BRACKET, Cab Intermediate Step Skirt	1
C	32QM 3106	BRACKET, Cab Intermediate Step I, II	1
		Attaching Parts:	
D	103AX 87	SCREW, Tensile	2
E	32QM 3105	BRACKET, Intermediate Step R.H.	1
		Attaching Parts:	
F	103AX 87	SCREW, Tensile	2

# MACK TRUCK-TRACTOR PARTS BOOK

GROUP #15AR - CAB REAR WINDOW ARRANGEMENT  
SECTION 15

NOTE: Key Letters Indicated on Illustration #84-1719-5.

KEY	PART NUMBER	DESCRIPTION	NO. REQ.
<u>SECTION 15A - 84QSA 38P1</u>			
A	20QS 49	GLASS, Cab Rear Window Clear	1
B	842AXA	MOULDING, Cab Rear Window Glass Retaining 119"L.	1
C	812AXA	FILLER, Cab Rear Window Glass Retaining Moulding 119"L.	1
<u>SECTION 15B - 84QSA 38P2</u> Same as 84QSA 38P1 (Section 15A) Except			
A	20QS 410	GLASS, Cab Rear Window Clear	1
B	842AXA	MOULDING, Cab Rear Window Glass Retaining 128"L.	1
C	812AXA	FILLER, Cab Rear Window Glass Retaining Moulding 128"L.	1
<u>SECTION 15C - 84QSA 38P3</u> Same as 84QSA 38P1 (Section 15A) Except			
A	53QY 393	PANEL COMPLETE, Rear Window Closure	1
B	842AXA	MOULDING, Cab Rear Window Closure Panel Retaining 128"L.	1
C	812AXA	FILLER, Cab Rear Window Closure Panel Retaining Moulding 128"L.	1
<u>SECTION 15D - 84QSA 113</u> Same as 84QSA 38P1 (Section 15A) Except			
A	84QS 112	WINDOW KIT, Rear Sliding	1

Illustration #45-1319-7.

KEY	PART NUMBER	DESCRIPTION	NO. REQ.
<u>SECTION 19A - 45MSA 511</u>			
A	58RU 437	COVER, Auxiliary Instrument & Control Panel	1
B		Attaching Parts: SCREW, thd. cutting Shakeproof type #1, rd. Phillips hd. #8-32 x 3/8 (239AX 133)	8
C	37QR 5104	PANEL, Auxiliary Instrument & Control	1
C-1	58RU 3149	COVER, Auxiliary Instrument & Control Panel	1
D		Attaching Parts: SCREW, machine rd. Phillips hd. #8-32 NC x 3/8(130AX 203)	3
D-1		NUT, hex. stl. #8-32 NC (53AX 2)	3
D-2		WASHER, Lock, #8 I.D.(36AX 16)	3
E		SCREW, thd. cutting Shakeproof type #1, rd. Phillips hd. #8-32 x 3/8 (239AX 133)	12
F	73RU 21702	PLATE, Auxiliary Control Panel	1
F-1	58RU 3148	COVER, Auxiliary Control Panel Plate	1
G		Attaching Parts: SCREW, machine rd. Phillips hd. #8-32 NC x 3/8(130AX 203)	1
G-1		NUT, hex. stl. #8-32 NC (53AX 2)	1
G-2		WASHER, Lock, #8 I.D.(36AX 16)	1
H		SCREW, thd. cutting Shakeproof type #1, rd. Phillips hd. #8-32 x 3/8 (239AX 133)	1
J	4MR 2124P36	PLATE, Low Air Pressure Name	1
K	4MR 2124P37	PLATE, Dash Lamp Name	1
M		Attaching Parts: SCREW, tapping type B, rd. Phillips hd. #6-20 x 1/4 (133AX 88)	6
N	27RU 1268	PLATE, Instruction Name	1
P		Attaching Parts: SCREW, machine rd. Phillips hd. #4-40 NC x 1/4(130AX 172)	2
P-1		NUT, hex. stl. #4-40 NC (53AX 23)	2
P-2		WASHER, Lock, #4 I.D.(36AX 70)	2
Q	68MO 18	LAMP, Dash	2
R	51MS 25	GAUGE, Charginicator	1
S		Attaching Parts: SCREW, machine oval Phillips hd. #4-40 NC x 1/2(130AX 309)	3
S-1		NUT, hex. stl. #4-40 NC (53AX 23)	3
S-2		WASHER, Lock, #4 I.D.(36AX 70)	3
T	36MO 216P1	LAMP, Low Air Pressure Indicator	1
U		Attaching Parts: SCREW, machine rd. Phillips hd. #10-32 NF x 3/4(130AX 804)	2
U-1	21AX 479	NUT (#10-32 NF)	2
V	1MR 1263	SWITCH, Toggle	1
W	27RU 1560	PLATE, Toggle Switch On-Off Name	1
X	1MR 2166	SWITCH, Warning Light	1
Y	36MOA 33P17	LAMP, Door Open	1
Y-1	46MO 23P15	FLASHER, Door Open Lamp	1
Z	41MR 2529	HARNES, Dash Lamp Wiring	1
Z-1	41MO 31P1	BULB, Dash Lamp Wiring Harness	1
AA	1MT 125A	GAUGE, Oil Pressure	1
AB	3MT 224	GAUGE, Oil Temperature	1
AB-1	64MT 122	SENDING UNIT, Oil Temperature Gauge	1
AC	36MO 35P4	LAMP, Auxiliary Brake Warning	1
AD	4MR 1136	PLATE, Auxiliary Brake Warning Lamp Name	1

2/2/65

ejm-mes

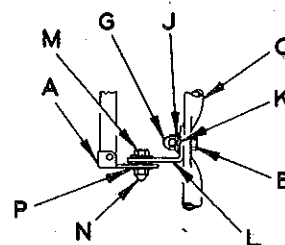
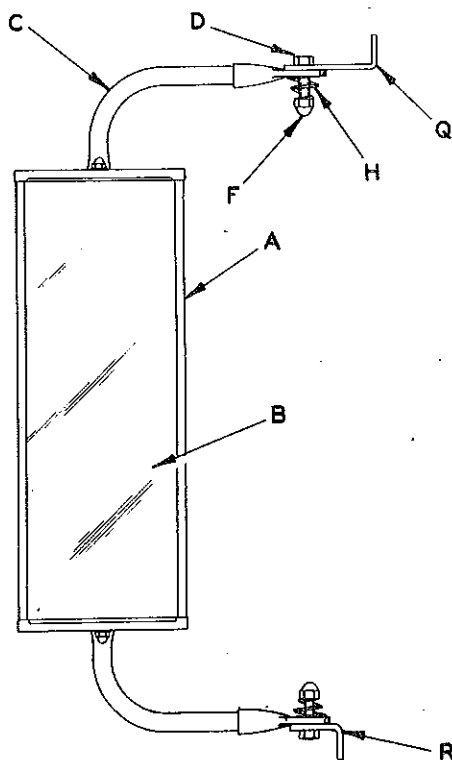


**MACK CHASSIS NUMBER** must always be given with **PART NUMBER** when ordering.

**COMPONENT PARTS**

72QS 1168  
MIRROR KIT (R.H. & L.H.)

72-1719-21



KEY	PART NUMBER	DESCRIPTION	NO. REQ.
A	7280 158K	HEAD ASSEMBLY, Mirror Each Includes:	2
B	7280 158K1	GLASS	1
C	7280 CR159WH	LOOP DETENT ASSEMBLY Attaching Parts:	2
D	7280 160SS	SCREW, cap, hex. 3/8-16 x 1-1/4	4
E	7280 158-15	SCREW, cap, 1/4-28 x 3/4	4
F	7280 158J1	NUT, Acorn, 3/8-16 (Alum)	4
G	7280 158-14	NUT, Acorn, 1/4-28	4
H	7280 1601C	SPRING	4
J	7280 158-5	WASHER, Lock, 1/4 I.D.	4
K	7280 158-4	WASHER, Flat 1/4 I.D.	4
L	7280 CREX160J	BRACKET, Mirror Head Mounting Attaching Parts:	4
M	7280 158-31	SCREW, cap, 1/4-20 x 1/2	4
N	7280 158-9	NUT, Acorn 1/4-20 (Alum)	4
P	7280 158-10	WASHER, Lock, Int.-Ext. 1/4 x 3/4	12
Q	7280 CR159MK1A	BRACKET, Mounting (Upper)	2
R	7280 CR159MK1B	BRACKET, Mounting (Lower)	2

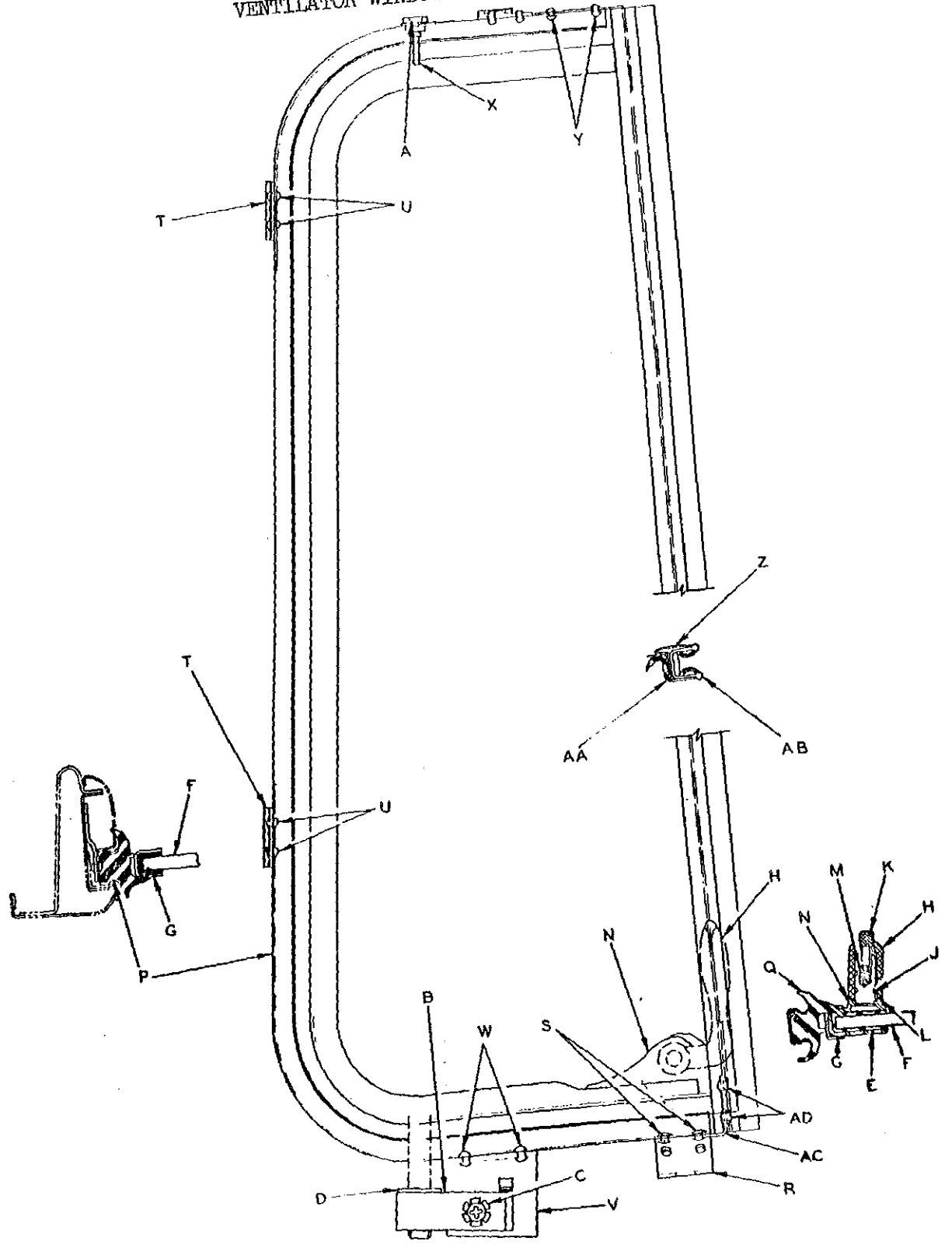
IK

MACK CHASSIS NUMBER must always be given with PART NUMBER when ordering.

# COMPONENT PARTS

84QS 55 (R.H.)  
84QS 56 (L.H.)  
VENTILATOR WINDOW

84-1719-4



#1-3

6/21/62 mes-br

MACK CHASSIS NUMBER must always be given with PART NUMBER when ordering.

COMPONENT PARTS

84QS 55 (R.H.)  
84QS 56 (L.H.)

VENTILATOR WINDOW

KEY	PART NUMBER	DESCRIPTION	NO. REQ.
A	2795 274-000767	SCREW, Top Pivot	1
B	2795 A140-3	SPRING & PLUG ASSEMBLY, Tension	1
-	2795 226-000710	Includes: SPRING, Tension	1
C	2795 272-000352	Attaching Parts: SCREW	1
D	2795 A291-4	WASHER, Thrust	1
E	2795 150-000574	EVERSEAL, (30"L.)	1
F	2795 091-002127	GLASS, (Clear)	1
G	2795 B579-6R	FRAME SUB ASSEMBLY, Wing (R.H.)	1
G	2795 B579-6L	FRAME SUB ASSEMBLY, Wing (L.H.)	1
H	2795 B579-17R	Each Includes: HANDLE & STUD BRACKET ASSEMBLY, (R.H.)	1
H	2795 B579-17L	HANDLE & STUD BRACKET ASSEMBLY, (L.H.)	1
J	2795 202-000919	Each Includes: PIN, Groove	1
K	2795 180-000788	BUTTON, Handle	1
L	2795 255-000754	WASHER, Wave	1
M	2795 225-000701	SPRING	1
N	2795 A927-39R	STUD & BRACKET ASSEMBLY, (R.H.)	1
N	2795 A927-39L	STUD & BRACKET ASSEMBLY, (L.H.)	1
-	2795 280-000280	Attaching Parts: RIVET	2
P	2795 B579-9R	FRAME ASSEMBLY, Cradle (R.H.)	2
P	2795 B579-9L	FRAME ASSEMBLY, Cradle (L.H.)	1
Q	2795 120-002137R-8L	Includes: WEATHERSTRIP, Rubber	1
R	2795 B579-15	BRACKET, Lower Attaching	1
S	2795 280-000282	Attaching Parts: RIVET	2
T	2795 B579-14	BRACKET, Mounting	3
U	2795 280-000275	Attaching Parts: RIVET	6
V	2795 B579-10R	BRACKET, Tension Spring (R.H.)	1
V	2795 B579-10L	BRACKET, Tension Spring (L.H.)	1
W	2795 280-000279	Attaching Parts: RIVET	2
X	2795 220-000655	SLEEVE, Upper Pivot	1
Y	2795 280-000275	Attaching Parts: RIVET	2
			1

MACK CHASSIS NUMBER must always be given with PART NUMBER when ordering.

COMPONENT PARTS

84QS 55 (R.H.)  
 84QS 56 (L.H.)  
 VENTILATOR WINDOW

KEY	PART NUMBER	DESCRIPTION	NO. REQ.
Z	2795 B579-11R	BAR ASSEMBLY, Division (R.H.)	1
Z	2795 B579-11L	BAR ASSEMBLY, Division (L.H.)	1
AA	2795 121-002140	Includes: POST, Pillar Attaching Parts:	1
-	2795 280-000266	RIVET	4
AB	2795 170-002139	CHANNEL, Run	1
AC	2795 B579-12R	ANGLE, Lower Attachment (R.H.)	1
AC	2795 B579-12L	ANGLE, Lower Attachment (L.H.) Attaching Parts:	1
AD	2795 280-000276	RIVET	2



THIS REPLACES ALL COPIES DATED PRIOR TO JUNE 19, 1964.

**MACK CHASSIS NUMBER** must always be given with **PART NUMBER** when ordering.

**COMPONENT PARTS**

33QT 357 (R.H.)  
 33QT 358 (L.H.) Drivers Side)  
 WINDSHIELD WIPER MOTOR ASSEMBLY

KEY	PART NUMBER	DESCRIPTION	NO. REQ.
A	8274 F-1548-7	CYLINDER ASSEMBLY (R.H.)	1
A	8274 F-1544-7	CYLINDER ASSEMBLY (L.H.)	1
B	8274 F-1564-10	PISTON ASSEMBLY (R.H. & L.H.)	1
		Includes:	
C	8274 F-1506-3	HEAD, Piston	1
D	8274 82963-14	SCREW & LOCKWASHER	1
E	8274 F-1514-10	STOP, Valve	1
F	8274 F-1504	PACKING, Piston	1
G	8274 F-1279-1	PLT, Piston	1
H	35QT 115	CONNECTION, Hose	3
J	8274 1254	ELBOW	3
K	8274 84505-9	SEAL, "O" Ring	1
L	8274 F-1513-9	SCREW, Stop	1
		Attaching Parts:	
M	8274 2498M	NUT, hex.	1
N	8274 F-1517	COVER	1
		Attaching Parts:	
P	8274 2608-7-R	RIVET	1
Q	8274 75704-15J	SILENCER, Exhaust	1
R	8274 F-1510-2	HEAD ASSEMBLY, Valve	1
		Attaching Parts:	
S	8274 F-1518	GASKET	1
T	8274 88210-14-J	SCREW	6
U	8274 F-1507-1	CAP ASSEMBLY, End	1
		Attaching Parts:	
V	8274 F-1518	GASKET	1
W	8274 88210-14-J	SCREW	6
X	8274 F-1568-13-J	SHAFT & PINION ASSEMBLY (R.H.)	1
X	8274 F-1568-12-J	SHAFT & PINION ASSEMBLY (L.H.)	1
		Each Includes:	
Y	8274 F-1595-1J	SHAFT & CONNECTING ARM	1
Z	8274 F-1519	BEARING, Shaft	2
AA	8274 F-1164-5J	BUSHING	1
AB	8274 88035-2J	NUT	1
AC	8274 F-1502-1	COVER, Top	1
		Attaching Parts:	
AD	8274 F-1503	GASKET	1
AE	8274 82481-16J	SCREW	4
AF	8274 F-1366-5J	BRACKET, Mounting (R.H.)	1
AF	8274 F-1366-4J	PLATE, Mounting (L.H.)	1
		Attaching Parts:	
AG	8274 89384-14J	SCREW, hex. hd. machine #12-24	4
AH	8274 2328-16J	WASHER, Lock	4

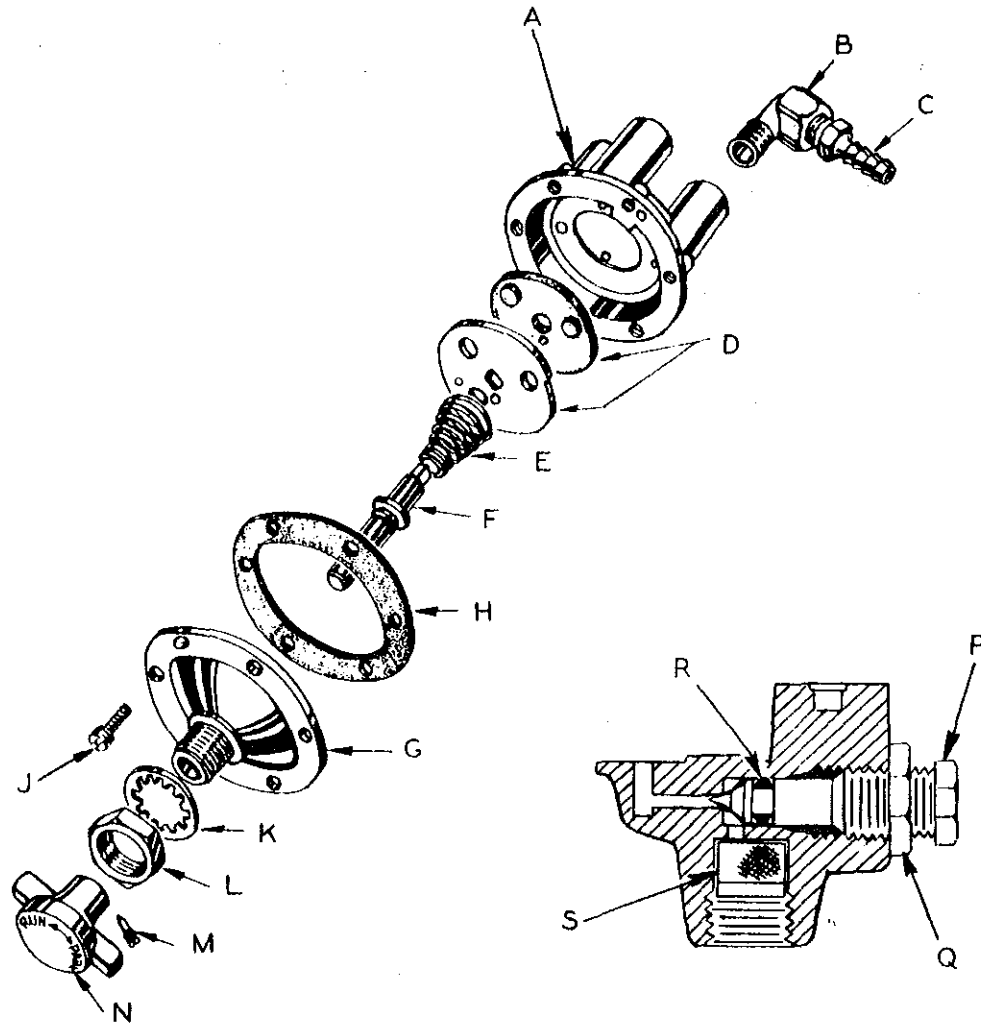
MACK CHASSIS NUMBER must always be given with PART NUMBER when ordering.

### COMPONENT PARTS

35QT 27P1, P2, P3 & P4

### WINDSHIELD WIPER CONTROL VALVE ASSEMBLY

35-1720-6



KEY	PART NUMBER	DESCRIPTION	REQ'D. NO.
A	8274 F-1551-3	BODY, Control	1
B	8274 1254	ELL, Street	AR
C	35QT 115	CONNECTION, Hose	AR
D	8274 JF-1553-3J	VALVE & VALVE PLATE	1
E	8274 F-1443-J	SPRING, Conical	1
F	8274 F-1440-2	SHAFT & LEVER ASSEMBLY	1
G	8274 F-1552-1	COVER	1
Attaching Parts:			
H	8274 F-1555	GASKET	1
J	8274 87591-14J	SCREW	6
K	8274 2397-10J	WASHER, Locking	1
L	8274 F-1343-C	NUT, Hex	1

Key Letters (B & C) Determines "P" Number Variation.

WACK CHASSIS NUMBER must always be given with PART NUMBER when ordering.

### COMPONENT PARTS

35QT 27P1, P2, P3 & P4  
WINDSHIELD WIPER CONTROL VALVE ASSEMBLY (Cont.)

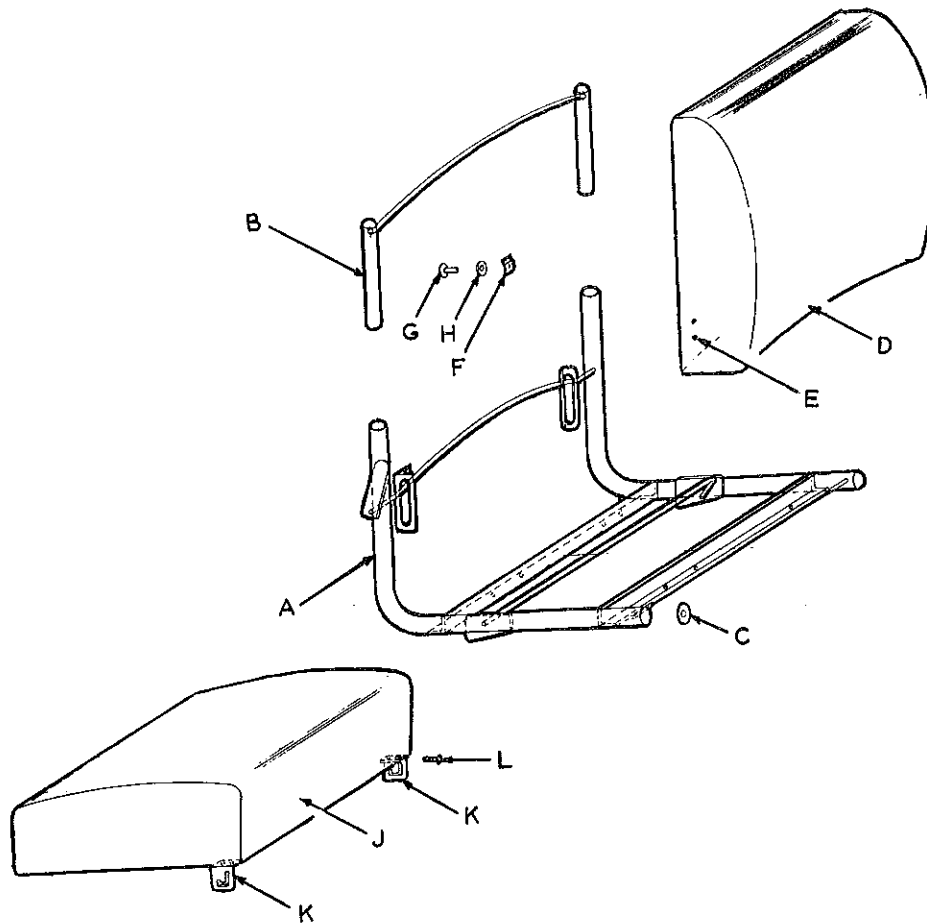
KEY	PART NUMBER	DESCRIPTION	NO. REQ.
M	8274 F-105-10J	SCREW, Set	1
N	8274 82415-3C	KNOB, Control	1
P	8274 F-1435-1	VALVE, Needle	1
		Attaching Parts:	
Q	8274 2498-M	NUT, Hex.	1
R	8274 84505-9	SEAL, "O" Ring	1
S	8274 85239	SCREEN, Air	1



COMPONENT PARTS

70QWA 433P1,P2,AP1, AP2 & AP3  
DRIVERS SEAT ASSEMBLY

70-1723-29



This Supersedes all copies dated prior to 1/9/64

KEY	PART NUMBER	DESCRIPTION	NO. REQ.
A	3330 4015	FRAME ASSEMBLY, Tubular	1
B	3330 4085	ROD ASSEMBLY, Back Pivot	1
C	37AX 313	SPACER, Cushion	2
D	68QS 48	CUSHION ASSEMBLY, Back (For P1 & P2 Only)	1
D	68QS 48A	CUSHION ASSEMBLY, Back (For AP1, AP2 & AP3 Only)	1
-		Includes:	
-		SCREW, Wood Flat Phillips hd. #4 x 1/2 (132AX 20)	5
E		SCREW, Machine, flat Phillips hd. 1/4-20 NC x 1/2 Back Adjusting Bracket (130AX 98)	4
F	13QS 119	BRACKET, Back Pivot	2
-		Attaching Parts:	
G		SCREW, Machine rd. Phillips hd. 1/4-20 NC x 3/4 (130AX 258)	2
H	35AX 180	WASHER, Lock	2
J	66QS 3181	CUSHION ASSEMBLY, Seat (For P1, P2 & AP3 Only)	1
J	61QS 3182	CUSHION ASSEMBLY, Seat (For AP1 & AP2 Only)	1
-		Includes:	
-	73QX 17	NUT, Tee (1/4-20 NC)	4
K	69QS 125	ADJUSTER, Seat Cushion(R.H.)	1
K	69QS 126	ADJUSTER, Seat Cushion(L.H.)	1
-		Attaching Parts:	
L		SCREW, Machine rd. Phillips hd. 1/4-20 NC x 3/4 (130AX 258)	4
-	35AX 180	WASHER, Lock	4

1/9/64 sr aj

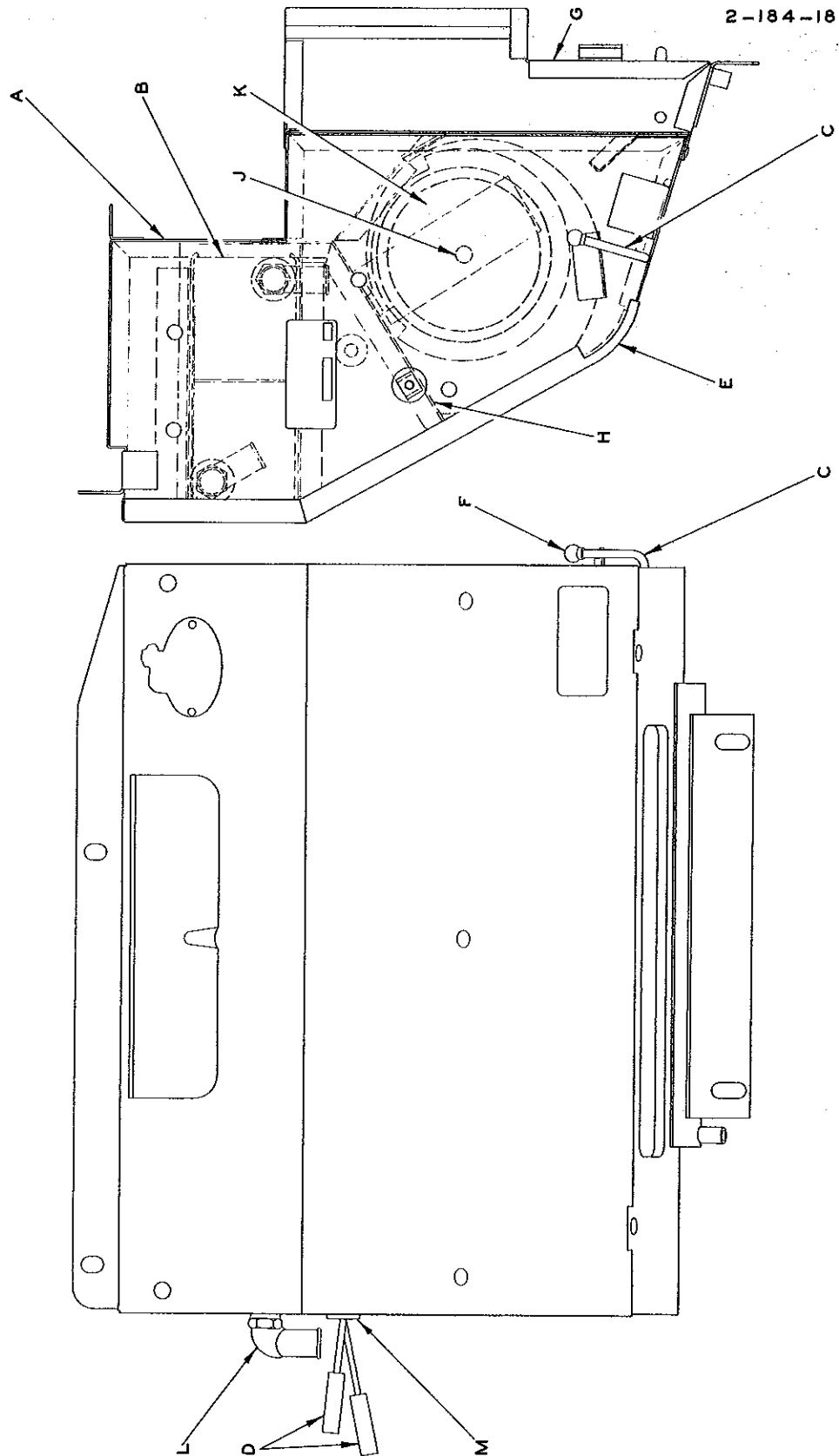
PAGE 1 OF 1

MACK CHASSIS NUMBER MUST ALWAYS BE GIVEN WITH PART NUMBER WHEN ORDERING.

MACK CHASSIS NUMBER must always be given with PART NUMBER when ordering.

### COMPONENT PARTS

2RDA 521  
HEATER ASSEMBLY



2/9/65 sr-mes

#1-2

COMPONENT PARTS

2RDA 521  
HEATER ASSEMBLY(cont.)

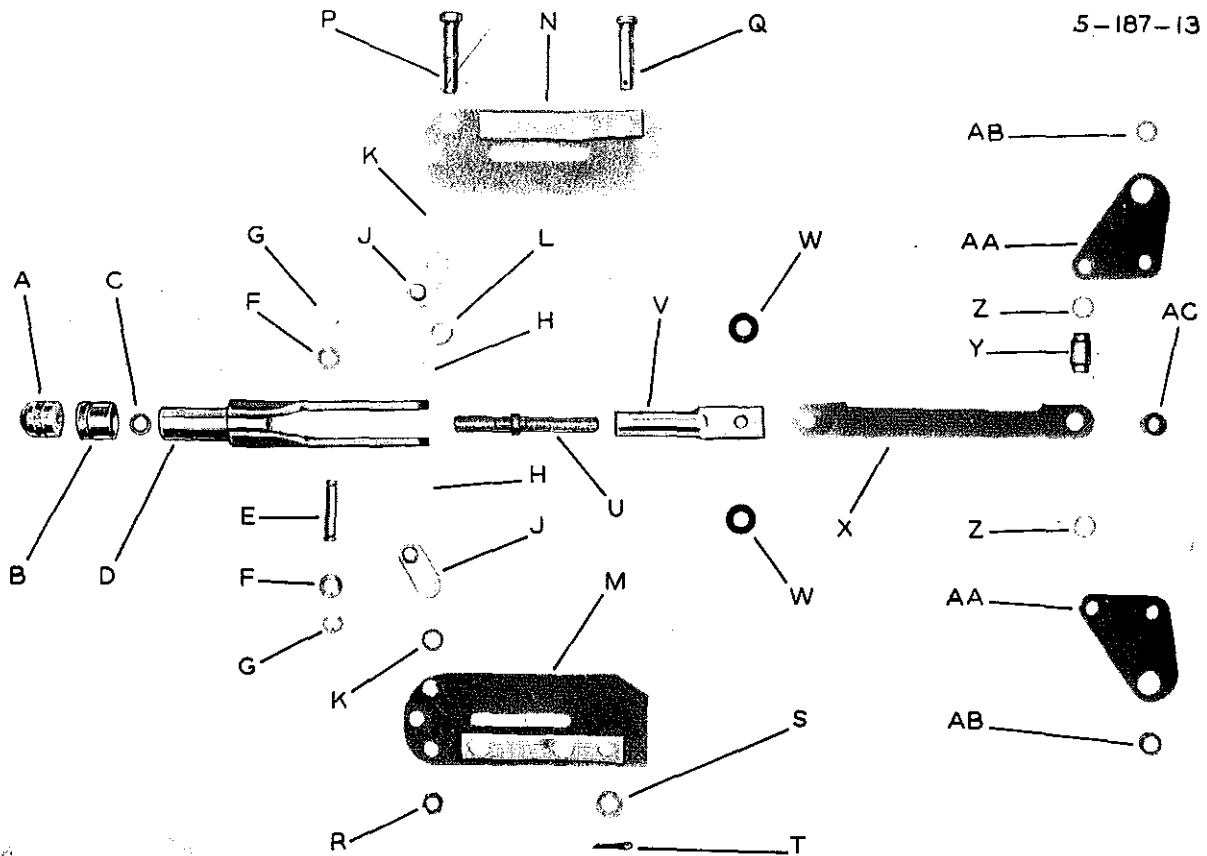
KEY	PART NUMBER	DESCRIPTION	NO. REQ.
A	2790 HV-211161	CASE ASSEMBLY	1
B	2790 HV-24003	CORE	1
C	2790 HV-211162	SHUTTER ASSEMBLY	1
-	2790 HV-24344	BRACKET, Shutter	2
D	2790 HV-20658	CONNECTOR, Bullet (Hi Speed Orange lo Speed Red)	2
E	2790 HV-211164	COVER ASSEMBLY, Front	1
F	2790 HV-14829	KNOB	1
-	2790 HV-23388	SPRING, Outside Cover (Bend at one end)	1
G	2790 HV-211183	HOUSING ASSEMBLY, Intake	1
H	2790 HV-211163	MOTOR, PLATE & BLOWER ASSEMBLY Includes: MOTOR (Shaft both ends)	1
J	2790 HV-23561	WHEEL, Blower (Double Inlet)	1
K	2790 HV-23563	ELBOW	2
L	2790 HV-19988	GROMMET	1
M	2790 EH-5840		

2/9/65 sr-mes

# COMPONENT PARTS

5RG 373  
CAB LOCK LEVER

5-187-13



KEY	PART NUMBER	DESCRIPTION	NO. REQ.
A	6126 585	CAP, Adjusting Knob	1
B	6126 586	BASE, Adjusting Knob	1
C	6126 724	"O" RING	1
D	6126 1813143A	BODY ASSEMBLY, Lever	1
E	6126 1852	PIN, Lever	1
F	441SH 105	Attaching Parts: WASHER, Flat	2
G	342SH 109	"E" WASHER	2
H	6126 420	WASHER, Spring	2
J	6126 195B1280	BRACKET ASSEMBLY, Pivot	2
K	6126 421	SPACER, Pivot Bracket	2
L	6126 1814	SPACER, Pivot Bracket (R.H.Side)	1
M	6126 1809-R	BRACKET, Mounting (R.H.)	1
N	6126 1809-L	BRACKET, Mounting (L.H.)	1
P	6126 490	Attaching Parts: BOLT	1
Q	6126 1815	PIN	1
R	6126 399	NUT, Self Locking	1
S	6126 07	WASHER, Flat	1
T	6126 397	COTTER PIN	1
U	6126 1860	SCREW, Adjusting	1
V	6126 9851853	TUBE ASSEMBLY, Adjusting	1
W	6126 419	SPACER, Adjusting Tube	2
X	6126 1812	LINK	1
Y	6126 1671	PIN, Link	1
Z	6126 1679	SPACER, Link Pin	2
AA	6126 1680	CRANK, Bell	2
AB	6126 1786	BUSHING, Spacer	2
AC	6126 1678	SPACER, Bell Cranks	1

3/26/64 mes-sr

# MACK TRUCK-TRACTOR PARTS BOOK

## INDEX

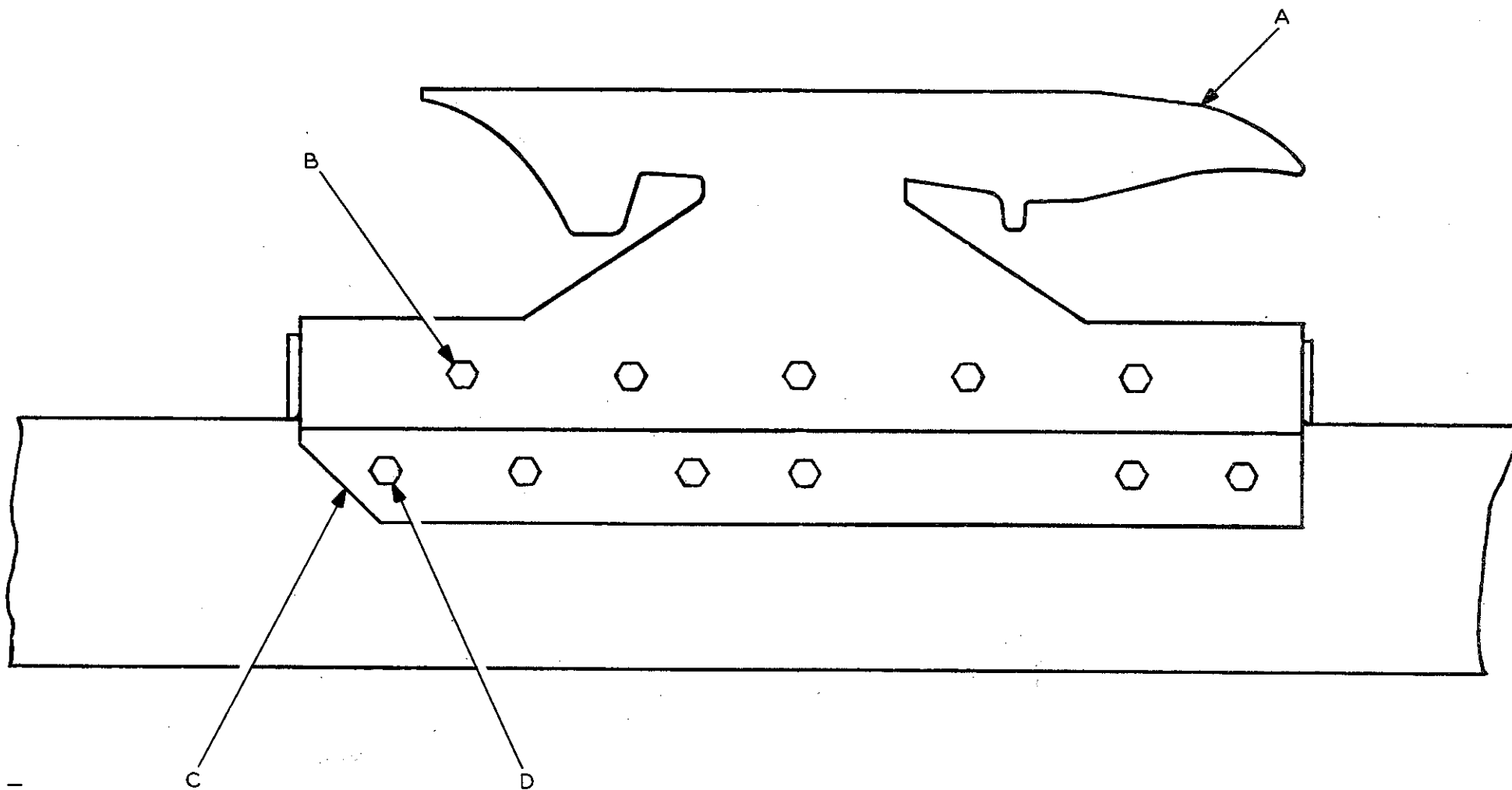
### GROUP #16 - MISCELLANEOUS

#### SPECIAL EQUIPMENT

34RC 247P3      KIT, Seat Belt (For Suction Hose Hold-Down)      4

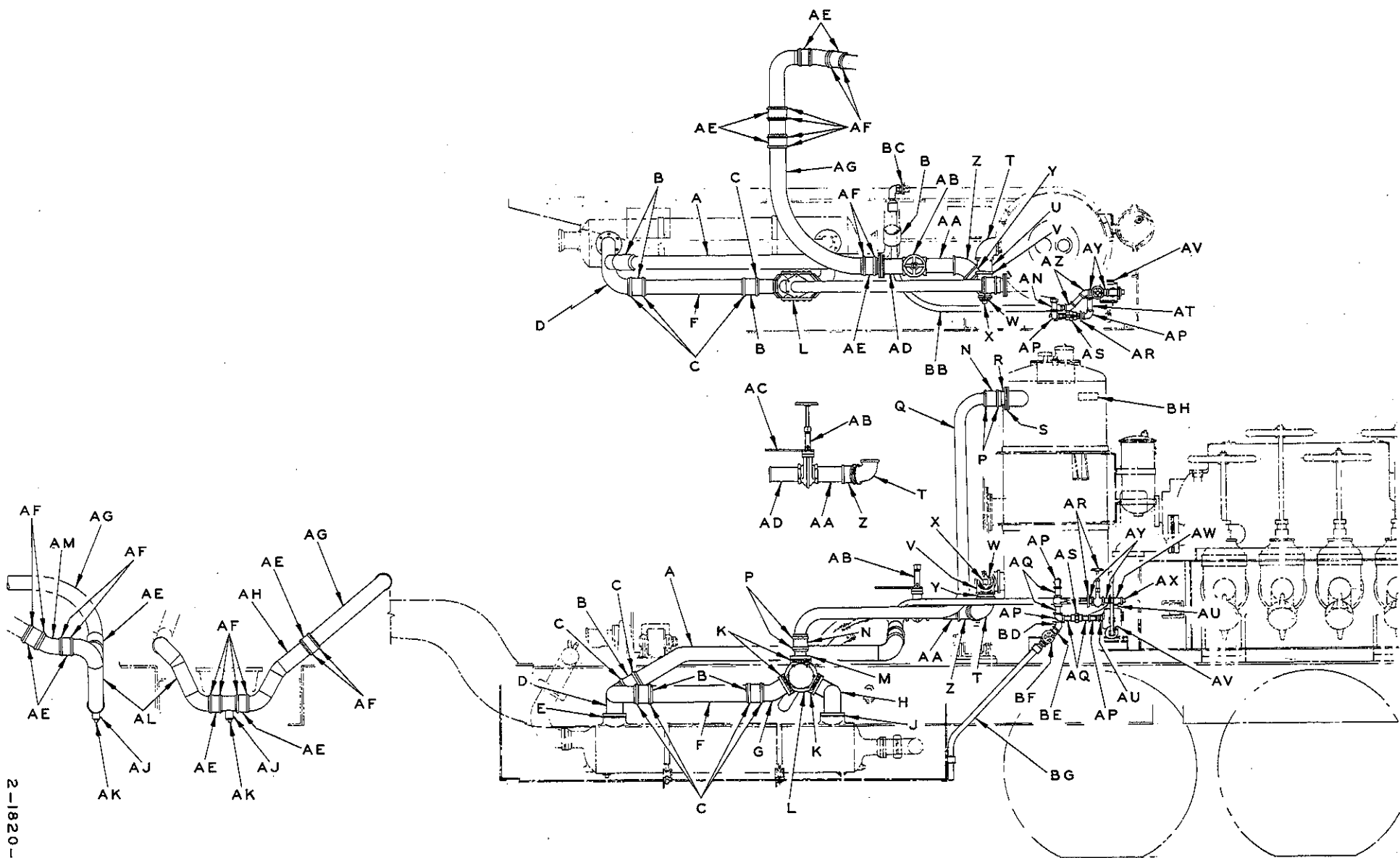
#### COMPONENTS

485GB 4158C  
2RF 159  
32RC 110



FIFTH WHEEL MOUNTING ARRANGEMENT

1-186-42



LUBRICATING OIL PIPING ARRANGEMENT

2-1820-3



TITLE LUBRICATING OIL PIPING ARRANGEMENT

ILLUSTRATION #2-1820-3

KEY	PART NUMBER	DESCRIPTION	NO. REQ.
<u>SECTION 3A - 2RTA 56</u>			
A	70RU 233	ADAPTER, Engine Outlet Line	1
B		HOSE, Neoprene 3-1/2 I.D. x 4-1/2, 15/64-9/32 Wall 3 Ply (160AX 135)	4
C	83AX 455	CLAMP, Hose	8
D	70RU 42	ADAPTER, Lubricating Oil (Outlet Line)	1
E	120MF 122	GASKET, Adapter (Outlet Line)	1
F	70RU 241	ADAPTER, Outlet Line	1
G	70RU 221	ADAPTER, Thermostat By-Pass Line	1
H	70RU 39	ADAPTER, Thermostat Cooler Line	1
H-1		Attaching Parts: SCREW, Cap 5/16-24 NF x 1-1/2 (7/8 thd.)(1AX 400)	12
H-2	21AX 314	NUT(5/16-24 NF)	12
H-3	37AX 1	WASHER, Plain	12
J	120MF 122	GASKET, Adapter	1
K	120MF 124	GASKET, Thermostat By-Pass, Cooler & Outlet Line	3
L	----	THERMOSTAT (Furnished by Napier)	1
M	70RU 219	ADAPTER, Thermostat Outlet Line	1
M-1		Attaching Parts: SCREW, Cap 5/16-24 NF x 1-1/2 (7/8 thd.)(1AX 400)	6
M-2	21AX 314	NUT, (5/16-24 NF)	6
M-3	37AX 1	WASHER, Plain	6
N		HOSE, Neoprene 3-1/2 I.D. x 4-1/2, 15/64 x 9/32 Wall 3 Ply (160AX 135)	2
P	83AX 455	CLAMP, Hose	4
Q	70RU 234	ADAPTER, Thermostat Outlet Line	1
R	70RU 227	ADAPTER, Thermostat Outlet Line (At Tank)	1
R-1		Attaching Parts: SCREW, Cap 1/2-20 NF x 1-3/4 (1-1/4"thd.)(1AX 108)	4
R-2	21AX 475	NUT(1/2-20 NF)	4
R-3	37AX 474	WASHER, Plain	4
S	120MF 127	GASKET, Adapter	1
T	63AX 1929	ELBOW, 90° (At Tank)	2
U	63AX 4012	NIPPLE, Lube Oil Service Tank Elbow	1
V	63AX 4053	TEE, Reducer	1
W	63AX 4021	REDUCER, Bushing, Reducer Tee	1
X	63AX 572	PLUG, Reducer Tee	1
Y	63AX 4079	NIPPLE, Reducer Tee	2
Z	63AX 4058	ELBOW, 45° , Lube Oil Inlet Line	1
AA	63AX 4056	NIPPLE, Gate Valve	1
AB	30RS 1378	VALVE, Gate	1
AC	4MR 2140	PLATE, Gate Valve Instruction	1
AD	70RU 224	ADAPTER, Gate Valve	1
AE		HOSE, Neoprene 3-1/2 I.D. x 4-1/2, 15/64 x 9/32 Wall, 3 Ply, (160AX 135)	6
AF	83AX 455	CLAMP, Hose	12
AG	70RU 237	ADAPTER, Lube Oil Inlet	1
AH	70RU 235	ADAPTER, Lube Oil Inlet	1
AJ	70RU 1560	ADAPTER, Lube Oil Inlet	1
AK	63AX 83	PLUG, Lube Oil Inlet Line Drain	1
AL	70RU 236	ADAPTER, Lube Oil Inlet	1
AM	70RU 1561	ADAPTER, Lube Oil Inlet	1
AN	63AX 1607	NIPPLE, Priming Pump Inlet Line	1
AP	63AX 151	ELBOW, 90°, Priming Pump Inlet Line	4
AQ	63AX 1047	NIPPLE, Priming Pump Inlet Line	4
AR	30RS 1376	VALVE, Gate	2
AS	63AX 226	UNION, Priming System Inlet Line	1
AT	63AX 3236	NIPPLE, Priming System Inlet Line	1
AU	92RU 261P10	FITTING, Pump Inlet & Outlet Line	2
AU-1	60AX 38	GASKET, Pump Inlet & Outlet Line Fitting	2
AV	---	PUMP, Priming (Furnished by Napier)	AR
AV-1	71RU 12326	REINFORCEMENT, Pump Mounting	2
AV-2		Attaching Parts: SCREW, Cap 3/8-24 NF x 1-3/4 (1"thd.)(1AX 38)	4
AV-3		NUT, Hex. 3/8-24 NF (20AX 3)	4





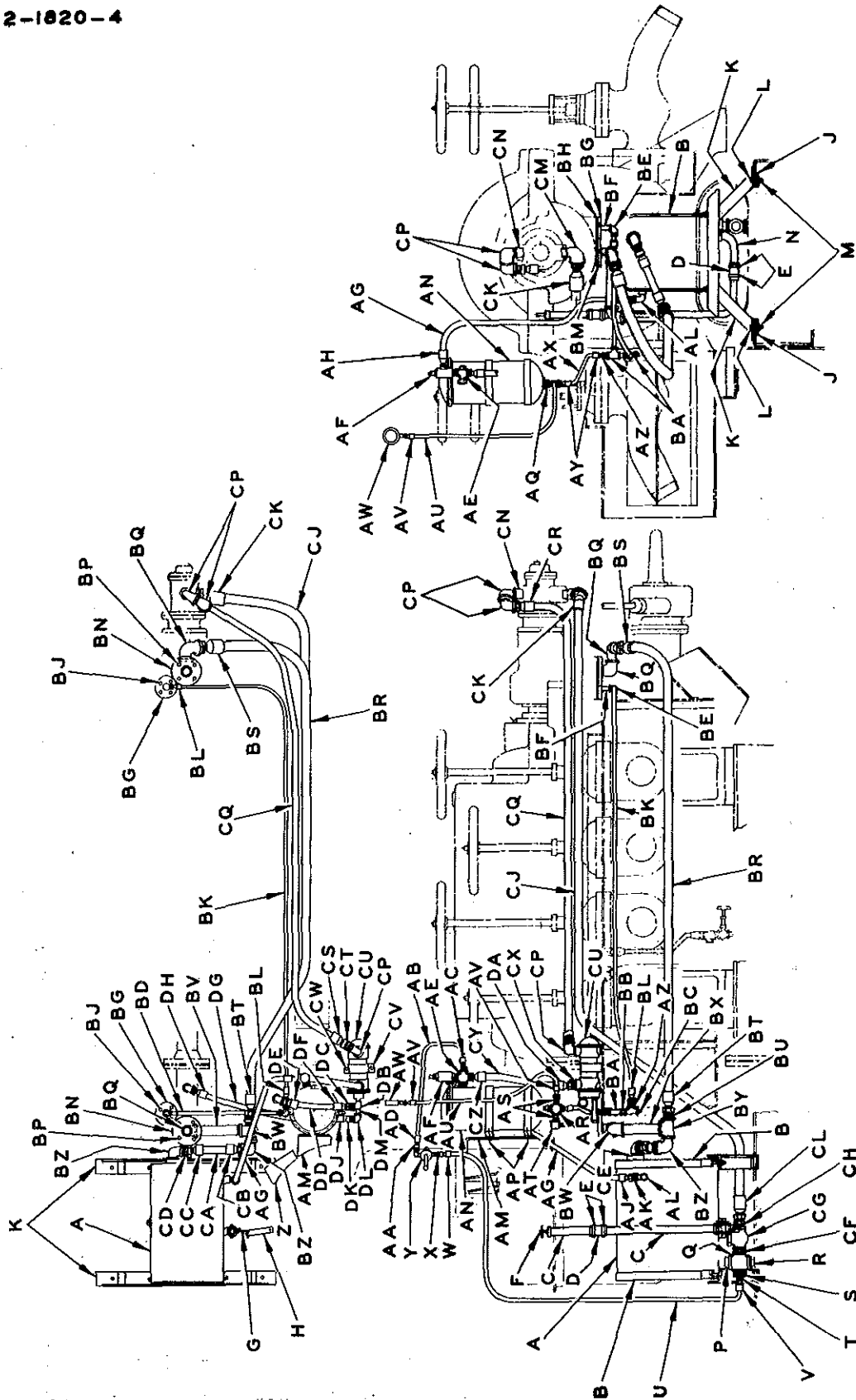
KEY	PART NUMBER	DESCRIPTION	NO. REQ.
SECTION 3A - 2RTA 56 (Cont.)			
AV-4	21AX 313	NUT, (3/8-24 NF)	4
AV-5	37AX 472	WASHER, Plain	4
AW	63AX 117	TEE, Pump Outlet Line	1
AW-1	63AX 537	BUSHING, Reducer, Pump Outlet Line Tee	1
AX	63AX 87	PLUG, Pump Outlet Line Tee	1
AY	63AX 294	NIPPLE, Pump Outlet Line	2
AZ	63AX 38	ELBOW, 45°, Pump Outlet Line	2
BA	63AX 294	NIPPLE, Pump Outlet Line	1
BB	66RU 312P10	HOSE ASSY., Pump to Engine Line	1
BC	92RU 261P10	FITTING, Pump to Engine Hose Assy.	1
BC-1	60AX 38	GASKET, Pump to Engine Hose Assy. Fitting	1
BD	63AX 520	ELBOW, Street, 45°, Tank Drain	1
BE	63AX 294	NIPPLE, Tank Drain Valve	1
BF	30RS 215P2	VALVE, Tank Drain	1
BG	66RU 312P11	HOSE ASSY., Tank Drain	1
BH	4MR 2141P3	PLATE, Name (Lube-Oil).	1



TITLE DE LAVAL PUMP LUBRICATING OIL PIPING ARRANGEMENT

Quantity used is 1 unless otherwise specified in brackets ( ).

KEY	PART NUMBER	DESCRIPTION	KEY	PART NUMBER	DESCRIPTION
	<b>2-1820-4</b>				





Quantity used is 1 unless otherwise specified in brackets ( ).

KEY	PART NUMBER	DESCRIPTION	KEY	PART NUMBER	DESCRIPTION
SECTION 4A - 2RTA 470			AU	36RU 320P40	HOSE ASSY, Air Ga
A	39QC 476	TANK, Lube Oil	AU-1	897AXA	Use Units As Follows:
B	8MB 2014	STRAP, Tank (2)	AV	63AX 1723	HOSE, 38-15/16" Req
		Att Parts:	AW	7MT 213P1	END, Hose (Male) (2)
B-1	21AX 313	NUT (3/8-24 NF) (4)	AX	36RU 324P18	GAUGE, Air
B-2	37AX 472	WASHER, Plain (4)			HOSE ASSY, Pmp Brg
C	27RO 120	SPOUT, Filler (2)	AX-1	901AXA	Use Units As Follows:
D	160AX 494	HOSE, Filler Spout (2)	AY	63AX 1727	HOSE, 16-11/32" Req
E	83AX 452	CLAMP, Hose (4)	AZ	63AX 1742	END, Hose (Male) (2)
F	1MT 226P2	INDICATOR, Oil Level	BA	63AX 1512	CONNECTOR, Hose (2)
G	48RU 1632	CLAMP, Indicator	BB	63AX 1370	TEE (2)
H	72RU 11517	CLIP, Hose	BC	63AX 83	NIPPLE
		Att Parts:	BD	117RS 332P41	PLUG, Tee
H-1	1AX 374	SCREW, 1/4-28 NF x 3/4 (3)	BE	63AX 297	NIPPLE, Pmp Brg Inl
H-2	20AX 1	NUT, 1/4-28 NF (3)	BF	63AX 1370	ELBOW, 90° (2)
H-3	36AX 1	WASHER, 1/4 ID (3)	BG	93RU 1204	NIPPLE (2)
H-4	37AX 471	WASHER, Plain (3)	BH	120MF 128	FLANGE, Pmp Brg Inl (2)
J	5MB 2332	SUPPORT, Tank (4)			GASKET, Inl Flg (2)
K	5MB 3271	BRACKET, Tank Support (2)	BJ	4AX 66	Att Parts:
		Att Parts:	BJ-1	36AX 5	SCREW, 1/2-13 NC x 1-1/4 (8)
L	1AX 13	SCREW, 3/8-24NF x 1-1/2 (4)	BK	36RU 324P96	WASHER, 1/2 ID (8)
M	21AX 313	NUT (3/8-24 NF) (4)			HOSE ASSY, Pmp Brg Inl
M-1	37AX 472	WASHER, Plain (4)	BK-1	901AXA	Use Units As Follows:
N	27RO 241	SPOUT, Filler	BL	63AX 1727	HOSE, 94-11/32" Req
N-1	56AX 5	GASKET, Filler Spout	BM	120MF 129	END, Hose (Male) (2)
		Att Parts:	BN	63AX 173	GASKET, O'let Flg (2)
N-2	1AX 114	SCREW, 5/16-24 NF x 1 (2)			FLANGE, Pmp Brg O'let (2)
N-3	36AX 22	WASHER, 5/16 ID (2)	BP	4AX 66	Att Parts:
P	63AX 1874	NIPPLE, Tank	BP-1	36AX 5	SCREW, 1/2-13 NC x 1-1/4 (8)
Q	63AX 3299	CROSS	BQ	63AX 844	WASHER, 1/2 ID (8)
R	63AX 572	PLUG	BR	36RU 341P100	ELBOW, Street, 90° (3)
S	63AX 1923	BUSHING, Reducer			HOSE ASSY, Pmp Brg O'let
T	63AX 393	BUSHING, Reducer	BR-1	905AXA	Use Units As Follows:
U	36RU 319P72	HOSE ASSY, Priming Pmp	BS	63AX 1731	HOSE, 97-15/16" Req
		Use Units As Follows:	BT	63AX 2229	END, Hose (Male)
U-1	902AXA	HOSE, 70-1/4" Req	BU	63AX 3133	END, Hose (Female)
V	63AX 1728	END, Hose (Male)	BV	63AX 4006	CONNECTOR, Hose
W	63AX 1722	END, Hose (Female)	BW	63AX 1314	NIPPLE, Pmp Brg O'let
X	63AX 1744	CONNECTOR, Hose	BX	63AX 3002	ELBOW, 90°
X-1	63AX 393	BUSHING, Reducer, Priming Pmp	BY	63AX 3067	NIPPLE
Y	32RC 110	PUMP, Priming (See Component)	BZ	63AX 844	TEE
Z	73RU 21708	BRACKET, Pmp Mtg	CA	36RU 341P13	ELBOW, Street, 90° (2)
AA	63AX 1744	CONNECTOR, Hose			HOSE ASSY, Brg Rtn In
AB	36RU 319P36	HOSE ASSY, Press Red Vlv	CA-1	905AXA	Use Units As Follows:
		Use Units As Follows:	CB	63AX 1731	HOSE, 10-15/16" Req
AB-1	902AXA	HOSE, 34-1/4" Req	CC	63AX 2229	END, Hose (Male)
AC	63AX 1728	END, Hose (Male)	CD	63AX 3133	END, Hose (Female)
AD	63AX 1722	END, Hose (Female)	CE	63AX 4021	CONNECTOR, Hose
AD-1	63AX 393	BUSHING, Reducer	CF	63AX 1874	BUSHING, Red (At Tk)
AE	63AX 1531	CROSS	CG	30RS 1379	NIPPLE
AF	---	VALVE, Press Red (Furnished With De Laval Pmp)	CH	63AX 3133	VALVE, Check
			CJ	36RU 341P120	CONNECTOR, Hose
AG	36RU 354P72	HOSE ASSY, Vlv to Tk			HOSE ASSY, Press Oil Pmp
		Use Units As Follows:	CJ-1	905AXA	Use Units As Follows:
AG-1	893AXA	HOSE, 71-9/64" Req	CK	63AX 1731	HOSE, 117-15/16" Req
AH	63AX 3031	END, Hose (Male)	CL	63AX 2229	END, Hose (Male)
AJ	63AX 3026	END, Hose (Female)	CM	63AX 844	END, Hose (Female)
AK	63AX 1742	CONNECTOR, Hose	CN	63AX 1923	ELBOW, Street, 90°
AL	63AX 737	ELBOW, Connector	CP	63AX 527	BUSHING, Red
AM	73RU 21708	BRACKET, Oil Filter	CQ	36RU 329P108	ELBOW, Street, 90° (3)
AN	485GB 4158C	FILTER, Oil (See Component)			HOSE ASSY, Pmp to Oil Cooler
		Att Parts:	CQ-1	903AXA	Use Units As Follows:
AP	1AX 24	SCREW, 3/8-24 NF x 1-1/4 (4)	CR	63AX 1729	HOSE, 106-9/32" Req
AP-1	21AX 313	NUT (3/8-24 NF) (4)	CS	63AX 2227	END, Hose (Male)
AP-2	37AX 472	WASHER, Plain (4)	CT	63AX 2017	END, Hose (Female)
AQ	63AX 537	BUSHING, Reducer	CU	312GB 111	CONNECTOR, Hose
AQ-1	63AX 1370	NIPPLE	CV	48RU 1732	COOLER, Oil
AR	63AX 1189	CROSS	CV-1	73RU 11996	CLAMP, Oil Cooler
AS	63AX 1504	BUSHING, Reducer (2)			SUPPORT, Oil Cooler Clmp
AT	64MT 123	UNIT, Oil Press Sending	CW	1AX 8	Att Parts:
					SCREW, 1/4-28 NF x 5/8 (2)





Quantity used is 1 unless otherwise specified in brackets ( ).

KEY	PART NUMBER	DESCRIPTION	KEY	PART NUMBER	DESCRIPTION
<u>SECTION 4A - 2RTA 470 (Cont)</u>					
CW-1	21AX 441	NUT (1/4-28 NF) (2)			
CW-2	37AX 471	WASHER, Plain (2)			
CX	63AX 2017	CONNECTOR, Hose			
CY	36RU 329P36	HOSE ASSY, Oil Cooler to Press Red Vlv Use Units As Follows:			
CY-1	903AXA	HOSE, 3/4-9/32" Req			
CZ	63AX 1729	END, Hose (Male)			
DA	63AX 2227	END, Hose (Female)			
DB	63AX 389	ELBOW, 90°			
DC	63AX 1744	CONNECTOR, Hose			
DD	36RU 319P18	HOSE ASSY, Water O'let Use Units As Follows:			
DD-1	902AXA	HOSE, 1/2-1/4" Req			
DE	63AX 1728	END, Hose (Male)			
DF	63AX 1722	END, Hose (Female)			
DG	36RU 319P36	HOSE ASSY, Water Inl Use Units As Follows:			
DG-1	902AXA	HOSE, 3/4-1/4" Req			
DH	63AX 1628	END, Hose (Male)			
DJ	63AX 1722	END, Hose (Female)			
DK	63AX 1744	CONNECTOR, Hose			
DL	63AX 166	ELBOW, Street 90°			
DM	63AX 1249	NIPPLE, Wat Inl			



Illustration #1-186-42.

KEY	PART NUMBER	DESCRIPTION	NO. REQ.
		<u>SECTION 76A - 1RFA 381P1</u> SUPER TENDER	
A	2RF 159	FIFTH WHEEL (For Components, see back of Group)	1
B		Attaching Parts:	
		SCREW, cap, 5/8-18 NF x 1-3/4 (1-1/2"thd.)(1AX 50)	10
B-1	21AX 360	NUT (5/8-18 NF)	10
B-2	37AX 271	WASHER, Plain	10
C	4RFA 313	PLATE ASSEMBLY, 5th. Wheel Mounting	1
D		Attaching Parts:	
		SCREW, cap, 5/8-18 NF x 2 (1-1/2"thd.)(1AX 62)	4
D-1	21AX 360	NUT, (5/8-18 NF)	4
D-2	37AX 271	WASHER, Plain	4
D-3	120K 118	BUMPER, Fifth Wheel Mounting	2
D-4	50F 17P5	SPACER, Bumper	4
D-5		Attaching Parts:	
		SCREW, cap, 5/16-24 NF x 3-1/2(7/8"thd.)(1AX 365)	4
D-6	21AX 314	NUT, (5/16-24 NF)	4
D-7	37AX 68	WASHER, Plain	4
		<u>SECTION 76B - 1RFA 381P2</u> SUMPER PUMPER	
C	4RFA 314	PLATE ASSEMBLY, 5th. Wheel Mounting same as 1RFA 381P1 (Section 76A) Except	1
D		Attaching Parts:	
		SCREW, cap, 5/8-18 NF x 2 (1-1/2"thd.)(1AX 62)	6
D-1	21AX 360	NUT (5/8-18 NF)	6
D-2	37AX 271	WASHER, Plain	6



TITLE SEAT SAFETY BELT MOUNTING ARRANGEMENT

Quantity used is 1 unless otherwise specified in brackets ( ).

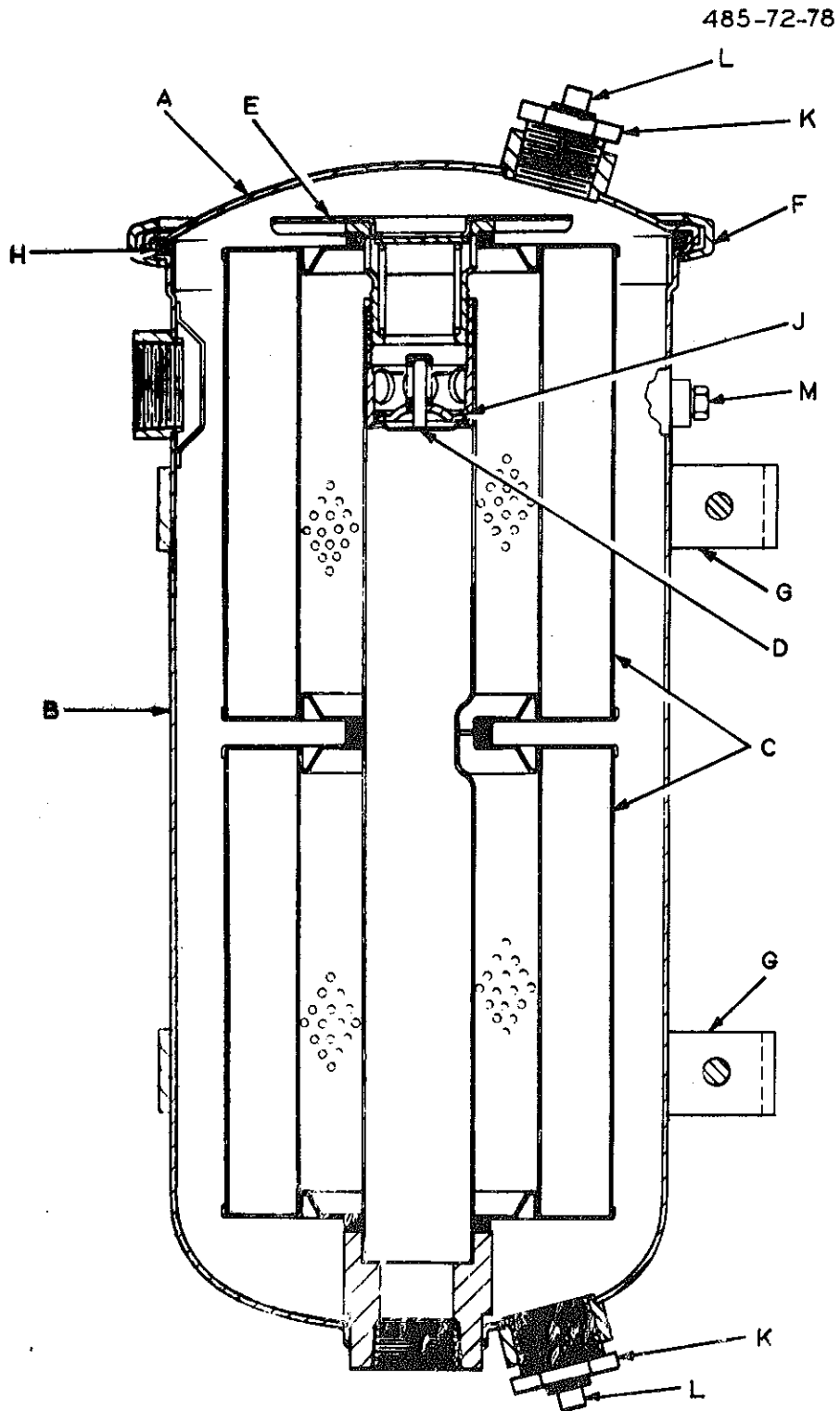
LINE	PART NUMBER	DESCRIPTION	LINE	PART NUMBER	DESCRIPTION
<u>SECTION 1A - 34RCA 226</u>			<u>SECTION 1J - 34RCA 312P2</u>		
1	34RC 225A	BELT KIT, Seat			CA38, CAS39, 40
2	)				Same as Section 1A Except
Thru)	Not Used		2	1AX 33	SCREW, 3/8-24 NF x 7/8 (2)
6	)		3	21AX 762	NUT
<u>SECTION 1B - 34RCA 312P1</u>			<u>SECTION 1K - 48RUA 413P2</u>		
F Model CA38, CAS39, 40			U Model CA361 Bostrom West Coaster		
Same as Section 1A Except			Seat -Same as Section 1A Except		
1	34RC 225A	BELT KIT, Seat (2)	2	1AX 162	SCREW, 7/16-20NF x 1 (2)
		Att Parts:	4	36AX 4	WASHER, 7/16 ID (2)
2	1AX 33	SCREW, 3/8-24 NF x 7/8 (4)	6	34RC 1105	BRACKET KIT, Seat Belt
3	21AX 762	NUT, (3/8-24 NF) (2)			
<u>SECTION 1C - 48RUA 413P1</u>			<u>SECTION 1L - 48RUA 414P2</u>		
"U" Model CA361 Bostrom West			U Model CA361 Mack Std E Suspension		
Coaster Seat			Seat -Same as Section 1A Except		
Same as Section 1A Except			2	1AX 161	SCREW, 7/16-20 NF x 1 (2)
1	34RC 225A	BELT KIT, Seat (2)	4	36AX 4	WASHER, 7/16 ID (2)
		Att Parts:			
2	1AX 161	SCREW, 7/16-20 NF x 1 (4)			
4	36AX 4	WASHER, 7/16 ID (4)			
6	34RC 1105	BRACKET KIT, Seat Belt			
<u>SECTION 1D - 48RUA 414P1</u>			<u>SECTION 1M - 34RCA 47P2</u>		
"U" Model CA361 Mack Std E			F Model CA38, CAS39, 40		
Suspension Seat			Same as Section 1A Except		
Same as Section 1A Except			2	1AX 33	SCREW, 3/8-24 NF x 7/8
			3	21AX 762	NUT, 3/8-24 NF
1	34RC 225A	BELT KIT, Seat (2)			
		Att Parts:			
2	1AX 161	SCREW, 7/16-20 NF x 1 (4)			
4	36AX 4	WASHER, 7/16 ID (4)			
6	34RC 1105	BRACKET KIT, Seat Belt			
<u>SECTION 1E - 48RUA 343</u>			<u>SECTION 1N - 48RUA 419P1</u>		
CA30 W/Bostrom Viking Seat			R, U, D M Models W/Bostrom Seat		
Same as Section 1A Except			Same as Section 1A Except		
1	34RC 225A	BELT KIT, Seat (2)	1	34RC 225A	BELT KIT, Seat (2)
		Att Parts:			Att Parts:
2	1AX 161	SCREW, 7/16-20 NF x 1 (4)	2	1AX 161	SCREW, 7/16-20 NF x 1 (4)
4	36AX 4	WASHER, 7/16 ID (4)	4	36AX 4	WASHER, 7/16 ID (4)
			5	37AX 256	WASHER, (2)
			6	34RC 1105	BRACKET KIT, Seat Belt
<u>SECTION 1F - 34RCA 47P1</u>			<u>SECTION 1P - 48RUA 419P2</u>		
F Model, CA38, CAS39, 40			R, U, D M Model W/Bostrom Seat		
Same as Section 1A Except			Same as Section 1A Except		
1	34RC 225A	BELT KIT, Seat (2)	2	1AX 161	SCREW, 7/16-20NF x 1 (2)
		Att Parts:	4	36AX 4	WASHER, 7/16 ID (2)
2	1AX 33	SCREW, 3/8-24 NF x 7/8 (4)	5	37AX 256	WASHER, (2)
3	21AX 762	NUT, 3/8-24 NF (2)	6	34RC 1105	BRACKET KIT, Seat Belt
6	34RC 1105	BRACKET KIT, Seat Belt			
<u>SECTION 1G - 34RCA 1139</u>			<u>SECTION 1Q - 48RUA 420P1</u>		
F Model W/Bostrom Seat			CA38, CAS39, 40 W/Bostrom Viking Seat		
Same as Section 1A Except			Same as Section 1A Except		
1	34RC 225A	BELT KIT, Seat (2)	1	34RC 225A	BELT KIT, Seat (2)
		Att Parts:			Att Parts:
2	1AX 33	SCREW, 3/8-24 NF x 7/8 (2)	2	1AX 33	SCREW, 3/8-24 NF x 7/8 (4)
3	21AX 762	NUT, 3/8-24 NF (2)	3	21AX 762	NUT, 3/8-24 NF (3)
6	34RC 1105	BRACKET KIT, Seat Belt	6	34RC 1105	BRACKET KIT, Seat Belt
<u>SECTION 1H - 34RCA 411</u>			<u>SECTION 1R - 48RUA 420P2</u>		
F Model CA38, 39 E 40 W/Bostrom			CA38, CAS39, 40 W/Bostrom Viking Seat		
Seat			Same as Section 1A Except		
Same as Section 1A Except			2	1AX 33	SCREW, 3/8-24 NF x 7/8 (2)
2	1AX 33	SCREW, 3/8-24 NF x 7/8 (2)	3	21AX 762	NUT, 3/8-24 NF
3	21AX 762	NUT, 3/8-24 NF	6	34RC 1105	BRACKET KIT, Seat Belt
6	34RC 1105	BRACKET KIT, Seat Belt			



MACK CHASSIS NUMBER must always be given with PART NUMBER when ordering.

### COMPONENT PARTS

485GB 4158C  
OIL FILTER



IK

12/15/60 mm rmm

PAGE 1 of 2

MACK CHASSIS NUMBER must always be given with PART NUMBER when ordering.

**COMPONENT PARTS**

485GB 4158C

OIL FILTER

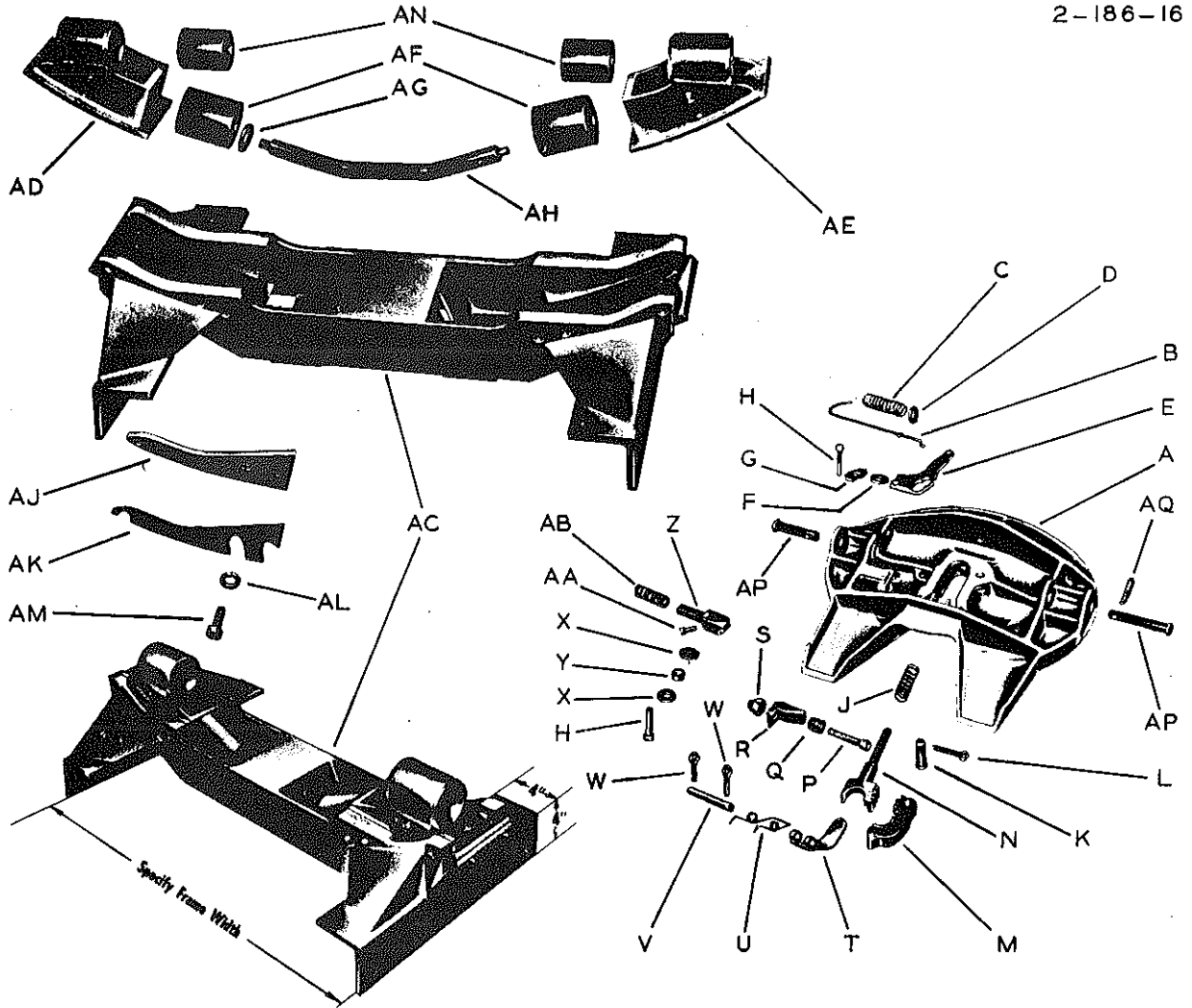
KEY	PART NUMBER	DESCRIPTION	NO. REQ.
A	6432 60111-4	COVER ASSEMBLY	1
B	6432 6656910	CASE & TUBE ASSEMBLY	1
C	236GB 123A	ELEMENT ASSEMBLY	2
D	6432 6653460	VALVE ASSEMBLY, Check	1
E	6432 6653462	VALVE, Relief	1
F	6432 6654655	RING ASSEMBLY, Clamping	2
G	6432 62675	BRACKET ASSEMBLY	2
H	6432 6653463	GASKET (Rubber)	1
J	6432 6653461	RING, Retainer	1
K	6432 6656906	REDUCER	2
L	30LSB 55	PLUG, Pipe	2
M	30LSB 48	PLUG, Pipe	1
-	6432 59548	SCREW, Hex. (3/8 - 16 NC - 2)	2
-	27RU 1524P1	DECAL	1
-	27RU 1524P2	DECAL	1



COMPONENT PARTS

2RFA 159  
FIFTH WHEEL

2-186-16



KEY	PART NUMBER	DESCRIPTION	NO. REQ.
A	3889 2009-A-36	PLATE ASSEMBLY, Fifth Wheel Includes:	1
B	3889 1117-1	HANDLE, Release	1
C	3889 1028	SPRING, Release Handle	1
D	37AX 474	WASHER, Flat 1/2 I.D. Release Handle	2
E	3889 1118-1	ARM, Release	1
F	37AX 473	WASHER, Flat 7/16 I.D. Release Arm	1
G	3889 1032	WASHER, Release Arm Splined	1
H		SCREW, cap, 1/2-20 x 2 Release Arm (1AX 59)	2
J	3889 1006	SPRING, Sliding Lock	1
K	3889 1016	PIN, Hinged Lock Attaching Parts:	1
L		COTTER PIN, stl. 1/4 x 2"L. (29AX 19)	1
M	3889 1102-A	LOCK, Hinged	1
N	3889 1103-B	LOCK, Sliding	1
P	3889 CS-58-C-312	SCREW, Lock Adjusting Wedge	1
Q	3889 3124	SPRING, Lock Adjusting Wedge Screw	1
R	3889 3123-1	WEDGE, Lock Adjusting	1
S	3889 HNH-58-C	NUT, Lock, Adjusting Wedge Screw	1
T	3889 1621	SLIDE, King Pin	1
U	3889 1044	SPRING, Torsion	1
V	3889 1055	PIN, King Pin Slide Attaching Parts:	1
W		COTTER PIN, stl. 1/8 x 1 (29AX 12)	?

IK

COMPONENT PARTS

2RFA 159  
FIFTH WHEEL (Cont.)

KEY	PART NUMBER	DESCRIPTION	NO. REQ.
X	3889 1030	WASHER, Release Arm (Special)	2
Y	3889 1029	ROLLER, Release Arm Screw	1
Z	3889 1119	PLUNGER	1
AA	3889 15	SCREW, Plunger Set	1
AB	3889 1007	SPRING, Plunger	1
-	3889 767	FITTING, Grease	2
AC	3889 40-1 *	COMPENSATOR ASSEMBLY Includes:	1
AD	3889 36-R	SHOE, R.H.	1
AE	3889 36-L	SHOE, L.H.	1
AF	3889 70-2	CUSHION, Rubber	2
AG	3889 PWM-1316-2	WASHER, Cushion	2
AH	3889 39	ROD, Tie	1
AJ	3889 86	PLATE, Bearing Adjusting	2
AK	3889 87	SHIM, Bearing Adjusting Plate Attaching Parts:	4
AL		WASHER, Lock, 1/2 I.D.(36AX 5)	6
AM		SCREW, cap, 1/2-20 x 1-1/2 (1AX 60)	6
-	3889 H-38-C	FITTING, Grease	4
AN	3889 1604-4	BEARING, Compensator Shoe (Rubber)	4
AP	3889 2016	PIN, Compensator Shoe Bearing Attaching Parts:	2
AQ	3889 21-S-250-1875	PIN, Rolled	2

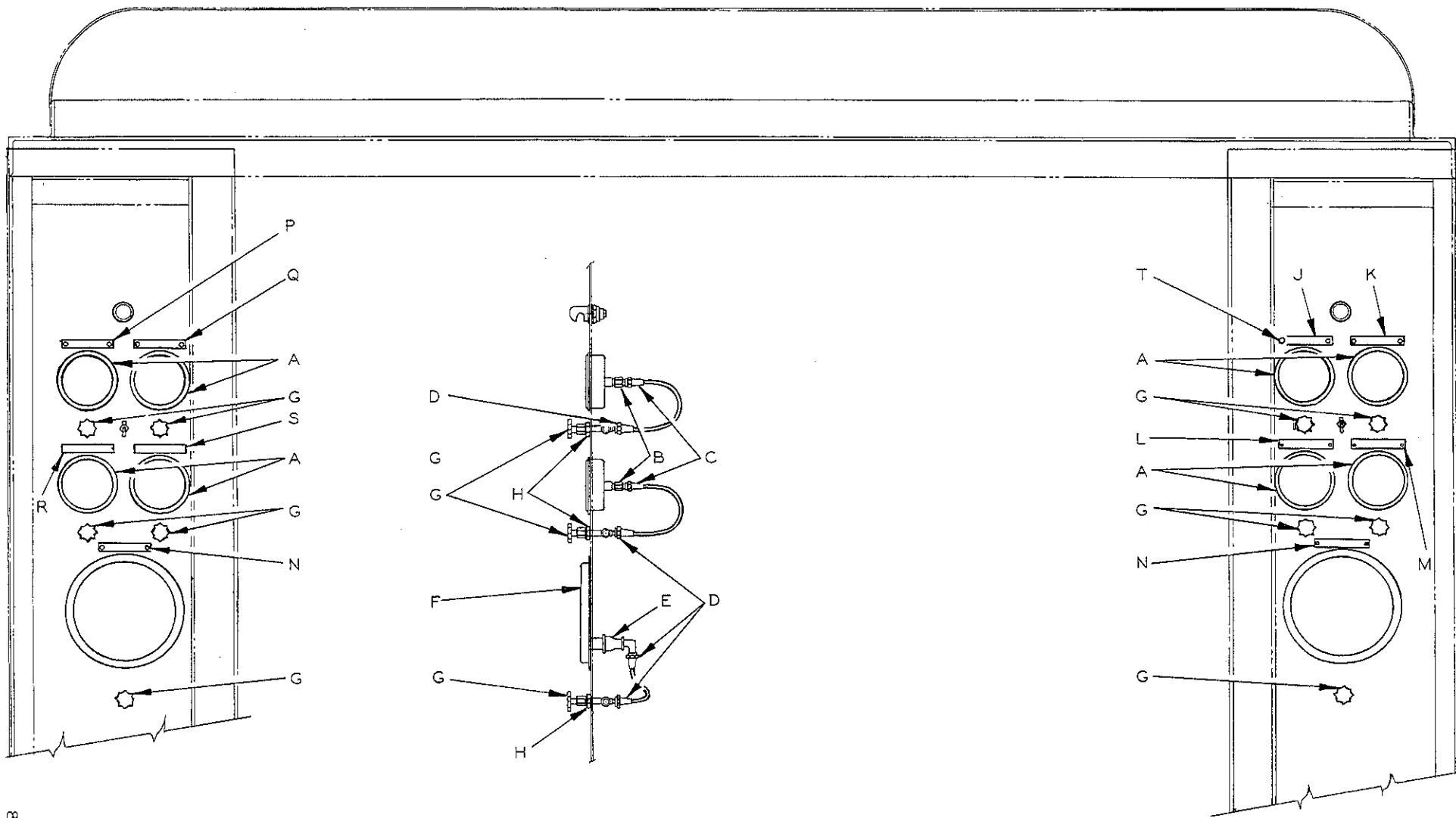
\*Specify Frame Width

# *Mack* PARTS BOOK

PAGE



CHASSIS NUMBER *must* always be given with PART NUMBER when ordering.



8-1320-86

GAUGE ASSEMBLY AND PIPING ARRANGEMENT



TITLE GAUGE ASSEMBLY & PIPING ARRANGEMENT

ILLUSTRATION #8-1320-86.

KEY	PART NUMBER	DESCRIPTION	NO. REQ.
<u>SECTION 30A - 8MTA 4224</u>			
A	13MT 131	GAUGE, Pressure (800LB.)	8
B	63AX 498	CONNECTOR, Pressure Gauge	8
C	63AX 1005	NUT, Compression Pressure Gauge Connector	8
D	63AX 1920	ELBOW ASSY., Pressure Gauge	12
E	63AX 206	COUPLING, Compound Gauge	2
F	12MT 129	GAUGE, Compound (30"-0-1000 LB)	2
G	30RS 181	VALVE, Gauge Shut-Off	10
Attaching Parts:			
H	51RM 12	NUT	10
J	4MR 2124P1	PLATE, Name (Discharge Pressure #1)	1
K	4MR 2124P2	PLATE, Name (Discharge Pressure #2)	1
L	4MR 2124P3	PLATE, Name (Discharge Pressure #3)	1
M	4MR 2124P4	PLATE, Name (Discharge Pressure #4)	1
N	4MR 2124P10	PLATE, Name (Pump Pressure)	2
P	4MR 2124P5	PLATE, Name (Discharge Pressure #5)	1
Q	4MR 2124P6	PLATE, Name (Discharge Pressure #6)	1
R	4MR 2124P7	PLATE, Name (Discharge Pressure #7)	1
S	4MR 2124P8	PLATE, Name (Discharge Pressure #8)	1
Attaching Parts:			
T	131AX 80	SCREW, Tapping Type "A" rd. Phillips hd. #6-18 x 1/4	20
<u>BULK TUBING</u>			
	100AX 64FT50	TUBING, Copper 1/4 O.D.	

# *Mack* PARTS BOOK

## INDEX

### GROUP #24

#### SPECIAL EQUIPMENT

25RU 134	MOULDING, Splice Joint Rubber (120" Lg)	3
25RM 3151	FLOOR COMPLETE, Hose Body	1

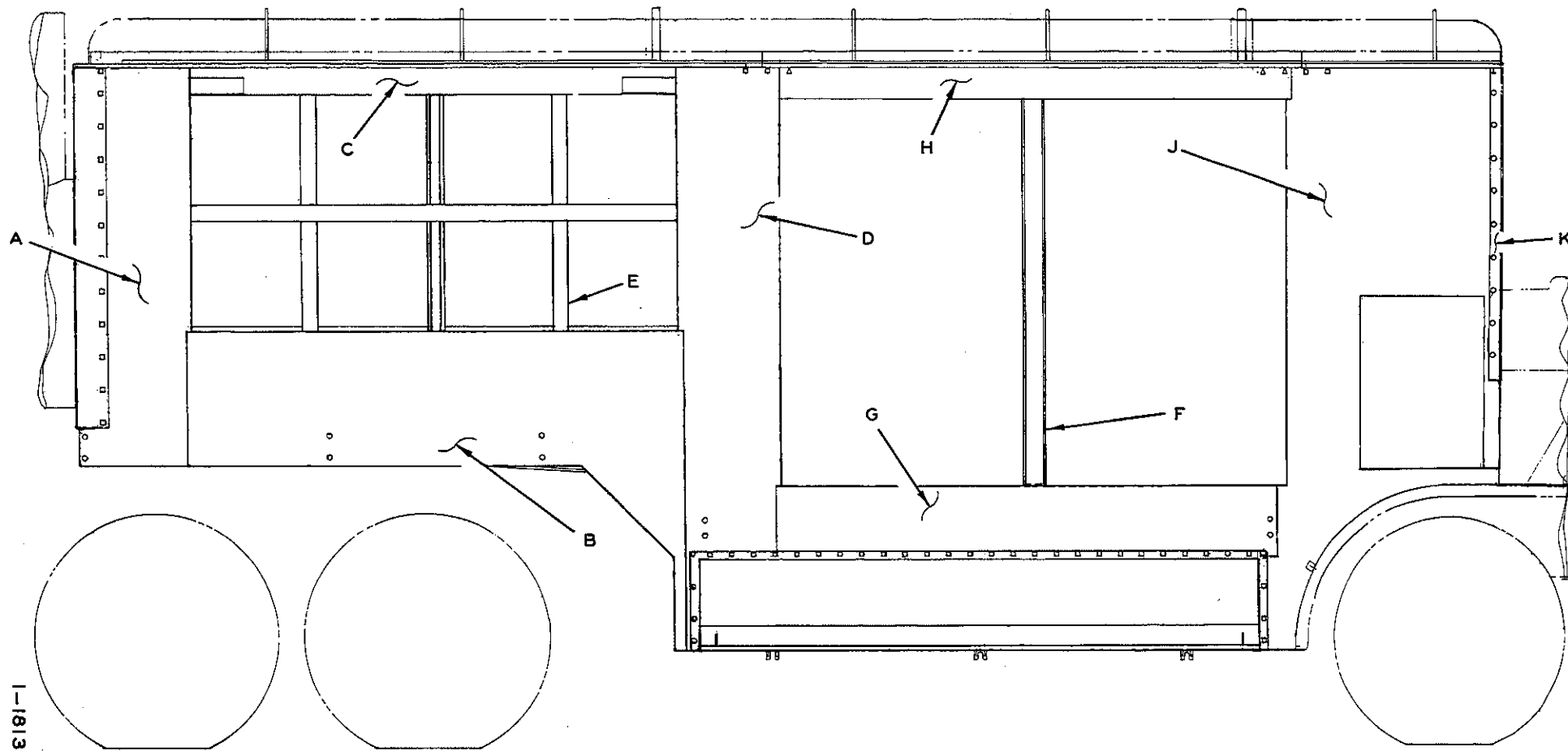
#### COMPONENT

109RD 1461



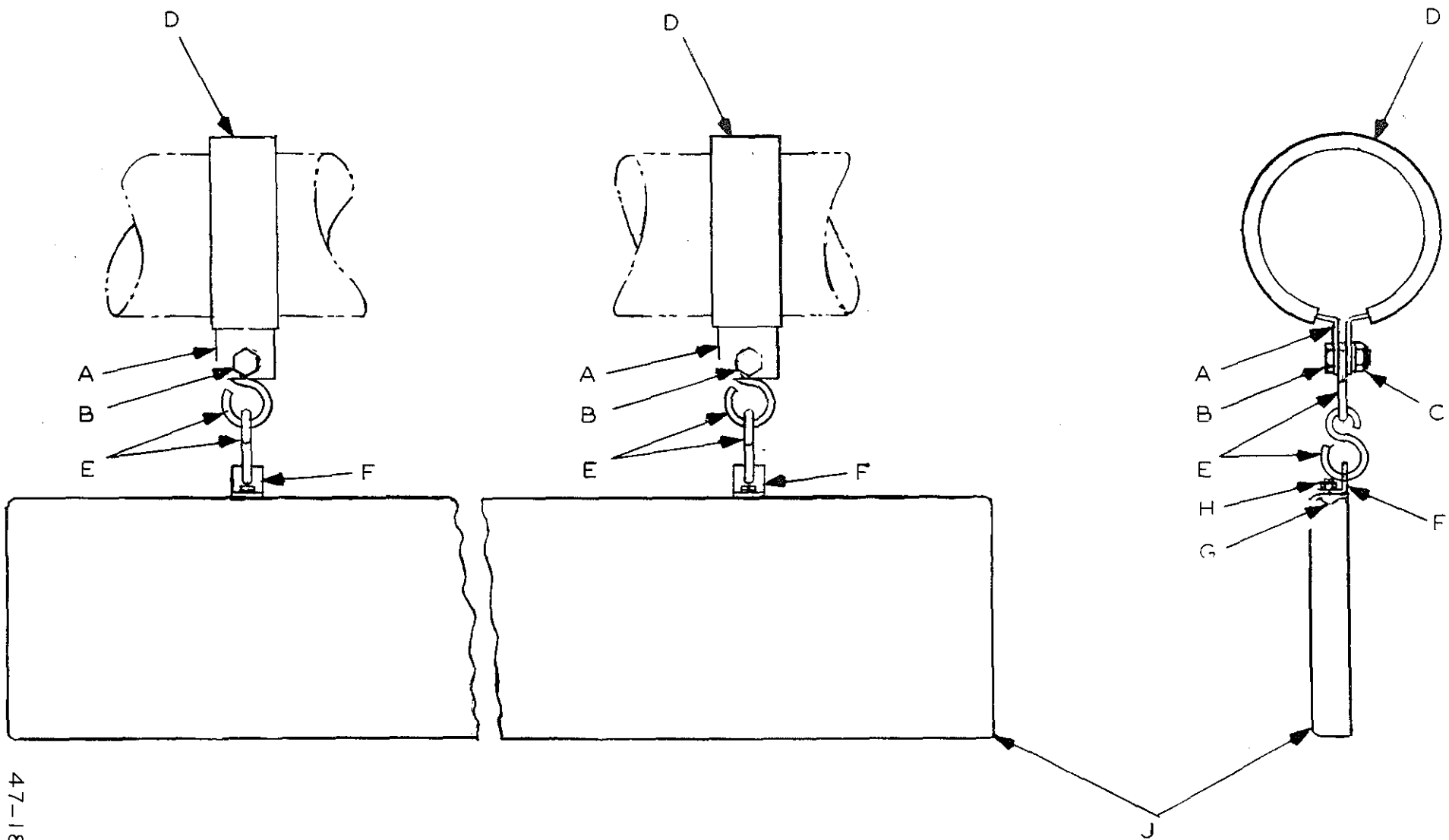
4248A 12/8/65 ejm-jd PAGE #24-1

CHASSIS NUMBER must always be given with PART NUMBER when ordering.



1-1813-16

SEMI-TRAILER PANEL SIDE MOUNTING ARRANGEMENT (PUMPER)



SIGN MOUNTING ARRANGEMENT

47-182-1

IK



LINE NO.	PART NUMBER	DESCRIPTION	NO. REQ.
		<u>SECTION 32A - 165QSA 515</u>	
1	165QSA 514-8	CAP, Forward Roof Section Corner	2
2	165QSA 514-1	PANEL, Front Roof, Forward Roof Section	1
3	165QSA 514-6	CAP, Roof Panel Seam	5
4	165QSA 514-7	CAP, Roof Panel Seam	2
5	165QSA 514-2	PANEL, Intermediate Roof, Forward Roof Section	1
6	165QSA 514-10	PANEL, Coolant Tank Access	1
7	165QSA 514-4	PANEL, Rear Roof, Forward Roof Section	1
8	165QSA 514-3	PANEL, Front & Rear Roof, Intermediate Roof Section	2
9	165QSA 514-2	PANEL, Intermediate Roof, Intermediate Roof Section	1
10	165QSA 514-3	PANEL, Front Roof, Rear Roof Section	1
11	165QSA 514-5	PANEL, Rear Roof, Rear Roof Section	1
12	165QSA 514-9	CAP, Rear Roof Section Corner	2
13	43RU 1531	BOLT, Eye	10
		Attaching Parts:	
14	21AX 441	NUT (1/4-28 NF)	10
15	37AX 471	WASHER, Plain	10
16	24RU 3308P13	MOULDING, Drip, Roof End	1
17	165QS 514-12	FILLER, Corner Post	2
18	165QS 514-14	PANEL, Roof	1
19	165QS 514-15	PANEL, Roof	1

TITLE SEMI-TRAILER PANEL SIDE MOUNTING ARRANGEMENT(PUMPER)

Illustration #1-1813-16

KEY	PART NUMBER	DESCRIPTION	NO. REQ.
		5231 R.H. <u>SECTION 33A - LRMA 5232 L.H.</u>	
A	125QW 51-1	PANEL, Side Front	1
B	125QW 51-4	PANEL, Side Lower	1
C	125QW 51-2	PANEL, Side Upper	1
D	125QW 51-5	PANEL, Side Door Header Front	1
E	162QS 563	FRAME COMPLETE, Side L.H.	1
E-1	162QS 562	FRAME COMPLETE, Side R.H.	1
F	162QS 565	FRAME COMPLETE, Side Door Header L.H.	1
F-1	162QS 564	FRAME COMPLETE, Side Door Header R.H.	1
G	125QW 51-7	PANEL, Side Door Header Lower	1
H	125QW 51-3	PANEL, Side Door Header Upper	1
J	125QW 51-6	PANEL, Side Door Header Rear	1
K	125QW 51-10	PANEL, Corner Post Closure	1
K-1	125QW 51-9	PANEL, Corner Post Closure	1
K-2	17RM 5196	COMPARTMENT COMPLETE, Hose R.H.	1
K-3	17RM 5197	COMPARTMENT COMPLETE, Hose L.H.	1
K-4	72RU 11431	REINFORCEMENT, Compartment Frame Corner	4
K-5	4MR 1168	PLATE, Instruction	2
K-6	125QW 51-12	PANEL, Side Rear	1

**MACK TRUCK-TRACTOR PARTS BOOK**  
**TITLE** BODY FRONT END ARRANGEMENT (SEMI-TRAILER)

**GROUP** 24 **SECTION** 34

LINE NO.	PART NUMBER	DESCRIPTION	NO. REQ.
<u>SECTION 34A - 1RMA 5233</u>			
1	1RMA 5233-1	PANEL, Body Front End (L.H. & R.H.)	2
2	1RMA 5233-3	PANEL, Body Front End (Intermediate)	1
3	1RMA 5233-4	PANEL, Body Front End (Rear Intermediate)	1
4	1RMA 5233-7	PANEL, Body Front End (Top)	1
5	1RMA 5233-6	PANEL, Body Front End (At Handrail)	1
6	1RMA 5233-5	PANEL, Body Front End	1
7	1RMA 5233-2	PANEL, Body Front End (At Top Panel)	1
8	29MR 32	COVER, Cable	1
9	29MR 26	COVER, Cable	1
10	27RU 246	EMBLEM, Bull Dog R.H.	1
11	27RU 247	EMBLEM, Bull Dog L.H.	1
		Attaching Parts:	
12	103AX 67	SCREW, (#10-24 NC)	4
13	35AX 243	WASHER, Lock #10 I.D.)	4
14	44RU 1690	WASHER, Cup	4
15	5MB 3267	BRACKET COMPLETE, Coolant Tank Support	1
16	12RSA 21	HOLDER, Hose	1
17	83AX 452	CLAMP, Hose	1
18	58AX 32	SPRING, HOse Anchor	1
19	72RU 1816	PLATE, HOse SpringAnchor	1

Illustration #47-182-1.

KEY	PART NUMBER	DESCRIPTION	NO. REQ.
		<u>SECTION 37A - 47RBA 35</u>	
A	48RU 2242	STRAP, Sign Mounting	2
B		Attaching Parts:	
C	21AX 313	SCREW, cap, 3/8-24 NF x 1 (Full thd.)(1AX 35)	2
C-1	37AX 472	NUT (3/8-24 NF)	2
D	12AX 109P21	WASHER, Plain	2
		COVER, Sign Mounting Strap (Outer)	2
E	61RU 140	HOOK "S", Sign Mounting	4
F	61RU 213PL	HOOK, Sign Mounting	2
		Attaching Parts:	
G		NUT, hex. 1/4-28 NF (20AX 1)	2
H	21AX 441	NUT, (1/4-28 NF)	2
H-1	37AX 471	WASHER, Plain	2
J	73RU 11592	SIGN, Warning	1

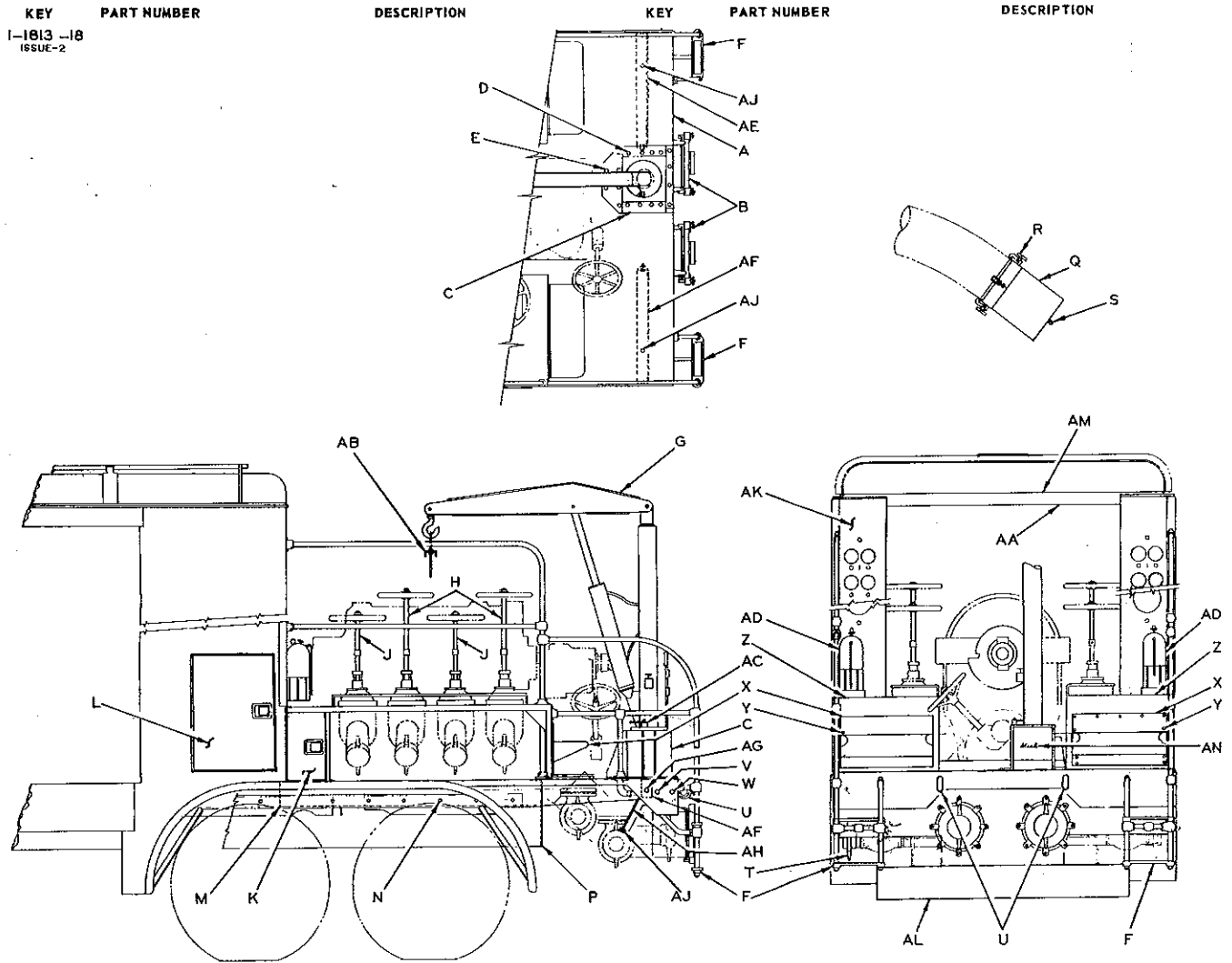
LINE NO.	PART NUMBER	DESCRIPTION	NO. REQ.
<u>SECTION 40A - LRMA 4450</u>			
1	162QSA 562	FRAME COMPLETE, Side R.H.	1
2	162QSA 563	FRAME COMPLETE, Side L.H.	1
3	53RGA 59	FRAME COMPLETE, End	1
4	58RM 418	PLATFORM COMPLETE, Body	1
5	58RM 59	PLATFORM COMPLETE, Valve Station R.H.	1
6	58RM 510	PLATFORM COMPLETE, Valve Station L.H.	1
7	33RU 19011P40	SEAL, Door, Sponge Rubber (40"lg.)	2
8	72RU 2527	BRACKET, Compartment Door Chain Anchor	2
9	71RU 387-1	REINFORCEMENT, Body Platform L. H.	1
10	71RU 387-2	REINFORCEMENT, Body Platform R.H.	1



TITLE BODY REAR END ARRANGEMENT

Quantity used is 1 unless otherwise specified in brackets ( )

KEY 1-1813 -18 ISSUE-2



SECTION 41A- 1RMA 5235

KEY	PART NUMBER	DESCRIPTION	KEY	PART NUMBER	DESCRIPTION
A	---	PLATFORM COMP, Bdy (See Group 24 Section 40)	Q	60RS 32	STRAINER ASSY, Suc H0se Includes: CLAMP, (4) BOLT
B	1RS 46	SUCTION CAP MTG ARR (See Group 35, Section 27)	R	48RU 1690	Attaching Parts: NUT, 1/4-28 NF WASHER
C	58RM 58	PLATFORM COMP, Suc H0se Crane Attaching Parts:	S	43RU 1531	ADAPTER, Hose (AR) EYE, Rr Towing (2) Attaching Parts: SCREW, 5/8-18 NF x 2-1/4 (2) NUT, 5/8-18 NF (2) WASHER, 5/8 ID (2) SCREW, 3/4-16 NF x 2-1/2 (2) NUT, 3/4-16 NF (2) WASHER, 3/4 ID (2) STEP, Rr (2) Attaching Parts: SCREW, 1/4-28 NF x 3/4 (22) NUT, 1/4-28 NF (22) WASHER (22)
D	1AX 60	SCREW, 1/2-20 NF x 1-1/2 (16)	S-1	21AX 441	
E	1AX 42	SCREW, 1/2-20 NF x 1-1/4 (2)	S-2	37AX 471	
E-1	21AX 475	NUT, 1/2-20 NF (18)	T	70RU 222P1	
E-2	37AX 473	WASHER(18)	U	23QL 217	
F	85QM 520)	END LADDER & HANDRAIL ARR (See Group 44, Section 4)	V	1AX 97	
G	109RD 1461	CRANE, Suc H0se (See Component)	V-1	20AX 7	
H	77RU 41P2	EXTENSION COMP, Vlv Stem (2)	V-2	36AX 7	
J	77RU 41P1	EXTENSION COMP, Vlv Stem (2)	W	1AX 118	
K	21RM 511)	COMPARTMENT DOOR ARR (See Group 25, Section 42)	W-1	20AX 8	
L	21RM 513 )	COMPARTMENT DOOR ARR (See Group 25, Section 40)	W-2	36AX 9	
M	72QW 44	SUPPORT ASSY, Platform Attaching Parts:	X	85QM 39017P4	
N	1AX 108	SCREW, 1/2-20 NF x 1-3/4 (14)	Y	1AX 374	
N-1	21AX 475	NUT, 1/2-20 NF (14)	Y-1	21AX 441	
N-2	37AX 474	WASHER (14)	Y-2	37AX 471	
P	12QM 555)	REAR FENDER ARR (See Group 15A Section 96)	Z	58RM 59 )	
	556)		AA	53RG 59	PLATFORM COMP Vlv Station (See Group 24, Section 40)
			AB	23QL 239	FRAME COMP, End (See Group 24, Section 40)
			AC	34RU 3176	EYE, Lift GUARD, Crane

10/7/65 em-jt





Quantity used is 1 unless otherwise specified in brackets ( ).

KEY	PART NUMBER	DESCRIPTION	KEY	PART NUMBER	DESCRIPTION
<u>SECTION 41A- IRMA 5235 (Cont.)</u>					
AD	27RS 1123	EXTINGUISHER, Fire (10LB Dry Powder)			
AE	6QL 284	BRACKET, Frm C/M RH			
AF	6QL 285	BRACKET, Frm C/M LH			
		Attaching Parts:			
AG	1AX 42	SCREW, 1/2-20 NF x 1-1/4 (2)			
AG-1	21AX 441	NUT, 1/2-20 NF (2)			
AG-2	37AX 471	WASHER (2)			
AG-3	1AX 60	SCREW, 1/2-20 NF x 1-1/2 (2)			
AG-4	21AX 475	NUT, 1/2-20 NF (2)			
AG-5	37AX 474	WASHER, (2)			
AH	73RU 21813	BRACE, Platform LH			
AH-1	73RU 21812	BRACE, Platform RH			
		Attaching Parts:			
AJ	4AX 25	SCREW, 1/2-13 NC x 1-1/2 (4)			
AJ-1	23AX 335	NUT, 1/2-13 NC (4)			
AJ-2	37AX 474	WASHER, (4)			
AK	8MT 4224	GAUGE ASSY, & PIPING ARRG (See Group 22, Section 30)			
AL	47RB 35	SIGN MTG ARRG (See Group 24, Section 37)			
AM	24RU 3308P13	MOULDING, Drip			
AN	27RU 236	PLATE, Name (Mack)			





TITLE BODY RUBBER MOULDING MOUNTING ARRANGEMENT

LINE NO.	PART NUMBER	DESCRIPTION	NO. REQ.
		SECTION 51A - 25 RUA 54R.H. 55 L.H.	
1	25RU 134P1	MOULDING, Rubber	1
2	25RU 134P2	MOULDING, Rubber	1
3	45RU 1554	STUD (At Body Roof & Fold Door Area)	1
		Attaching Parts:	
4	21AX 481	NUT, Elastic Stop	1
5	37AX 276	WASHER, Plain	3



COMPONENT PARTS

109RD 1461  
CRANE SUCTION HOSE

REF. NO.	PART NUMBER	DESCRIPTION	NO. REQ.
		<u>109RD 1461</u>	
1	579 564-B	RAM COMPLETE, Main Lifting	1
2	579 564-B2	PISTON ASSEMBLY	1
3	579 564-1	CYLINDER ASSEMBLY	1
4	579 602	CAP, Cylinder	1
5	579 04-935	KIT, Lifting Ram Packing	1
6	579 607	PUMP COMPLETE	1
7	579 459-1	PUMP HYDRAULICS	1
8	579 04-912	KIT, Pump Packing	1
9	579 232	VALVE, Two-Speed Release	1
10	579 05-011	HOSE, Cylinder Top (High Pressure W/Fittings)	1
11	579 05-011	HOSE, Pump Outlet (High Pressure W/Fitting)	1
12	579 05-014	HOSE, Valve (High Pressure W/Fitting)	1
13	579 05-102	HOSE, Pump Inlet (Low Pressure W/Clamps)	1
14	579 05-030	ADAPTER, Swivel "T" (1/4") (High Pressure)	1
15	579 05-036	ADAPTER, Swivel 90° (1/4") (High Pressure)	2
16	579 01-013	CONE, Mast Bearing	2
17	579 02-020	CHAIN & HOOK ASSEMBLY	1

# Mack PARTS BOOK

## INDEX

### GROUP #25

#### SPECIAL EQUIPMENT

38MO 13P1	LAMP, Compartment	2
1MR 1206	SWITCH, Compartment Lamp	4

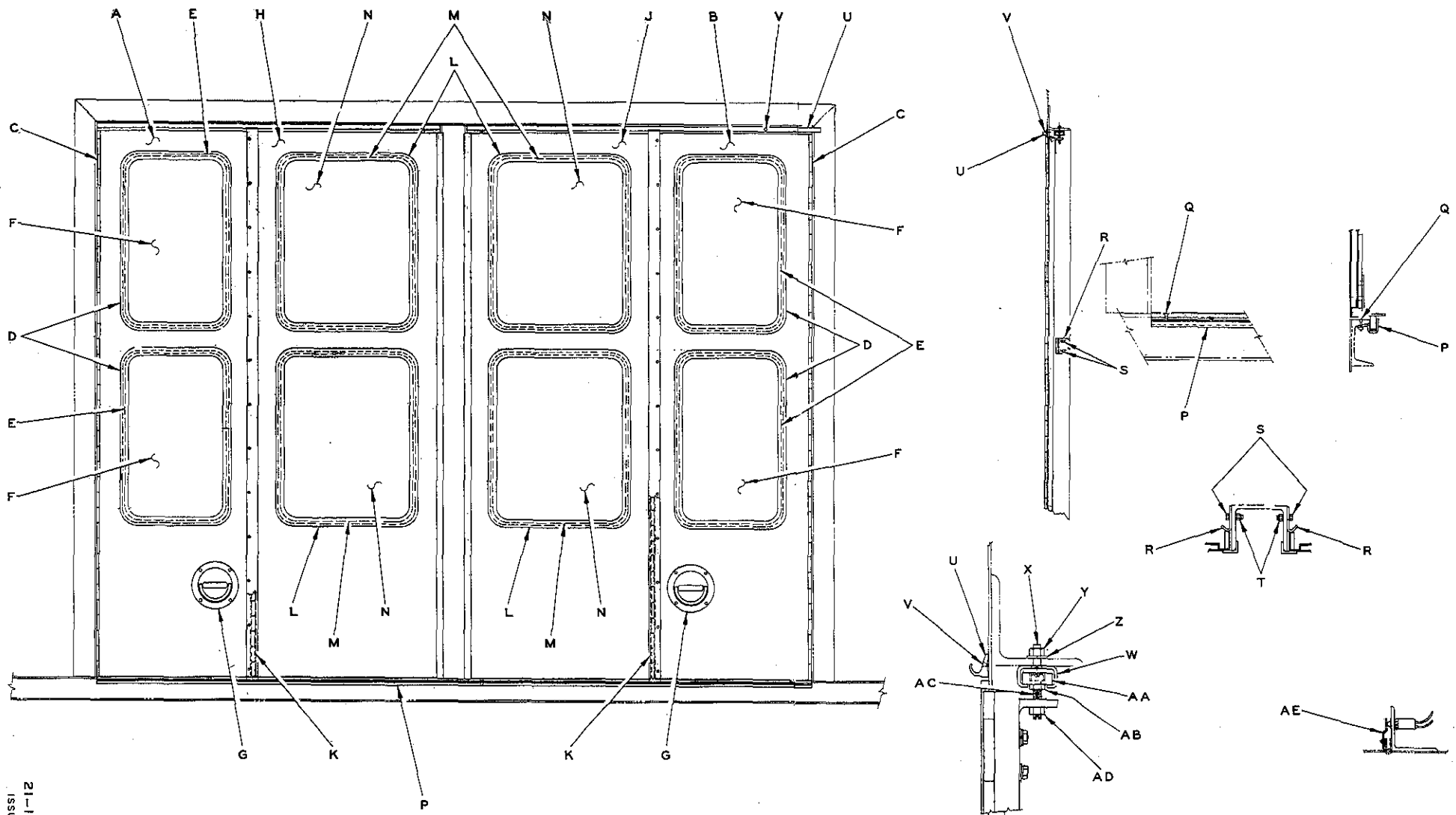
#### COMPONENTS

49QU 45  
49QU 46

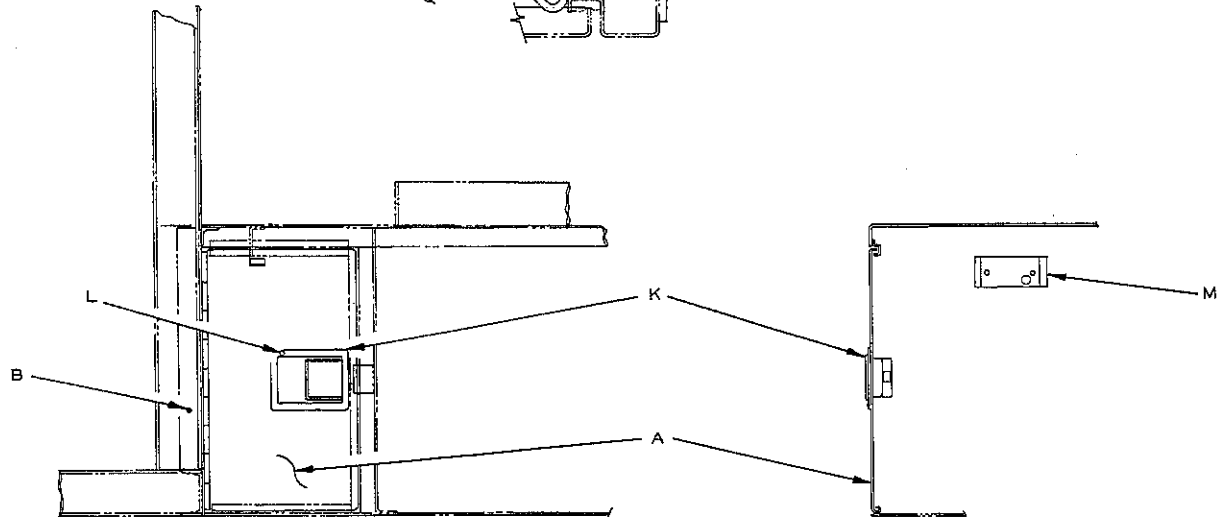
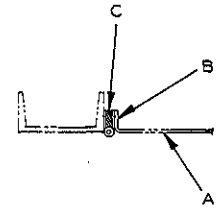
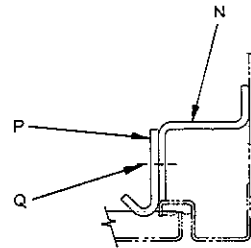
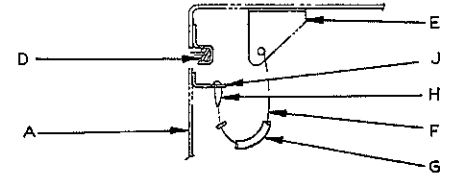
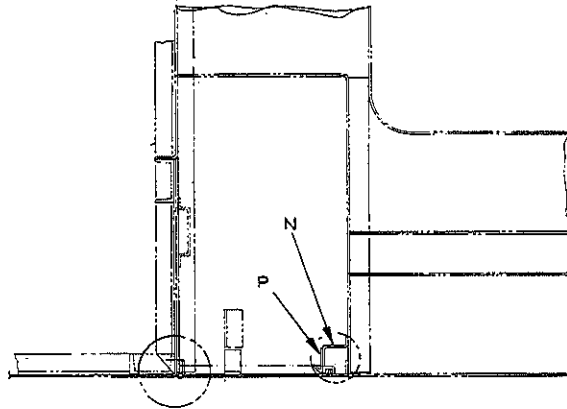
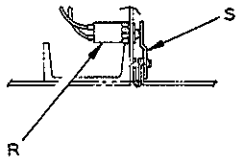


4248A 12/8/65 ejm-jd PAGE #25-1

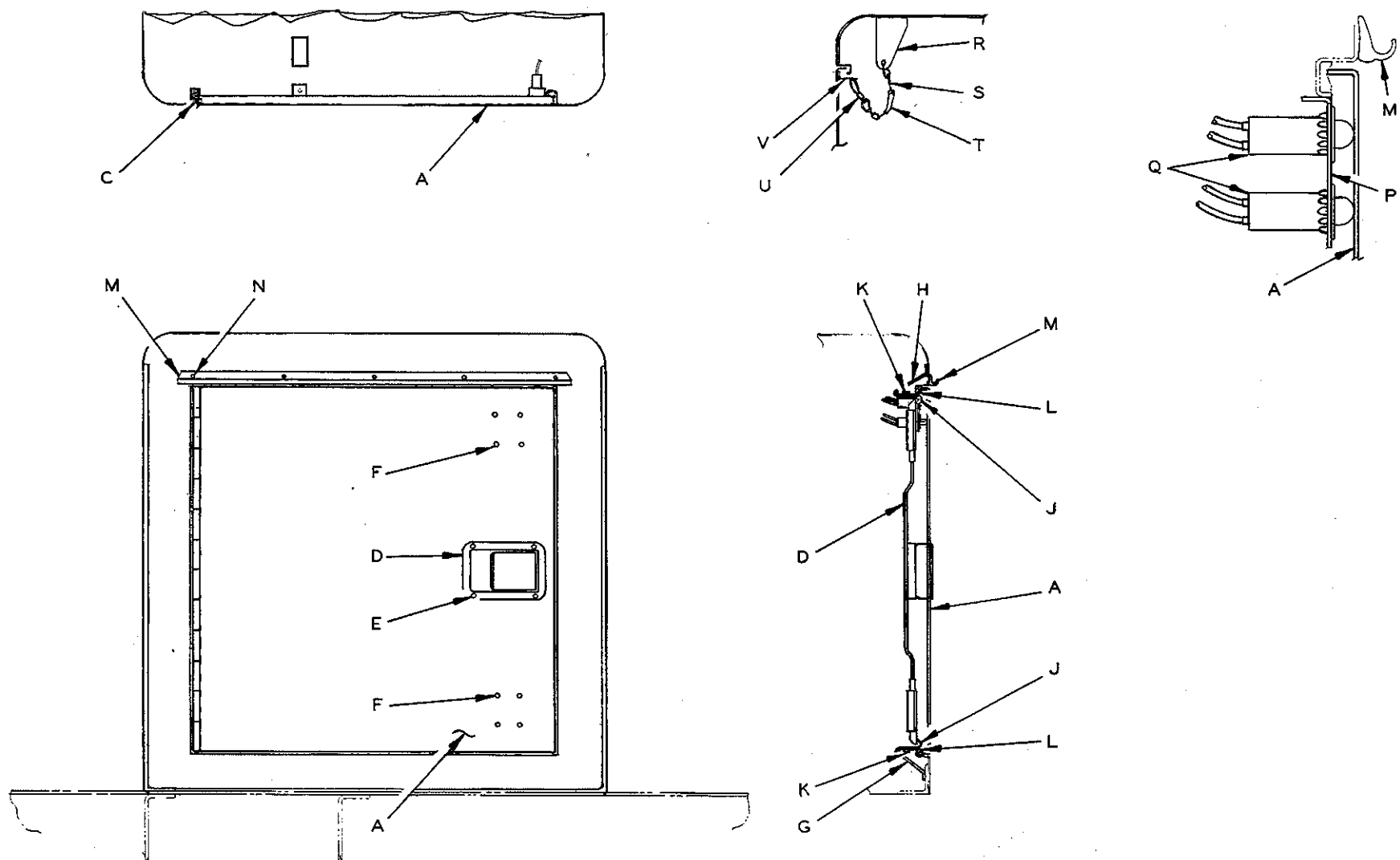
CHASSIS NUMBER must always be given with PART NUMBER when ordering.



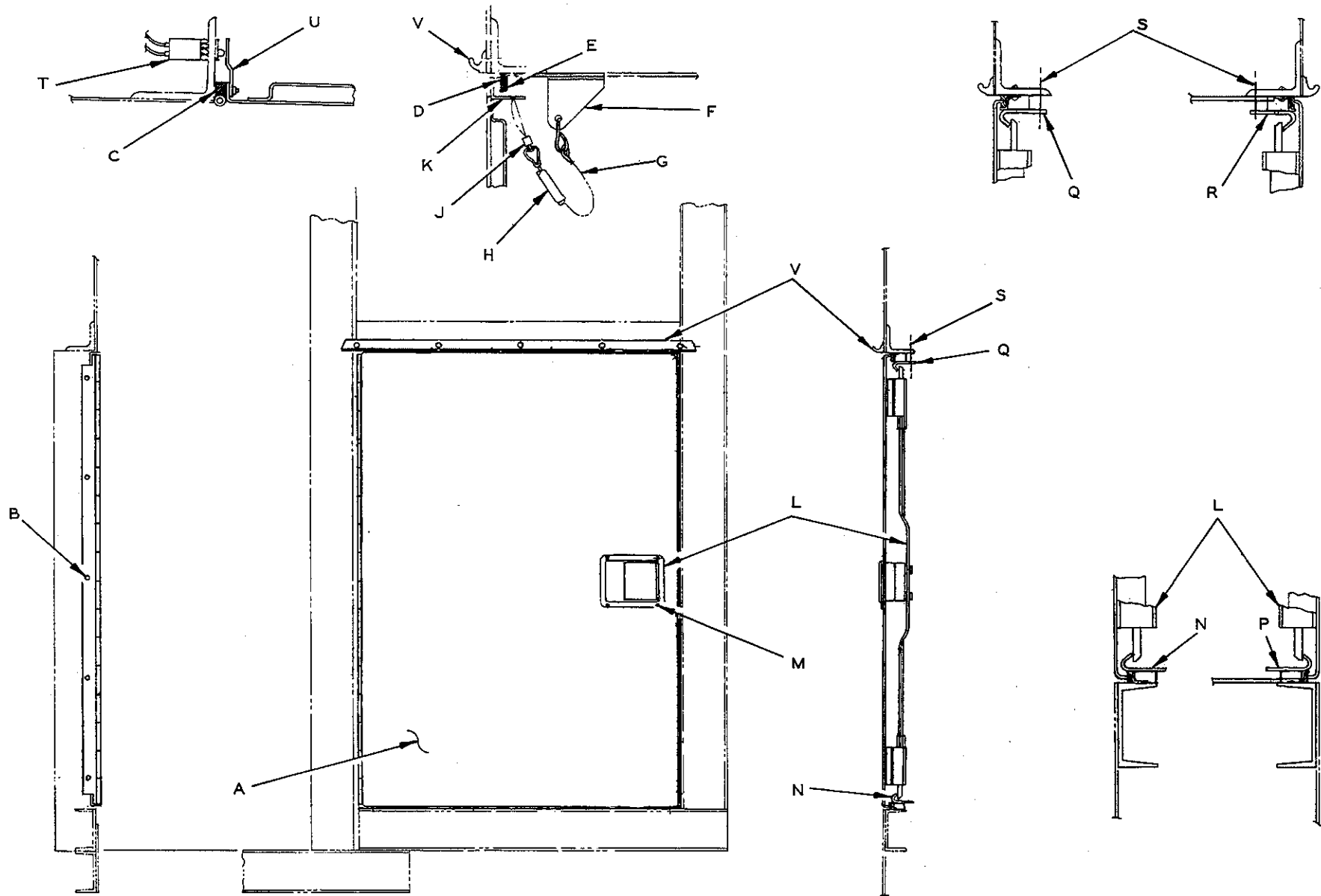
SIDE DOOR ARRANGEMENT (AT ENGINE)



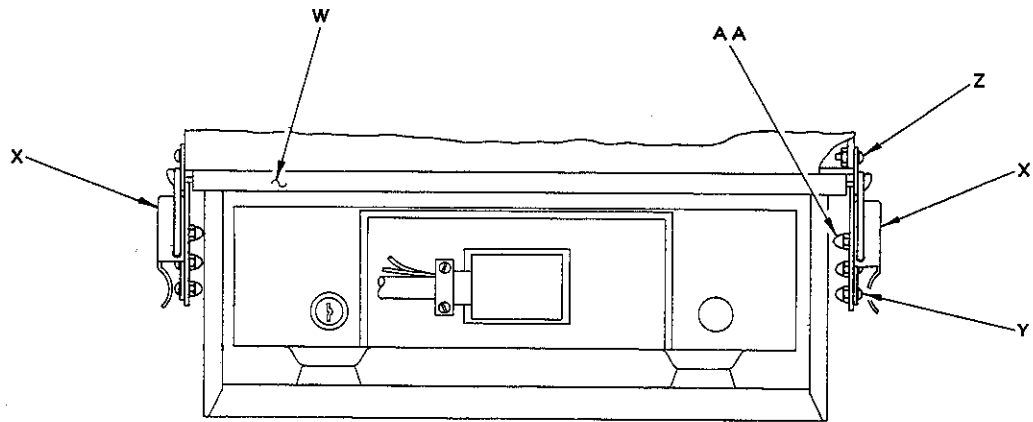
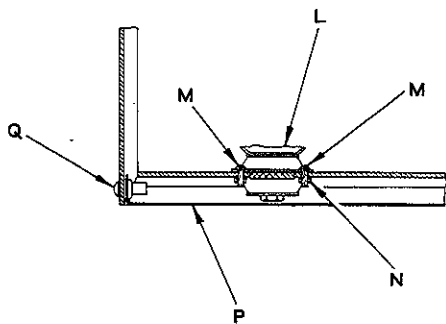
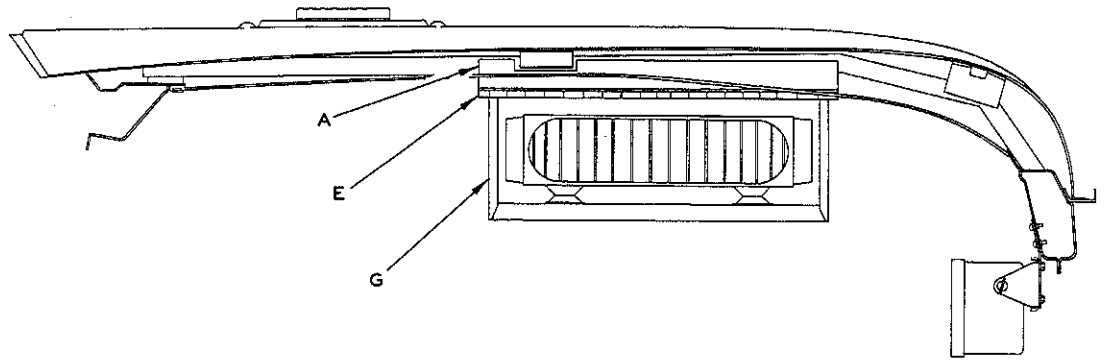
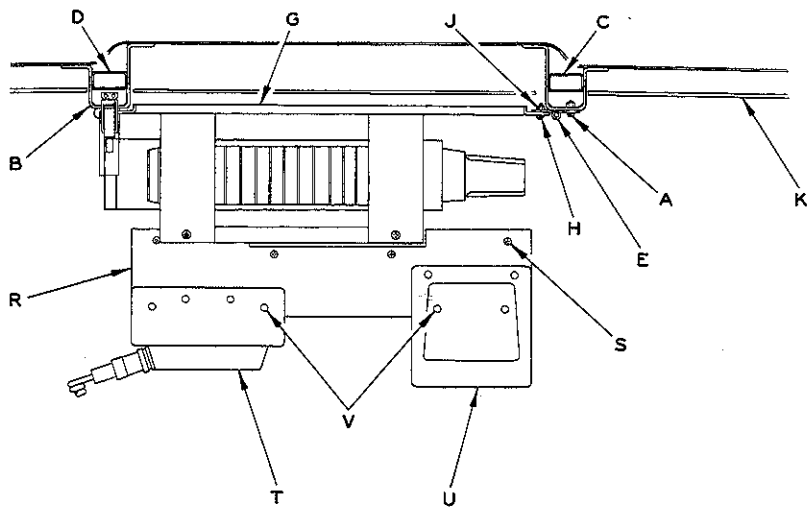
VALVE STATION COMPARTMENT DOOR ARRANGEMENT



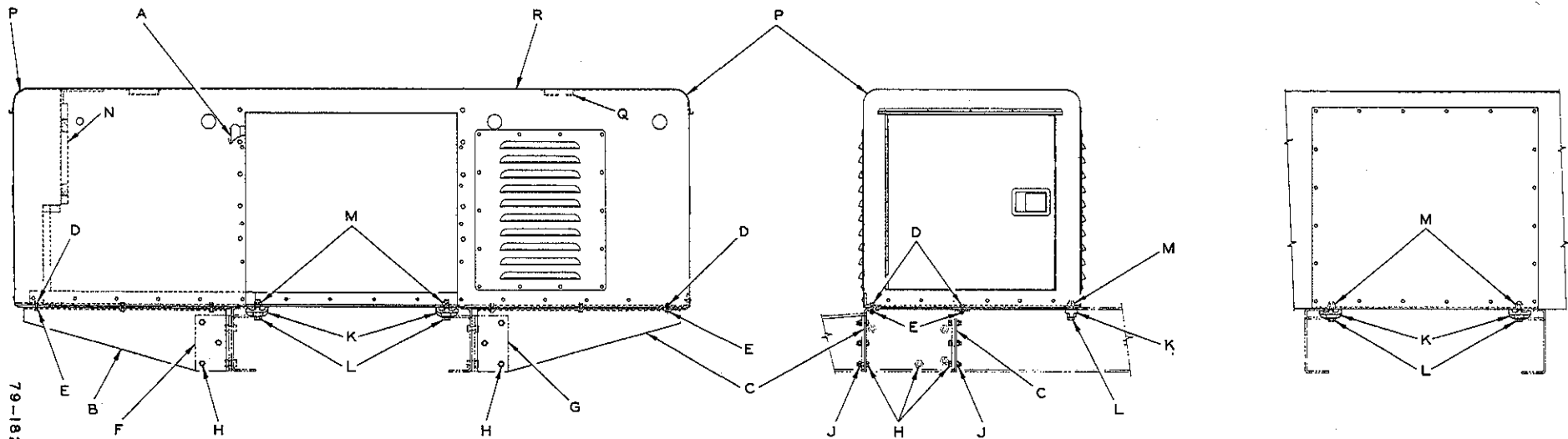
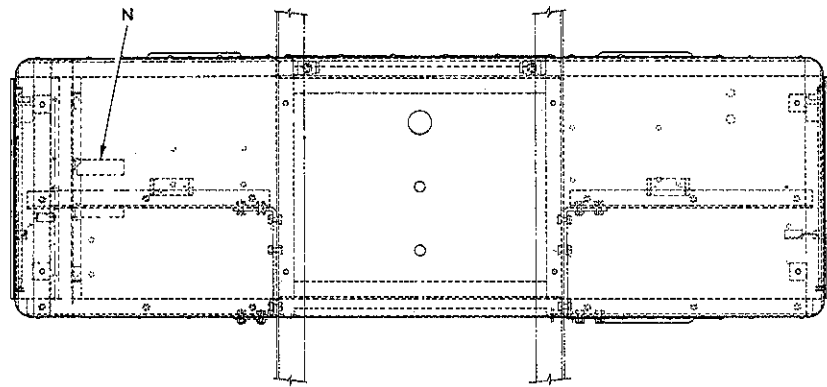
TRACTOR COMPARTMENT DOOR MOUNTING ARRANGEMENT



TRUCK BODY COMPARTMENT DOOR ARRANGEMENT



RADIO MOUNTING ARRANGEMENT



79-182-2

COMPARTMENT MOUNTING ARRANGEMENT



ITEM NO.	PART NUMBER	DESCRIPTION	NO. REQ.
<u>SECTION 36A - 49QUA 48 L.H. &amp; 47 R.H.</u>			
1	49QU 45	SHUTTER, Air Filter R.H.	1
2	49QU 46	SHUTTER, Air Filter L.H. (For Components, see back of Group)	1
Attaching Parts:			
3		SCREW, mach. Truss Phillips hd. #10-32 NF x 7/8 (130AX 1248)	4
4		WASHER, Lock, #10 I.D. (36AX 77)	4
5	8RU 350P8	HINGE, Air Filter Shutter	2
6	2MD 188	FILTER, Air	8
7	2MD 189	FRAME, Air Filter	8
Attaching Parts:			
8		SCREW, cap, 1/4-28 NF x 3/4 (Full thd.) (1AX 374)	64
9		NUT, hex. 1/4-28 NF (20AX 1)	64
10		WASHER, Lock, 1/4 I.D. (36AX 1)	64



TITLE SIDE DOOR ARRANGEMENT (AT ENGINE)

ILLUSTRATION #21-1813-1.

KEY	PART NUMBER	DESCRIPTION	NO. REQ.
<u>SECTION 37A - 21RM 510</u>			
A	21RM 463	DOOR ASSY., Front L.H.	1
B	21RM 462	DOOR ASSY., Rear R.H.	1
C	8RU 350P6	Each Includes: HINGE	1
C-1		Attaching Parts: SCREW, Machine Rd. Phillips hd. #10-32 NF x 1/2 (130AX802)	13
C-2		NUT, Hex. Stl. #10-32 NF (53AX 6)	13
C-3	35AX 1024	WASHER, Lock	13
C-4	37AX 469	WASHER, Plain	13
D	842AX 69	MOULDING, Rubber	2
E	812AX 69	FILLER, Rubber Moulding	2
F	18QX 220P1	GLASS	2
G	62QS 19003P4	LOCK, Door	1
G-1		Attaching Parts: SCREW, Machine Rd. Phillips Hd. #10-32 NF x 7/8 (130AX805)	30
G-2		NUT, Hex. #10-32 NF (53AX 6)	30
G-3	35AX 1024	WASHER, Lock	30
G-4	37AX 469	WASHER, Plain	30
H	21RM 465	DOOR ASSY., Intermediate L.H.	1
J	21RM 464	DOOR ASSY., Intermediate R.H.	1
K	8RU 350P6	Each Includes: HINGE	1
K-1		Attaching Parts: SCREW, Machine Rd. Phillips Hd. #10-32 NF x 1/2 (130AX802)	15
K-2		NUT, Hex. Stl. #10-32 NF (53AX 6)	15
K-3	35AX 1024	WASHER, Lock	15
K-4	37AX 469	WASHER, Plain	15
L	842AX 77	MOULDING, Rubber	1
M	812AX 77	FILLER, Rubber Moulding	1
N	18QX 220P2	GLASS	2
P	117MF 114	GUIDE, Door (L.H. Side)	1
Q		Attaching Parts: SCREW, Machine Flat Phillips Hd., #5-40 NC x 1 (130AX 148)	10
Q-1		NUT, Hex. Stl., #5-40 NC (53AX 24)	10
Q-2		WASHER, Lock #5 I.D. (36AX 71)	10
R	181QS 116	STRIKER, Door	2
S		Attaching Parts: SCREW, Cap 1/4-28 NF x 7/8 (3/4"thd.)(1AX 32)	4
T	21AX 441	NUT, (1/4-28 NF)	4
T-1	37AX 471	WASHER, Plain	4
U	24RU 3308P12	MOULDING, Drip	1
V		Attaching Parts: SCREW, Tapping Type "B" Oval Phillips Hd. #6-20 x 3/8 (133AX 188)	17
W	146QX 27	TRACK, Door	2
X		Attaching Parts: SCREW, Machine Flat Phillips Hd. 1/4-28 NF x 1-1/4 (130AX691)	18
Y	21AX 441	NUT, (1/4-28 NF)	18
Z	37AX 471	WASHER, Plain	18
AA	55MX 133	ROLLER, Door (Upper)	2
AB	55MX 134	ROLLER, Door (Lower)	2
AC	43RU 1530	Attaching Parts: SCREW(1/4-28 NF)	2
AD		NUT, Hex. 1/4-28 NF (20AX 1)	2
AD-1	97AX 57	RING, Snap	2
AE	32MR 1123	BRACKET, Switch Actuating	1
AF	1MR 1206	SWITCH, Door Lamp	1

ILLUSTRATION #21-1813-5

KEY	PART NUMBER	DESCRIPTION	NO. REQ.
		513R.H. SECTION 40A- 21RMA 514L.H.	
A	21RM 449P40	DOOR, Compartment	1
		Attaching Parts:	
B		SCREW, machine rd Phillips hd, #10-32 NF x 7/8 (130AX 805)	5
B-1		NUT, hex, stl. #10-32 NF (53AX 6)	5
B-2	35AX 1024	WASHER, Lock	5
B-3	37AX 469	WASHER, plain	5
C	33RU 19018P33	SEAL, Compartment Door Rubber, 33"lg. (At Hinge)	1
D	33RU 19011P78	SEAL, Compartment Door Rubber, 78"lg.	1
E	25RU 133	MOULDING, Compartment Door Rubber Seal	1
F	72RU 2523	BRACKET, Compartment Door Chain Anchor	1
		Attaching Parts:	
F-1	71RU 12223	PLATE, Compartment Door Chain Anchor (L.H.)	1
F-2		SCREW, cap. 1/4-28NF x 7/8 (3/4"Thd)(LAX 32)	2
F-3	21AX 441	NUT, (1/4-28 NF)	2
G	60RU 156P10	CHAIN, Compartment Door Stop	1
H	58RU 19002	COVER, Compartment Door Stop Chain	1
J	63RU 140	SWIVEL, Door Stop Chain	1
K	75QE 128	BRACKET, Door Stop Chain Swivel	1
L	62QS 141	LOCK, Compartment Door	1
		Attaching Parts:	
M		SCREW, machine rd Phillips hd, #8-32 NC x 3/8 (130AX 203)	4
M-1		NUT, hex, stl, #8-32 NC (53AX 2)	4
M-2	35AX 242	WASHER, Lock	4
M-3		SCREW, machine rd. Phillips hd, #10-32 NF x 1/2 (130AX 802)	8
M-4	35AX 1024	WASHER, Lock	8
N	181QS 116	STRIKER, Door Lock, Lower L.H.	1
P	181QS 116	STRIKER, Door Lock, Lower R.H.	1
Q	181QS 116	STRIKER, Door Lock Upper L.H.	1
R	181QS 116	STRIKER, Door Lock Upper R.H.	1
R-1	55QF 130	PAD, Door Lock Striker	4
		Attaching Parts:	
S		SCREW, Cap, 1/4-28NF x 5/8 (Full thd.)(LAX 8)	8
S-1	35AX 1184	WASHER, Lock	8
S-2	37AX 470	WASHER, Plain	8
T	1MR 1206	SWITCH, Compartment Door Lamp	3
U	32MR 1127	BRACKET, Switch Actuating	1
V	24RU 3308P11	MOULDING, Compartment Door Drip	1
V-1	4MR 2142	PLATE, Instruction (Color Code)	1

TITLE COOLANT TANK SPOUT ACCESS DOOR MOUNTING ARRANGEMENT

LINE NO.	PART NUMBER	DESCRIPTION	NO. REQ.
<u>SECTION 41A - 58RUA 3134</u>			
1	8RU 2224	HINGE, Access Door	1
Attaching Parts:			
2		RIVET, Alum, 2S-Q Brazier hd. 3/16 x 5/8(27AX 152)	8
3	58AX 239	SPRING, Access Door Hinge	1

Illustration #21-1813-2.

KEY	PART NUMBER	DESCRIPTION	NO. REQ.
<u>SECTION 42A - 21RMA 511 R.H. &amp; 512 L.H.</u>			
A	21RM 3134	DOOR, Compartment	1
B		Attaching Parts:	
B-1		SCREW, Machine, rd. Phillips hd. #10-32 NF x 7/8 (130AX 805)	4
B-2	35AX 1024	NUT, Hex. stl. #10-32 NF (53AX 6)	4
B-3	37AX 469	WASHER, Lock	4
C	33RU 19018P20	WASHER, Plain	4
D	33RU 19011P40	SEAL, Compartment Door Rubber, 20" Lg. (At Hinge)	1
E	72RU 2527	SEAL, Compartment Door Rubber, 40" Lg.	1
F	60RU 156P10	BRACKET, Compartment Door Chain Anchor	1
G	58RU 19002	CHAIN, Compartment Door Stop	1
H	63RU 140	COVER, Compartment Door Stop Chain	1
J	75QE 134	SWIVEL, Door Stop Chain	1
K	62QS 236	BRACKET, Door Stop Chain Swivel	1
L		LOCK, Compartment Door	1
L-1		Attaching Parts:	
L-2		SCREW, Machine rd. Phillips hd. #8-32 NC x 3/8 (130AX 203)	4
M	35AX 242	NUT, Hex. stl. #8-32 NC (53AX 2)	4
N	50MO 124	WASHER, Lock	4
P	73RU 11896	BRACKET, Compartment Lamp	1
Q	181QS 116	BRACKET, Door Lock Striker	1
Q-1		STRIKER, Door Lock	1
Q-2		Attaching Parts:	
Q-3		SCREW, Cap, 1/4-28 NF x 3/4 (Full thd.) (1AX 374)	2
R	35AX 1026	NUT, Hex. 1/4-28 NF (20AX 1)	2
S	37AX 471	WASHER, Lock	2
	1MR 1206	WASHER, Plain	2
	32MR 1127	SWITCH, Compartment Door Lamp	2
		BRACKET, Switch Actuating	1

Illustration #79-182-2.

KEY	PART NUMBER	DESCRIPTION	NO. REQ.
<u>SECTION 63A - 79RBA 59</u>			
A	56RM 53	FRAME COMPLETE, Compartment	1
B	57QY 254	SUPPORT, Compartment R.H.	2
C	57QY 255	SUPPORT, Compartment L.H.	2
D		Attaching Parts:	
E	21AX 475	SCREW, cap, 1/2-20 NF x 1-1/2 (1-1/4"thd.)(1AX 60)	12
E-1	37AX 474	NUT (1/2-20 NF)	12
F	73RU 3473	WASHER, Plain	12
G	73RU 3474	BRACKET, Outrigger Mounting R.H.	1
		BRACKET, Outrigger Mounting L.H.	1
		(See Group 1G)	
H		Attaching Parts:	
J	21AX 360	SCREW, cap, 5/8-18 NF x 1-3/4 (1-1/2"thd.)(1AX 50)	2
J-1	37AX 271	NUT (5/8-18 NF)	12
K	48RU 1568	WASHER, Plain	12
		CLAMP, Compartment Mounting	2
L	1AX 405	Attaching Parts:	
M	21AX 360	SCREW, cap, (5/8-18 NF)	2
M-1	37AX 271	NUT (5/8-18 NF)	2
N	24QR 423	WASHER, Plain	2
		PANEL, Compartment Side	1
N-1		Attaching Parts:	
N-2	21AX 479	SCREW, machine truss Phillips hd. #10-32 NF x 3/4(130AX1247)	4
N-3	37AX 469	NUT (#10-32 NF)	4
P	17RM 163	WASHER, Plain	4
Q	50MO 117	CORNER, Ball	4
R	79RB 58	BRACKET, Automatic Compartment Lamp	2
		COMPARTMENT COMPLETE	1

Illustration #21-1813-4.

KEY	PART NUMBER	DESCRIPTION	NO. REQ.
		473 SECTION 65A - 21RMA 474	
A	21RM 449P47	DOOR, Compartment	1
B		Attaching Parts:	
B-1		SCREW, machine rd. Phillips hd. #10-32 NF x 7/8(130AX 805)	5
B-2	35AX 1024	NUT, hex. stl. #10-32 NF (53AX 6)	5
B-3	37AX 469	WASHER, Lock	5
C	33RU 19018P24	WASHER, Plain	5
D	62QS 141	SEAL, Compartment Door Hinge	1
E		LOCK, Compartment Door	1
E-1		Attaching Parts:	
E-2	35AX 242	SCREW, machine rd. Phillips hd. #8-32 NC x 3/8(130AX 203)	4
F		NUT, hex. stl. #8-32 NC (53AX 2)	4
F-1	35AX 1024	WASHER, Lock	4
G	73RU 11924	SCREW, machine rd. Phillips hd. #10-32 NF x 1/2(130AX 802)	8
H	73RU 11714	WASHER, Lock	8
J	181QS 116	BRACKET, Door Lock Striker (Lower)	1
K		BRACKET, Door Lock Striker (Upper)	1
K-1		STRIKER, Door Lock	2
L	33RU 19011P70	Attaching Parts:	
M	24RU 3308P21	SCREW, cap, 1/4-28 NF x 5/8(Full thd.)(1AX 8)	4
N		WASHER, Lock, 1/4 I.D.(36AX 1)	4
P	72RU 11221	SEAL, Compartment Door	1
Q	1MR 1206	MOULDING, Compartment Door Drip	1
R	72RU 2458P1	Attaching Parts:	
S	60RU 156P12	SCREW, tapping type B, oval Phillips hd. #6-20 x 3/8 (133AX 188)	5
T	58RU 19002P12	BRACKET, Compartment Door Switch	1
U	63RU 140	SWITCH, Compartment Door	3
V	75QE 128	BRACKET, Door Chain Anchor	1
		CHAIN, Door Stop	1
		COVER, Door Stop Chain	1
		SWIVEL, Door Stop Chain	1
		BRACKET, Door Chain Swivel	1

**MACK TRUCK-TRACTOR PARTS BOOK**  
**TITLE TRUCK BODY COMPARTMENT MOUNTING ARRANGEMENT**

GROUP 25 SECTION 82

LINE NO.	PART NUMBER	DESCRIPTION	NO. REQ.
		<u>SECTION 82A - 17RMA 5201</u>	
1	17RM 5193	COMPARTMENT COMPLETE, Right Rear	1
2	50MO 124	BRACKET, Automatic Compartment Lamp	1



ILLUSTRATION #38-1320-1

KEY	PART NUMBER	DESCRIPTION	NO. REQ.
<u>SECTION 83A-38MTA 52</u>			
A	38MT 43	BRACKET, Radio Mounting R.H.	1
B	38MT 42	BRACKET, Radio Mounting L.H.	1
C	16QW 399	BRACKET, Radio Mounting R.H.	1
D	16QW 398	BRACKET, Radio Mounting L.H.	1
E	8RU 2231	HINGE, Radio Mounting Bracket	1
F		Attaching Parts:	
F-1	35AX 323	SCREW, machine rd. Phillips hd, 1/4-28 NF x 5/8 (130AX 830)	5
G	38MT 51	WASHER, Lock	5
		BRACKET, Radio Mounting	1
		Attaching Parts:	
H		SCREW, machine rd. Phillips hd, 1/4-28 NF x 5/8 (130AX 830)	5
J		NUT, hex, 1/4-28 NF (20AX 1)	5
J-1	35AX 323	WASHER, Lock	5
K	116QS 438	PANEL, Trim (Center Section)	1
L	---	ABSORBER, Radio Mounting Shock	AR
		Attaching Parts:	
M		SCREW, machine rd. Phillips hd, #6-40 NF X 3/8 (130AX 776)	16
N		NUT, hex, stl, #6-40 NF (53AX 30)	16
N-1	35AX 241	WASHER, Lock	16
P	58RU 3150	COVER, Shock Absorber Mounting	2
		Attaching Parts:	
Q		SCREW, machine rd. Phillips hd, #10-32 NF X 5/8 (130AX 803)	4
Q-1	35AX 243	WASHER, Lock	4
R	38MT 44	BRACKET, Radio Speaker & Control	1
		Attaching Parts:	
S		SCREW, machine rd. Phillips hd, #10-32 NF X 5/8 (130AX 803)	4
S-1	26AX 69	RIVNUT (#10-32 NF)	4
S-2	35AX 243	WASHER, Lock	4
S-3	37AX 526	WASHER, Plain	4
T	---	HEAD, Radio Control	AR
U	---	SPEAKER, Radio	AR
		Attaching Parts:	
V		SCREW, machine rd. Phillips hd, #10-32 NF x 5/8 (130AX 803)	8
V-1	35AX 242	WASHER, Lock	8
W	258AX 15	SEAL, Radio Compartment Rubber	1
X	3QM 19002	LATCH, Radio Compartment	2
		Attaching Parts:	
Y		SCREW machine rd. Phillips hd, #10-32 NF x 3/8 (130AX 803)	6
Z		SCREW, machine rd. Phillips hd., #10-32 NF X 5/8 (130AX 803)	4
AA	21AX 576	NUT (#10-32 NF)	6
AA-1	35AX 243	WASHER, Lock	6



TITLE FUEL GAUGE ACCESS DOOR MOUNTING ARRANGEMENT

LINE NO.	PART NUMBER	DESCRIPTION	NO. REQ.
<u>SECTION 93A - 21RMA 2427</u>			
1	21RM 2402P3	DOOR, Access	1
		Attaching Parts:	
2		SCREW, Machine Rd. Phillips Hd., #10-32 NFX 3/4 (130AX804)	3
3		NUT, Hex. stl., #10-32 NF (53AX 6)	3
4		WASHER, Lock #10 I.D. (36AX 14)	3
5	54QS 126	STOP, Latch	1
		Attaching Parts:	
6		SCREW, Machine Flat Phillips Hd., #12-24 NC x 1-3/4 (130AX 89)	2
7		NUT, Hex. Stl., #12-24 NC (53AX 4)	2
8	35AX 1184	WASHER, Lock	2
9	33RU19030P19	RUBBER, Sponge, Access Door	1
10	62QS 180	LATCH, Access Door	1
		Attaching Parts:	
11		SCREW, Machine Oval Phillips Hd. #6-32 NC x 5/8 (130AX317)	2
12		NUT, Hex. Stl., #6-32 NC (53AX 1)	2
13		WASHER, Lock #6 I.D. (36AX 16)	2

MACK CHASSIS NUMBER must always be given with PART NUMBER when ordering.

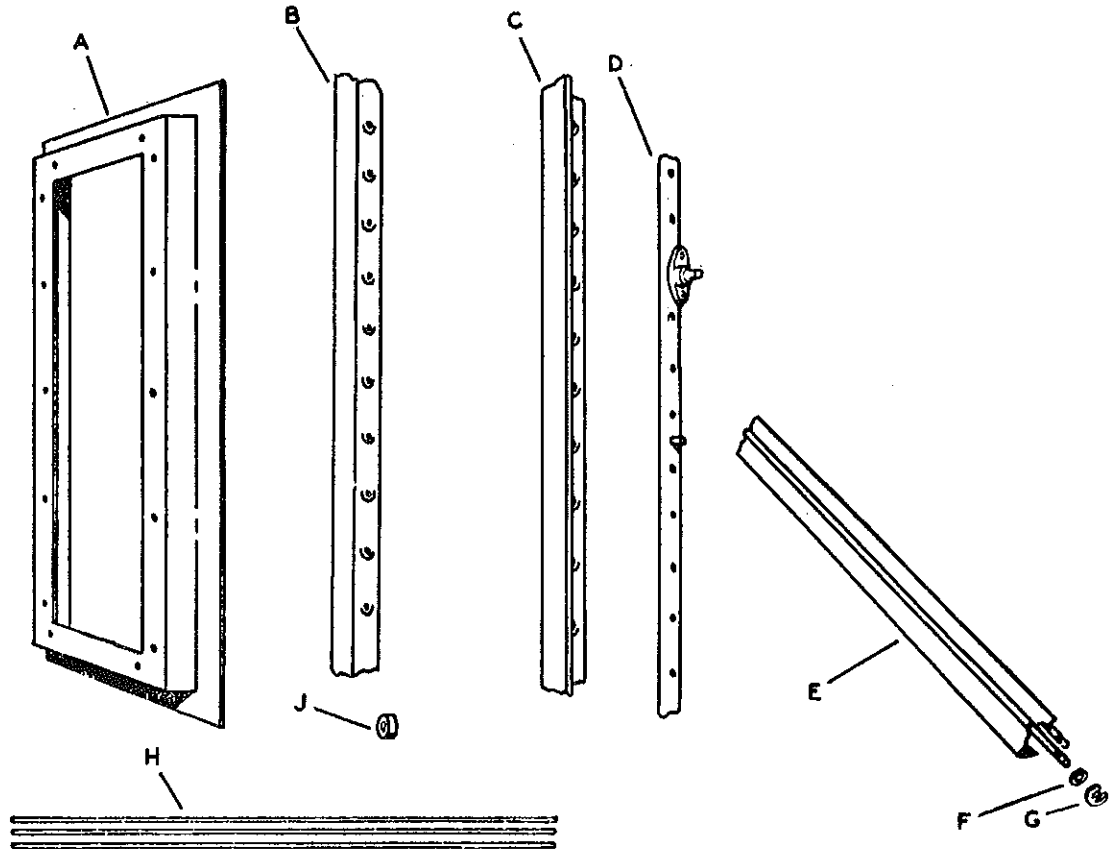
COMPONENT PARTS

49QU 45 (R.H.)

49QU 46 (L.H.)

RADIATOR SHUTTER

2-137-20



KEY	PART NUMBER	DESCRIPTION	NO. REQ.
A	4769 D-21907-R	FRAME ASSEMBLY, Shutter (For 49QU 45 Only)	1
A	4769 D-21907-L	FRAME ASSEMBLY, Shutter (For 49QU 46 Only)	1
B	4769 C-21910-L	ANGLE ASSEMBLY (Opposite Control Bar Side) (For 49QU 45 Only)	1
B	4769 C-21910-R	ANGLE ASSEMBLY, Opp. Control Bar Side (For 49QU 46 Only)	1
C	4769 C-21911-R	ANGLE ASSEMBLY, Control Bar Side (For 49QU 45 Only)	1
C	4769 C-21911-L	ANGLE ASSEMBLY, Control Bar Side (For 49QU 46 Only)	1
D	4769 C-21912-R	BAR ASSEMBLY, Control (For 49QU 45 Only)	1
D	4769 C-21912-L	BAR ASSEMBLY, Control (For 49QU 46 Only)	1
E	4769 B-19367	VANE, VANE ROD & SEAL ASSEMBLY (For 49QU 45 Only)	21
E	4769 B-19368	VANE, VANE ROD & SEAL ASSEMBLY (For 49QU 46 Only)	21
-	4769 B-16302	SEAL, Vane (20-15/32" Long)	42
F	4769 B-5940	WASHER, Vane	42
G	4769 B-7426	RING, "E" Retaining	42
H	4769 B-6322-42	WIRE, Anti-Rattle (42" Long)	2
J	4769 B-1884	BUSHING	42
-	4769 C- 21913	BAR ASSEMBLY, Center	1
-	4769 212X	SPRING	2

IK

COMPONENT PARTS

49QU 45 (R.H.)  
 49QU 46 (L.H.)  
RADIATOR SHUTTER (Cont.)

KEY	PART NUMBER	DESCRIPTION	NO. REQ.
-	4769 C-16189-12	ROD ASSEMBLY, Control (14-15/16" Long)	1
-	4769 B-19072	AIR CYLINDER ASSEMBLY (For Components, see back of Group)	1

# *Mack* PARTS BOOK

PAGE



CHASSIS NUMBER must always be given with PART NUMBER when ordering.

LINE NO.	PART NUMBER	DESCRIPTION	NO. REQ.
<u>SECTION 82A - 95RSA 471</u>			
1	62RU 117	SHAFT, Pump Drive (See Group 1G, Section 52)	1
2	95RS 1986	PUMP, High Capacity Water (See Group 1G, Section 52)	1
3	43RU 1539P2	Attaching Parts: SCREW (3/4-16 NF)	2
4		SCREW, cap, 3/4-16 NF x 4-1/2 (1-3/4"thd.)(LAX 191)	14
5	21AX 440	NUT (3/4-16 NF)	16
6	37AX 476	WASHER, Plain	16

# Mack PARTS BOOK

## INDEX

### GROUP #29

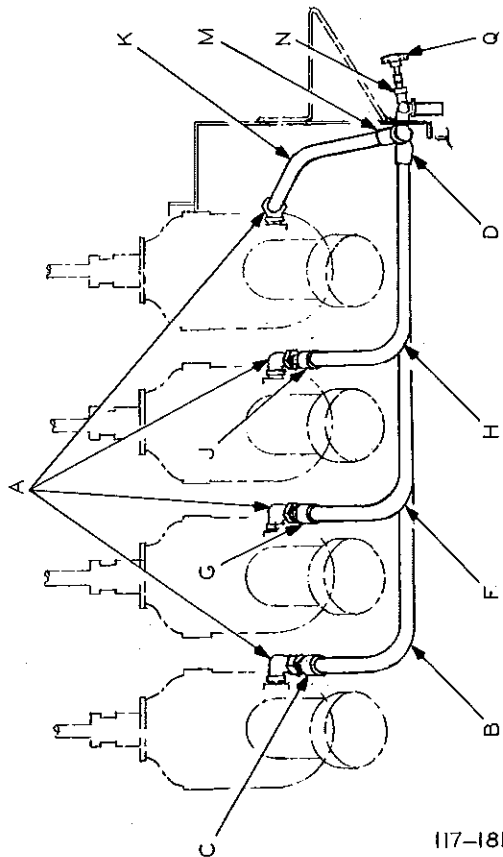
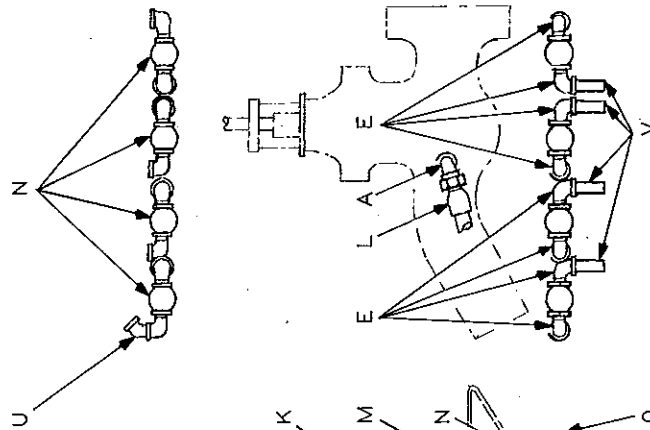
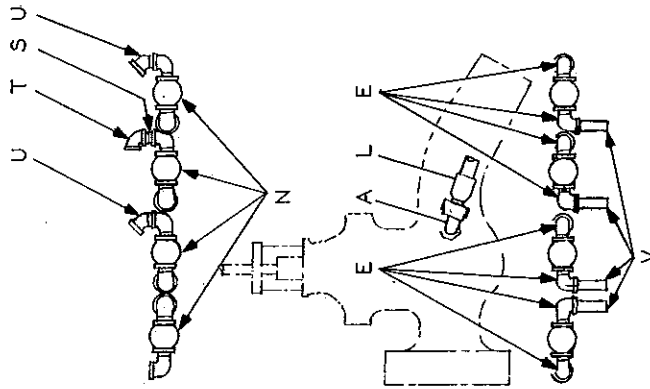
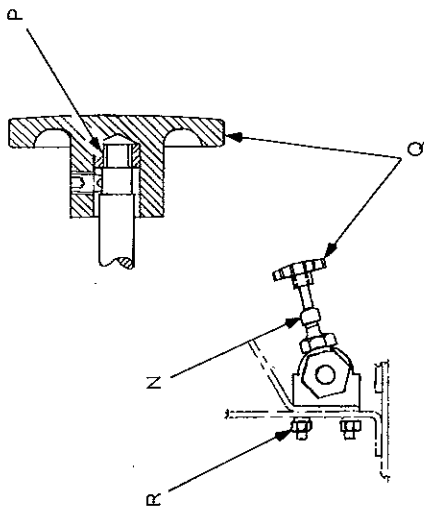
#### SPECIAL EQUIPMENT

30RS 1367	VALVE COMPLETE, Fire Pump Discharge (See Component)	8
30RS 1368	VALVE, Fire Pump Check (See Component)	4
1MT 155	GAUGE, Bronze Water	1

#### COMPONENTS

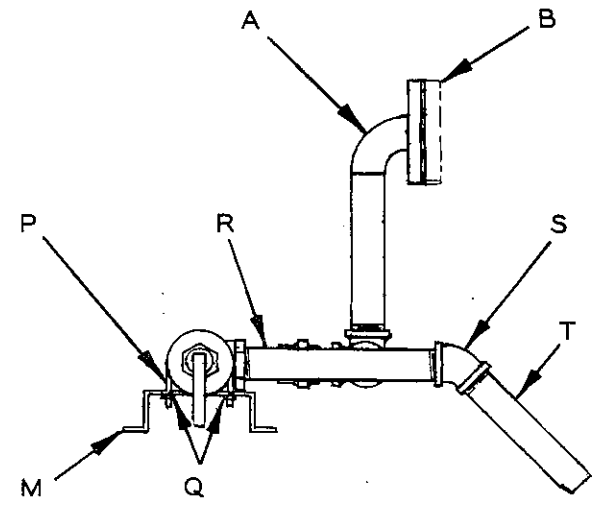
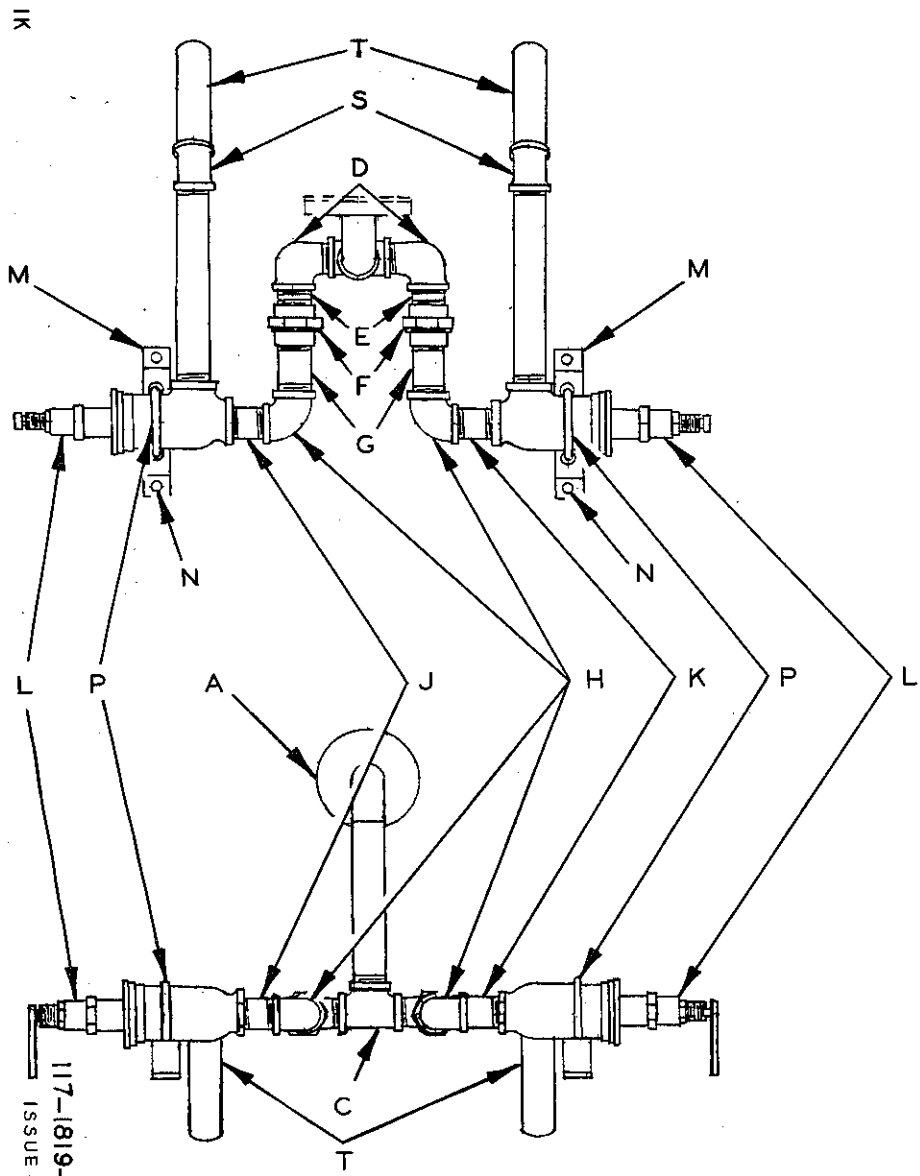
20QE 1129  
30RS 233P1  
30RS 233P2  
30RS 1328  
30RS 1367  
30RS 1368  
30RS 1390  
30RS 1394  
30RS 1400  
30RS 19004





PRESSURE RELEASE PIPING ARRANGEMENT

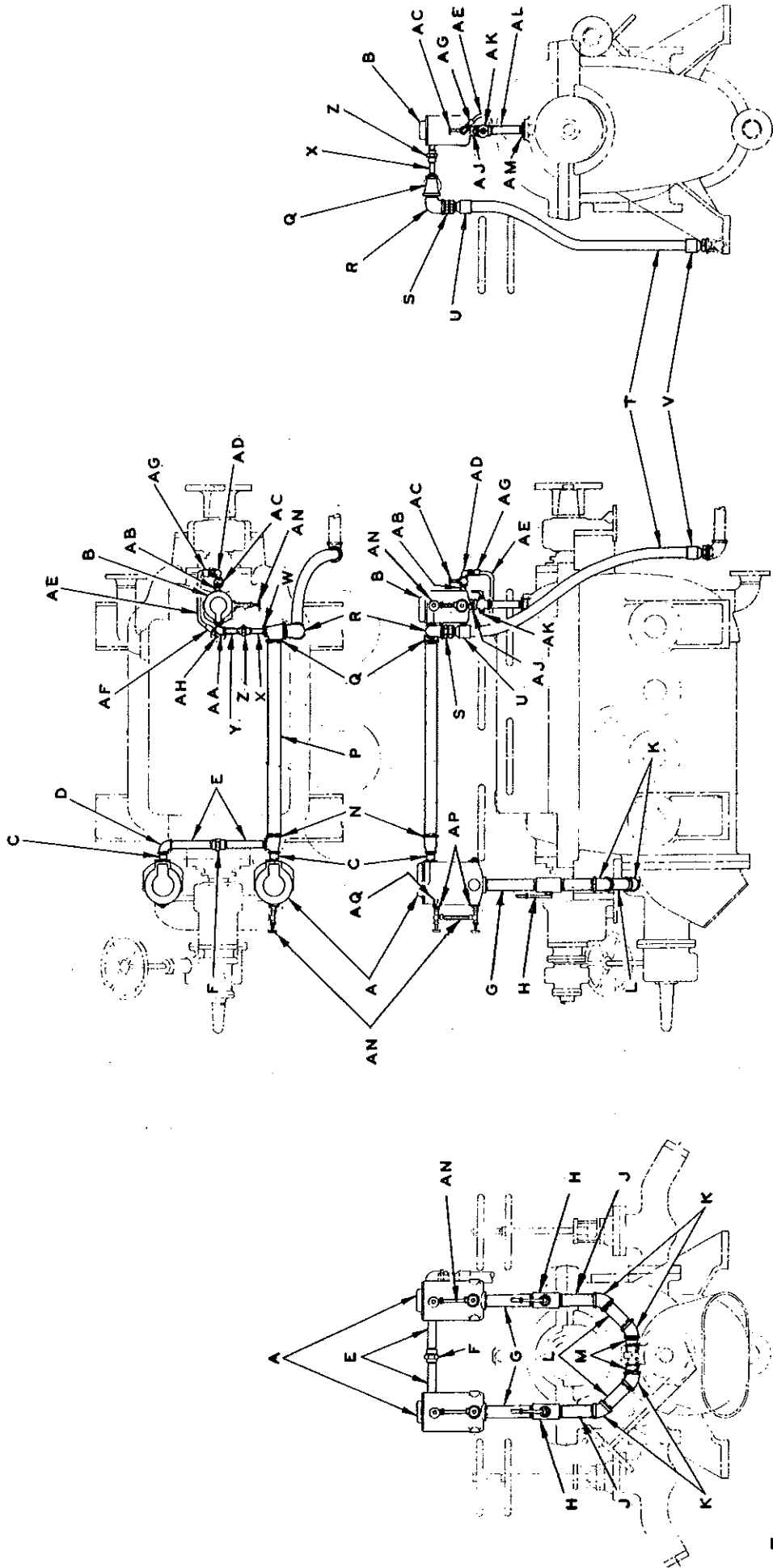




117-1819-22  
ISSUE - 2

PUMP CIRCULATING PIPING ARRANGEMENT

IK



PRIMING SYSTEM ARRANGEMENT



TITLE PRIMING SYSTEM ARRANGEMENT

LINE NO.	PART NUMBER	DESCRIPTION	NO. REQ.
SECTION 45A - 117RSA 548			
1		ELBOW, Pipe 90° iron 2 NPT (63AX 84)	6
2	4RD 2207P11	PIPE, Priming System (49.44" Lg.)	2
3	63AX 36	ELBOW, 45°, Priming System	1
4	63AX 3260	NIPPLE, Priming System Elbow	1
5	63AX 4028	TEE, Priming System Reducer	1
6	63AX 4060	BUSHING, Drain Valve Reducer	1
7	4RD 2207P12	PIPE, Drain Valve	1
8	3ORS 1377	VALVE, Vacuum Line Drain	1
9	4RD 2207P1	PIPE, Priming System (93.44" Lg.)	1
10	63AX 3253	NIPPLE, Priming System	3
11	73RU 11932	BRACKET, Pipe	2
12	73RU 11931	BRACKET, Pipe	1
13	120AX 5	"U" BOLT, Priming System Pipe	3
14	21AX 441	Attaching Parts: NUT, (1/4-28 NF)	6
15	37AX 435	WASHER, Plain	6
16	120AX 70	"U" BOLT, Priming System Pipe	4
17	21AX 313	Attaching Parts: NUT(3/8-24 NF)	8
18	37AX 7	WASHER, Plain	8
19	4RD 2207P2	PIPE, Priming System (120.69" Lg.)	1
20	36RUA 340P104	HOSE ASSY., Priming System	1
21		Use Units as follows: HOSE, Medium High Pressure 1-3/8" I.D. x 1-3/4 O.D. x 101-15/16 Lg. (905AXA)	1
22	63AX 1731	END, Hose (Male)	2
23	4RD 2207P10	PIPE, Priming System (28.38" Lg.)	1
24	63AX 4038	COUPLING, Hose Assy.	1
25	13AX 3133	CONNECTOR, Hose Assy.	1
26	36RUA 341P48	HOSE ASSY. Priming System	1
27		Use Units as follows: HOSE, Medium High Pressure 1-3/8" I.D. x 1-3/4 O.D. x 45-15/16" Lg. (905AXA)	1
28	63AX 1731	END, Hose (Male)	1
29	63AX 2229	END, Hose (Female)	1
30	59QE 133	COUPLING, Hose Assy.	1
31	63AX 1581	TEE, Reducer HOse Assy.	1
32	63AX 294	NIPPLE, Reducer Tee	1
33	61AX 41	COCK, Drain	1
34	36RUA 316P290	HOSE ASSY., Priming System	1
35		Use Units as follows: HOSE, Medium High Pressure 5/16" I.D. x 11/16" O.D. x 288-5/8" Lg. (899AXA)	1
36	63AX 1719	END, Hose (Female)	1
37	63AX 1725	END, Hose (Male)	1
38	83AX 595	CLAMP, Hose Assy.	3
39		Attaching Parts: SCREW, Machine Truss Phillips Hd. 1/4-20 NC x 3/4 (130AX1271)	3
40	26AX 166	RIVNUT(1/4-20 NC)	3
41	63AX 4021	BUSHING, Reducer, Priming System	1
42	4MR 2141P7	PLATE, Name (Disconnect HOses Before Moving Vehicle )	1
43	4MR 2124P63	PLATE, Name (Priming Line Drain)	1
44		Attaching Parts: SCREW, Tapping Type "A" Rd. Phillips Hd., #6 18 x 1/4 (131AX 80)	2

8/20/65 em-jt

PAGE 29-45-1

MACK CHASSIS NUMBER MUST ALWAYS BE GIVEN WITH PART NUMBER WHEN ORDERING.



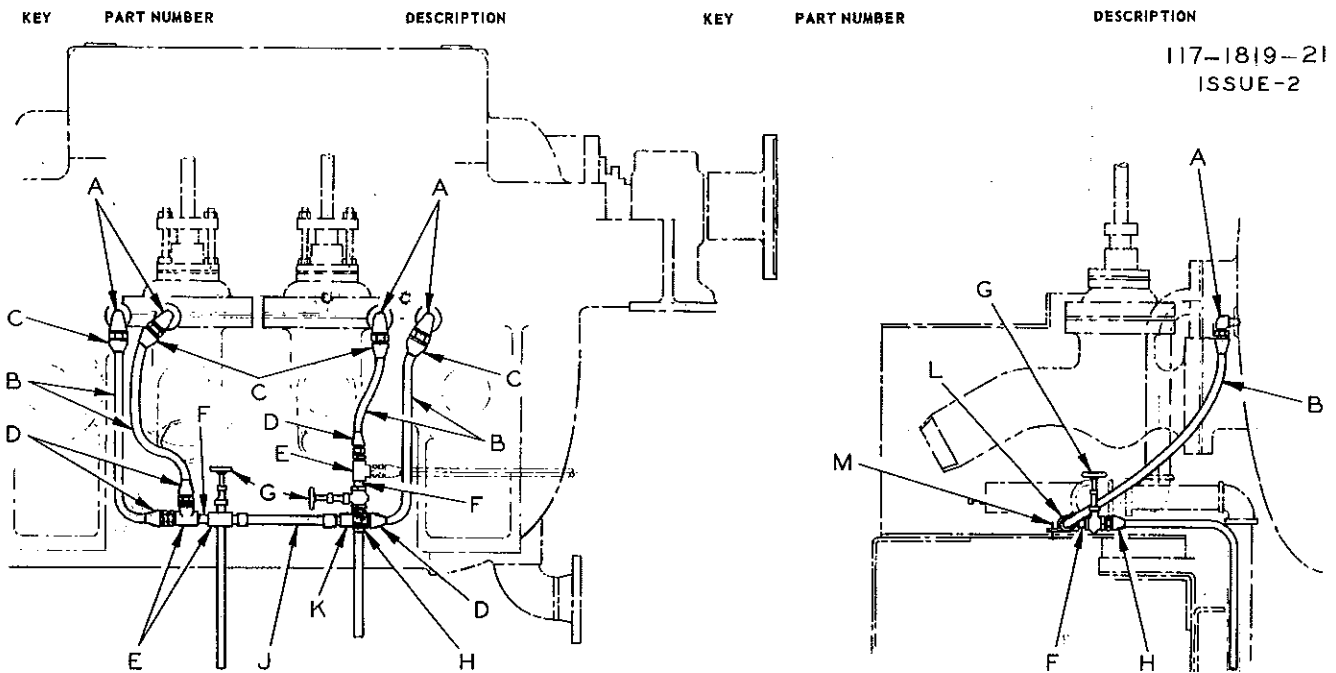
Illustration #117-1819-23.

KEY	PART NUMBER	DESCRIPTION	NO. REQ.
		<u>SECTION 46A - 117RSA 547</u>	
A	30RS 233F1	VALVE, Priming Vacuum (For Components, see back of Group)	2
B	30RS 233F2	VALVE, Priming Vacuum (For Components, see back of Group)	1
C	63AX 3245	NIPPLE, Priming Vacuum Valve	2
D	63AX 280	ELBOW, 90°, Priming Valve Nipple	1
E	63AX 3017	NIPPLE, Priming Valve Crossover	2
F	63AX 281	UNION, Priming Valve Crossover Nipple	1
G	117RS 3022	NIPPLE, Priming System (11-1/2"lg.)	2
H	30RA 1199	VALVE, Priming System Ball (2")	2
J	63AX 4001	NIPPLE, Priming System Ball Valve	2
K	63AX 36	ELBOW, 45°, Priming System	4
L	63AX 1944	NIPPLE, Priming System	2
M	63AX 3251	NIPPLE, Priming System	2
N	136RS 115	TEE, Reducer, Priming System	1
P	117RS 332P17	NIPPLE, Priming System	1
Q	63AX 4027	TEE, Reducer, Priming System	1
R	63AX 91	ELBOW, Street, 90°, Priming System	1
S	63AX 3134	CONNECTOR, Priming System Hose Assembly	1
T	36RUA 3164P56	HOSE ASSEMBLY, Priming System	1
-		Use Units as follows: HOSE, medium high pressure 13/16 I.D. x 2-1/4 O.D. x 53-5/8"L. (906AXA)	1
U	63AX 2230	END, Hose (Female)	1
V	63AX 1732	END, Hose (Male)	1
W	63AX 393	BUSHING Reducer, Priming System	1
X	63AX 1249	NIPPLE, Priming System	1
Y	63AX 3231	NIPPLE, Priming System	1
Z	63AX 392	UNION, Priming System	1
AA	63AX 166	ELBOW, Street, 90° Priming System	1
AB	63AX 1446	NIPPLE, Priming System	1
AC	30RS 1377	VALVE, Priming System Shut-Off	1
AD	63AX 737	ELBOW, Street, 90°, Priming System	1
AE	36RUA 318P24	HOSE ASSEMBLY, Priming System	1
-		Use Units as follows: HOSE, medium high pressure 1/2 I.D. x 15/16 O.D. x 22-1/4"L. (901AXA)	1
AF	63AX 1721	END, Hose (Female)	1
AG	63AX 1727	END, Hose (Male)	1
AH	63AX 1072	ELBOW, Priming System Hose Assembly	1
AJ	63AX 3242	NIPPLE, Priming System	1
AK	30RS 1391	VALVE, Priming System Shut-Off	1
AL	63AX 3243	NIPPLE, Priming System	1
AM	63AX 278	REDUCER, Priming System Nipple	1
AN	IMT 155	GAUGE, Priming Vacuum Valve	2
AP	63AX 1251	BUSHING, Priming Vacuum Valve Gauge	3
AQ	63AX 393	BUSHING, Priming Vacuum Valve Gauge	1



TITLE PUMP DRAIN PIPING ARRANGEMENT

Quantity used is 1 unless otherwise specified in brackets ( ).



117-1819-21  
ISSUE-2

SECTION 48A - 117RSA 464

KEY	PART NUMBER	DESCRIPTION
A	63AX 1072	ELBOW, Hose Assy (4)
B	36RU 318P30	HOSE ASSY, Pump Drain (4)
-	901AXA	Use Units As Follows: HOSE, 28-1/4" Required (4)
C	63AX 1721	END, Hose (Female) (4)
D	63AX 1727	END, Hose (Male) (4)
E	63AX 1512	TEE, Pump Drain (3)
F	63AX 213	NIPPLE (3)
G	30RS 1377	VALVE, Shut-Off (2)
H	63AX 1086	CONNECTOR, Drain Tube (2)
J	63AX 1182	NIPPLE
K	63AX 318	COUPLING, Drain Nipple
L	83AX 392	CLAMP (3)
M	1AX 403	Att Parts: SCREW, 1/4-28 NF x 1-1/8 (3)
M-1	21AX 441	NUT (1/4-28 NF) (3)
M-2	37AX 471	WASHER, Plain (3)

BULK TUBING

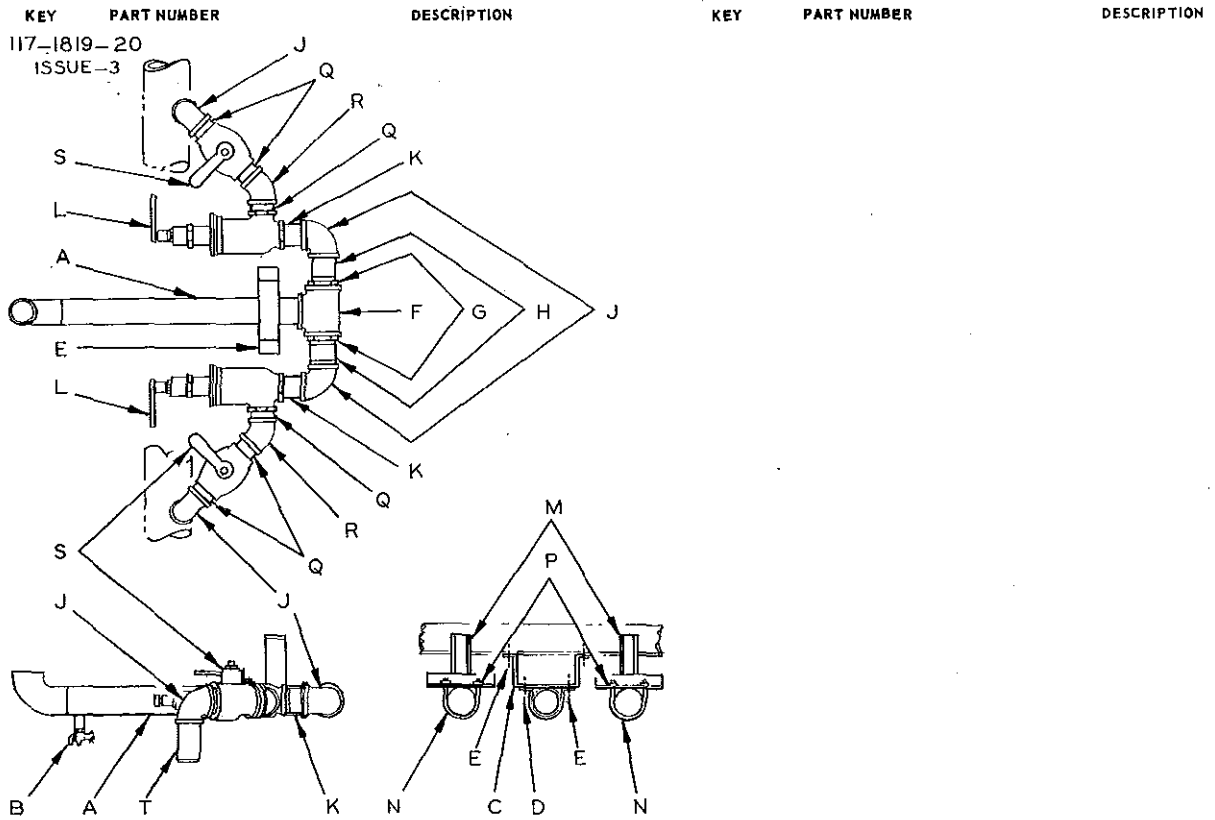
100AX 68FT50	TUBING, 1/2 OD
--------------	----------------





TITLE PUMP CIRCULATING PIPING ARRANGEMENT

Quantity used is 1 unless otherwise specified in brackets ( ).



SECTION 49A- 117RSA 463

KEY	PART NUMBER	DESCRIPTION
A	103RS 26	ADAPTER
B	61AX 41	COCK, Drain
C	48RU 2245	CLAMP
D	48RU 2244	CLAMP
Attaching Parts:		
E	1AX 5	SCREW, 5/16-24 NF x 1-1/8 (8)
E-1	21AX 314	NUT,(5/16-24 NF)(8)
E-2	37AX 68	WASHER, Plain (8)
F	63AX 4051	TEE,
G	63AX 4022	BUSHING Reducer (2)
H	63AX 4008	NIPPLE, (2)
J	63AX 1534	ELBOW, (4)
K	63AX 3257	NIPPLE, (2)
L	30RS 1328	VALVE, Relief (See Component)(2)
M	48RU 2258	CLAMP, Relief Valve (2)
N	120AX 71	"U" BOLT, Relief Valve (2)
Attaching Parts:		
P	20AX 3	NUT, 3/8-24 NF (4)
P-1	36AX 3	WASHER, 3/8 ID (4)
Q	63AX 3256	NIPPLE, Flo-Cont Vlv (6)
R	63AX 1123	ELBOW, 45°, Cont Vlv Npl (2)
S	30RS 19004	VALVE, Flo-Cont (See Component)(2)
T	63AX 1137	NIPPLE, Cont Vlv Elb (2)





## TITLE PUMP CIRCULATING PIPING ARRANGEMENT

Illustration #117-1819-22.

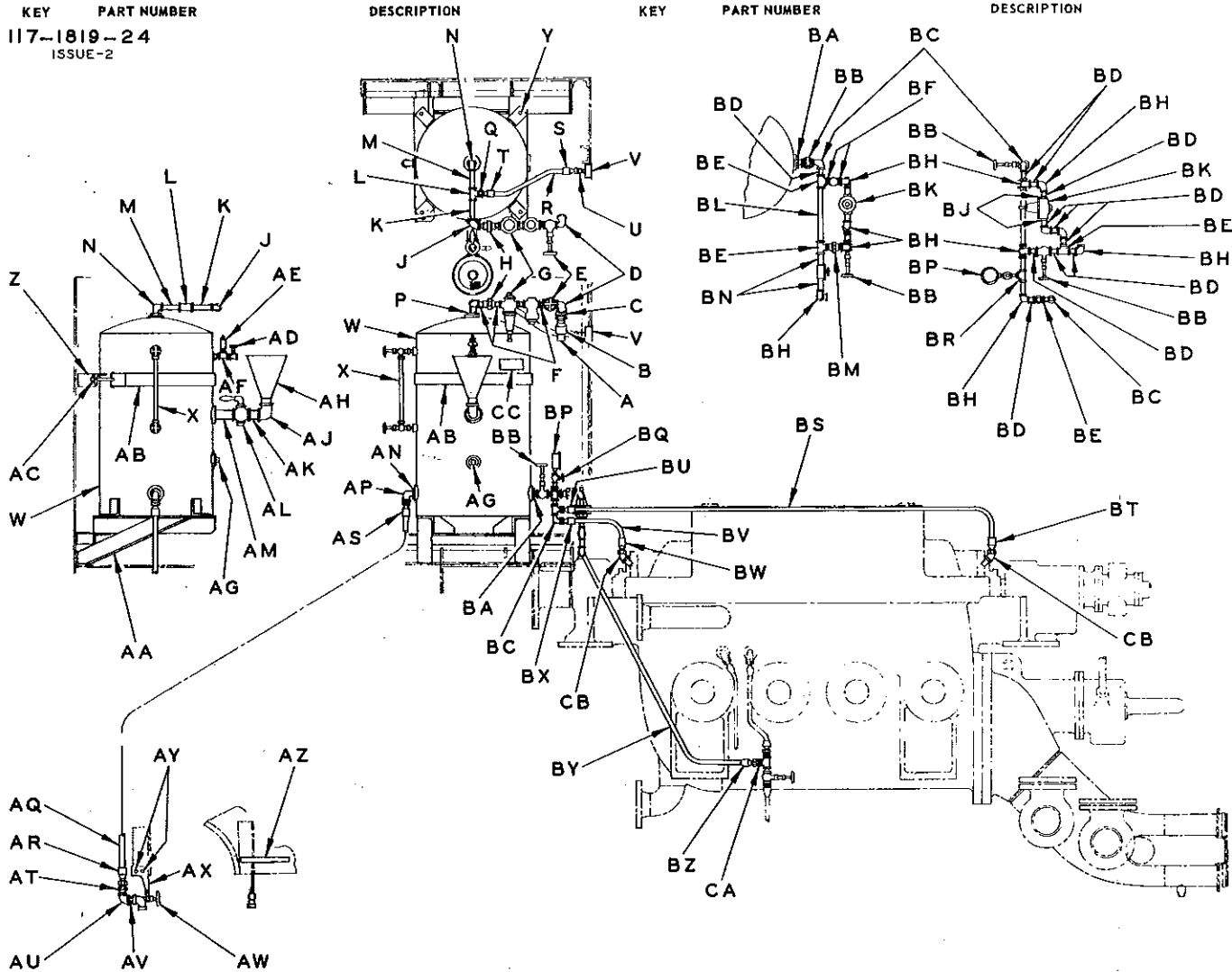
KEY	PART NUMBER	DESCRIPTION	NO. REQ.
<u>SECTION 50A - 117RSA 460</u>			
A	103RS 24	ADAPTER, Pump Circulating	1
B	120MF 131	GASKET, Pump Circulating Adapter	1
C	63AX 4005	TEE, Pump Circulating Adapter	1
D	63AX 91	ELBOW, Street, 90° Adapter Tee	2
E	63AX 86	NIPPLE, Pump Circulating Piping	2
F	63AX 1073	UNION, Pump Circulating Piping Nipple	2
G	63AX 4001	NIPPLE, Pump Circulating Piping	2
H	63AX 84	ELBOW, 90°, Pump Circulating Piping	2
J	63AX 3251	NIPPLE, Pump Circulating Piping	1
K	63AX 3260	NIPPLE, Pump Circulating Piping	1
L	3ORS 1394	VALVE, Pump Circulating Piping Relief (For Components, see back of Group)	2
M	48RU 2253	CLAMP, Relief Valve	2
N		Attaching Parts:	
N-1	21AX 313	SCREW, cap, 3/8-24 NF x 1-1/4 (1"thd.)(1AX 24)	4
N-2	37AX 472	NUT (3/8-24 NF)	4
P	120AX 86	WASHER, Plain	4
Q	21AX 313	"U" BOLT, Relief Valve Mounting	2
Q-1	37AX 472	Attaching Parts:	
R	63AX 1643	NUT (3/8-24 NF)	4
S	63AX 36	WASHER, Plain	4
T	63AX 3022	NIPPLE, Relief Valve Outlet Line	2
		ELBOW, 45° Pump Circulating Drain Pipe	2
		NIPPLE, Pump Circulating Drain Pipe	2



TITLE PRIMING SYSTEM ARRANGEMENT

Quantity used is 1 unless otherwise specified in brackets ( ).

KEY PART NUMBER 117-1819-24 ISSUE-2



SECTION 53A- 117RSA 465

KEY	PART NUMBER	DESCRIPTION	KEY	PART NUMBER	DESCRIPTION
A	36RU 317P168	HOSE ASSY, Tank Inlet Use Units as Follows: HOSE, 166-13/32" Required	V	7MT 213P1	GAUGE, Air
A-1	63AX 1720	END, Hose (Female)	W	39QC 222	TANK ASSY, Pmp Priming Includes: GAUGE
B	63AX 1726	END, Hose (Male)	X	1MT 143	Attaching Parts: SCREW, 3/8-24 NF x 1-1/4 (4)
C	63AX 140	BUSHING, Reducer	Y	1AX 24	NUT, 3/8-24 NF (4)
D	63AX 737	ELBOW, Street, 90°	Y-1	21AX 313	WASHER, Plain(4)
E	30RS 1377	VALVE, Shut Off	Y-2	37AX 472	SUPPORT ASSY, Tank (Upper)
F	63AX 213	NIPPLE, (3)	AA	5MB 3264	SUPPORT ASSY, Tank (Lower)
G	30RS 1390	VALVE, Pressure Regulator (See Component)	AB	8MB 230P19	STRAP, Tank Mounting Attaching Parts: NUT, 1/2-20 NF (8)
H	63AX 218	UNION	AC	21AX 475	WASHER, Plain (2)
J	63AX 297	ELBOW, 90°	AC-1	37AX 474	VALVE, Tank
K	63AX 1486	NIPPLE	AD	30RS 181	BUSHING,
L	63AX 1576	TEE, Reducer	AD-1	63AX 81	NIPPLE
M	63AX 1447	NIPPLE	AD-2	63AX 376	VALVE, Safety (See Component)
N	63AX 737	ELBOW, Street, 90°	AE	20QE 1129	TEE, VALVE
P	63AX 883	BUSHING,	AF	63AX 1218	PLUG, Tank
Q	63AX 1221	BUSHING, Reducer	AG	63AX 1041	STRAINER ASSY, Pump Priming
R	36RU 314P18	HOSE ASSY, Air Gauge Use Units as follows:	AH	25MB 23	ELBOW, 90°
-	897AXA	HOSE, 16-13/16" Required	AJ	63AX 280	NIPPLE
S	63AX 1717	END, Hose (Female)	AK	63AX 901	VALVE, Shut Off
T	63AX 1723	END, Hose (Male)	AL	30RS 1391	NIPPLE
U	63AX 332	CONNECTOR, Hose	AM	63AX 3245	BUSHING, Reducer
			AN	63AX 883	ELBOW, Street 90°
			AP	63AX 737	







Quantity used is 1 unless otherwise specified in brackets ( ).

KEY	PART NUMBER	DESCRIPTION	KEY	PART NUMBER	DESCRIPTION
<b>SECTION 53A-117RSA 465(Cont.)</b>					
AQ	36RU 318P88	HOSE ASSY, Tank Drain			
-	901AXA	Use Units as follows: HOSE, 86-1/4" Required			
AR	63AX 1721	END, Hose (Female)			
AS	63AX 1727	END, Hose (Male)			
AT	63AX 1742	CONNECTOR, Hose			
AU	63AX 297	ELBOW, 90°			
AV	63AX 213	NIPPLE			
AW	30RS 1392	VALVE, Tank Drain			
AX	29QE 1211	SUPPORT, Valve			
		Attaching Parts:			
AY	1AX 374	SCREW, 1/4-28 NF x 3/4 (3)			
AY-1	21AX 441	NUT(1/4-28)NF (3)			
AY-2	37AX 471	WASHER, Plain (3)			
AZ	4MR 2124P5	PLATE, Name			
		Attaching Parts:			
AZ-1	131AX 80	SCREW, #6-18 x 1/4 (2)			
BA	63AX 883	BUSHING, Reducer			
BB	30RS 1377	VALVE, Shut-Off (2)			
BC	63AX 737	ELBOW, Street, 90° (2)			
BD	63AX 213	NIPPLE (10)			
BE	63AX 1512	TEE (4)			
BF	63AX 263	NIPPLE (4)			
BG	30RS 1322	VALVE, Check			
BH	63AX 297	ELBOW, 90° (7)			
BJ	63AX 1251	BUSHING, Reducer (2)			
BK	30RS 1400	VALVE, Pressure Reducing (See Component)			
BL	63AX 1487	NIPPLE			
BM	63AX 218	UNION			
BN	63AX 1447	NIPPLE (2)			
BP	7MT 213P1	GAUGE, Air			
BQ	30RS 181	VAEVE, Shut-Off			
BR	63AX 1576	TEE, Reducer			
BS	36RU 318P108	HOSE ASSY, Priming			
		Use Units as Follows:			
-	901AXA	HOSE, 106-1/4" Required			
BT	63AX 1721	END, Hose (Female)			
BU	63AX 1727	END, Hose (Male)			
BV	36RU 318P42	HOSE ASSY, Priming			
		Use Units as Follows:			
-	901AXA	HOSE, 40-1/4" Required			
BW	63AX 1721	END, Hose (Female)			
BX	63AX 1727	END, Hose (Male)			
BY	36RU 318P60	HOSE ASSY, Priming			
		Use Units as follows:			
-	901AXA	HOSE, 58-1/4" Required			
BZ	63AX 1721	END, Hose (Female)			
BZ-1	63AX 1727	END, Hose (Male)			
CA	63AX 1742	CONNECTOR, Hose			
CB	63AX 3300	ELBOW, 45°(2)			
CC	4MR 2141P5	PLATE, Name			



TITLE PRESSURE RELEASE PIPING ARRANGEMENT

Illustration #117-1819-19.

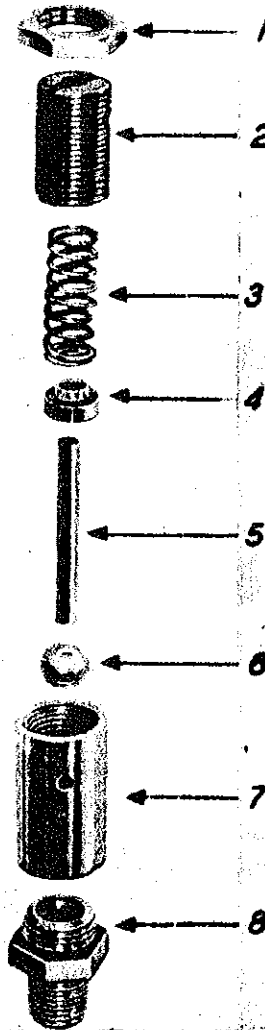
KEY	PART NUMBER	DESCRIPTION	NO. REQ.
<u>SECTION 55A - 117RSA 341</u>			
A	63AX 1774	ELBOW, Pressure Release Piping	8
B	36RUA 319P60	HOSE ASSEMBLY, Pressure Release	2
-		Use Units as follows:	
-		HOSE, medium high pressure 5/8 I.D. x 1-1/16 O.D. x 58-7/32" Lg. (902AXA)	1
C	63AX 1722	END, Hose (Female)	1
D	63AX 1728	END, Hose (Male)	1
E	63AX 166	ELBOW, Street, 90°, Pressure Release Piping	16
F	36RUA 319P48	HOSE ASSEMBLY, Pressure Release	2
-		Use Units as follows:	
-		HOSE, medium high pressure 5/8 I.D. x 1-1/16 O.D. x 46-7/32" L. (902AXA)	1
G	63AX 1722	END, Hose (Female)	1
G-1	63AX 1728	END, Hose (Male)	1
H	36RUA 319P36	HOSE ASSEMBLY, Pressure Release	2
-		Use Units as follows:	
-		HOSE, medium high pressure 5/8 I.D. x 1-1/16 O.D. x 34-7/32" Lg. (902AXA)	1
J	63AX 1722	END, Hose (Female)	1
J-1	63AX 1728	END, Hose (Male)	1
K	36RUA 319P24	HOSE ASSEMBLY, Pressure Release	1
-		Use Units as follows:	
-		HOSE, medium high pressure 5/8 I.D. x 1-1/16 O.D. x 22-7/32" Lg. (902AXA)	1
L	63AX 1722	END, Hose (Female)	1
M	63AX 1728	END, Hose (Male)	1
N	30RS 1393	VALVE, Pressure Release Piping Shut Off	8
P	12QD 1252	BUSHING, Shut Off Valve	8
Q	33QE 21	HANDLE, Shut Off Valve	8
R	83AX 324	CLAMP, "U" Shut Off Valve	16
S	63AX 385	NIPPLE, Valve	1
T	63AX 389	ELBOW, 90° Valve Nipple	1
U	63AX 96	ELBOW, 45° Street Shut Off Valve	3
V	63AX 244	NIPPLE, Shut Off Valve Drain	8

THIS REPLACES ALL COPIES DATED PRIOR TO SEPTEMBER 6, 1963.  
**MACK CHASSIS NUMBER** must always be given with **PART NUMBER** when ordering.

### COMPONENT PARTS

20QE 1129  
SAFETY VALVE

10-13-2



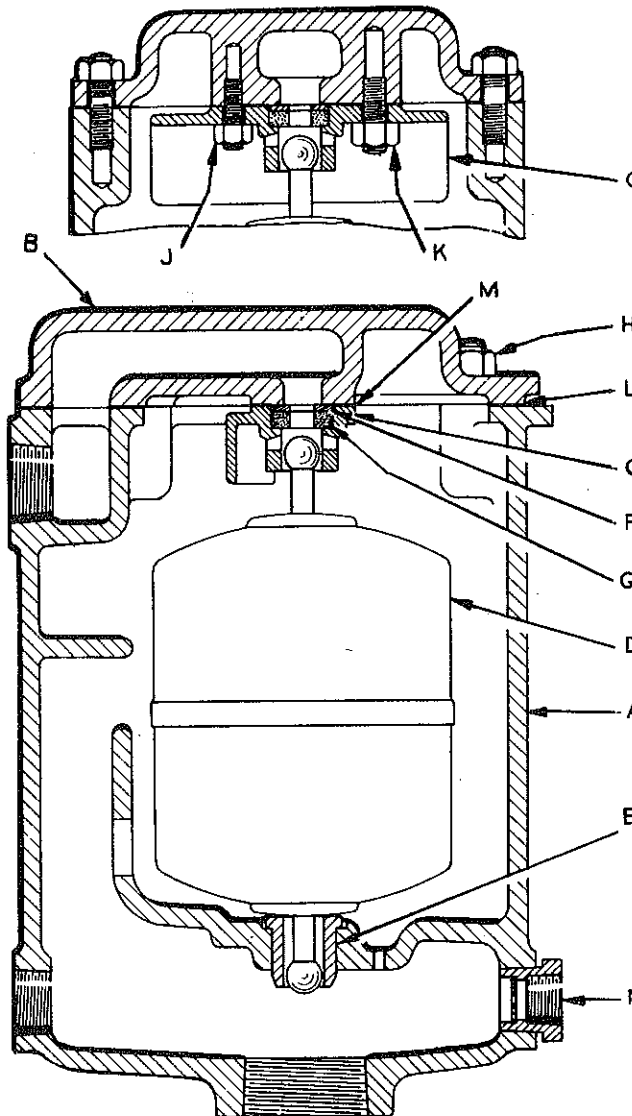
**SAFETY VALVE**

REF. NO.	PART NUMBER	DESCRIPTION	NO. REQ'D
1	745-201612	NUT, Lock	1
2	745-201611	SCREW, Adjusting	1
3	745-201614	SPRING	1
4	745-201615	SEAT, Spring	1
5	745-201613	STEM	1
6	745-213203	VALVE, Ball	1
7	745-201610	CAGE, Spring	1
8	745-201609	BODY	1

# COMPONENT PARTS

3ORS 233P1 & P2  
VACUUM PRIMING VALVE

30-1819-15



KEY	PART NUMBER	DESCRIPTION	NO. REQ.
<u>3ORS 233P1 (1-1/4" x 9/16")</u>			
A	6026 A-4460-UG	BODY	1
B	6026 B-6708-UG	COVER	1
C	6026 K-1553-UN	HOLDER, Valve	1
D	6026 H-2347-XAX	FLOAT	1
E	6026 K-1521-UBI	BUSHING, Body Guide	1
F	6026 K-1554-VH	WASHER, Valve Seat	1
G	6026 K-1560-XRY	SEAT, Valve	1
H	6026 BN-102	NUT, Body Cover	6
J	6026 BN-124	NUT, Valve Holder (Small)	1
K	6026 BN-123	NUT, Valve Holder (Large)	1
L	6026 K-1523-XR	GASKET, Body & Cover	1
M	6026 K-1523-XR	GASKET, Valve Holder	1
N	NPN	BUSHING, Orifice (When Specified)	
<u>3ORS 233P2 (3/4" x 5/16")</u>			
A	6026 B-6727-UG	BODY	1
B	6026 B-6702-UG	COVER	1
C	6026 K-4242-UG	HOLDER, Valve	1
D	6026 H-1997-XAX	FLOAT	1
E	6026 K-1541-VB	BUSHING, Body Guide	1

AK

4/28/65 sr-mes

PAGE 1 OF 2

MACK CHASSIS NUMBER MUST ALWAYS BE GIVEN WITH PART NUMBER WHEN ORDERING.

COMPONENT PARTS

30RS 233P1 & P2

VACUUM PRIMING VALVE (Cont.)

KEY	PART NUMBER	DESCRIPTION	NO. REQ.
		30RS 233P2(3/4" x 5/16")(Cont.)	
F	6026 K-1538-VH	WASHER, Valve Seat	1
G	6026 K-1539-XRY	SEAT, Valve	1
H	6026 BN-123	NUT, Body Cover	6
J	6026 BN-124	NUT, Valve Holder (Small)	1
K	6026 BN-123	NUT, Valve Holder (Large)	1
L	6026 K-1542-XR	GASKET, Body & Cover	1
M	6026 K-1562-XR	GASKET, Valve Holder	1
N	NEN	BUSHING, Orifice (When Specified)	



COMPONENT PARTS

30RS 1328  
RELIEF VALVE (2-1/2")

KEY	PART NUMBER	DESCRIPTION	NO. REQ.
A	6993 3401-AA-1	HANDLE, Adjusting	1
B	6993 3401-AA-11	DIAPHRAGM	1
C	6993 3401-AA-14	PLATE, Diaphragm	1
D	6993 3401-AA-22	STRAINER	1
E	6993 3401-AA-21	SEAT, Follower	1
F	6993 3401-AA-19	SEAT, Leather	1
G	6993 3401-AA-23	SHELL	1
H	6993 3401-AA-18	STEM	1
J	6993 3401-AA-17	SPRING, Guide	1
K	6993 3401-AA-16	CUP, Packing	1
L	6993 3401-AA-15	CUP, Follower	1
M	6993 3401-AA-13	VALVE, Pilot	1
N	6993 3401-AA-25	"O", RING, Packing	1
P	6993 3401-AA-10	NUT, Diaphragm	1
Q	6993 3401-AA-12	PIN; Pilot	1
R	6993 3401-AA-9	WASHER, Spring (Bottom)	1
S	6993 3401-AA-8	COVER, Diaphragm	1
T	6993 3401-AA-5	SPRING, Adjusting	1
U	6993 3401-AA-4	WASHER, Top Spring	1
V	6993 3401-AA-6	CHAMBER, Spring	1
W	6993 3401-AA-26	NUT, Lock	1
X	6993 3401-AA-2	SCREW, Adjusting	1

NOTE: WHEN ORDERING SPECIFY SIZE VALVE.

THIS REPLACES ALL COPIES DATED PRIOR TO MARCH 26, 1965

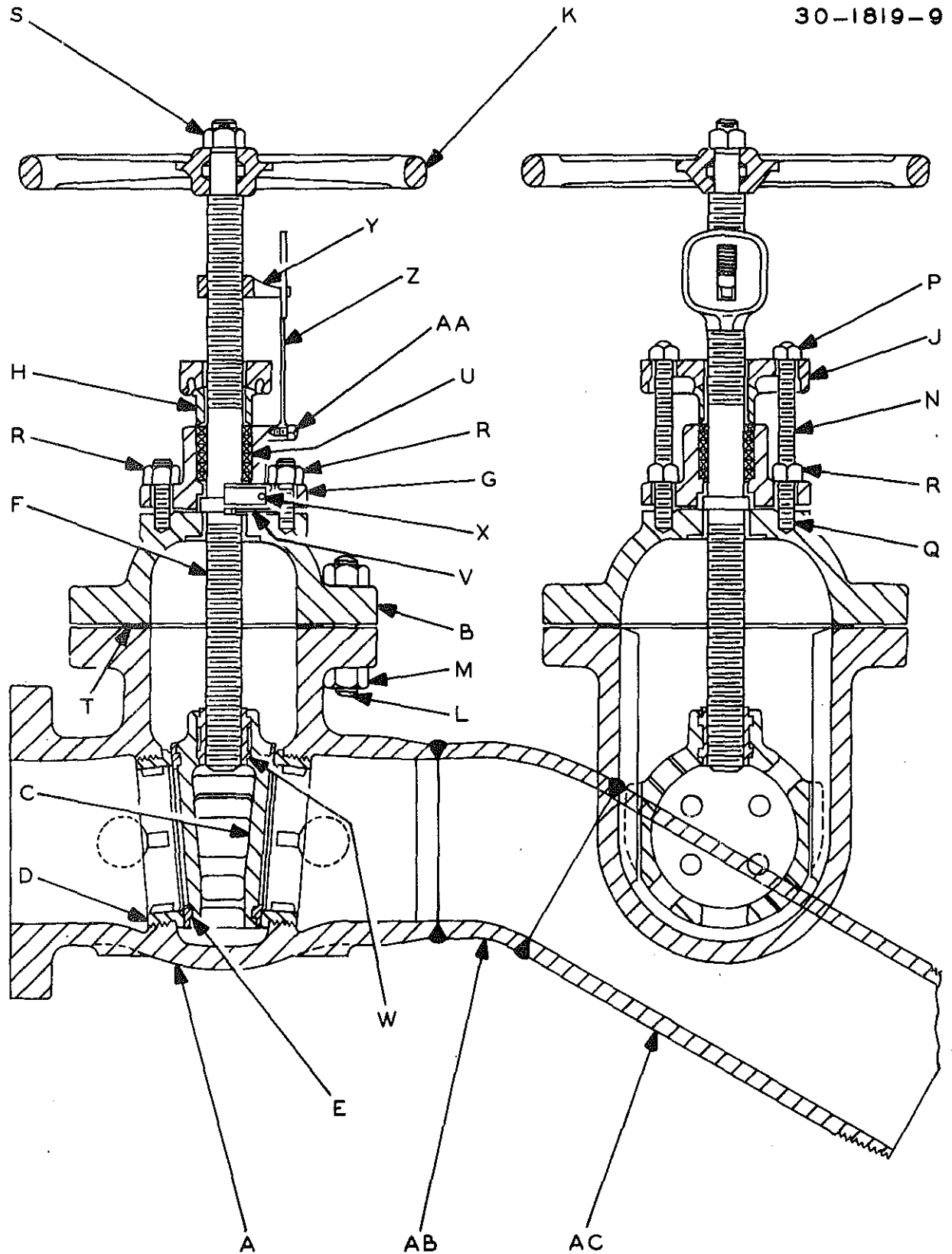
**MACK CHASSIS NUMBER** must always be given with **PART NUMBER** when ordering.

### COMPONENT PARTS

30RSA 1367

DISCHARGE VALVE COMPLETE

30-1819-9



IK



COMPONENT PARTS

30RSA 1367  
DISCHARGE VALVE COMPLETE (Cont.)

KEY	PART NUMBER	DESCRIPTION	NO. REQ.
A	1682 K-5613-1	BODY	1
B	1682 K-5613-2	BONNET	1
C	1682 K-5613-3	DISC	1
D	1682 K-5613-4	RING, Body Seat	1
E	1682 K-5613-5	RING, Disc Seat	1
F	1682 K-5613-6	STEM	1
G	1682 K-5613-7	BOX, Stuffing	1
H	1682 K-5613-8	GLAND	1
J	1682 K-5613-9	FLANGE, Gland	1
K	1682 K-5613-10	WHEEL	1
L	1682 K-5613-11	STUD, Bonnet Bolt	AR
M	1682 K-5613-12	NUT, Bonnet Stud	AR
N	1682 K-5613-14	STUD, & BOLT, Gland	AR
P	1682 K-5613-15	NUT, Gland Stud & Bolt	AR
Q	1682 K-5613-16	STUD, Stuffing Box	AR
R	1682 K-5613-17	NUT, Stuffing Box Stud & Bolt	AR
S	1682 K-5613-18	NUT, Wheel	1
T	1682 K-5613-19	GASKET, Bonnet	1
U	1682 K-5613-20	PACKING	AR
V	1682 K-5613-21	GASKET, Stuffing Box	1
W	1682 K-5613-22	BUSHING, Disc	1
X	1682 K-5613-23	PLATE, Identification	1
Y	1682 K-5613-24	POINTER, Indicator	1
Z	1682 K-5613-25	PLATE, Indicator	1
AA	1682 K-5613-26	SCREW, Indicator Plate	AR
AB	1682 K-5613-27	ELBOW (30°)(5")	1
AC	1682 K-5613-28	NIPPLE, Steel (Pipe Size 5")	1

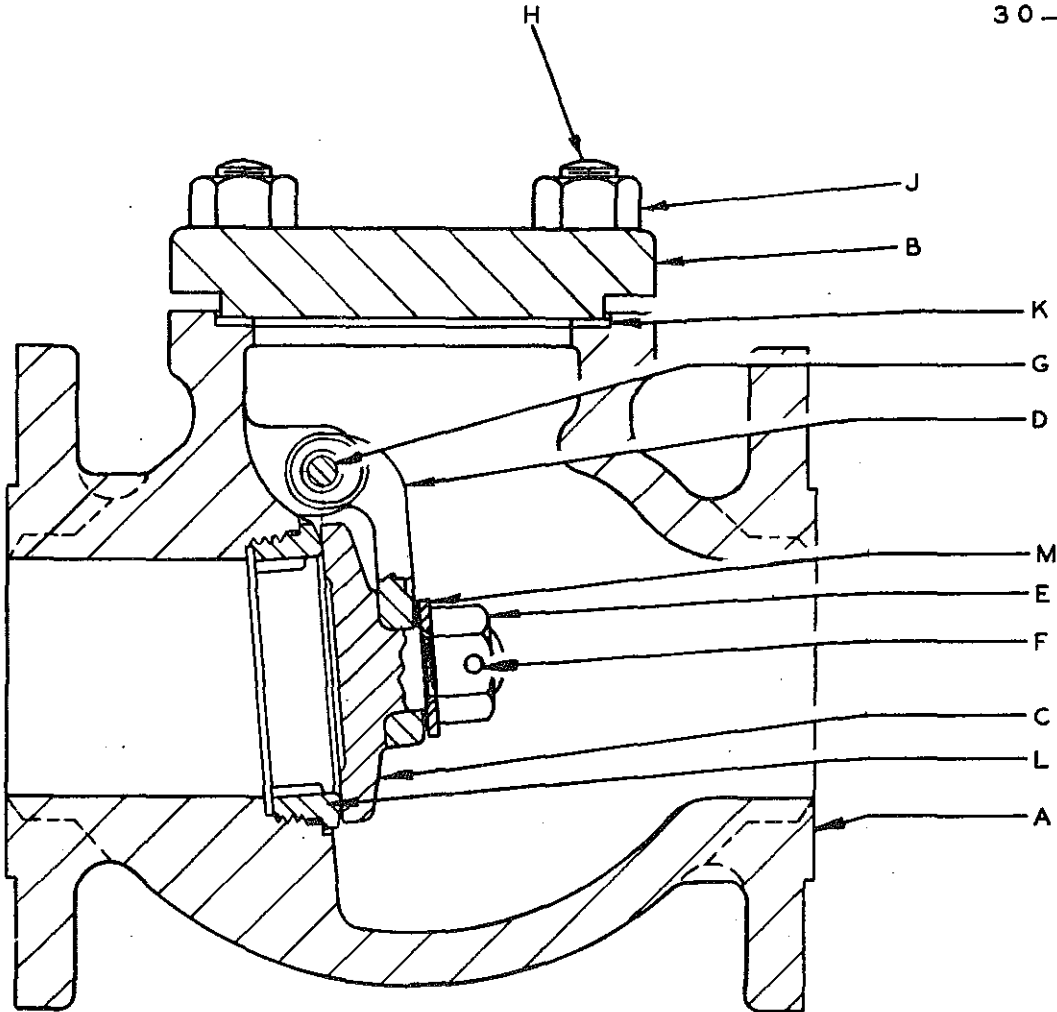
This replaces all copies dated prior to March 26, 1965.

MACK CHASSIS NUMBER must always be given with PART NUMBER when ordering.

COMPONENT PARTS

3ORS 1368  
CHECK VALVE

30-1819-14



KEY	PART NUMBER	DESCRIPTION	NO. REQ.
A	1556 B-42585-1	BODY	1
B	1556 B-42585-2	CAP	1
C	1556 B-42585-3	DISC	1
D	1556 B-42585-4	HINGE	1
E	1556 B-42585-5	NUT, Disc	1
F	1556 B-42585-6	PIN, Disc Nut	1
G	1556 B-42585-7	PIN, Hinge	1
-	1556 B-42585-8	PLUG, Hinge Pin	1
H	1556 B-42585-12	STUD, Cap	8
J	1556 B-42585-13	Attaching Parts: NUT	8
K	1556 B-42585-14	GASKET, Cap	1
L	1556 B-42585-15	RING, Body Seat	1
M	1556 B-42585-16	WASHER, Disc	1

IK

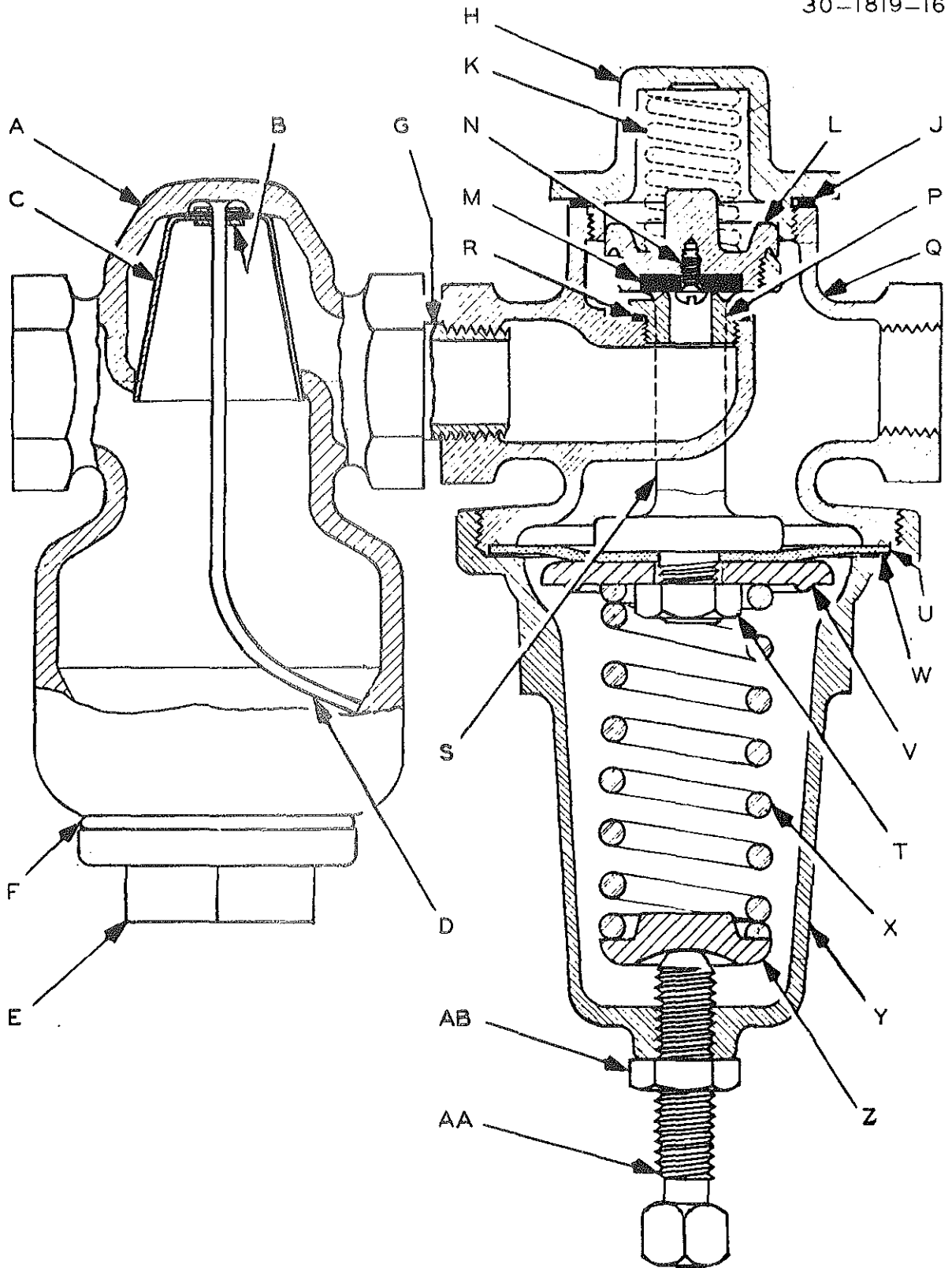
MACK CHASSIS NUMBER must always be given with PART NUMBER when ordering.

### COMPONENT PARTS

30RS 1390

REGULATOR VALVE

30-1819-16



IK

COMPONENT PARTS

3ORS 1390  
REGULATOR VALVE (Cont.)

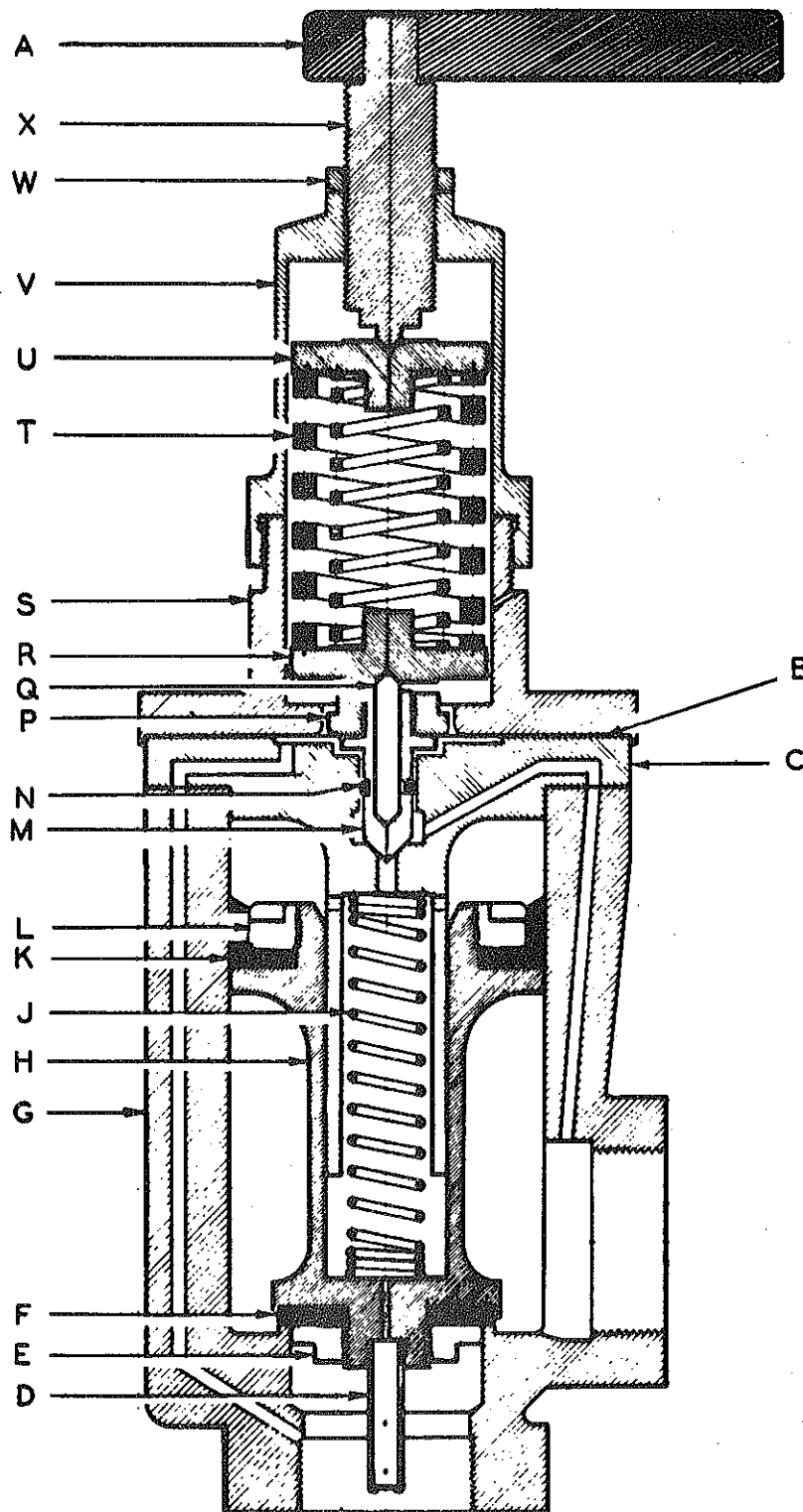
KEY	PART NUMBER	DESCRIPTION	NO. REQ.
A	5463 H-9030	STRAINER COMPLETE	1
		Consists of:	
B	5463 60685	WASHER, Screen	2
C	5463 60704	SCREEN	1
D	5463 60706	SPRING	1
E	5463 57600	Cap, Strainer Body	1
		Attaching Parts:	
F	5463 57601	GASKET	1
G	5463 47137	NIPPLE, Strainer & Valve Body	1
H	5463 73880	CAP, Valve Body	1
		Attaching Parts:	
J	5463 60744	WASHER	1
K	5463 54410	SPRING, Body Cap Seal (For Initial Pressure 25-250 Lbs. Delivery Pressure 5-25 LBS.)	1
L	5463 87684	PLUG & SEAT DISC ASSEMBLY, Yoke Includes:	1
M	5463 60745	DISC, Seat	1
N	5463 52069	SCREW	1
P	5463 52039	RING, Seat (For Initial Pressure 25-250 LBS.-Delivery Pressure 5-25 LBS.)	1
P	5463 52520	RING, Seat (For Initial Pressure 40-250 LBS.-Delivery Pressure 25-75 LBS.) (For Initial Pressure 200-250 LBS.-Delivery Pressure 75-125 LBS)	1
Q	5463 60750	BODY, Valve (Upper)	1
R	5463 60749	WASHER, Spring Ring	1
S	5463 60751	YOKE, Valve Body	1
		Attaching Parts:	
T	5463 41094	NUT	1
U	5463 60753	DIAPHRAGM	1
V	5463 60754	PLATE, Pressure	1
W	5463 60752	WASHER, Diaphragm	1
X	5463 53697	SPRING (For Initial Pressure 25-250 LBS.-Delivery Pressure 5-25 LBS Only)	1
X	5463 53700	SPRING (For Initial Pressure 40-250 LBS.-Delivery Pressure 25-75 LBS Only)	1
X	5463 53294	SPRING (For Initial Pressure 200-250 LBS-Delivery Pressure 75-125 LBS Only)	1
Y	5463 60755	CHAMBER, Spring	1
Z	5463 60788	BUTTON, Spring	1
AA	5463 55459	SCREW, Spring Chamber Adjusting	1
		Attaching Parts:	
AB	5463 72829	NUT, Lock	1

MACK CHASSIS NUMBER must always be given with PART NUMBER when ordering.

### COMPONENT PARTS

30RS 1394  
RELIEF VALVE (2")

30-1819-4



IK

4/28/65 sr-mes

#1-2

COMPONENT PARTS

3ORS 1394  
RELIEF VALVE (2")

KEY	PART NUMBER	DESCRIPTION	NO. REQ.
A	6993 3401-AA-1	HANDLE, Adjusting	1
B	6993 3401-AA-11	DIAPHRAGM	1
C	6993 3401-AA-14	PLATE, Diaphragm	1
D	6993 3401-AA-22	STRAINER	1
E	6993 3401-AA-21	SEAT, Follower	1
F	6993 3401-AA-19	SEAT, Leather	1
G	6993 3401-AA-23	SHELL	1
H	6993 3401-AA-18	STEM	1
J	6993 3401-AA-17	SPRING, Guide	1
K	6993 3401-AA-16	CUP, Packing	1
L	6993 3401-AA-15	CUP, Follower	1
M	6993 3401-AA-13	VALVE, Pilot	1
N	6993 3401-AA-25	"O" RING, Packing	1
P	6993 3401-AA-10	NUT, Diaphragm	1
Q	6993 3401-AA-12	PIN, Pilot	1
R	6993 3401-AA-9	WASHER, Spring (Bottom)	1
S	6993 3401-AA-8	COVER, Diaphragm	1
T	6993 3401-AA-5	SPRING, Adjusting	1
U	6993 3401-AA-4	WASHER, Top Spring	1
V	6993 3401-AA-6	CHAMBER, Spring	1
W	6993 3401-AA-26	NUT, Lock	1
X	6993 3401-AA-2	SCREW, Adjusting	1

NOTE: , WHEN ORDERING SPECIFY SIZE VALVE.

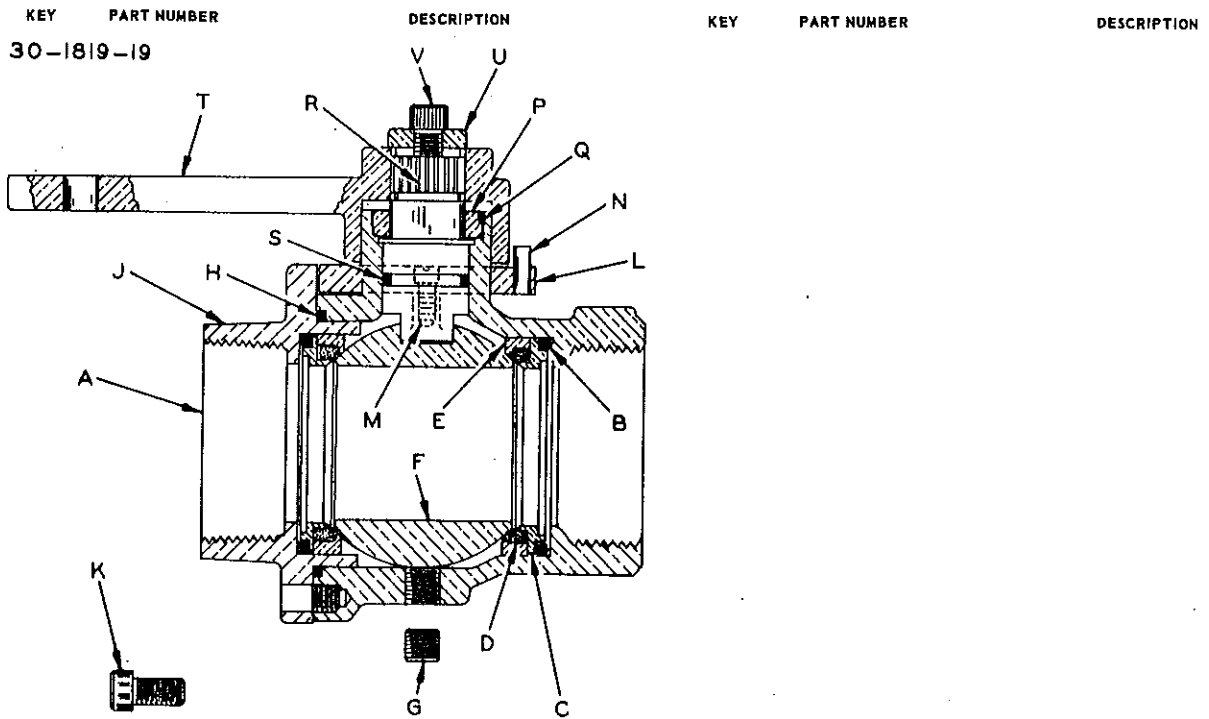


COMPONENT PARTS

30RS 19004

CONTROL VALVE ASSEMBLY

Quantity used is 1 unless otherwise specified in brackets ( ).



- |   |               |                                      |
|---|---------------|--------------------------------------|
| A | 3199-C-3336-1 | BODY, Valve                          |
| B | 3199-A-4035   | "O" RING (2)                         |
| C | 3199-A-2945   | SEAL, Back Up Ring (2)               |
| D | 3199-A-3471   | SEAL (2)                             |
| E | 3199-A-2944   | RING, Retg (2)                       |
| F | 3199-A-1721   | BALL                                 |
| G | ---           | PLUG, Socket Hd                      |
| H | 3199-A-4030   | "O" RING, Adapter                    |
| J | 3199-A-3456   | ADAPTER                              |
| K | ---           | Att Part:<br>SCREW, 3/8-16 x 3/4 (4) |
| L | 3199-A-2556   | PLATE, Positioning Stop              |
| M | ---           | SCREW, 1/4-20 x 3/8 Brass (2)        |
| N | 3199-A-2567   | PIN, Stop                            |
| P | 3199-A-2993   | NUT, Trunnion Retg                   |
| Q | ---           | SCREW, Set 8-32 x 3/16               |
| R | 3199-B-2558   | TRUNNION                             |
| S | 3199-A-4022   | "O" RING, Trunnion                   |
| T | 3199-C-3336-3 | HANDLE                               |
| U | 3199-C-3336-4 | WASHER                               |
| V | ---           | SCREW, 3/8-16 x 3/4                  |



# Mack PARTS BOOK

## INDEX

GROUP #31

## COMPONENTS

30RS 1328

30RS 1394

97RU 119



1248A 12/8/65 ejm-jd

PAGE #31-1

CHASSIS NUMBER must always be given with PART NUMBER when ordering.



PARTS BOOK #4248

LINE NO.	PART NUMBER	DESCRIPTION	NO. REQ.
<u>SECTION 25A</u>			
1	21QB 165	CAPSULE, Start Pilot	AR
2	4MR 1162	PLATE, Name (Pat. Nos.)	1
3	9RC 112	JACK, 20 Ton	1
4	13MT 131	GAUGE, 800 Lb. Pressure	8
5	12MT 129	GAUGE, Compound (30"-0-1000 lb.)	2
6	3ORS 181	VALVE, Compound & Pressure Gauge	10
7	31QEA 225P2	HOSE ASSEMBLY, Air (Tire Inflation)	1
		Consists of:	
8	9ORU 1181	ADAPTER, Air Hose	1
9	31QE 124P2	HOSE, Air	1
10	2OQE 1151	CHUCK, Air Hose	1
11	2OQEA 293	CHECK UNIT ASSEMBLY, Air	1
		Consists of:	
12	2OQE 292	UNIT, Check	1
13	69RU 159	PLUG, Dust	1
14	3ORS 181	VALVE, Air Shut-Off	1
		Attaching Parts:	
15	51RM 12	NUT (1/2-20 NF)	1
16	7ORU 310	ADAPTER, Both ends 4-1/2 N.Y.C. thd.	2
17	7ORU 311	ADAPTER, Swivel 5" NPT to 4-1/2 N.Y.C. thd.	6
18	1RS 212	PLUG, Long Handle Hose (4-1/2 N.Y.C. thd.)	8
19	2RS 212P1	PIPE, Suction (96" Ig.)	4
20	2RS 212P2	PIPE, Suction (48" Ig.)	2
21	2RS 213	ELBOW, 45°, Suction Pipe	4
22	2RS 214	ELBOW, 90°, Suction Pipe	2
23	119RS 24	COUPLING, Suction Pipe Upset	13
24	1RS 26	CAP, 4-1/2 Discharge	16
25	27RS 1123	EXTINGUISHER, 10 # Dry Powder	2
26	6ORU 162	CHAINS, Tire	4
27	25MO 1151	FLARE, Portable Electric	2
28	25MO 47	LAMP COMPLETE, Flood	2
29	14RC 1126	KIT, Tool	1
30	25RC 146	WRENCH, Suction Spanner	12
31	109RD 1421	CHOCKS, Wheel	6
32	4MR 2124P52	PLATE, Name, Hour Meter	1
33	4MR 2124P53	PLATE, Name, Coolant Gauge	1
34	4MR 2124P42	PLATE, Name, Door Open	1
35	4MR 2124P1	PLATE, Name, Discharge Pressure #1	1
36	4MR 2124P2	PLATE, Name, Discharge Pressure #2	1
37	4MR 2124P3	PLATE, Name, Discharge Pressure #3	1
38	4MR 2124P4	PLATE, Name, Discharge Pressure #4	1
39	4MR 2124P5	PLATE, Name, Discharge Pressure #5	1
40	4MR 2124P6	PLATE, Name, Discharge Pressure #6	1
41	4MR 2124P7	PLATE, Name, Discharge Pressure #7	1
42	4MR 2124P8	PLATE, Name, Discharge Pressure #8	1
43	4MR 2124P10	PLATE, Name, Pump Pressure	2
		Attaching Parts:	
44		SCREW, tapping type A, rd. Phillips hd. #6-18 x 1/4 (131AX 80)	20
45	4MR 2124P54	PLATE, Name, Oil Pressure	1
46	4MR 2124P55	PLATE, Name, Air Compressor Drive	1
47	4MR 2124P56	PLATE, Name, Vacuum Pump Drive	1
48	4MR 2124P57	PLATE, Name, Engine Throttle	1
49	4MR 2124P58	PLATE, Name, Max. RPM 2000	2
50	17MO 313P1	LIGHT, Flashing-Red, 7" Dia	4
51	17MO 313P2	LIGHT, Stop & Tail-Red 7" Dia	6
52	17MO 48P1	LIGHT, Red, 7" Dia with work "STOP"	2
53	25MO 411P2	LAMP COMPLETE, Beacon Ray Emergency	1
54	4MR 2123P38	TAPE, Identification	1
55	46MO 331	FLASHER, Multi-Pulse	1
56	38MR 463	HEADSET COMPLETE, Sound Powered	2
57	39MR 156	CABLE, Sound Powered Head Set	1

LINE NO.	PART NUMBER	DESCRIPTION	NO. REQ.
SECTION 25A (Cont.)			
58	28MO 13P1	LAMP, Compartment (White)	6
59	38MO 239F1	LAMP, Clearance Marker (Amber)	6
60	38MO 239F2	LAMP, Clearance Marker (Red)	2
61	26MO 317P4	BRACKET, Lamp Mounting	1
62	63RU 220	JOINT, Lamp, Pivot	1
63	55RU 219	CLEVIS, Lamp Mounting	1
64	20MO 28P2	LAMP, Warning	1
65	28MO 13P2	LAMP, Marker (Red)	2
66	28MO 13P3	LAMP, Marker (Amber)	8
67	33MR 327	CONNECTOR ASSEMBLY, (7 Way)	6
68	33MR 1112	RECEPTACLE, Trailer (7 Way)	1
69	34RU 1203	GUARD, Cable	6
70	91MRA 313P1	BREAKER ASSEMBLY, Circuit	1
71	7MG 316	SWITCH, Temperature Alarm	1
72	51MS 21	METER, Hour	1
73	9MT 29	GAUGE, Fuel	1
74	1MT 134	GAUGE, Water Level	1
75	1MT 29001	GAUGE, Water Level (Sending Unit)	1
76	38MR 389	HORN	1
77	2MR 219	RELAY, Horn	1
78	64MT 29	SWITCH, Pressure	1
79	33MR 113	RECEPTACLE	2
80	33MR 255P2	RECEPTACLE, Electrical (Twist Lock)	2
81	33MR 255P3	RECEPTACLE, Electrical (Twist Lock)	2
82	101QB 130P2	VALVE, Fuel Relief	2
83	677AX 150	CABLE, 7 Conductor	1
84	33MRA 348	CABLE ASSEMBLY, Trailer (Regular)(Black)	1
85	33MRA 349	CABLE ASSEMBLY, Trailer (Auxiliary)(Single Green)	1
86	33MRA 350	CABLE ASSEMBLY, Trailer (Auxiliary)(Double Green)	1
87		CABLE, Rubber #16-4 x 1200"lg.. (171AXA)	1
88	4MR 2129P20	PLATE, Name	2
89	4MR 2129P21	PLATE, Name	2
90	4MR 2129P22	PLATE, Name	2
91	39MR 160	CABLE, Auxiliary Feed	1
92	39MR 161	CABLE, Auxiliary Feed	1
93	39MR 162	CABLE, Ammeter	1
94	1MR 1291	SWITCH, High Pressure Deltic Engine Throttle	1
95	1MR 1292	SWITCH, Lighted Push Button Deltic Engine Throttle	1
96	89MS 112	SOLENOID, Deltic Engine Throttle Valve	1
97	97RU 119	CYLINDER, Deltic Engine Throttle Air (For Components, see back of Group)	1
98	2MR 219	RELAY, Deltic Engine Throttle Switch	1
99	30RS 1394	VALVE, 2" Relief (For Components, see back of Group)	2
100	30RS 1328	VALVE, 2-1/2" Relief (For Components, see back of Group)	2
101	4MR 2124P63	PLATE, Name, Priming Line Drain	1
102	4MR 2124P61	PLATE, Name, Check Oil Level at 1000 R.P.M. in Neutral At Running Temperature	2
103	4MR 2124P62	PLATE, Name, Vacuum Pump Drain	1
104	312GB 19	COOLER, Fuel Consists of:	1
105	606-2E5B652	BONNET, (Inlet End)	1
106	606-2E5B102	BONNET, (Reversing End)	1
107	606-7M50208	CORE ASSEMBLY	1
108	606-2G5A901	GASKET, Bonnet (Inlet End)	1
109	606-2G5B102	GASKET, Bonnet (Reversing End)	1
110	606-Z3R105	ELIMINATOR, Zinc Corrosion	1
111	4MR 2124P67	PLATE, Name, Seal Water Tank	1
112	165RS 147	SLING, Suction Pipe	1



LINE NO.	PART NUMBER	DESCRIPTION	NO. REQ.
<u>SECTION 25A (Cont.)</u>			
113	85QMA 471	LADDER ASSEMBLY, Entrance Includes:	1
114	3QM 25	LATCH	4
115		Attaching Parts:	
116		SCREW, machine rd. Phillipshd. #10-24 NC x1/2(130AX223)	28
117		NUT, hex. stl. #10-24 NC (53AX 1)	28
118	23QL 239	WASHER, Lock, #10 I.D.(36AX 14)	28
119	4MR 2141P1	EYE, Lifting	1
120	4MR 2141P2	PLATE, Name, Hydraulic Fluid	1
121	rMR 2141P3	PLATE, Name, Hydraulic Fluid	1
122	4MR 2141P4	PLATE, Name, Lube Oil	1
123	4MR 2141P5	PLATE, Name Air	6
124	4MR 2141P6	PLATE, Name, Water	2
125	4MR 2141P7	PLATE, Name, Diesel Fuel Only	4
		PLATE, Name, Disconnect Hoses Before moving vehicle	1



COMPONENT PARTS

30RS 1328

RELIEF VALVE (2-1/2")

KEY	PART NUMBER	DESCRIPTION	NO. REQ.
A	6993 3401-AA-1	HANDLE, Adjusting	1
B	6993 3401-AA-11	DIAPHRAGM	1
C	6993 3401-AA-14	PLATE, Diaphragm	1
D	6993 3401-AA-22	STRAINER	1
E	6993 3401-AA-21	SEAT, Follower	1
F	6993 3401-AA-19	SEAT, Leather	1
G	6993 3401-AA-23	SHELL	1
H	6993 3401-AA-18	STEM	1
J	6993 3401-AA-17	SPRING, Guide	1
K	6993 3401-AA-16	CUP, Packing	1
L	6993 3401-AA-15	CUP, Follower	1
M	6993 3401-AA-13	VALVE, Pilot	1
N	6993 3401-AA-25	"O" RING, Packing	1
P	6993 3401-AA-10	NUT, Diaphragm	1
Q	6993 3401-AA-12	PIN; Piloet	1
R	6993 3401-AA-9	WASHER, Spring (Bottom)	1
S	6993 3401-AA-8	COVER Diaphragm	1
T	6993 3401-AA-5	SPRING, Adjusting	1
U	6993 3401-AA-4	WASHER, Top Spring	1
V	6993 3401-AA-6	CHAMBER, Spring	1
W	6993 3401-AA-26	NUT, Lock	1
X	6993 3401-AA-2	SCREW, Adjusting	1

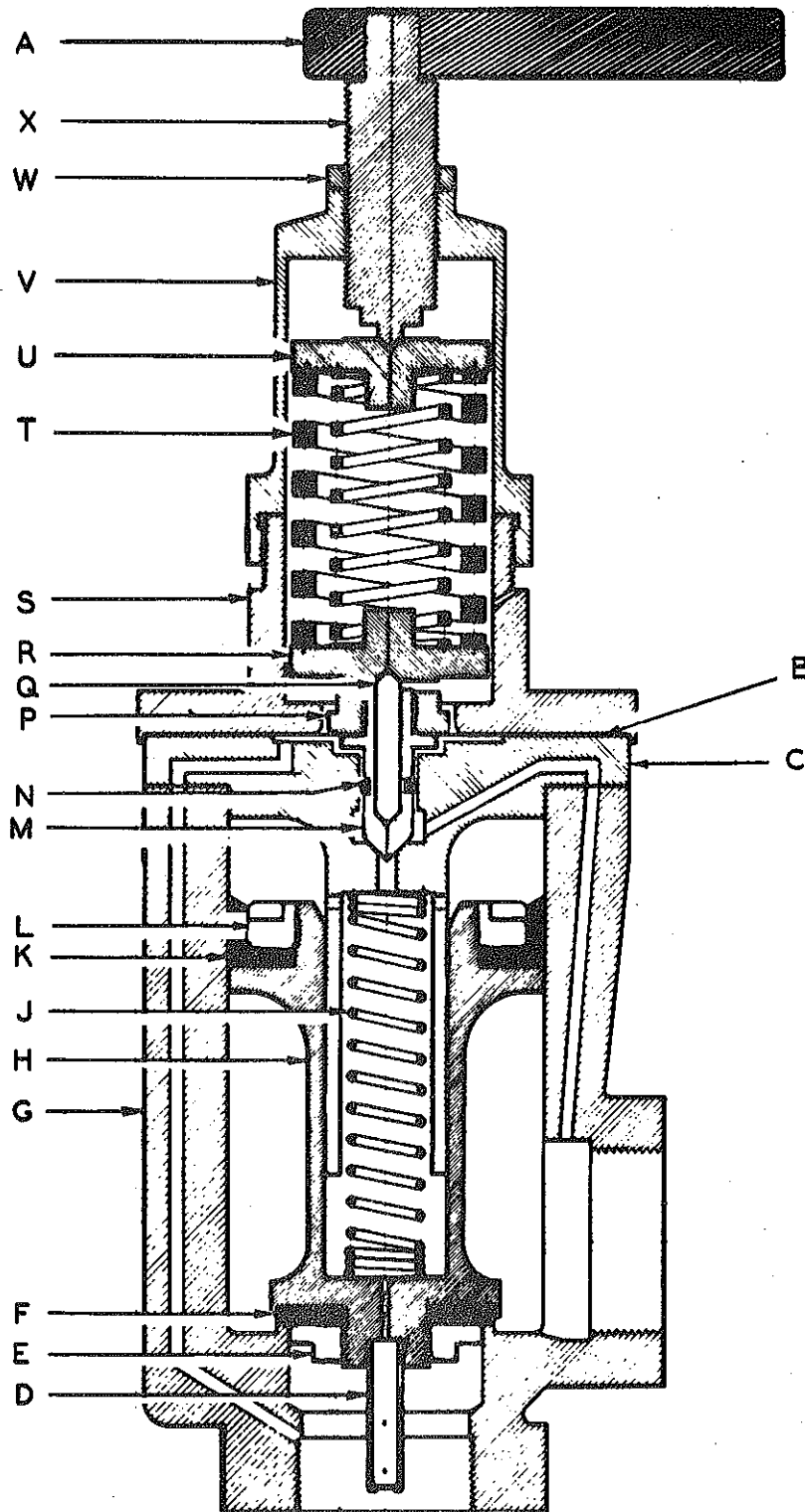
NOTE: WHEN ORDERING SPECIFY SIZE VALVE.

MACK CHASSIS NUMBER must always be given with PART NUMBER when ordering.

### COMPONENT PARTS

30RS 1394  
RELIEF VALVE (2")

30-1819-4



IK

4/28/65 sr-mes

#1-2

COMPONENT PARTS

3ORS 1394  
RELIEF VALVE (2")

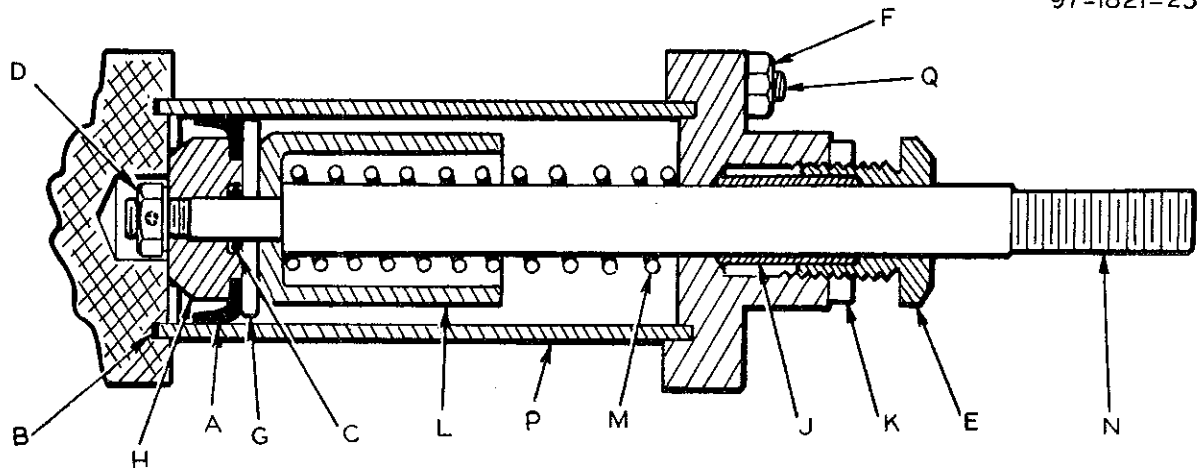
KEY	PART NUMBER	DESCRIPTION	NO. REQ.
A	6993 3401-AA-1	HANDLE, Adjusting	1
B	6993 3401-AA-11	DIAPHRAGM	1
C	6993 3401-AA-14	PLATE, Diaphragm	1
D	6993 3401-AA-22	STRAINER	1
E	6993 3401-AA-21	SEAT, Follower	1
F	6993 3401-AA-19	SEAT, Leather	1
G	6993 3401-AA-23	SHELL	1
H	6993 3401-AA-18	STEM	1
J	6993 3401-AA-17	SPRING, Guide	1
K	6993 3401-AA-16	CUP, Packing	1
L	6993 3401-AA-15	CUP, Follower	1
M	6993 3401-AA-13	VALVE, Pilot	1
N	6993 3401-AA-25	"O" RING, Packing	1
P	6993 3401-AA-10	NUT, Diaphragm	1
Q	6993 3401-AA-12	PIN, Pilot	1
R	6993 3401-AA-9	WASHER, Spring (Bottom)	1
S	6993 3401-AA-8	COVER, Diaphragm	1
T	6993 3401-AA-5	SPRING, Adjusting	1
U	6993 3401-AA-4	WASHER, Top Spring	1
V	6993 3401-AA-6	CHAMBER, Spring	1
W	6993 3401-AA-26	NUT, Lock	1
X	6993 3401-AA-2	SCREW, Adjusting	1

NOTE: WHEN ORDERING SPECIFY SIZE VALVE.

# COMPONENT PARTS

97RU 119  
AIR CYLINDER

97-1821-25



KEY	PART NUMBER	DESCRIPTION	NO. REQ.
A	7532 3431-4	CUP, Piston	1
B	7532 9409-6	GASKET, Cylinder	1
C	7532 2709-6	"O" RING, Piston	1
D	7532 3348-3	NUT, Lock, Piston	1
E	7532 3151-2	SCREW, Packing	1
F	7532 3089-3	NUT, Lock, Tie Rod	1
G	7532 3431-6	SPACER, Piston & Sleeve	1
H	7532 3431-7	PISTON	1
J	7532 3151-3	BUSHING, Piston Rod	1
K	7532 8967-65	NUT, Lock, Packing Screw	1
L	7532 3151-5	*SLEEVE, Piston Rod	1
M	7532 3151-6	*SPRING, Piston Rod	1
N	7532 3120	*ROD, Piston	1
P	7532 2001	*CYLINDER	1
Q	7532 2005	*ROD, Tie	1

\*Specify Cylinder stroke (In Inches)(2") When Ordering These Parts

IK



# ***Mack* PARTS BOOK**

PAGE



CHASSIS NUMBER must always be given with PART NUMBER when ordering.

LINE NO.	PART NUMBER	DESCRIPTION	NO. REQ.
		<u>SECTION 4A - 75RSA 32</u>	
1	25MO 411P3	RAY, Beacon	1
2	75RS 214	SIREN	1
3	33MR 1113	RECEPTACLE	1

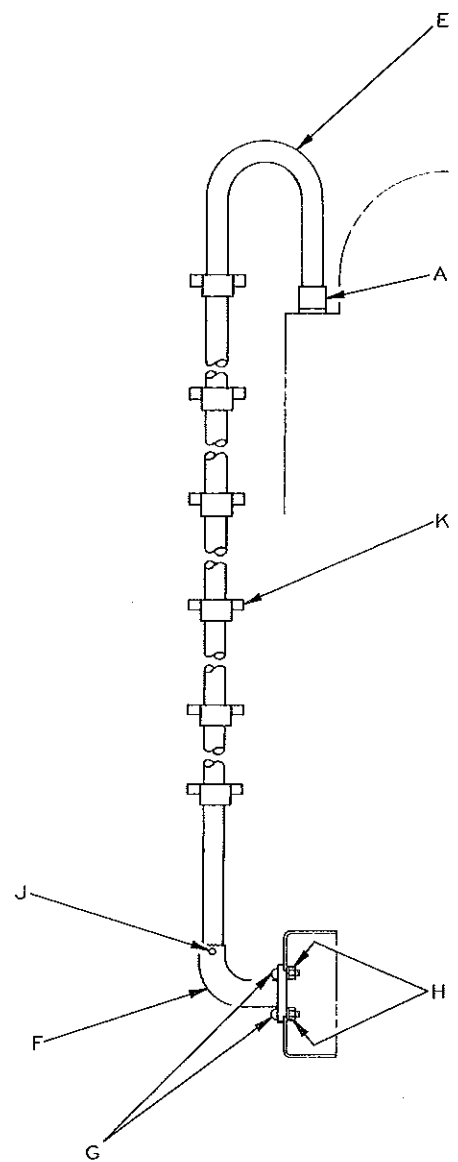
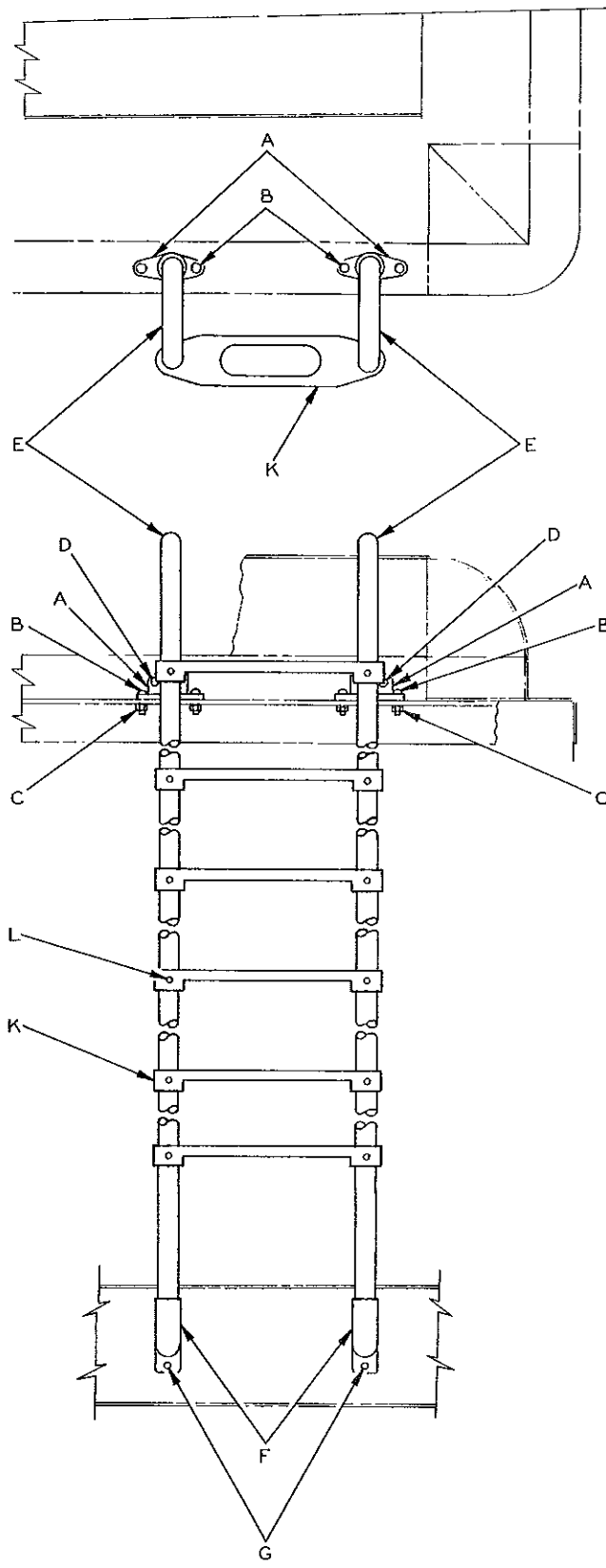
LINE NO.	PART NUMBER	DESCRIPTION	NO. REQ.
		<u>SECTION 27A - 1RSA 46</u>	
1	25RS 39	NOZZLE COMPLETE, Suction	1
2	1RS 311	CAP COMPLETE, Suction Nozzle	1
3	95RU 134	"O" RING, Suction Nozzle Cap	1
4	48RU 2261	CLAMP, Suction Nozzle Cap	8
		Attaching Parts:	
5	23AX 34	NUT, Wing (1/2-13 NC)	8
6	37AX 474	WASHER Plain	8
7	1RS 26	CAP, 4-1/2" Discharge	1
8	6ORS 19001P2	STRAINER, Suction Nozzle Cap	1

# *Mack* PARTS BOOK

PAGE

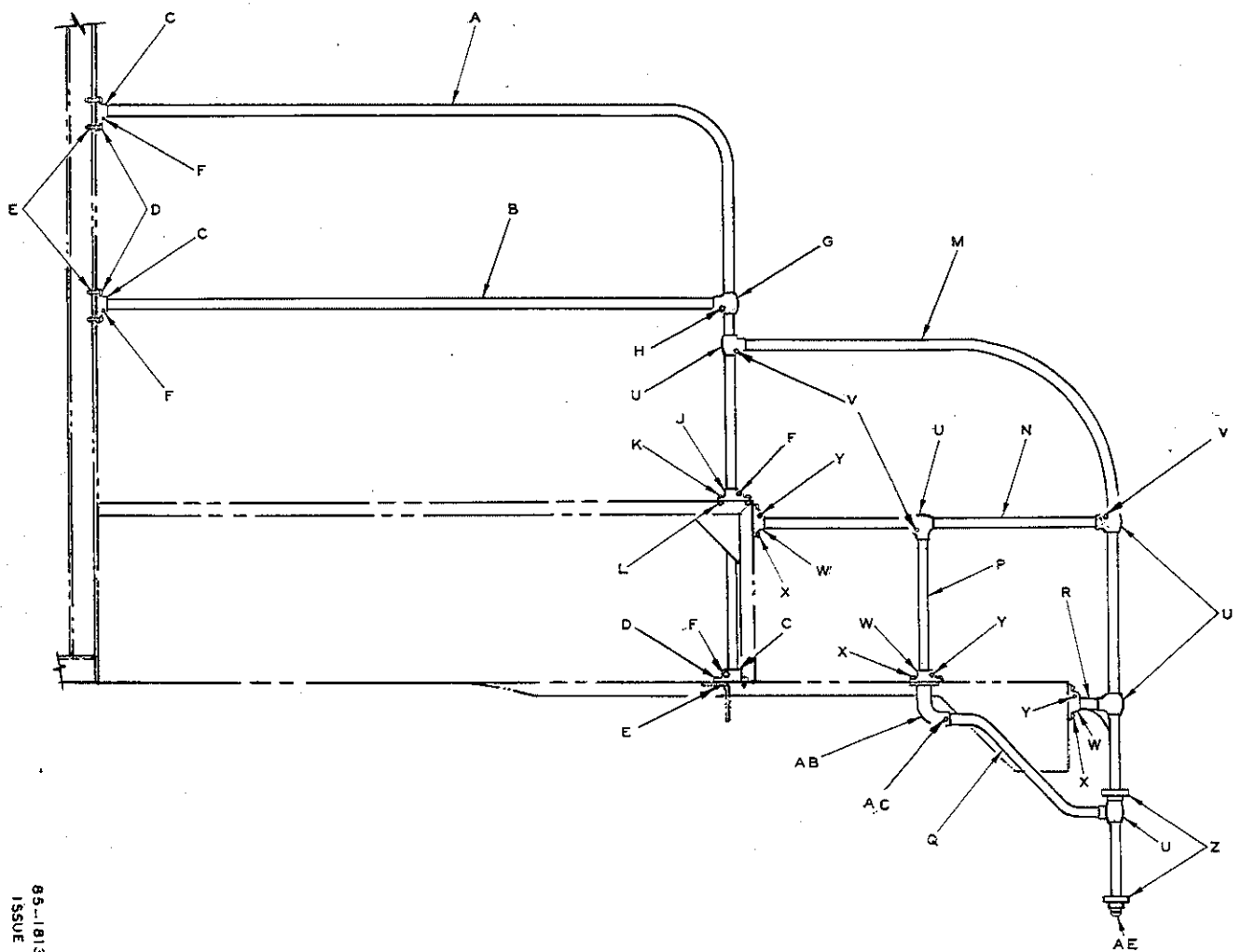


CHASSIS NUMBER must always be given with PART NUMBER when ordering.



LADDER END ARRANGEMENT (FRONT)

85-1713-12



END LADDER & HANDRAIL ARRANGEMENT (REAR)

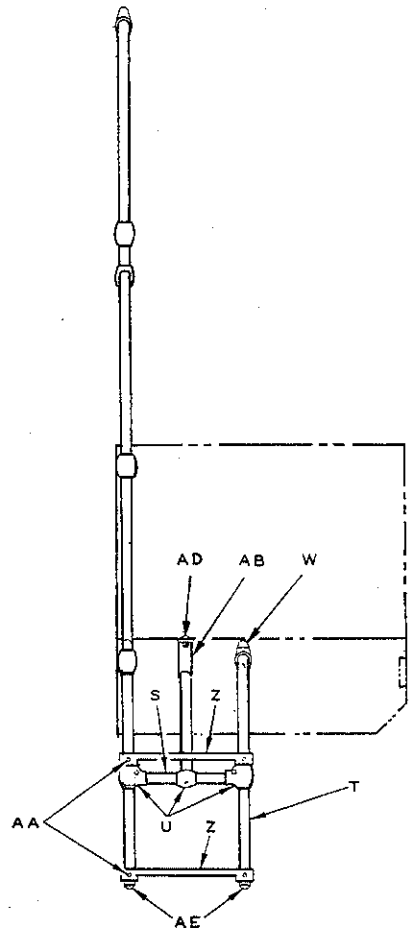


Illustration #85-1713-12.

KEY	PART NUMBER	DESCRIPTION	NO. REQ.
<u>SECTION 3A - 85QMA 459</u>			
A	28RM 12	BRACKET, Handrail (Upper)	2
B		Attaching Parts: SCREW, machine rd. Phillips hd. 5/16-18 NC x 1-1/8 (130AX 1145)	4
C	23AX 332	NUT (5/16-18 NC)	4
C-1	37AX 63	WASHER, Plain	4
D	48RU 1580	CLAMP, Handrail Bracket	4
D-1	103AX 43	Attaching Parts: SCREW (1/4-20 NC)	2
D-2	23AX 246	NUT (1/4-20 NC)	2
E	34RB 2209	HANDRAIL, Body	2
F	32RB 33	BRACKET, Handrail (Lower)	2
G		Attaching Parts: SCREW, machine rd. Phillips hd. 5/16-18 NC x 1-1/8 (130AX 1145)	4
H	23AX 332	NUT (5/16-18 NC)	4
H-1	37AX 63	WASHER, Plain	4
J	65RU 2170P2	ROLL PIN	2
K	39QL 437	STEP, Ladder	6
L	65RU 2170P1	Attaching Parts: ROLL PIN	12



Illustration #85-1813-1

KEY	PART NUMBER	DESCRIPTION	NO. REQ.
		520RH SECTION 4A - 85QMA 521LH	
A	34RB 2210P1	HANDRAIL, Body (Upper)	1
A-1	74RU 1140	ROD, Handrail Support	1
B	34RB 2141P58	HANDRAIL, Body (Lower)	1
C	28RM 12	BRACKET, Handrail	3
C-1	44RU 11044	SHIM, Handrail Bracket	1
		Att Parts:	
D	130AX 274	SCREW, 5/16-18 NC x 1-1/4	6
E	23AX 332	NUT (5/16 - 18 NC)	6
E-1	37AX 68	WASHER, Plain	6
F	48RU 1580	CLAMP, Handrail Bracket	8
		Att Parts:	
F-1	103AX 43	SCREW (1/4-20 NC)	4
F-2	23AX 246	NUT (1/4-20 NC)	4
G	32RB 1208	BRACKET, Lower Front Handrail Rear	1
H	48RU 1580	CLAMP, Lower Front Handrail Rear Bracket	2
		Att Parts:	
H-1	103AX 43	SCREW (1/4-20 NC)	1
H-2	23AX 246	NUT (1/4-20 NC)	1
J	28RM 12	BRACKET, Upper Front Handrail Rear	1
		Att Parts:	
K	130AX 273	SCREW, 5/16-18 NC x 1	2
L	23AX 332	NUT (5/16-18 NC)	2
L-1	37AX 68	WASHER, Plain	2
M	34RB 2210P2	HANDRAIL, Body (Upper Rear)	1
N	34RB 2141P61	HANDRAIL, Body	1
P	34RB 2141P59	HANDRAIL, Body	1
Q	34RB 2211	HANDRAIL, Ladder Support	1
R	34RB 2141P60	HANDRAIL, Body	1
S	34RB 2141P62	HANDRAIL, Body	1
T	34RB 2210P3	HANDRAIL, Body	1
U	32RB 1208	BRACKET, Handrail	7
V	48RU 1580	CLAMP, Handrail Bracket	14
		Att Parts:	
V-1	103AX 43	SCREW (1/4-20 NC)	7
V-2	23AX 246	NUT (1/4-20 NC)	7
W	28RM 12	BRACKET, Handrail	3
		Att Parts:	
X	130AX 273	SCREW, 5/16-18 NC x 1	6
X-1	23AX 332	NUT (5/16-18 NC)	6
X-2	37AX 68	WASHER, Plain	6
Y	48RU 1580	CLAMP, Handrail Bracket	6
		Att Parts:	
Y-1	103AX 43	SCREW (1/4-20 NC)	3
Y-2	23AX 246	NUT (1/4-20 NC)	3
Z	39QL 437	TREAD, Ladder	2
		Att Parts:	
AA	65RU 2170P1	ROLL PIN	4
AB	32RB 33	BRACKET, Handrail	1
		Att Parts:	
AC	65RU 2170P2	ROLL PIN	1
AD	130AX 273	SCREW, 5/16-18 NC x 1	2
AD-1	23AX 332	NUT, 5/16-18 NC	2
AD-2	37AX 68	WASHER	2
AE	95RB 13	CAP, Handrail	2



# Mack PARTS BOOK

## INDEX

### GROUP #45

The Following Variations Apply to this Group

KEY  
ILLUSTRATION NO. PART NUMBER DESCRIPTION GROUP SECTION PAGE

--- 117QL 412 LANDING GEAR MOUNTING ARRGT 45 7A 45-7-1

Same as Standard Except:

1 117QL 413 GEAR ASSY, Landing 1  
(See Component)

### COMPONENT

117QL 413



4248A 12/8/65 ejm-jd

PAGE #45-1

CHASSIS NUMBER must always be given with PART NUMBER when ordering.

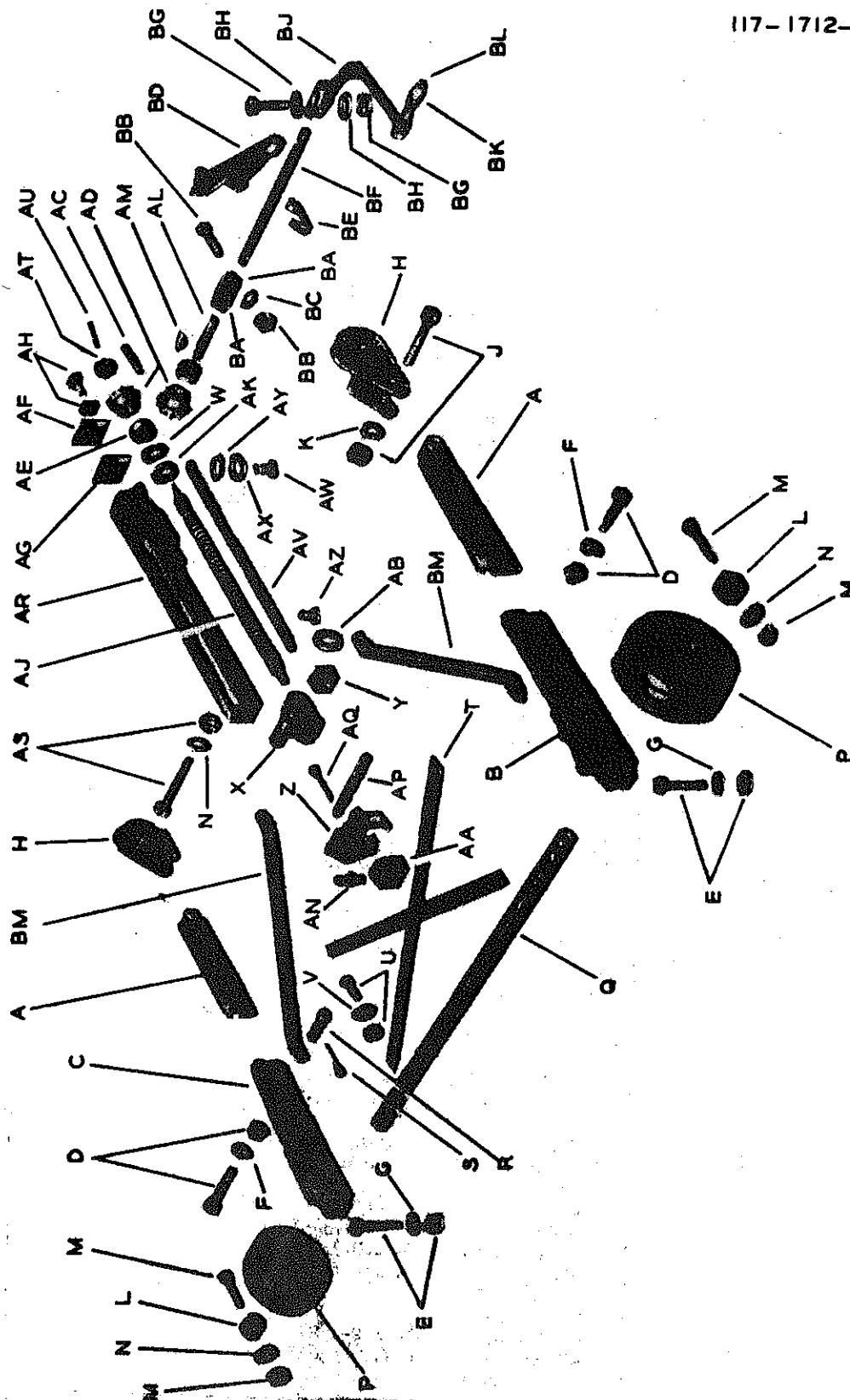
LINE NO.	PART NUMBER	DESCRIPTION	NO. REQ.
<u>SECTION 7A - 117QIA 412</u>			
1	117QIA 411	GEAR ASSEMBLY, Landing (For Components, see back of Group)	1
Attaching Parts:			
2		SCREW, cap, 1/2-20 NF x 1-1/2 (1-1/4"thd.)(1AX 60)	8
3	21AX 475	NUT (1/2-20 NF)	8
4		SCREW, cap, 3/8-24 NF x 1-1/4 (1"thd.)(1AX 24)	5
5		SCREW, cap, 3/8-24 NF x 2 (1"thd.)(1AX 34)	2
6	21AX 313	NUT (3/8-24 NF)	7

**MACK CHASSIS NUMBER** must always be given with **PART NUMBER** when ordering.

### COMPONENT PARTS

117QLA 413, 414  
LANDING GEAR ASSEMBLY

117-1712-1



## COMPONENT PARTS

117QLA 413, 414  
LANDING GEAR ASSEMBLY (Cont.)

KEY	PART NUMBER	DESCRIPTION	NO. REQ.
A	3889 H-320	LEG, Upper	2
B	3889 H-321-R	LEG, Lower (Right)	1
C	3889 H-321-L	LEG, Lower (Left)	1
		Attaching Parts:	
D	3889 H-330	BOLT & NUT(5/8-11 x 3-1/2 Hex. Hd.)	4
E	3889 H-331	BOLT & NUT(1/2-13 x 3-1/4 Hex. Hd.)	4
F		WASHER, Lock, 5/8 I.D. (36AX 7)	4
G		WASHER, Lock, (1/2 I.D.)(36AX 5)	4
H	3889 H-303-B	BRACKET, Low Leg	2
		Attaching Parts:	
J	3889 H-305	BOLT & NUT(1-8 x 6 Hex. Hd.)	2
K		WASHER, Lock (1" I.D.)(36AX 11)	2
L	3889 V737	COLLAR, Axle	2
		Attaching Parts:	
M	3889 V-419	BOLT & NUT(3/8-16 x 2-1/2Hex. Hd.)	2
N		WASHER, Lock, (3/8 I.D.)(36AX 3)	2
P	3889 V-745A	WHEEL (10x 4)	2
Q	3889 H-315-1	SHAFT, Axle	1
R	3889 H-323	PIN, (Back to Brake Leg)	2
		Attaching Parts:	
S	3889 411	COTTER PIN(1/4 x 1-1/2)	2
T	3889 H-327	BRACE, Cross	2
		Attaching Parts:	
U	3889 H-329	BOLT & NUT(1/2-13 x 1-1/4 Hex. Hd.)	5
V		WASHER, Lock (1/2 I.D.)(36AX 5)	5
W	3889 H-36	WASHER, Screw Type Shaft Spacer	7
X	3889 H-201-AL	BRACKET, Guide	1
Y	3889 H-201B	WHEEL, Guide Bracket	4
Z	3889 H-202	BRACKET, HOusing	1
AA	3889 H-204	BEARING, Rear Screw	1
AB	3889 H-205B	NUT, Guide Bracket	1
AC	3889 H-31	KEY, Sq. (1/4 x 7/8)	1
AD	3889 H-106	GEAR, Miter	2
AE	3889 V-648	BEARING, Ball Thrust	2
AF	3889 H-215A	COVER, Gear Box	1
		Attaching Parts:	
AG	3889 H-37	GASKET	1
AH	3889 H-34	BOLT & NUT(5/16-18 x 1 sq. Hd.)	2
AJ	3889 H-209A	SHAFT, Screw Type (1-1/4 x 42)	1
AK	3889 H-39	WASHER, Screw Type Shaft Plain	1
AL	3889 H-212	SHAFT, Miter Gear	1
		Attaching Parts:	
AM	3889 H-32	KEY, Woodruff #15	1
AN	3889 H-38	FITTING, Rear ScrewBearing	2
AP	3889 H-214B	PIN, Guide Bracket	1
		Attaching Parts:	
AQ	3889 H-33	COTTER PIN(3/8 x 4)	2
AR	3889 H-228	SHAFT & GEAR HOUSING ASSY., Screw Type	1
		Attaching Parts:	
AS	3889 H-35	BOLT & NUT(3/8-16 x 4 Hex. Hd.)	1
AT	3889 H-30	NUT, JAM, Screw Type Shaft (1-14 NF)	1
		Attaching Parts:	
AU	3889 H-317	PIN, Tapper (3 x 1-3/4 L.)	1
AV	3889 H-218	STRAP, Stl. (1-11/16 x .016 x 42)	1
		Attaching Parts:	
AW	3889 H-23	BOLT,Stove Rd. Hd. (1/4-20 x 1/2)	1
AX		WASHER, Lock (1/4 I.D.)(36AX 1)	1
AY	37AX 471	WASHER, Plain (1/4 I.D.)	1
AZ	3889 128	SCREW, Drive (10 x 1/2 Type U)	1
BA	63RW 132A	JOINT, Universal	2
BB	)		
thru	) Not Used		
BE	)		

THIS REPLACES ALL COPIES PRIOR TO SEPTEMBER 7, 1965.

**COMPONENT PARTS**

117QLA 413, 414

LANDING GEAR ASSEMBLY (CONT.)

KEY	PART NUMBER	DESCRIPTION	NO. REQ.
BF	74RU 1148	SHAFT, Crank (1 x 19-1/2" L)	1
BG	Not Used		
BH	Not Used		
BH-1	9MX 2292	BRACKET, Crank Shaft Mounting	2
BH-2			
thru	Not Used		
BH-4			
BH-5	71RU 2649	PLATE, Crank Shaft Mounting Bracket	2
BH-6		Attaching Parts:	
BH-7	21AX 441	SCREW, Cap 1/4-28 NF x 1 (3/4" thd.)(1AX 126)	4
BH-8	Not Used	NUT, (1/4-28 NF)	4
BH-9	12QD 221AP1	BEARING, Shaft Mounting Bracket	2
BH-10		Attaching Parts:	
BH-11		SCREW, Cap 5/16-24 NF x 1-1/8 (7/8 thd.)(1AX 5)	6
BH-12		NUT, Hex. 5/16-24 NF (20AX 2)	6
BH-13		WASHER, Lock 5/16 I.D. (36AX 22)	6
BH-14	74RU 242	ROD COMPLETE, Crank Shaft	1
BH-15	---	BRACKET, Crank Nesting	1
BH-16		Attaching Parts:	
BH-17		SCREW, Machine Flat Phillips Hd., 1/4-20 NCX 1-1/4 (130AX103)	2
BH-18	23AX 331	NUT(1/4-20 NC)	2
BH-19	37AX 471	WASHER, Plain	2
BH-20	77RU 170	PIN, Crank Nesting	1
BH-21	Not Used		
BH-22	Not Used		
		117QLA 414	
		Same as 117QLA 413 Except	
BF	74RU 1148P2	SHAFT, Crank (1x 24 3/4" Lg.)	1
BH-1	9MX 2293	BRACKET, Crank Shaft Mounting	2
BH-2		Attaching Parts:	
BH-3	1AX 126	SCREW, 1/4-28 NF x 1	4
BH-4	20AX 1	NUT, 1/4-28 NF	4
BH-5	36AX 1	WASHER, Lock 1/4 I.D.	4
BH-6	71RU 2468	PLATE, Crank Shaft Mounting Bracket	2
BH-7		Attaching Parts:	
BH-8	1AX 374	SCREW, 1/4-28 NF x 3/4	6
BH-9	20AX 1	NUT, 1/4-28 NF	6
BH-10	36AX 1	WASHER, Lock 1/4 I.D.	6
BH-11	74RU 1149	ROD, Crank Nesting	1
BH-12		Attaching Parts:	
BH-13	1AX 32	SCREW, 1/4-28 NF x 7/8	1
BH-20	36AX 1	WASHER, Lock 1/4 I.D.	1

## COMPONENT PARTS

117QLA 413, 414  
LANDING GEAR ASSEMBLY (Cont.)

KEY	PART NUMBER	DESCRIPTION	NO. REQ.
A	3889 H-320	LEG, Upper	2
B	3889 H-321-R	LEG, Lower (Right)	1
C	3889 H-321-L	LEG, Lower (Left)	1
D	3889 H-330	Attaching Parts: BOLT & NUT(5/8-11 x 3-1/2 Hex. Hd.)	4
E	3889 H-331	BOLT & NUT(1/2-13 x 3-1/4 Hex. Hd.)	4
F		WASHER, Lock, 5/8 I.D. (36AX 7)	4
G		WASHER, Lock, (1/2 I.D.)(36AX 5)	4
H	3889 H-303-B	BRACKET, Low Leg	2
J	3889 H-305	Attaching Parts: BOLT & NUT(1-8 x 6 Hex. Hd.)	2
K		WASHER, Lock (1" I.D.)(36AX 11)	2
L	3889 V737	COLLAR, Axle	2
M	3889 V-419	Attaching Parts: BOLT & NUT(3/8-16 x 2-1/2Hex. Hd.)	2
N		WASHER, Lock, (3/8 I.D.)(36AX 3)	2
P	3889 V-745A	WHEEL (10x 4)	2
Q	3889 H-315-1	SHAFT, Axle	1
R	3889 H-323	PIN, (Back to Brake Leg)	2
S	3889 411	Attaching Parts: COTTER PIN(1/4 x 1-1/2)	2
T	3889 H-327	BRACE, Cross	2
U	3889 H-329	Attaching Parts: BOLT & NUT(1/2-13 x 1-1/4 Hex. Hd.)	5
V		WASHER, Lock (1/2 I.D.)(36AX 5)	5
W	3889 H-36	WASHER, Screw Type Shaft Spacer	7
X	3889 H-201-A1	BRACKET, Guide	1
Y	3889 H-201B	WHEEL, Guide Bracket	4
Z	3889 H-202	BRACKET, HOusing	1
AA	3889 H-204	BEARING, Rear Screw	1
AB	3889 H-205B	NUT, Guide Bracket	1
AC	3889 H-31	KEY, Sq. (1/4 x 7/8)	1
AD	3889 H-106	GEAR, Miter	2
AE	3889 V-648	BEARING, Ball Thrust	2
AF	3889 H-215A	COVER, Gear Box	1
AG	3889 H-37	Attaching Parts: GASKET	1
AH	3889 H-34	BOLT & NUT(5/16-18 x 1 sq. Hd.)	2
AJ	3889 H-209A	SHAFT, Screw Type (1-1/4 x 42)	1
AK	3889 H-39	WASHER, Screw Type Shaft Plain	1
AL	3889 H-212	SHAFT, Miter Gear	1
AM	3889 H-32	Attaching Parts: KEY, Woodruff #15	1
AN	3889 H-38	FITTING, Rear Screw Bearing	2
AP	3889 H-214B	PIN, Guide Bracket	1
AQ	3889 H-33	Attaching Parts: COTTER PIN(3/8 x 4)	2
AR	3889 H-228	SHAFT & GEAR HOUSING ASSY., Screw Type	1
AS	3889 H-35	Attaching Parts: BOLT & NUT(3/8-16 x 4 Hex. Hd.)	1
AT	3889 H-30	NUT, JAM, Screw Type Shaft (1-14 NF)	1
AU	3889 H-317	Attaching Parts: PIN, Tapper (3 x 1-3/4 L.)	1
AV	3889 H-218	STRAP, Stl. (1-11/16 x .016 x 42)	1
AW	3889 H-23	Attaching Parts: BOLT, Stove Rd. Hd. (1/4-20 x 1/2)	1
AX		WASHER, Lock (1/4 I.D.)(36AX 1)	1
AY	37AX 471	WASHER, Plain (1/4 I.D.)	1
AZ	3889 128	SCREW, Drive (10 x 1/2 Type U)	1
BA	63RW 132A	JOINT, Universal	2
BB	)		
thru	)	Not Used	
BE	)		

