



**E3 SYSTEMS LTD.**

YOUR ONE STOP MARKING AND DECORATING SOLUTION PROVIDER SINCE 1975



CFIB



# PP-18



## FEATURES

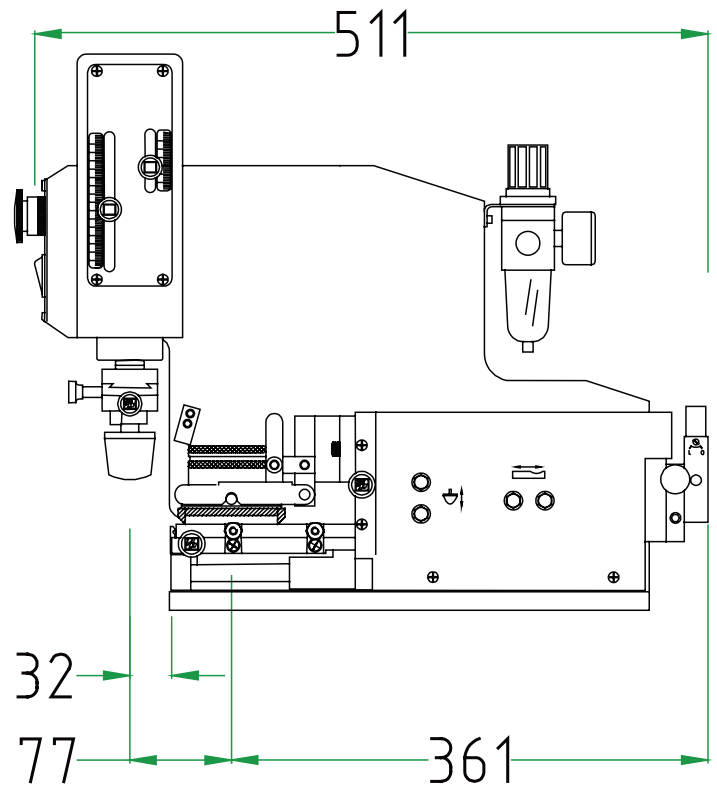
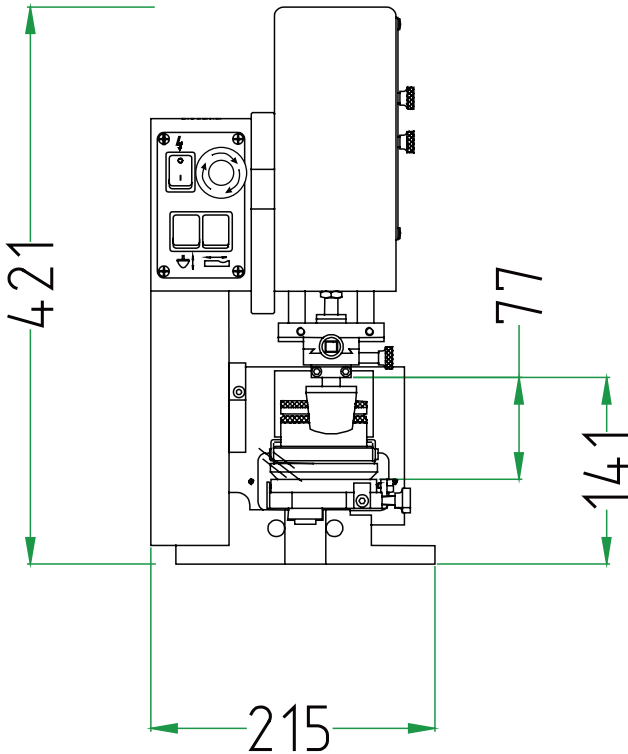
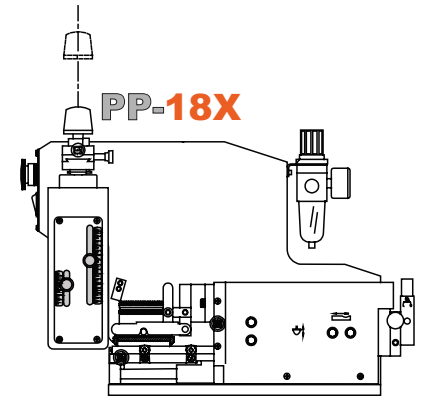
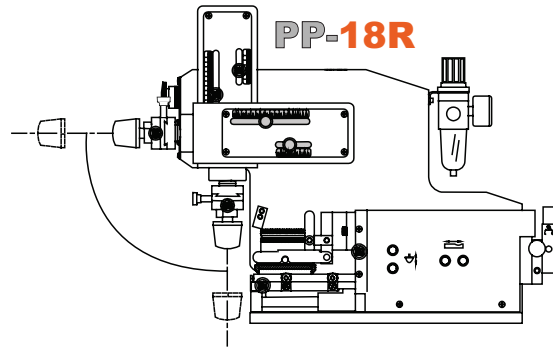
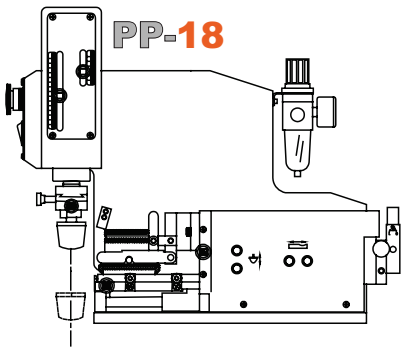
- ✔ High speed, single color pad printer
- ✔ Simple control sequence
- ✔ Ideal in integrating with auto feed production line or extruders
- ✔ Light weight, rigid aluminum cast machine frame
- ✔ Extra long pad stroke allows to print below machine base level
- ✔ Quick die plate changeover
- ✔ PP-18R version can print horizontally
- ✔ PP-18X version can print vertically, upwards

## SPECIFICATIONS

Machine model :	PP18	PP18R	PP18X
Plate size :	80 x 160 mm	80 x 160 mm	80 x 160 mm
Cup size:	60, 70 mm	60, 70 mm	60, 70 mm
Max. print diameter :	50, 60 mm	50, 60 mm	50, 60 mm
Max. speed :	3,600 cycles/hr.	3,600 cycles/hr.	3,600 cycles/hr.
Max. pad pressure :	270N @ 6 bar	270N @ 6 bar	270N @ 6 bar
Power :	110/220V 60/50 Hz 50W	110/220V 60/50 Hz 50W	110/220V 60/50 Hz 50W
Air consumption :	103 litre/min.	100 litre/min.	110 litre/min.
Size (L x W x H) :	540 x 220 x 450 mm	540 x 220 x 450 mm	540 x 220 x 450 mm
Weight :	15.5kg	15kg	16kg

\*Please note that actual output may be affected by print requirement, ink drying condition, load/unload arrangement, pad stroke speed, pad hardness, production setup, product quality and production control.

**OPTIONAL**



Ask us for a special pricing on a complete package which includes PP-18 Series Pad Printer System, Start-up package, Delivery, Set-up and Training.



**Lease from \$99.99 per month O.A.C.**

This special financing program has been created to give you the opportunity to begin cash flow stream during your first 12 months. Lease through National Leasing: 100% Business Write Off, 5 Year Fixed Rate Lease, No Money Down, No Up Front Administration Fees, \$99.99 Per Month For The First 12 Months With A 10% Early Purchase Option On Approved Credit. Other Terms Available.

9-1060 SALK ROAD, PICKERING, ONTARIO, CANADA L1W 3C5 ▲ T(905) 420-3311 ▲ F(905) 420-3377 ▲ e3systems.ca

