

SPECIFICATIONS

Output: 70 LPH @13VDC

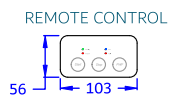
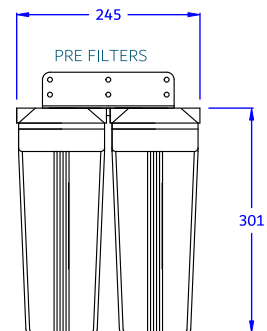
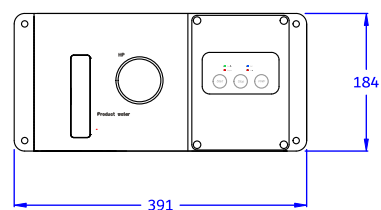
Power: 260 Watts

Current: 20 Amps

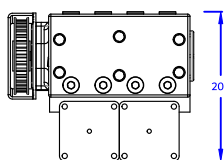
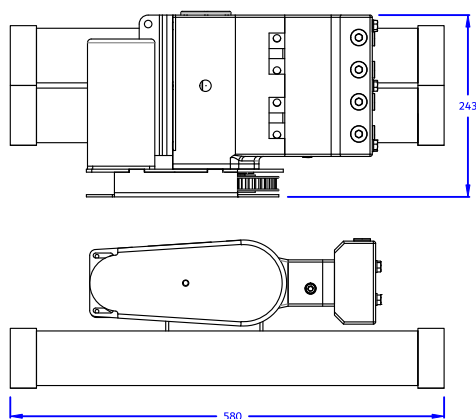
FEATURES

- Fully Automatic including pressure regulation and Salinity Control.
- High pressure, Low pressure and low product water safety cutouts.
- Brushless Magdrive Booster pump
- Quiet operation
- Very easy to operate
- Ultra Efficient

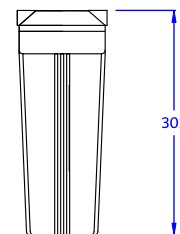
LOCAL CONTROL PANEL



PUMP MOTOR AND MEMBRANES



PRODUCT WATER FILTER



FWF FILTER

