



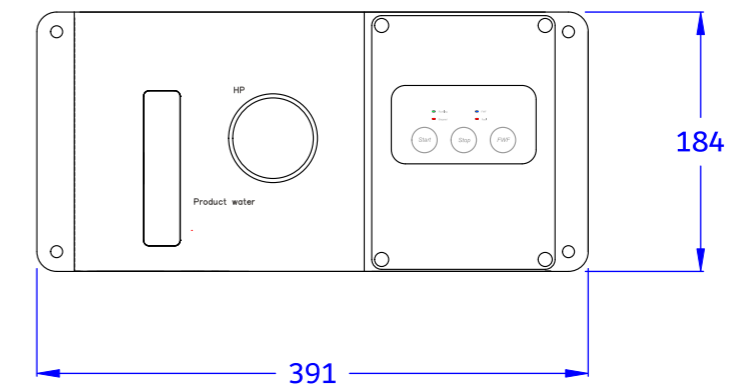
SPECIFICATIONS

Output: 150 LPH @13VDC  
 Power: 540 Watts  
 Current: 42 Amps

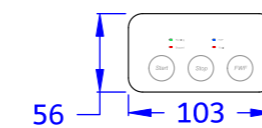
FEATURES

- Fully Automatic including pressure regulation and Salinity Control.
- High pressure, Low pressure and low product water safety cutouts.
- Brushless DC Pump motor
- Brushless Magdrive Booster pump
- Quiet operation
- Very easy to operate
- Ultra Efficient

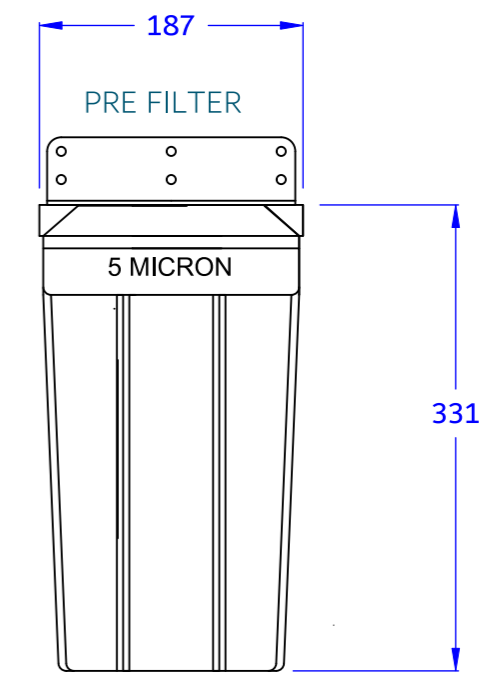
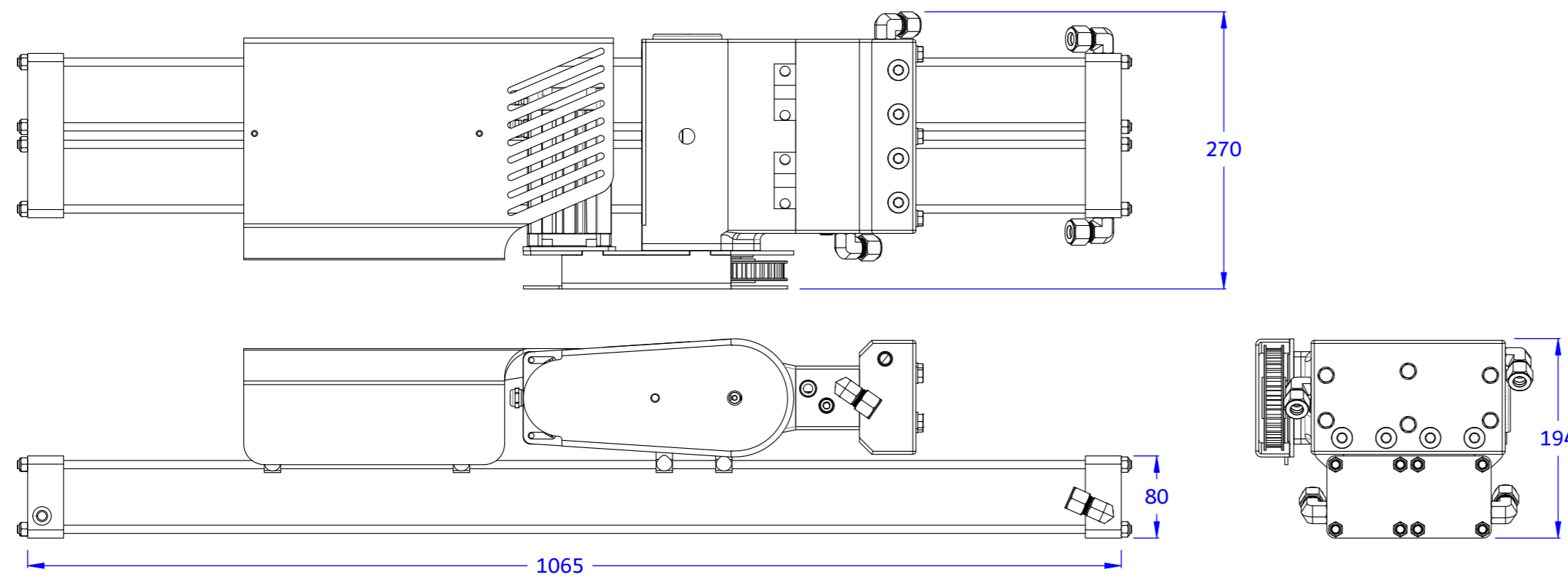
LOCAL CONTROL PANEL



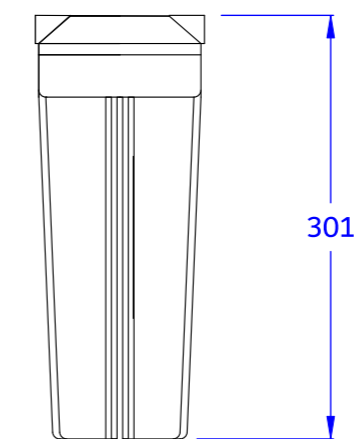
REMOTE CONTROL



PUMP MOTOR AND MEMBRANES



PRODUCT WATER FILTER



FWF FILTER

