

TOWER COMPONENTS



Reservoir Base



Reservoir Lid



Tower Sections (x3)



Baby Greens Sections (x2)



Shower Cap & Lid



Water Pump



Swivel Hose



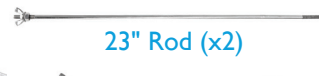
Timer



Access Port Lid



Water Monitor



23" Rod (x2)



15" Rod (x2)



Wingnuts (x7), Bolts (x3), Washers (x4)

GROWING & MAINTENANCE



Germination Tray



Rockwool Cubes



Starter Seed Packs



Vermiculite



Mineral Blends A & B



pH Kit



Measuring Cup



Drain Pipe  
(Sold Separately)



Net Pots

LED GROW LIGHT KIT (optional)



LED Light Base



LED Lamps (x4)



Cord Conduit

TOWER ASSEMBLY

1

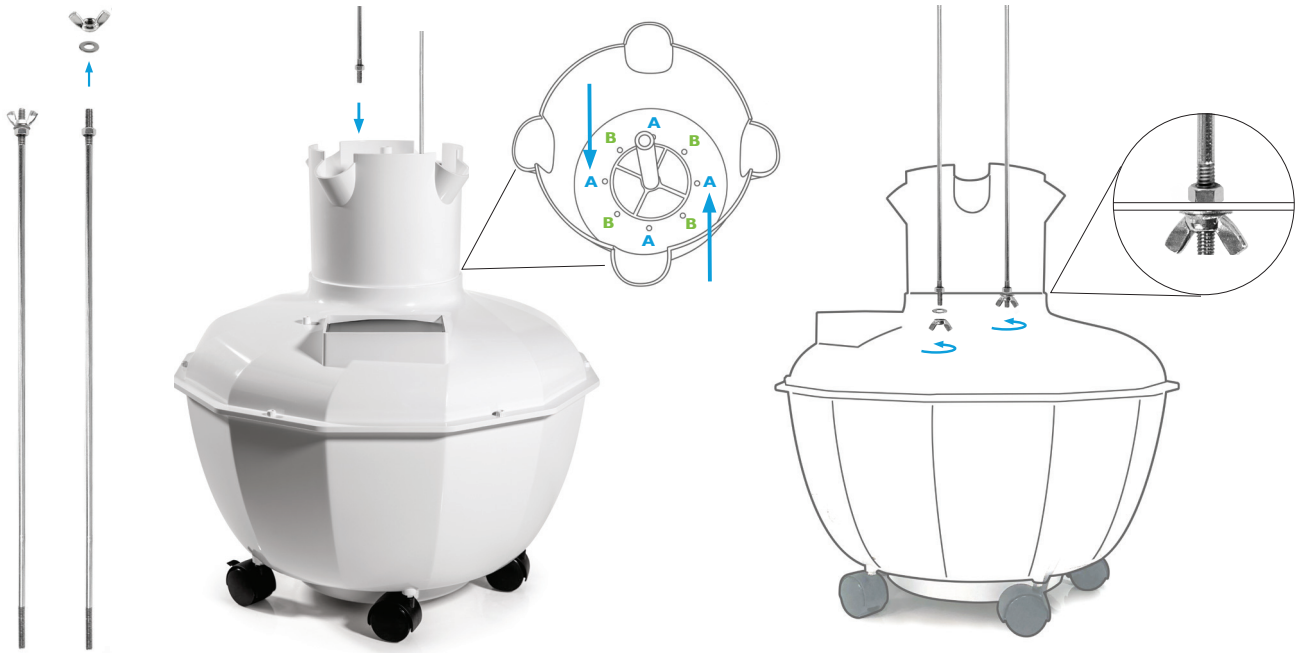


2

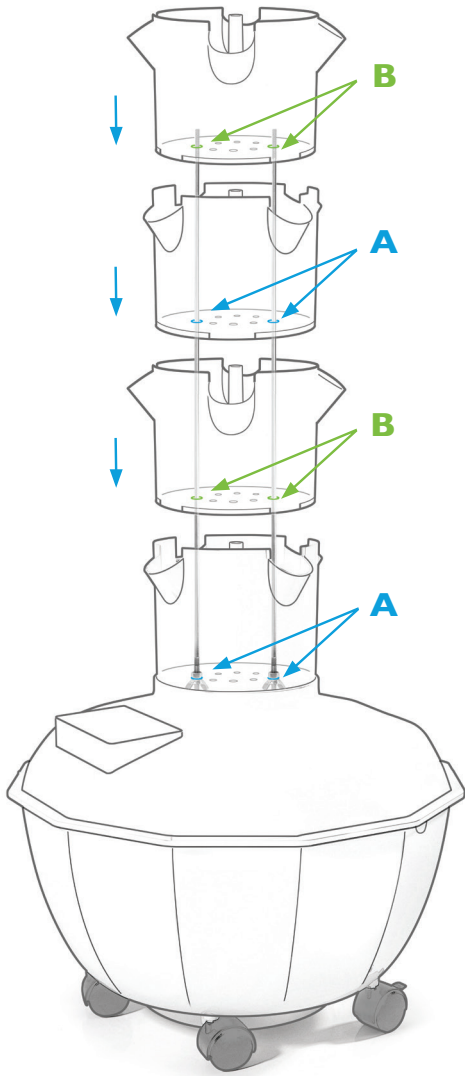


3

23 in.



4

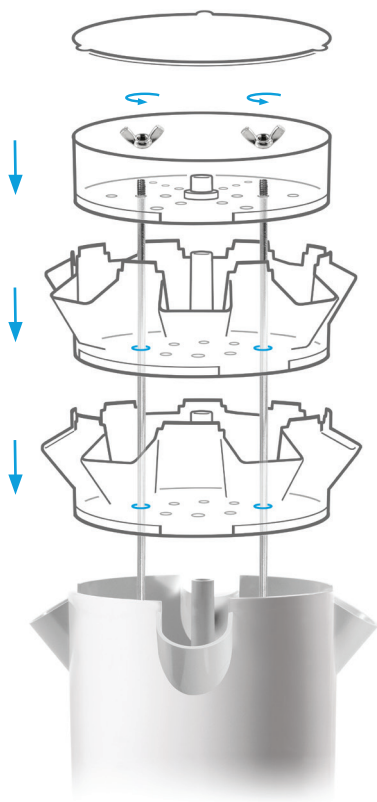


5

15 in.



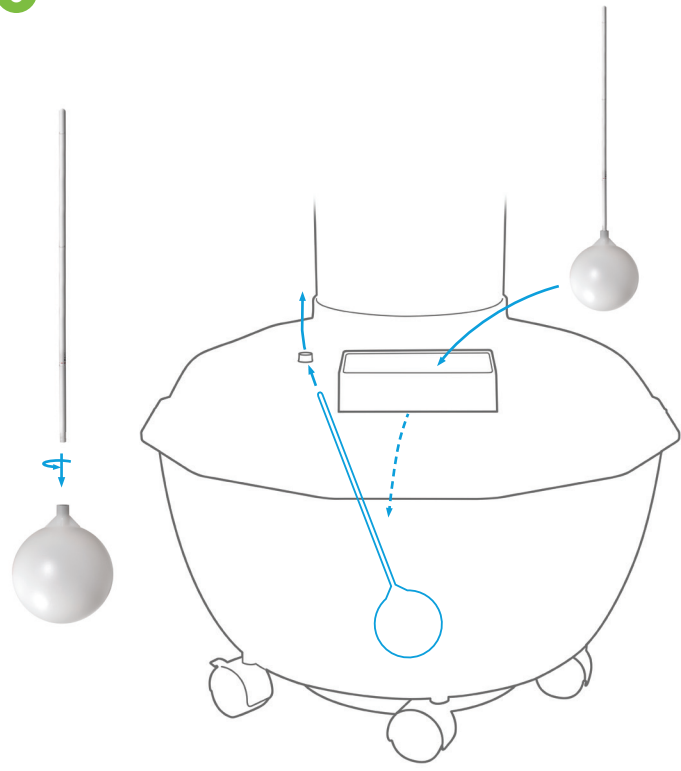
6



7



8

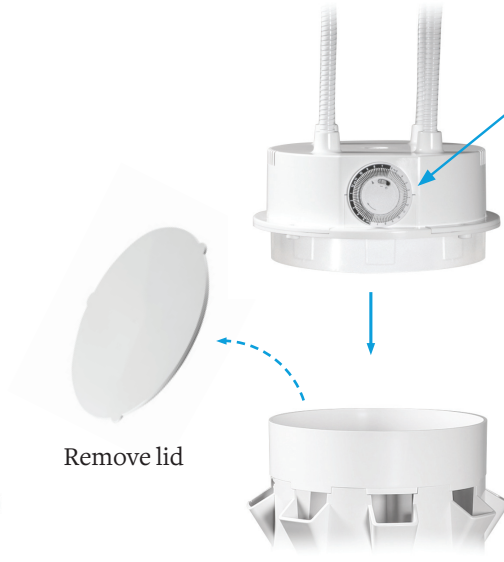


9



## OPTIONAL LIGHT KIT

10



Remove lid

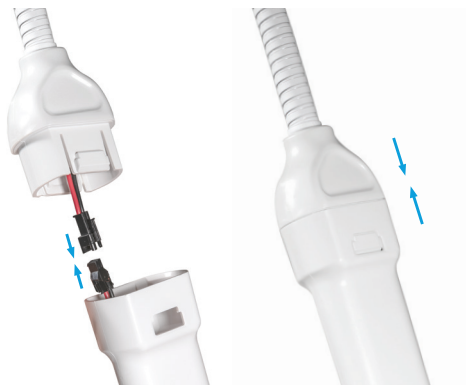
Align timer with access port lid to ensure cord runs down the back of the tower



11



x4



Connect wire terminals and snap lamps and arms together

Make sure LED lamps are facing tower and adjust arms so lights are equidistant



12



Separate halves of cord conduit (Trim to fit if needed.)



Affix back of conduit to back of tower via velcro strips; thread electric cord through conduit and snap on cover

Refer to Growing Guide for additional instructions and to start growing.

Video instructions available at: [youtube.com/OfficialTowerGarden](https://www.youtube.com/OfficialTowerGarden)