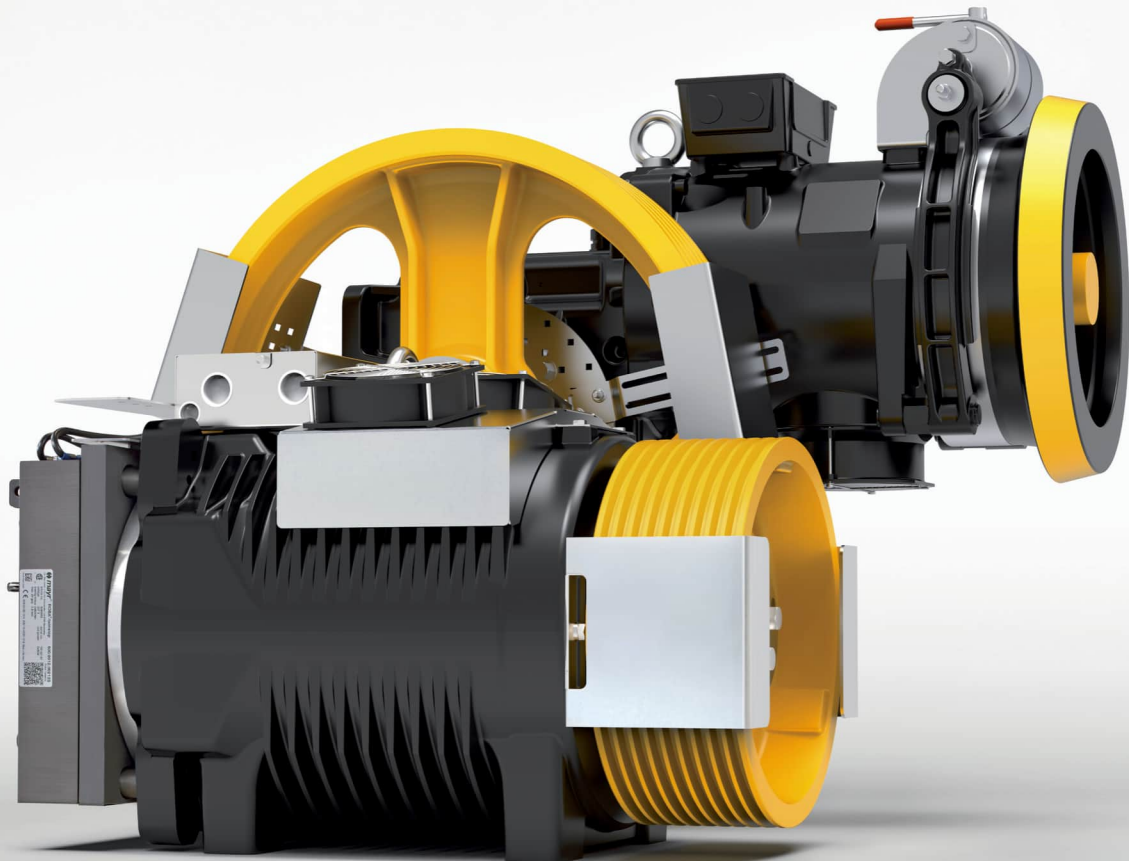


PEW Electrical  
Distributors



# GEARED & GEARLESS SERIES

machines for lifting solutions



BRH0028\_REV 13 - ENG

[www.sicoritaly.com](http://www.sicoritaly.com)

**PEW Electrical Distributors Ltd**

Unit 1 The iO Centre  
59-71 River Road  
Barking, Essex IG11 0DR

**0208 507 1001**

[sales@pewelectrical.com](mailto:sales@pewelectrical.com)  
[www.pewelectrical.com](http://www.pewelectrical.com)



“

Understanding the market,  
anticipating its needs,  
making them ours and  
building our projects on them.

”

## Driving the future

Sicor S.R.L., founded in 1981 in Rovereto (TN) as a manufacturer of lifting machines for elevators. Always focused on the application, thanks to a constant process of research and development, Sicor has developed over the years a complete range of products, geared and gearless machines, fit to satisfy the many and varied needs of the market.



Design and production are carried out according to a tested Quality System which guarantees the reliability and performance of the machines.

Each produced motor is subjected to a rigorous final test and quality checks are carried out on all the components.

The test tower allows the verification of machines in the real operating environment of the final customer allowing a perfect set-up.

An innovative online product configurator allows to quickly identify the appropriate traction unit based on the main specifications of the lift system.

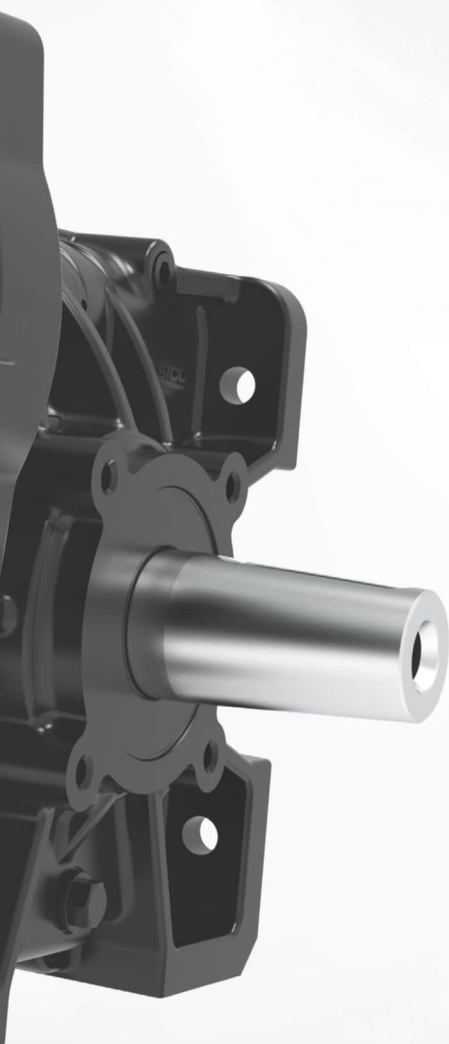
SICOR has also certified its quality system, its health and safety management system and its environmental management system according to the most important international standards.

The market needs new answers and Sicor offers them through a new vision, made up of agility, innovation, customer involvement and service quality.

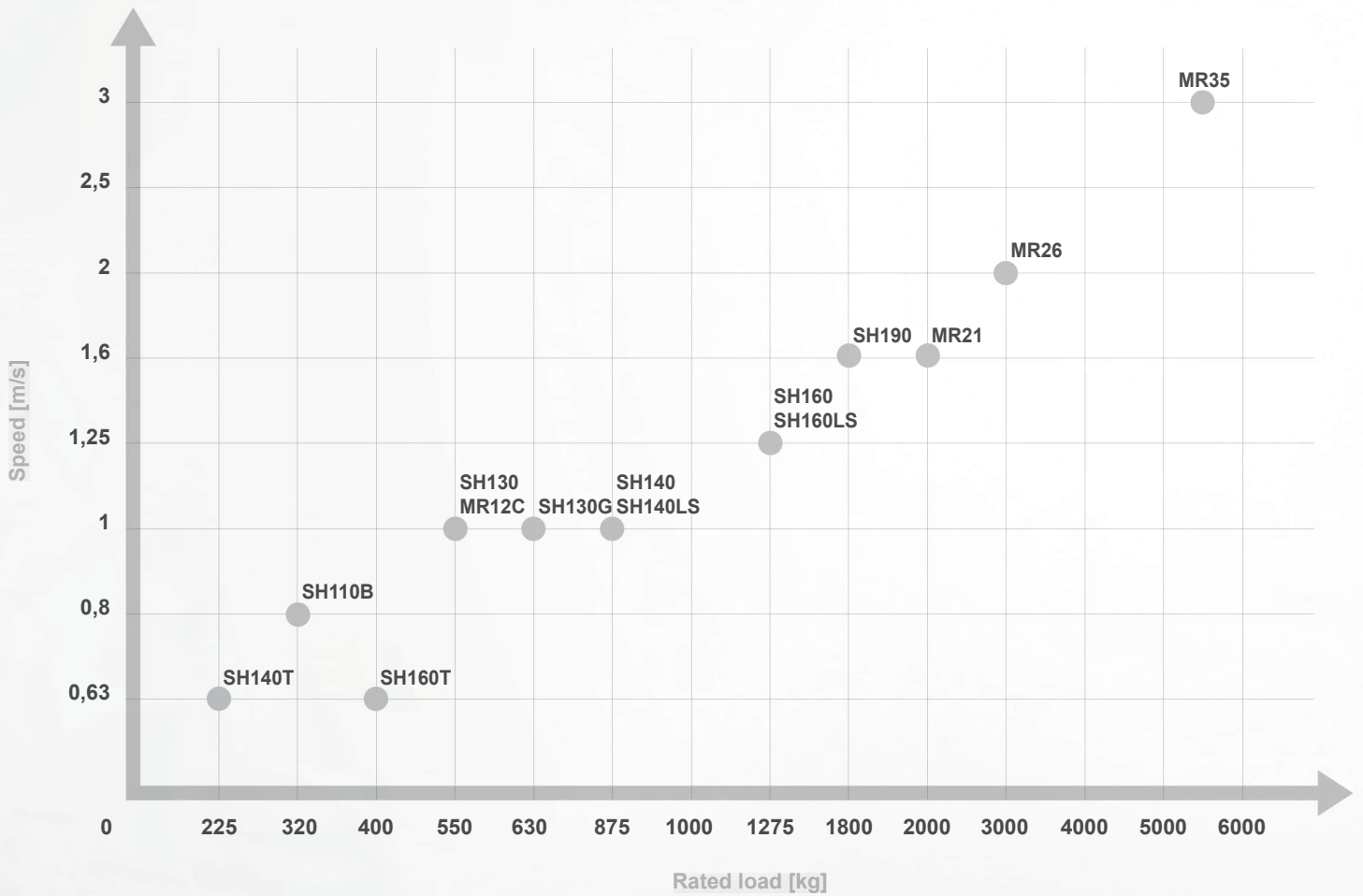
# “GEARED”

For lifting solutions”

Performance	p.7
SH110B - MR12C	p.8
SH130 - SH130G	p.9
SH140 - SH160	p.11
SH190 - MR21	p.13
MR26 - MR35	p.14
SH140T - SH160T	p.15
Versions	p.18

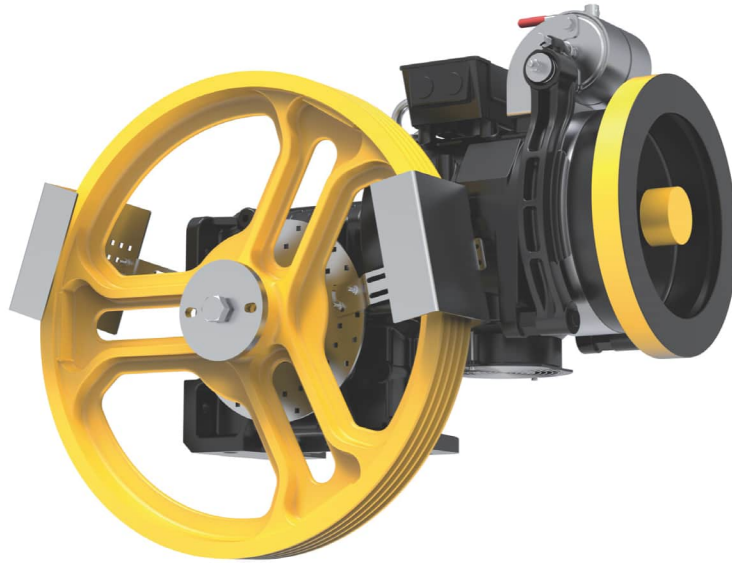


## GEARED



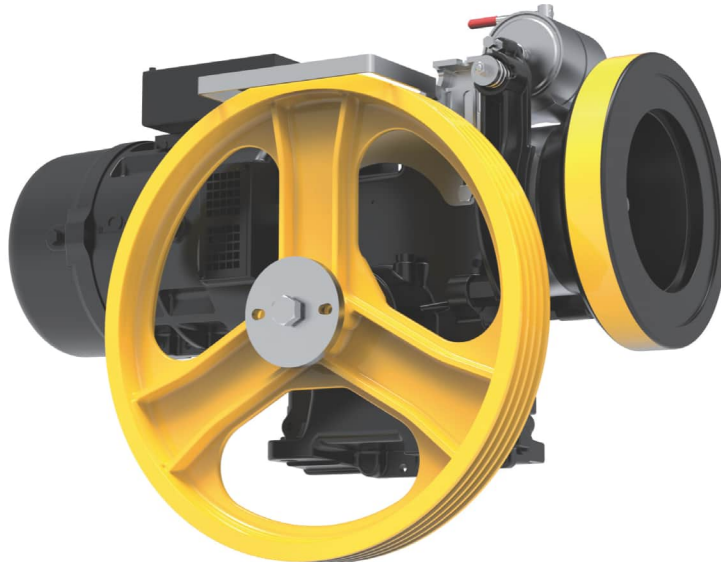
The production range of Sicor geared machines covers rated loads up to 5.500kg in roping 1:1, speeds of up to 4m/s with traction sheaves from 320 to 885mm. Numerous special versions and options are available on request.





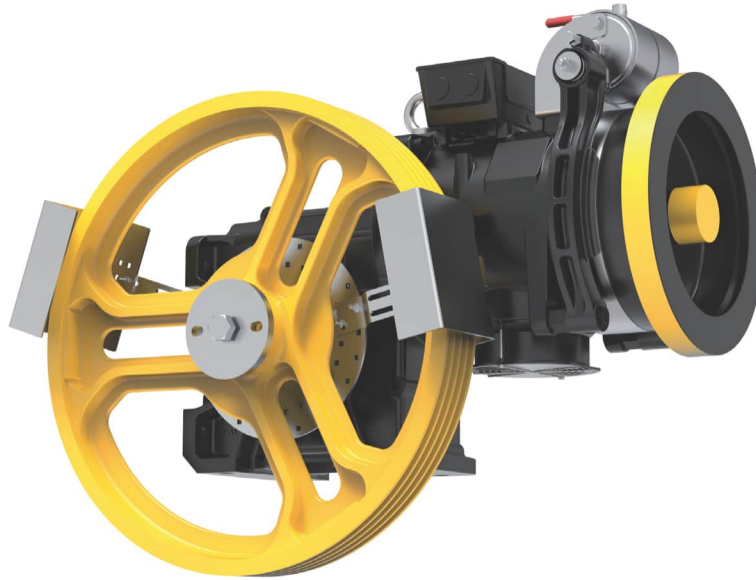
### GEARED SH110B

Max. Static Load	20,6 kN - 2100 kg
Maximum Weight	200 kg
Ratio	1/55; 1/43; 2/55; 2/43
Oil capability	2,9 l
Power Range	50 Hz → 2,7 ÷ 5,5 kW - 60 Hz → 4 ÷ 6 kW



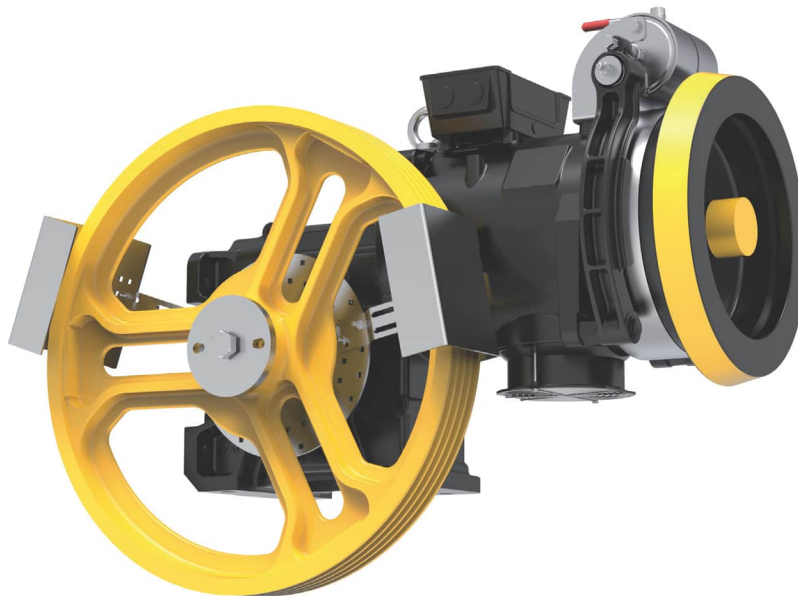
### GEARED MR12C

Max. Static Load	25,5 kN - 2600 kg
Maximum Weight	240 kg
Ratio	1/52; 1/45; 1/43; 2/53; 2/43
Oil capability	3,8 l
Power Range	50 Hz → 2,7 ÷ 6,7 kW - 60 Hz → 4 ÷ 6 kW



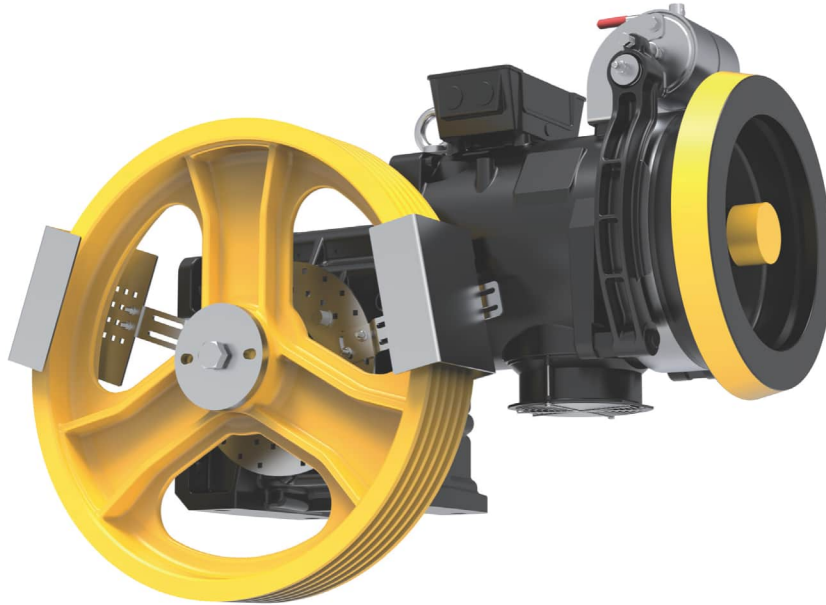
### GEARED SH130

Max. Static Load	25,5 kN - 2600 kg
Maximum Weight	250 kg
Ratio	1/52; 1/45; 1/43; 1/37; 2/43
Oil capability	3,7 l
Power Range	50 Hz → 2,7 ÷ 7,5 kW - 60 Hz → 4 ÷ 8,2 kW



### GEARED SH130G

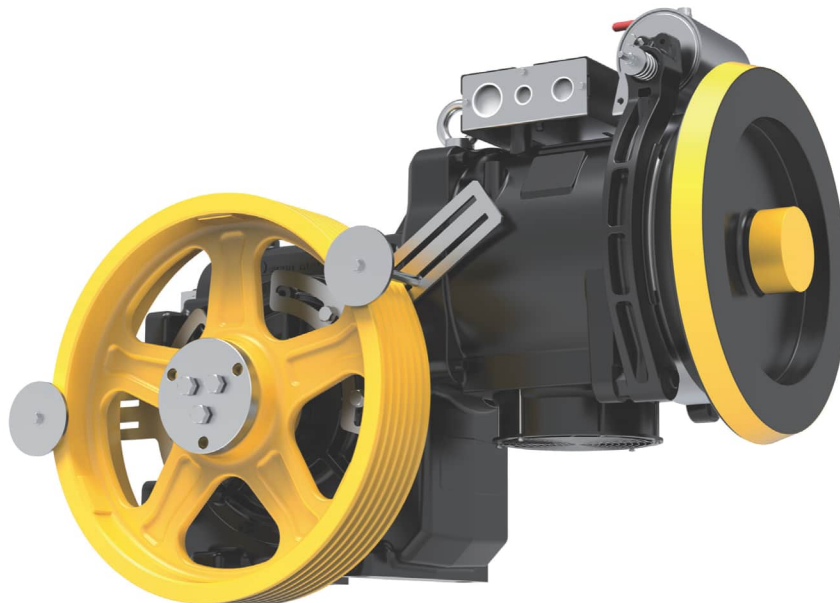
Max. Static Load	28,4 kN - 2900 kg
Maximum Weight	250 kg
Ratio	1/52; 1/43; 1/37
Oil capability	3,7 l
Power Range	50 Hz → 5,5 ÷ 7,5 kW - 60 Hz → 6 ÷ 8,2 kW



**GEARED SH140**



Max. Static Load	<b>32,4 kN - 3300 kg</b>
Maximum Weight	<b>280 kg</b>
Ratio	<b>1/71; 1/59; 1/52; 1/45; 1/37; 2/71; 2/53; 3/47</b>
Oil capability	<b>3,6 l</b>
Power Range	<b>50 Hz → 2,7 ÷ 11 kW - 60 Hz → 4 ÷ 12 kW</b>

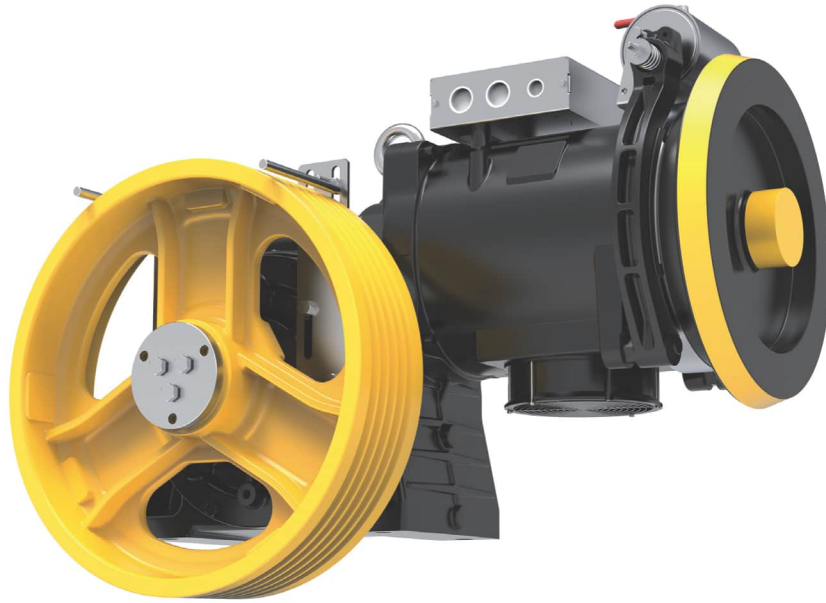


**GEARED SH160**



Max. Static Load	<b>42,2 kN - 4300 kg</b>
Maximum Weight	<b>450 kg</b>
Ratio	<b>1/55; 1/43; 1/35; 2/53; 2/43; 3/41</b>
Oil capability	<b>9 l</b>
Power Range	<b>50 Hz → 5,1 ÷ 20 kW - 60 Hz → 5,5 ÷ 18 kW</b>

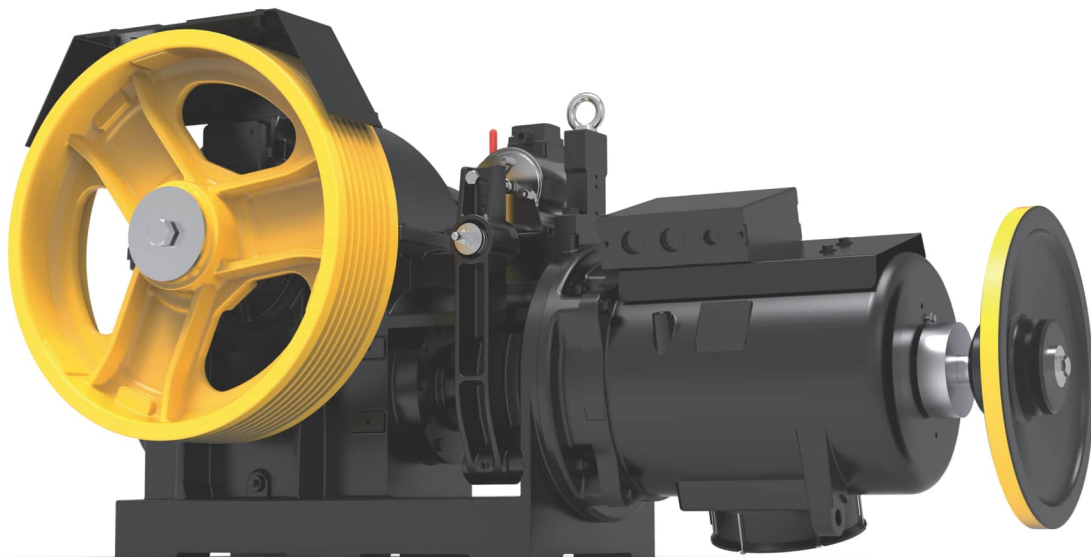




**GEARED SH190**



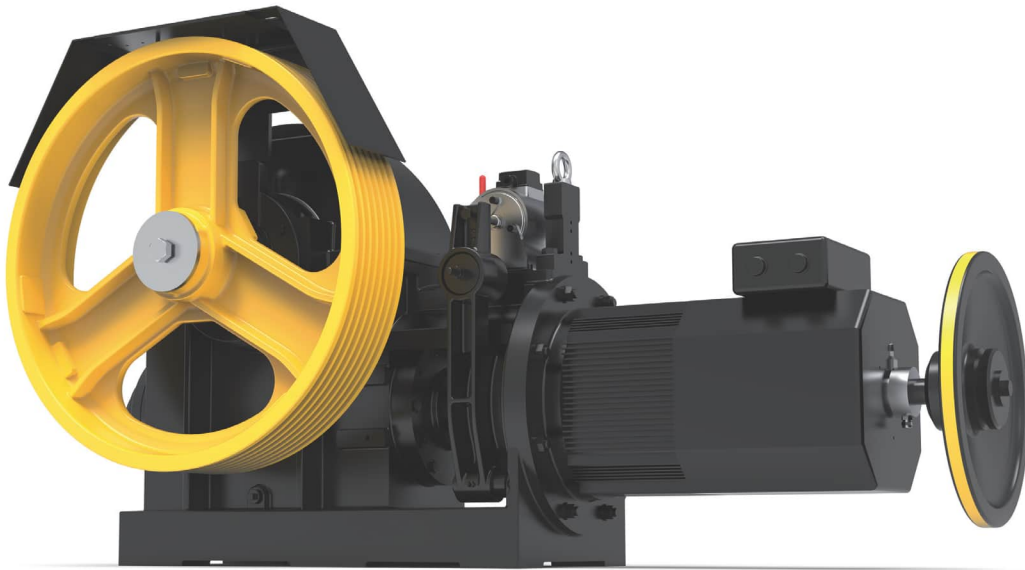
Max. Static Load	<b>51 kN - 5200 kg</b>
Maximum Weight	<b>620 kg</b>
Ratio	<b>1/40; 1/51; 1/62; 2/59; 3/47</b>
Oil capability	<b>11,5 l</b>
Power Range	<b>50 Hz → 4,2 ÷ 30 kW - 60 Hz → 4,7 ÷ 33 kW</b>



**GEARED MR21**

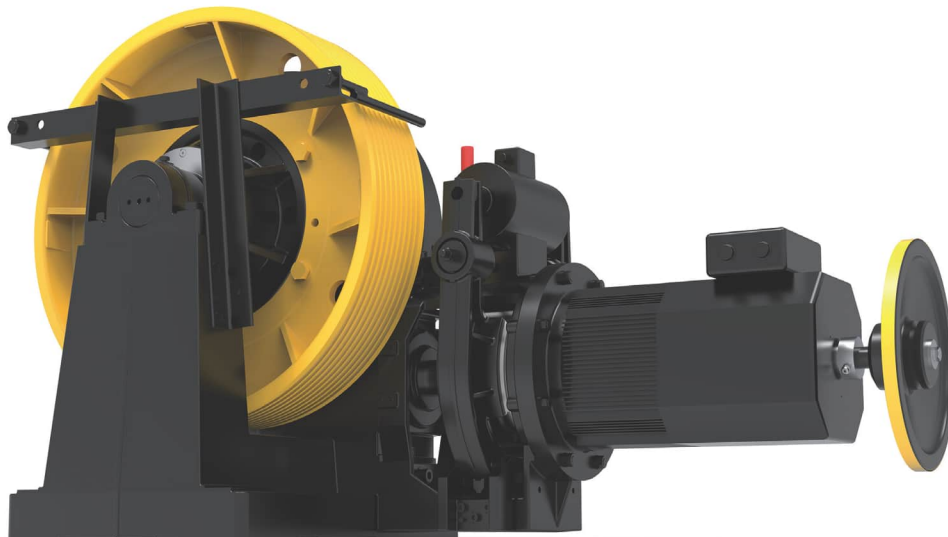


Max. Static Load	<b>55 kN - 5600 kg - (version TS → 72,6 kN - 7400 kg)</b>
Maximum Weight	<b>770 ÷ 1000 kg</b>
Ratio	<b>1/62; 1/51; 1/40; 2/63; 2/51; 3/47</b>
Oil capability	<b>7,8 l</b>
Power Range	<b>50 Hz → 7,5 ÷ 30 kW - 60 Hz → 8,2 ÷ 33 kW</b>



### GEARED MR26

Max. Static Load	<b>64,7 kN - 6600 kg - (version TS → 80,2 kN - 8175 kg)</b>
Maximum Weight	<b>1200 ÷ 1600 kg</b>
Ratio	<b>1/72; 1/57; 1/44; 2/63; 2/45; 3/55</b>
Oil capability	<b>10,8 l</b>
Power Range	<b>50 Hz → 13,5 ÷ 43 kW - 60 Hz → 15 ÷ 47 kW - 33 Hz → 11 ÷ 29 kW</b>



### GEARED MR35

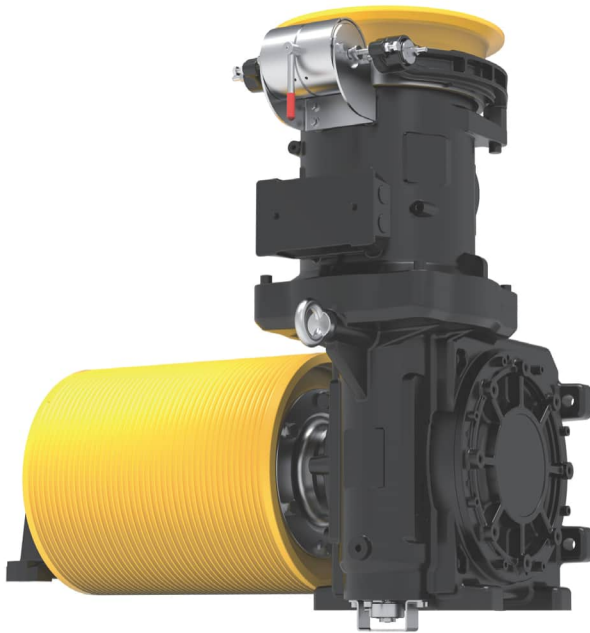
Max. Static Load	<b>139,3 kN - 14200 kg</b>
Maximum Weight	<b>1600 ÷ 1900 kg</b>
Ratio	<b>1/58; 1/53; 2/73; 2/60; 3/70; 3/53</b>
Oil capability	<b>23,5 l</b>
Power Range	<b>50 Hz → 25 ÷ 90 kW - 60 Hz → 27 ÷ 100 kW - 33 Hz → 20 ÷ 36 kW</b>



**GEARED SH140T**



Maximum Weight	<b>350 kg</b>
Ratio	<b>1/52</b>
Oil capability	<b>3,6 l</b>
Power Range	<b>50 Hz → 5,5 kW</b>



**GEARED SH160T**



Maximum Weight	<b>550 kg</b>
Ratio	<b>1/43</b>
Oil capability	<b>9 l</b>
Power Range	<b>50 Hz → 9 - 11 kW</b>

Model	Power Range [50Hz] min - max	Power Range [60Hz] min - max	Max. Static Load [kN - kg]	B	TS	LS	T
	[kW]	[kW]					
SH110B	2,7 ÷ 5,5	4 ÷ 6	20,6 - 2100	●	--	--	--
MR12C	2,7 ÷ 6,7	4 ÷ 6	25,5 - 2600	--	--	--	--
SH130	2,7 ÷ 7,5	4 ÷ 8,2	25,5 - 2600	●	--	--	--
SH130G	5,5 ÷ 7,5	6 ÷ 8,2	28,5 - 2900	●	--	--	--
SH140	2,6 ÷ 12	3 ÷ 12	32,4 - 3300	●	--	●	●
SH160	5,1 ÷ 20	5,5 ÷ 18	42,2 - 4300	●	--	●	●
SH190	4,2 ÷ 30	4,7 ÷ 33	58,9 - 6000	●	--	--	○
MR21	7,5 ÷ 30	8,2 ÷ 33	72,6 [TS] - 7400 [TS]	●	●	--	--
MR26	11 ÷ 43	11 ÷ 47	80,2 [TS] - 8175 [TS]	●	●	--	--
MR35	20 ÷ 90	22 ÷ 100	139,3 - 14200	--	●	--	--

**B** Slow shaft brake

**TS** Third support

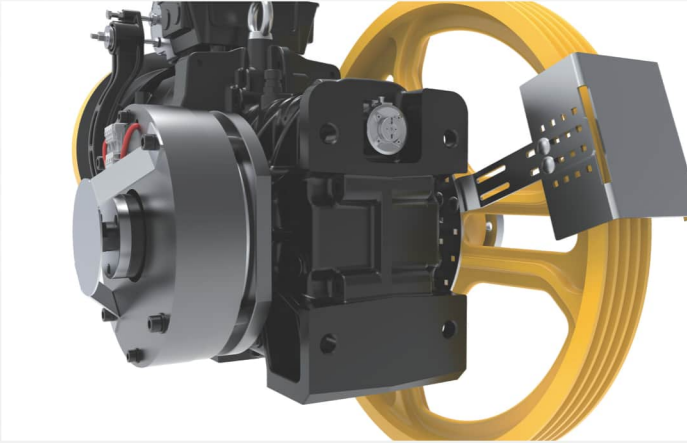
**LS** Long shaft

**T** Drum

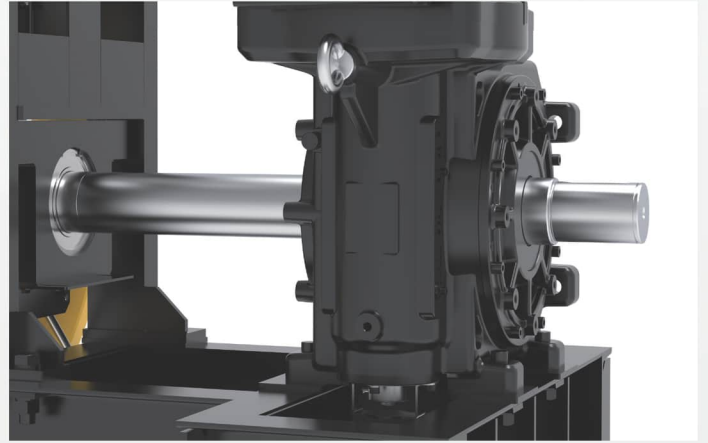
● Available

○ On request

-- Not available



(B) SSB Brake



(LS) Extended shaft



(T) Drum



# “ GEARLESS ”

## **SGS/SG** for conventional plants

Performance	p.23
SGS6 - SGS7	p.24
SGS8 - SGS9	p.25
SG10 - SG15/F	p.27
SG22/F - SG30/F	p.28
SG38/F - SG40HF	p.29
SG48/F/HF - SG53/F	p.30
SG58/F - SG62/F	p.31
SG70/F - SG75/F	p.32

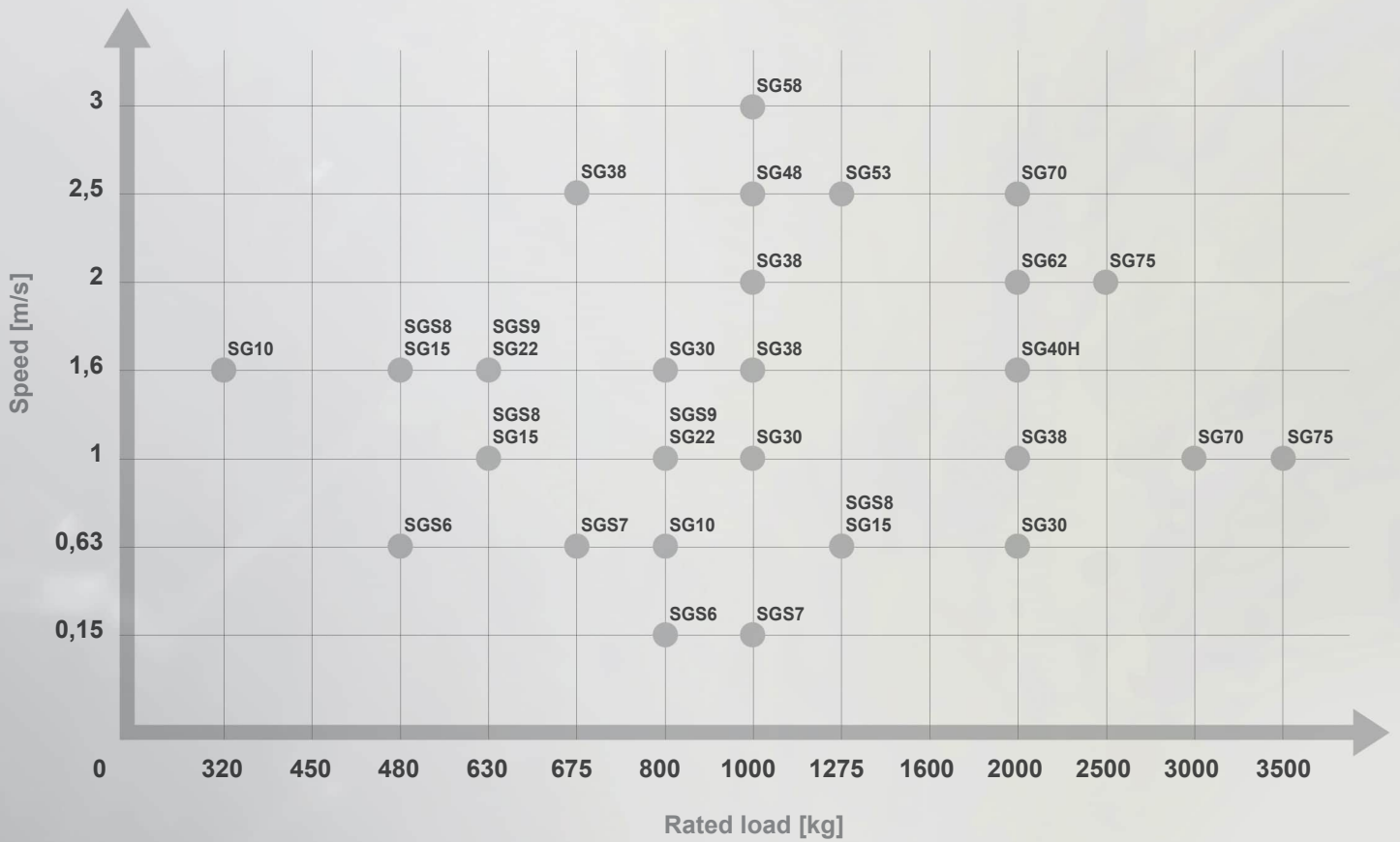
## **SW-SWS** for pu-coated ropes

Performance	p.35
SW03C - SW05	p.36
SW07 - SWS3	p.37
SWS5 - SWS7	p.38



## GEARLESS - SGS/SG

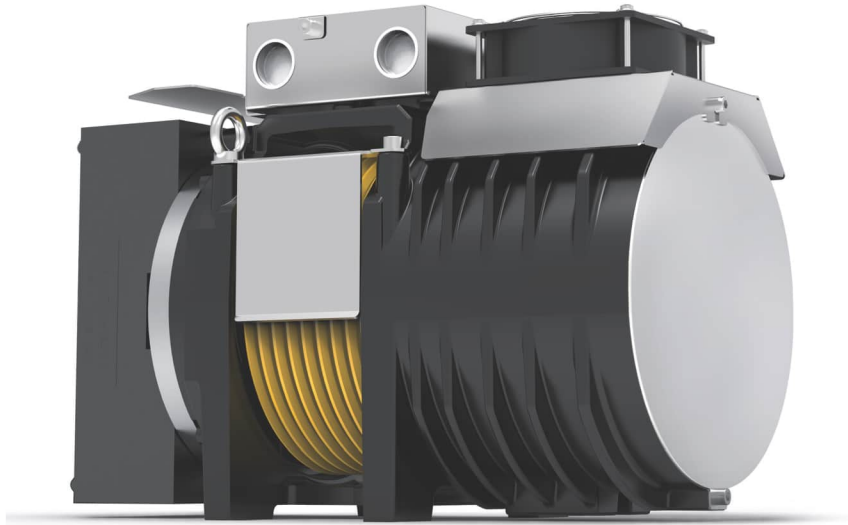
For conventional plants



The production range of Sicor gearless machines covers loads up to 3500 in roping 2:1, speeds of up to 4m/s (other speed on request) with traction sheaves from 120 to 600mm.

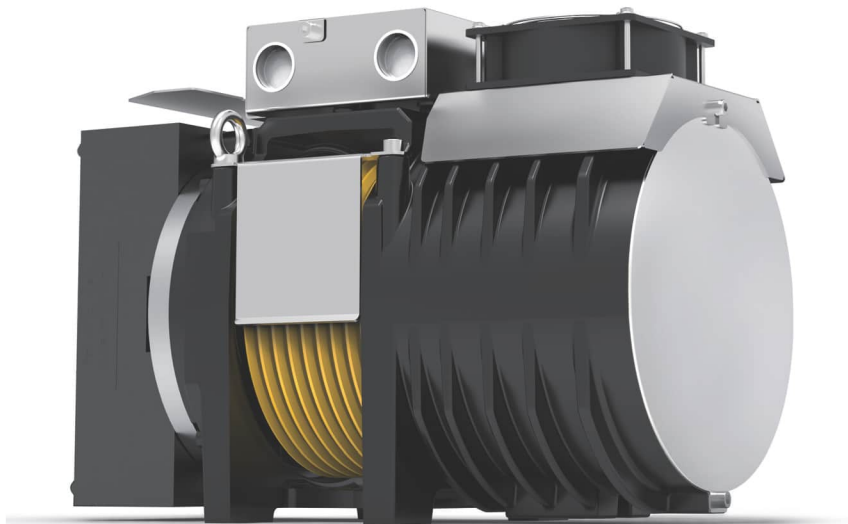
Since 2015, the gearless range has been implemented with central sheave machines to systems with cantilever arches, gauges guides and reduced headrooms.

Numerous special versions and options are available on request.



## GEARLESS SGS6

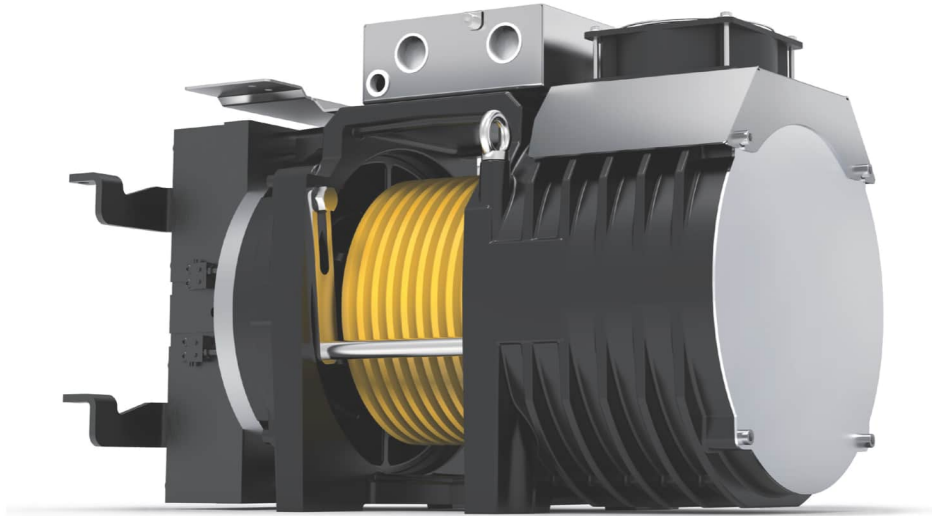
Rated Torque	<b>145 Nm (S3 40%)</b>
Braking Torque	<b>2x180 Nm</b>
Power Range (min - max)	<b>0,9 - 4,8 kW</b>
Max. Static Load	<b>19,6 kN - 2000 kg</b>
Maximum Weight	<b>100 kg</b>
Motor Rated Voltage	<b>360 V - 208 V</b>



## GEARLESS SGS7

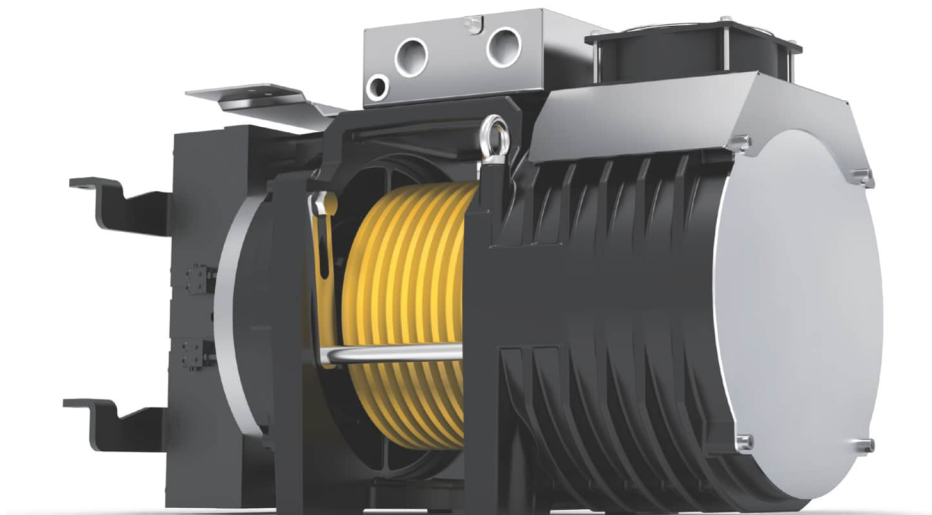
Rated Torque	<b>160 Nm (S3 40%)</b>
Braking Torque	<b>2x180 Nm</b>
Power Range (min - max)	<b>1 - 5,4 kW</b>
Max. Static Load	<b>19,6 kN - 2000 kg</b>
Maximum Weight	<b>104 kg</b>
Motor Rated Voltage	<b>360 V - 208 V</b>





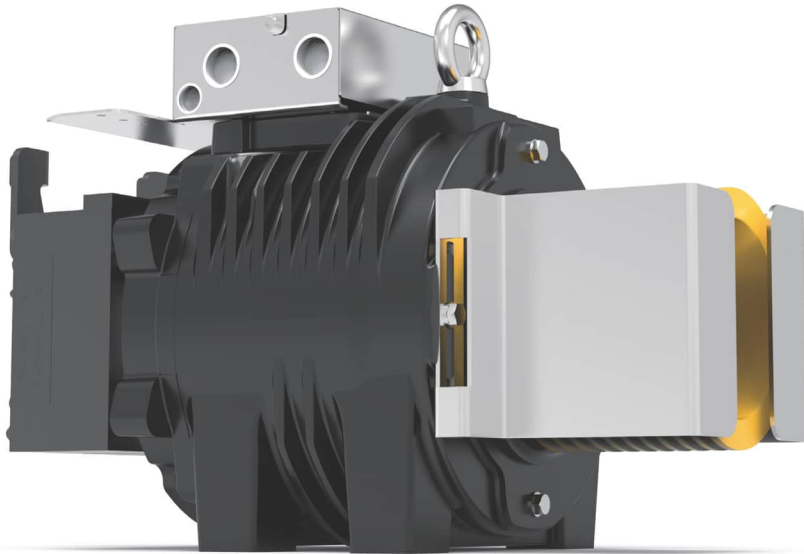
### GEARLESS SGS8

Rated Torque	<b>245 Nm (S3 40%)</b>
Braking Torque	<b>2x280 Nm</b>
Power Range (min - max)	<b>3,1 - 7,4 kW</b>
Max. Static Load	<b>29,4 kN - 3000 kg</b>
Maximum Weight	<b>138 kg</b>
Motor Rated Voltage	<b>360 V - 208 V</b>



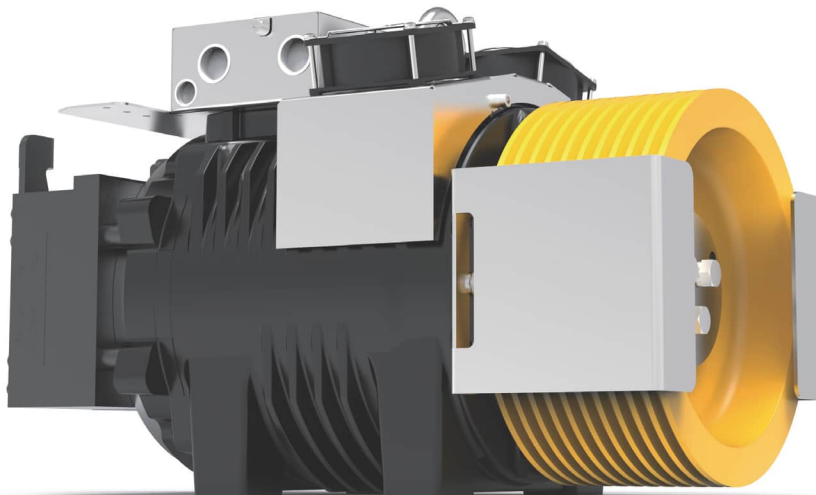
### GEARLESS SGS9

Rated Torque	<b>290 Nm (S3 40%)</b>
Braking Torque	<b>2x280 Nm</b>
Power Range (min - max)	<b>3,6 - 8,8 kW</b>
Max. Static Load	<b>29,4 kN - 3000 kg</b>
Maximum Weight	<b>142 kg</b>
Motor Rated Voltage	<b>360 V - 208 V</b>



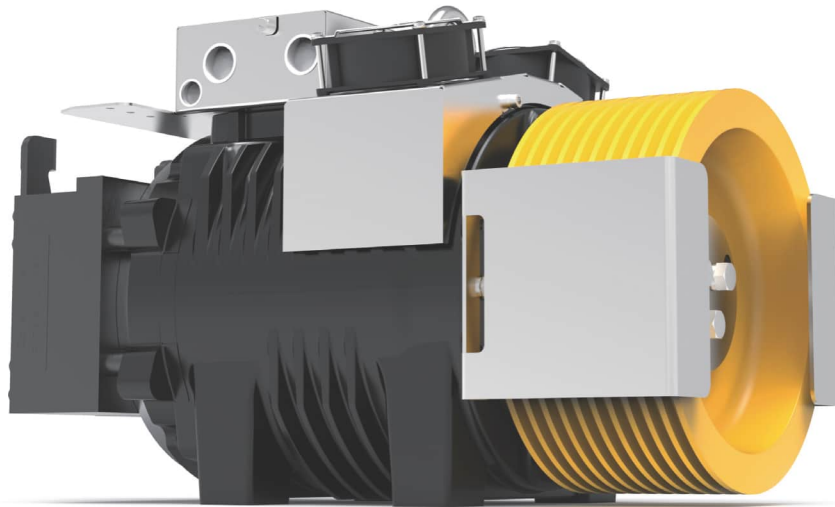
## GEARLESS SG10

Rated Torque	<b>165 Nm (S3 40%)</b>
Braking Torque	<b>2x180 Nm</b>
Power Range (min - max)	<b>2,1 - 5 kW</b>
Max. Static Load	<b>22,6 kN - 2300 kg</b>
Maximum Weight	<b>142 kg</b>
Motor Rated Voltage	<b>360 V - 208 V</b>



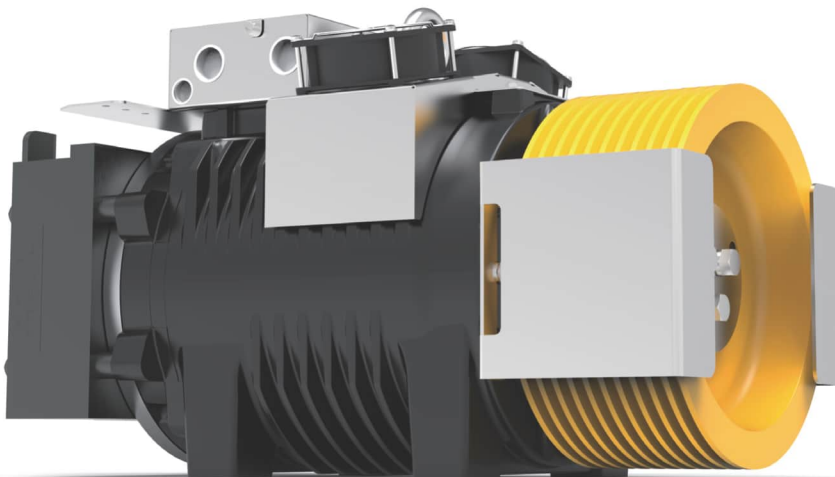
## GEARLESS SG15/F

Rated Torque	<b>245 Nm SG15F (S3 40%)</b>
Braking Torque	<b>2x280 Nm</b>
Power Range (min - max)	<b>2,5 - 7,4 kW</b>
Max. Static Load	<b>27,5 kN - 2800 kg</b>
Maximum Weight	<b>155 kg</b>
Motor Rated Voltage	<b>360 V - 208 V</b>



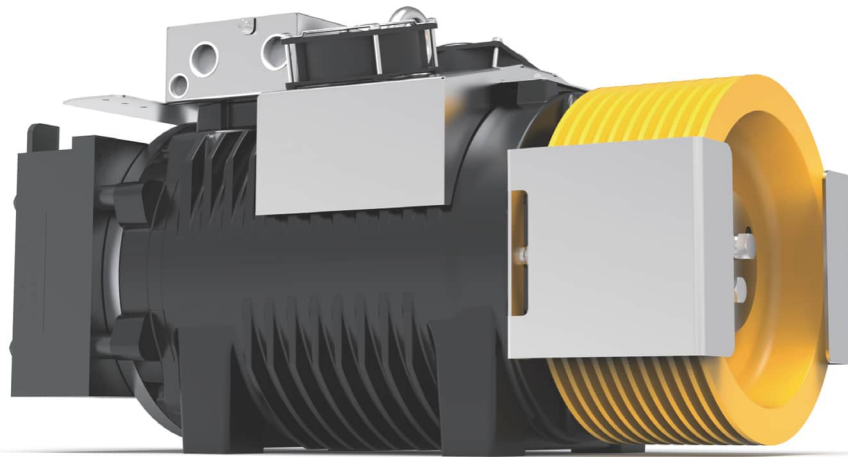
## GEARLESS SG22/F

Rated Torque	<b>290 Nm SG22F (S3 40%)</b>
Braking Torque	<b>2x280 Nm</b>
Power Range (min - max)	<b>3,1 - 8,8 kW</b>
Max. Static Load	<b>27,5 kN - 2800 kg</b>
Maximum Weight	<b>163 kg</b>
Motor Rated Voltage	<b>360 V - 208 V</b>



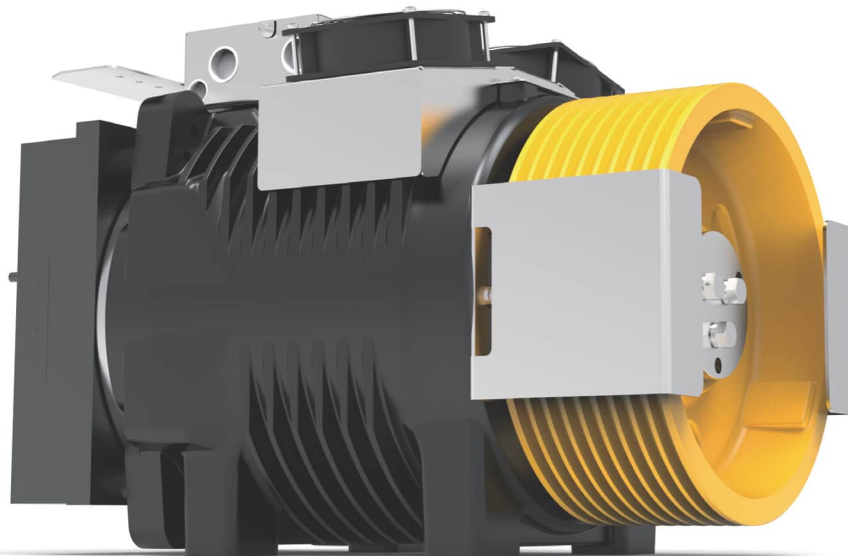
## GEARLESS SG30/F

Rated Torque	<b>395 Nm SG30F (S3 40%)</b>
Braking Torque	<b>2x410 Nm</b>
Power Range (min - max)	<b>4,1 - 13,9 kW</b>
Max. Static Load	<b>34,3 kN - 3500 kg</b>
Maximum Weight	<b>193 kg</b>
Motor Rated Voltage	<b>360 V - 208 V</b>



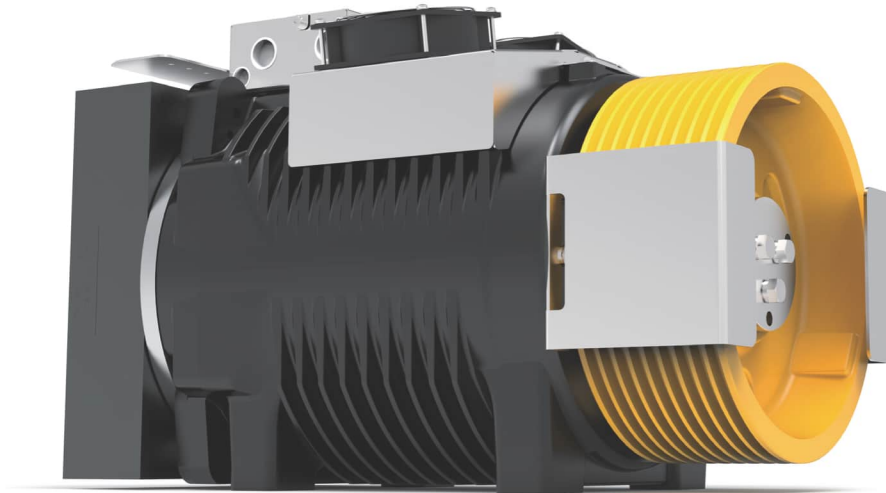
### GEARLESS SG38/F

Rated Torque	<b>490 Nm SG38F (S3 40%)</b>
Braking Torque	<b>2x410 Nm</b>
Power Range (min - max)	<b>5,2 - 19,5 kW</b>
Max. Static Load	<b>34,3 kN - 3500 kg</b>
Maximum Weight	<b>226 kg</b>
Motor Rated Voltage	<b>360 V - 208 V</b>



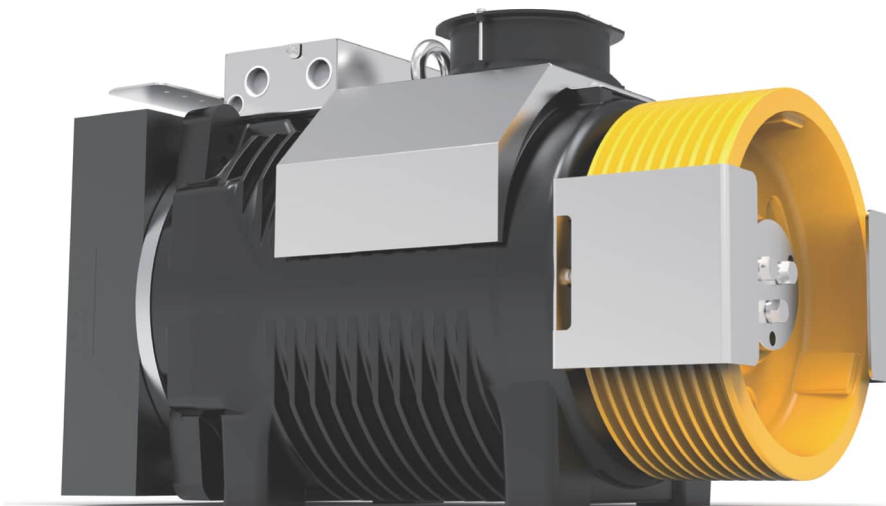
### GEARLESS SG40HF

Rated Torque	<b>550 Nm (S3 40%)</b>
Braking Torque	<b>2x600 Nm</b>
Power Range (min - max)	<b>6,1 - 21,9 kW</b>
Max. Static Load	<b>34,3 kN - 3500 kg</b>
Maximum Weight	<b>258 kg</b>
Motor Rated Voltage	<b>360 V - 208 V</b>



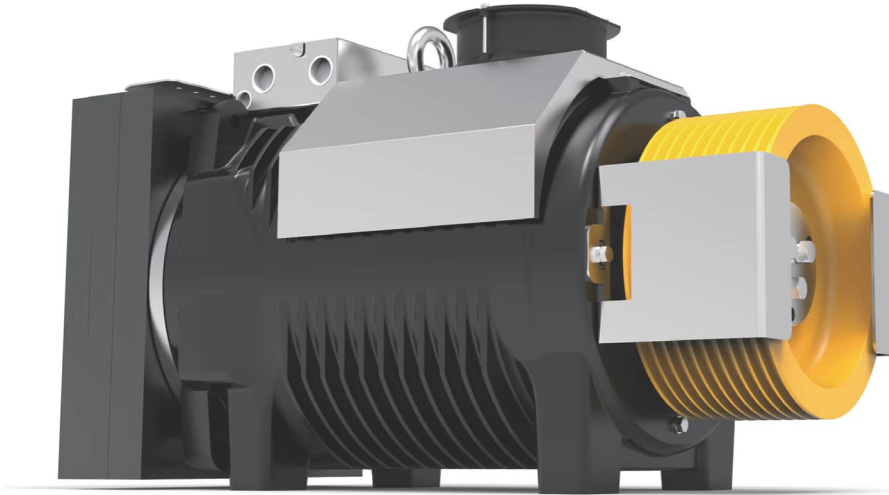
### GEARLESS SG48/F/HF

Rated Torque	<b>720 Nm SG48F (S3 40%)</b>
Braking Torque	<b>2x600 Nm (F) 2x850 Nm (HF)</b>
Power Range (min - max)	<b>4,1 - 23,4 kW</b>
Max. Static Load	<b>34,3 kN - 3500 kg</b>
Maximum Weight	<b>324 kg (F) 364 kg (HF)</b>
Motor Rated Voltage	<b>360 V - 208 V</b>



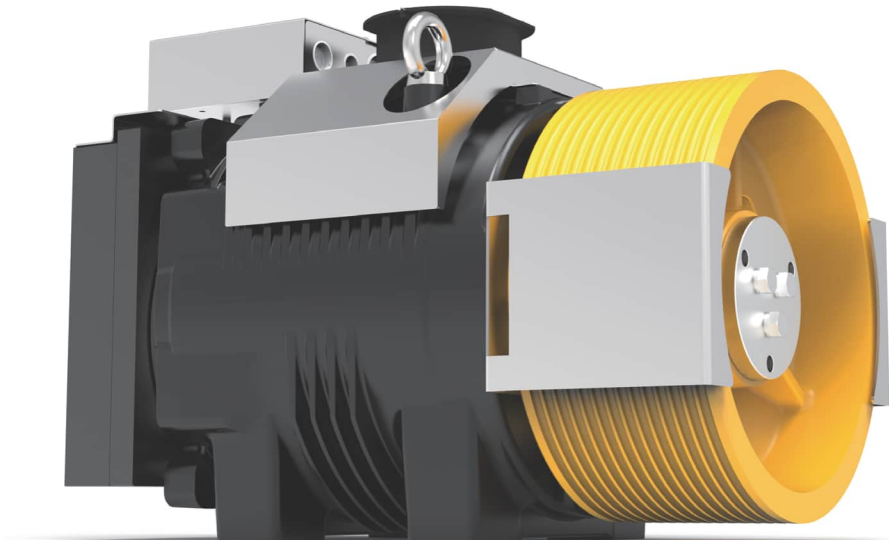
### GEARLESS SG53/F

Rated Torque	<b>900 Nm SG53F (S3 40%)</b>
Braking Torque	<b>2x850 Nm</b>
Power Range (min - max)	<b>5,1 - 29,2 kW</b>
Max. Static Load	<b>39,2 kN - 4000 kg</b>
Maximum Weight	<b>396 kg</b>
Motor Rated Voltage	<b>360 V</b>



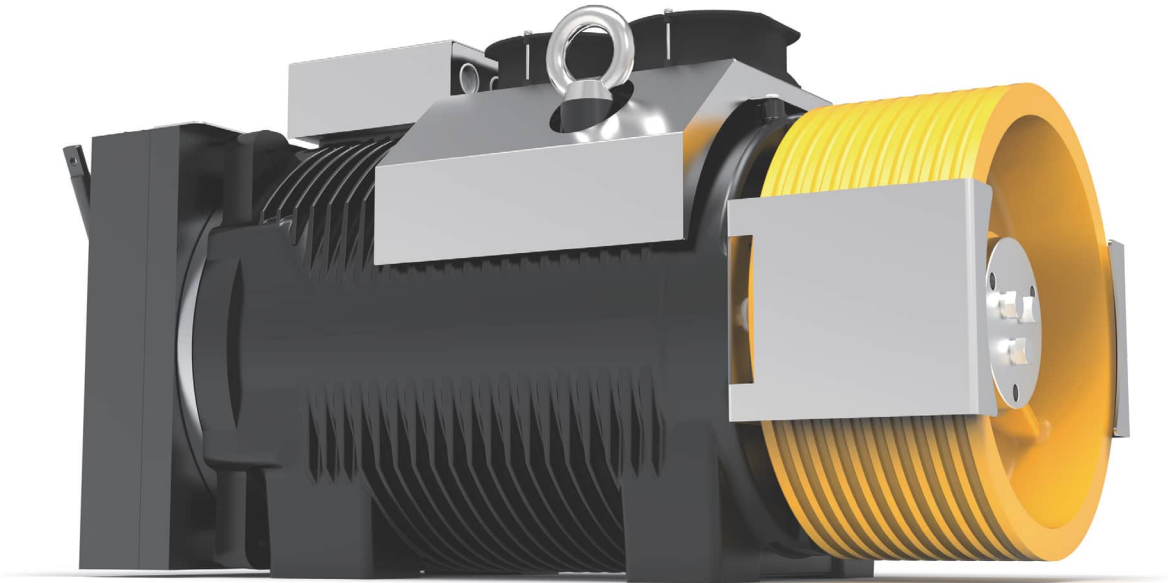
### GEARLESS SG58/F

Rated Torque	<b>1065 Nm SG58F (S3 40%)</b>
Braking Torque	<b>2x1200 Nm</b>
Power Range (min - max)	<b>6 - 34,6 kW</b>
Max. Static Load	<b>39,2 kN - 4000 kg</b>
Maximum Weight	<b>446 kg</b>
Motor Rated Voltage	<b>360 V</b>



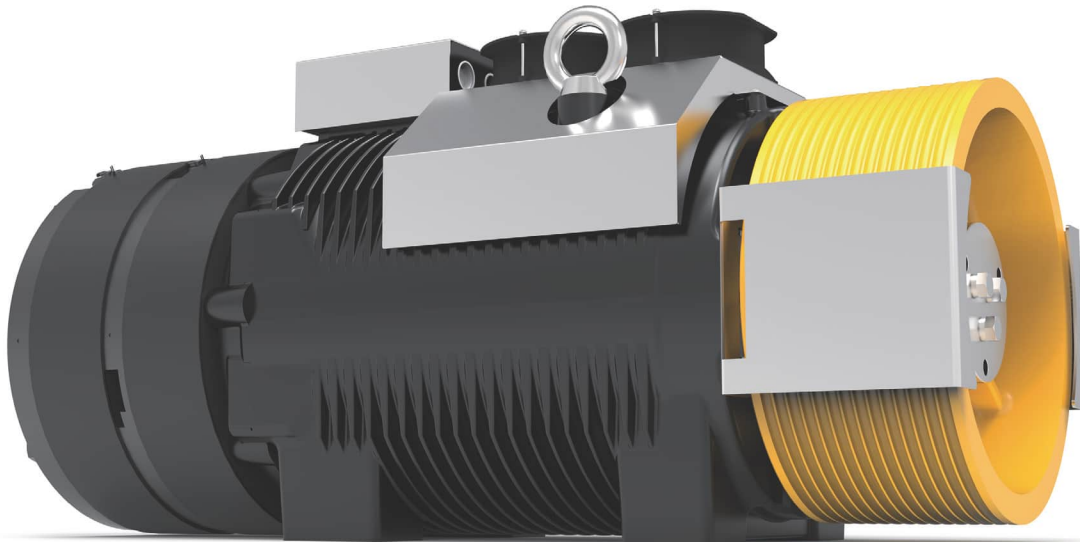
### GEARLESS SG62/F

Rated Torque	<b>1310 Nm SG62F (S3 40%)</b>
Braking Torque	<b>2x1200 Nm</b>
Power Range (min - max)	<b>5,5 - 32,9 kW</b>
Max. Static Load	<b>54 kN - 5500 kg</b>
Maximum Weight	<b>520 kg</b>
Motor Rated Voltage	<b>360 V</b>



### GEARLESS SG70/F

Rated Torque	<b>1960 Nm SG70F (S3 40%)</b>
Braking Torque	<b>2x2200 Nm</b>
Power Range (min - max)	<b>8,2 - 49,3 kW</b>
Max. Static Load	<b>58,9 kN - 6000 kg</b>
Maximum Weight	<b>713 kg</b>
Motor Rated Voltage	<b>360 V</b>

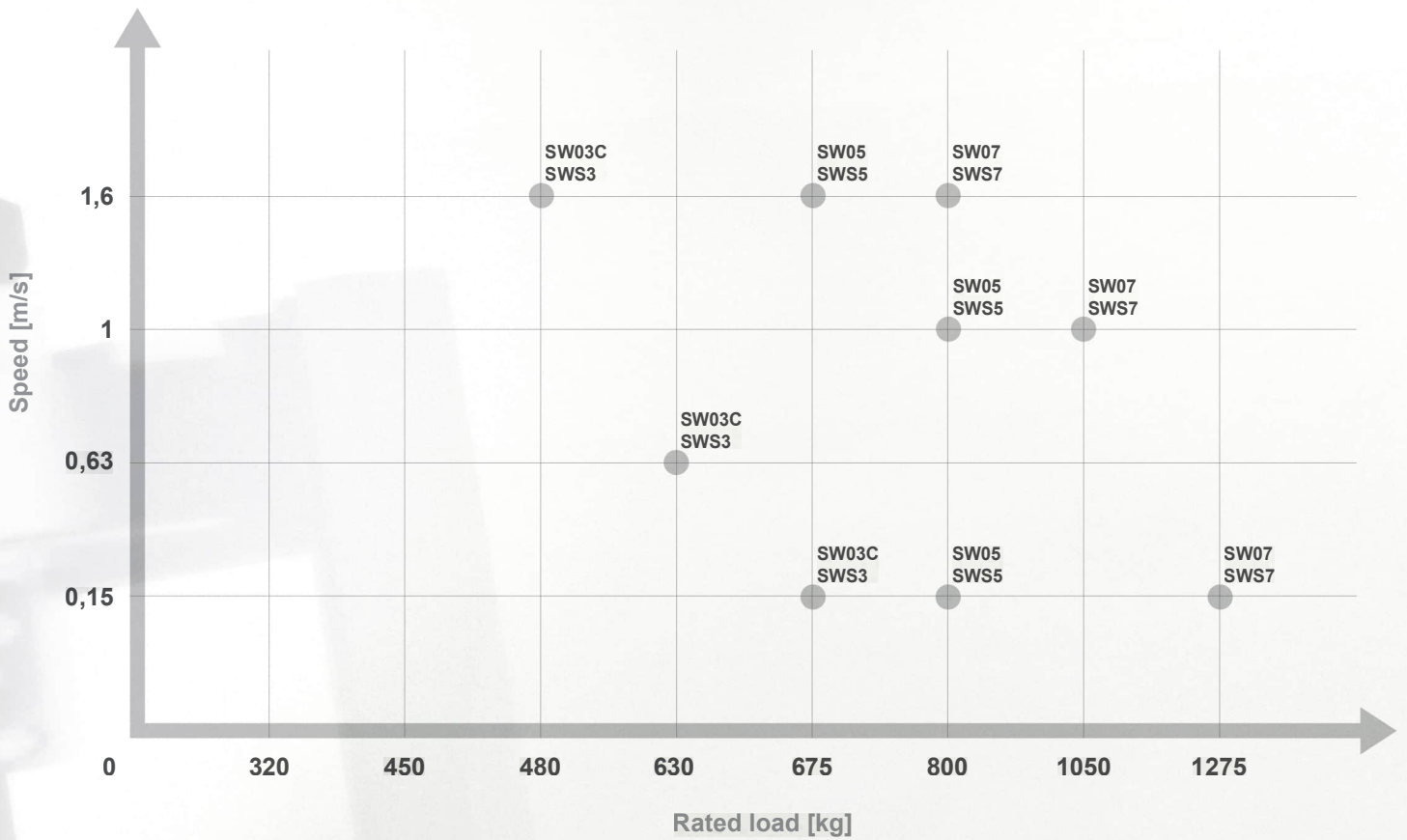


### GEARLESS SG75/F

Rated Torque	<b>2350 Nm SG75F (S3 40%)</b>
Braking Torque	<b>2x2800 Nm</b>
Power Range (min - max)	<b>9,8 - 59,1 kW</b>
Max. Static Load	<b>78,5 kN - 8000 kg</b>
Maximum Weight	<b>888 kg</b>
Motor Rated Voltage	<b>360 V</b>

## GEARLESS - SW-SWS

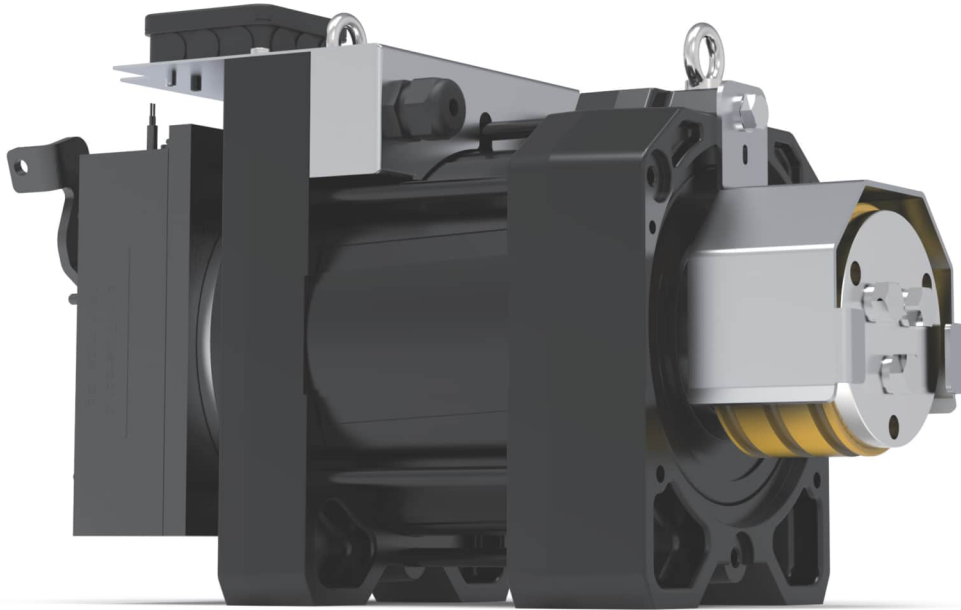
For pu-coated ropes



Sicor gearless series covers payloads up to 4000kg in 2:1 roping, speed up to 4m/s (other speeds upon request) with traction sheaves diameter from 120 to 600mm. Since 2015 the gearless series has been extended with machines with central traction sheave designed for cantilever cars, narrow gauge and small headroom.

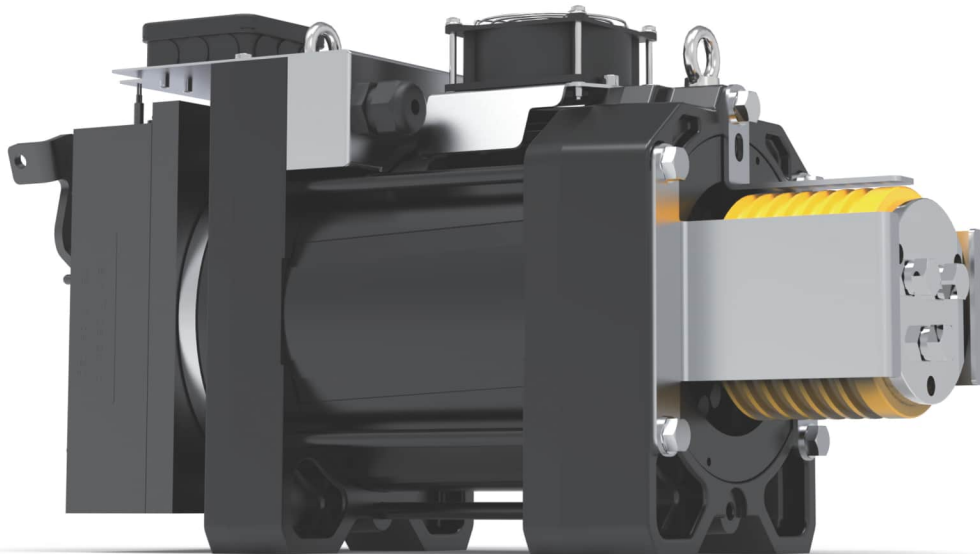
Several special executions and options are available on request.





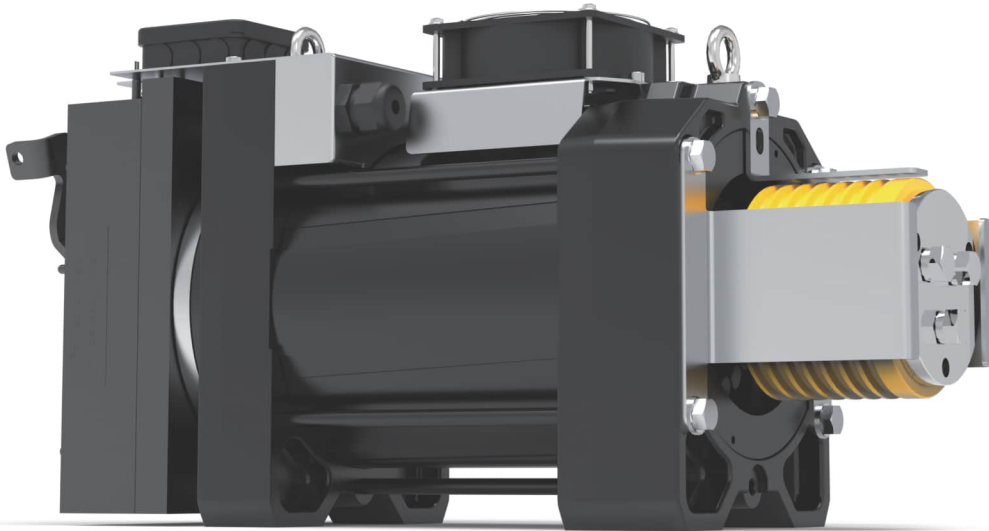
### GEARLESS SW03C

Rated Torque	<b>120 Nm (S3 40%)</b>
Braking Torque	<b>2x125 Nm</b>
Power Range (min - max)	<b>0,8 - 6,4 kW</b>
Max. Static Load	<b>19,6 kN - 2000 kg</b>
Maximum Weight	<b>113 kg</b>
Motor Rated Voltage	<b>360 V - 208 V</b>



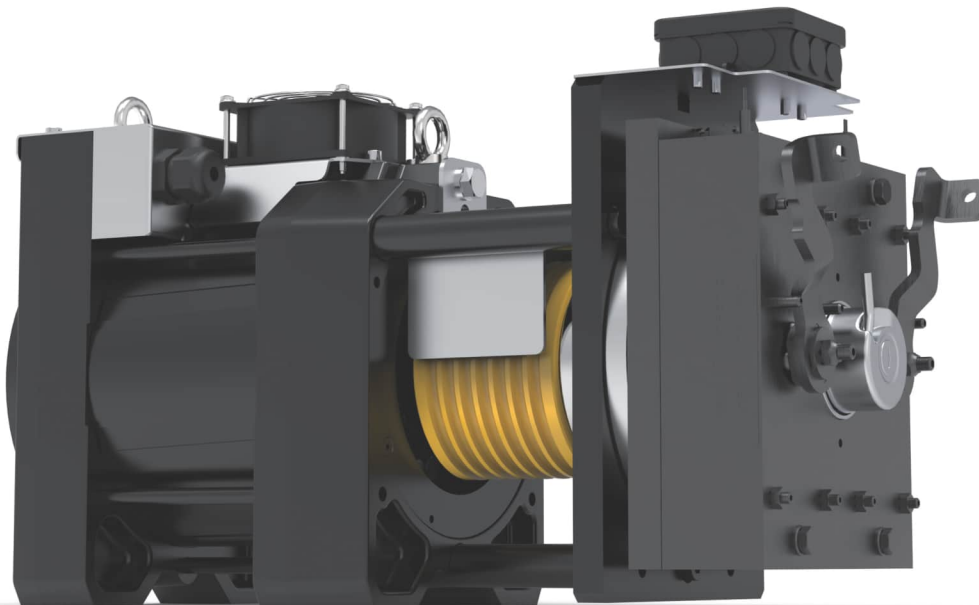
### GEARLESS SW05

Rated Torque	<b>160 Nm (S3 40%)</b>
Braking Torque	<b>2x180 Nm</b>
Power Range (min - max)	<b>1,0 - 8,5 kW</b>
Max. Static Load	<b>29,4 kN - 3000 kg</b>
Maximum Weight	<b>129 kg</b>
Motor Rated Voltage	<b>360 V - 208 V</b>



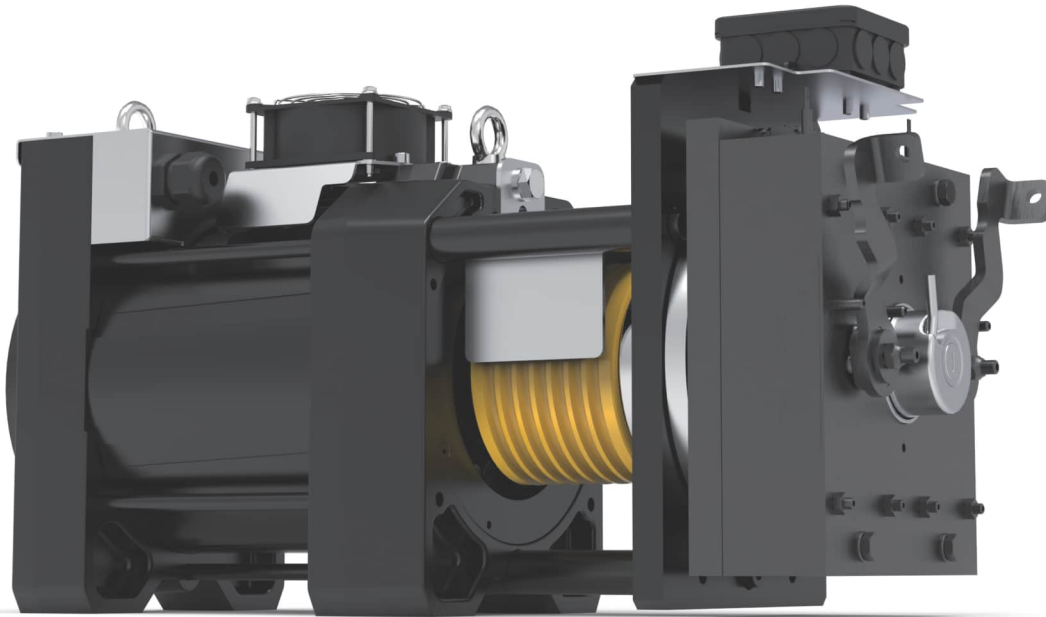
## GEARLESS SW07

Rated Torque	<b>200 Nm (S3 40%)</b>
Braking Torque	<b>2x220 Nm</b>
Power Range (min - max)	<b>1,3 - 10,7 kW</b>
Max. Static Load	<b>29,4 kN - 3000 kg</b>
Maximum Weight	<b>143 kg</b>
Motor Rated Voltage	<b>360 V - 208 V</b>



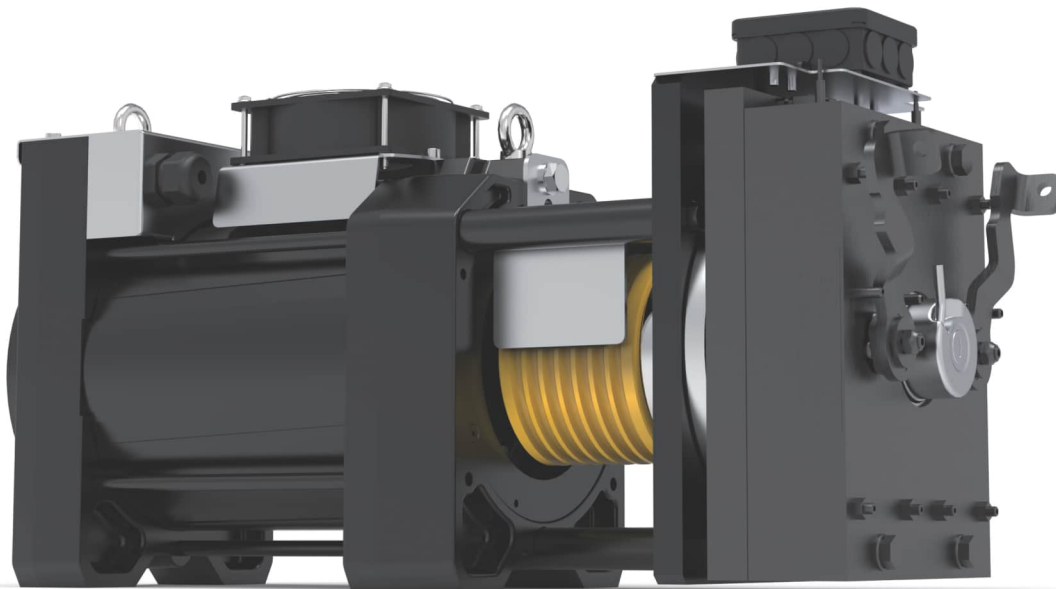
## GEARLESS SWS3

Rated Torque	<b>120 Nm (S3 40%)</b>
Braking Torque	<b>2x180 Nm</b>
Power Range (min - max)	<b>0,8 - 6,4 kW</b>
Max. Static Load	<b>23,5 kN - 2400 kg</b>
Maximum Weight	<b>119 kg</b>
Motor Rated Voltage	<b>360 V - 208 V</b>



## GEARLESS SWS5

Rated Torque	<b>160 Nm (S3 40%)</b>
Braking Torque	<b>2x180 Nm</b>
Power Range (min - max)	<b>1,0 - 8,5 kW</b>
Max. Static Load	<b>29,4 kN - 3000 kg</b>
Maximum Weight	<b>127 kg</b>
Motor Rated Voltage	<b>360 V - 208 V</b>



## GEARLESS SWS7

Rated Torque	<b>200 Nm (S3 40%)</b>
Braking Torque	<b>2x220 Nm</b>
Power Range (min - max)	<b>1,3 - 10,7 kW</b>
Max. Static Load	<b>29,4 kN - 3000 kg</b>
Maximum Weight	<b>141 kg</b>
Motor Rated Voltage	<b>360 V - 208 V</b>



**PEW Electrical  
Distributors Ltd.**

[www.pewelectrical.com](http://www.pewelectrical.com)



**Sicor S.R.L.**

Viale Caproni, 32 Rovereto (TN) - Italy • Tel: +39 0464 484 111 • [info@sicoritaly.com](mailto:info@sicoritaly.com)

[www.sicoritaly.com](http://www.sicoritaly.com)

Products' specifications included in this brochure are subject to change by Sicor Srl without notice.