



PEW Electrical Distributors

TFT Displays



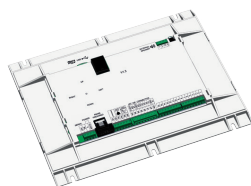
IRIS EXCELLENCE

Media line, high resolution car indicator



MAIN FEATURES

- Customisable background, arrows, floors, logo and signalling
- Voice synthesiser integrated
- High resolution Images management
- High performance for Music and Audio
- High performance for Video
- Analogue and digital clock
- Serial and parallel interface
- USB HOST Connectivity
- Updating by microSD-CARD
- Connectivity LAN (ETHERNET)
- Video OUT-HDMI
- Colours: 16.8 M
- Temperature range: -20/+70°C
- Software updating is available via USB port on a button in the car



IRIS EXCELLENCE 7"



Resolution: 800x480 pixel
 Visible area: 154.1 x 86 mm
 Power supply: 12±24 V DC ±10%
 Encumbrance: 178x166x23 mm

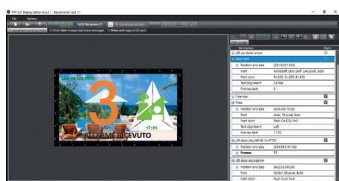
IRIS EXCELLENCE 10"



Resolution: 1024x600 pixel
 Visible area: 222.72 x 125.28 mm
 Power supply: 12±24 V DC ±10%
 Encumbrance: 250x190x21,5 mm

SIRIO SOFTWARE

- Intuitive dedicated programming software
- Easily customise your TFT layout
- Inbuilt fonts and arrow design options
- Change display orientation
- Export to microSD Card for display update

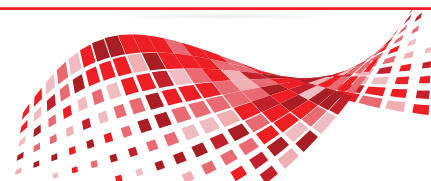


PEW Electrical Distributors Ltd

Unit 1 The iO Centre
59-71 River Road
Barking, Essex IG11 0DR

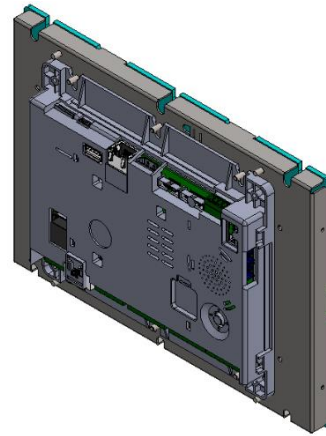
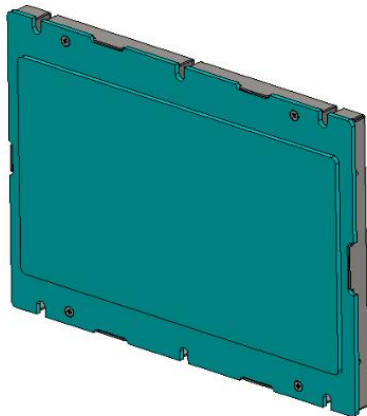
0208 507 1001

sales@pewelectrical.com
www.pewelectrical.com

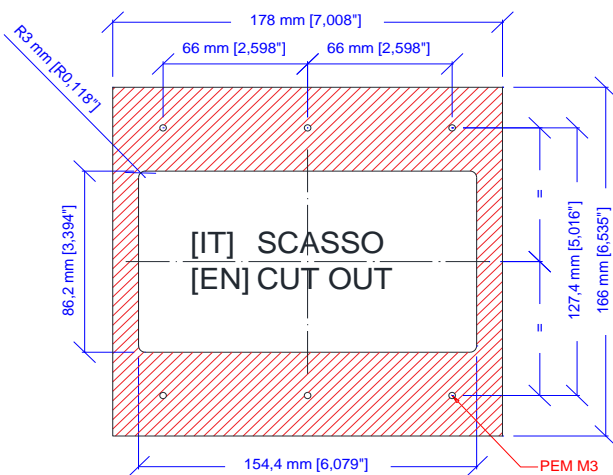


TFT Display

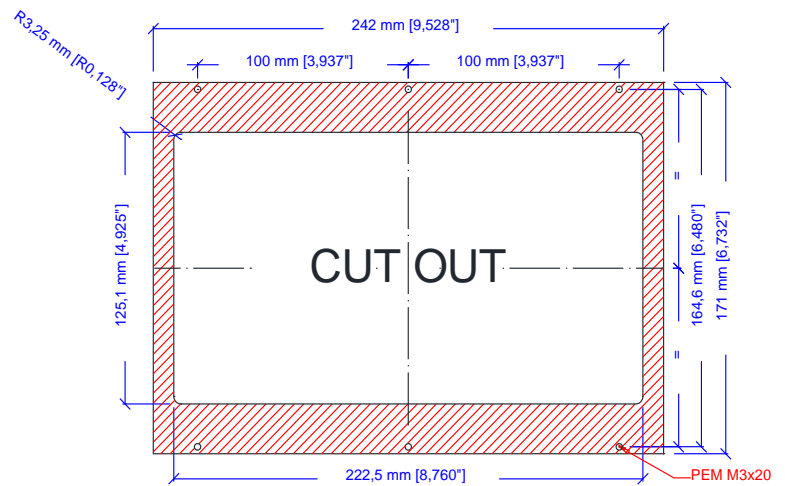
DIMENSIONS



IRIS 7.0" EXCELLENCE



IRIS 10.1" EXCELLENCE



INTERFACES

SNV201:ENC

- RS485 serial encoder board (4-wire) to car & landings
- Binary or Gray inputs
- Maximum 32 stops
- Default or configurable service message inputs
- Configure set-up onboard via buttons
- Inbuilt Speech with speaker included (1W or 5W)
- Update speech using .wav files to MicroSD Card

1 PER FLOOR

- Direct input to display
- Maximum 10 stops

PARALLEL INPUT

- Common Positive (Anode)
- Common Negative (Cathode)

