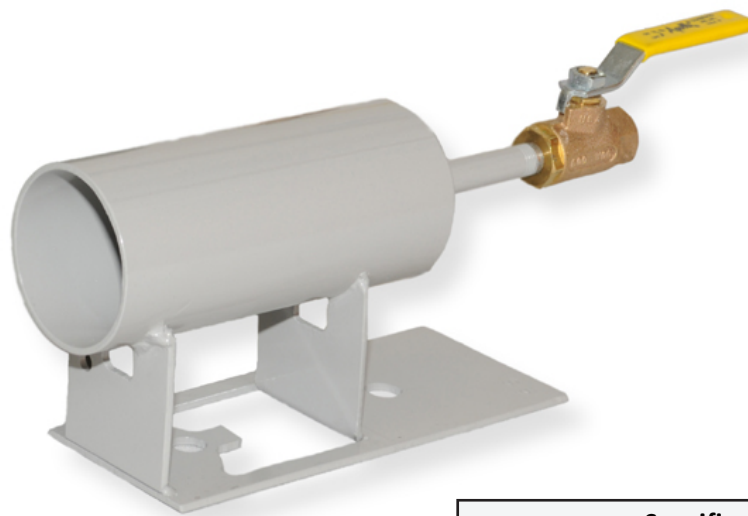


Our FV series, vapor burners are used for general purpose heating applications where the system is constantly monitored for proper operation. With solid bases, permanently mounted, these burners are built solid and are economically priced.

***NOTE - These burners are also available in a stainless steel version. Simply add "-SS" to the end of the part number (ex: FV-40-SS = Standard FV-40 burner with stainless steel sleeve, for high temp operation).**



- Easy Installation
- Fully Welded Construction
- Every Unit is Function Tested
- Shipped with HD Brass Valve
- Pre-Set Air Intake
- Mounting Hole in Base

Specifications	
BTU Rating	200,000 @ 25 psi
Fuel	Vapor L.P. Gas (Propane)
Fuel Connection	9/16"-18 LH (Ball Seat)
Sleeve Diameter	2-7/8"
Material	1/4" Mild Steel
Length	12"
Height	5-1/4"
Base	3-1/2" x 8"
Weight	4 lbs.
Color	Grey

visit us online: www.burnersinc.com

GUARANTEE

All equipment is guaranteed to be free from defect in either material or workmanship. All equipment is guaranteed to the extent of operating specifications of the equipment. No claim will be allowed for subsequent damage caused by improper installation, improper use (misuse), neglect, or improper fuel and/or electrical supply (if applicable)

While this information is presented in good faith and believed to be accurate - Burners, Inc. does not guarantee satisfactory results from reliance upon such information. Nothing contained within this document is to be construed as a warranty or guarantee, expressed or implied, regarding the performance, merchantability, fitness or any other matter with respect to this product, nor as a recommendation to use this product in a specific application. Burners, Inc. reserves the right, without notice, to alter, or improve the designs or specifications of the product, described herein.