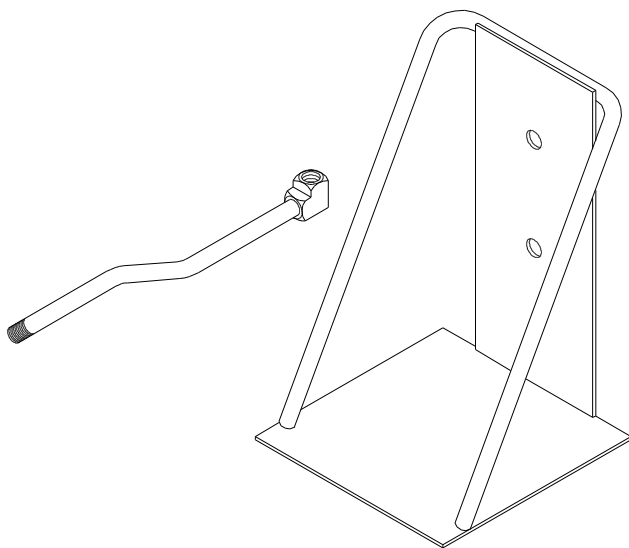


The Burners, Inc. vertical base adaptor allows your FL* or FV series burner to fire in an upward direction. This is especially useful when using the burner to heat elevated cooking pots, stock tanks, or process applications. Fully welded construction gives this base adaptor the strength needed for industrial applications

NOTE - The Vertical Base Adaptor is not intended for use with the FL-6-M series burners, TK series burners, or CV series burners.



Specifications	
Fit burner series	"FL" & "FV" series*
Material	Mild Steel
Height	12"
Width	8"
Base	8" square
Weight	3 lbs
Color	Blue

* Not for use with FL-6-M series, TK series, or CV series

- **Fits most FL & FV burners**
- **Fully welded construction**
- **Heavy-Duty Design**
- **Includes adaptor pipe (1/4")**
- **Burner mounting hardware**

visit us online: www.burnersinc.com

GUARANTEE

All equipment is guaranteed to be free from defect in either material or workmanship. All equipment is guaranteed to the extent of operating specifications of the equipment. No claim will be allowed for subsequent damage caused by improper installation, improper use (misuse), neglect, or improper fuel and/or electrical supply (if applicable)

While this information is presented in good faith and believed to be accurate - Burners, Inc. does not guarantee satisfactory results from reliance upon such information. Nothing contained within this document is to be construed as a warranty or guarantee, expressed or implied, regarding the performance, merchantability, fitness or any other matter with respect to this product, nor as a recommendation to use this product in a specific application. Burners, Inc. reserves the right, without notice, to alter, or improve the designs or specifications of the product, described herein.