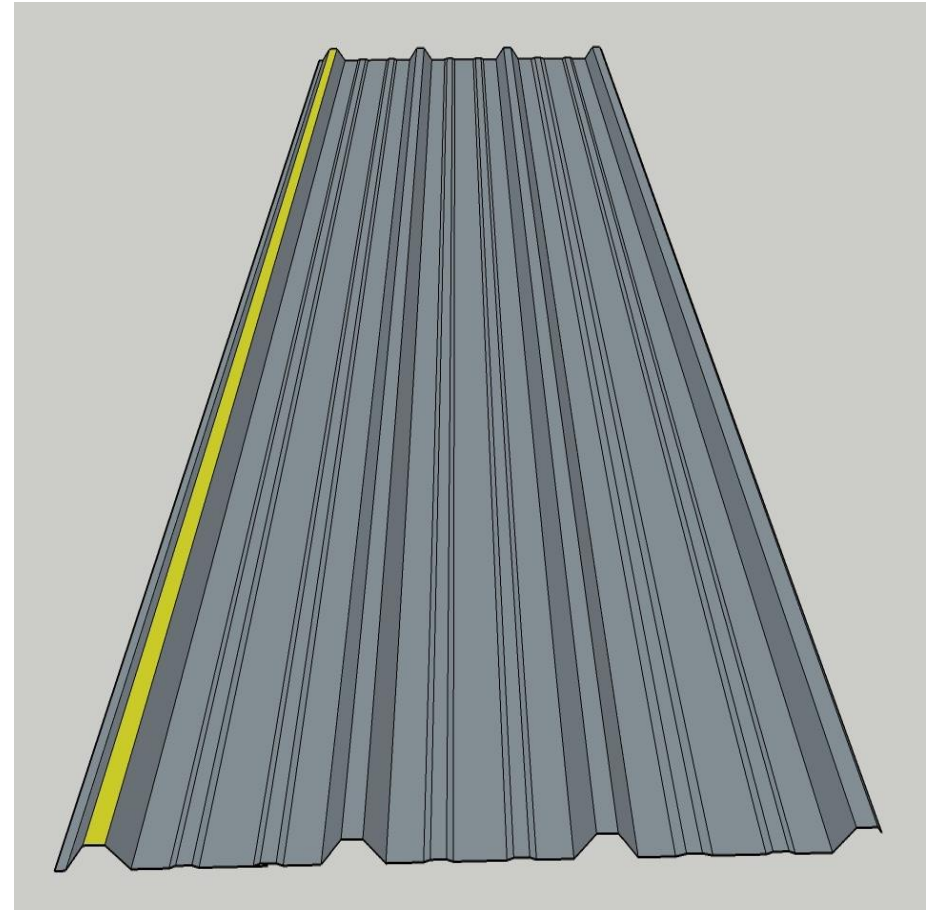
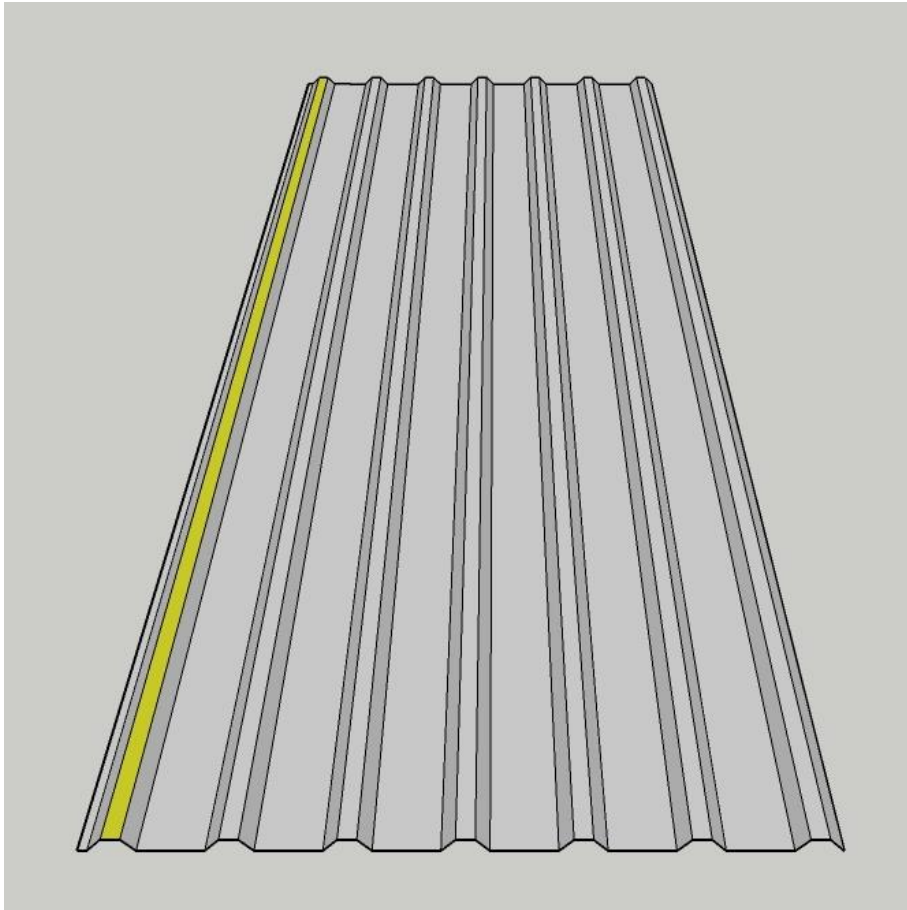


Tacky Tape Placement for PB-U and PB-R Panels



Place Tacky Tape on the rib with the purlin-bearing leg before overlapping the next panel.