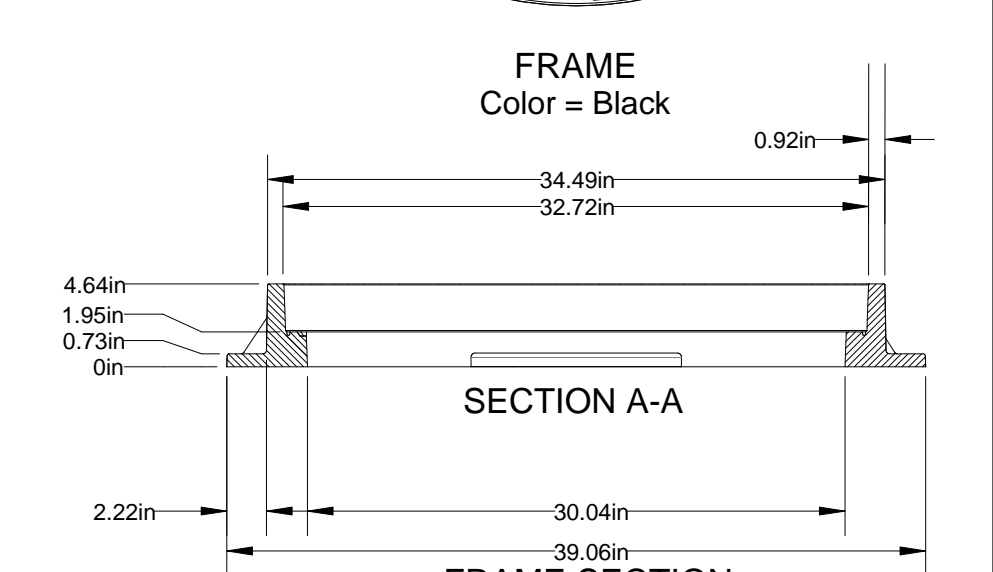
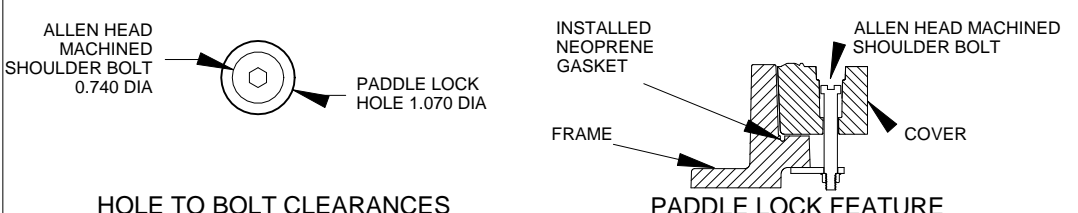


COVER SIDE



SECTION A-A

FRAME SECTION



HOLE TO BOLT CLEARANCES

PADDLE LOCK FEATURE

1. Only 316 Stainless steel metal used for attached hardware
2. Detectable by standard metal detectors.
3. Compression Molded Thermoset Composite - no metal reinforcement
4. Watertight (0.00 GPM) in assembly with 4 bolt locking option



COMPOSITE ACCESS PRODUCTS L.P. "JUST CAP THAT"
 5216 N. 26TH STREET
 MCALLEN, TX 78504
 WEBSITE: www.justcapthat.com
 (844) 344-CAP1 (2271)

Product Code A-1BK30P1-C01DMDSS-H1	2019-10-23
APPROVED BY: _____	
DATE: _____	