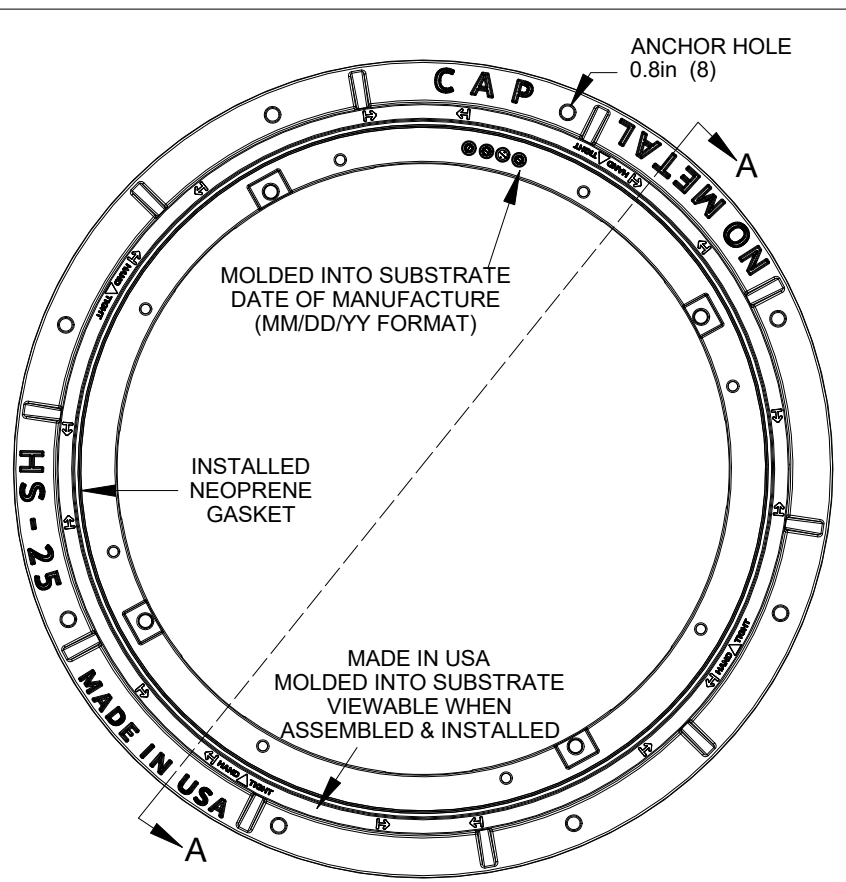
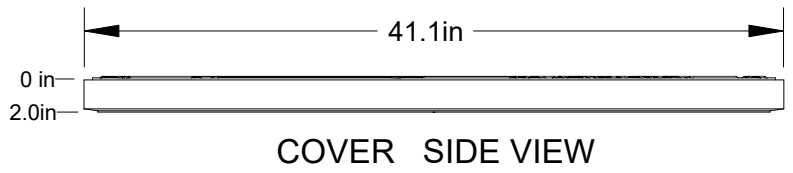
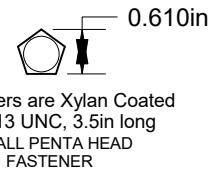
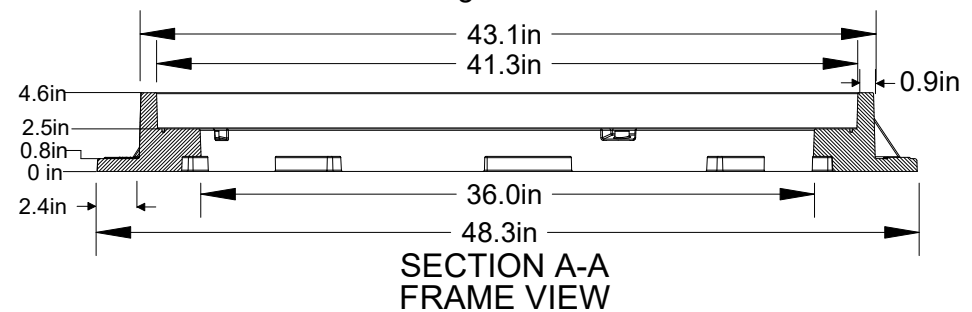


**COVER**  
 Color = Black  
 Weight = 170lb



**FRAME**  
 Color = Black  
 Weight = 106lb



1. All hardware is 316 Stainless Steel.
2. Detectable by standard metal detectors.
3. RTM and Compression Molded Thermoset Composite - no metal reinforcement
4. PASSED M306 H25 PROOF LOAD
5. Watertight (0.0 GPM)
6. All actual Weights and Dimensions are ±5% of drawing



COMPOSITE ACCESS PRODUCTS L.P. "JUST CAP THAT"  
 5216 N. 26TH STREET  
 MCALLEN, TX 78504  
 WEBSITE: [www.justcapthat.com](http://www.justcapthat.com)  
 (844) 344-CAP1 (2271)

**MODEL # CAP ONE**

Product Code **A-1BK36N4-CO1DMDSS-H2**

2023-02-03

APPROVED BY: \_\_\_\_\_  
 DATE: \_\_\_\_\_