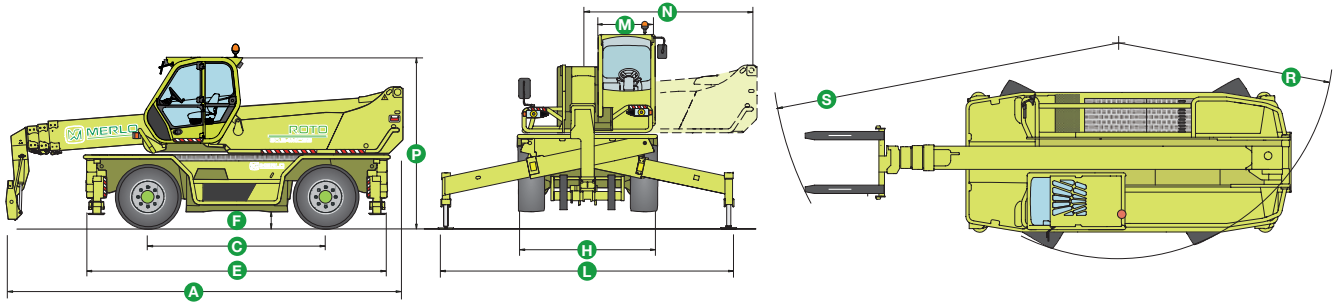


ROTO 60.24 MCSS

TECHNICAL DATA

ROTO 60.24 MCSS



- **Maximum load capacity 6000 kg**
- **Maximum lift height 23.9 metres**
- **Continuous turret rotation** achieved through a Merlo electro-hydraulic central rotary coupling
- **The cab can be tilted by up to 18 degrees** to offer an unequalled view at maximum height
- Cab steel frame complying with the international **ISO 3449 Level II FOPS** (Falling Object Protective Structure) standard
- **Pneumatic suspension seat**
- **Electronic joystick controls**
- **Steering wheel tilt** adjustable by up to 16 degrees
- **Merlin system** (Merlo Local Interactive Network) providing a completely new way to automatically manage all the operating parameters and safety functions
- **MCSS system** (Merlin Continuous Slew Safety) adjusting automatically the load diagram to suit the stabiliser position chosen by the operator
- **Stabilizers** with independent extension and jacking
- **Hydropneumatic suspension** ensuring maximum driving comfort and stability when operating on tyres, by levelling the machine
- **Iveco turbo intercooler 6 cylinder engine, delivering 129 kW (175 HP)**
- **Hydrostatic transmission** utilising variable displacement motor and pump
- **Load-sensing hydraulic pump**
- **Maximum speed 40 kph**

| DIMENSIONS | 60.24 MCSS |
|------------|--------------------|
| A (mm) | 7430 |
| C (mm) | 3200 |
| E (mm) | 5540 |
| F (mm) | 380 ⁽¹⁾ |
| H (mm) | 2490 |
| L (mm) | 5275 |
| M (mm) | 995 |
| N (mm) | 3000 |
| P (mm) | 3100 |
| R (mm) | 4450 |
| S (mm) | 6500 |

| CHARACTERISTICS AND PERFORMANCE | 60.24 MCSS |
|---|------------------|
| Total weight unladen, with forks (kg) | 18750 |
| Maximum load capacity (kg) | 6000 |
| Maximum lift height (m) | 23.9 |
| Maximum forward reach (m) | 20.8 |
| Lift height at maximum load capacity (m) | 12 |
| Forward reach at maximum load capacity (m) | 7 |
| Load capacity at maximum height (kg) | 3000 |
| Load capacity at maximum forward reach (kg) | 850 |
| Turret rotation (degrees) | Continuous |
| Engine (make/cylinder) | Iveco/6 |
| Tier 3 engine power (kW/HP) | 129/175 |
| Fuel capacity (l) | 150 |
| Speed in the 1 st gear (kph) | 16 |
| Speed in the 2 nd gear (kph) | 40 |
| Load-Sensing hydraulic system (bar-l/min) | 240-124 |
| Hydraulic oil capacity (l) | 160 |
| Electrical circuit (V) | 12 |
| Battery (Ah) | 160 |
| Hydraulically controlled stabilizers | ● ⁽²⁾ |
| Hydropneumatic suspension | ● |
| Cab compliant with FOPS standards | ● |
| Tilting cab | ● |
| Merlin electronic control system | ● |
| Electro-mechanical joystick controls | - |
| Electronic joystick controls | ● |
| Tac-Lock attachment coupling | ● ⁽³⁾ |
| Auxiliary boom hydraulic service | ● |
| Two floating forks (1,200 mm long) | ● |
| Hydrostatic transmission | ● |
| Hydrostatic oil capacity (l) | 12 |
| Finger-Touch direction reversing control | ● |
| Permanent four-wheel drive | ● |
| Four wheel steering | ● |
| Service disk brakes on all wheels | ● |
| Automatically locking parking brake | ● |
| Tyres | 445/65-22.5 |
| Radio remote control | ○ |
| Pneumatic seat | ● |
| Rear differential lock | ○ |
| Four cab working lights (2 f. + 2 r.) | ○ |
| Manual air conditioning system | ○ |
| Roof window wiper | ○ |
| Manual battery isolator | ○ |
| Front and roof sun shade | ○ |

● Standard. ○ Optional.

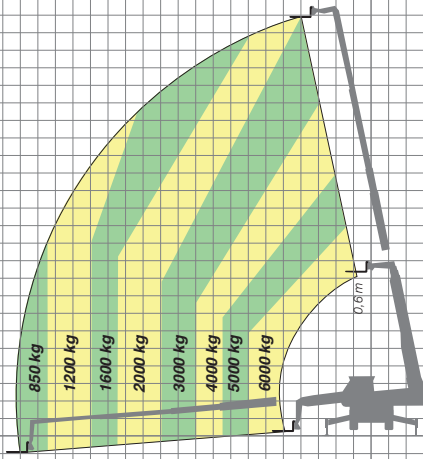
Performance figures refer to the machine equipped with forks, operating on stabilizers.

(1) Measured at suspension mid-point (± 65 mm);

(2) Stabilising and levelling can be performed automatically; (3) ZM3 version front tool holder.

**ROTO-60-24 MCSS
FORKS ON STABILIZERS
THROUGH 360°**

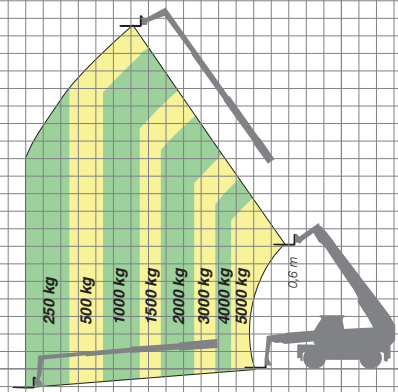
22 21 20 19 18 17 16 15 14 13 12 11 10 9 8 7 6 5 4 3 2 1 0



24
23
22
21
20
19
18
17
16
15
14
13
12
11
10
9
8
7
6
5
4
3
2
1
0
-1

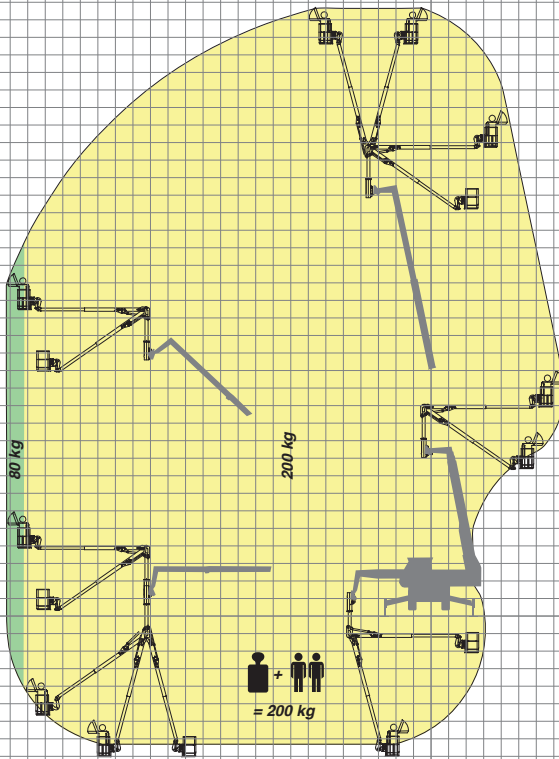
**ROTO-60-24 MCSS
FORKS ON TYRES - FRONT**

18 17 16 15 14 13 12 11 10 9 8 7 6 5 4 3 2 1 0



**ROTO-60-24 MCSS
SPACE SYSTEM THROUGH 360°**

25 24 23 22 21 20 19 18 17 16 15 14 13 12 11 10 9 8 7 6 5 4 3 2 1 0



38
37
36
35
34
33
31
30
29
28
27
26
25
24
23
22
21
20
19
18
17
16
15
14
13
12
11
10
9
8
7
6
5
4
3
2
1
0
-1
-2
-3
-4
-5
-6
-7
-8
-9

**ROTO-60-24 MCSS
AERIAL WORK PLATFORM THROUGH 360°**

22 21 20 19 18 17 16 15 14 13 12 11 10 9 8 7 6 5 4 3 2 1 0 -1 -2 -3 -4

