



CABINET SLIDING FITTING

NIMMI 



NIMMI APP



NSLD001-Cabinet Sliding Fitting



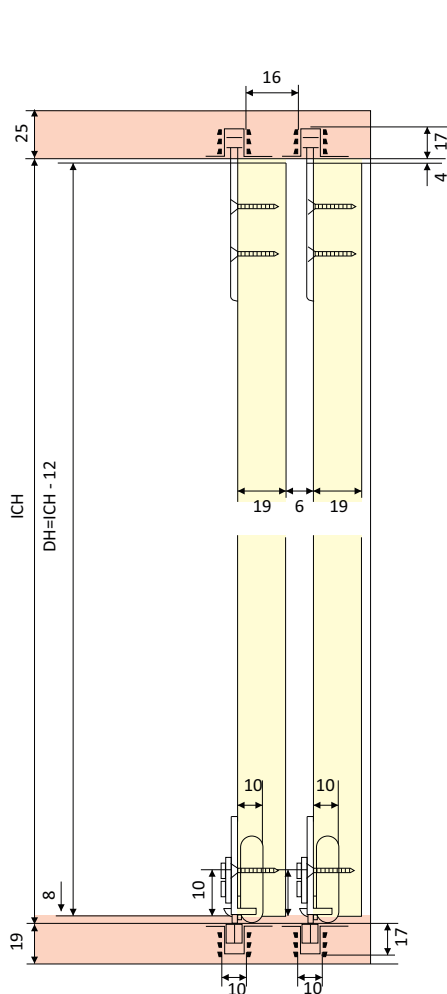
Features

- Maximum door weight 40 Kgs/Panel
- Made from high-quality bearing
- Packed along with a stopper
- Suitable track code: NSC-001
- Suitable for 19mm to 25mm thick door panels

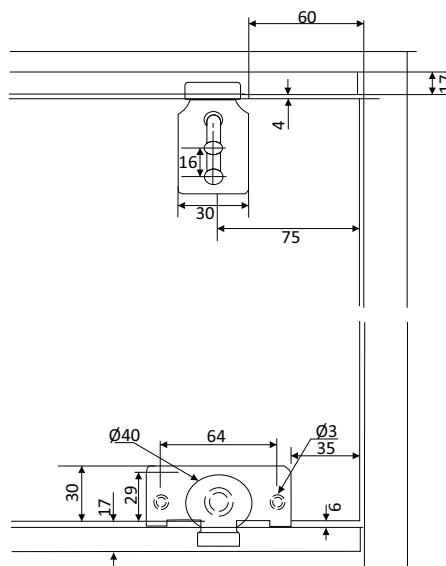
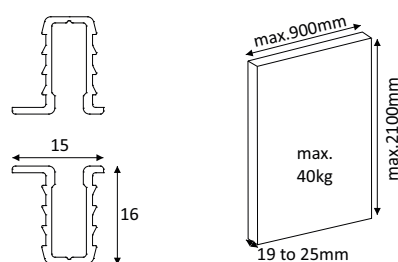
Code	Size(mm)
NSLD001	-
NSC001	2400
	3000



Installation



Side View



Front View



NSLD002-Cabinet Sliding Fitting



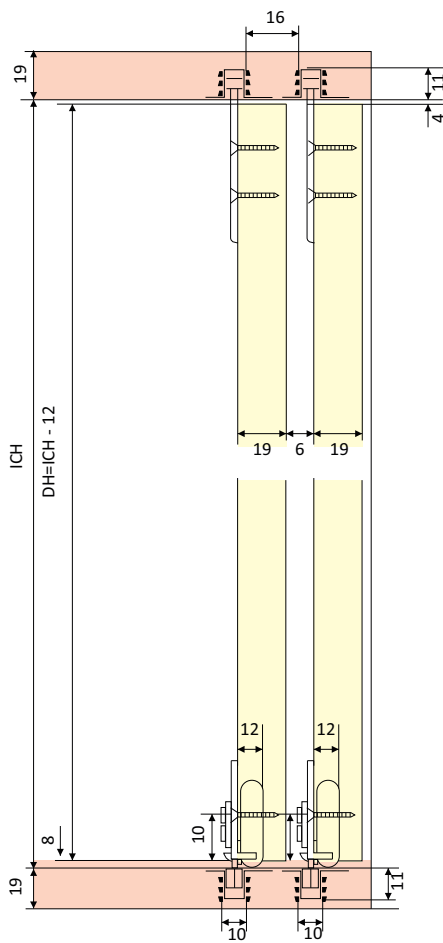
Features

- Maximum door weight 40 Kgs/Panel
- Suitable track code: NSC-002
- Suitable for 19mm to 25mm thick door panels

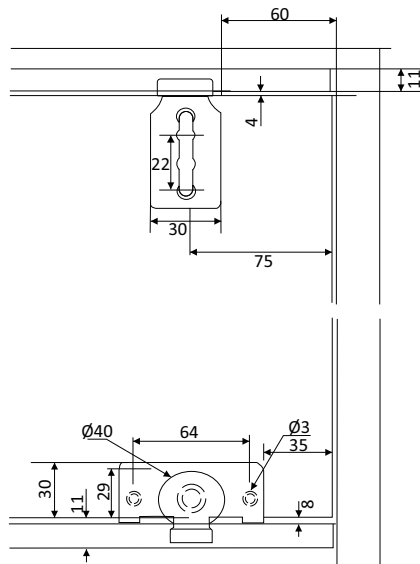
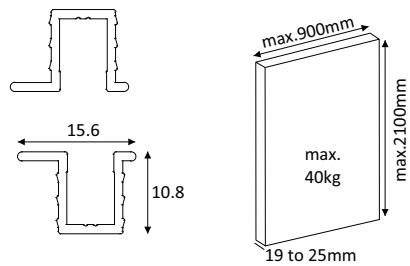
Code	Size(mm)
NSLD002	-
NSC002	2400
	3000



Installation



Side View



Front View



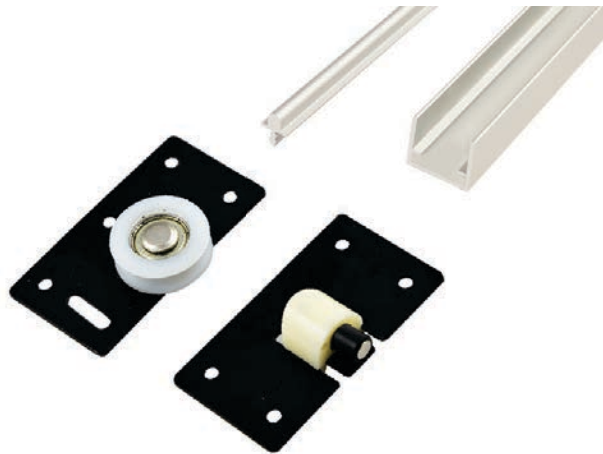
NSLD003-Cabinet Sliding Fitting



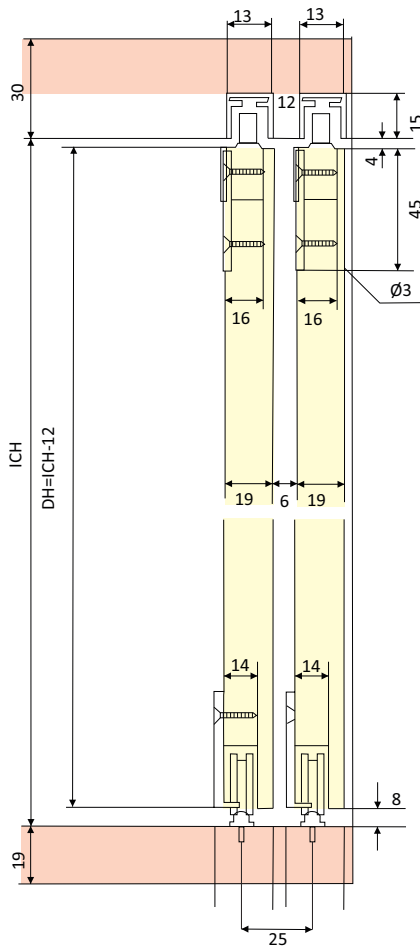
Features

- Maximum door weight 40 Kgs/Panel
- Suitable track code: NSC-003
- Suitable for 19mm to 25mm thick door panels

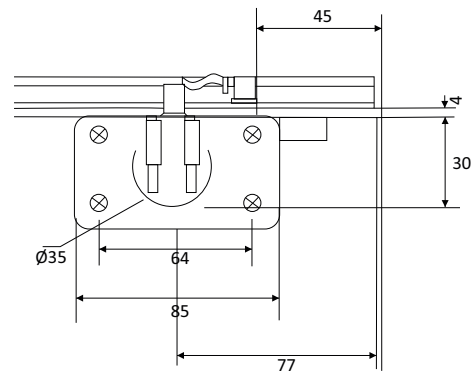
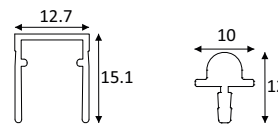
Code	Size(mm)
NSLD003	-
NSC003	2400 3000



Installation



Side View



Front View



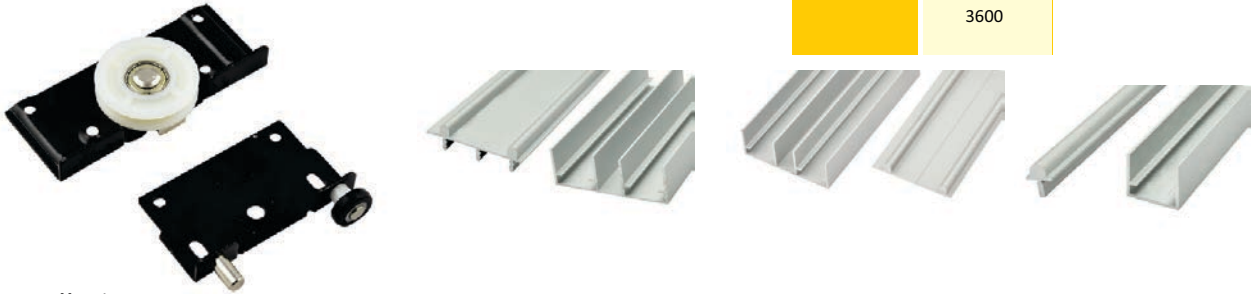
NSLD004-Cabinet Sliding Fitting



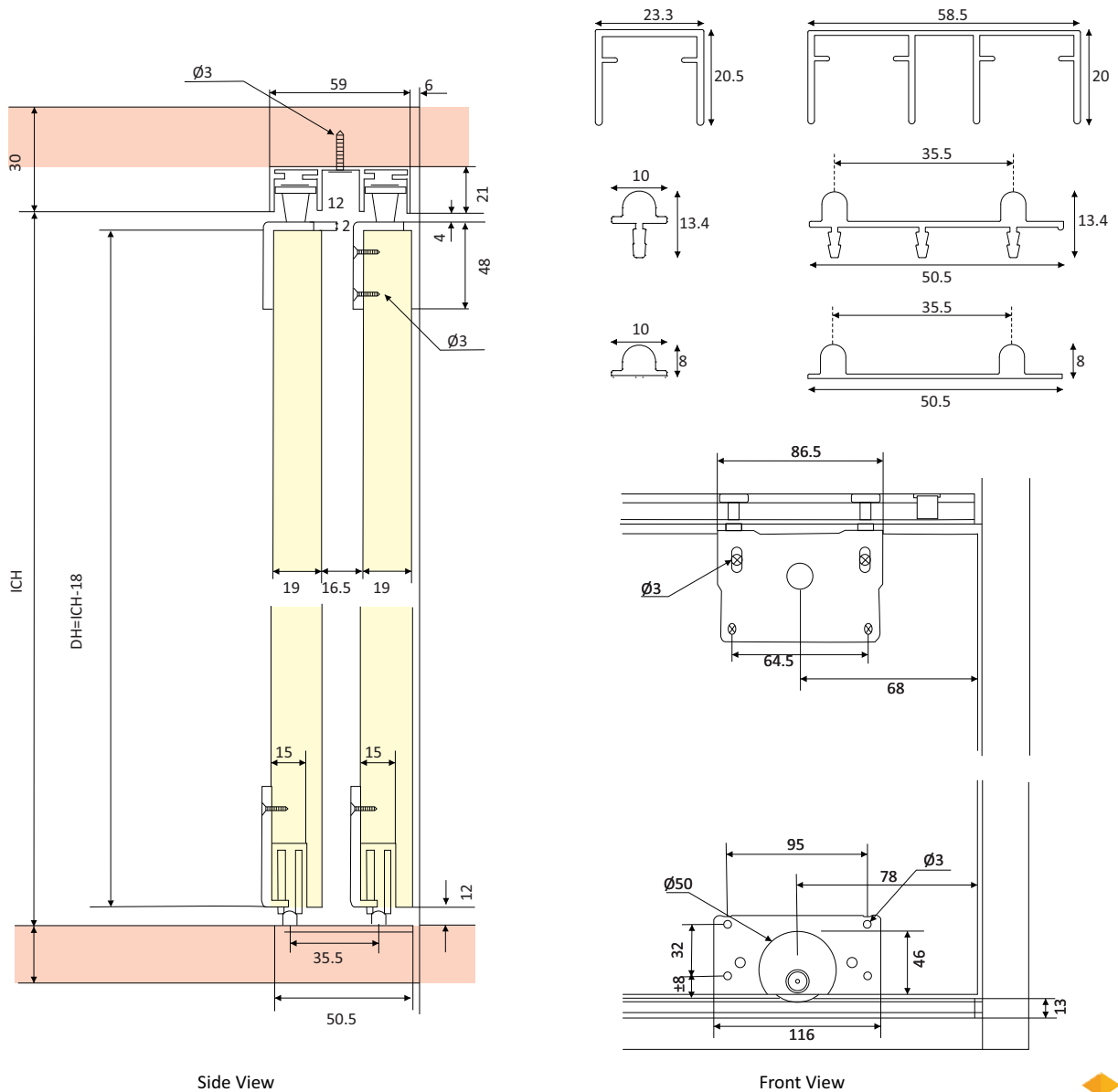
Features

- Maximum door weight 90 Kgs/Panel
- Suitable track code: NSC-004
- High quality Nylon wheels ensures longer life cycle & self lubrication
- Single and double track options available
- Suitable for 19mm to 25mm thick door panels

Code	Size(mm)	Code	Size(mm)
NSLD004 NSC004	-	NSC005	2400
	2400		3000
	3000		3600
NSC004W	2400		
	3000		
	3600		



Installation



NSLD008-Cabinet Sliding Fitting



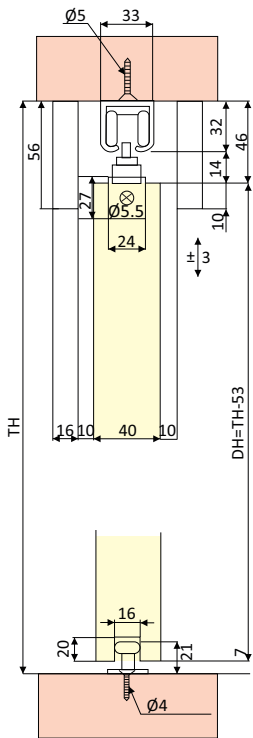
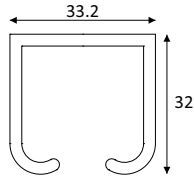
Features

- Maximum door weight 150 Kgs/Panel
- High quality Zinc alloy Case ensures higher durability
- Suitable track code: NSC-007
- Minimum door thickness required is 35mm

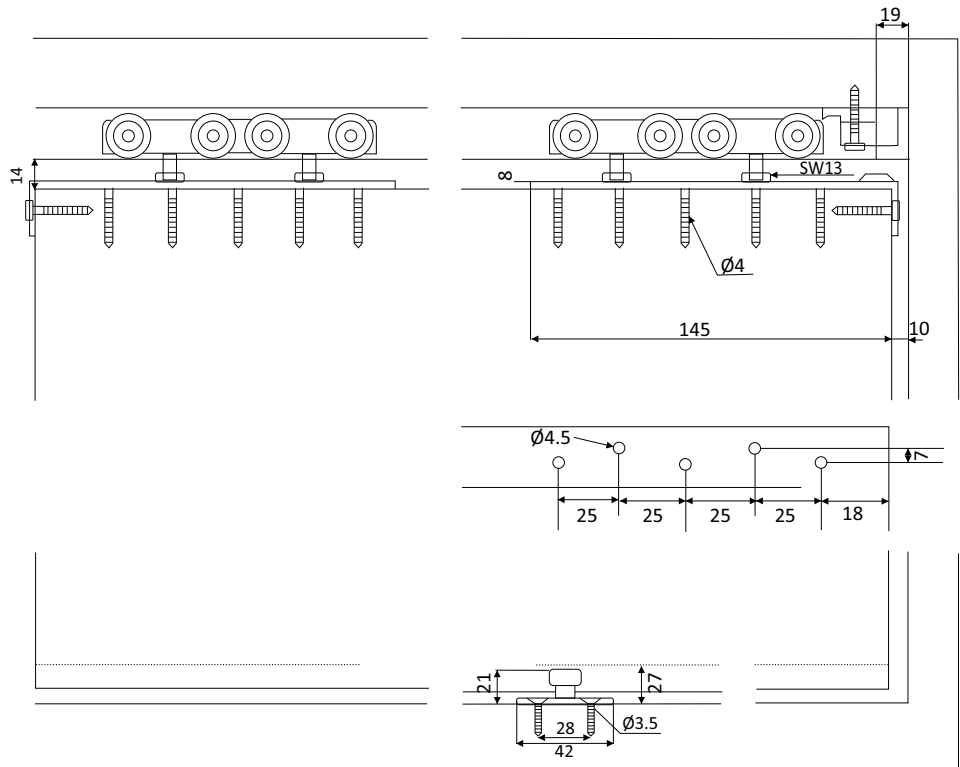
Code	Size(mm)
NSLD008	-
NSC007	2400
	3600
	4800



Installation



Side View



Front View



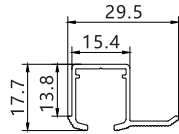
Features

- Soft Closing and Opening Sliding Fitting
- No need of any bottom track
- Suitable for Showcases, TV units, bookshelves etc.
- Weight Capacity 15Kg per door
- Single and Double Track options available
- Minimum door width 530mm
- Glass door thickness 5mm

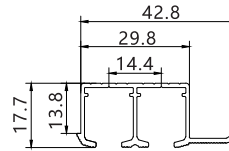


Item Code	Description	Package
NSL015G	Soft Close Small Cabinet hanging fitting for Glass Door	1 Set
NSC015	2.4m Single Aluminum Sliding Track for NSL015	1 Pc
NSC016	2.4m Double Aluminum Sliding Track for NSL015	1 Pc

Installation

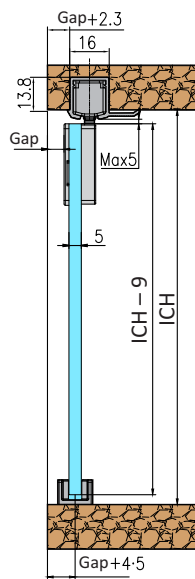


Track for Single Door NSC015



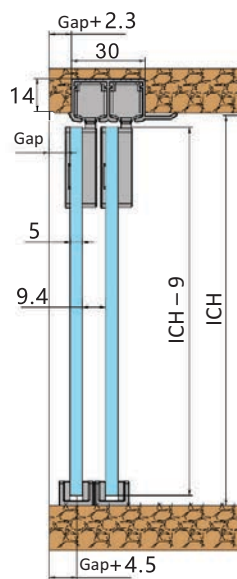
Track for Double Door NSC016

Installation Plan



Upper rail(single door)

Single Door
with NSC015G



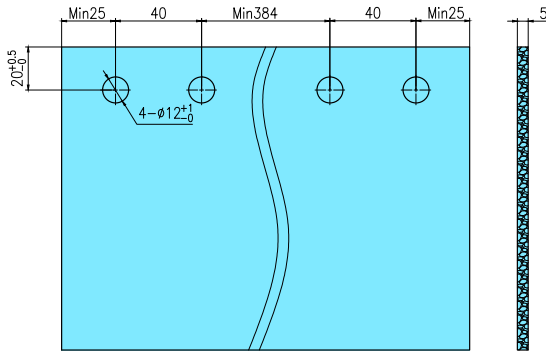
Upper rail(double door)

Double Door
with NSC016

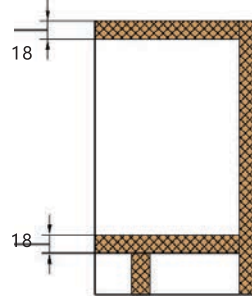


Installation Instructions

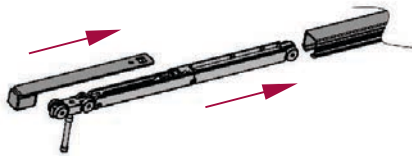
Drilling Dimensions



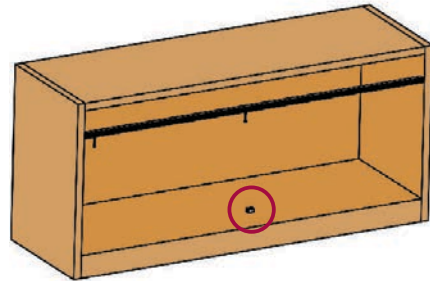
The minimum thickness of top and bottom panel should be 18mm



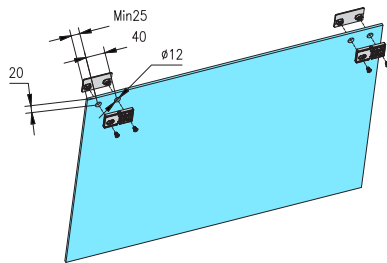
Install the stopper and soft closing wheel set into the track



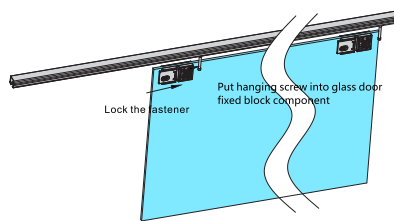
Install the top track and the guide



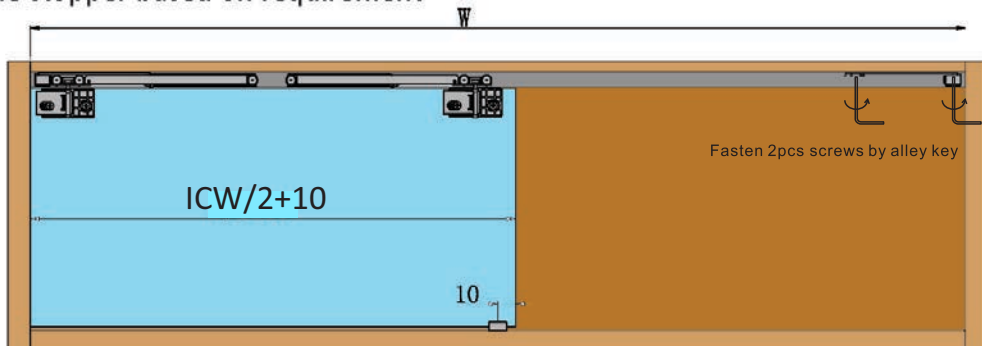
Make the holes on the door and install the component



Hang the door



Adjust the stopper based on requirement



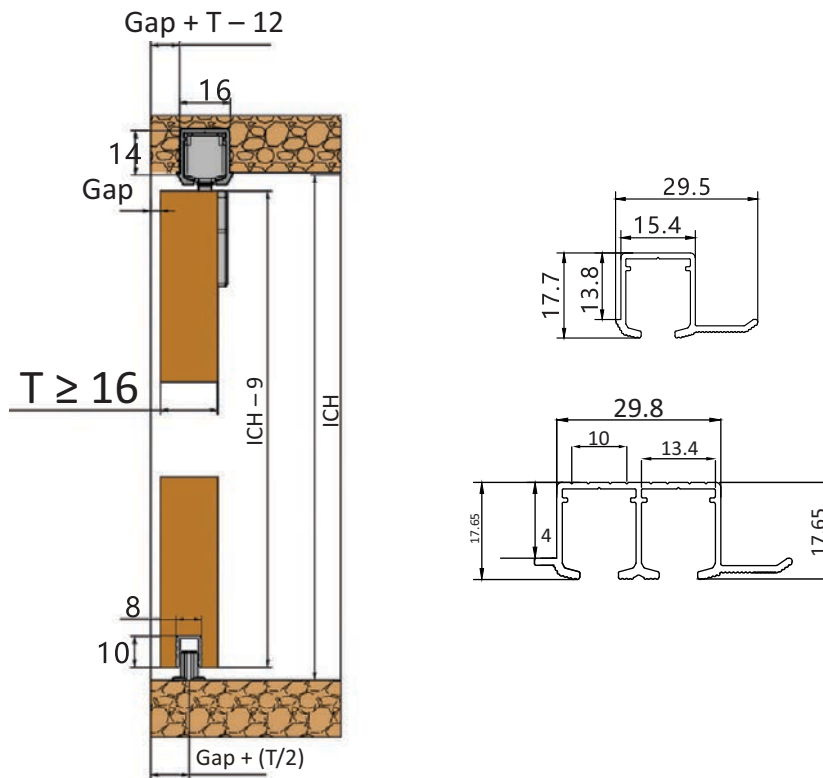
Features

- Soft Closing and Opening Sliding Fitting
- No need of any bottom track
- Suitable for Showcases, TV units, bookshelves etc.
- Weight Capacity 15Kg per door
- Single and Double Track options available
- Minimum door width 530mm
- Minimum door thickness 16mm



Item Code	Description	Package
NSL015W	Soft Close Small Cabinet hanging fitting for Wooden Door	1 Set
NSC015	2.4m Single Aluminum Sliding Track for NSL015	1 Pc
NSC016	2.4m Double Aluminum Sliding Track for NSL015	1 Pc

Installation Plan

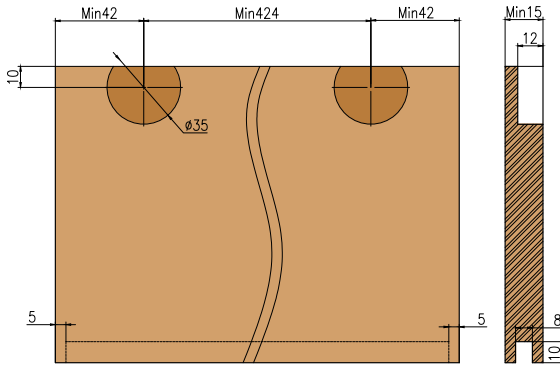


Single Door with NSC015

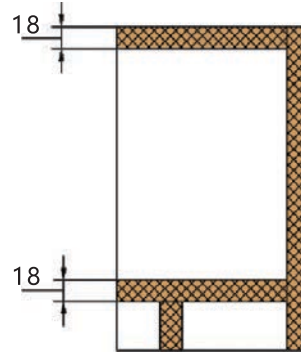


Installation Instructions

Drilling Dimensions



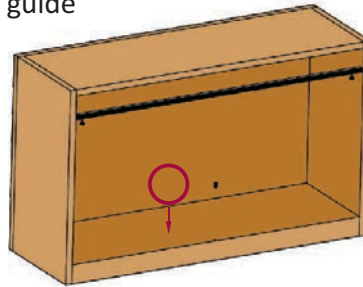
The minimum thickness of top and bottom panel should be 18mm



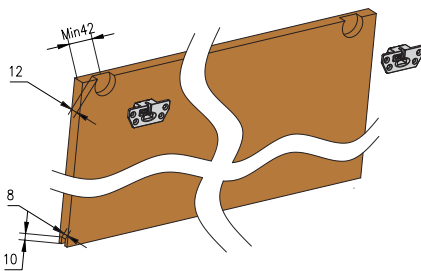
Install the stopper and soft closing wheel set into the track



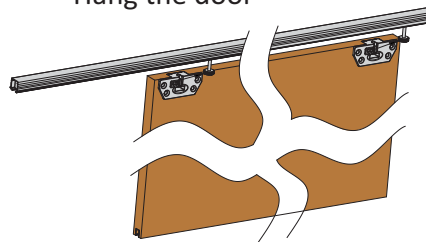
Install the top track and the guide



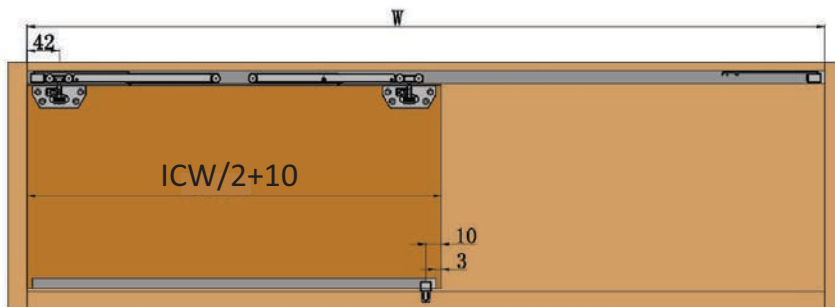
Make the holes on the door and install the component



Hang the door

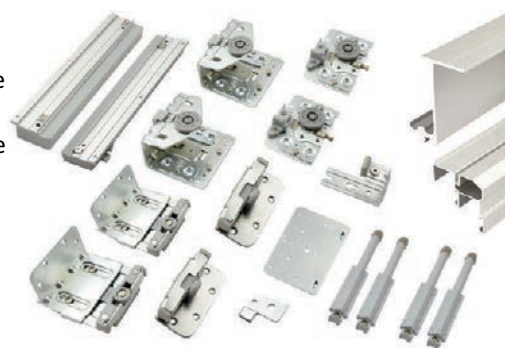


Adjust the stopper based on requirement

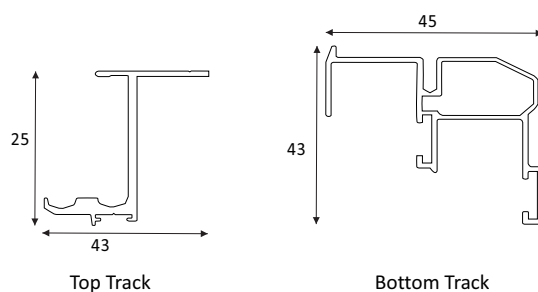


Features

- Soft closing & opening sliding fitting which overlays the cabinet frame
- Dampers are inserted into the sliding track and the position can be infinitely adjusted
- Elegant and easy to install sliding fitting requiring no groove on the cabinet or door panel
- Suitable for door weights upto 50Kg
- Only two door option available
- Dampers on both the top and bottom track
- Requires a minimum 60mm of plinth (skirting)
- Recommended for door thickness 20-25mm

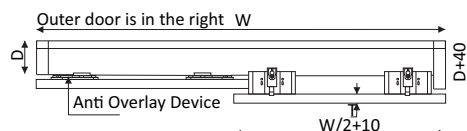
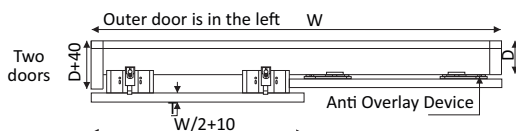


Item Code	Description	Package
NSL20	SpaceLine20 Soft Closing sliding fitting for two doors	1 Set
NSC20-8	2.4m top sliding track for NSL 20	1 Pc
NSC20-10	3m top sliding track for NSL 20	1 Pc
NSC21-8	2.4m bottom sliding track for NSL20	1 Pc
NSC21-10	3m bottom sliding track for NSL20	1 Pc
NSLACC005	Additional damper for soft opening	1 Pair

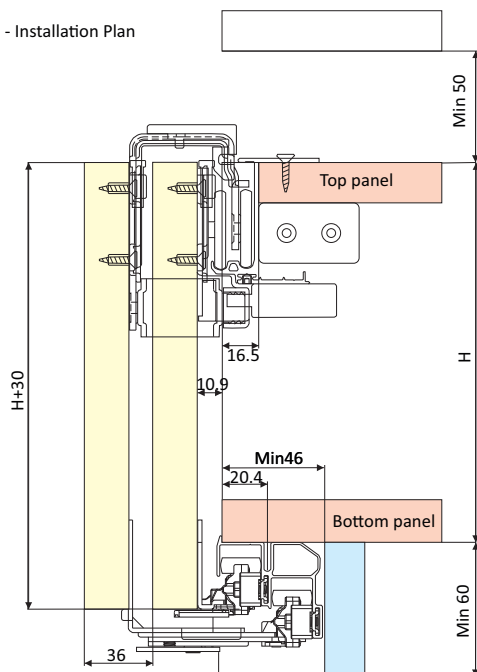


Installation

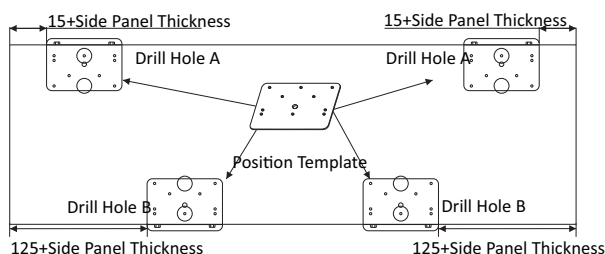
1 - Cabinet Plan



2 - Installation Plan

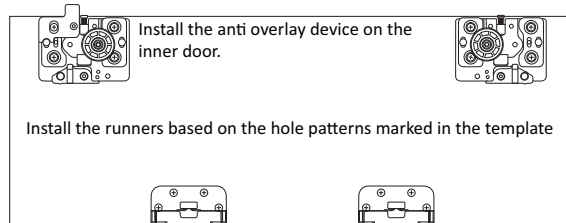


3 - Position the template and drill holes as per instructions below

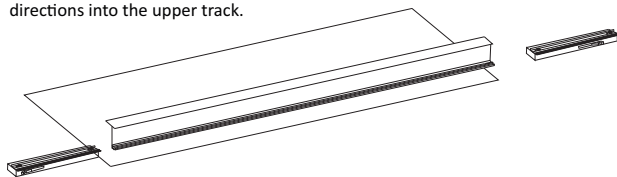


For the top sliding wheels, the central hole is $\varnothing 5\text{mm}$ and the depth is 10mm

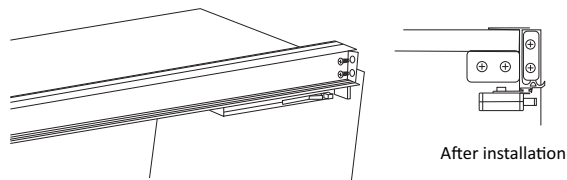
4 - Install the runners and the anti-overlay device



5 - Slide the dampers carefully after checking the directions into the upper track.



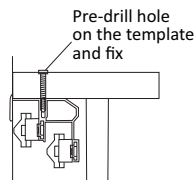
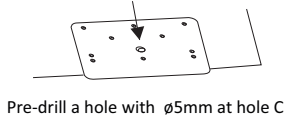
6 - Install plastic accessories to make the fitting more sturdy.



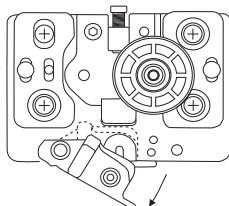
7 - Slide the bottom damper into the bottom track



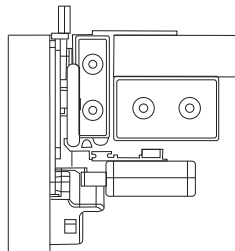
8 - Install the bottom track using the template



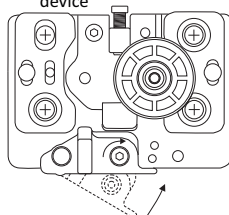
9.1 Pull out the activator



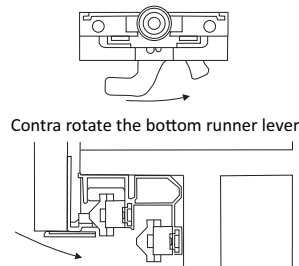
9.2 Hang the inner door



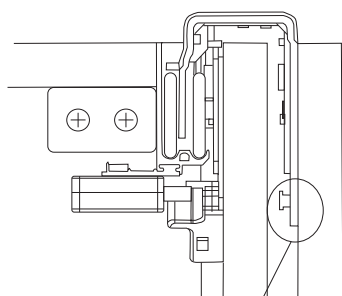
9.3 Lock the soft closing activation device



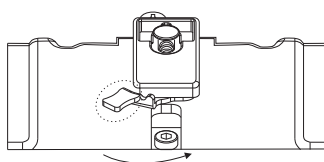
9.4 Lock the bottom runner



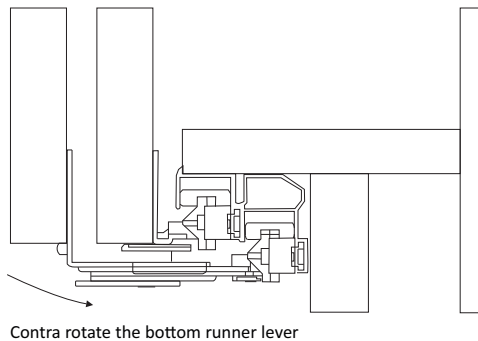
10.1 Hang the outer door



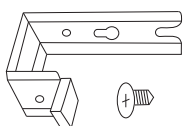
10.2 Lock anti jump device



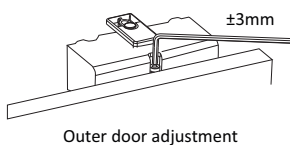
10.3 Lock down runner



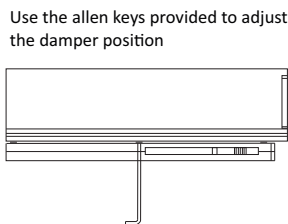
11- Install the outer door soft closing activator



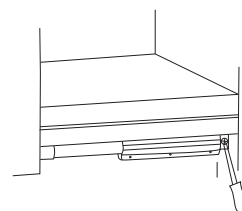
12- Adjustment of inner and outer door



13- Fix the inner door damper

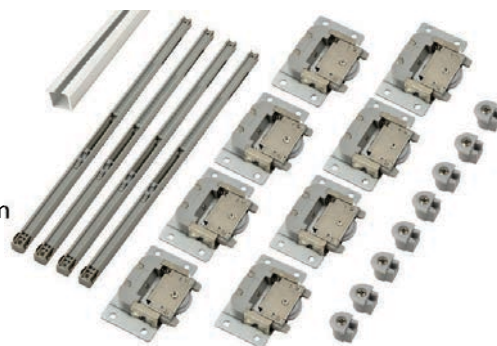


15. Fix the bottom damper



Features

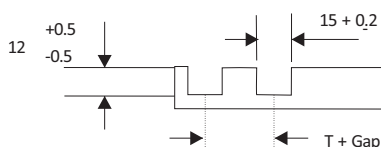
- Soft closing and opening sliding fitting which runs inside the frame of the cabinet
- Dampers are inserted into the sliding track and the position can be infinitely adjusted
- Affordable and easy to install fitting with the same top and bottom track
- Suitable for door weights upto 45Kg and cabinet height up to 2400mm
- Two door and three door options are available
- Bottom track can be concealed using optional cover
- Order different track based on door thickness



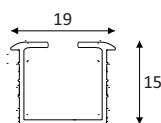
Item Code	Description	Package
NSL30 2D	SpaceLine 30 Soft Closing and Opening sliding fitting for two doors	1 Set
NSL33	SpaceLine 30 only Soft Closing sliding fitting for three doors	1 Set
NSC30-8	2.4m top and bottom sliding track for NSL 30	1 Pc
NSC30-10	3m top and bottom sliding track for NSL 30	1 Pc
NSC30-12	3.6m top and bottom sliding track for NSL 30	1 Pc
NSC35-8	Without groove 2.4m top and bottom sliding track for NSL30-Door Thickness upto 20mm	1 Set
NSC35-10	Without groove 3m top and bottom sliding track for NSL30-Door Thickness upto 20mm	1 Pc
NSC35-12	Without groove 3.6m top and bottom sliding track for NSL30-Door Thickness upto 20mm	1 Set
NSC36	Optional decorative cover for NSC 35	1 Pc
NSC37-8	Without groove 2.4m top and bottom sliding track for NSL30-Door Thickness upto 25mm	1 Set
NSC37-10	Without groove 3m top and bottom sliding track for NSL30-Door Thickness upto 25mm	1 Set
NSC37-12	Without groove 3.6m top and bottom sliding track for NSL30-Door Thickness upto 25mm	1 Set
NSC38	Optional decorative cover for NSC 37	1 Pc
NSC39-8	Without groove 2.4m top and bottom sliding track for NSL30-Door Thickness upto 32mm	1 Set
NSC39-10	Without groove 3m top and bottom sliding track for NSL30-Door Thickness upto 32mm	1 Set
NSC39-12	Without groove 3.6m top and bottom sliding track for NSL30-Door Thickness upto 32mm	1 Set
NSC31	Optional decorative cover for NSC 39	1 Pc



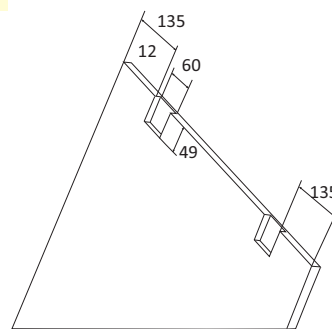
Installation



Routing dimensions for sliding tracks



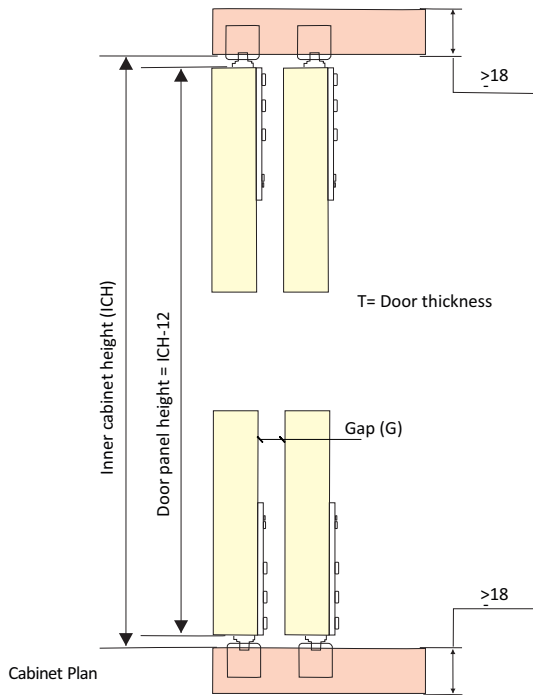
NSC030



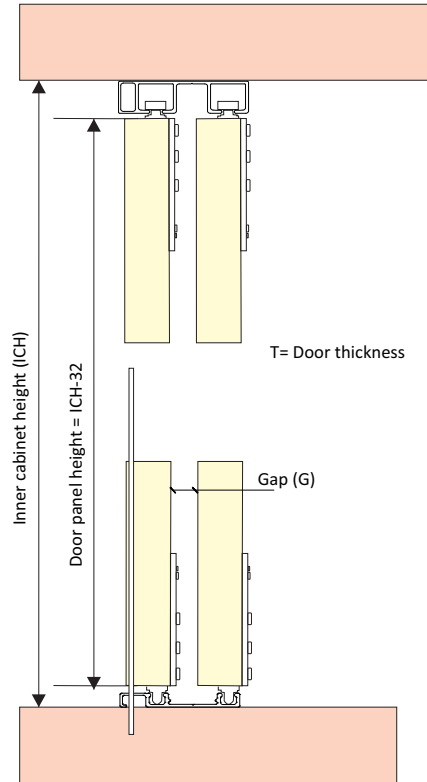
Routing dimensions for the fitting.



Groove Installation

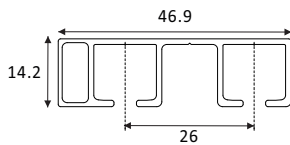


Without Groove Installation



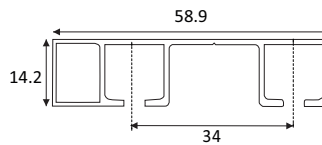
Track up to 20mm door

NSC 35 Top Track



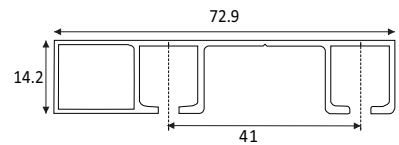
Track up to 25mm door

NSC 37 Top Track

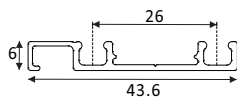


Track up to 32mm door

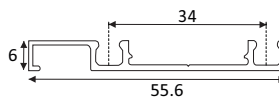
NSC 39 Top Track



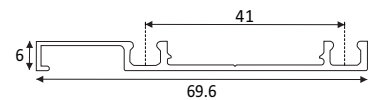
NSC 35 Bottom Track



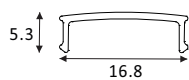
NSC 37 Bottom Track



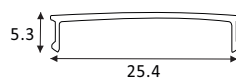
NSC 39 Bottom Track



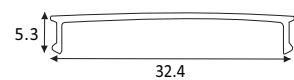
NSC 36 Optional Cover



NSC 38 Optional Cover



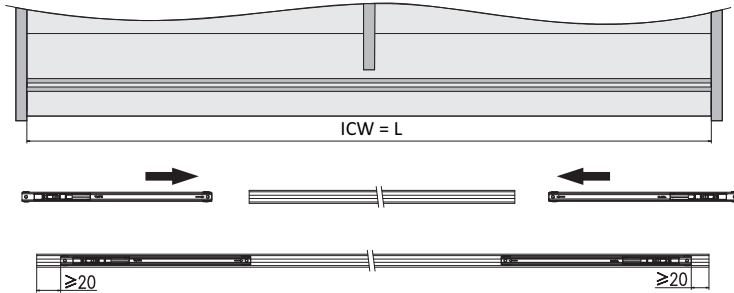
NSC 31 Optional Cover



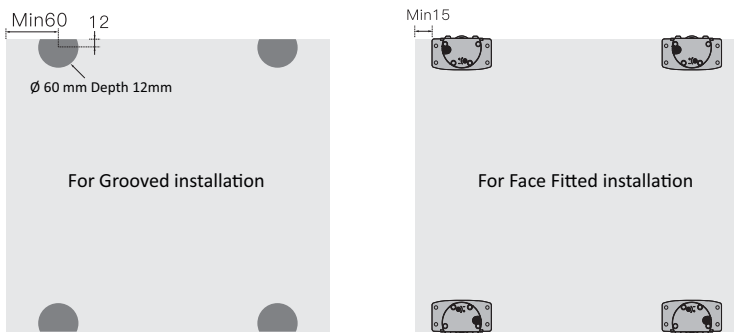
Step 1: Damper and Track Installation

ICW = L

ICW = Inner Cabinet Width ; L = Track Length



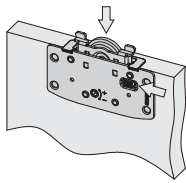
Step 2: Runner installation



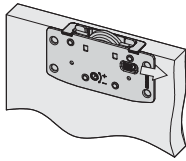
Step 3: Door panel installation and Door gap regulation

For Grooved installation

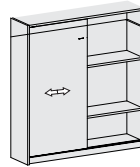
Before installing, press the button.



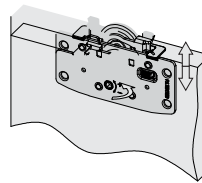
After installing the door, release the button.



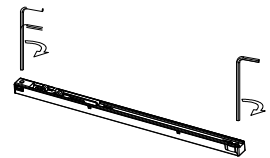
Adjust the position of the damper after closing the door.



Adjust the gap using the screw

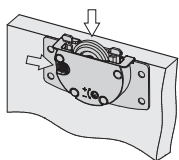


Tighten the damper screws

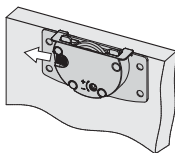


For Face Fitted installation

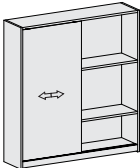
Before installing, press the button.



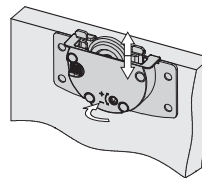
After installing the door, release the button.



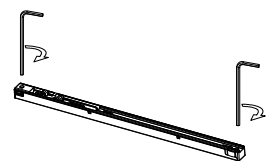
Adjust the position of the damper after closing the door



Adjust the gap using the screw



Tighten the damper screws



Features

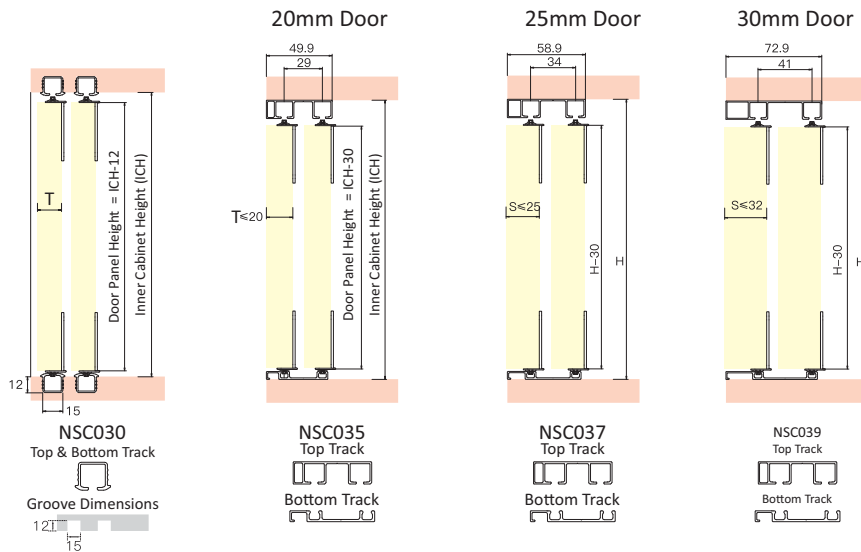
- Soft closing and opening sliding fitting.
- Soft closing mechanism is inserted into sliding track and position can be infinitely adjusted.
- Affordable and easy to install fitting.
- Fitting can be grooved or face fitted as per requirement.
- Correct track need to be purchased based on door thickness and type of installation.
- 50kg Weight Capacity.



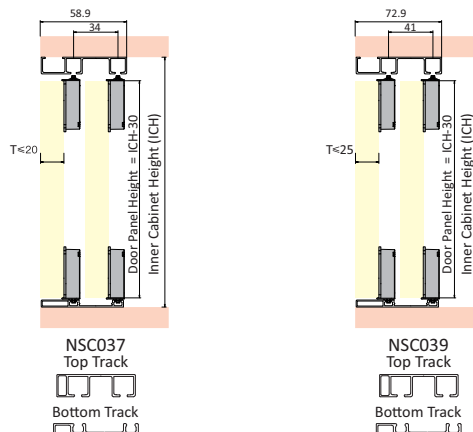
Door thickness	Grooved Installation	Face fitted Installation
18 to 20 mm	NSC035	NSC037
21 to 25 mm	NSC037	NSC039
26 to 30 mm	NSC039	NSC030

NSC030 can be used for all door thicknesses and all installation types.

Installation Plan For Grooved Installation



For Face Fitted Installation



Features

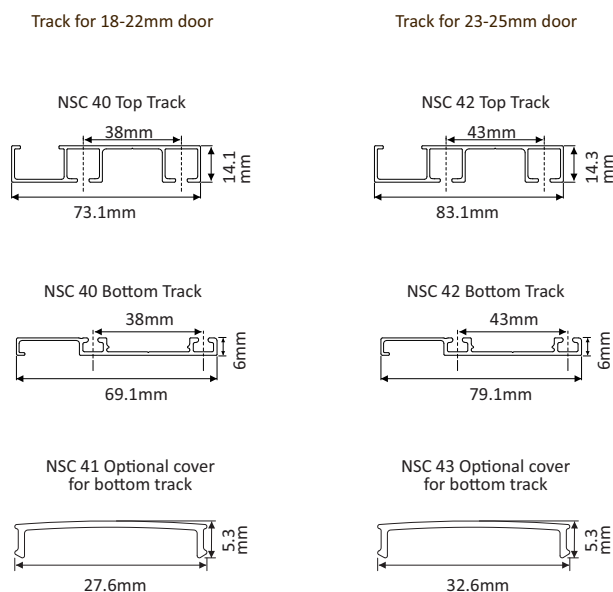
- Soft closing and opening sliding fitting which runs inside the frame of the cabinet
- Dampers are inserted into the sliding track and the position can be infinitely adjusted
- Affordable and easy to install fitting not requiring any groove either in the cabinet or door panel
- Bottom track can be concealed using optional cover
- Suitable for door weights upto 45Kg and cabinet height up to 2400mm
- Two door and three door options are available
- Order different track based on door thickness
- Track available in 4 special finishes SS, BK, CP, TG in 3.6m size (NSC40-12)



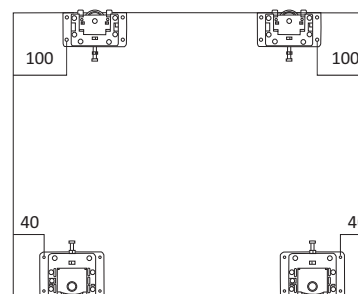
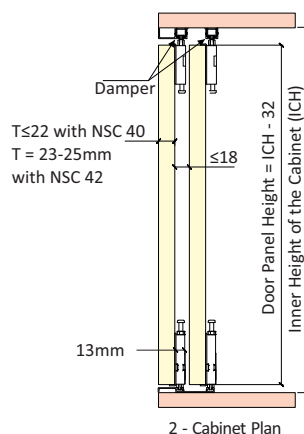
Item Code	Description	Package
NSL40 2D	SpaceLine40 Soft Closing and Opening sliding fitting for two doors.	1 Set
NSL43	SpaceLine40 only Soft Closing sliding fitting for three doors	1 Set
NSC40-8	2.4m top and bottom sliding track set for NSL40 – Door Thickness 19-22mm	1 Set
NSC40-10	3m top and bottom sliding track set for NSL40– Door Thickness 19-22mm	1 Set
NSC40-12	3.6m top and bottom sliding track set for NSL40– Door Thickness 19-22mm	1 Set

Item Code	Description	Package
NSC41	3.6m optional decorative cover for NSC40 bottom track.	1 Pc
NSC42-8	2.4m top and bottom sliding track set for NSL40 – Door Thickness 22-25mm	1 Set
NSC42-10	3m top and bottom sliding track set for NSL40 – Door Thickness 22-25mm	1 Set
NSC42-12	3.6m top and bottom sliding track set for NSL40 – Door Thickness 22-25mm	1 Set
NSC43	3.6m optional decorative cover for NSC42 bottom track.	1 Set

Installation

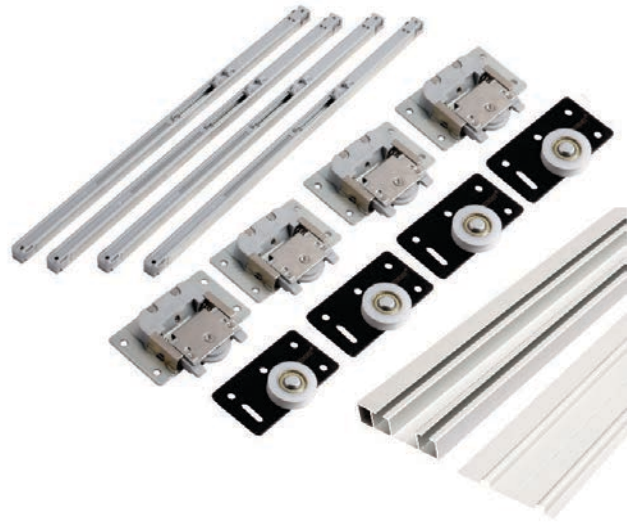


1- Track Dimensions

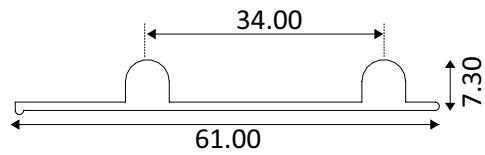
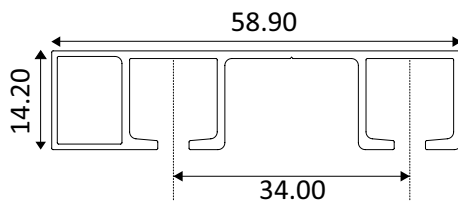


Features

- Economical and Easy to install sliding fitting
- Weight Capacity 50 Kg
- Door Thickness - 20 to 25mm
- Familiar Wheels and Installation mechanism
- Soft closing and soft opening is available



Item Code	Description	Package
NSL50 2D	SpaceLine50 Soft Closing and Opening sliding fitting for two doors.	1 Set
NSC50-8	2.4m top and bottom sliding track set for NSL50 – Door Thickness 20-25mm	1 Set
NSC50-12	3.6m top and bottom sliding track set for NSL50 – Door Thickness 20-25mm	1 Set

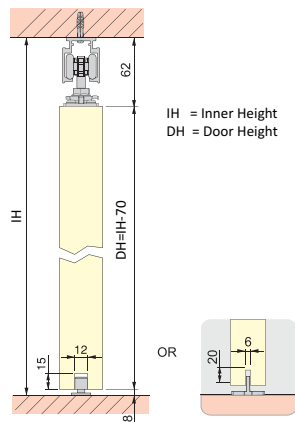
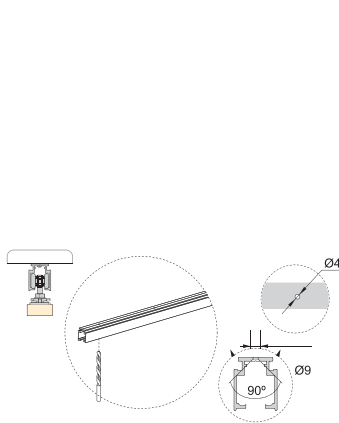
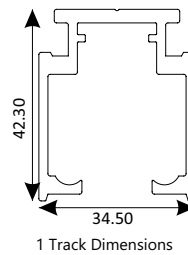


Features

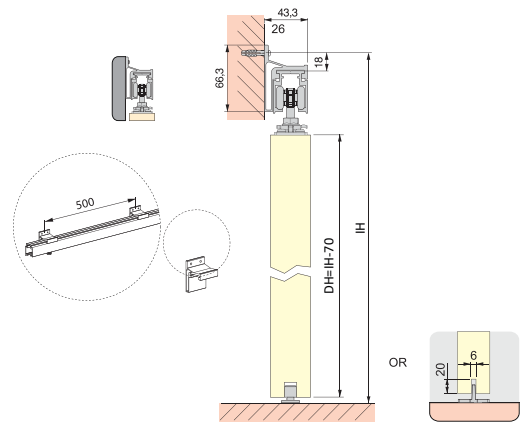
- Soft opening and closing option is available by using single damper.
- Soft closing mechanism is inserted into sliding track and position can be infinitely adjusted.
- Affordable and easy to install fitting.
- Minimum door thickness required (30-45mm).
- Door height can be adjusted upto ± 5 mm.
- 80kg Weight Capacity.



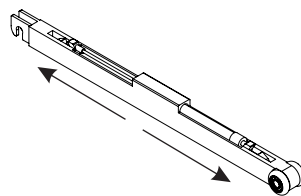
Item Code	Description	Package
NSLFD75	SpaceLine75 Soft Closing and Opening sliding fitting for two doors.	1 Set
NSC75WF	Wall Hanging Bracket for NSC075S	1 Pc
NSC75S-8	2.4m sliding track set for NSLFD75	1 Pc
NSC75S-12	3.6m sliding track set for NSLFD75	1 Pc



2. Cabinet Preparation Plan for Roof Fitting



2. Cabinet Preparation Plan for Wall Fitting

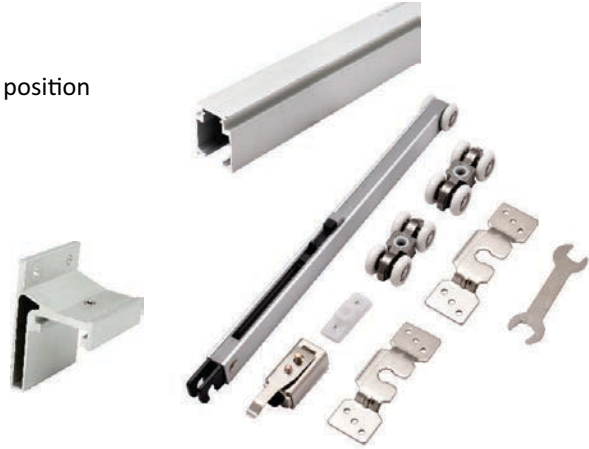


Activate Damper, before installation!

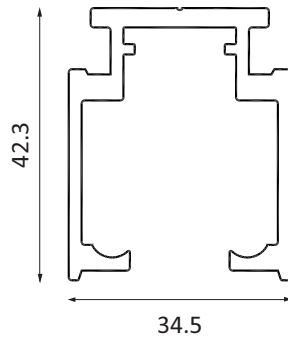


Features

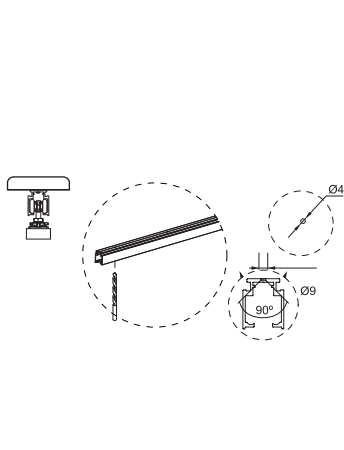
- Soft opening and closing option is available.
- Soft closing mechanism is inserted into sliding track and position can be infinitely adjusted.
- Affordable and easy to install fitting.
- Minimum door thickness required (30-45mm).
- Door height can be adjusted upto ± 5 mm.
- 80kg Weight Capacity.



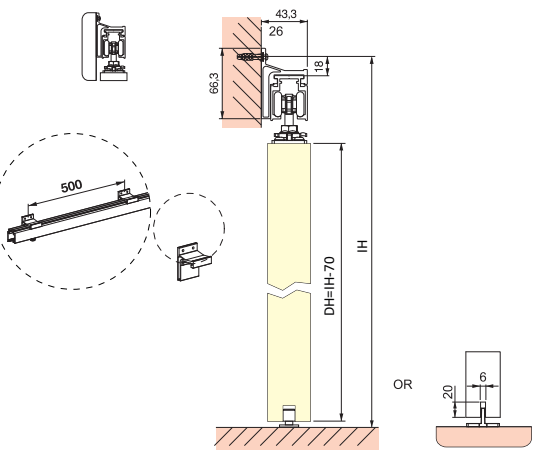
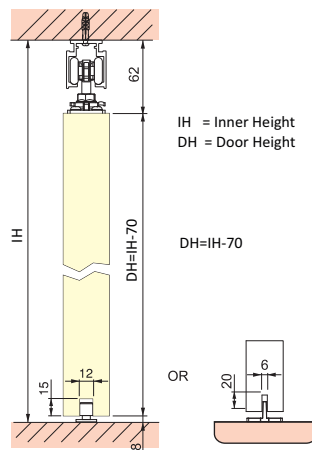
Item Code	Description	Package
NSLFD80-S	Spaceline flush door sliding 80Kg capacity single damper.	1 Set
NSC75-S	2.4, 3.6, 4.8 m size top sliding track for NSLFD80-S	1 Set
NSC75-WF	Wall hanging fitting for NSC75-S	1 Set



1 Track Dimensions



2. Cabinet Preparation Plan for Roof Fitting



2. Cabinet Preparation Plan for Wall Fitting

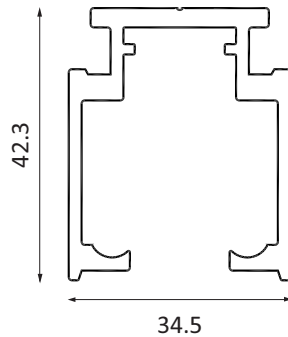


Features

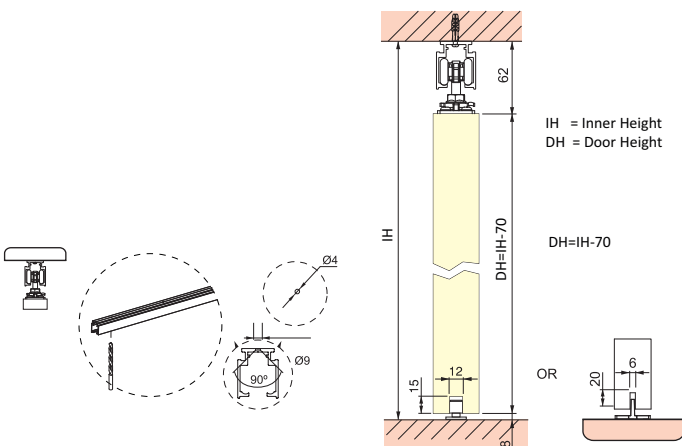
- Soft opening and closing option is available.
- Soft closing mechanism is inserted into sliding track and position can be infinitely adjusted.
- Affordable and easy to install fitting.
- Minimum door thickness required (30-45mm).
- Door height can be adjusted upto ± 5 mm.
- 80kg Weight Capacity.



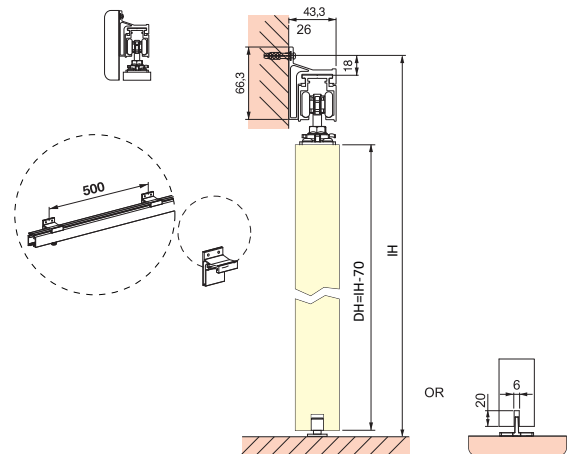
Item Code	Description	Package
NSLFD80-T	Spaceline flush door sliding 80Kg capacity single damper.	1 Set
NSC75-S	2.4, 3.6, 4.8 m size top sliding track for NSLFD80-S	1 Set
NSC75-WF	Wall hanging fitting for NSC75-S	1 Set



1 Track Dimensions



2. Cabinet Preparation Plan for Roof Fitting



2. Cabinet Preparation Plan for Wall Fitting

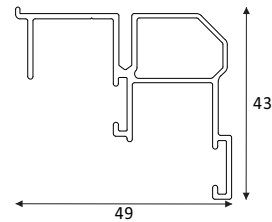
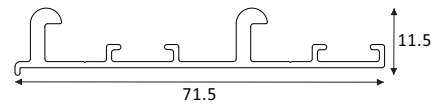


Features

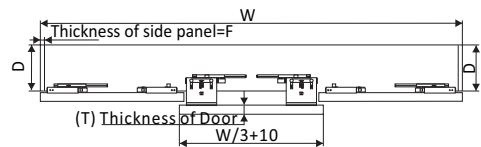
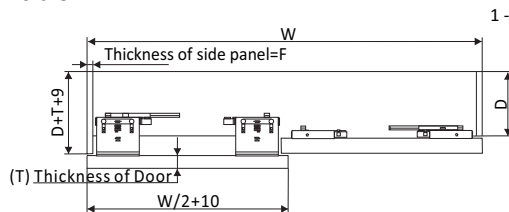
- Soft closing and opening sliding fitting which overlays the cabinet frame
- Dampers are inserted into the fitting and the soft closing position can be infinitely adjusted
- Elegant and easy to install sliding fitting does not require any groove on the cabinet or door panel
- Suitable for door weights upto 80 Kgs
- Two and Three Door options are available
- Dampers on both the top and bottom track
- Requires a minimum 60mm of plinth (skirting)
- Recommended for door thickness 16-45mm



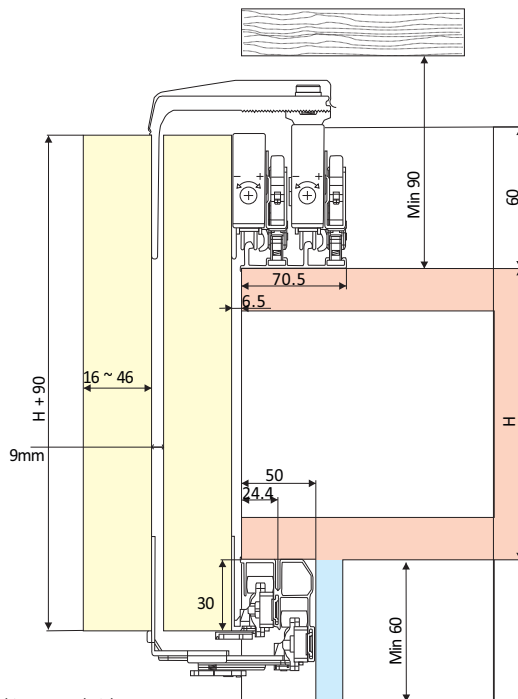
Item	Description	Package
NSL80	SpaceLine 80 Soft Closing and Opening sliding fitting for two doors	1 Set
NSL83	SpaceLine 83 Soft Closing and Opening sliding fitting for three doors	1 Set
NSC80-8	2.4 m top sliding track for NSL80 and NSL83	1 Pc
NSC80-12	3.6m top sliding track for NSL80 and NSL83	1 Pc
NSC81-8	2.4m bottom sliding track for NSL80 and NSL83	1 Pc
NSC81-12	3.6m bottom sliding track for NSL80 and NSL83	1 Pc



Installation

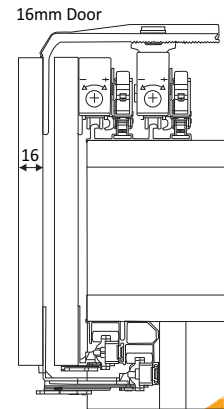
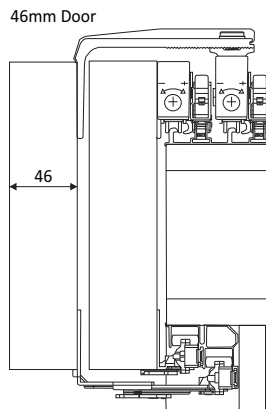
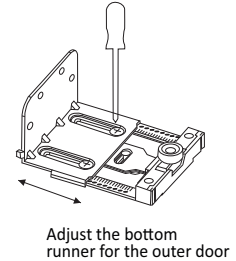
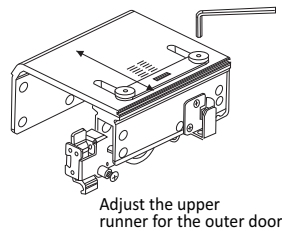


2 - Installation Plan



H = Cabinet outer height

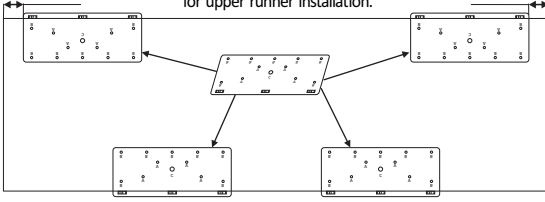
3 - Adjust outer door accessories according to the thickness of door.



4 - Drilling position for the runner installation

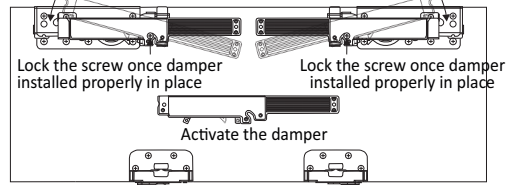
Position the hole drilling template based on the side panel thickness

Place template at 25mm + Side Panel Thickness and mark the holes 'B' for upper runner installation.



Place Template at 100 + Side Panel Thickness and mark the holes 'A' for bottom runner installation

Install the upper runner with dampers making sure the left runner is installed on the Left side only

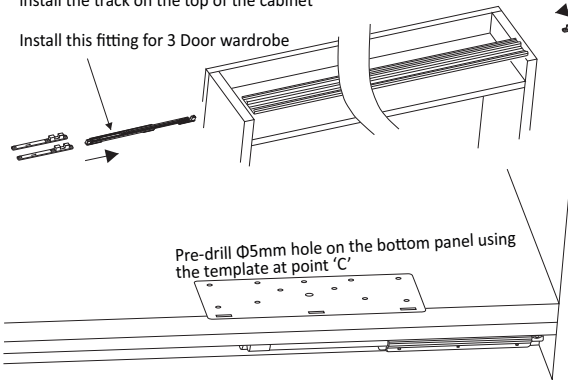


Install the bottom runner

5 - Install the upper and down rail

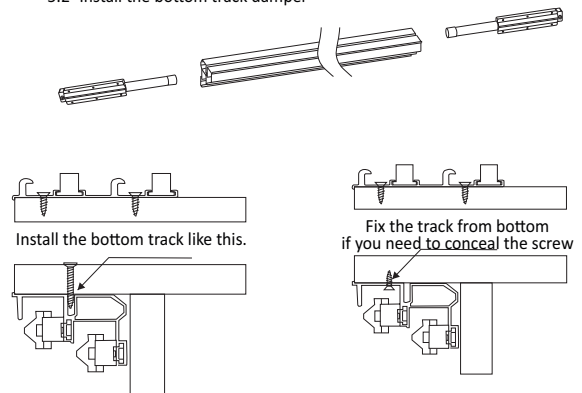
5.1- Slide the upper stopper into the upper sliding track and install the track on the top of the cabinet

Install this fitting for 3 Door wardrobe



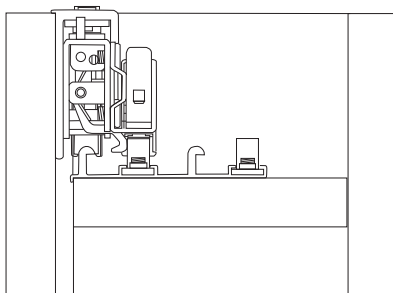
Pre-drill $\Phi 5\text{mm}$ hole on the bottom panel using the template at point 'C'

5.2- Install the bottom track damper

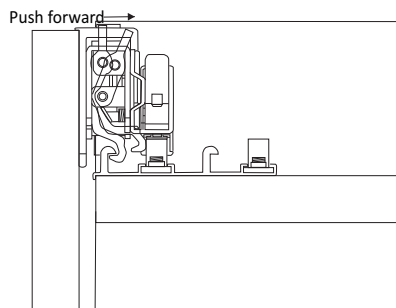


6 - Installation of outer and inner door (Inner door first, Outer door second)

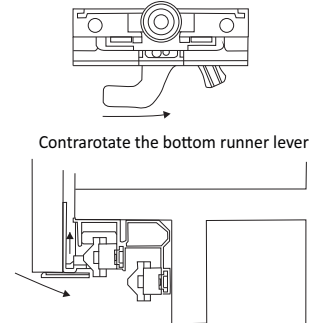
6.1- Hang the inner door first.



6.2- Use the button to activate the anti jumper

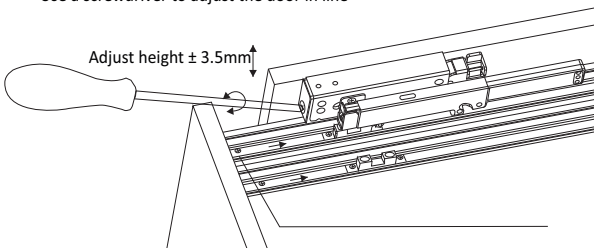


6.3- Locking the bottom runner

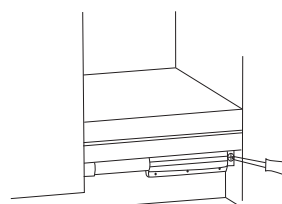


7 - Adjust the door height and adjust the stopper positions.

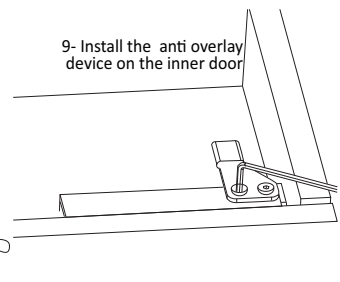
Use a screwdriver to adjust the door in line



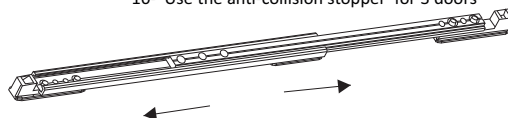
8- Adjust the bottom damper



9- Install the anti overlay device on the inner door



10- Use the anti-collision stopper for 3 doors



Loosen the screw then lock the screw after stretching the collision stopper

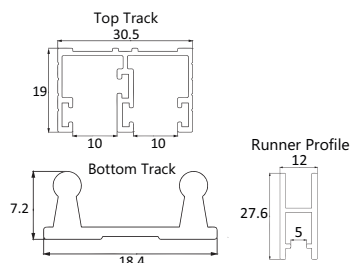


NSLD010 - Glass Sliding for Display Systems



- Sliding System for Glass Cabinets and Showcase Units.
- Easy to install sliding fitting requiring virtually no cut outs.
- Weight Capacity of 25Kg / Door
- Chrome and Black Finished end caps for premium look.
- Optional Handle and Locks are available
- Ideally recommended for Glass Thickness 5mm

NSC010 - Top & Bottom Sliding Track with Runner Profile for NSLD010



Length (mm)	Finish
1200	SS, AL
1800	
2400	
2400	BK

NSC010EC1 - End Cap for NSC010



Finish
CP
BK

NSC010EC2 - End Cap with Handle for NSC010



Finish
CP
BK

NSC010ACC001 - Gasket for NSC010



NSLD010LOCK - Lock for NSLD10



- Sliding door lock suitable for NSLD010
- No cutout required on Glass

Size(mm)	Finish
-	SS

NSDL22/30 - Sliding Door Lock



- Sliding door lock suitable for any sliding fitting
- Suitable for wooden door
- Thickness constraints (if any)
- Suitable for Three Doors (along with accessory)
- To be installed on outer door

Size(mm)	Finish
22 30	CP

NSDL3DKIT - Three Door Sliding Lock Kit for NSLD



- Push Lock Variant which is more sturdy
- Can use one lock to secure three doors using NSDL3DKIT
- Easy to install requiring simple routing

Size(mm)	Finish
600	CP

NSTI2D/3D - Stinger Wardrobe Sliding Door Lock



Size(mm)	Finish
-	CP

NSTI3DROD - Stinger 3 Door Fitting Accessories



Size(mm)	Finish
800 1200	CP



NSTIACC001 - 5mm Rear Packing White for Stinger Lock

- Sliding door lock suitable for NSLD010
- No cutout required on Glass

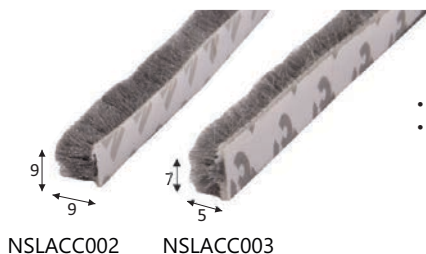
Size(mm)	Finish
-	SS

NSLACC001 - Damper for NSL30 & NSL40



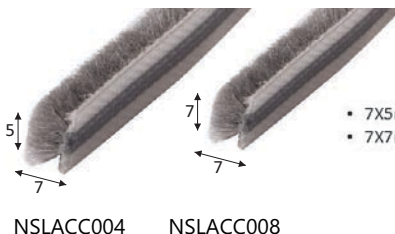
- Only damper for NSL30 & NSL40
- Suitable for door upto 45 Kg

NSLACC002/03 - 3M Self adhesive brush seal



- 9X9mm 3M Self adhesive brush seal for wardrobes and cabinets
- 7X5mm 3M Self adhesive brush seal for profile and cabinets

NSLACC004/08 - Non adhesive brush seal



- 7X5mm Non adhesive brush seal for profile and cabinets
- 7X7mm Non adhesive brush seal for profile and cabinets

NSLACC005 - Soft Opening Damper for NSL20



NSLACC007 - Anti Pest Protective Cover for Sliding Doors



Length (mm)	Finish	Weight/Meter
1000	AL BK	800gm

