



DATA Bulk Tablet Counting Machines ICU SERIES

ICU 2-80

- Vision-based counting modules
- 100% counting accuracy
- Can function in extreme dust conditions
- Broken tablets detection
- Rate of up to 90 bottles per minute
- Can count 1 to ∞ tablets into a bottle
- Full GMP compliant design, no blind spots
- Less than 5 minutes tool-less changeover of all contact parts
- Small footprint, minimal maintenance
- 21 CFR Part 11 compliance
- Touch panel PC based HMI with intuitive graphic interface
- Recipe driven, multi-level user access
- Very easy to operate and setup
- Dust extraction

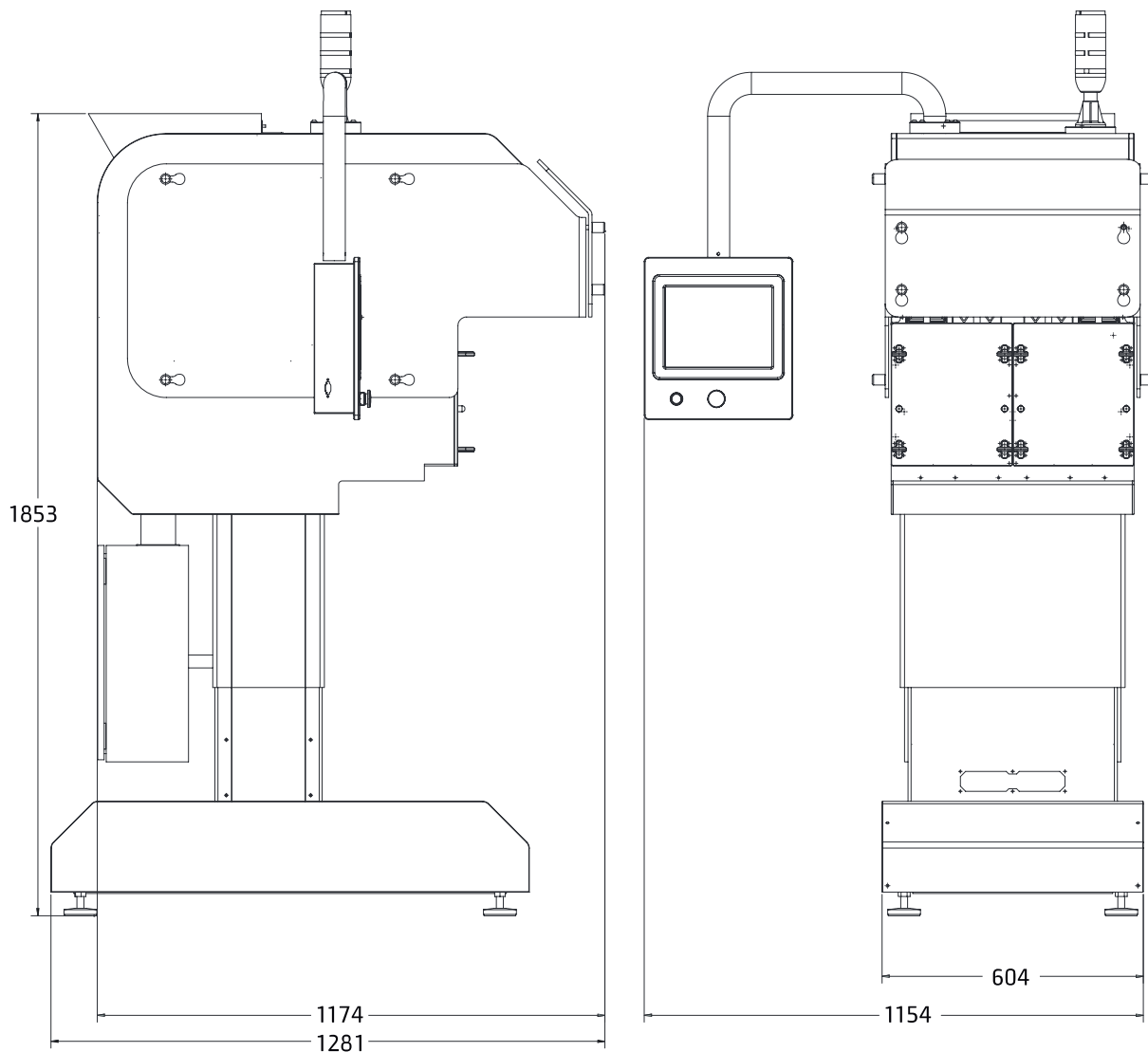
Optional features:

- Ionizer
- Diving funnels
- Change part for large counts
- External UPS



Technical data (Bulk tablet counter unit)

Production Max Output (subject to trial confirmation)	Bottles/min (100 count)	80
	Bottles/min (<60 count)	90
	Bottles/min (1000 count)	15
Bottle height	40-200 mm	
Tablet	Type	Tablets, Capsule
	Shape	Round, Oval
	Length	3-30 mm
	Diameter / Width	3-20 mm
Input voltage	115 / 230 VAC 50 / 60Hz	
Electrical connection	Single phase	
Power	1000W	
Machine dimensions	L	1281 mm
	W	604 mm
	H	1853 mm



ICU 1-40

- Vision based count modules
- 100% counting accuracy
- Can function in extreme dust conditions
- Broken tablets detection
- Rate of up to 45 bottles per min
- Can count 1 to ∞ tablets into a bottle
- Full GMP compliant design, no blind spots
- Less than 5 minutes tool-less changeover of all contact parts
- Small Footprint, minimal maintenance
- 21 CFR Part 11 compliance
- Touch panel PC based HMI with intuitive graphic interface
- Recipe driven, multi level user access
- Very easy to operate and setup
- Dust extraction

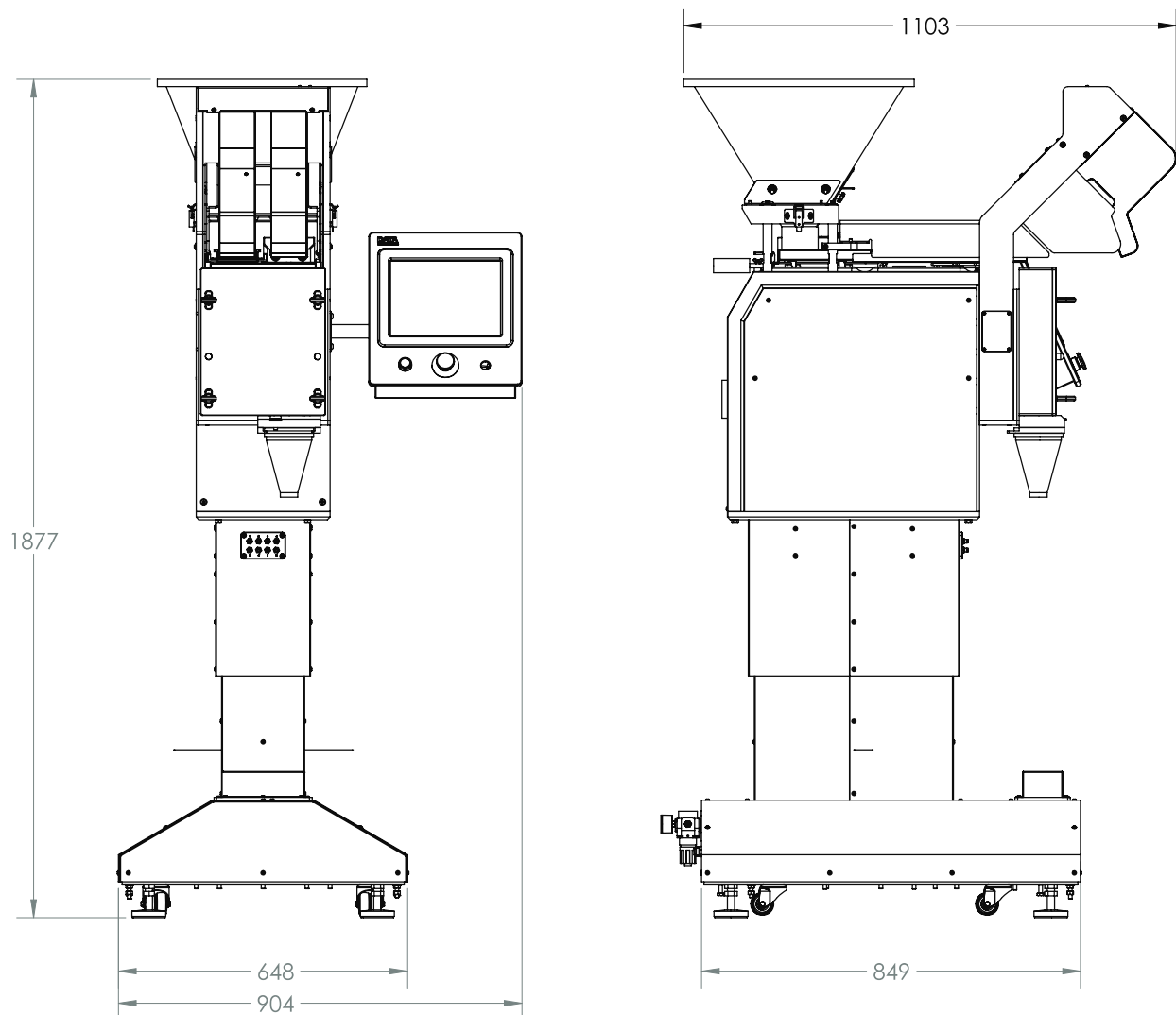
Optional features:

- Ionizer
- Diving funnels
- Change part for large counts
- External UPS
- Lift Table



Technical data (Bulk tablet Counter unit)

Production Max Output (subject to trial confirmation)	Bottles/min (100 count)	40
	Bottles/min (<60 count)	45
	Bottles/min (1000 count)	8
Bottle Height	40-200 mm	
Tablet	Type	Tablets, Capsule
	Shape	Round, Oval
	Length	3-30 mm
	Diameter / Width	3-20 mm
Input voltage	115 / 230 VAC 50 / 60Hz	
Electrical connection	Single phase	
Power	1000W	
Machine dimensions	L	1103 mm
	W	300 mm (without PC)
	H	1877 mm



KEY FEATURES

Detection capabilities

The vision based system provides accurate and automatic broken tablet detection. The machine can detect broken pieces as small as 0.5mm. Once a rejected tablet is detected (due to either breakage or size variation), filling of that specific container is halted and the container is immediately sent to the reject station, saving time and money. Other detection capabilities are size variations and overlapping detection.



Counting accuracy

The ICU technology was developed as a technological solution rather than a mechanical one.

This means that products do not need to be split into separate lines, nor fed one by one at specific intervals, as is often the case in conventional counting systems. They are, in fact, counted in bulk.

Counting is carried out by advanced real-time mathematical vision-based algorithm, providing the most accurate counting results to date.



Dust insensitivity

The counting unit is separated from the tracks, which significantly reduces dust accumulation, moreover, the vision-based system incorporates a magnetic flap connection to minimize dust effects.

Once the dust accumulates on the counting unit, the system provides an alert. Cleaning takes no more than 15 seconds with no need to disassemble the counting unit which is not a contact part.



Automatic product setup

Automatic product calibration is performed when products are placed on a specially design calibration tool, and scanned by the camera. All tablet data (size, shape, etc.) is set automatically, resulting in a very simple and accurate new product setup procedure, avoiding costly human errors.



User-friendly PC based operation

The vision-based bulk counting machine is operated through a color, touch panel PC based system. Both internal and external machine functions are controlled through a single HMI in an unmatched standard.



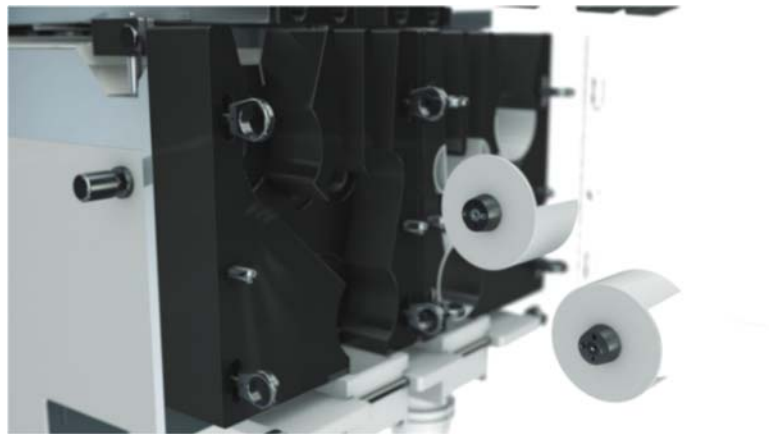
Gmp design with no blind spots

The machine design enables the operator to observe and follow each product unit from the hopper to the bottle, significantly reducing the risk of cross contamination.



Easy cleaning and changeover

With the vision-based system, all contact parts are designed for tool-free release in accordance with GMP design. The fastest existing cleaning process to date is enabled by the machine's small lightweight parts, the fact that the counting unit is separated from the track, and that contact parts regulation doesn't apply. A spare contact part kit enables a 5 minute changeover from one product to the next, compared to 1 hour in previous generation machines. Moreover, in-process cleaning is required only once every 8 hours and in extreme dust conditions.





When Speed & Accuracy Count



DATA Detection Technologies Ltd.

