

S SERIES

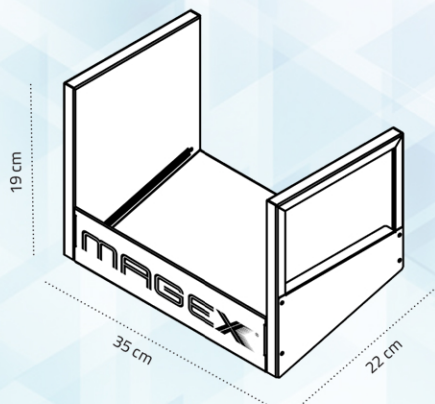
S9



The S9 features the latest in high end electronics distribution and sale in a completely secure system. Complete with a robotic delivery system suitable for the sale of any product including but not limited to: smartphones, tablets, printer cartridges, watches, computer accessories, cameras, video games and clothing. The kiosk comes equipped with a 22" HD touch screen display with 1920x1080p resolution. This screen provides a full products menu including product description, pictures and promotional video.

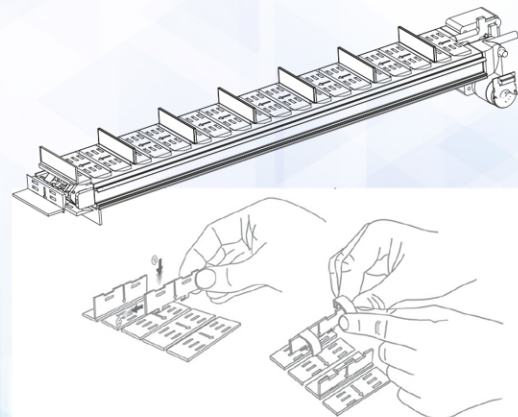
SHUTTLE DELIVERY SYSTEM

Product is delivered in the console area by a shuttle that dispenses the product carefully and accurately, thus allowing the sale of even the most fragile of products. The dimensions of the shuttle allow the machine to dispense rather large products like tablets, notebooks, take-away food containers and much more.



MAGEX LOADING SYSTEM

The S9 has maximum adaptability to distribute all types of product, this unique system allows lanes to be paired to accommodate products of different sizes. The system also has interlocking partitions to separate products that are next to one another. This allows complete control of specific lanes so you may dispense products of different sizes and shapes. The S9 also has a self-diagnostic system that will check the operating status of any particular lane prior to any disbursement of the product.



S SERIES

S9



MAGEX[®] USA
An Alps Innovations Group Company

S9 SPECS

Width : 54"/1374 mm

Depth : 37.2"/945 mm

Height : 83.3"/2116 mm

Weight (with 6 floors) : 350 kg

Maximum number of floors : 8

Maximum number of lanes : 9

Maximum facings per floor : 9

Lighting type : High luminosity LED (30W)

Power Supply : 240/50 Hz | 110V/60 Hz

Indoor temperature : 0/18° C

Energy consumption : 600 W

TECHNICAL SPECIFICATIONS

- Reinforced retrieval area
- Shatter proof resistant glass
- Console with independent opening
- Industrial computer with quad core processor
- Operating system installed with 32GB SSD
- LED lighting
- Modular shelf configuration
- Console locks isolated
- Self-diagnostic system
- Electronic multi-control
- Data and statistics management available in real time
- 22" touch screen monitor with 1920x1080 pixel resolution (optional 10" monitor)

OPTIONS

- Cashless/Credit/Debit Reader
- Cash: Note & Coin Reader and/or recycler
- Camera kit
- Graphic customization
- RFID loyalty card system
- Mobile App
- Cooling unit with digital temperature control
- Insulation for refrigeration
- More custom features available

REAL TIME DATA SERVICE

Magex provides to all its customers a service for the management of the vending machines updated in real time, connected via web and accessible from laptops, mobile phones etc. This allows you to view in real-time data of each sale, the product stock status, the coins/banknotes inserted or returned, automatic reboots and other functions. It also monitors the temperature inside the machine with visual graphics.

