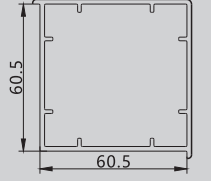
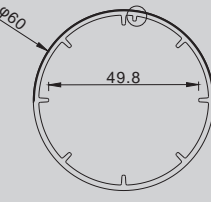
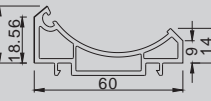
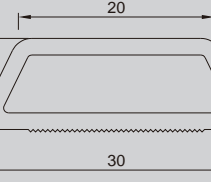
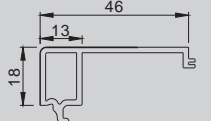
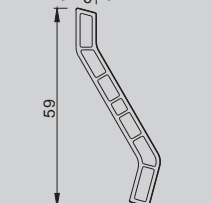

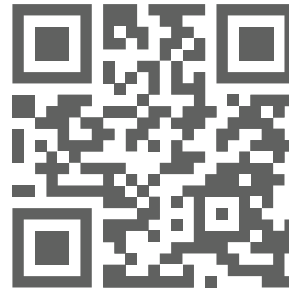


● JOINT SERIES


| S.no | CODE       | SECTION DRAWING   | DESCRIPTION                          | KG/M  | PCS/BUNDLE |
|------|------------|---|--------------------------------------|-------|------------|
| 32   | F60-ZJ(II) |    | 60mm Square Bay Pole                 | 0.812 | 4          |
| 33   | F-YG       |    | Round Tube (for Bay Window)          | 0.550 | 3          |
| 34   | F-WXZJ     |    | Flexible Bay Corner (for Bay Window) | 0.500 | 12         |
| 35   | F-ZST      |    | Georgian Bar                         | 0.177 | 20         |
| 36   | F-BYBT     |   | Louver Bead                          | 0.260 | 18         |
| 37   | F-DBYP(I)  |  | Blind Blade                          | 0.287 | 20         |
| 38   | F-BYTW-K   |  | Blind Blade Holder                   | 0.260 | 18         |



**Produced and Marketed By:**

**All India Distributor:**

**Srikanya Overseas**

 Sy. No. 707/2B, Opp. Nambur Railway Station, Warehouse-4 Pedakakani Mandal, Guntur, Andhra Pradesh-522509


 70309 00025, 26, 27, 28


 sales@woodplast.in

 www.woodplast.in

**Hyderabad Distributor:**

**Chaitra Enterprises**

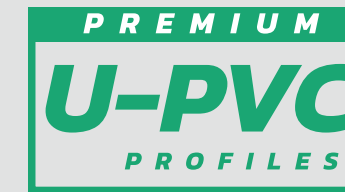
 3-92/A, Gandimaisamma Narsapur Road, Dundigal Near HP Petrol Bunk, Telangana-500043

 98483 20771, 88860 31494

 chaitraupvc@gmail.com



Chaitra's  
**WOODPLAST**  
German Technology



**Unique Selling Points (USPs):**

- 1 German Technology:** Advanced Engineering for Superior Performance.
- 2 Lead-Free Premium Ivory White:** Safe and Stylish with a High-end Finish.
- 3 Lightweight Yet Premium Quality:** Cost-effective per square foot due to its light weight, without compromising on Durability.
- 4 Enhanced UV Protection:** Features an additional UV layer, Exclusive in India, to significantly extend the Profile's Longevity.
- 5 20-Year Warranty:** Guarantees Long-term Quality and Reliability for peace of mind.



### 60 CASEMENT SERIES (THICKNESS 2.0MM)

| S.no | CODE        | SECTION DRAWING | DESCRIPTION                  | KG/M  | PCS/BUNDLE |
|------|-------------|-----------------|------------------------------|-------|------------|
| 1    | P60-K-X-R   |                 | Casement Frame               | 1.010 | 6          |
| 2    | P60-GDK-D-R |                 | Fixed Frame                  | 0.775 | 8          |
| 3    | P60-DY-R    |                 | Casement Single Glazing Bead | 0.314 | 24         |
| 4    | P60-WKS-R   |                 | Casement Window Sash         | 1.290 | 6          |
| 5    | P60-MSX-R   |                 | Casement Door Sash           | 1.530 | 4          |
| 6    | P60-ZT-X-R  |                 | Casement T-Mullion           | 1.160 | 6          |
| 7    | P50-MB(1)   |                 | Door Panel                   | 0.638 | 8          |

### 60 & 80 SLIDING SERIES (THICKNESS 2.0MM)

| S.no | CODE         | SECTION DRAWING | DESCRIPTION                         | KG/M  | PCS/BUNDLE |
|------|--------------|-----------------|-------------------------------------|-------|------------|
| 8    | CF-T60-LGK   |                 | 60 Sliding Frame                    | 0.909 | 6          |
| 9    | CF-T80-PK(I) |                 | 80mm Sliding Frame                  | 1.138 | 4          |
| 10   | CF-T60-S-R   |                 | 58mm Height Sliding Sash            | 0.761 | 8          |
| 11   | T80-DY-R     |                 | Single Glazing Bead                 | 0.220 | 20         |
| 12   | T80-FBB(1)   |                 | Interlock                           | 0.186 | 10         |
| 13   | T80-88-DSS   |                 | Mosquito Mesh                       | 0.450 | 12         |
| 14   | T80-ST       |                 | 80mm Series Sash Mullion            | 0.530 | 8          |
| 15   | T80-SSLJ(I)  |                 | Inline Adaptor for 80mm Series Sash | 0.270 | 20         |

### 62 & 88 & 112 SLIDING SERIES (THICKNESS 2.0MM)

| S.no | CODE      | SECTION DRAWING | DESCRIPTION                    | KG/M  | PCS/BUNDLE |
|------|-----------|-----------------|--------------------------------|-------|------------|
| 16   | T60-KB    |                 | 62mm Sliding Frame             | 0.992 | 6          |
| 17   | T88-PK(J) |                 | 88mm Sliding Frame             | 1.280 | 4          |
| 18   | T112-K    |                 | 112mm Sliding Frame            | 1.600 | 4          |
| 19   | T88-S-R   |                 | 57mm Height Small Sliding Sash | 0.820 | 6          |
| 20   | T95-S-R   |                 | 66mm Height Big Sliding Sash   | 0.925 | 6          |
| 21   | T-MS-R    |                 | 88mm Height Sliding Door Sash  | 1.155 | 6          |
| 22   | T88-DY-R  |                 | Sliding Single Glazing Bead    | 0.260 | 20         |
| 23   | P70-SY-R  |                 | Single Glazing Bead            | 0.275 | 20         |

### 62 & 88 & 112 SLIDING SERIES (THICKNESS 2.0MM)

| S.no | CODE       | SECTION DRAWING | DESCRIPTION                               | KG/M  | PCS/BUNDLE |
|------|------------|-----------------|---|-------|------------|
| 24   | T88-FBB(1) |                 | Sliding Window Interlock (For small sash) | 0.215 | 10         |
| 25   | T-MFB-(1)  |                 | Sliding Door Interlock                    | 0.262 | 20         |
| 26   | T-DSS      |                 | Mosquito Mesh (2)                         | 0.633 | 12         |
| 27   | T88-ST     |                 | 88mm Series Sash Mullion                  | 0.630 | 6          |
| 28   | T88-SSLJ   |                 | Inline Adaptor for 88mm Series Sash       | 0.300 | 20         |

### JOINT SERIES

| S.no | CODE      | SECTION DRAWING | DESCRIPTION      | KG/M  | PCS/BUNDLE |
|------|-----------|-----------------|------------------|-------|------------|
| 29   | F-GMT     |                 | Coupling         | 0.108 | 20         |
| 30   | F60-80-PB |                 | 60-80mm Coupling | 0.400 | 10         |
| 31   | F60-88-PB |                 | 60-88mm Coupling | 0.433 | 10         |