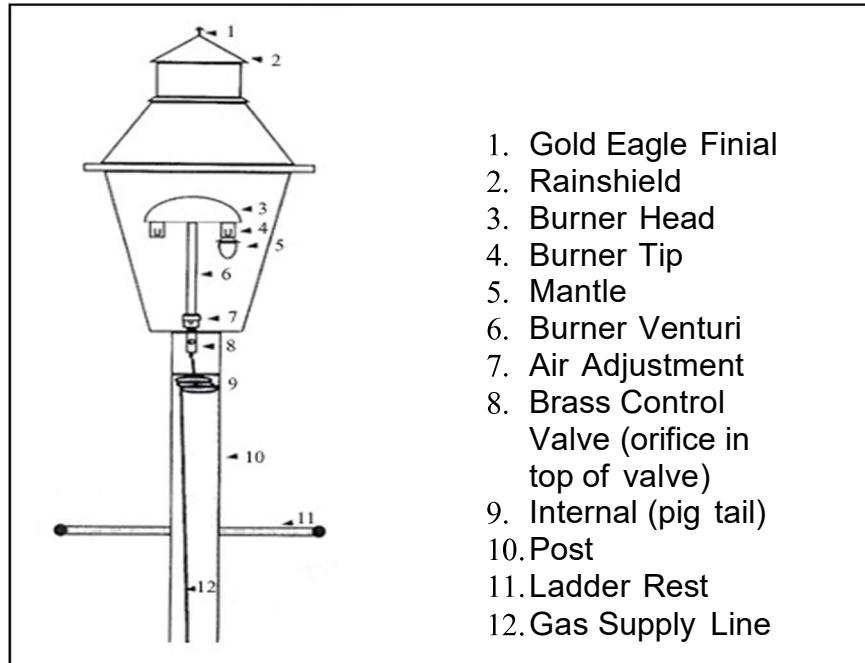


# Lantern Ridge Community Association, Inc

## How to Replace Gas Light Mantles

### & Other Gas Light Trouble-Shooting Tips

(updated 2017)



*It is easy to replace your mantles yourself – just refer to the above diagram and follow these guidelines. Operational tips on the following page.*

#### Steps to Replacing Mantles

1. Make sure gas supply is turned off to the gas light and allow the light head to cool down about 1 hour. While you can usually shut it off with the valve at your gas meter, the easiest way is to turn it off at the lantern itself using the setscrew located in a hole at the base of the lantern fixture where it attaches to the pole. Use a screwdriver to turn the screw-valve (8) on or off.
2. Remove one pane of glass. Glass slides up toward top, then tilt to remove out of opening.
3. Remove the ceramic ring mantles (5) from burner tips by gently lifting the ring and turning 1/4 turn until they drop down. Clean out any bug carcasses from the bottom of the lamp housing.
4. Hang new rings and mantles (see next section) on the light and gently tug the fabric to unfold it.
5. Pre-burn (light) the mantles with the gas turned off and allow them to go out and cool.
6. Without touching the mantles - turn on the gas and relight mantles.
7. Reinsert glass pane.

# Lantern Ridge Community Association, Inc

## How to Replace Gas Light Mantles & Other Gas Light Trouble-Shooting Tips

(updated 2017)

### Where do I purchase new gas lantern mantles?

The gas mantles installed on most (if not all) of the Lantern Ridge lanterns have the mantle attached to a ceramic ring.

You can either tie on new "Coleman style lantern mantles" to the existing ceramic rings, or mantles can be purchased already tied to ceramic rings. Both types of mantles can be purchased at Hardware stores such as Ace Hardware Store, but don't expect to find them at Lowe's or Home Depot. Only the standard Coleman lantern "string-tie" mantles (#21 sock style; no ceramic ring attached) are sold by Wal-Mart / Academy / REI in their respective camping supplies area. These appear to be a bit smaller than the replacement mantles with the ceramic ring and may not give off quite as much light but are the least expensive option.

Mantles and other gas light replacement parts may also be obtained on the web, for example:

[www.gaslights.com](http://www.gaslights.com)

[www.gasproductscompany.com](http://www.gasproductscompany.com)

[www.cgproducts.com](http://www.cgproducts.com)

### Operational Tips for Gas Lights

Keep sprinkler systems from spraying gas light heads. Tap water and the minerals it contains, cause a mineral deposit which is very hard to clean. Sprinkler systems can also spray into the bottoms of the gas light heads causing the mantles to break, valves to freeze up and internals rusting inside the post.

Putting a small flowerbed or rock garden around the base of the post will protect the post from weed eaters & lawnmowers bumping into the post causing the paint to chip and rust as well as breaking the mantles by shaking the lamp. ***Vibration is the leading cause of premature mantle failure!***

Before repainting a gas light head, wipe the lamp head down with a vinegar and water mixture to allow the paint to bond better to the metal (steel wool will remove any paint flaking before painting).

Be sure to use a high temperature paint rated to at least 1000<sup>o</sup>F when painting gas lights! One such product is *Derusto Heat Master Enamel* (product code #52460830 BBQ & Stove Black). Lowe's and Home Depot or any local hardware store will have a similar paint product. Consider a professional painter. The overall appearance of your gas light is very important.

# Lantern Ridge Community Association, Inc

## How to Replace Gas Light Mantles & Other Gas Light Trouble-Shooting Tips

(updated 2017)

### Trouble-Shooting Common Gas Light Problems

#### **IF THE LIGHT HEAD IS NOT GETTING ANY GAS...**

Make sure the gas is turned on at the source. Make sure the gas is turned on in the gas light head. If the brass handle or screw slot on the valve (8) is vertical the valve is on, if horizontal it's off.



*The most common cause of blockage is insects!*

Check for blockage in the burner. Many times, if a light has been off for an extended amount of time insects will build nests or webs within the burner head (3), burner venturi (6), or burner tips (4). Check for insects which may be blocking the air adjustment holes (7) or orifice by inserting a pipe cleaner or similar flexible object into the burner tips and up from the air adjustment hole into the burner venturi.

For blockage of the orifice, insert a small piece of wire into the hole or better yet, remove and blow through the orifice. (8)

Check gas internal (9) for crimps in the line. This usually only happens when the light is new, not on existing installations that have worked properly before unless pole has been hit by an object.

If the line has been cut and water or debris has entered it, it may be necessary to blow out the line, with the lamp head uninstalled and the gas line open at both ends, blow out or pressurize the line with an air compressor. Small leaks in the line can allow moisture and dirt to enter the line and clog it which natural gas pressure alone can remove.

If still no gas is getting to the light, have a qualified service department check the light.

#### **IF GAS LIGHT IS GETTING GAS BUT WON'T LIGHT...**

Refer to steps above. It is possible for a light to be getting small amounts of gas, but not enough to be lit. Adjust air mixture on burner venturi (7) to allow only 1/3 - 1/2 of the opening.

#### **IF THE GAS LIGHT KEEPS GOING OUT...**

Check for gas leaks, small pockets of air getting into the line can cause the gas light to go out. Make sure the burner head is secure & tight onto the burner venturi (6).

Clean all bug screens, top and bottom. If the screens are covered or blocked, the light will smother itself out due to a lack of oxygen for combustion.