



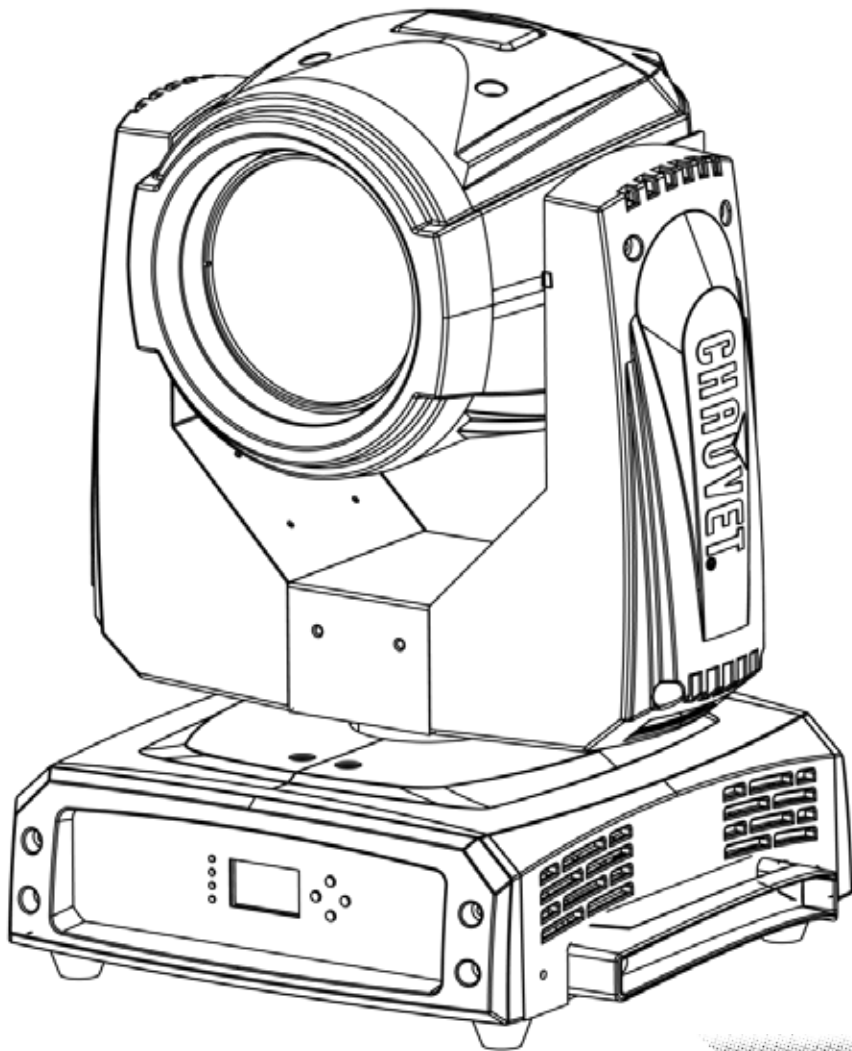
# *Legend*<sup>TM</sup>

*2305R  
BEAM*

---

## User Manual

---



**CHAUVET**<sup>®</sup>  
PROFESSIONAL

**Edition Notes** The Legend™ 230SR Beam User Manual Rev. 5 covers the description, safety precautions, installation, programming, operation, and maintenance of the Legend™ 230SR Beam. Chauvet released this edition of the Legend™ 230SR Beam User Manual in April 2015.

**Trademarks** CHAUVET® is a registered trademark of CHAUVET & Sons, LLC. (d/b/a CHAUVET® or Chauvet). The CHAUVET® logo in its entirety including the Chauvet name and the dotted triangle, and all other trademarks on this manual pertaining to services, products, or marketing statements are owned or licensed by Chauvet. Any other product names, logos, brands, company names, and other trademarks featured or referred to within this document are the property of their respective trademark holders.

**Copyright Notice** Chauvet owns the content of this user manual in its entirety, including but not limited to pictures, logos, trademarks, and resources.

© **Copyright 2015 Chauvet. All rights reserved.**

Electronically published by Chauvet in the United States of America.

**Manual Usage** Chauvet authorizes its customers to download and print this manual for professional information purposes only. Chauvet expressly prohibits the usage, copy, storage, distribution, modification, or printing of this manual or its content for any other purpose without its written consent.

**Document Printing** For best results, print this document in color, on letter size paper (8.5 x 11 inches), double sided. If using A4 paper (210 x 297 mm), configure your printer to scale the content accordingly.

**Disclaimer** Chauvet believes that the information contained in this manual is accurate in all respects. However, Chauvet assumes no responsibility for any error or omissions in this document. Chauvet reserves the right to revise this document and to make changes from time to time in the content hereof without obligation of Chauvet to notify any person or company of such revision or changes. This does not constitute in any way a commitment by Chauvet to make such changes. Chauvet may issue a revision of this manual or a new edition of it to incorporate such changes.

**Document Revision** The Legend™ 230SR Series User Manual, Rev. 5, supersedes all previous versions of this manual. Please discard any older versions of this manual you may have, whether in printed or electronic format, and replace them with this version.

Author	Date	Editor	Date
D. Coupe	4/21/15	M. Trouard	4/21/15

# Table of Contents

<b>1. Before You Begin .....</b>	<b>1</b>
What Is Included.....	1
Claims .....	1
Manual Conventions .....	1
Symbols .....	1
Product at a Glance.....	1
Safety Notes .....	2
Personal Safety.....	2
Mounting and Rigging .....	2
Power and Wiring.....	2
Operation .....	2
<b>2. Introduction .....</b>	<b>3</b>
Product Description .....	3
Features .....	3
Product Overview .....	4
Product Dimensions .....	5
<b>3. Setup .....</b>	<b>6</b>
AC Power .....	6
AC Plug.....	6
Fuse Replacement.....	6
DMX Linking .....	6
DMX Modes .....	6
Gobo Wheel.....	7
Color Wheel.....	7
Lamp Replacement .....	8
Procedure .....	8
Procedure (cont.) .....	9
Increasing the Lamp's Life .....	9
Lamp Adjustment .....	10
Mounting.....	11
Orientation .....	11
Rigging.....	11
<b>4. Operation .....</b>	<b>12</b>
Control Panel Description.....	12
LCD Display.....	12
Control Options .....	12
Programming.....	12
Navigation Buttons.....	12
DMX Functions.....	12
Product Settings.....	13
Lamp Settings .....	13
Display Settings .....	14
Fixture Tests .....	15
Fixture Information .....	15
Reset Functions .....	15
Special Functions.....	16
Offset Mode .....	16
Entering Offset Mode .....	16

## Table of Contents

---

Menu Map.....	18
Menu Map (cont.) .....	19
DMX Values.....	20
DMX Values (cont.) .....	21
DMX Values (cont.) .....	22
DMX Values (cont.) .....	23
DMX Values (cont.) .....	24
<b>5. Technical Information .....</b>	<b>25</b>
Product Maintenance .....	25
Error Messages .....	26
<b>6. Technical Specifications.....</b>	<b>27</b>
Returns .....	28
<b>Contact Us .....</b>	<b>Error! Bookmark not defined.</b>

# 1. Before You Begin

## What Is Included

- Legend™ 230SR Beam
- Neutrik® powerCON® power cord (bare-wire)
- 2 Omega brackets with mounting hardware
- Warranty Card
- Quick Reference Guide

## Claims

Carefully unpack the product immediately and check the box to make sure all the parts are in the package and are in good condition.




If the box or the contents (the product and included accessories) appear damaged from shipping or show signs of mishandling, notify the carrier immediately, not Chauvet. Failure to report damage to the carrier immediately may invalidate your claim. In addition, keep the box and contents for inspection.

For other issues, such as missing components or parts, damage not related to shipping, or concealed damage, file a claim with Chauvet within 7 days of delivery.

## Manual Conventions

Convention	Meaning
1–512	A range of values in the text
50/60	A set of mutually exclusive values in the text
<SET>	A button on the product’s control panel
Settings	A product function or a menu option
<b>MENU&gt;Settings</b>	A sequence of menu options
<b>1–10</b>	A range of menu values from which to choose in a menu
Yes/No	A set of two mutually exclusive menu options in a menu
ON	A unique value to be entered or selected in a menu

## Symbols

Symbols	Meaning
	Critical installation, configuration, or operation information. Failure to comply with this information may cause the product not to work, damage third-party equipment, or cause harm to the operator.
	Important installation or configuration information. Failure to comply with this information may keep the product from working.
	Useful information.



The term “DMX” used throughout this manual refers to the USITT DMX512-A digital data transmission protocol.

## Product at a Glance

Use on Dimmer	X	Auto Programs	P
Outdoor Use	X	Auto-Ranging Power Supply	P
Sound-Activated	X	Replaceable Fuse	P
DMX	P	User-Serviceable	X
Master/Slave	X	Duty Cycle	X



## Safety Notes

**Product must be placed so that any objects being hit by the beam of light are at least 40 feet (12.2 meters) away!**

Please read the following Safety Notes carefully before starting to work with the product. These notes provide important safety information about the installation, usage, and maintenance.



**This product contains no user-serviceable parts. Any reference to servicing in this User Manual will only apply to properly trained Chauvet certified technicians. Do not open the housing or attempt any repairs.**



**Please refer to all applicable local codes and regulations for the proper installation of the product.**

## Personal Safety

- Avoid direct eye exposure to the light source while the product is on.
- Do not turn product on without a lamp!
- Always disconnect this product from its power source before servicing.
- Always connect this product to a grounded circuit to avoid the risk of electrocution.
- Do not touch this product's housing during operation because it may be very hot.

## Mounting and Rigging

- This product is for indoor use only! To prevent risk of fire or shock, do not expose this product to rain or moisture.
- This product weighs 41.3 lb (18.73 kg). Always ask for help when mounting this product to avoid personal injuries or damage to the product.
- CAUTION: When transferring product from extreme temperature environments, (e.g. cold truck to warm humid ballroom) condensation may form on the internal electronics of the product. To avoid causing a failure, allow product to fully acclimate to the surrounding environment before connecting it to power.
- Make sure there are no flammable materials close to this product while it is operating.
- When hanging this product, always secure to a fastening device using a safety cable.
- Always carry this product by the handles. Do not carry from the head.

## Power and Wiring

- Always make sure you are connecting this product to the proper voltage in accordance with the specifications in this manual or on the product's specification label.
- To eliminate unnecessary wear and improve its lifespan, during periods of non-use completely disconnect the product from power via breaker or by unplugging it.
- Never connect this product to a dimmer pack or rheostat.
- Never disconnect this product by pulling or tugging on the power cable.

## Operation

- Do not operate this product if you see damage to the housing, lenses, ultraviolet filter, or cables. Have the damaged parts replaced by an authorized technician at once.
- Do not cover the ventilation slots when operating to avoid internal overheating.
- Do not aim this product toward the Sun. The lenses could concentrate the solar energy and cause internal overheating.
- Do not aim this product toward fire sprinkler head or alarms. The beam could heat up the sensors causing them to go off.
- Mount this product in a location with adequate ventilation, at least 40 ft (12.2 m) from objects to be lit.
- The maximum ambient temperature is 113 °F (45 °C). Do not operate this product at a higher temperature.
- In case of a serious operating problem, stop using this product immediately!



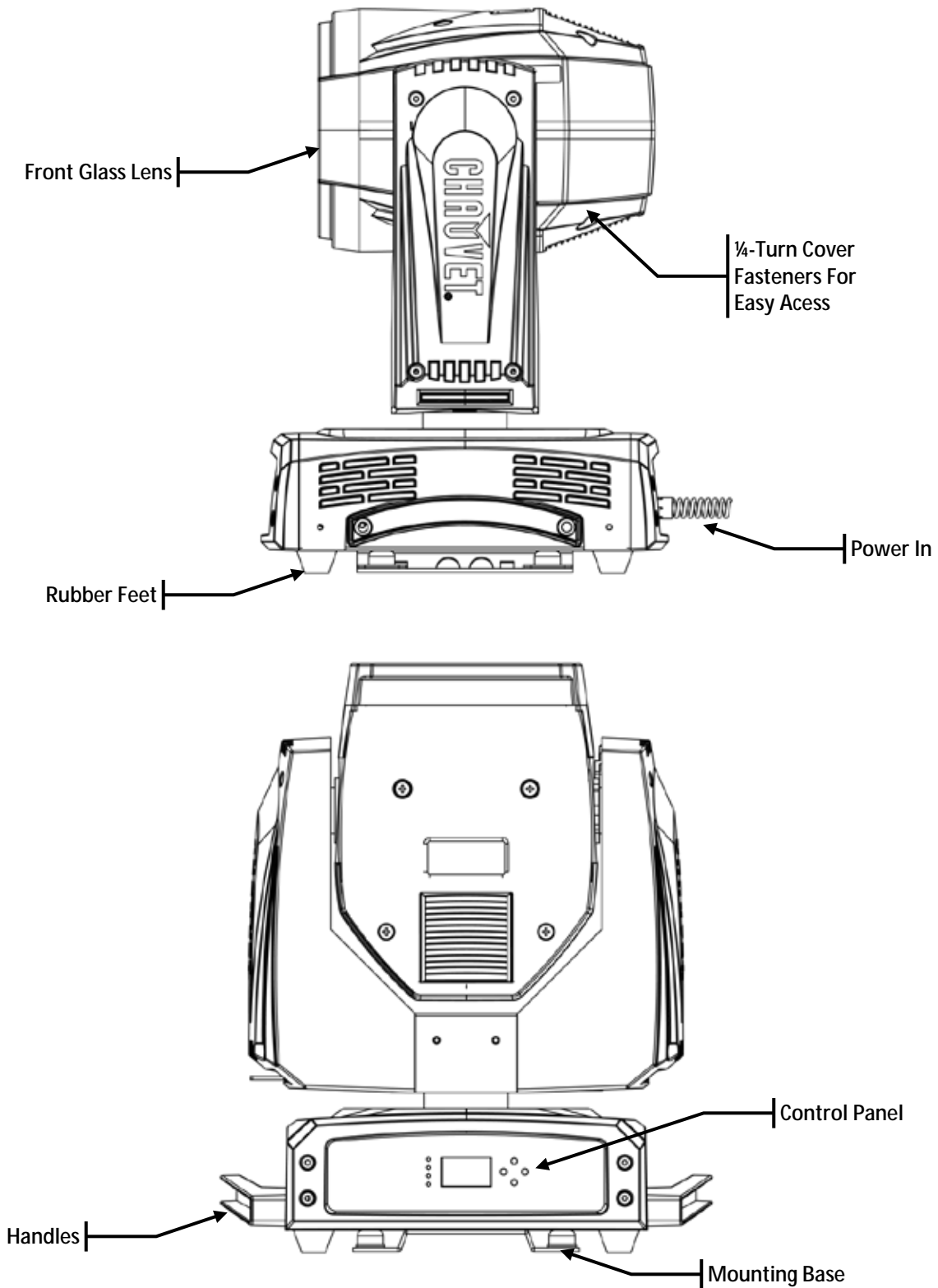
**In the unlikely event that your Chauvet product may require service, contact Chauvet Technical Support.**

## 2. Introduction

**Product Description** The Legend™ 230SR Beam is a compact, electronic, moving yoke beam product equipped with a 230 W HID lamp. It includes a color wheel with 14 slots plus open. It also includes a rotating 8-facet prism, remote focus, and one gobo wheel with 17 static gobos plus open.

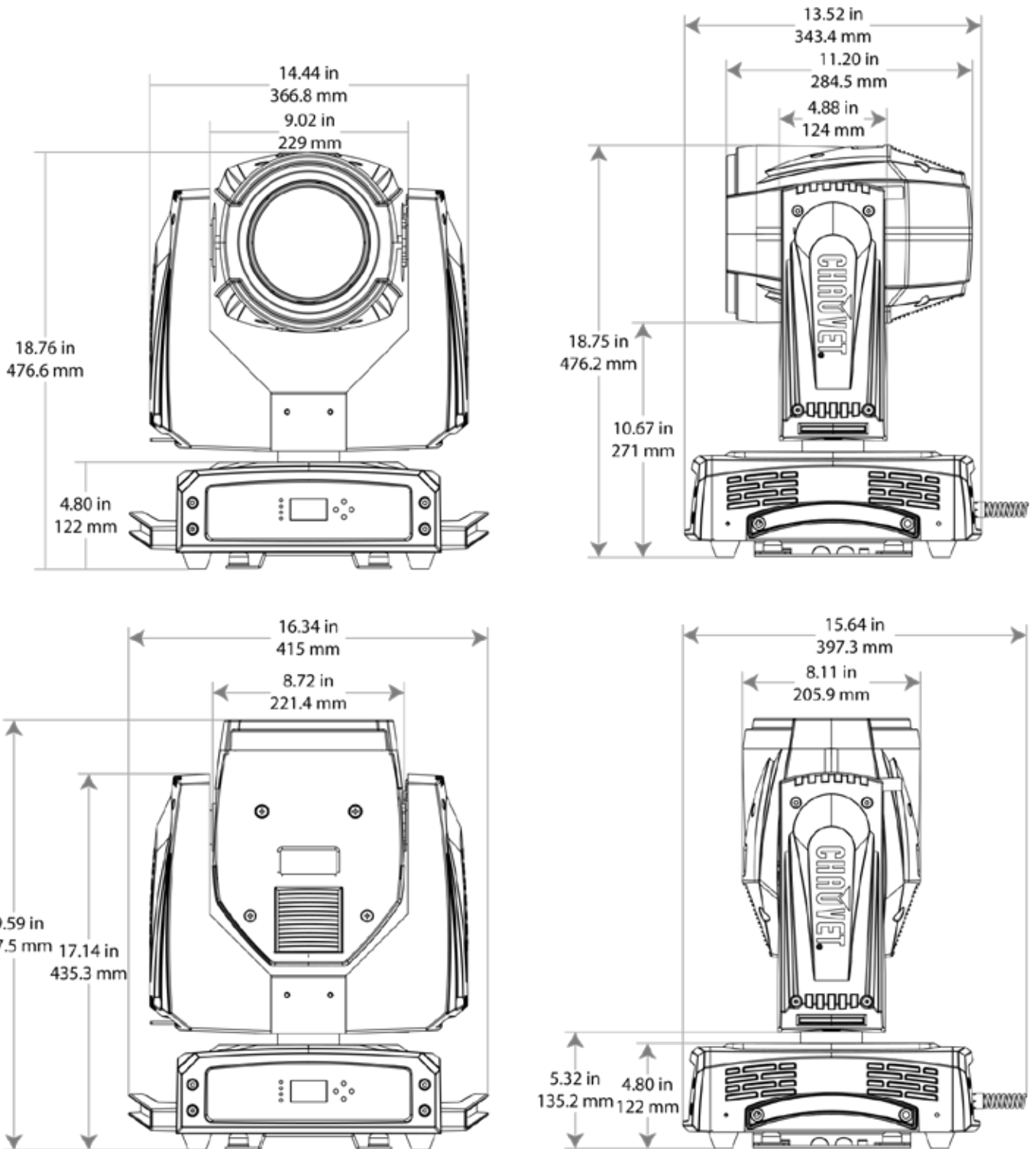
- Features**
- Compact, moving yoke beam fixture with a zoomable prism and motorized focus
  - Uses an Osram Sirius 230 W lamp source with a rated 2,500-hour lamp life
  - Precision-designed optics for hard-edged beam effects
  - Extremely quiet for operation in any situation
  - Fast and precise pan/tilt
  - Color wheel:
    - 14 colors + Open
    - CTO - Split/linear colors
    - Rainbow color spin at variable speed
  - Gobo wheel:
    - 17 gobos + Open
    - Gobo wheel spin at variable speed
  - Variable frost
  - 8-facet rotating prism with zoom for stunning effects
  - Lightweight and easy to hang
  - DMX channels: 15 or 18
  - Pan: 540°
  - Tilt: 270°
  - Reset over DMX
  - Electronic power supply
  - Mechanical dimmer
  - 3- and 5-pin DMX input and output connectors

## Product Overview





**Product Dimensions**



## 3. Setup

### AC Power

Each Legend™ 230SR Beam has an auto-ranging power supply that works with an input voltage range of 100–240 VAC, 50/60 Hz. To determine the power requirements for each Legend™ 230SR Beam, refer to the label affixed to the product. You can also refer to the [Technical Specifications](#).

The listed current rating indicates the maximum current draw during normal operation. For more information, you may download Sizing Circuit Breakers from the Chauvet website: [www.chauvetprofessional.com](http://www.chauvetprofessional.com).



- **Always connect this product to a protected circuit with an appropriate electrical ground to avoid the risk of electrocution or fire.**
- **To eliminate unnecessary wear and improve its lifespan, during periods of non-use completely disconnect the product from power via breaker or by unplugging it.**



**Never connect this product to a rheostat (variable resistor) or dimmer circuit, even if the rheostat or dimmer channel serves only as a 0 to 100% switch.**

### AC Plug

The Legend™ 230SR Beam comes with a bare-ended power input cord. The product side of this power cord enters the product through a strain reliever (rubber boot) and it cannot be disconnected from the product. Use the table below to wire the plug to the power cord.

Connection	Wire (U.S.)	Wire (Europe)	Screw Color
AC Live	Black	Brown	Yellow or Brass
AC Neutral	White	Blue	Silver
AC Ground	Green/Yellow	Green/Yellow	Green



**Make sure to disconnect the product's power cord before replacing a blown fuse. Always replace with a fuse of the same type and rating.**

### Fuse Replacement

1. Disconnect this product from power.
2. Using a Phillips #2-head screwdriver, unscrew the fuse holder cap from the housing.
3. Remove the blown fuse and replace with a fuse of the same type and rating (T 5 A, 250 V).
4. Screw the fuse holder cap back in place and reconnect power.

### DMX Linking

You can link the Legend™ 230SR Beam to a DMX controller using a standard DMX serial connection. If using other DMX compatible products with the Legend™ 230SR Beam, you can control each individually with a single DMX controller.

### DMX Modes

The Legend™ 230SR Beam uses the standard DMX data connection for the 15 and 18 channel DMX modes.

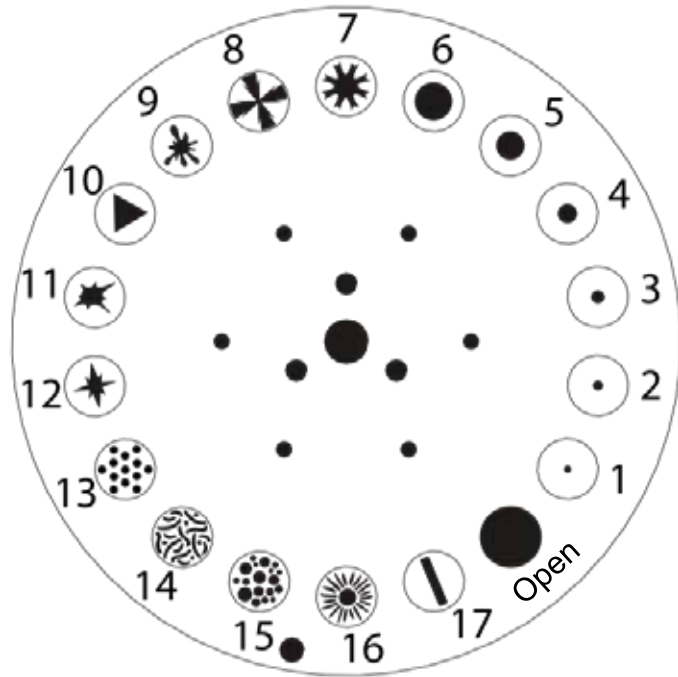
- Refer to the [Introduction](#) for a brief description of these modes.
- Refer to [Operation](#) to learn how to configure the Legend™ 230SR Beam to work in these modes.
- The [DMX Values](#) section will provide detailed information regarding the DMX modes.



**If you are not familiar with or need more information about DMX standards, Master/Slave connectivity, or the DMX cables needed to link this product to a DMX controller, download the DMX Primer from the Chauvet website: [www.chauvetprofessional.com](http://www.chauvetprofessional.com).**

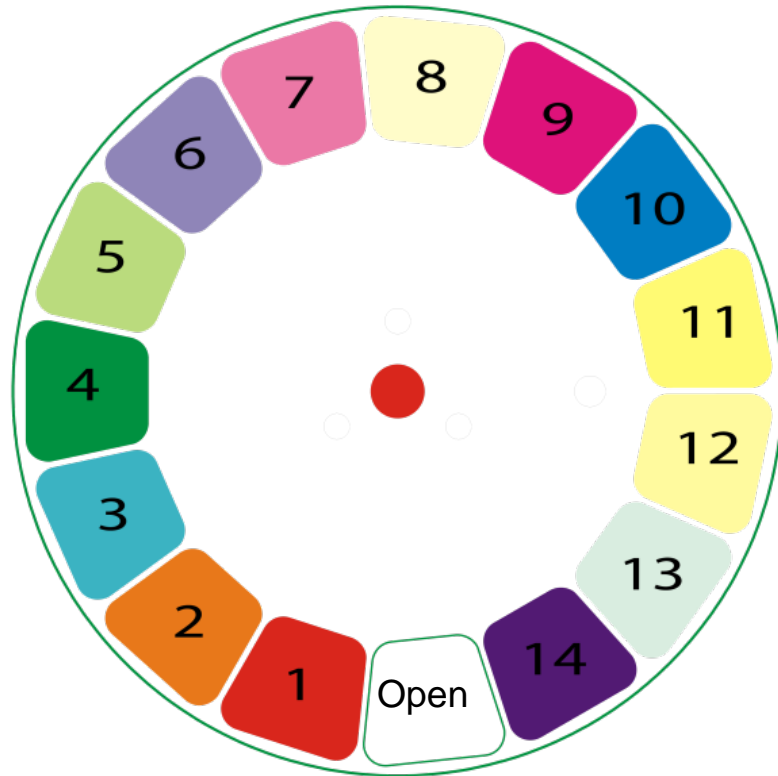
**Gobo Wheel**

The Legend™ 230SR Beam includes one gobo wheel with 17 fixed gobos. The diagram shows the gobo number on the wheel, as numbered in the [DMX Values](#) tables.



**Color Wheel**

The Legend™ 230SR Beam includes one color wheel with 14 fixed colors, as indicated below. The diagram shows the color number on the wheel, as numbered in the [DMX Values](#) tables.



## Lamp Replacement

The Legend™ 230SR Beam is equipped with an Osram Sirius 230W lamp. Follow the procedure below to safely change the lamp.



**Disconnect the product from the AC power before opening.**

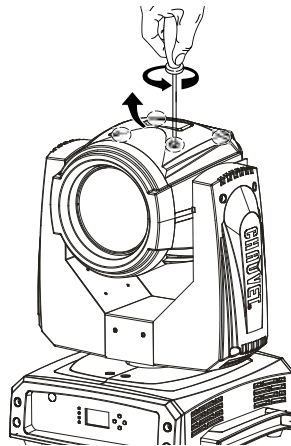


**Do not turn product on without a lamp!**

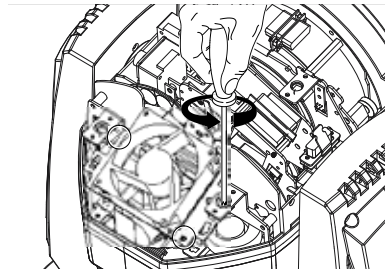
### Procedure



1. Turn the product off and disconnect it from power. Wait at least 15 minutes for the lamp to cool down.

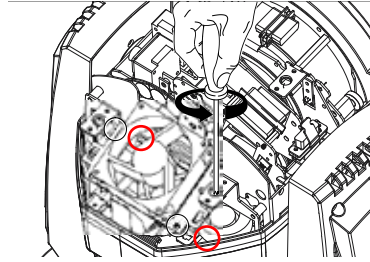


2. Remove both head covers by removing 8 Phillips-head ¼-turn screws.

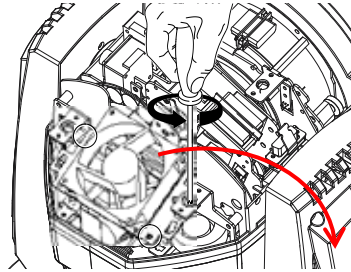


3. Orient the bottom of the moving head so that the fan is facing upward.

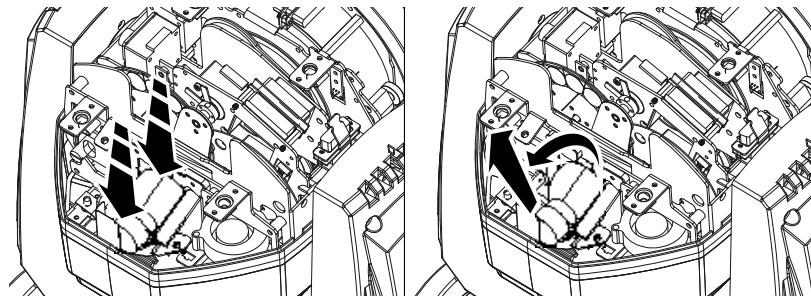
Procedure  
(cont.)



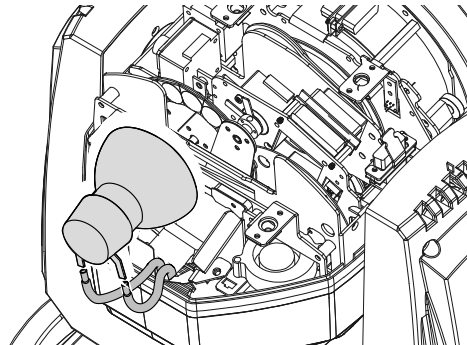
- Remove the 2 Phillips-head screws on the sides of the fan assembly.



- Roll the fan assembly to the right to expose the lamp.



- Using the lamp base, push the lamp down against the spring clips located on the bottom, then roll the lamp out the top.



- Remove the 2 wires connected to the lamp by the spade connectors.
- Reverse the steps above to install the new lamp.

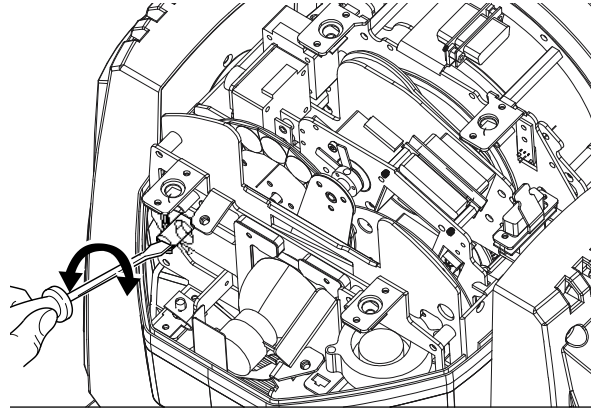
Increasing the Lamp's  
Life

- **ALWAYS** turn the lamp off by using the DMX controller or the product's control panel, then wait at least 5 minutes before switching off the product. This will keep the fans running to extract any remaining heat from the product's head.
- **DO NOT** power cycle the product unless it is necessary.
- **DO NOT** touch the lamp without wearing gloves to avoid leaving grease on the bulb or on the contacts that could reduce the lamp's life.
- **ALWAYS** change the lamp when it has reached its recommended lifespan to avoid the risk of lamp explosion.

## Lamp Adjustment

The Legend™ 230SR Beam allows for lamp adjustment or “bench focusing”. Follow the procedure below to safely adjust the lamp.

1. Follow steps 1 and 2 of the [Lamp Replacement Procedure](#).
2. Turn product on.
3. Orient the bottom of the moving head so that the fan is facing upward using DMX or as explained in [Manual Fixture Test](#).
4. Locate the Adjustment Screw as indicated in the figure below:



5. Turn the Adjusting Screw while viewing the light on a flat white surface to find desired focus.
6. Turn the product off and disconnect it from power. Wait at least 15 minutes for the lamp to cool down.
7. Re-attach both head covers by replacing all 8 Phillips-head ¼-turn screws.

**Mounting** Before mounting this product, read and follow the [Safety Notes](#). For our Chauvet line of mounting clamps, go to <http://trusst.com/products/>.

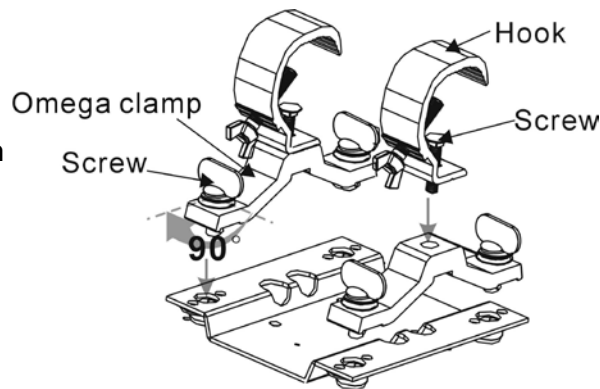
**Orientation** Always mount this product in a safe position and make sure there is adequate room for ventilation, configuration, and maintenance.

**Rigging** Chauvet recommends the following general guidelines when mounting this product.

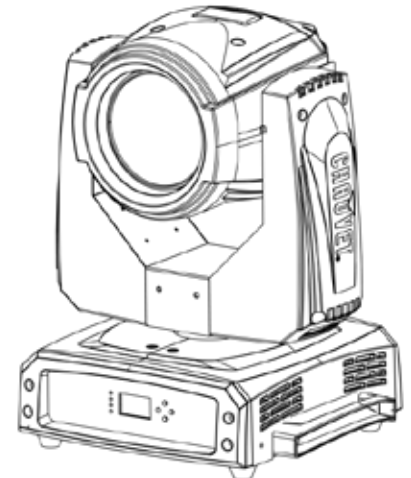
- When selecting an installation location, consider easy access to this product for operation, programming adjustments, and routine maintenance.
- Make sure to mount this product away from any flammable material as indicated in the [Safety Notes](#).
- Never mount in places where rain, high humidity, extreme temperature changes, or restricted ventilation may affect the product.
- If hanging this product, make sure that the mounting location can support the product's weight. Refer to the [Technical Specifications](#) chart for the weight-bearing requirements of this product.
- When hanging this product, always secure to a fastening device using a safety cable.

The Legend™ 230SR Beam comes with a preinstalled mounting bracket to which you will be able to attach the 2 included omega clamps. Use two mounting points per product. In addition, use a safety cable to link the product to the structure.

Product Mounting Diagram



Overhead Mounting



Floor Mounting

## 4. Operation

### Control Panel Description

Button	Function
<MENU>	Exits from the current menu or function
<ENTER>	Enables the currently displayed menu or sets the currently selected value in to the current function
<UP>	Navigates upward through the menu list and increases the numeric value when in a function
<DOWN>	Navigates downward through the menu list and decreases the numeric value when in a function

### LCD Display

The Legend™ 230SR Beam features a backlit liquid crystal display (LCD) that provides information regarding the product's settings and status. In addition, the LCD can be inverted. This allows ease of reading the display whether the product is positioned on the floor or hanging from a truss.

Upon power up, the LCD will show the Legend logo and the product identification. After completing the power up tests, the LCD will show the DMX address, the DMX mode, and the temperature, along with a warning sign if the tests have detected an error.



**Press <ENTER> to read the corresponding error message (see [Error Messages](#) in the [Technical Information](#) section).**

**To clear the error messages, press <ENTER> while they show on the display.**

### Control Options

You can set the Legend™ 230SR Beam start address in the 001–512 DMX range. This allows for the control of up to 28 products in the 18-channel Mode 2. The Legend™ 230SR Beam works with any compatible DMX controller using standard DMX cables.

### Programming

Carry out all the programming procedures indicated below from the control panel. Refer to the [Menu Map](#) page to learn how the menu options relate to each other.

### Navigation Buttons

- To enter programming mode, press <MENU> until you see one of the Main Level options.
- To highlight a menu option or to change a setting, press <UP> or <DOWN>.
- To change menu levels as shown in the [Menu Map](#), press <ENTER> or <MENU>. This is equivalent to moving right and left of the Menu Map, respectively.
- To accept the current or new value, press <ENTER>.
- To return to the previous menu without making changes, press <MENU>.
- To exit programming mode, press <MENU> until you see one of the Main Level options or do not press any button for 30 seconds.

### DMX Functions

From the Main Menu, highlight **DMX Functions** and press <ENTER> (a new menu with the DMX functions will open).

#### DMX Address

1. Highlight **DMX Address**.
2. To change the current address, press <ENTER>.
  - a. Change the starting address (**001–512**).
  - b. Accept the new value.

#### DMX Mode

1. Highlight **DMX Channel Mode**.
2. To change the current mode, press <ENTER>.
  - a. Select a DMX mode (Mode 1/Mode 2).
  - b. Accept the selected option.



- View DMX Values**
1. Highlight **View DMX Value**.
  2. Press **<ENTER>**.
    - a. Scroll along the list to see the values of all the current attributes.
    - b. Return to the previous menu.



**The list will show either 15 or 18 attributes, depending on the current DMX mode.**

## Product Settings

From the Main Menu, highlight **Fixture Settings** and press **<ENTER>**.

- Reverse Pan Direction**
1. Highlight **Pan Inverse**.
  2. To reverse the pan direction, press **<ENTER>**.
    - a. Select **YES** to reverse the pan direction or **NO** to use the normal pan direction.
    - b. Accept the selected option.
- Reverse Tilt Direction**
1. Highlight **Tilt Inverse**.
  2. To reverse the tilt direction, press **<ENTER>** (a pop-up window will open).
    - a. Select **YES** to reverse the tilt direction or **NO** to use the normal tilt direction.
    - b. Accept the selected option.
- P/T Feedback**
1. Highlight **P/T Feedback**.
  2. To select whether the product will auto correct itself when pan/ tilt is knocked out of position, press **<ENTER>**.
    - a. Select **YES** to turn on the auto correct or **NO** to turn off the auto correct.
    - b. Accept the selected option.
- Head Motion Blackout**
1. Highlight **Bl.o P/T Moving**.
  2. To black out the output when the head moves, press **<ENTER>**.
    - a. Select **YES** to black out the output when the head tilts or pans, or **NO** to keep the output on while the head moves.
    - b. Accept the selected option.
- Color Change Blackout**
1. Highlight **Bl.o Color Change**.
  2. To black out the output when the color wheel changes, press **<ENTER>**.
    - a. Select **YES** to black out the output during a color change or **NO** to keep the output on to see the color changing.
    - b. Accept the selected option.
- Gobo Change Blackout**
1. Highlight **Bl.o Gobo Change**.
  2. To black out the output when the gobo wheel changes, press **<ENTER>**.
    - a. Select **YES** to black out the output during a gobo change or **NO** to keep the output on to see the gobo changing.
    - b. Accept the selected option.

## Lamp Settings

From the Main Menu, highlight **Lamp Settings** and press **<ENTER>**.



**The lamp will not turn on if the ambient temperature is 104° F (40° C) or higher.**

- Lamp On/Off**
1. Highlight **On/Off**.
  2. To turn the lamp on or off, press **<ENTER>**.
    - a. Select **ON** to turn the lamp on or **OFF** to turn the lamp off.
    - b. Accept the selected option.
- Lamp Status During Power On**
1. Highlight **State/Power On**.
  2. To change the lamp status during power on, press **<ENTER>**.
    - a. Select **ON** to turn on the product and the lamp simultaneously or **OFF** to turn on the product without turning on the lamp.
    - b. Accept the selected option.

- Remote Turn Off**
1. Highlight **Off Via DMX**.
  2. To enable/disable remote turn off, press **<ENTER>**.
    - a. Select **YES** to enable product turn off from either a DMX controller or its power switch, or **NO** to turn the product off only from its power switch.
    - b. Accept the selected option.
- Lamp On if DMX Present**
1. Highlight **On if DMX On**.
  2. To turn the lamp on when DMX is present, press **<ENTER>**.
    - a. Select **YES** to turn the lamp on if DMX signal is present, or **NO** to turn the lamp on only from the control panel.
    - b. Accept the selected option.
- Lamp Off if DMX Absent**
1. Highlight **Off if DMX Off**.
  2. To turn the lamp off when DMX is absent, press **<ENTER>**.
    - a. Select **YES** to turn the lamp off if DMX signal is absent, or **NO** to turn the lamp off only from the control panel.
    - b. Accept the selected option.
- Lamp Strike Delay**
1. Highlight **Ignition Delay**.
  2. To set the lamp strike delay, press **<ENTER>**.
    - a. Select the delay before the lamp strikes after power up in seconds (**000–255S**).
    - b. Accept the new value.
- Fixture Shut Off Delay**
1. Highlight **Low Power Delay**.
  2. To set the lamp shut off delay, press **<ENTER>**.
    - a. Select the delay before the product powers off after lamp off in seconds (**000–255S**).
    - b. Accept the new value.
- Display Settings** From the Main Menu, highlight **Display Settings** and press **<ENTER>**.
- Overturn Display**
1. Highlight **Display Inverse**.
  2. To overturn the display, press **<ENTER>**.
    - a. Select **YES** to turn the LCD around or **NO** to keep the normal LCD view.
    - b. Accept the selected option.
- LCD Backlight Off**
1. Highlight **Backlight Auto Off**.
  2. To configure the LCD backlight, press **<ENTER>**.
    - a. Select **YES** to automatically turn the LCD backlight off after 1 minute or **NO** to keep the LCD backlight always on.
    - b. Accept the selected option.
- Backlight Brightness**
1. Highlight **Backlight Intensity**.
  2. To set the backlight brightness, press **<ENTER>**.
    - a. Select the backlight brightness (**1–10**), **1** being the darkest and **10** the brightest.
    - b. Accept the new value.
- Temperature Unit**
1. Highlight **Temperature Unit**.
  2. To select the temperature unit, press **<ENTER>**.
    - a. Select **°C** to show the temperature in the Celsius scale or **°F** to show the temperature in the Fahrenheit scale.
    - b. Accept the selected option.

**Fixture Tests** From the Main Menu, highlight **Display Settings** and press **<ENTER>**.

- Automatic Fixture Test**
1. Highlight **Auto Test**.
  2. To start the built-in test sequence, press **<ENTER>**.



**The automatic fixture test will end after 1 full cycle. You can stop the test by pressing <MENU>.**

- Manual Fixture Test**
1. Highlight **Manual Test** and press **<ENTER>**.
  2. Highlight the desired attribute.
  3. To change the value of the selected attribute, press **<ENTER>**.
    - a. Set the attribute value (**000–255**).
    - b. Accept the new value.
  4. Repeat steps 2 and 3 for the other attributes.
  5. When done with the test, exit to the previous menu (the values of all tested channels will go back to zero).

**Fixture Information** From the Main Menu, highlight **Fixture Information** and press **<ENTER>**.

- Fixture Operation Timer**
1. Highlight **Fixture Use Time** (the accumulated product's operation time will show).



**You cannot modify or reset the fixture operation timer.**

- Lamp Operation Timer**
1. Highlight **Lamp On Time** (the accumulated lamp's operation time will show).
  2. To reset the lamp operation timer, press **<ENTER>**.
    - a. Select **Reset Time** to reset the timer or **Exit** to exit without resetting.
    - b. Accept the selected option.

- Firmware Version**
1. Highlight **Firmware Version**.
  2. To see the firmware versions installed, press **<ENTER>**.
    - a. The display will show the current firmware version for each of the four CPU boards (A through D) in the product.
    - b. Return to the previous menu.

**Reset Functions** From the Main Menu, highlight **Reset** and press **<ENTER>**.



**You can leave this sub-menu at any time by pressing <MENU>.**

- Pan/Tilt Reset**
1. Highlight **Pan/Tilt** and press **<ENTER>**.
    - a. Select **YES** to reset the pan and tilt movements to their home positions.
    - b. Accept the selected option.
- Shutter/Prism Reset**
1. Highlight **Shutter/Prism** and press **<ENTER>**.
    - a. Select **YES** to reset the shutter and the prism to their home positions.
    - b. Accept the selected option.

- Color Reset
  1. Highlight **Color** and press **<ENTER>**.
    - a. Select **YES** to reset the color wheel and the CMY filters to their home positions.
    - b. Accept the selected option.
  
- Gobo Reset
  1. Highlight **Gobo** and press **<ENTER>**.
    - a. Select **YES** to reset the gobo wheel to its home position.
    - b. Accept the selected option.
  
- Zoom/Frost/Focus Reset
  1. Highlight **Zoom/Frost/Focus** and press **<ENTER>**.
    - a. Select **YES** to reset the zoom, focus, and frost to their home positions.
    - b. Accept the selected option.
  
- Reset All
  1. Highlight **All** and press **<ENTER>**.
    - a. Select **YES** to reset all moving optical parts and the moving head to their home positions.
    - b. Accept the selected option.

**Special Functions** From the Main Menu, highlight **Special Functions** and press **<ENTER>**.

- Fixture Maintenance Timers
  1. Highlight **Fixture Maintenance** and press **<ENTER>** (the current maintenance interval and remaining time will show).
  2. To change the maintenance interval timer, highlight **Interval** and press **<ENTER>**.
    - a. Select the new interval **10–300h** (in hours).
    - b. Accept the new value.
  3. To reset the counter for the remaining time, highlight **Remain Time** and press **<ENTER>**.
    - a. Select **Reset Time** to reset the timer or **Exit** to exit without resetting it.
    - b. Accept the selected option.



**It is a good idea to use the Fixture Maintenance timer as a reminder to change the lamp.**

- Fixture Defaulting
  1. Highlight **Factory Setting** and press **<ENTER>**.
    - a. Select **YES** to reset the product to factory default setting or **NO** to exit without resetting.

**Offset Mode** The Offset mode provides fine adjustments for the home position of all the moving parts in the optical path as well as the pan and tilt movements. This way, when in their home position, the moving parts do not show any border or reduce the light output.

- Entering Offset Mode**
  1. Press **<MENU>** to enter the regular Menu Mode.
  2. Press **<ENTER>** for more than 3 seconds to enter the Offset mode (the Offset mode menu will show).

- Pan
  1. Select **Pan** and press **<ENTER>**.
    - a. Select the new value **(-128–127)**.
    - b. Accept the new value.

- Tilt
  1. Select **Tilt** and press **<ENTER>**.
    - a. Select the new value **(-128–127)**.
    - b. Accept the new value.

- Shutter 1. Select **Shutter** and press **<ENTER>**.
  - a. Select the new value (**000–255**).
  - b. Accept the new value.
- Color 1. Select **Color** and press **<ENTER>**.
  - a. Select the new value (**-128–127**).
  - b. Accept the new value.
- Gobo 1. Select **Gobo** and press **<ENTER>**.
  - a. Select the new value (**-128–127**).
  - b. Accept the new value.
- Prism 1. Select **Prism** and press **<ENTER>**.
  - a. Select the new value (**000–255**) and press **<ENTER>**.
  - b. Accept the new value.
- R-Prism 1. Select **R-Prism** and press **<ENTER>**.
  - a. Select the new value (**-128–127**).
  - b. Accept the new value.
- Zoom 1. Select **Zoom** and press **<ENTER>**.
  - a. Select the new value (**000–255**).
  - b. Accept the new value.
- Focus 1. Select **Focus** and press **<ENTER>**.
  - a. Select the new value (**000–255**).
  - b. Accept the new value.
- Frost 1. Select **Frost** and press **<ENTER>**.
  - a. Select the new value (**000–255**).
  - b. Accept the new value.

## Menu Map

Main Level	Programming Levels		Description
DMX Functions	DMX Address	001–512	Selects a starting DMX address
	DMX Channel Mode	Mode 1 (15)	Selects the 15-channel DMX mode
		Mode 2 (18)	Selects the 18-channel DMX mode
	View DMX Value		Shows current DMX values for each channel
Fixture Setting	Pan Inverse	No	Defines the direction of the pan function
		Yes	
	Tilt Inverse	No	Defines the direction of the tilt function
		Yes	
	P/T Feedback	No	Defines auto correct function
		Yes	
	Bl.o. P/T Moving	No	Defines the pan/tilt move-in-black delay
		Yes	
	Bl.o. Color Change	No	Defines the color change move-in-black delay
		Yes	
	Bl.o. Gobo Change	No	Defines the gobo change move-in-black delay
		Yes	
Lamp Setting	On/Off	OFF	Turns lamp on/off
		ON	
	State/Power On	OFF	Defines the status of lamp when powering up product
		ON	
	Off Via DMX	No	Turns off the product via DMX controller
		Yes	
	On if DMX On	No	Turns lamp on when DMX signal is detected
		Yes	
	Off if DMX Off	No	Turns lamp off when DMX signal is lost
		Yes	
Ignition Delay	000–255S	Selects duration of delay between product power on and lamp power on	
Low Power Delay	000–255S	Selects the duration of delay when shutter is closed and lamp enters lower power state	
Display Setting	Display Inverse	No	Defines the direction of the display
		Yes	
	Backlight Auto Off	No	Sets display backlight to always be on
		Yes	Sets display backlight to turn off after 1 minute
	Backlight Intensity	1–10	Selects backlight intensity from 1–10
	Temperature Unit	°C	Defines how temperature is displayed
°F			

## Menu Map (cont.)

Main Level	Programming Levels		Description	
Fixture Test	Auto Test		Selects the product's automatic test sequence	
	Manual Test		Selects the product's manual test function	
Fixture Information	Fixture Use Time		Displays total hours of product's use	
	Lamp On Time	Exit	Displays the amount of time the lamp has been on	
		Reset Time	Resets lamp timer to 0	
	Firmware Version		Displays the firmware version	
Reset Functions	Pan/Tilt	No	Resets pan/tilt functions to home position	
		Yes		
	Shutter/Prism	No	Resets shutter/prism functions to home position	
		Yes		
	Color	No	Resets color wheel to home position	
		Yes		
	Gobo	No	Resets gobo wheel to home position	
		Yes		
	Zoom/Frost/Focus	No	Resets zoom/frost/focus functions to home position	
		Yes		
	All	No	Resets all functions to home position	
		Yes		
Special Functions	Fixture Maintenance	Interval	10–300 h	Defines number of hours between maintenance
		Remain Time	Exit	Shows amount of time remaining in maintenance cycle
			Reset Time	Resets maintenance timer
	Factory Setting	No	Sets product back to default factory settings	
Yes				

## DMX Values

Mode 1	Channel	Function	Value	Percent/Setting
	1	Pan	000 ó 255	0–100%
	2	Fine Pan	000 ó 255	0–100%
	3	Tilt	000 ó 255	0–100%
	4	Fine Tilt	000 ó 255	0–100%
	5	Pan/Tilt Speed	000 ó 255	0–100%
	6	Dimmer	000 ó 255	0–100%
	7	Shutter	000 ó 007 008 ó 015 016 ó 131 132 ó 167 168 ó 203 204 ó 239 240 ó 247 248 ó 255	No Function Open Slow to fast (strobe) Fast close/slow open Slow close/fast open Slow to fast (pulse effect) Random strobe Open
	8	Color Wheel	000 ó 004 005 ó 008 009 ó 012 013 ó 016 017 ó 020 021 ó 024 025 ó 028 029 ó 032 033 ó 036 037 ó 040 041 ó 044 045 ó 048 049 ó 052 053 ó 056 057 ó 060 061 ó 127 128 ó 189 190 ó 193 194 ó 255	Open Color 1 Color 2 Color 3 Color 4 Color 5 Color 6 Color 7 Color 8 Color 9 Color 10 Color 11 Color 12 Color 13 Color 14 Index/split color Clockwise rotation, fast to slow Stop Counter-clockwise rotation, slow to fast
	9	Gobo Wheel	000 ó 003 004 ó 006 007 ó 009 010 ó 012 013 ó 015 016 ó 018 019 ó 021 022 ó 024 025 ó 027 028 ó 030 031 ó 033 034 ó 036 037 ó 039 040 ó 042 043 ó 045 046 ó 048	Open Gobo 1 Gobo 2 Gobo 3 Gobo 4 Gobo 5 Gobo 6 Gobo 7 Gobo 8 Gobo 9 Gobo 10 Gobo 11 Gobo 12 Gobo 13 Gobo 14 Gobo 15



## DMX Values (cont.)

 Mode 1  
(cont.)

Channel	Function	Value	Percent/Setting
9	Gobo Wheel (cont.)	049 ó 051	Gobo 16
		052 ó 055	Gobo 17
		056 ó 059	Open shaking
		060 ó 063	Gobo 1 shaking
		064 ó 067	Gobo 2 shaking
		068 ó 071	Gobo 3 shaking
		072 ó 075	Gobo 4 shaking
		076 ó 079	Gobo 5 shaking
		080 ó 083	Gobo 6 shaking
		084 ó 087	Gobo 7 shaking
		088 ó 091	Gobo 8 shaking
		092 ó 095	Gobo 9 shaking
		096 ó 099	Gobo 10 shaking
		100 ó 103	Gobo 11 shaking
		104 ó 107	Gobo 12 shaking
		108 ó 111	Gobo 13 shaking
		112 ó 115	Gobo 14 shaking
116 ó 119	Gobo 15 shaking		
120 ó 123	Gobo 16 shaking		
124 ó 127	Gobo 17 shaking		
128 ó 189	Counter-clockwise rotation, fast to slow		
190 ó 193	Stop		
194 ó 255	Clockwise rotation, slow to fast		
10	Prism	000 ó 004	No Function
		005 ó 255	Prism effects
11	Prism Rotation	000 ó 127	Index
		128 ó 189	Clockwise rotation fast to slow
		190 ó 193	Stop
		194 ó 255	Counter-clockwise rotation slow to fast
12	Prism Zoom	000 ó 255	0–100%
13	Focus	000 ó 255	0–100%
14	Frost	000 ó 255	0–100%
15	Control	000 ó 029	No Function
		030 ó 039	Dimmer conventional mode
		040 ó 049	Dimmer linear mode
		050 ó 059	Pan/tilt fast mode
		060 ó 069	Pan/tilt normal mode
		070 ó 079	Pan/tilt blackout mode enabled
		080 ó 089	Pan/tilt blackout mode disabled
		090 ó 099	Color change blackout mode enabled
		100 ó 109	Color change blackout mode disabled
		110 ó 119	Gobo change blackout mode enabled
		120 ó 129	Gobo change blackout mode disabled
		130 ó 139	Lamp on
		140 ó 149	Pan/tilt reset
		150 ó 159	Color reset
		160 ó 169	Gobo reset
		170 ó 179	Shutter/prism reset
		180 ó 189	No Function
190 ó 199	Frost/focus/zoom reset		
200 ó 209	Reset all		

## DMX Values (cont.)

Mode 1 (cont.)	Channel	Function	Value	Percent/Setting
	15	Control (cont.)	210 ó 219 220 ó 229 230 ó 239 240 ó 255	Enable all movement blackout modes Disable all movement blackout modes Lamp off No Function
Mode 2	Channel	Function	Value	Percent/Setting
	1	Pan	000 ó 255	0–100%
	2	Fine Pan	000 ó 255	0–100%
	3	Tilt	000 ó 255	0–100%
	4	Fine Tilt	000 ó 255	0–100%
	5	Pan/Tilt Speed	000 ó 255	0–100%
	6	Dimmer	000 ó 255	0–100%
	7	Fine Dimmer	000 ó 255	0–100%
	8	Shutter	000 ó 007 008 ó 015 016 ó 131 132 ó 167 168 ó 203 204 ó 239 240 ó 247 248 ó 255	No Function Open Slow to fast (strobe) Fast close/slow open Slow close/fast open Slow to fast (pulse effect) Random strobe Open
	9	Color Wheel	000 ó 004 005 ó 008 009 ó 012 013 ó 016 017 ó 020 021 ó 024 025 ó 028 029 ó 032 033 ó 036 037 ó 040 041 ó 044 045 ó 048 049 ó 052 053 ó 056 057 ó 060 061 ó 127 128 ó 189 190 ó 193 194 ó 255	Open Color 1 Color 2 Color 3 Color 4 Color 5 Color 6 Color 7 Color 8 Color 9 Color 10 Color 11 Color 12 Color 13 Color 14 Index/split color Clockwise rotation, fast to slow Stop Counter-clockwise rotation, slow to fast
	10	Gobo Wheel	000 ó 003 004 ó 006 007 ó 009 010 ó 012 013 ó 015 016 ó 018 019 ó 021 022 ó 024 025 ó 027 028 ó 030	Open Gobo 1 Gobo 2 Gobo 3 Gobo 4 Gobo 5 Gobo 6 Gobo 7 Gobo 8 Gobo 9

## DMX Values (cont.)

Mode 2	Channel	Function	Value	Percent/Setting
	10	Gobo Wheel (cont.)	031 ó 033	Gobo 10
			034 ó 036	Gobo 11
			037 ó 039	Gobo 12
			040 ó 042	Gobo 13
			043 ó 045	Gobo 14
			046 ó 048	Gobo 15
			049 ó 051	Gobo 16
			052 ó 055	Gobo 17
			056 ó 059	Open
			060 ó 063	Gobo 1 shaking
			064 ó 067	Gobo 2 shaking
			068 ó 071	Gobo 3 shaking
			072 ó 075	Gobo 4 shaking
			076 ó 079	Gobo 5 shaking
			080 ó 083	Gobo 6 shaking
			084 ó 087	Gobo 7 shaking
			088 ó 091	Gobo 8 shaking
			092 ó 095	Gobo 9 shaking
			096 ó 099	Gobo 10 shaking
			100 ó 103	Gobo 11 shaking
	104 ó 107	Gobo 12 shaking		
	108 ó 111	Gobo 13 shaking		
	112 ó 115	Gobo 14 shaking		
	116 ó 119	Gobo 15 shaking		
	120 ó 123	Gobo 16 shaking		
	124 ó 127	Gobo 17 shaking		
	128 ó 189	Counter-clockwise rotation, fast to slow		
	190 ó 193	Stop		
	194 ó 255	Clockwise rotation, slow to fast		
	11	Prism	000 ó 004	No Function
			005 ó 255	Prism Effects
	12	Prism Rotation	000 ó 127	Index
			128 ó 189	Clockwise rotation, fast to slow
			190 ó 193	Stop
			194 ó 255	Counter-clockwise rotation, slow to fast
	13	Prism Zoom	000 ó 255	0–100%
	14	Focus	000 ó 255	0–100%
	15	Frost	000 ó 255	0–100%
	16	Pan/Tilt Macro	000 ó 007	No Function
			008 ó 015	Macro 1
			016 ó 023	Macro 2
			024 ó 031	Macro 3
			032 ó 039	Macro 4
			040 ó 047	Macro 5
			048 ó 055	Macro 6
			056 ó 063	Macro 7
			064 ó 071	Macro 8
			072 ó 079	Macro 9
	080 ó 087	Macro 10		

## DMX Values (cont.)

Mode 2 (cont.)	Channel	Function	Value	Percent/Setting
	16	Pan/Tilt Macro (cont.)	088 ó 095	Macro 11
			096 ó 103	Macro 12
			104 ó 111	Macro 13
			112 ó 119	Macro 14
			120 ó 127	Macro 15
			128 ó 135	Macro 16
			136 ó 143	Macro 17
			144 ó 151	Macro 18
			152 ó 159	Macro 19
			160 ó 167	Macro 20
			168 ó 175	Macro 21
			176 ó 183	Macro 22
			184 ó 191	Macro 23
			192 ó 199	Macro 24
			200 ó 207	Macro 25
			208 ó 215	Macro 26
			216 ó 223	Macro 27
			224 ó 231	Macro 28
			232 ó 239	Macro 29
			240 ó 247	Macro 30
248 ó 255	Macro 31			
	17	Pan/Tilt Macro Speed	000 ó 255	0–100%
	18	Control	000 ó 029	No Function
			030 ó 039	Dimmer conventional mode
			040 ó 049	Dimmer linear mode
			050 ó 059	Pan/tilt fast mode
			060 ó 069	Pan/tilt normal mode
			070 ó 079	Pan/tilt blackout mode enabled
			080 ó 089	Pan/tilt blackout mode disabled
			090 ó 099	Color change blackout mode enabled
			100 ó 109	Color change blackout mode disabled
			110 ó 119	Gobo change blackout mode enabled
			120 ó 129	Gobo change blackout mode disabled
			130 ó 139	Lamp on
			140 ó 149	Pan/tilt reset
			150 ó 159	Color reset
			160 ó 169	Gobo reset
			170 ó 179	Shutter/prism reset
			180 ó 189	No Function
			190 ó 199	Frost/focus/zoom reset
			200 ó 209	Reset all
			210 ó 219	Enable all movement blackout modes
220 ó 229	Disable all movement blackout modes			
230 ó 239	Lamp off			
240 ó 255	No Function			

## 5. Technical Information

### Product Maintenance

To maintain optimum performance and minimize wear, you should clean this product frequently. Usage and environment are contributing factors in determining the cleaning frequency.

As a rule, clean this product at least twice a month. Dust build-up reduces light output performance and can cause overheating. This can lead to reduced light source life and increased mechanical wear.

To clean your product:

1. Unplug the product from power.
2. Wait until the product is at room temperature.
3. Use a vacuum (or dry compressed air) and a soft brush to remove dust collected on the external vents and accessible internal components.
4. Clean all external optics and glass/plastic surfaces with a mild solution of non-ammonia glass cleaner or isopropyl alcohol.
5. Apply the solution directly to a soft, lint-free cotton cloth or a lens cleaning tissue.
6. Wipe any dirt or grime to the outside edges of the lens, glass, or plastic surfaces.
7. Gently polish the lenses until they are free of haze and lint.



**Always dry the external optics, glass, and plastic surfaces thoroughly after cleaning them.**



**Refrain from spinning this product's fans using compressed air.**

## Error Messages

Message	Cause(s)	Action(s)
<b>Lamp Startup Fail</b>	The lamp has not started after being struck	<ul style="list-style-type: none"> <li>• Check lamp</li> <li>• Check lamp socket and wiring</li> <li>• Send product for repair</li> </ul>
<b>Temperature Sense Error</b>	No communication with temperature sensor	<ul style="list-style-type: none"> <li>• Check sensor wiring</li> <li>• Check sensor integrity</li> <li>• Send product for repair</li> </ul>
<b>Lamp too Hot Low Power</b>	Ambient temperature higher than 104 °C; lamp in low power for safety	<ul style="list-style-type: none"> <li>• Check fans</li> <li>• Check fan wiring</li> <li>• Clean vents</li> </ul>
<b>Lamp Too Hot Power Off</b>	Ambient temperature higher than 110 °C; lamp off for safety	<ul style="list-style-type: none"> <li>• Check fans</li> <li>• Check fan wiring</li> <li>• Clean vents</li> </ul>
<b>Maintenance Fixture</b>	Fixture Maintenance timer expired	<ul style="list-style-type: none"> <li>• Proceed with maintenance and reset timer</li> </ul>
<b>Memory Initial Fail</b>	Memory chip error	<ul style="list-style-type: none"> <li>• Send product for repair</li> </ul>
<b>CPU-B Error</b> <b>CPU-C Error</b> <b>CPU-D Error</b>	No communication with auxiliary CPU	<ul style="list-style-type: none"> <li>• Check sensor's wiring and position</li> <li>• Send product for repair</li> </ul>
<b>Pan Reset Error</b> <b>Pan Encode Error</b> <b>Tilt Reset Error</b> <b>Tilt Encode Error</b>	Moving head failed to go to home position after power up or fixture reset	<ul style="list-style-type: none"> <li>• Check moving head's free movement</li> <li>• Check sensors' wiring and position</li> <li>• Send product for repair</li> </ul>
<b>Dimmer Reset Fail</b> <b>Color Reset Fail</b> <b>Gobo Reset Fail</b> <b>Focus Reset Fail</b> <b>Zoom Reset Fail</b> <b>Frost Reset Fail</b>	Indicated moving part failed to go to its home position after power up or fixture reset	<ul style="list-style-type: none"> <li>• Check part's free movement and integrity</li> <li>• Check sensors' wiring and position</li> <li>• Send product for repair</li> </ul>

## 6. Technical Specifications

Dimensions and Weight	<b>Length</b>	<b>Width</b>	<b>Height</b>	<b>Weight</b>	
	13.52 in (343.4 mm)	16.34 in (415 mm)	19.59 in (497.5 mm)	41.3 lb (18.73 kg)	
<b>Note:</b> Dimensions in inches rounded to the nearest decimal digit.					
Electrical	<b>Power Supply Type</b>	<b>Range</b>		<b>Voltage Selection</b>	
	Switching (internal)	100–240 V, 50/60 Hz		Auto-ranging	
	<b>Parameter</b>	<b>120 V, 60 Hz</b>	<b>208 V, 60 Hz</b>	<b>230 V, 50 Hz</b>	
	Consumption	415 W	401 W	385 W	
Electrical	Operating / Inrush current	3.43 A	2.02 A	1.75 A	
	Fuse	T 5 A, 250 V	T 5 A, 250 V	T 5 A, 250 V	
	<b>Power I/O</b>	<b>US/Worldwide</b>		<b>Europe</b>	
	Power input connector	Hard Wire		Hard Wire	
Electrical	Power output connector	Open Wire		Open Wire	
	Power cord plug	N/A		N/A	
	Light Source	<b>Type</b>	<b>Power</b>		<b>Lifespan</b>
		Osram Sirius 230 W Lamp	230 W		2,500 hours
Photometrics		<b>Parameter</b>	<b>Standard Optics</b>		
	Illuminance @ 15 m	96,000 lx			
	Beam angle	2.25°			
Thermal	<b>Max. External Temperature</b>	<b>Cooling System</b>			
	113 °F (45 °C)	Fan-Assisted Convection			
DMX	<b>I/O Connectors</b>	<b>Connector Type</b>		<b>Channel Range</b>	
	3- and 5-pin XLR	Sockets		15,18	
Ordering	<b>Legend™ 230SR Beam</b>	<b>Item Code</b>		<b>UPC Number</b>	
	Legend™ 230SR Beam	06010560		781462209087	



## Returns

You must send the product prepaid, in the original box, and with the original packing and accessories. Chauvet will not issue call tags.

Call Chauvet and request a Return Merchandise Authorization (RMA) number before shipping the product. Be prepared to provide the model number, serial number, and a brief description of the cause(s) for the return.

Clearly label the package with an RMA number. Chauvet will refuse any product returned without an RMA number.



**DO NOT write the RMA number directly on the box. Instead, write it on a properly affixed label.**

Once you have received the RMA number, include the following information on a piece of paper inside the box:

- Your name
- Your address
- Your phone number
- The RMA number
- A brief description of the problem(s)

Be sure to pack the product properly. Any shipping damage resulting from inadequate packaging will be the customer's responsibility. FedEx packing or double-boxing is recommended.



**Chauvet reserves the right to use its own discretion to repair or replace returned product(s).**

## Contact Us

### WORLD HEADQUARTERS - Chauvet

#### General Information

Address: 5200 NW 108th Avenue  
Sunrise, FL 33351  
Voice: (954) 577-4455  
Fax: (954) 929-5560  
Toll free: (800) 762-1084

#### Technical Support

Voice: (954) 577-4455 (Press 4)  
Fax: (954) 756-8015  
Email: [tech@chauvetlighting.com](mailto:tech@chauvetlighting.com)

**World Wide Web** [www.chauvetlighting.com](http://www.chauvetlighting.com)

### UNITED KINGDOM AND IRELAND - Chauvet Europe Ltd.

#### General Information

Address: Unit 1C  
Brookhill Road Industrial Estate  
Pinxton, Nottingham, UK  
NG16 6NT  
Voice: +44 (0)1773 511115  
Fax: +44 (0)1773 511110

#### Technical Support

Email: [uktech@chauvetlighting.com](mailto:uktech@chauvetlighting.com)

**World Wide Web** [www.chauvetlighting.co.uk](http://www.chauvetlighting.co.uk)

### MEXICO - Chauvet Mexico

#### General Information

Address: Av. Santa Ana 30  
Parque Industrial Lerma  
Lerma, Mexico C.P. 52000  
Voice: +52 (728) 285-5000

#### Technical Support

Email: [servicio@chauvet.com.mx](mailto:servicio@chauvet.com.mx)

**World Wide Web** [www.chauvet.com.mx](http://www.chauvet.com.mx)

### CHAUVET EUROPE - Chauvet Europe BVBA

#### General Information

Address: Stokstraat 18  
9770 Kruishoutem  
Belgium  
Voice: +32 9 388 93 97

#### Technical Support

Email: [Eutech@chauvetlighting.eu](mailto:Eutech@chauvetlighting.eu)

**World Wide Web** [www.chauvetlighting.eu](http://www.chauvetlighting.eu)

Outside the U.S., United Kingdom, Ireland, Mexico, or Benelux, contact the dealer of record. Follow their instructions to request support or to return a product. Visit our website for contact details.