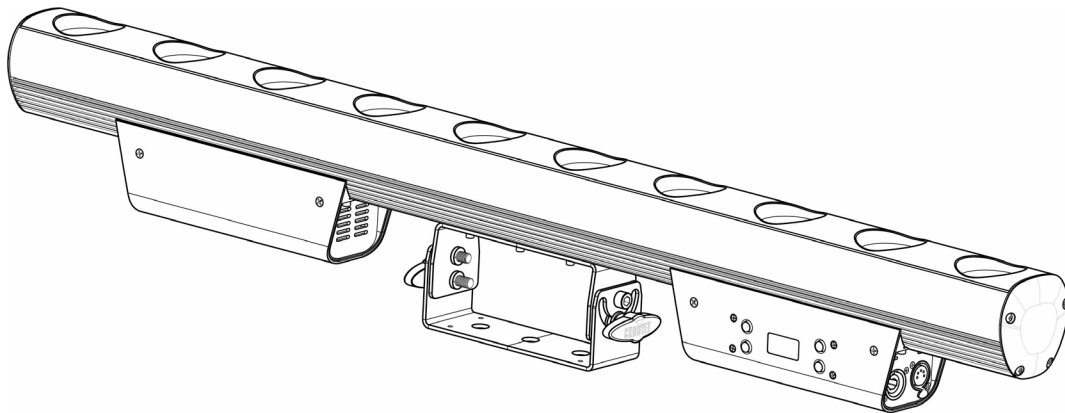


# STRIKE **SABER**

## User Manual



  
**CHAUVET**  
**PROFESSIONAL**

## Edition Notes

The STRIKE Saber User Manual includes a description, safety precautions, installation, programming, operation and maintenance instructions for the STRIKE Saber as of the release date of this edition.

## Trademarks

CHAUVET, the Chauvet logo and STRIKE Saber are registered trademarks or trademarks of Chauvet & Sons, LLC (d/b/a Chauvet and Chauvet Lighting) in the United States and other countries. Other company and product names and logos referred to herein may be trademarks of their respective companies.

## Copyright Notice

The works of authorship contained in this manual, including, but not limited to, all design, text and images are owned by Chauvet.

© Copyright 2019 Chauvet & Sons, LLC. All rights reserved.

Electronically published by Chauvet in the United States of America.

## Manual Use

Chauvet authorizes its customers to download and print this manual for professional information purposes only. Chauvet expressly prohibits the usage, copy, storage, distribution, modification, or printing of this manual or its content for any other purpose without written consent from Chauvet.

## Document Printing

For best results, print this document in color, on letter size paper (8.5 x 11 in), double-sided. If using A4 paper (210 x 297 mm), configure the printer to scale the content accordingly.

## Intended Audience

Any person installing, operating, and/or maintaining this product should completely read through the guide that shipped with the product, as well as this manual, before installing, operating, or maintaining this product.

## Disclaimer

Chauvet believes that the information contained in this manual is accurate in all respects. However, Chauvet assumes no responsibility and specifically disclaims any and all liability to any party for any loss, damage or disruption caused by any errors or omissions in this document, whether such errors or omissions result from negligence, accident or any other cause. Chauvet reserves the right to revise the content of this document without any obligation to notify any person or company of such revision, however, Chauvet has no obligation to make, and does not commit to make, any such revisions. Download the latest version from [www.chauvetprofessional.com](http://www.chauvetprofessional.com).

## Document Revision

This STRIKE Saber User Manual is the 5<sup>th</sup> edition of this document. Go to [www.chauvetprofessional.com](http://www.chauvetprofessional.com) for the latest version.

TABLE OF CONTENTS

<b>1. Before You Begin .....</b>	<b>1</b>
What Is Included .....	1
Claims .....	1
Manual Conventions .....	1
Symbols .....	1
Safety Notes.....	2
Personal Safety.....	2
Mounting and Rigging .....	2
Power and Wiring.....	2
Operation .....	2
Expected LED Lifespan.....	2
<b>2. Introduction .....</b>	<b>3</b>
Description .....	3
Features.....	3
Product Overview.....	3
Product Dimensions.....	4
<b>3. Setup .....</b>	<b>5</b>
AC Power.....	5
AC Plug.....	5
Power Linking.....	5
DMX Linking.....	5
DMX Personalities.....	5
Remote Device Management (RDM).....	5
Master/Slave Connectivity.....	5
Mounting .....	6
Orientation.....	6
Rigging .....	6
Procedure.....	6
Floor Stand.....	6
<b>4. Operation .....</b>	<b>7</b>
Control Panel Operation.....	7
Control Options .....	7
Programming.....	7
Menu Map .....	7
Configuration (DMX) .....	8
Control Personalities.....	8
Starting Address.....	8
DMX Values .....	9
27Ch.....	9
20Ch.....	10
11Ch.....	10
10Ch.....	10
7Ch.....	11
3Ch.....	11
1Ch.....	11
Configuration (Standalone) .....	11
Static Mode .....	11
Auto Programs .....	11

Configuration (Settings) .....	12
Red Shift .....	12
Master/Slave .....	12
Dimmer Profiles.....	12
LED Frequency .....	12
Back Light .....	12
System Information .....	12
Factory Reset.....	12
<b>5. Technical Information .....</b>	<b>13</b>
Product Maintenance .....	13
<b>6. Technical Specifications .....</b>	<b>14</b>
Photometrics Charts.....	15
<b>Returns .....</b>	<b>16</b>
<b>Contact Us .....</b>	<b>17</b>

## Before You Begin

# 1. Before You Begin

## What Is Included

- STRIKE Saber
- Neutrik® powerCON® Power Cord
- Floor Stand
- Quick Reference Guide

## Claims

Carefully unpack the product immediately and check the container to make sure all the parts are in the package and are in good condition.





If the box or the contents (the product and included accessories) appear damaged from shipping, or show signs of mishandling, notify the carrier immediately, not Chauvet. Failure to report damage to the carrier immediately may invalidate your claim. In addition, keep the box and contents for inspection.

For other issues, such as missing components or parts, damage not related to shipping, or concealed damage, file a claim with Chauvet within 7 days of delivery.

## Manual Conventions

Convention	Meaning
1–512	A range of values
50/60	A set of values of which only one can be chosen
<SET>	A button on the product's control panel
Settings	A product function or a menu option

## Symbols

Symbol	Meaning
	Electrical warning. Not following these instructions may cause electrical damage to the product, accessories, or the user.
	Critical installation, configuration, or operation information. Not following these instructions may make the product not work, cause damage to the product, or cause harm to the operator.
	Important installation or configuration information. The product may not function correctly if this information is not used.
	Useful information.



Any reference to power connections in this manual assumes the use of Neutrik® powerCON® cables.



The term “DMX” used throughout this manual refers to the USITT DMX512-A digital data transmission protocol.

## Safety Notes

Read all the following safety notes before working with this product. These notes contain important information about the installation, usage, and maintenance of this product.



**This product contains no user-serviceable parts. Any reference to servicing in this User Manual will only apply to properly trained, certified technicians. Do not open the housing or attempt any repairs.**



**All applicable local codes and regulations apply to proper installation of this product.**

## Personal Safety

- Avoid direct eye exposure to the light source while the product is on.
- Always disconnect the product from the power source before cleaning or replacing the fuse.
- Always connect the product to a grounded circuit to avoid the risk of electrocution.
- Do not touch the product's housing when operating because it may be very hot.

## Mounting and Rigging

- This product is not intended for permanent installation.
- This product is for indoor use only! To prevent risk of fire or shock, do not expose this product to rain or moisture. (IP20)
- CAUTION: When transferring product from extreme temperature environments, (e.g. cold truck to warm humid ballroom) condensation may form on the internal electronics of the product. To avoid causing a failure, allow product to fully acclimate to the surrounding environment before connecting it to power.
- Mount this product in a location with adequate ventilation, at least 20 in (50 cm) from adjacent surfaces.
- Make sure there are no flammable materials close to this product while it is operating.
- When hanging this product, always secure to a fastening device using a safety cable.
- Never carry the product by the power cord.

## Power and Wiring

- Make sure the power cord is not crimped or damaged.
- Always make sure you are connecting this product to the proper voltage in accordance with the specifications in this manual or on the product's specification label.
- To eliminate unnecessary wear and improve its lifespan, during periods of non-use completely disconnect the product from power via breaker or by unplugging it.
- Never connect this product to a dimmer pack or rheostat.
- Make sure to replace the fuse with another of the same type and rating.
- Never disconnect this product by pulling or tugging on the power cable.

## Operation

- Do not operate this product if there is damage on the housing, lenses, or cables. Have the damaged parts replaced by an authorized technician at once.
- Do not cover the ventilation slots when operating to avoid internal overheating.
- The maximum ambient temperature is 113 °F (45 °C). Do not operate the product at higher temperatures.
- The minimum startup temperature is -4°F (-20°C). Do not start the product at lower temperatures.
- The minimum ambient temperature is -22°F (-30°C). Do not operate the product at lower temperatures.
- In the event of a serious operation problem, stop using this product immediately!



**If your Chauvet product requires service, contact Chauvet Technical Support.**

## Expected LED Lifespan

Over time, use and heat will gradually reduce LED brightness. Clustered LEDs produce more heat than single LEDs, contributing to shorter lifespans if always used at full intensity. The average LED lifespan is 40,000 to 50,000 hours. To extend LED lifespan, maintain proper ventilation around the product, and limit the overall intensity.

## 2. Introduction

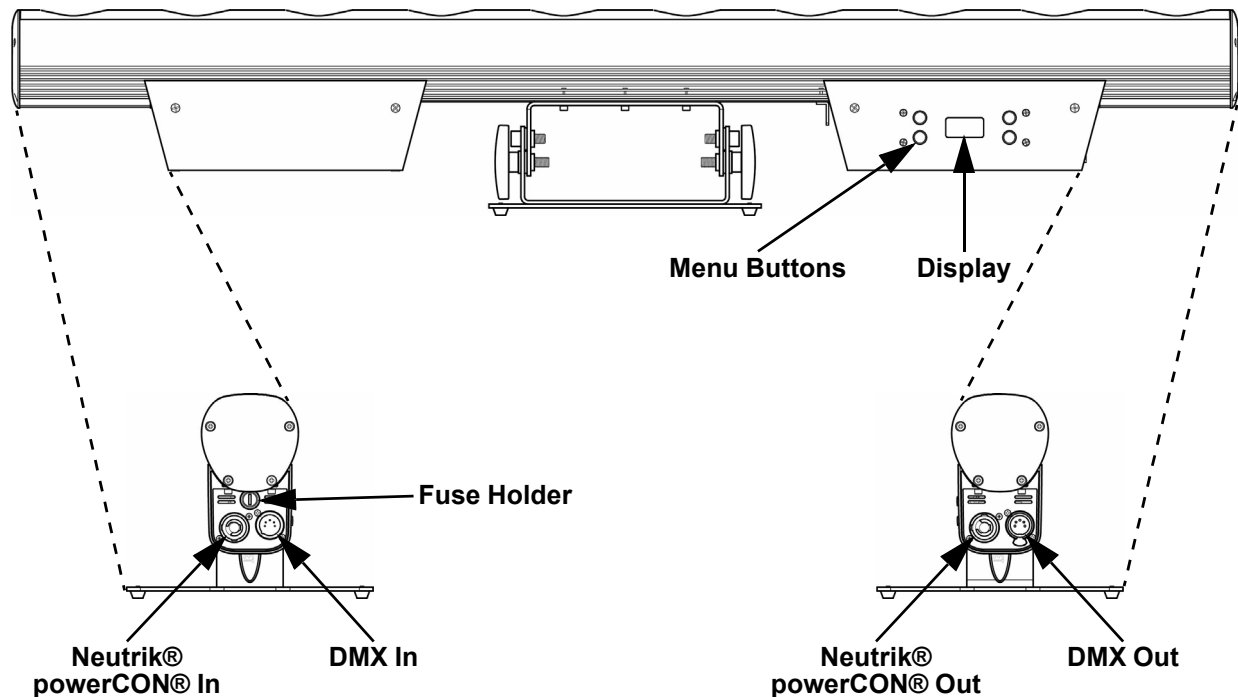
### Description

The STRIKE Saber is a batten powered by 10 17 W warm white/amber LEDs. It can be used as a blinder, a footlight, or even a tunable white wash. The STRIKE Saber is pixel mappable for intense chase and strobe effects. An emulated “red shift” warms the color temperature of the light as it dims to mimic incandescent lights.

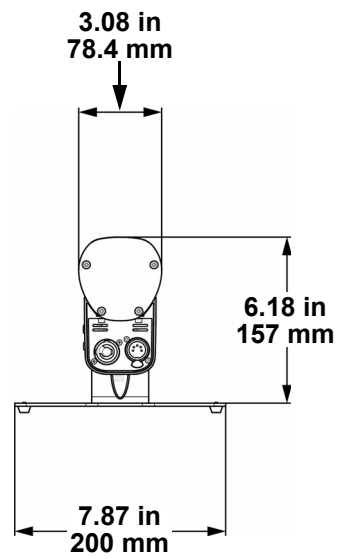
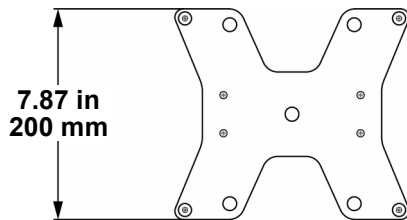
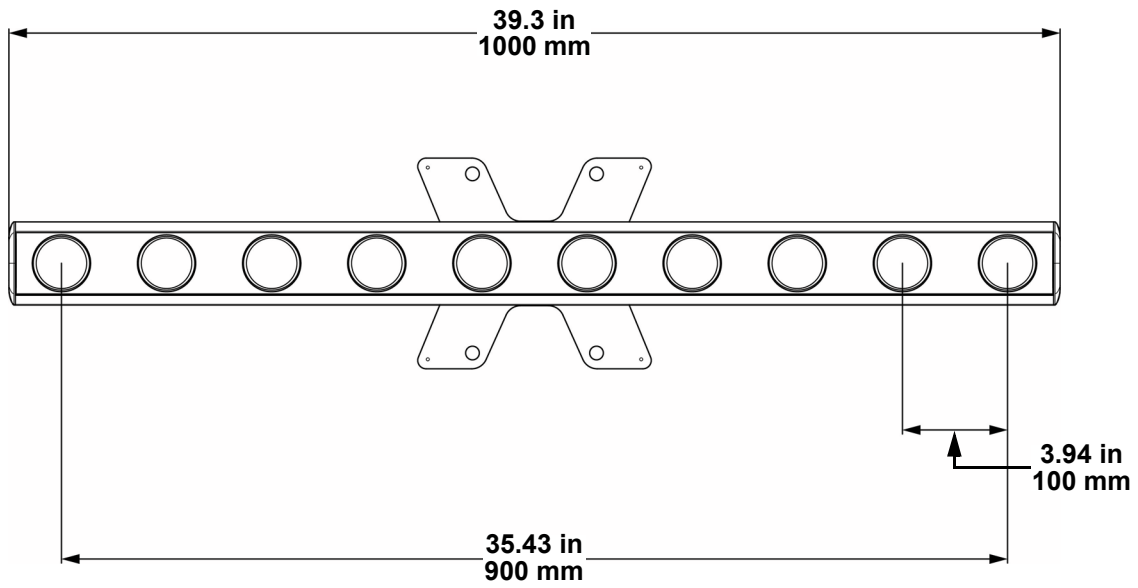
### Features

- Operating modes:
  - 1-channel: dimmer
  - 3-channel: dimmer, strobe, red shift
  - 7-channel: 16-bit dimmer, strobe, auto programs, auto speed, red shift, dimmer speed
  - 10-channel: 10-cell dimmer
  - 11-channel: 10-cell dimmer, red shift
  - 20-channel: 10-cell 16-bit dimmer
  - 27-channel: 10-cell 16-bit dimmer, strobe, auto programs, auto speed, red shift, dimmer speed
- Intense 10-cell batten perfect as a blinder, footlight or tunable white wash
- Emulated “red shift” to mimic incandescent fixtures perfectly
- 16-bit dimming control for smooth, perfect fades
- Strobe functionality for high-impact effects on-the-fly
- Pixel mappable for intense chase and strobe effects
- Included floor plate for easy ground level mounting
- Easy to use OLED display
- Adjustable Pulse Width Modulation (PWM)
- RDM (Remote Device Management) for added flexibility

### Product Overview



**Product Dimensions**





## 3. Setup

### AC Power

Each STRIKE Saber has an auto-ranging power supply that works with an input voltage range of 100 to 240 VAC, 50/60 Hz. To determine the power requirements for each STRIKE Saber, refer to the label affixed to the product. You can also refer to the Technical Specifications chart in this manual.

The listed current rating indicates the maximum current draw during normal operation. For more information, download Sizing Circuit Breakers from the Chauvet website: [www.chauvetprofessional.com](http://www.chauvetprofessional.com).



- **Always connect the product to a protected circuit (circuit breaker or fuse). Make sure the product has an appropriate electrical ground to avoid the risk of electrocution or fire.**
- **To eliminate unnecessary wear and improve its lifespan, during periods of non-use completely disconnect the product from power via breaker or by unplugging it.**



**Never connect the product to a rheostat (variable resistor) or dimmer circuit, even if the rheostat or dimmer channel serves only as a 0 to 100% switch.**

### AC Plug

The STRIKE Saber comes with a power input cord terminated with a Neutrik® powerCON® connector on one end and an Edison plug on the other end (U.S. market). If the power input cord that came with your product has no plug, or if you need to change the plug, use the table below to wire the new plug.

Connection	Wire (U.S.)	Wire (Europe)	Screw Color
AC Live	Black	Brown	Yellow or Brass
AC Neutral	White	Blue	Silver
AC Ground	Green/Yellow	Green/Yellow	Green

### Power Linking

The product supports power linking. You can power link up to 9 products at 120 V; up to 16 at 208 V; or up to 18 at 230 V.

This product comes with a power input cord. Power linking cables are available from Chauvet for purchase.

### DMX Linking

You can link the STRIKE Saber to a DMX controller using a 5-pin DMX connection. If using other DMX-compatible products with this product, you can control each individually with a single DMX controller.

### DMX Personalities

The STRIKE Saber uses a 5-pin DMX data connection for the **1Ch, 3Ch, 7Ch, 10Ch, 11Ch, 20Ch, and 27Ch** DMX personalities.

- Refer to the [Introduction](#) chapter for a brief description of each DMX personality.
- Refer to the [Operation](#) chapter to learn how to configure the STRIKE Saber to work in these personalities.
- The [DMX Values](#) section provides detailed information regarding the control personalities.



**If you are not familiar with or need more information about DMX standards, Master/Slave connectivity, or the DMX cables needed to link this product to a DMX controller, download the DMX Primer from the Chauvet website: [www.chauvetprofessional.com](http://www.chauvetprofessional.com).**

### Remote Device Management (RDM)

Remote Device Management, or RDM, is a standard for allowing DMX-enabled devices to communicate bi-directionally along existing DMX cabling. Check the DMX controller's User Manual or with the manufacturer as not all DMX controllers have this capability. The STRIKE Saber supports RDM protocol that allows feedback to make changes to menu map options.

### Master/Slave Connectivity

The Master/Slave mode allows a STRIKE Saber (the master) to control one or more STRIKE Saber products (the slaves) without a DMX controller. One STRIKE Saber becomes the master when running an auto program, or by being in Static mode.

You must configure each slave's control panel to operate in Slave mode. During Master/Slave operation, the slaves will operate in unison with the master.



**DO NOT connect a DMX controller to products operating in Master/Slave mode. The DMX controller signals may interfere with the signals from the master.**



- The [Operation](#) section of this manual provides detailed instructions on how to configure the master and slaves.
- **If you are not familiar with or need more information about DMX standards, or the DMX cables needed to link this product to a DMX controller, download the DMX Primer from the Chauvet website: [www.chauvetprofessional.com](http://www.chauvetprofessional.com).**

## Mounting

Before mounting the product, read and follow the safety recommendations indicated in the Safety Notes. For our CHAUVET Professional line of mounting clamps, go to <http://trusst.com/products/>.

### Orientation

Always mount this product in a safe position, making sure there is adequate room for ventilation, configuration, and maintenance.

### Rigging

Chauvet recommends using the following general guidelines when mounting this product.

- Before deciding on a location for the product, make sure there is easy access to the product for maintenance and programming purposes.
- Make sure that the structure onto which you are mounting the product can support the product's weight. See the [Technical Specifications](#) for weight information.
- When mounting the product overhead, always use a safety cable. Mount the product securely to a rigging point, whether an elevated platform or a truss.
- When rigging the product onto a truss, use a mounting clamp of appropriate weight capacity.
- When power linking multiple products, mount the products close enough for power linking cables to reach.
- The bracket adjustment knobs allow for directional adjustment when aiming the product to the desired angle. Only loosen or tighten the bracket knobs manually. Using tools could damage the knobs.

### Procedure

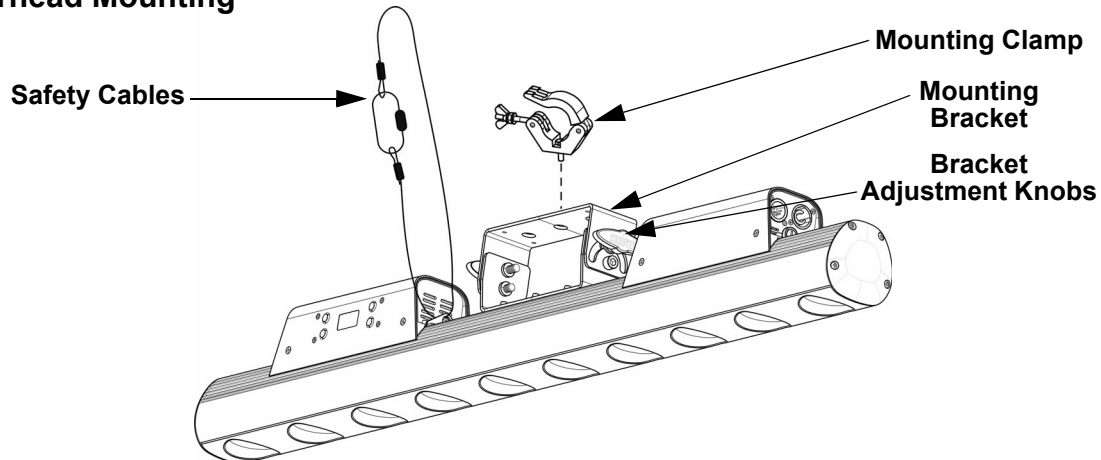
The STRIKE Saber comes with a bracket to which a mounting clamp can be attached. A mounting clamp is not included. Make sure the clamp is capable of supporting the weight of this product. Use at least one mounting point per product. For the CHAUVET Professional line of mounting clamps, go to <http://www.trusst.com/products>.

### Floor Stand

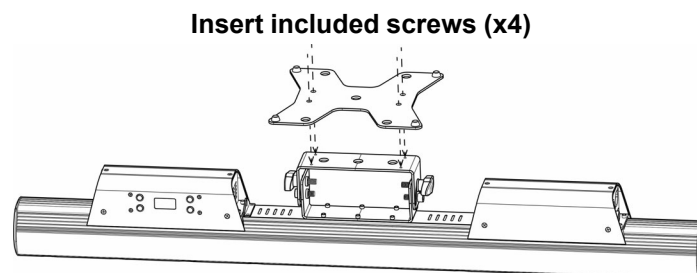
The STRIKE Saber comes with a Floor Stand which can be installed to the bracket with the included screws.

### Mounting Diagram

#### Overhead Mounting



#### Floor Stand Installation



## 4. Operation

### Control Panel Operation

Button	Function
<MENU>	Exits from the current menu or function
<ENTER>	Enables the currently displayed menu or sets the currently selected value in to the current function
<UP>	Navigates upward through the menu list or increases the numeric value when in a function
<DOWN>	Navigates downward through the menu list or decreases the numeric value when in a function

### Control Options

Set the STRIKE Saber starting address in the 001–512 DMX range. This enables control of up to 18 products in the 27-channel **27Ch** personality.

### Programming

Refer to the Menu Map to understand the menu options. The menu map shows the main level and a variable number of programming levels for each option.

- To go to the desired main level, press <MENU> repeatedly until the option shows on the display. Press <ENTER> to select. This will take you to the first programming level for that option.
- To select an option or value within the current programming level, press <UP> or <DOWN> until the option shows on the display. Press <ENTER> to select. In this case, if there is another programming level, you will see that first option, or you will see the selected value.
- Press <MENU> repeatedly to exit to the previous main level.

### Menu Map

Main Level	Programming Levels		Description
DMX Address	001–512		Selects DMX address (highest channel restricted to personality chosen)
DMX Personality	1Ch		1-channel: dimmer
	3Ch		3-channel: dimmer, strobe, red shift
	7Ch		7-channel: 16-bit dimmer, strobe, auto programs, auto speed, red shift, dimmer speed
	10Ch		10-channel: 10-cell dimmer
	11Ch		11-channel: 10-cell dimmer, red shift
	20Ch		20-channel: 10-cell 16-bit dimmer
	27Ch		27-channel: 10-cell 16-bit dimmer, strobe, auto programs, auto speed, red shift, dimmer speed
Red Shift	On		Turns on or off Red Shift (Amber LEDs imitate lamp when dimming)
	Off		
Static	Fixed Color	Amber	Amber fixed color
		White	White fixed color
		Amber&White	Amber and white fixed color
	Manual Color Mixer	Amber	0–255
White			
Auto Show	Auto 1–6	1–100	Automatic programs and speed
Master/Slave Mode	Master		DMX mode (Master)
	Slave		Slave mode
Dimmer Mode	Off		Linear dimmer
	Dimmer 1–3		Dimming curves <b>Dimmer 1</b> (fast) to <b>Dimmer 3</b> (slow)

Main Level	Programming Levels		Description
LED Frequency	600Hz		Sets the PWM frequency
	1200Hz		
	2000Hz		
	4000Hz		
	6000Hz		
	25KHz		
Back Light	10S		Display backlight always on
	30S		Turns off display backlight after 10 seconds of inactivity
	2min		Turns off display backlight after 20 seconds of inactivity
	Always On		Turns off display backlight after 30 seconds of inactivity
Information	Fixture Hours	<_ _ _ _H>	Shows total hours the product has been on
	Version	<V_ _ _>	Shows current firmware version
	UID	<_ _ _ _ _ _ _ _>	Shows product UID
Reset Factory	No		Resets the product to factory default settings
	Yes		

## Configuration (DMX)

Use control configurations to operate the product with a DMX controller.

### Control Personalities

This setting allows you to choose a particular control personality.

- Go to the DMX **Personality** main level.
- Select the desired personality, from **1Ch**, **3Ch**, **7Ch**, **10Ch**, **11Ch**, **20Ch**, and **27Ch**.



- See the [Starting Address](#) section for the highest starting address you can select for each personality.
- Make sure that the starting addresses on the various products do not overlap due to the new personality setting.

### Starting Address

Each product will respond to a unique starting address from the DMX controller. All products with the same starting address will respond in unison.

- Go to the **DMX Address** main level.
- Select the starting address (**001–512**).

The highest recommended starting address for each DMX mode is as follows:

Personality	Address
1Ch	512
3Ch	510
7Ch	506
10Ch	503
11Ch	502
20Ch	493
27Ch	486

## DMX Values

### 27Ch

Channel	Function	Value	Percent/Setting
1	Dimmer	000 ⇄ 255	0–100%
2	Fine Dimmer	000 ⇄ 255	0–100%
3	Dimmer 1	000 ⇄ 255	0–100%
4	Fine Dimmer 1	000 ⇄ 255	0–100%
5	Dimmer 2	000 ⇄ 255	0–100%
6	Fine Dimmer 2	000 ⇄ 255	0–100%
7	Dimmer 3	000 ⇄ 255	0–100%
8	Fine Dimmer 3	000 ⇄ 255	0–100%
9	Dimmer 4	000 ⇄ 255	0–100%
10	Fine Dimmer 4	000 ⇄ 255	0–100%
11	Dimmer 5	000 ⇄ 255	0–100%
12	Fine Dimmer 5	000 ⇄ 255	0–100%
13	Dimmer 6	000 ⇄ 255	0–100%
14	Fine Dimmer 6	000 ⇄ 255	0–100%
15	Dimmer 7	000 ⇄ 255	0–100%
16	Fine Dimmer 7	000 ⇄ 255	0–100%
17	Dimmer 8	000 ⇄ 255	0–100%
18	Fine Dimmer 8	000 ⇄ 255	0–100%
19	Dimmer 9	000 ⇄ 255	0–100%
20	Fine Dimmer 9	000 ⇄ 255	0–100%
21	Dimmer 10	000 ⇄ 255	0–100%
22	Fine Dimmer 10	000 ⇄ 255	0–100%
23	Strobe	000 ⇄ 010	No function
		011 ⇄ 125	Strobe, slow to fast
		126 ⇄ 255	Random strobe
24	Auto Programs	000 ⇄ 010	No function
		011 ⇄ 032	Auto program 1
		033 ⇄ 076	Auto program 2
		077 ⇄ 120	Auto program 3
		121 ⇄ 164	Auto program 4
		165 ⇄ 208	Auto program 5
209 ⇄ 255	Auto program 6		
25	Auto Speed	000 ⇄ 255	Auto speed, slow to fast
26	Red Shift	000	Red shift on, amber channels disabled
		001 ⇄ 255	Red shift off, amber channels enabled
27	Dimmer Speed Mode*	000 ⇄ 051	Preset dimmer speed from display menu
		052 ⇄ 101	Dimmer speed mode off
		102 ⇄ 152	Dimmer speed mode 1 (fastest)
		153 ⇄ 203	Dimmer speed mode 2
		204 ⇄ 255	Dimmer speed mode 3 (slowest)



\*Hold desired dimmer speed value for 3 seconds, then release. This changes the dimmer speed setting in the menu.

20Ch

Channel	Function	Value	Percent/Setting
1	Dimmer 1	000 ⇄ 255	0–100%
2	Fine Dimmer 1	000 ⇄ 255	0–100%
3	Dimmer 2	000 ⇄ 255	0–100%
4	Fine Dimmer 2	000 ⇄ 255	0–100%
5	Dimmer 3	000 ⇄ 255	0–100%
6	Fine Dimmer 3	000 ⇄ 255	0–100%
7	Dimmer 4	000 ⇄ 255	0–100%
8	Fine Dimmer 4	000 ⇄ 255	0–100%
9	Dimmer 5	000 ⇄ 255	0–100%
10	Fine Dimmer 5	000 ⇄ 255	0–100%
11	Dimmer 6	000 ⇄ 255	0–100%
12	Fine Dimmer 6	000 ⇄ 255	0–100%
13	Dimmer 7	000 ⇄ 255	0–100%
14	Fine Dimmer 7	000 ⇄ 255	0–100%
15	Dimmer 8	000 ⇄ 255	0–100%
16	Fine Dimmer 8	000 ⇄ 255	0–100%
17	Dimmer 9	000 ⇄ 255	0–100%
18	Fine Dimmer 9	000 ⇄ 255	0–100%
19	Dimmer 10	000 ⇄ 255	0–100%
20	Fine Dimmer 10	000 ⇄ 255	0–100%

11Ch

Channel	Function	Value	Percent/Setting
1	Dimmer 1	000 ⇄ 255	0–100%
2	Dimmer 2	000 ⇄ 255	0–100%
3	Dimmer 3	000 ⇄ 255	0–100%
4	Dimmer 4	000 ⇄ 255	0–100%
5	Dimmer 5	000 ⇄ 255	0–100%
6	Dimmer 6	000 ⇄ 255	0–100%
7	Dimmer 7	000 ⇄ 255	0–100%
8	Dimmer 8	000 ⇄ 255	0–100%
9	Dimmer 9	000 ⇄ 255	0–100%
10	Dimmer 10	000 ⇄ 255	0–100%
11	Red Shift	000 001 ⇄ 255	Red shift on, amber channel disabled Red shift off, amber channel enabled

10Ch

Channel	Function	Value	Percent/Setting
1	Dimmer 1	000 ⇄ 255	0–100%
2	Dimmer 2	000 ⇄ 255	0–100%
3	Dimmer 3	000 ⇄ 255	0–100%
4	Dimmer 4	000 ⇄ 255	0–100%
5	Dimmer 5	000 ⇄ 255	0–100%
6	Dimmer 6	000 ⇄ 255	0–100%
7	Dimmer 7	000 ⇄ 255	0–100%
8	Dimmer 8	000 ⇄ 255	0–100%
9	Dimmer 9	000 ⇄ 255	0–100%
10	Dimmer 10	000 ⇄ 255	0–100%

## 7Ch

Channel	Function	Value	Percent/Setting
1	Dimmer	000 ⇔ 255	0–100%
2	Fine Dimmer	000 ⇔ 255	0–100%
3	Strobe	000 ⇔ 010	No function
		011 ⇔ 125	Strobe, slow to fast
		126 ⇔ 255	Random strobe
4	Auto Programs	000 ⇔ 010	No function
		011 ⇔ 032	Auto program 1
		033 ⇔ 076	Auto program 2
		077 ⇔ 120	Auto program 3
		121 ⇔ 164	Auto program 4
		165 ⇔ 208	Auto program 5
209 ⇔ 255	Auto program 6		
5	Auto Speed	000 ⇔ 255	Auto speed, slow to fast
6	Red Shift	000	Red shift on, amber channel disabled
		001 ⇔ 255	Red shift off, amber channel enabled
7	Dimmer Speed Mode*	000 ⇔ 051	Preset dimmer speed from display menu
		052 ⇔ 101	Dimmer speed mode off
		102 ⇔ 152	Dimmer speed mode 1 (fastest)
		153 ⇔ 203	Dimmer speed mode 2
		204 ⇔ 255	Dimmer speed mode 3 (slowest)



\*Hold desired dimmer speed value for 3 seconds, then release. This changes the dimmer speed setting in the menu.

## 3Ch

Channel	Function	Value	Percent/Setting
1	Dimmer	000 ⇔ 255	0–100%
2	Strobe	000 ⇔ 010	No function
		011 ⇔ 125	Strobe, slow to fast
		126 ⇔ 255	Random strobe
3	Red Shift	000	Red shift on, amber channel disabled
		001 ⇔ 255	Red shift off, amber channel enabled

## 1Ch

Channel	Function	Value	Percent/Setting
1	Dimmer	000 ⇔ 255	0–100%

## Configuration (Standalone)

Use standalone configuration to operate the product without a DMX controller.

### Static Mode

The Static mode allows for the selection of a fixed color or a custom color without a DMX controller.

1. Go to the **Static** main level.
2. Select **Fixed Color** or **Manual Color Mixer**.
3. For **Fixed Color**, select from **Amber**, **White**, or **Amber&White**.  
For **Manual Color Mixer**, select **Amber** or **White**, then select the desired value (**0–255**).

### Auto Programs

Auto programs allow for dynamic blinder effects without a DMX controller.

1. Go to the **Auto Show** main level.
2. Select the desired auto (**Auto 1–6**).
3. Select the desired speed (**001–100**).



The auto programs cannot be edited.

## Configuration (Settings)

### Red Shift

The Red Shift function causes the amber LEDs to imitate the appearance of a lamp when dimming.

1. Go to the **Red Shift** main level
2. Select **On** or **Off**.

### Master/Slave

The Master/Slave mode allows a group of STRIKE Saber products (the slaves) to simultaneously duplicate the output of another STRIKE Saber (the master) without a DMX controller. To set each of the slaves:

1. Go to the **Master/Slave** main level.
2. Select **Slave**.

To set the master:

1. Go to the **Master/Slave** main level.
2. Select **Master**.
3. Select a static setting.



- The master is the one that runs a program whether in Auto or Static mode.
- Do not connect a DMX controller to the products configured for Master/Slave operation. The DMX controller may interfere with signals from the master.
- The master should be the first product in the daisy chain.

### Dimmer Profiles

This setting determines how fast the output of the STRIKE Saber changes when you modify the output value. This setting provides four different options to simulate the dimming curve of an incandescent lighting product.

1. Go to the **Dimmer Mode** main level.
2. Select a dimmer curve (**Off**, **Dimmer 1**, **Dimmer 2**, or **Dimmer 3**).



**Off:** The output is proportional (linear) to the dimmer channel value.

**Dimmer 1-3:** The output follows the dimmer value based on the corresponding dimmer curve, DIM1 being the fastest.

### LED Frequency

This option changes the Pulse Width Modulation (PWM) frequency of the LEDs on the STRIKE Saber.

1. Go to the **LED Frequency** main level.
2. Select PWM Frequency (**600Hz**, **1200Hz**, **2000Hz**, **4000Hz**, **6000Hz**, or **25Khz**).

### Back Light

This setting allows for selection of the amount of time the backlight on the STRIKE Saber's display stays on after the last button is pressed on the control panel.

1. Go to the **Back Light** main level.
2. Select **10S** (10 seconds), **30S** (30 seconds), **2min** (2 minutes), or **Always On** (remains on).

### System Information

This option displays the total number of hours the product has run, the installed software version, and the product's UID.

1. Go to the **Information** main level.
2. Select **Fixture Hours**, **Version**, or **UID**.

### Factory Reset

This option restores the STRIKE Saber to factory default settings.

1. Go to the **Reset Factory** main level.
2. Select **No** or **Yes**.



# 5. Technical Information

## Product Maintenance

To maintain optimum performance and minimize wear, clean this product frequently. Usage and environment are contributing factors in determining the cleaning frequency.

Clean this product at least twice a month. Dust build-up reduces light output performance and can cause overheating. This can lead to reduced light source life and increased mechanical wear.

To clean the product:

1. Unplug the product from power.
2. Wait until the product is at room temperature.
3. Use a vacuum (or dry compressed air) and a soft brush to remove dust collected on the external vents.
4. Clean all transparent surfaces with a mild soap solution, ammonia-free glass cleaner, or isopropyl alcohol.
5. Apply the solution directly to a soft, lint free cotton cloth or a lens cleaning tissue.
6. Softly drag any dirt or grime to the outside of the transparent surface.
7. Gently polish the transparent surfaces until they are free of haze and lint.



**Always dry the transparent surfaces carefully after cleaning them.**

## 6. Technical Specifications

### Dimensions and Weight

Length	Width	Height	Weight
39.3 in (1000 mm)	3.08 in (78.4 mm)	6.18 in (157 mm)	14.6 lb (6.7 kg)

**Note:** Dimensions in inches rounded to the nearest decimal digit.

### Power

Power Supply Type	Range	Voltage Selection
Switching (internal)	100 to 240 VAC, 50/60 Hz	Auto-ranging

Parameter	120 V, 60 Hz	208 V, 60 Hz	230 V, 50 Hz
Consumption	174 W	172 W	170 W
Operating Current	1.434 A	0.829 A	0.741 A
Power linking current (products)	13.6 A (9 products)	13.6 A (16 products)	13.6 A (18 products)

Power I/O	U.S./Worldwide	UK/Europe
Power input connector	Neutrik® powerCON® A	Neutrik® powerCON® A
Power output connector	Neutrik® powerCON® B	Neutrik® powerCON® B
Power Cord plug	Edison (U.S.)	Local Plug

### Light Source

Type	Color	Quantity	Power	Current	Lifespan
LED	Warm White/ Amber	10	17 W	310 mA	50,000 hours

### Photometrics

Parameter	Value
Color Temperature (at full)	3134 K
Horizontal Beam Angle	18°
Vertical Beam Angle	15°
Horizontal Field Angle	35°
Vertical Field Angle	30°
Illuminance @ 5 m	2,466 lux
Strobe Rate	0 to 26.7 Hz

### Thermal

Maximum External Temperature	Cooling System
113 °F (45 °C)	Convection

### DMX

I/O Connector	Channel Range
5-pin XLR	1, 3, 7, 10, 11, 20 or 27

### Ordering

Product Name	Item Name	Item Code	UPC Number
STRIKE Saber	STRIKESABER	03051474	781462218218



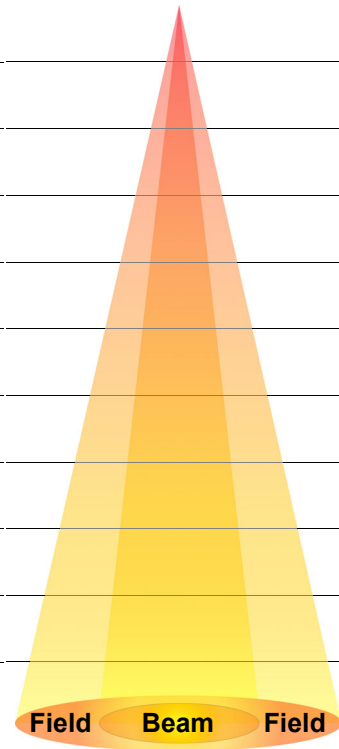
RoHS



Photometrics Charts

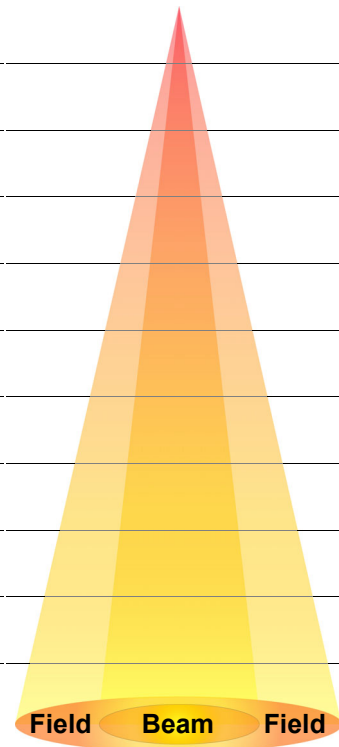
STRIKE Saber (Imperial)

Distance	Beam Diameter	Field Diameter	Footcandle
15 ft	4.75 x 3.95 ft	9.46 x 8.04 ft	274
20 ft	6.34 x 5.27 ft	12.61 x 10.72 ft	154
30 ft	9.50 x 7.90 ft	18.92 x 16.08 ft	69
40 ft	12.67 x 10.53 ft	25.22 x 21.44 ft	39
50 ft	15.84 x 13.17 ft	31.53 x 26.79 ft	25
75 ft	23.76 x 19.75 ft	47.29 x 40.19 ft	11
100 ft	31.68 x 26.33 ft	63.06 x 53.59 ft	5
125 ft	39.60 x 32.91 ft	78.82 x 66.99 ft	4
150 ft	47.52 x 39.50 ft	94.59 x 80.38 ft	3



STRIKE Saber (Metric)

Distance	Beam Diameter	Field Diameter	Lux
1 m	0.32 x 0.26 m	0.63 x 0.54 m	61,650
2 m	0.63 x 0.53 m	1.26 x 1.07 m	15,413
5 m	1.58 x 1.32 m	3.15 x 2.68 m	2,466
8 m	2.53 x 2.11 m	5.04 x 4.29 m	963
10 m	3.17 x 2.63 m	6.31 x 5.36 m	617
15 m	4.75 x 3.95 m	9.46 x 8.04 m	274
20 m	6.34 x 5.27 m	12.61 x 10.72 m	154
25 m	7.92 x 6.58 m	15.76 x 13.40 m	99
30 m	9.50 x 7.90 m	18.92 x 16.08 m	69



## Returns

Send the product prepaid, in the original box, and with the original packing and accessories. Chauvet will not issue call tags.

Call Chauvet and request a Return Merchandise Authorization (RMA) number before shipping the product. Be prepared to provide the model number, serial number, and a brief description of the cause(s) for the return.

To submit a service request online, go to [www.chauvetprofessional.com/service-request](http://www.chauvetprofessional.com/service-request).

Clearly label the package with an RMA number. Chauvet will refuse any product returned without an RMA number.



**Write the RMA number on a properly affixed label. DO NOT write the RMA number directly on the box.**

Once you have the RMA number, provide the following information on a piece of paper and place it inside the box:

- Your name
- Your address
- Your phone number
- RMA number
- A brief description of the problem

Be sure to pack the product properly. Any shipping damage resulting from inadequate packaging will be your responsibility. FedEx packing or double-boxing are recommended.



**Chauvet reserves the right to use its own discretion to repair or replace returned product(s).**

## Contact Us

General Information	Technical Support
<b>Chauvet World Headquarters</b>	
Address: 5200 NW 108th Ave. Sunrise, FL 33351 Voice: (954) 577-4455 Fax: (954) 929-5560 Toll Free: (800) 762-1084	Voice: (844) 393-7575 Fax: (954) 756-8015 Email: <a href="mailto:chauvetcs@chauvetlighting.com">chauvetcs@chauvetlighting.com</a> Website: <a href="http://www.chauvetprofessional.com">www.chauvetprofessional.com</a>
<b>Chauvet Europe Ltd</b>	
Address: Unit 1C Brookhill Road Industrial Estate Pinxton, Nottingham, UK NG16 6NT Voice: +44 (0) 1773 511115 Fax: +44 (0) 1773 511110	Email: <a href="mailto:UKtech@chauvetlighting.eu">UKtech@chauvetlighting.eu</a> Website: <a href="http://www.chauvetprofessional.eu">www.chauvetprofessional.eu</a>
<b>Chauvet Europe BVBA</b>	
Address: Stokstraat 18 9770 Kruishoutem Belgium Voice: +32 9 388 93 97	Email: <a href="mailto:BNLtech@chauvetlighting.eu">BNLtech@chauvetlighting.eu</a> Website: <a href="http://www.chauvetprofessional.eu">www.chauvetprofessional.eu</a>
<b>Chauvet France</b>	
Address: 3, Rue Ampère 91380 Chilly-Mazarin France Voice: +33 1 78 85 33 59	Email: <a href="mailto:FRtech@chauvetlighting.fr">FRtech@chauvetlighting.fr</a> Website: <a href="http://www.chauvetprofessional.eu">www.chauvetprofessional.eu</a>
<b>Chauvet Germany</b>	
Address: Bruno-Bürgerl-Str. 11 28759 Bremen Germany Voice: +49 421 62 60 20	Email: <a href="mailto:DEtech@chauvetlighting.de">DEtech@chauvetlighting.de</a> Website: <a href="http://www.chauvetprofessional.eu">www.chauvetprofessional.eu</a>
<b>Chauvet Mexico</b>	
Address: Av. de las Partidas 34 - 3B (Entrance by Calle 2) Zona Industrial Lerma Lerma, Edo. de México, CP 52000 Voice: +52 (728) 690-2010	Email: <a href="mailto:servicio@chauvet.com.mx">servicio@chauvet.com.mx</a> Website: <a href="http://www.chauvetprofessional.mx">www.chauvetprofessional.mx</a>

Visit the applicable website above to verify our contact information and instructions to request support. Outside the U.S., U.K., Ireland, France, Germany, Benelux, or Mexico, contact the dealer of record.