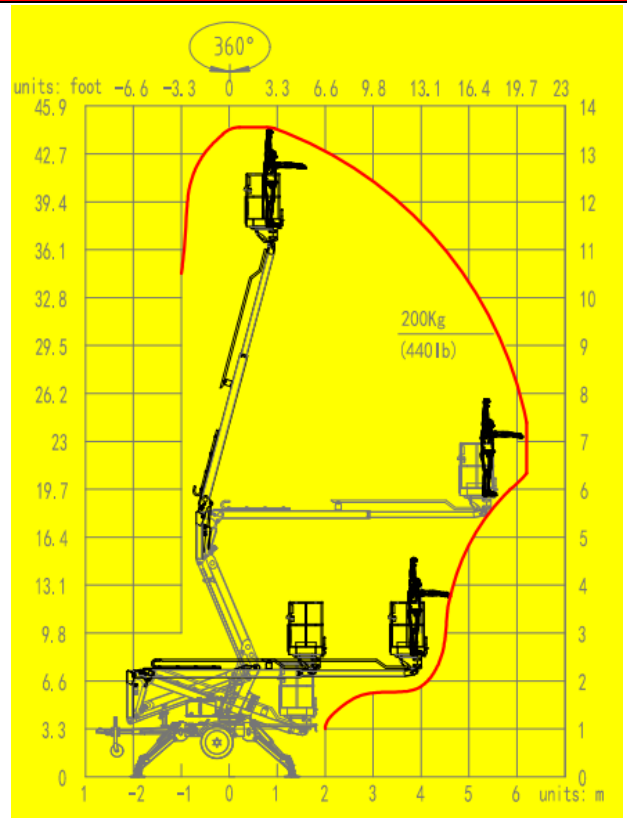


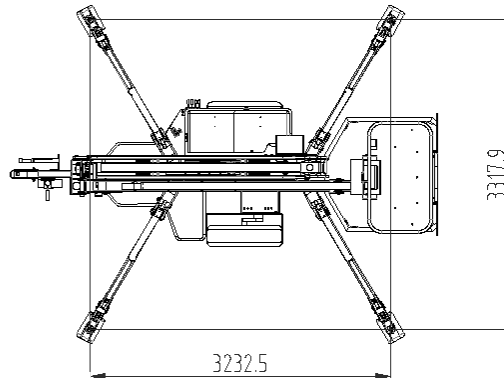
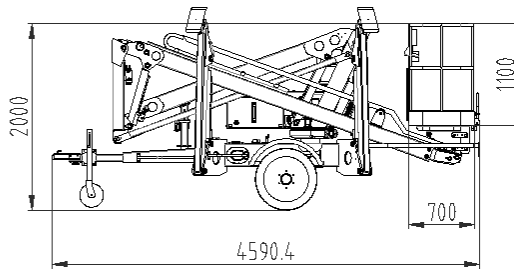
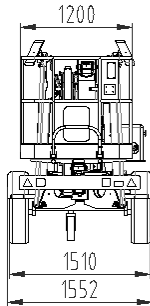


Standard Parameters

Model		P13	GP44
Max. work height	m	13.61	44.6'
Max. platform height	m	11.61	38'
Load capacity		230KG	500lb
Lateral Outreach	m	6.2m	20'
Jib movement		95°	
Turntable rotation		360° non-continuous	
Size of platform		0.9*0.8*1.1m	35" x 31" x 43"
Overall stowed length		4.59m	181"
Overall stowed width		1.55m	61"
Overall stowed height		2.00m	79"
Outrigger support size		3.23*3.32m	127" x 131"
Total weight		1700kg	3855lb
Travelling speed	km/h	80	
Work slope		30%	
Power source		Battery	



Technical data



Standard Features

- ▶ Compact design, simple and reliable
- ▶ Self-leveling platform
- ▶ Automatic Outriggers leveling
- ▶ 360°non-continuous turntable rotation
- ▶ Hydraulically arms and outrigger interlocks
- ▶ Made of high tensile steel
- ▶ Reach standards of ISO, CE and ANSI

