

**GOMAN**LIFT

*self-levelling Tracked-lift X08/GX26*



**self-levelling beyond  
scissor-lift!**

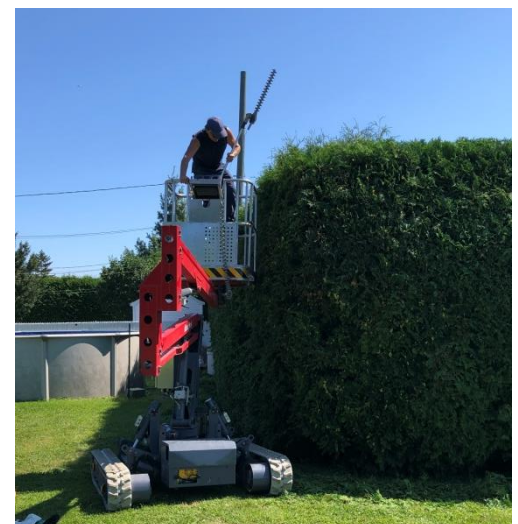
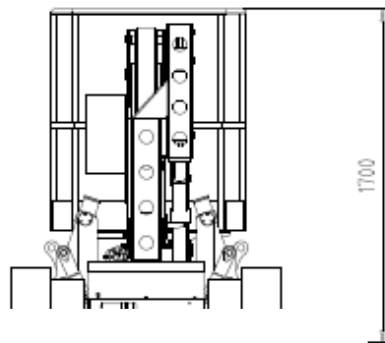
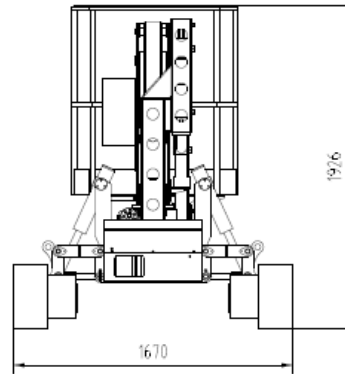
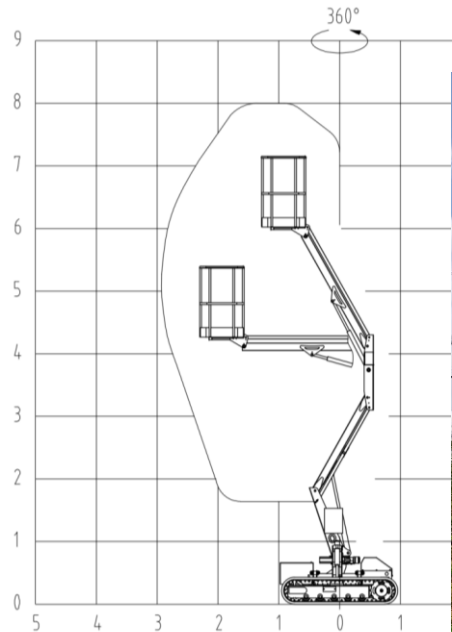
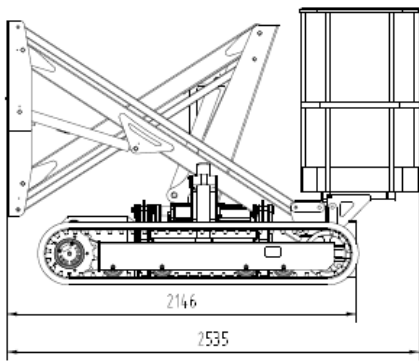


**Standard Parameters**

|  |                       |  |
|--|-----------------------|--|
| Model  | <b>X08</b>            | <b>GX26</b>                              |
| Max. work height   | m                     | 8.00 26'                                 |
| Max. platform height   | m                     | 6.00 20'                                 |
| Load capacity  | kg                    | 136 300lb                                |
| Lateral Outreach   | m                     | 2.9 9.5'                                 |
| Turntable rotation   | 360° non-continuous   |  |
| Size of platform   | m 0.9*0.7*1.1         |  |
| Overall stowed length  | m                     | 2.53 100"                                |
| Overall stowed width   | m                     | 1.39 45"                                 |
| Overall stowed height  | m                     | 1.70 67"                                 |
| Max width extension  | m                     | 1.67 65.7"                               |
| Total weight   | kg                    | 1085 lithium battery/<br>1140 gas engine |
| Track speed with battery km/h                                      | 0-5.0                 |  |
| Track speed with engine km/h                                       | 0-3.0                 |  |
| Work slope   | 17 ° ( 10 ° side up ) |  |
| Dual Power for hydraulic drive:<br>(One Power in case of DC drive) |                       |  |
| lithium battery 24V  | 140Ah                 |  |
| gas engine + AC 1.5hp  | Vanguard V25          |  |

\*we reserve the right to make technical alternation.

**Dimension for X08**



**Standard Features**

- ▶ German made controller and quality components, HMI interface
- ▶ Lowering (emergency lowering) without power
- ▶ Allow traction at 0.3km/h under ±1.5° unless intervention
- ▶ Load sensor and detachable basket
- ▶ Compact design for indoor and outdoor use, dual axle adjustable
- ▶ Double axle adjustment allowing work in slope
- ▶ radio control;
- ▶ Adjustable crawlers feature narrow access
- ▶ AC 16A outlet in basket
- ▶ 360°non-continuous turntable rotation
- ▶ Made of high tensile steel
- ▶ Comply with standards of ISO, CE and ANSI/CSA

**Goman Lift** Tel: 514 318 6826 [gomanlift@outlook.com](mailto:gomanlift@outlook.com)  
 Address: 8100G Trans Canada Route, Saint Laurent, QC H4S 1M5  
*Distributed by:*