

GOMAN LIFT *Spider X12*

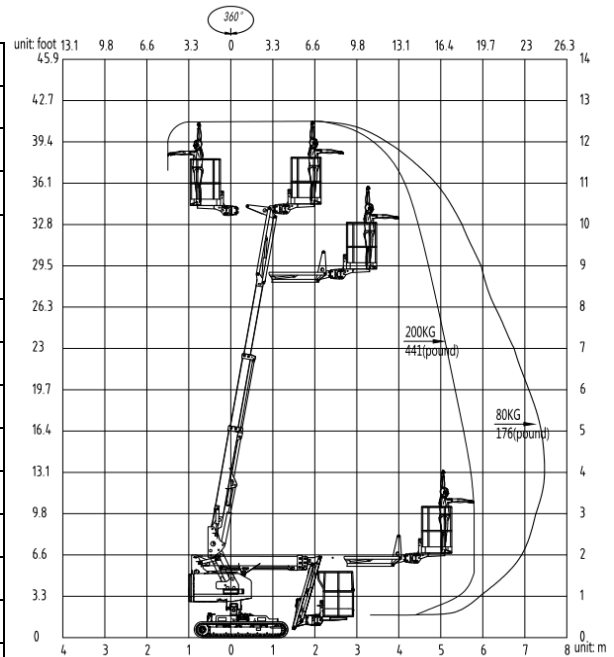
GX39



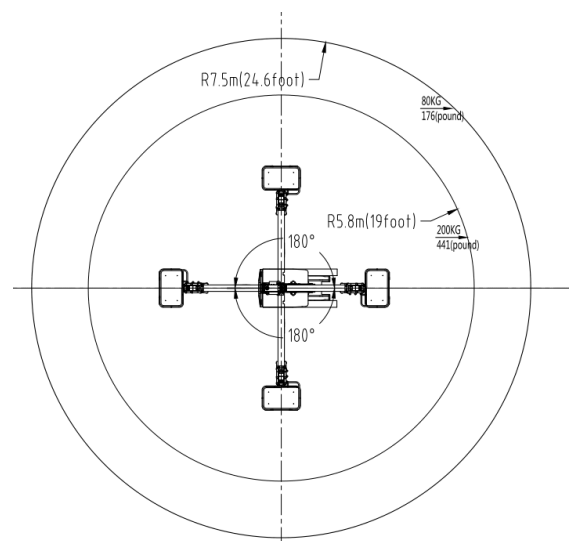
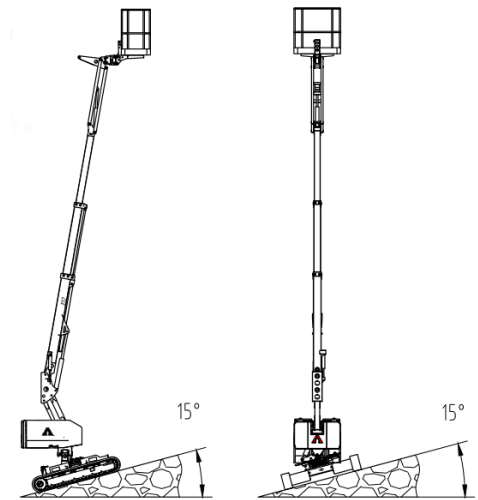
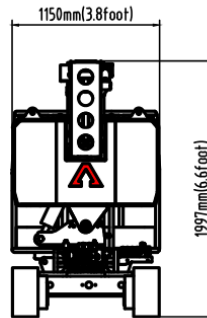
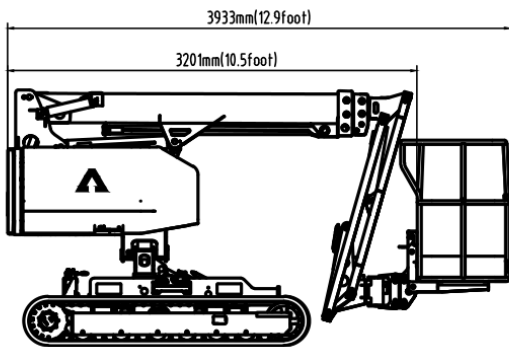
X12

Standard Parameters

Model	X12	GX39
Max. work height	12.00m	39'
Max. platform height	10.00m	33'
Load capacity	200kg	441lb
Max. working radius	5.8m at 200kg 7.5m at 80kg	19' at 441 lbs 24.6' at 176 lbs
Size of platform	1.4*0.7*1.1m	55" x 28" x 43"
Overall stowed length	3.93m	155"
without basket	3.20m	126"
Overall stowed width	1.15m	45"
Overall stowed height	1.98m	78"
Total weight	2920kg	6437lb
Driving speed km/h	0-4.0	
Max. work slope	15°	
Max. climbing ability	30%	
Standard dual power sources	Lithium Battery 24V 160Ah + Gas Engine	



Machine dimensions



Standard Features

- ▶ **Compact design, work in all directions without outriggers!**
- ▶ German made HMI and controller for redundant control.
- ▶ Emergency descend system
- ▶ 360° continuous turntable rotation
- ▶ double axles adjustable
- ▶ Comply with standards of ISO, CE and ANSI/CSA

Goman Lift Tel: 514 318 6826 gomanlift@outlook.com

Add: 8100G Trans Canada Route, Saint Laurent, QC H4S 1M5