



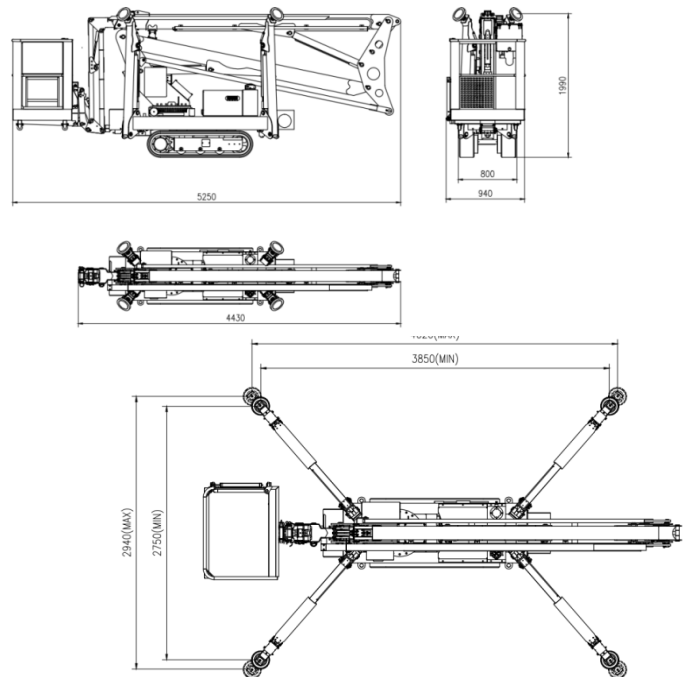
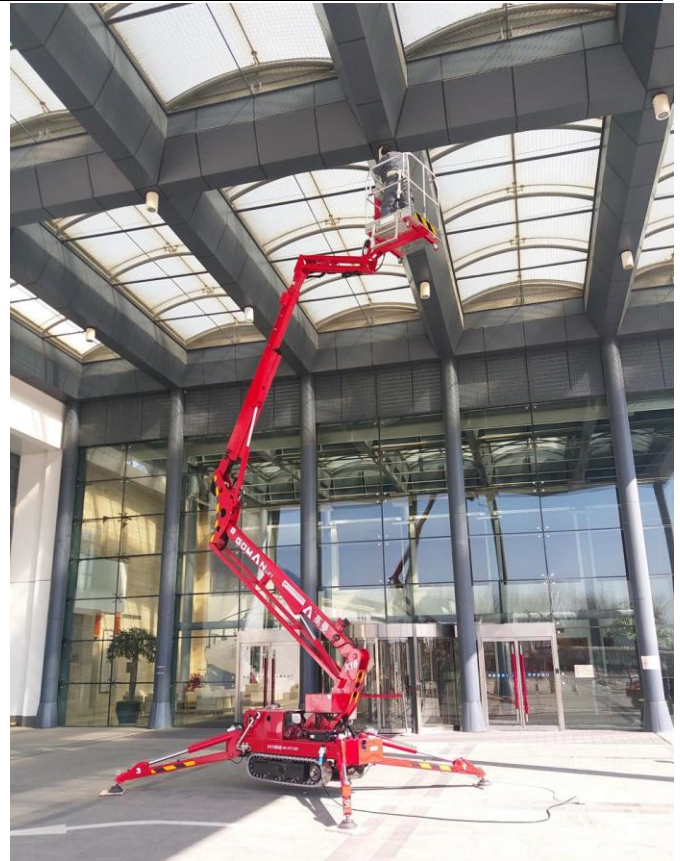
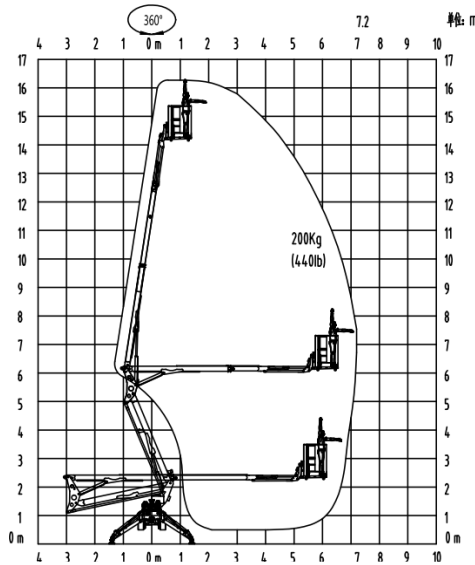
# Spider X16(GX53)

## Standard Parameters

Model		X16	GX53
Max. work height	m	16.30	53'
Max. platform height	m	14.30	47'
Load capacity	kg	200	440lb
Lateral outreach	m	7.20	24'
Jib articulation			90°
Turntable rotation			359°
Size of platform		0.9*0.8m	36" x 31.5"
Overall stowed length		5.25m	207"
Overall stowed width		0.80m	36"
Overall stowed length		1.99m	78"
Total weight		1900kg	4189lb
Driving speed	km/h		0-2.2
Work slope			20%
Climbing ability			30%
<b>Standard: 2 power sources :</b>		Vanguard 400 (14hp)	
		AC 220v 3hp/110 V1.5hp US	
optional for emergency purpose		Lithium battery 12V 100Ah	

\*We keep the right to alternate.

## Technical data



## Standard Features

- ▶ Compact design, AC 16A outlet in the basket
- ▶ German made HMI and PLC controller, stainless control box
- ▶ cable control, integrated radio function for free
- ▶ Self-leveling basket, and interchangeable with hydraulic winch or other hydraulic tools as option
- ▶ Automatic outrigger leveling and basket rotation
- ▶ hydraulic adjustable crawlers for height and width
- ▶ Hydraulically arms and outrigger interlock
- ▶ Weight dispersal low ground pressure
- ▶ Made of high tensile steel, hot dip galvanized boom available
- ▶ Reaches standards of ISO, CE and ANSI/CSA

## X18 (GX60) Price for Standard Parameters & Features

### Optional

Diesel engine Kubota Z482	+ US\$5200	Lithium battery lowering system+	US\$1100
Lead-acid battery 48V 165Ah	+ US\$3100	2 <sup>nd</sup> lithium battery power	+ US\$2600
Lithium battery 48v 250Ah	+ US\$5100	Hydraulic tool outlet	+ US\$480

**Contact:** Goman Lift Tel: 514 318 6826 [gomanlift@outlook.com](mailto:gomanlift@outlook.com)  
**Address:** 8100G Trans Canada Route, Saint Laurent, QC H4S 1M5