

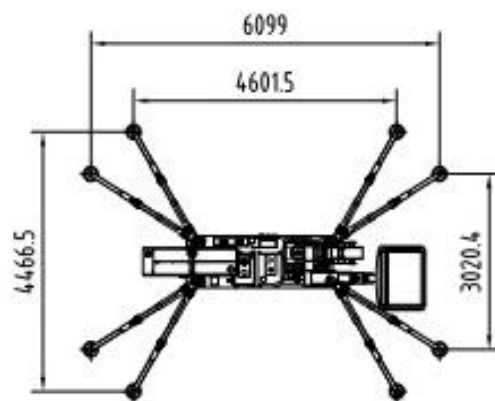
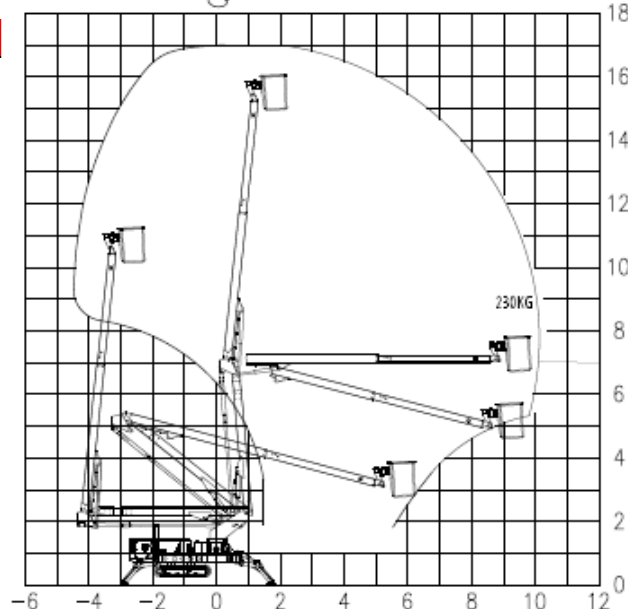
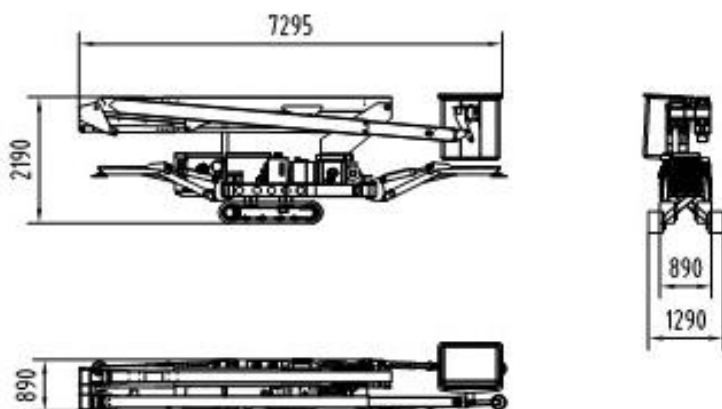


Insolated Spider Lift X17C

Standard Parameters

| Model | X17C | GX56C |
|-------------------------------------|---------------|-------------|
| Max. work height | 17.00m | 56' |
| Max. platform height | 15.00m | 49' |
| Load capacity | 230kg | 507lb |
| Lateral Outreach | 9.80m | 32' |
| Jib rotation | 90° | |
| Turntable rotation | 359° | |
| Size of platform | 1.2*0.6m | 48" x 24" |
| Overall stowed length | 7.30m | 287" |
| Overall stowed width | 0.89m | 35" |
| Extendable width | 1.29m | 51" |
| Overall stowed height | 2.19m | 86" |
| Outrigger support size (Wide leg) | 4.47*4.60m | 176" x 181" |
| Outrigger support size (Narrow leg) | 3.02*6.10m | 119" x 240" |
| Driving speed km/h | 0-2.5 | |
| Max. work slope | 20% | |
| Max. climbing ability | 30% | |
| Total weight | 3800kg | 8370lb |
| Power source: diesel engine | Yanmar/Kubota | 18KW |

Technical data



Features:

- ▶ 35" width, compact design for backyard use
- ▶ Dual leveling bars for safety; forklift boots for lifting
- ▶ Hydraulic extendable crawlers
- ▶ Emergency button at bucket and ground
- ▶ Emergency descending battery power pack
- ▶ One joystick movement available in the bucket
- ▶ Outriggers manual leveling, automatically as optional
- ▶ Fully hydraulic control for arms
- ▶ Made of high tensile steel, hot dip galvanized boom available
- ▶ Hydraulically arms and outrigger interlock
- ▶ Radio control for the traction (outriggers as optional)
- ▶ Basket elevation 500mm/19.6" as optional
- ▶ Hydraulic tool outlet in the bucket as optional
- ▶ Reach standard of ANSI 92.2