

GOMANLIFT

Spider X18

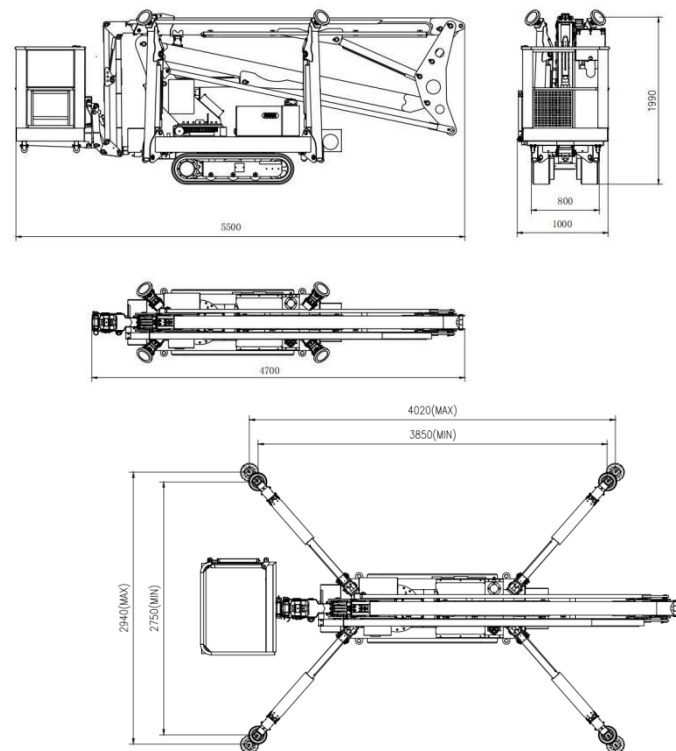
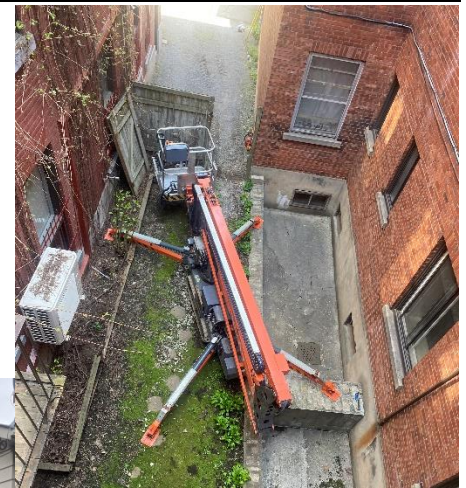
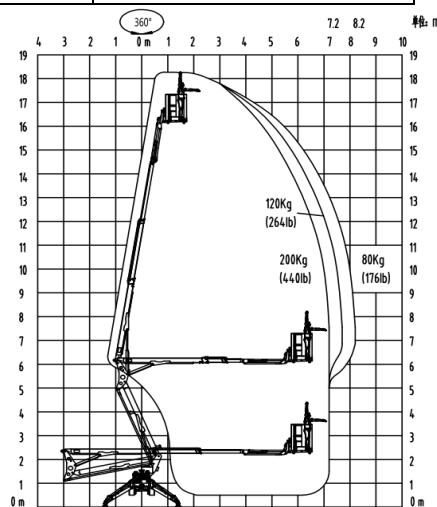
GX60



Standard Parameters

Model	X18	GX60
Max. work height	18.30m	60'
Max. platform height	16.30m	52'
Load capacity	200kg	440lb
Lateral Outreach	7.20m(8.30m 80kg) 24'/27'	
Jib articulation	90° (120° optional)	
Turntable rotation	359°	
Size of platform	1.0*0.8m	39" x 31.5"
Overall length(*basket stowed side)	5.5m/5.0m*	18'/16.4'
Overall length (removed basket)	4.70m	15.4'
Overall width (removed basket)	0.80m	31"
Overall height	1.99m	78"
Total weight (alternate with options)	2200kg	4850lb
Driving speed km/h	0-2.5	
Max. work slope	20%	
Max. climbing ability	30%	
Standard 2 power sources:	Vanguard 400 (14hp)	
(3 rd power lithium battery optional)	AC 220v 3hp/110V1.5hp US	
Optional power: emergency lowering	Lithium battery 12V 100Ah	

Technical data



Standard Features

- ▶ Compact design, AC 16A outlet in the basket
- ▶ German made HMI and PLC controller, stainless control box
- ▶ cable control, integrated radio function for free
- ▶ Self-leveling basket, and interchangeable with hydraulic winch or other hydraulic tools as option
- ▶ Automatic outrigger leveling and basket rotation
- ▶ hydraulic adjustable crawlers for height and width
- ▶ Hydraulically arms and outrigger interlock
- ▶ Weight dispersal low ground pressure
- ▶ Made of high tensile steel, hot dip galvanized boom available
- ▶ Reaches standards of ISO, CE and ANSI/CSA

X18 (GX60) Price for Standard Parameters & Features

Optional

Diesel engine Kubota Z482	+ US\$5200	Lithium battery lowering system+	US\$1100
Lead-acid battery 48V 165Ah	+ US\$3100	2 nd lithium battery power	+ US\$2600
Lithium battery 48v 250Ah	+ US\$5100	Hydraulic tool outlet	+ US\$480

Contact: Goman Lift Tel: 514 318 6826 gomanlift@outlook.com
 Address: 8100G Trans Canada Route, Saint Laurent, QC H4S 1M5