

Spider X24 (GX79)

GOMAN LIFT *Spider X24*

GX79



Spider X24 (GX79)

We reserve the right to alternate!

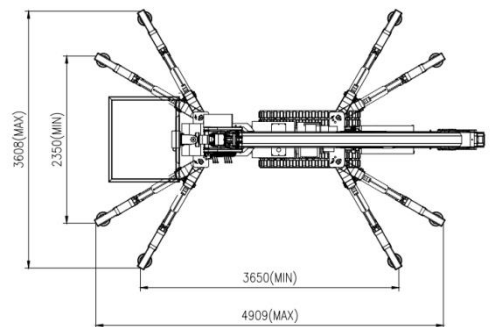
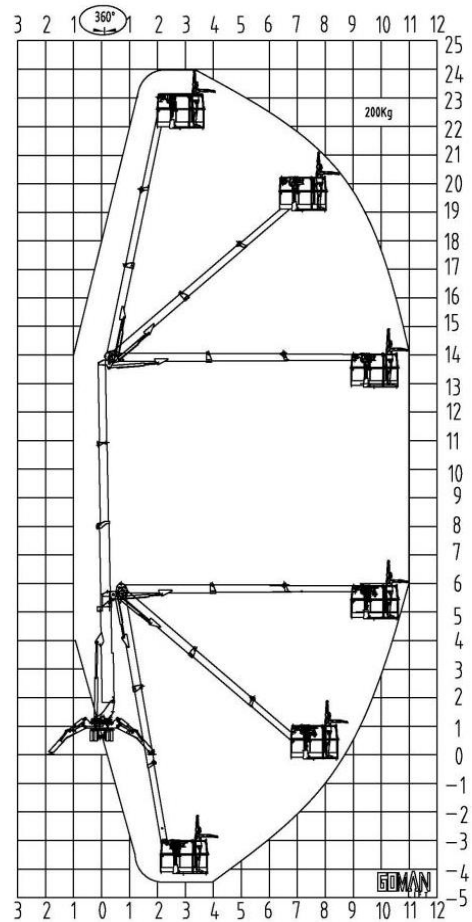
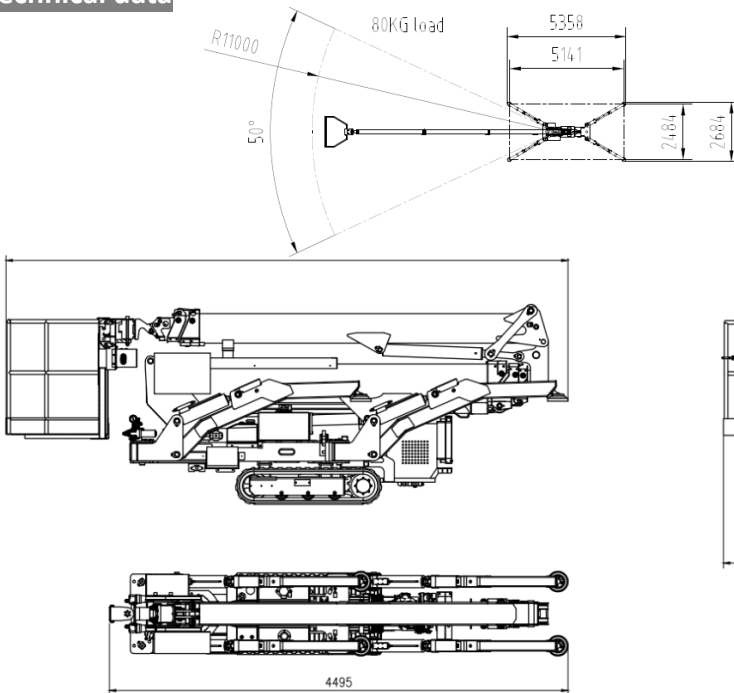
www.gomanlift.com

Spider X24 (GX79)

Standard Parameters

Model	X24	GX79
Max. work height	24.00m	79'
Max. platform height	22.00m	72'
Load capacity	200kg	440lb
Lateral Outreach	11.00m	36"
Basket rotation		180°
Jib rotation		180°
Turntable rotation		360°
Size of platform	1.2*0.8m	47" x 32"
Overall stowed length	5.505m	217"
Overall stowed length(removed basket)	4.495m	177"
Overall stowed width(removed basket)	0.80m	31"
Overall stowed height	1.96m	77"
Total weight	3160kg	6967lb
Driving speed km/h		0-2.2
Max. work slope		20%
Max. climbing ability		30%
Dual power sources	AC + Diesel engine Kubota D722	

Technical data



Standard Features

- ▶ Compact design with stainless control box
- ▶ HMI and redundant PLC controller made in Germany
- ▶ 230v(110) 15A outlet in the work platform
- ▶ Auto-leveling outriggers, with basket detachable
- ▶ Hydraulic extendable crawlers
- ▶ 360°non-continuous turntable rotation
- ▶ Hydraulically arms and outrigger interlocks
- ▶ Radio + cable control for all movements
- ▶ Made of extra high tensile SSAB steel
- ▶ Reach standards of ISO, CE and ANSI latest version

X24 (GX79) Standard Parameters &Features

Lead-acid battery 72V 200Ah + US\$6300 Lith battery auxiliary 48v200Ah + US\$4200
 Lithium battery 72v 200Ah + US\$9300