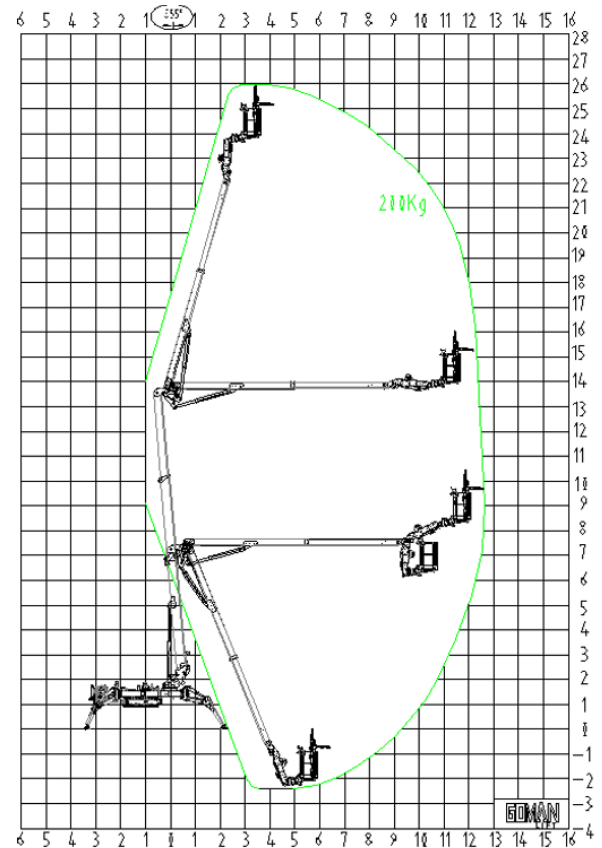




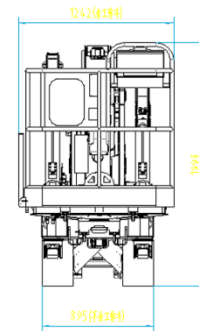
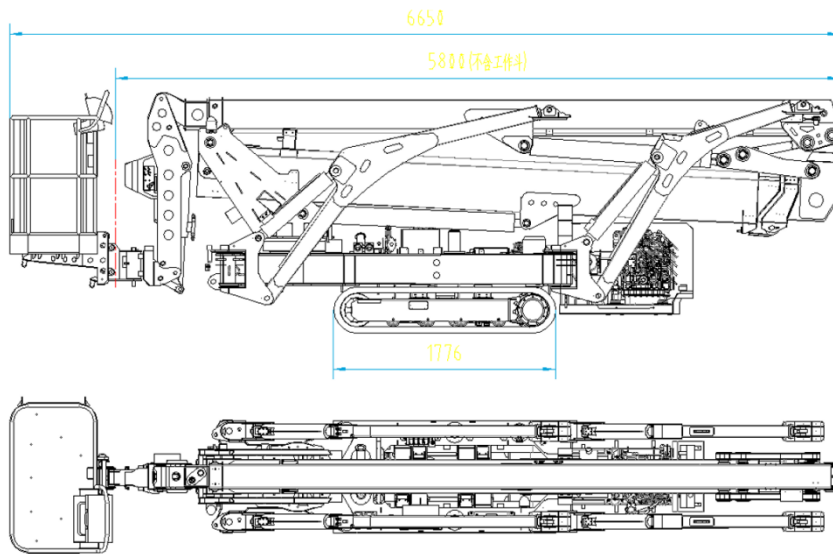
Spider X26 (GX85)

Standard Parameters

Model	X26	GX85
Max. work height	26m	85'
Max. platform height	24m	79'
Load capacity	200-250kg	441- 551lb
Lateral Outreach	12.6m	41'
Basket rotation		±90°
Jib rotation		120°
Turntable rotation		355° non continuous
Size of platform	1.2*0.8*1.1m	47" x 31" x 43"
Overall stowed length	6.65m	262"
Overall stowed width	1.24m	49"
Overall stowed height	1.99m	78"
Overall stowed length (Removed basket)	5.8m	228"
Overall stowed width (Removed basket)	0.895m	35"
Total weight	4980 kg	10,979 lb
Driving speed km/h		0-2.2
Max. work slope		20%
Max. climbing ability		30%
Dual Power sources : 230v(110V) AC +	Diesel engine 18.5Kw	



Technical dimension



Standard Features

- ▶ Compact design; German made IFM controller with HMI
- ▶ Hydraulic extendable crawlers for the adjusting height and width
- ▶ Electric emergency lowering
- ▶ Auto-leveling basket and outriggers
- ▶ Radio control for all movement
- ▶ 360° non-continuous turntable rotation
- ▶ Hydraulically arms and outrigger interlocks
- ▶ Redundant load sensor, detachable basket
- ▶ 230v(110v 60Hz) 50Hz 16A outlet in the work platform
- ▶ Cylinder cover and winch available as option
- ▶ Reach standards of ISO, CE and ANSI

