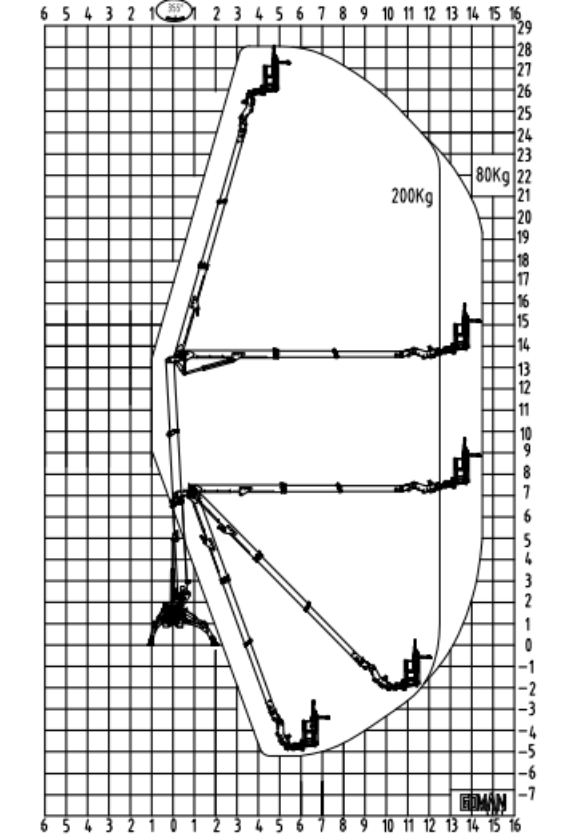




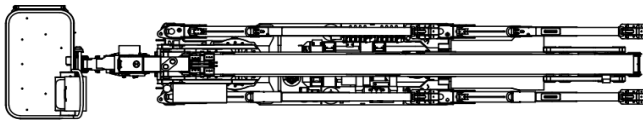
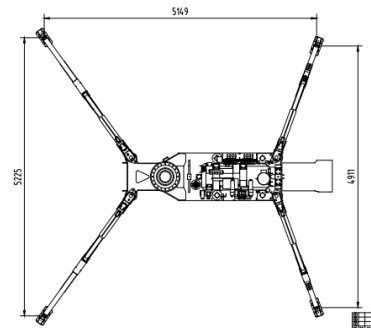
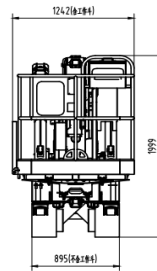
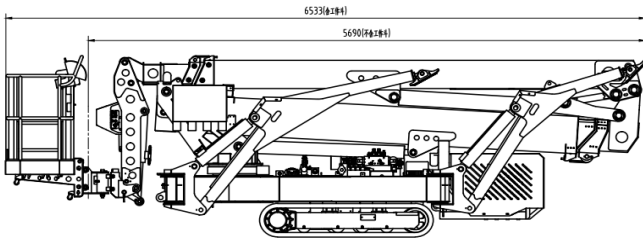
Spider X28 (GX92)

Standard Parameters

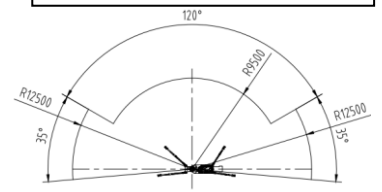
Model	X28	GX92
Max. work height	27.99m	92'
Max. platform height	25.99m	85'
Load capacity	200kg	440lb
Lateral Outreach	14.70m (80kg)	46'
Basket rotation	180°	
Jib rotation	90/120° (optional)	
Turntable rotation	360° non continuous	
Size of platform	1.2*0.8m	47" x 32"
Overall stowed length	6.53m	257"
	1.24m	49" with basket
Overall stowed width	0.895m	35.2" without basket
	1.99m	78"
Overall stowed height	1.99m	78"
Total weight	4600kg	10,141lb
Driving speed km/h		0-2.2
Max. work slope		20%
Max. climbing ability		30%
Standard 2 Power Sources	230V(110V 60Hz) AC power + Diesel engine 18.5Kw	



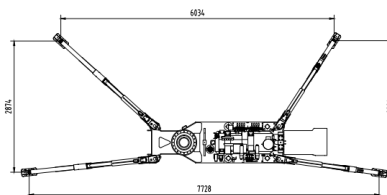
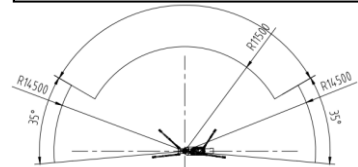
Technical dimension



3.5m Narrow Outrigger at 200kg



3.5m Narrow Outrigger at 80kg



Standard Features

- ▶ German made IFM controller with HMI and valves
- ▶ Hydraulic extendable crawlers for adjusting height and width
- ▶ Battery emergency lowering (optional)
- ▶ Auto-leveling basket and outriggers
- ▶ Radio (+ cable) control for all movement
- ▶ 360°non-continuous turntable rotation
- ▶ Hydraulically arms and outrigger interlocks
- ▶ Load sensor, detachable basket
- ▶ 230v(110v 60Hz) 50Hz 16A outlet in the work platform
- ▶ Reaches standards of ISO, CE and ANSI/CSA

X28 (GX92) Price for Standard Parameters & Features

Options:

Hydraulic tool outlet	+ US\$480	Lithium battery lowering system+	US\$1100
Traction battery 80V 225Ah	+ US\$7100	Li battery 3 rd power 48V 250Ah +	US\$5800
Lithium battery 72v 215Ah	+ US\$9300	360 ° continuous rotation	+ US\$2100

Contact: Goman Lift Tel: 514 318 6826 gomanlift@outlook.com
Address: 8100G Trans Canada Route, Saint Laurent, QC H4S 1M5