

THE CRANE GUY
Raptor “Rig”shaw
\$250/Day*



*additional accessories at additional costs

Item Description	Qty
Hard Case	1
Cheese Plate (including wheel mounting and handle support set)	1
Handle (pre assembled, 2-tubes and 02 T-joint fittings)	1
Handle Support Set (installed on cheese plate)	1
Black Tube 32”	4
Black Tube 32” (For Arm Handle Extension)	2
Black Tube 15” (T-connector) (For Arm Handle Extension)	1
Sleeve Joint Tube Clamp (For Arm Handle Extension)	2
Black Tube 38 1/4” (For Stedicam Mounting)	1
Dual Swivel Quick Release Clamp	4
Floor Flange Pipe Fitting	1
Swivel Caster Wheel 10” for steering	1
Rickshaw Main Wheels (spoked)	2
Fat Wheels	2
Small seat	1
Seat with backrest	1
Seat Tube (Telescopic)	1
Assorted Bolts	



RAPTOR RICKSHAW 3 ASSEMBLING INSTRUCTION

1. Cheese Plate (including wheel mounting brackets and handle mounting bracket)
2. Small Handle Tubes (32")
3. Black Tube 15" (T-connector) (For Arm Handle Extension)
4. Handle Support set (for supporting and adjusting handle angle)
5. Floor Flange
6. Seat Tube (Telescopic)
7. Stedicam Mounting Kit (2-32' tubes and 1-381/4" tube)
8. Handle (pre assembled) to add additional length to handle use the pre assembled Black Tube 15" with T-connector and Sleeve Joint Tube Clamps



Assorted tubes



Handle (Preassembled)



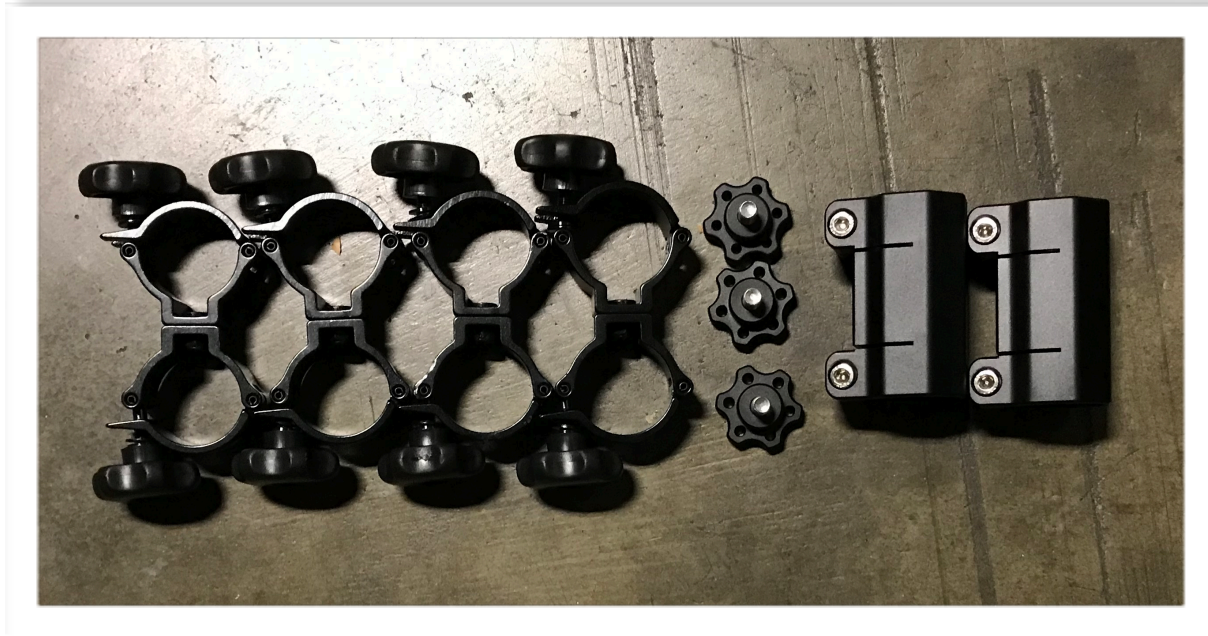
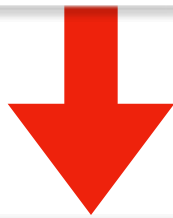
Tubes Bag for packing



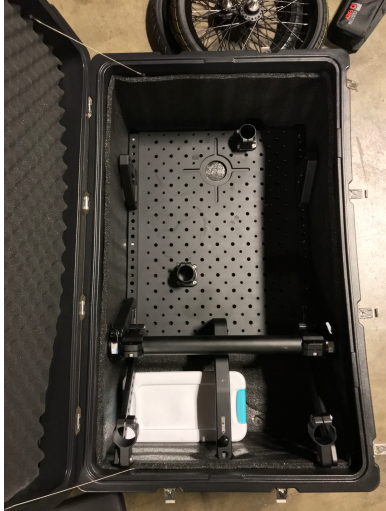
Swivel Caster Wheel
10" for steering



Seat Options



4 Dual Swivel Clamps
3 Machine bolts for attaching wheels
2 Sleeve Joint Tube Clamp (For Arm Handle Extension)



Cheese Plate
with parts box
and spare
parts bag



Add tubes bag



Add Stedicam
tube

Add small seat
back and



Add tires



Add Seat with
back



RAPTOR RICKSHAW ASSEMBLING INSTRUCTION



Raptor Rickshaw Disassemble Overview



Install the Handle

Assemble and lock the tubes



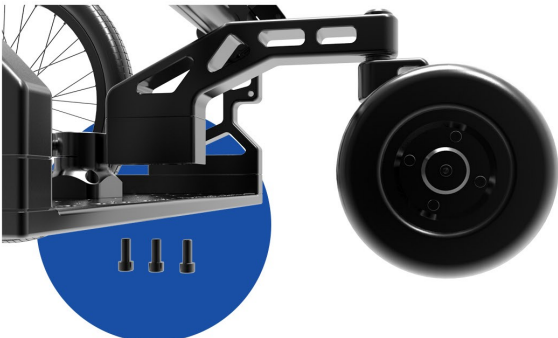
Install the Wheel

Assemble the twist lock to suitable holes (low or high mode) based on your demand.



Install the Castle Wheel

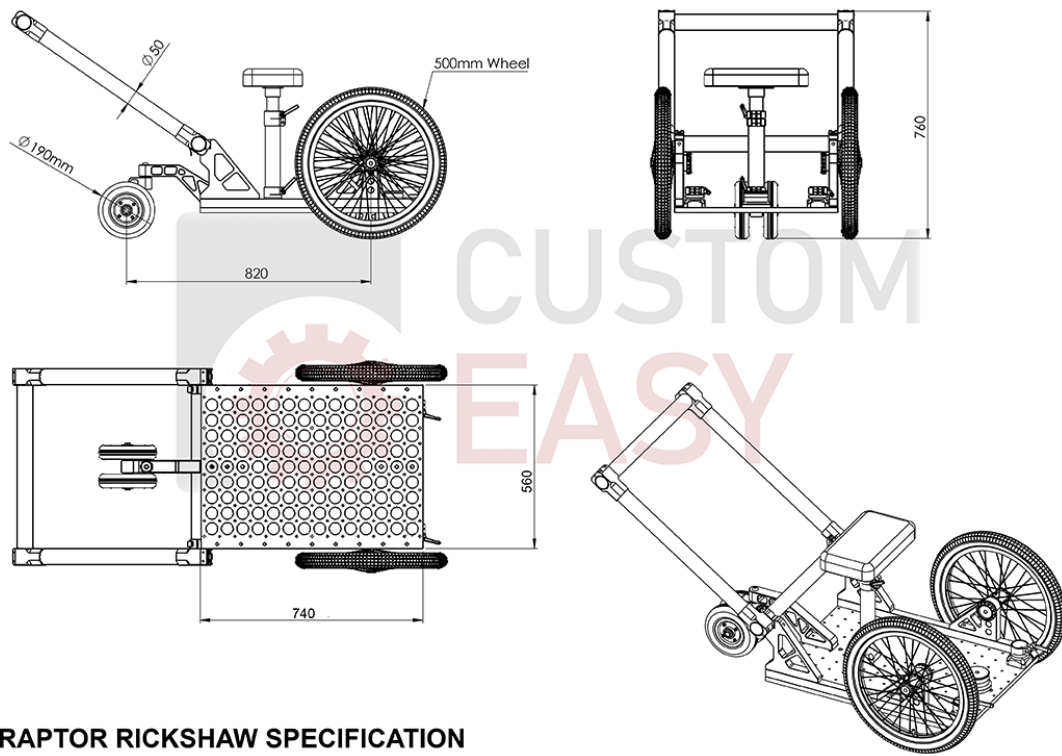
Assemble the adapter via screws built-in



Install the Wheel

Assemble and lock the seat tube





RAPTOR RICKSHAW SPECIFICATION

Made by Custom Easy