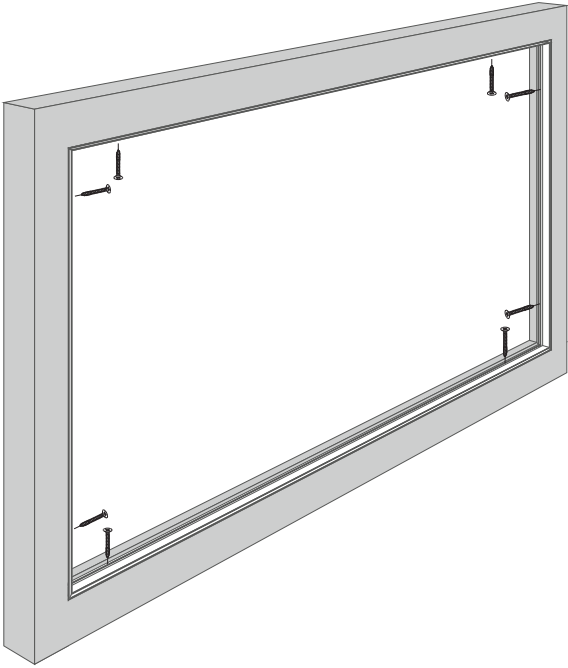
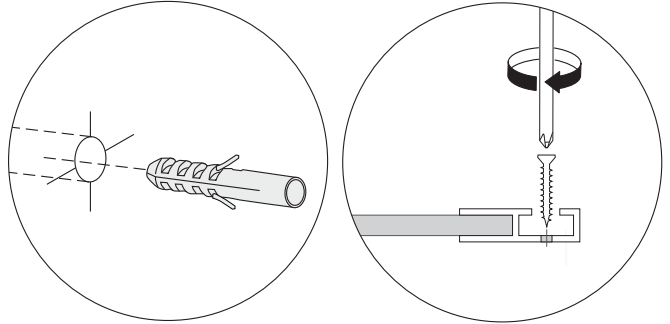
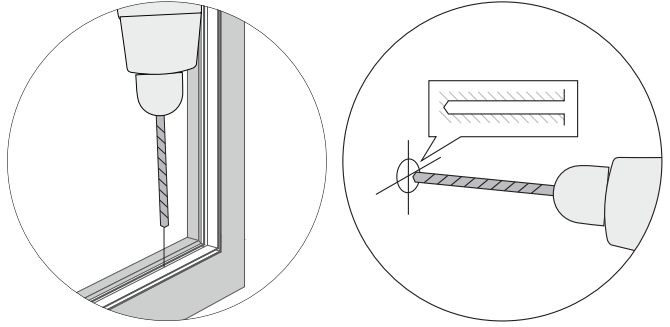


1



CABINET 30



2

