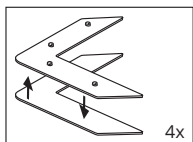
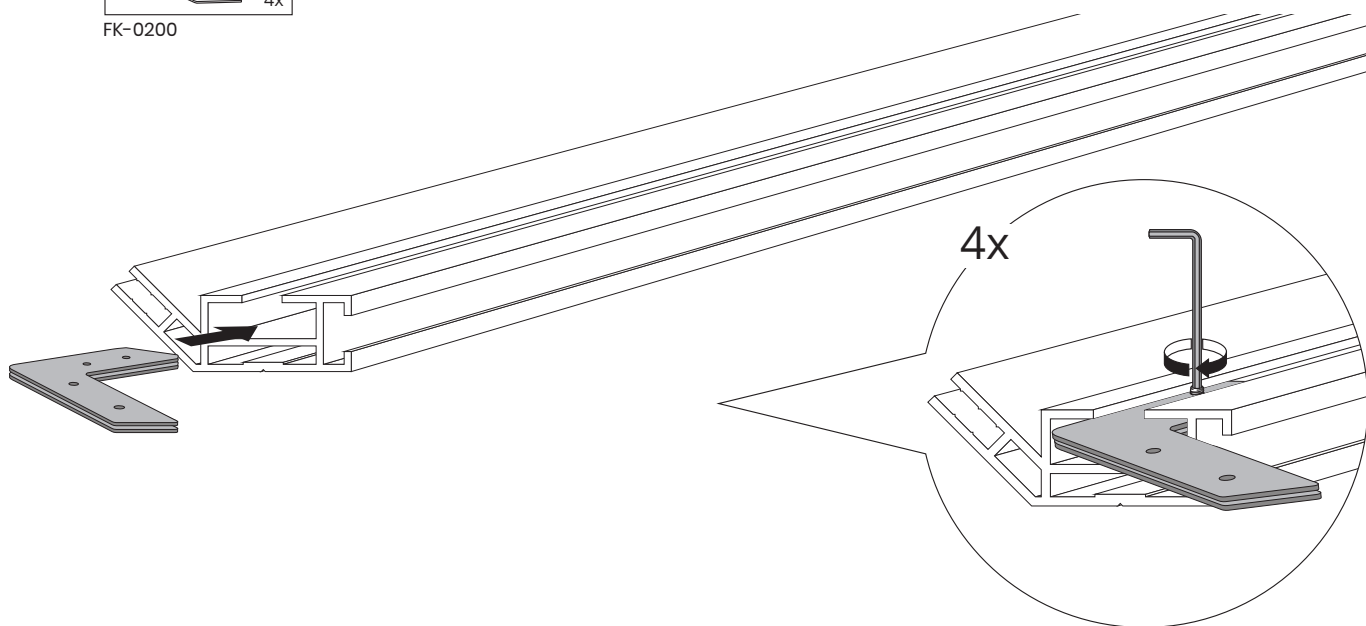


1

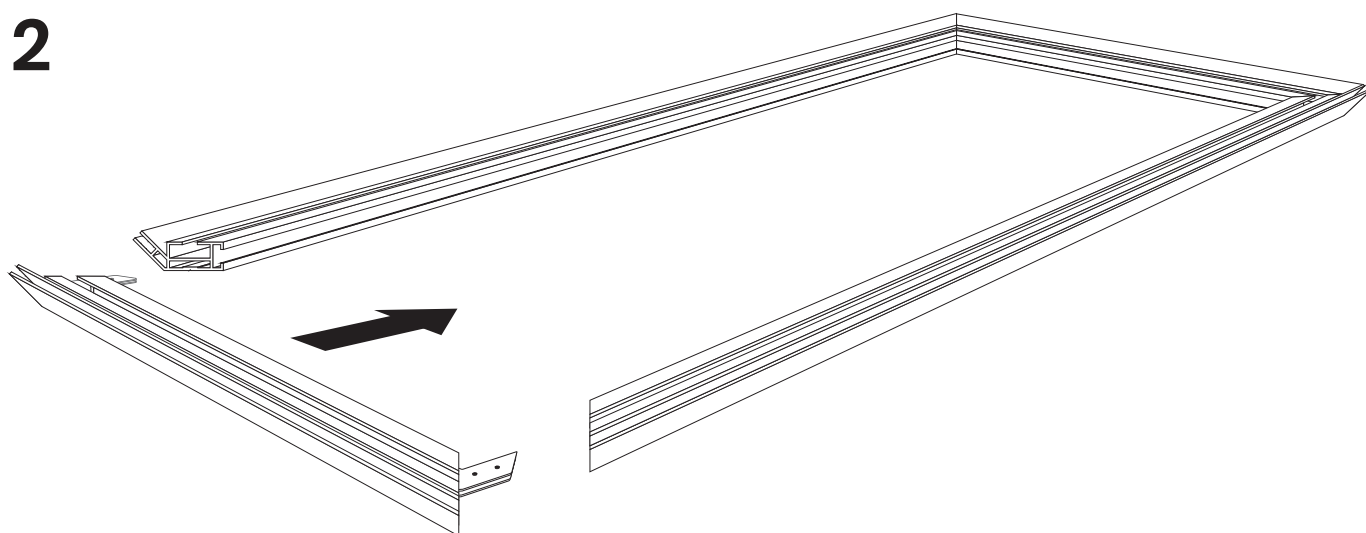


FK-0200

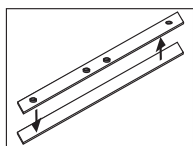
HEAVY 26 45°



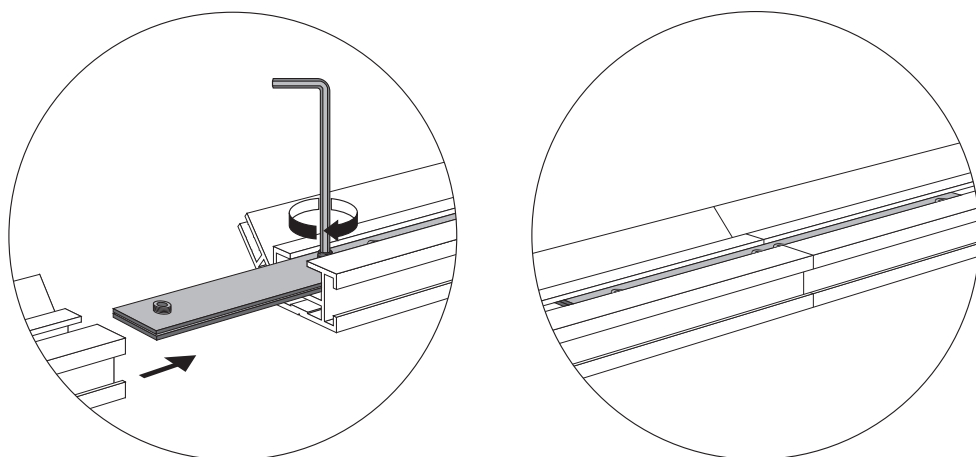
2



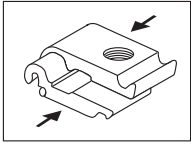
OPTION FOR EXTENSION



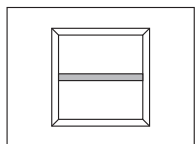
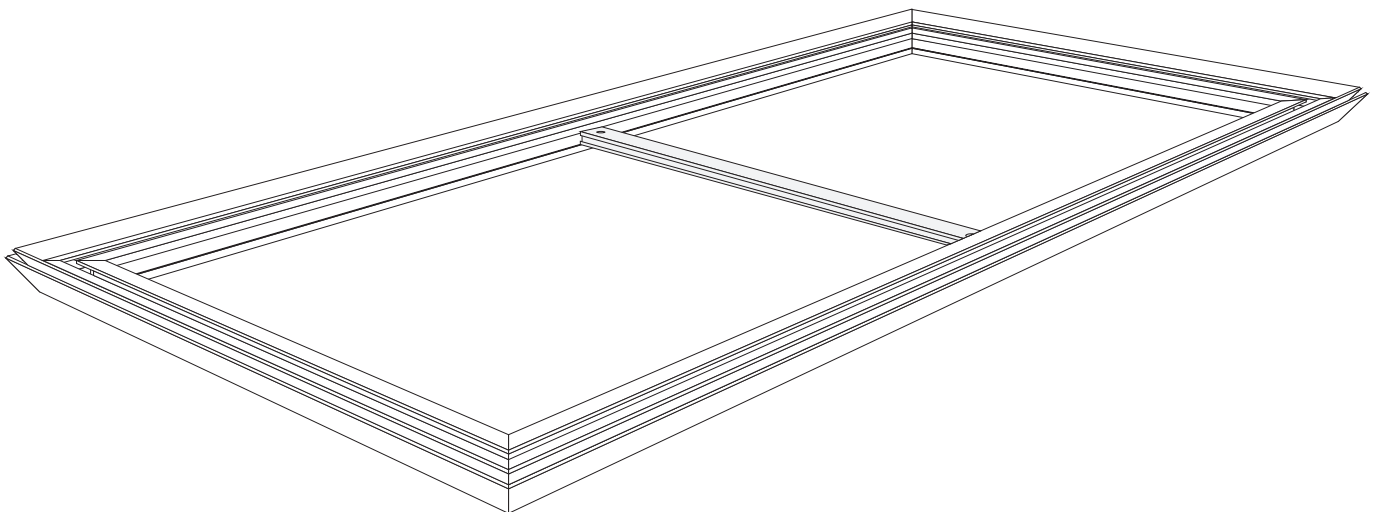
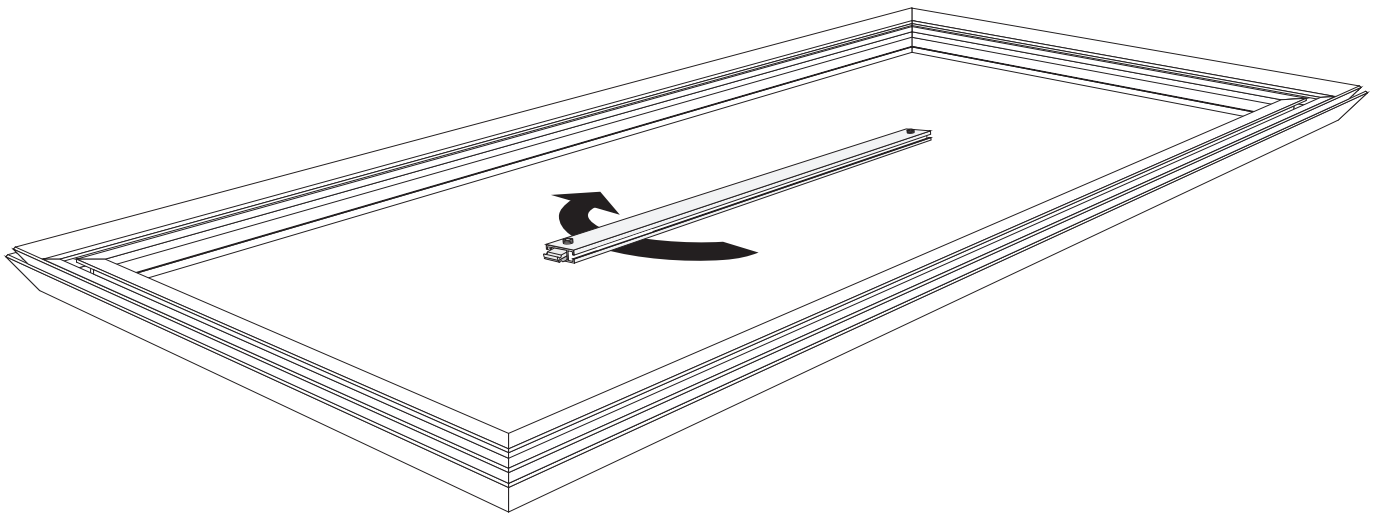
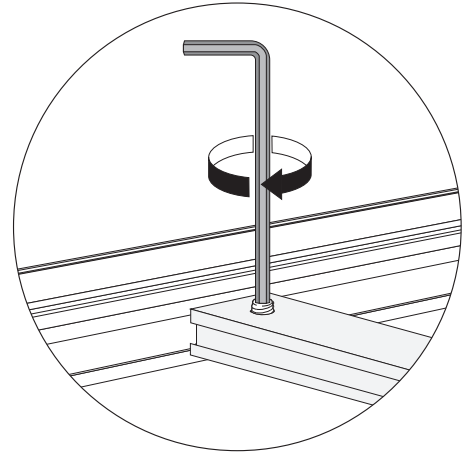
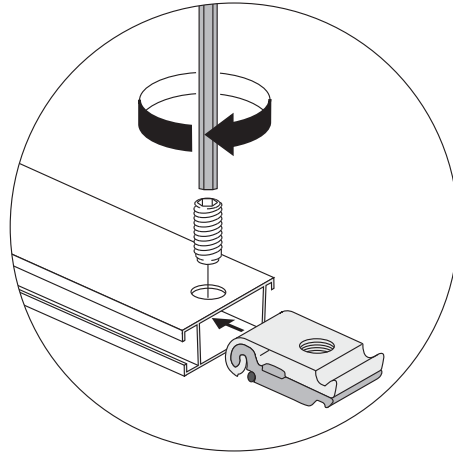
FK-0500



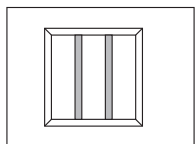
OPTION FOR STABILIZE



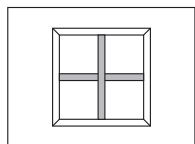
FK-0220



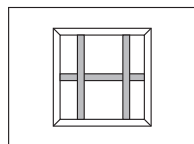
Option 1



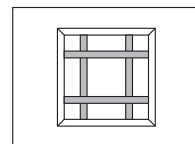
Option 2



Option 3



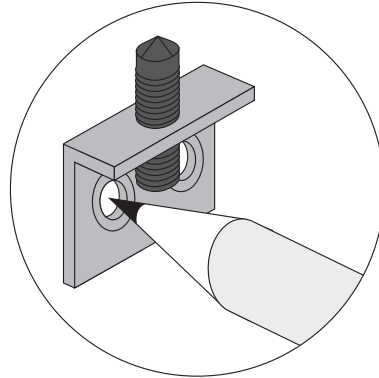
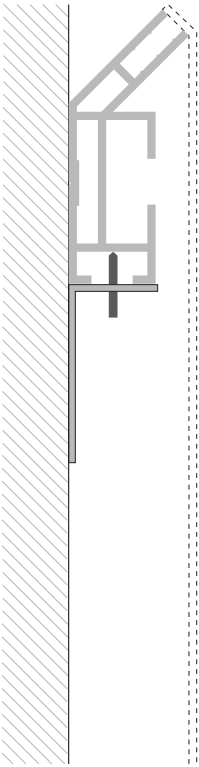
Option 4



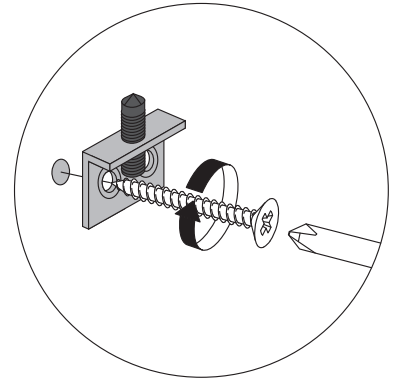
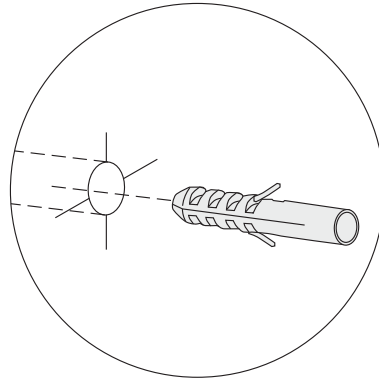
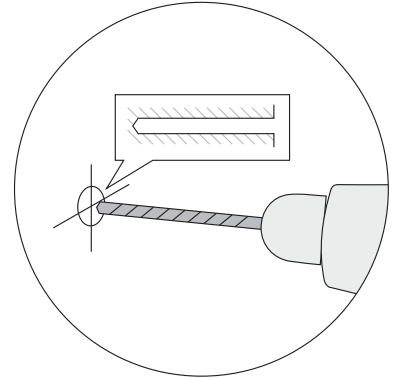
Option 5

3

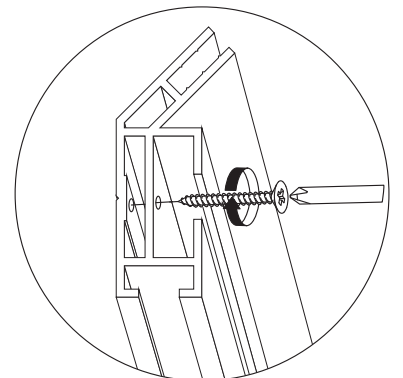
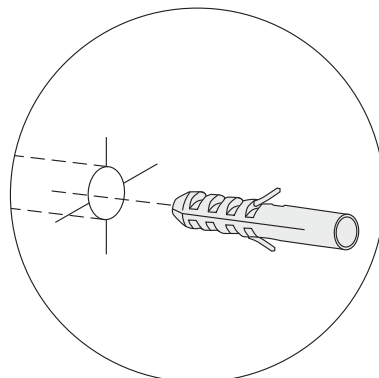
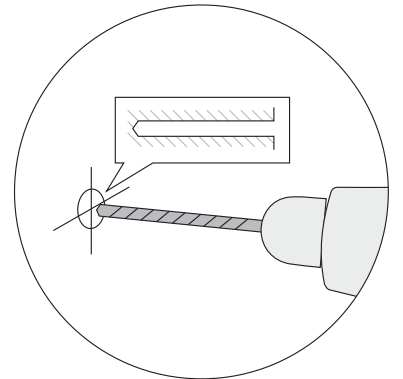
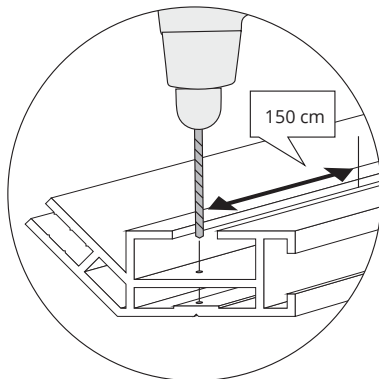
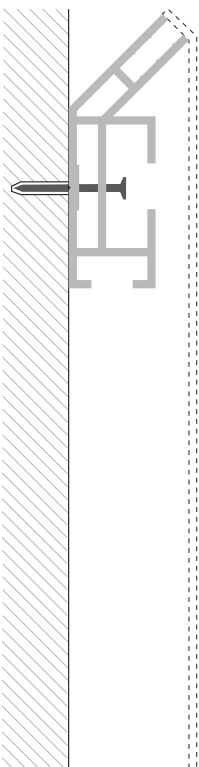
WALL MOUNTING



FK-0400/FK-0410



DRILLING



4

