

# RAMMER 555E SCALER



EXCELLENCE LINE

ROBUST SIDE PLATE DESIGN

CBE  
(CONSTANT BLOW ENERGY)

OPTIMIZED OPERATING  
PRESSURE (SCALER)

SINGLE PART TOOL  
BUSHING RETAINED WITH  
SHARED TOOL PIN

CONNECTION FOR  
EXTERNAL LUBRICATION

CONNECTION FOR  
EXTERNAL AIR SUPPLY

CONNECTION FOR EXTERNAL  
WATER SUPPLY

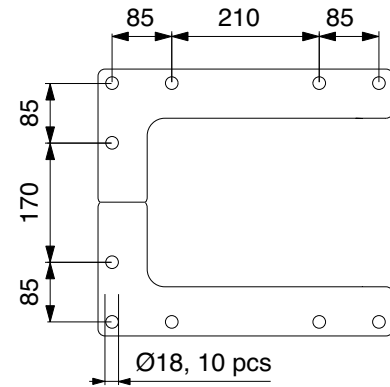
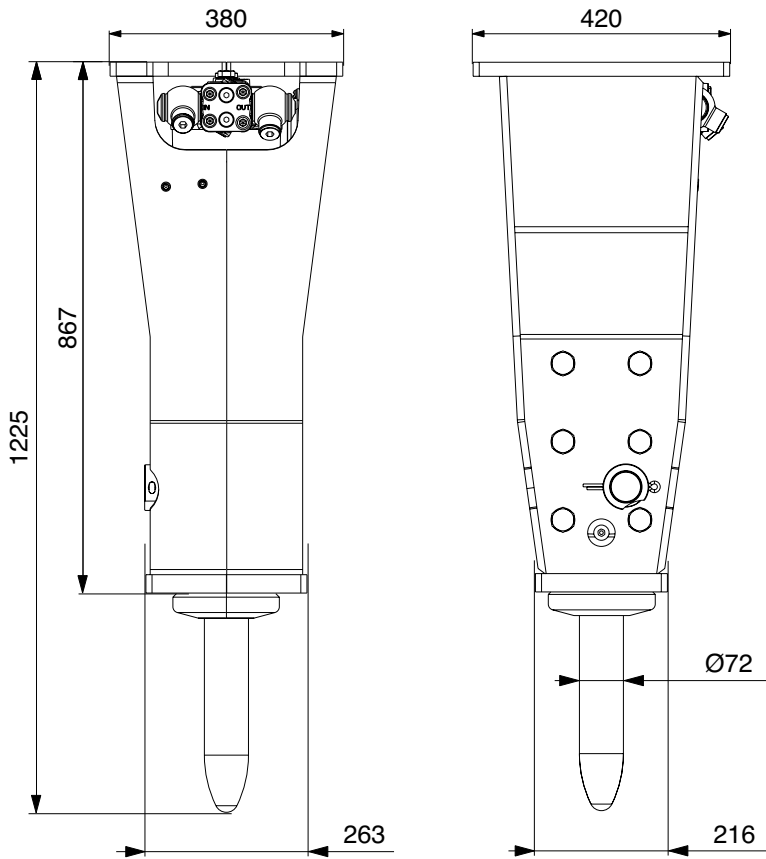
PATENTED TOOL SEALING

## SCALER RANGE

Scaling is one of the most demanding applications for a small hammer, because rather than working at the optimal 90 degree angle to the target material, in scaling the working angle can be anywhere between 0-180 degrees.

Rammer's range of scaling hammers is unique amongst small hammer ranges. Rammer's small hammers come equipped with channels and piping for automatic tool and tool bushing greasing, and for air to protect the hammer's internal parts from dust, as well as connection points for water for environmental dust suppression.

**Ram  
mer**<sup>®</sup>



## SPECIFICATIONS

Minimum working weight, flange mounted, kg (lb)	320 (710)
Impact rate, bpm	600-1800
Operating pressure, bar (psi)	80-130 (1160-1885)
Pressure relief, max bar (psi)	220 (3190)
Oil flow range, l/min (gal/min)	35-90 (9.2-23.8)
Back pressure, max bar (psi)	20 (290)
Input power, kW (hp)	19.5 (26)
Tool diameter, mm (in)	72 (2.83)
Miniexcavator weight, allowed range t (lb)	3.2-8.0 (7100-17600)
Skid steer, robot weight, allowed range t (lb)	1.9-5.3 (4200-11700)
Noise level, measured sound power level, LWA dB	127
Noise level, guaranteed sound power level, LWA dB	131

## TOOLS

Chisel	Pyramid
Long Chisel	Moil point

## PARTS

Special Tool Grease (black)

## ACCESSORIES

AGW (Air, Grease & Water)

RD3/MyFleet

Ramlube I

Rammer Water-Jet

Ramair

Sandvik Mining and Construction Oy  
 Taivalkatu 8, P.O.Box 165  
 FI-15101 Lahti, Finland  
 Phone Int. +358 205 44 151  
 rammer@sandvik.com  
 www.rammer.com

