

RAMMER 777E SCALER



EXCELLENCE LINE

ROBUST SIDE PLATE DESIGN

CBE
(CONSTANT BLOW ENERGY)

OPTIMIZED OPERATING
PRESSURE (SCALER)

SINGLE PART TOOL
BUSHING RETAINED WITH
SHARED TOOL PIN

CONNECTION FOR
EXTERNAL LUBRICATION

CONNECTION FOR
EXTERNAL AIR SUPPLY

CONNECTION FOR EXTERNAL
WATER SUPPLY

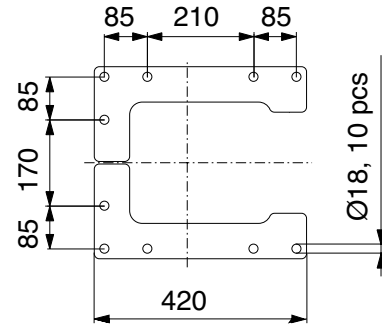
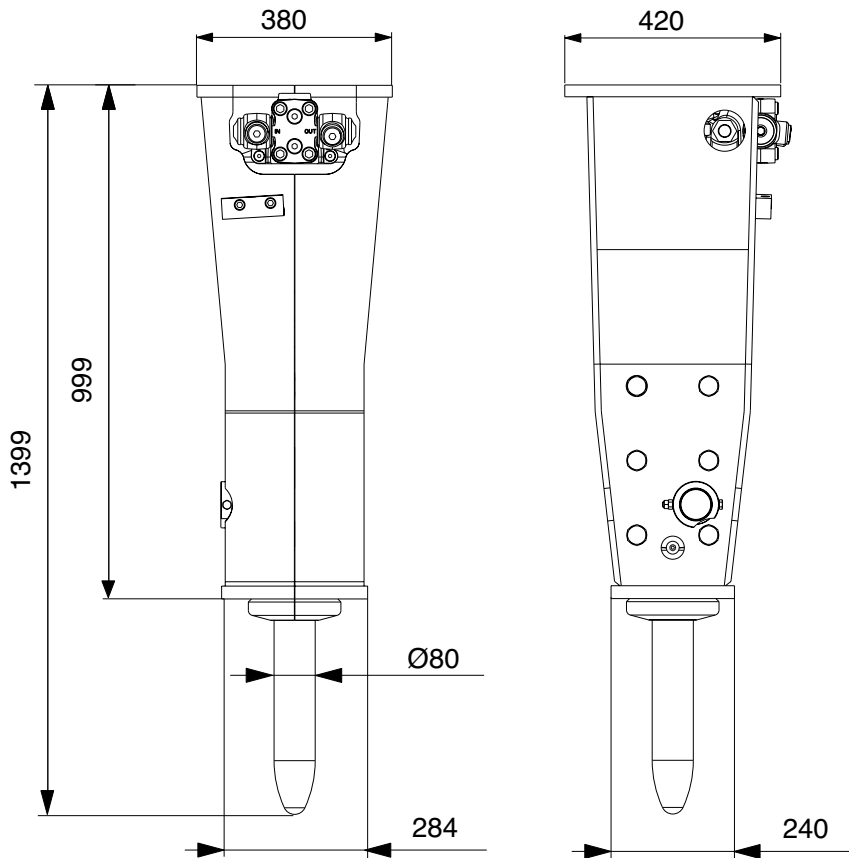
PATENTED TOOL SEALING

SCALER RANGE

Scaling is one of the most demanding applications for a small hammer, because rather than working at the optimal 90 degree angle to the target material, in scaling the working angle can be anywhere between 0-180 degrees.

Rammer's range of scaling hammers is unique amongst small hammer ranges. Rammer's small hammers come equipped with channels and piping for automatic tool and tool bushing greasing, and for air to protect the hammer's internal parts from dust, as well as connection points for water for environmental dust suppression.

**Ram
mer**[®]



SPECIFICATIONS

Minimum working weight, flange mounted, kg (lb)	415 (910)
Impact rate, bpm	500-1700
Operating pressure, bar (psi)	80-130 (1160-1885)
Pressure relief, max bar (psi)	220 (3190)
Oil flow range, l/min (gal/min)	40-120 (10.6-31.7)
Back pressure, max bar (psi)	20 (290)
Input power, kW (hp)	26 (35)
Tool diameter, mm (in)	80 (3.15)
Miniexcavator weight, allowed range t (lb)	4.3-9.5 (9500-20900)
Skid steer, robot weight, allowed range t (lb)	2.6-6.3 (5700-13900)
Noise level, measured sound power level, LWA dB	130
Noise level, guaranteed sound power level, LWA dB	134

TOOLS

Long Chisel

PARTS

Special Tool Grease (black)

ACCESSORIES

AGW (Air, Grease & Water)

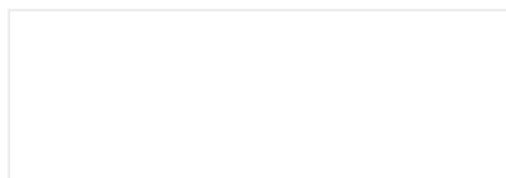
RD3/MyFleet

Ramlube I

Rammer Water-Jet

Ramair

Sandvik Mining and Construction Oy
 Taivalkatu 8, P.O.Box 165
 FI-15101 Lahti, Finland
 Phone Int. +358 205 44 151
 rammer@sandvik.com
 www.rammer.com



Rammer[®]